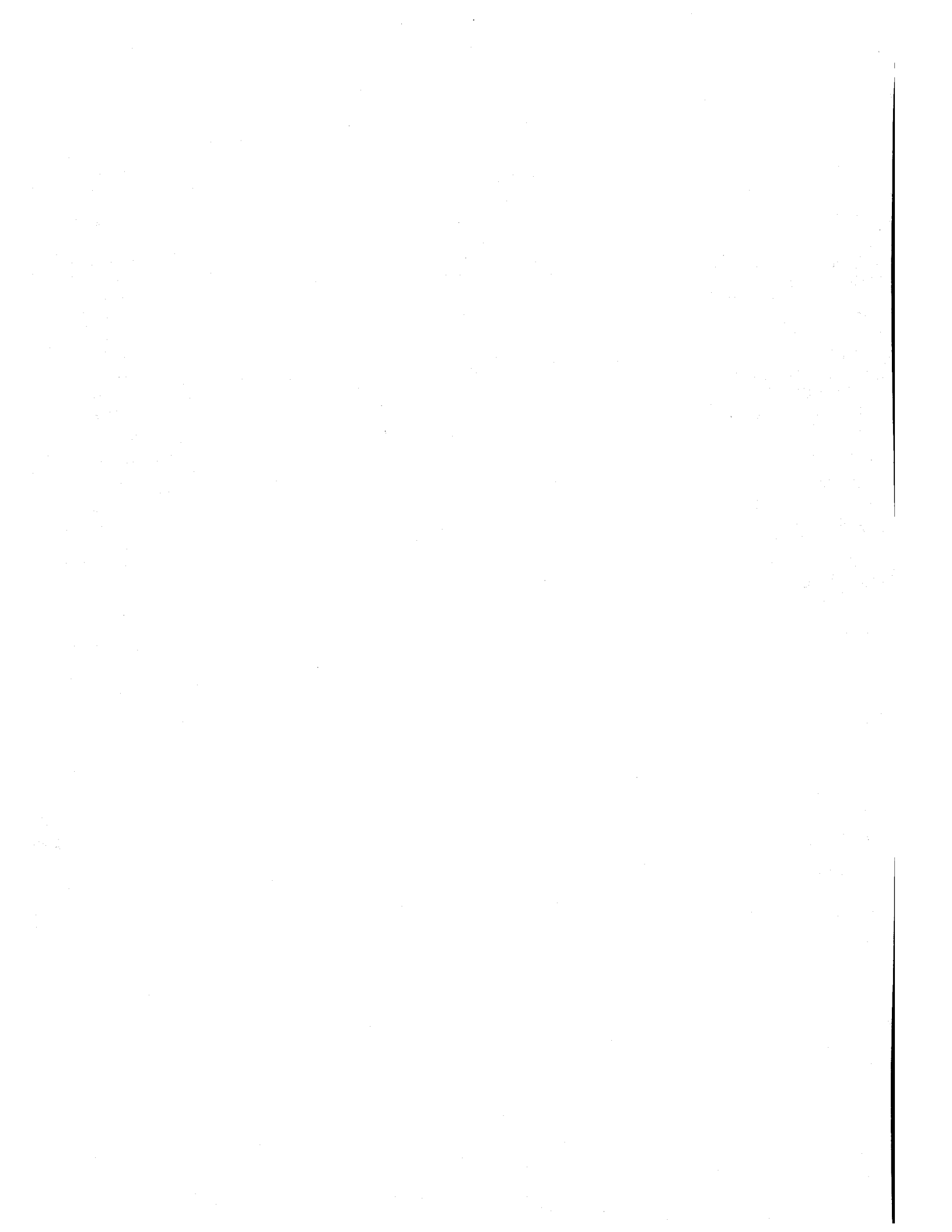


# WIRING DIAGRAMS

## CONTENTS

	page		page
AIR CONDITIONING/HEATER .....	8W-42-1	POWER DISTRIBUTION .....	8W-10-1
AIRBAG SYSTEM .....	8W-43-1	POWER DOOR LOCKS .....	8W-61-1
ALL-WHEEL ANTI-LOCK BRAKES .....	8W-35-1	POWER MIRRORS .....	8W-62-1
AUDIO SYSTEM .....	8W-47-1	POWER SEAT .....	8W-63-1
CENTRAL TIMER MODULE .....	8W-45-1	POWER WINDOWS .....	8W-60-1
CHARGING SYSTEM .....	8W-20-1	REAR LIGHTING .....	8W-51-1
COMPONENT INDEX .....	8W-02-1	REAR WHEEL ANTI-LOCK BRAKES .....	8W-34-1
CONNECTOR LOCATIONS .....	8W-90-1	RESTRAINT SYSTEM .....	8W-67-1
CONNECTOR PIN-OUTS .....	8W-80-1	SPLICE INFORMATION .....	8W-70-1
FRONT LIGHTING .....	8W-50-1	SPLICE LOCATIONS .....	8W-95-1
FUEL/IGNITION SYSTEMS .....	8W-30-1	STARTING SYSTEM .....	8W-21-1
GENERAL INFORMATION .....	8W-01-1	TRAILER TOW .....	8W-54-1
GROUND DISTRIBUTION .....	8W-15-1	TRANSMISSION CONTROLS .....	8W-31-1
HORN/CIGAR LIGHTER/POWER OUTLET .....	8W-41-1	TURN SIGNALS .....	8W-52-1
INSTRUMENT CLUSTER .....	8W-40-1	VEHICLE SPEED CONTROL .....	8W-33-1
INTERIOR LIGHTING .....	8W-44-1	VEHICLE THEFT SECURITY SYSTEM .....	8W-39-1
JUNCTION BLOCK .....	8W-12-1	WIPERS .....	8W-53-1
OVERHEAD CONSOLE .....	8W-49-1		



## 8W-01 GENERAL INFORMATION

### INDEX

	page		page
<b>DESCRIPTION AND OPERATION</b>		<b>TROUBLESHOOTING TOOLS</b> .....	8
CIRCUIT FUNCTIONS .....	4	<b>TROUBLESHOOTING WIRING PROBLEMS</b> ....	10
CIRCUIT INFORMATION .....	4	<b>SERVICE PROCEDURES</b>	
CONNECTOR INFORMATION .....	7	CONNECTOR AND TERMINAL REPLACEMENT .	12
ELECTROSTATIC DISCHARGE (ESD)		CONNECTOR REPLACEMENT .....	11
SENSITIVE DEVICES .....	8	DIODE REPLACEMENT .....	14
INTRODUCTION .....	1	TERMINAL REPLACEMENT .....	13
NOTES, CAUTIONS, and WARNINGS .....	7	TERMINAL/CONNECTOR REPAIR—MOLEX	
SECTION IDENTIFICATION .....	5	CONNECTORS .....	11
SPLICE LOCATIONS .....	7	TERMINAL/CONNECTOR REPAIR—THOMAS	
SYMBOLS .....	5	AND BETTS CONNECTORS .....	11
TAKE OUTS .....	8	WIRING REPAIR .....	10
<b>DIAGNOSIS AND TESTING</b>		<b>SPECIAL TOOLS</b>	
INTERMITTENT AND POOR CONNECTIONS ....	8	WIRING/TERMINAL .....	14
TROUBLESHOOTING TESTS .....	9		

## DESCRIPTION AND OPERATION

### INTRODUCTION

Chrysler wiring diagrams are designed to provide information regarding the vehicles wiring content. In order to effectively use Chrysler wiring diagrams to diagnose and repair a Chrysler vehicle, it is important to understand all of their features and characteristics.

Diagrams are arranged such that the power (B+) side of the circuit is placed near the top of the page, and the ground (B-) side of the circuit is placed near the bottom of the page.

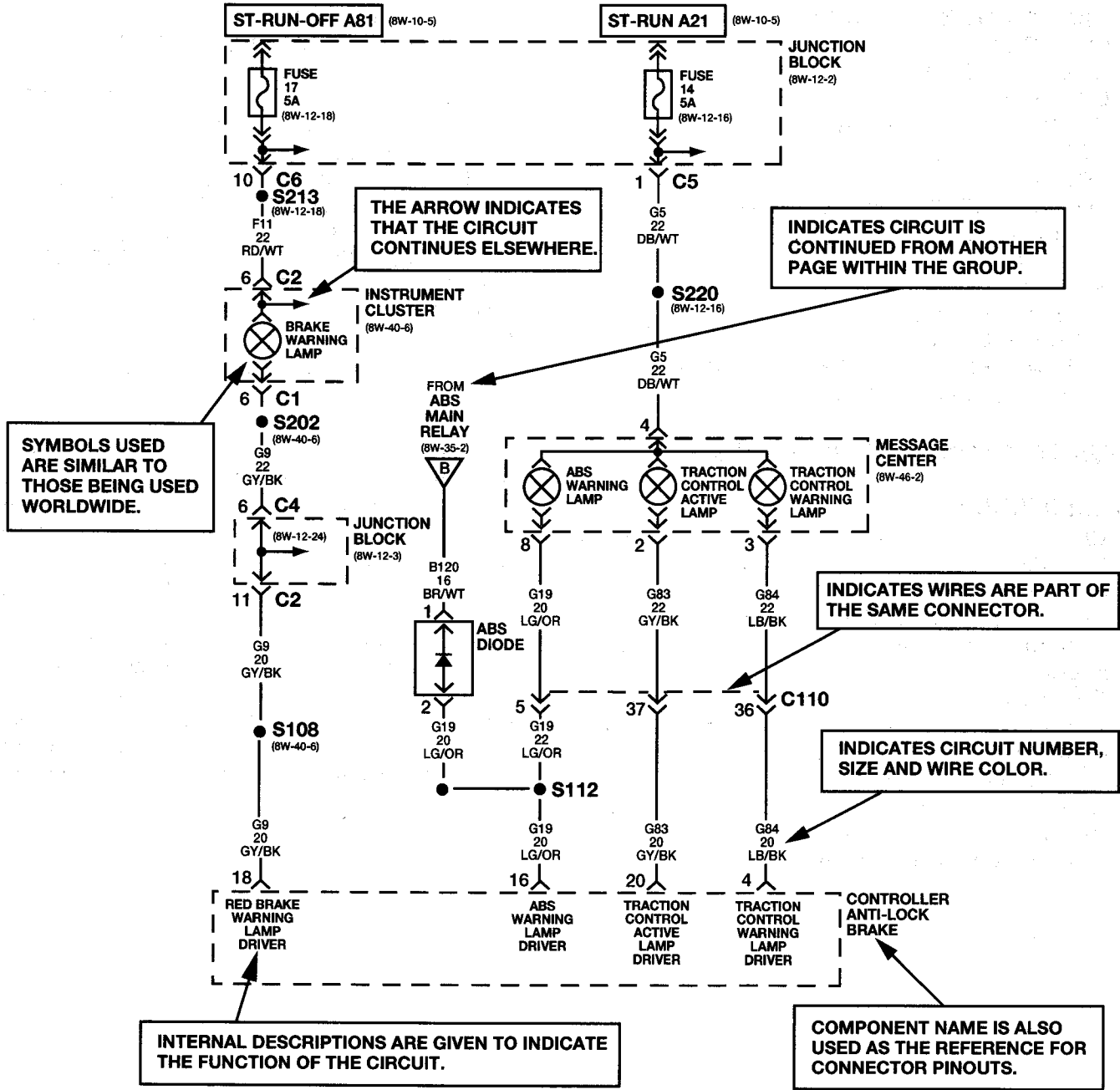
All switches, components, and modules are shown in the at rest position with the doors closed and the key removed from the ignition.

Components are shown two ways. A solid line around a component indicates that the component is complete. A dashed line around a component indicates that the component being shown is not complete. Incomplete components have a reference number to indicate the page where the component is shown complete.

It is important to realize that no attempt is made on the diagrams to represent components and wiring as they appear on the vehicle. For example, a short piece of wire is treated the same as a long one. In addition, switches and other components are shown as simply as possible, with regard to function only.

DESCRIPTION AND OPERATION (Continued)

DIAGRAMS ARE ARRANGED WITH THE POWER B+ SIDE OF THE CIRCUIT NEAR THE TOP OF THE PAGE, AND THE GROUND SIDE OF THE CIRCUIT NEAR THE BOTTOM OF THE PAGE.



THE ARROW INDICATES THAT THE CIRCUIT CONTINUES ELSEWHERE.

INDICATES CIRCUIT IS CONTINUED FROM ANOTHER PAGE WITHIN THE GROUP.

SYMBOLS USED ARE SIMILAR TO THOSE BEING USED WORLDWIDE.

INDICATES WIRES ARE PART OF THE SAME CONNECTOR.

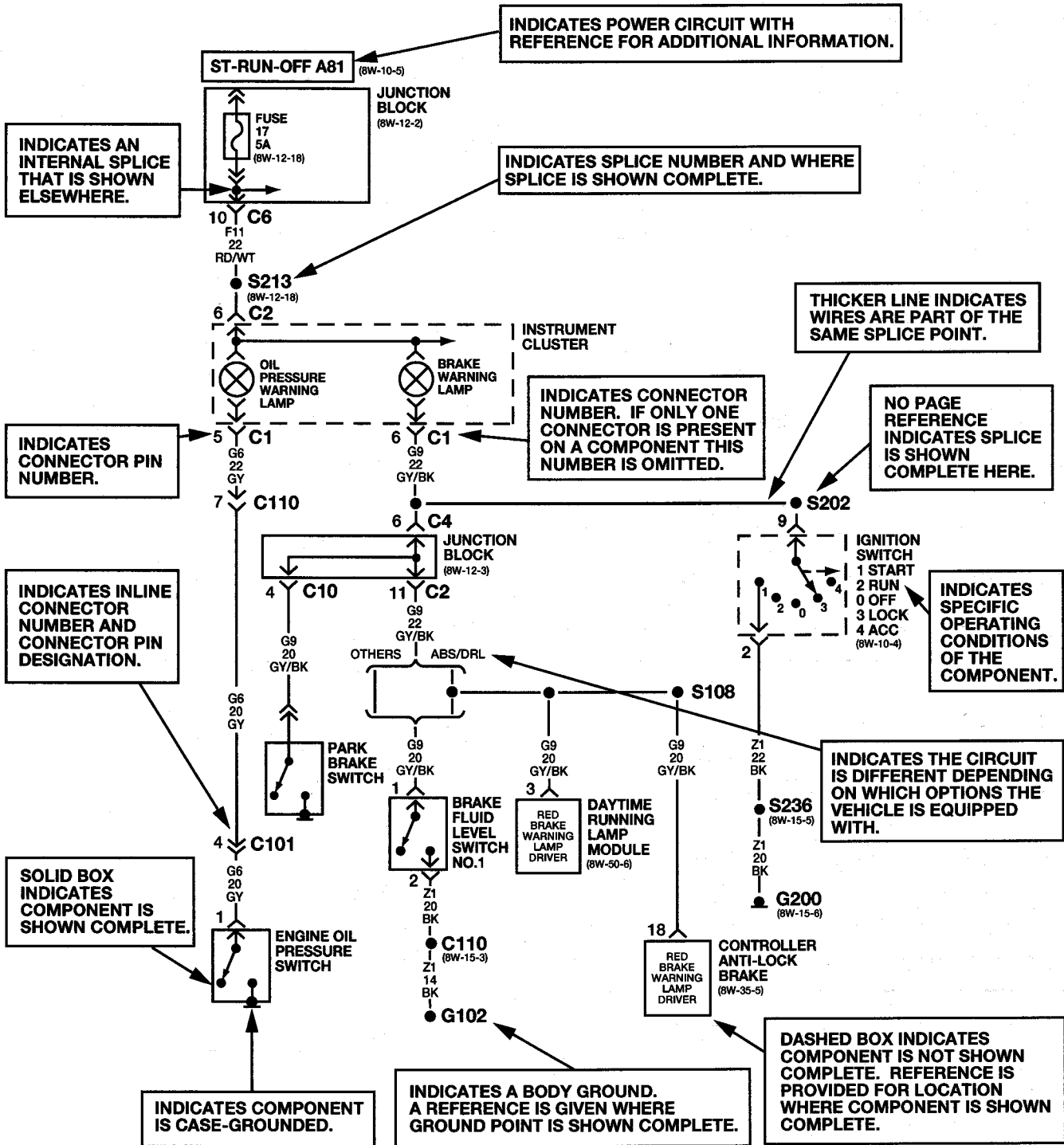
INDICATES CIRCUIT NUMBER, SIZE AND WIRE COLOR.

INTERNAL DESCRIPTIONS ARE GIVEN TO INDICATE THE FUNCTION OF THE CIRCUIT.

COMPONENT NAME IS ALSO USED AS THE REFERENCE FOR CONNECTOR PINOUTS.



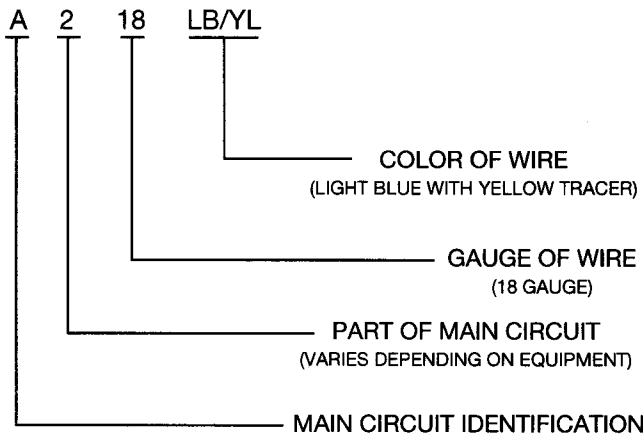
**DESCRIPTION AND OPERATION (Continued)**



**DESCRIPTION AND OPERATION (Continued)**

**CIRCUIT INFORMATION**

Each wire shown in the diagrams contains a code which identifies the main circuit, part of the main circuit, gauge of wire, and color (Fig. 1).



80aff571

**Fig. 1 Wire Code Identification**

COLOR CODE	COLOR	STANDARD TRACER COLOR
BL	BLUE	WT
BK	BLACK	WT
BR	BROWN	WT
DB	DARK BLUE	WT
DG	DARK GREEN	WT
GY	GRAY	BK
LB	LIGHT BLUE	BK
LG	LIGHT GREEN	BK
OR	ORANGE	BK
PK	PINK	BK or WT
RD	RED	WT
TN	TAN	WT
VT	VIOLET	WT
WT	WHITE	BK
YL	YELLOW	BK
*	WITH TRACER	

**CIRCUIT FUNCTIONS**

All circuits in the diagrams use an alpha/numeric code to identify the wire and its function. To identify which circuit code applies to a system, refer to the Circuit Identification Code Chart. This chart shows the main circuits only and does not show the secondary codes that may apply to some models.

CIRCUIT	FUNCTION
A	BATTERY FEED
B	BRAKE CONTROLS
C	CLIMATE CONTROLS
D	DIAGNOSTIC CIRCUITS
E	DIMMING ILLUMINATION CIRCUITS
F	FUSED CIRCUITS
G	MONITORING CIRCUITS (GAUGES)
H	OPEN
I	NOT USED
J	OPEN
K	POWERTRAIN CONTROL MODULE
L	EXTERIOR LIGHTING
M	INTERIOR LIGHTING
N	NOT USED
O	NOT USED
P	POWER OPTION (BATTERY FEED)
Q	POWER OPTIONS (IGNITION FEED)
R	PASSIVE RESTRAINT
S	SUSPENSION/STEERING
T	TRANSMISSION/TRANSAXLE/ TRANSFER CASE
U	OPEN
V	SPEED CONTROL, WIPER/WASHER
W	OPEN
X	AUDIO SYSTEMS
Y	OPEN
Z	GROUND

**DESCRIPTION AND OPERATION (Continued)****SECTION IDENTIFICATION**



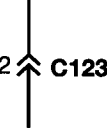



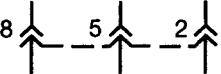




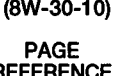








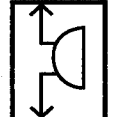
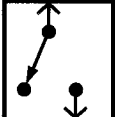
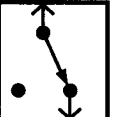




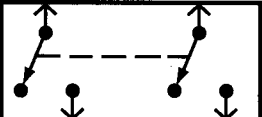
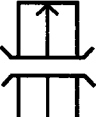

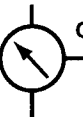

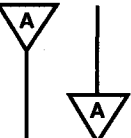


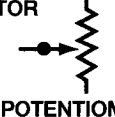


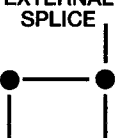
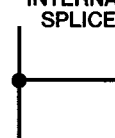
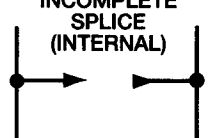









The wiring diagrams are grouped into individual sections. If a component is most likely found in a particular group, it will be shown complete (all wires, connectors, and pins) within that group. For example, the Auto Shutdown Relay is most likely to be found in Group 30, so it is shown there complete. It can, however, be shown partially in another group if it contains some associated wiring.

**SYMBOLS**

International symbols are used throughout the wiring diagrams. These symbols are consistent with those being used around the world

GROUP	TOPIC
8W-01 thru 8W-09	General Information and Diagram Overview
8W-10 thru 8W-19	Main Sources of Power and Vehicle Grounding
8W-20 thru 8W-29	Starting and Charging
8W-30 thru 8W-39	Powertrain/Drivetrain Systems
8W-40 thru 8W-49	Body Electrical items and A/C
8W-50 thru 8W-59	Exterior Lighting, Wipers, and Trailer Tow
8W-60 thru 8W-69	Power Accessories
8W-70	Splice Information
8W-80	Connector Pin Outs
8W-90	Connector Locations (including grounds)
8W-95	Splice Locations

**DESCRIPTION AND OPERATION (Continued)**

 BATTERY  GENERATOR STATOR COILS	 IN-LINE CONNECTORS 2 $\uparrow$ C123      2 $\downarrow$ C123
 FUSIBLE LINK  FUSE  CIRCUIT BREAKER	 MULTIPLE CONNECTOR 8 $\uparrow$ - 5 $\uparrow$ - 2 $\uparrow$ C123  MALE CONNECTOR 4 $\uparrow$ C1  FEMALE CONNECTOR 6 $\downarrow$ C3
 BATT A0 HOT BAR  CHOICE BRACKET  (8W-30-10) PAGE REFERENCE	 SINGLE FILAMENT LAMP  DUAL FILAMENT LAMP  ANTENNA
 CLOCKSPrING  GROUND G101  SCREW TERMINAL	 NPN TRANSISTOR  PNP TRANSISTOR  TONE GENERATOR
 OPEN SWITCH  CLOSED SWITCH	 LED  PHOTODIODE  DIODE  ZENER DIODE
 GANGED SWITCH  SLIDING DOOR CONTACT	 OXYGEN SENSOR  GAUGE  PIEZOELECTRIC CELL
 WIRE ORIGIN & DESTINATION SHOWN WITHIN CELL  WIRE DESTINATION SHOWN IN ANOTHER CELL	 RESISTOR  POTENTIOMETER  VARIABLE RESISTOR  HEATER ELEMENT
 EXTERNAL SPLICE S350  INTERNAL SPLICE  INCOMPLETE SPLICE (INTERNAL)	 NON-POLARIZED CAPACITOR  POLARIZED CAPACITOR  VARIABLE CAPACITOR
 ONE SPEED MOTOR  TWO SPEED MOTOR  REVERSIBLE MOTOR	 COIL  SOLENOID  SOLENOID VALVE

## DESCRIPTION AND OPERATION (Continued)

### CONNECTOR INFORMATION

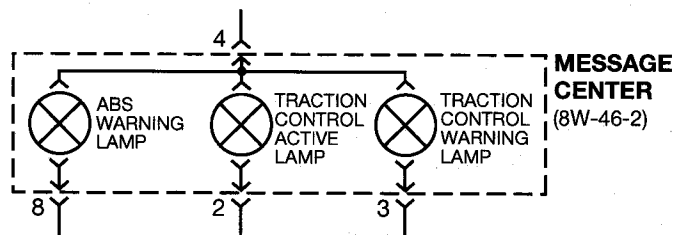
**CAUTION:** Not all connectors are serviced. Some connectors are serviced only with a harness. A typical example might be the Supplemental Restraint System connectors. Always check parts availability before attempting a repair.

#### IDENTIFICATION

In-line connectors are identified by a number, as follows:

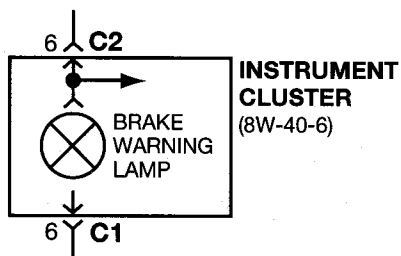
- In-line connectors located on the **engine compartment harness** are **C100** series numbers.
- Connectors located on the **instrument panel harness** are **C200** series numbers.
- Connectors located on the **body harness** are **C300** series numbers.
- **Jumper harness connectors** are **C400** series numbers.
- **Grounds and ground connectors** are identified with a "G" and follow the same series numbering as the in-line connector.

Component connectors are identified by the component name instead of a number (Fig. 2). Multiple connectors on a component use a C1, C2, etc. identifier (Fig. 3).



80aff5a3

Fig. 2 Component Identification



80aff5a4

Fig. 3 Connector Identification

### LOCATIONS

Section 8W-90 contains connector/ground location illustrations. The illustrations contain the connector name (or number)/ground number and component identification. Connector/ground location charts in Section 8W-90 reference the illustration number for components and connectors.

Section 8W-80 shows each connector and the circuits involved with that connector. The connectors are identified using the name/number on the Diagram pages.

### SPLICE LOCATIONS

Splice Location charts in Section 8W-70 show the entire splice, and provide references to other sections the splice serves.

Section 8W-95 contains illustrations that show the general location of the splices in each harness. The illustrations show the splice by number, and provide a written location.

### NOTES, CAUTIONS, and WARNINGS

Throughout this group additional important information is presented in three ways; Notes, Cautions, and Warnings.

**NOTES** are used to help describe how switches or components operate to complete a particular circuit. They are also used to indicate different conditions that may appear on the vehicle. For example, an up-to and after condition.

**CAUTIONS** are used to indicate information that could prevent making an error that may damage the vehicle.

**WARNINGS** provide information to prevent personal injury and vehicle damage. Below is a list of general warnings that should be followed any time a vehicle is being serviced.

**WARNING: ALWAYS WEAR SAFETY GLASSES FOR EYE PROTECTION.**

**WARNING: USE SAFETY STANDS ANYTIME A PROCEDURE REQUIRES BEING UNDER A VEHICLE.**

**WARNING: BE SURE THAT THE IGNITION SWITCH ALWAYS IS IN THE OFF POSITION, UNLESS THE PROCEDURE REQUIRES IT TO BE ON.**

**WARNING: SET THE PARKING BRAKE WHEN WORKING ON ANY VEHICLE. AN AUTOMATIC TRANSMISSION SHOULD BE IN PARK. A MANUAL TRANSMISSION SHOULD BE IN NEUTRAL.**

**WARNING: OPERATE THE ENGINE ONLY IN A WELL-VENTILATED AREA.**

**WARNING: KEEP AWAY FROM MOVING PARTS WHEN THE ENGINE IS RUNNING, ESPECIALLY THE FAN AND BELTS.**

## DESCRIPTION AND OPERATION (Continued)

**WARNING: TO PREVENT SERIOUS BURNS, AVOID CONTACT WITH HOT PARTS SUCH AS THE RADIATOR, EXHAUST MANIFOLD(S), TAIL PIPE, CATALYTIC CONVERTER, AND MUFFLER.**

**WARNING: DO NOT ALLOW FLAME OR SPARKS NEAR THE BATTERY. GASES ARE ALWAYS PRESENT IN AND AROUND THE BATTERY.**

**WARNING: ALWAYS REMOVE RINGS, WATCHES, LOOSE HANGING JEWELRY, AND LOOSE CLOTHING.**

### TAKE OUTS

The abbreviation T/O is used in the component location section to indicate a point in which the wiring harness branches out to a component.

### ELECTROSTATIC DISCHARGE (ESD) SENSITIVE DEVICES

All ESD sensitive components are solid state and a symbol (Fig. 4) is used to indicate this. When handling any component with this symbol comply with the following procedures to reduce the possibility of electrostatic charge build up on the body and inadvertent discharge into the component. If it is not known whether the part is ESD sensitive, assume that it is.

(1) Always touch a known good ground before handling the part. This should be repeated while handling the part and more frequently after sliding across a seat, sitting down from a standing position, or walking a distance.

(2) Avoid touching electrical terminals of the part, unless instructed to do so by a written procedure.

(3) When using a voltmeter, be sure to connect the ground lead first.

(4) Do not remove the part from its protective packing until it is time to install the part.

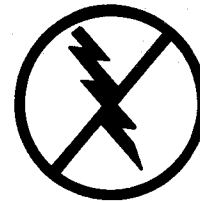
(5) Before removing the part from its package, ground the package to a known good ground on the vehicle.

## DIAGNOSIS AND TESTING

### TROUBLESHOOTING TOOLS

When diagnosing a problem in an electrical circuit there are several common tools necessary. These tools are listed and explained below.

- Jumper Wire - This is a test wire used to connect two points of a circuit. It can be used to bypass an open in a circuit.



948W-193

*Fig. 4 Electrostatic Discharge Symbol*

**WARNING: NEVER USE A JUMPER WIRE ACROSS A LOAD, SUCH AS A MOTOR, CONNECTED BETWEEN A BATTERY FEED AND GROUND.**

- Voltmeter - Used to check for voltage on a circuit. Always connect the black lead to a known good ground and the red lead to the positive side of the circuit.

**CAUTION: Most of the electrical components used in today's vehicle are solid state. When checking voltages in these circuits use a meter with a 10-megohm or greater impedance rating.**

- Ohmmeter - Used to check the resistance between two points of a circuit. Low or no resistance in a circuit means good continuity.

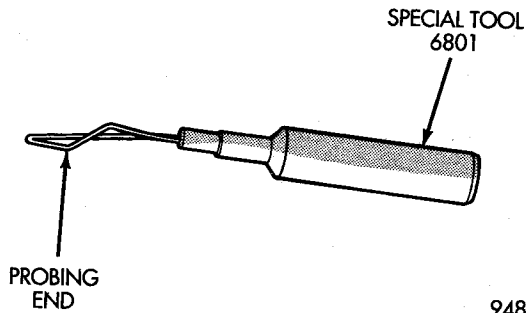
**CAUTION: - Most of the electrical components used in today's vehicle are Solid State. When checking resistance in these circuits use a meter with a 10-megohm or greater impedance rating. In addition, make sure the power is disconnected from the circuit. Circuits that are powered up by the vehicle electrical system can cause damage to the equipment and provide false readings.**

- Probing Tools - These tools are used for probing terminals in connectors (Fig. 5). Select the proper size tool from Special Tool Package 6807, and insert it into the terminal being tested. Use the other end of the tool to insert the meter probe.

### INTERMITTENT AND POOR CONNECTIONS

Most intermittent electrical problems are caused by faulty electrical connections or wiring. It is also possible for a sticking component or relay to cause a problem. Before condemning a component or wiring assembly check the following items.

- Connectors are fully seated
- Spread terminals, or terminal push out
- Terminals in the wiring assembly are fully seated into the connector/component and locked in position

**DIAGNOSIS AND TESTING (Continued)**

948W-233

**Fig. 5 Probing Tool**

- Dirt or corrosion on the terminals. Any amount of corrosion or dirt could cause an intermittent problem
- Damaged connector/component casing exposing the item to dirt and moisture
- Wire insulation that has rubbed through causing a short to ground
- Some or all of the wiring strands broken inside of the insulation covering.
- Wiring broken inside of the insulation

**TROUBLESHOOTING TESTS**

Before beginning any tests on a vehicles electrical system use the Wiring Diagrams and study the circuit. Also refer to the Troubleshooting Wiring Problems in this section.

**TESTING FOR VOLTAGE POTENTIAL**

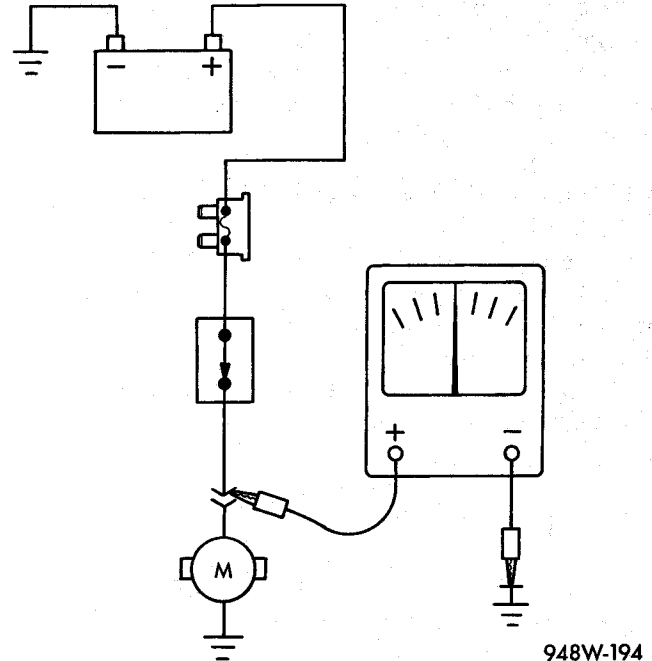
- (1) Connect the ground lead of a voltmeter to a known good ground (Fig. 6).
- (2) Connect the other lead of the voltmeter to the selected test point. The vehicle ignition may need to be turned ON to check voltage. Refer to the appropriate test procedure.

**TESTING FOR CONTINUITY**

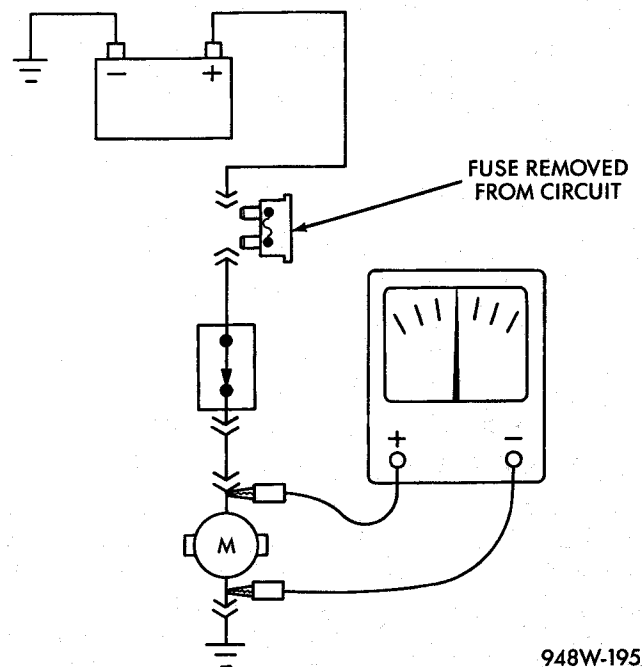
- (1) Remove the fuse for the circuit being checked or, disconnect the battery.
- (2) Connect one lead of the ohmmeter to one side of the circuit being tested (Fig. 7).
- (3) Connect the other lead to the other end of the circuit being tested. Low or no resistance means good continuity.

**TESTING FOR A SHORT TO GROUND**

- (1) Remove the fuse and disconnect all items involved with the fuse.
- (2) Connect a test light or a voltmeter across the terminals of the fuse.
- (3) Starting at the fuse block, wiggle the wiring harness about six to eight inches apart and watch the voltmeter/test lamp.



948W-194

**Fig. 6 Testing for Voltage Potential**

948W-195

**Fig. 7 Testing for Continuity**

- (4) If the voltmeter registers voltage or the test lamp glows, there is a short to ground in that general area of the wiring harness.

**TESTING FOR A SHORT TO GROUND ON FUSES POWERING SEVERAL LOADS**

- (1) Refer to the wiring diagrams and disconnect or isolate all items on the suspected fused circuits.
- (2) Replace the blown fuse.

## DIAGNOSIS AND TESTING (Continued)

(3) Supply power to the fuse by turning ON the ignition switch or re-connecting the battery.

(4) Start connecting the items in the fuse circuit one at a time. When the fuse blows the circuit with the short to ground has been isolated.

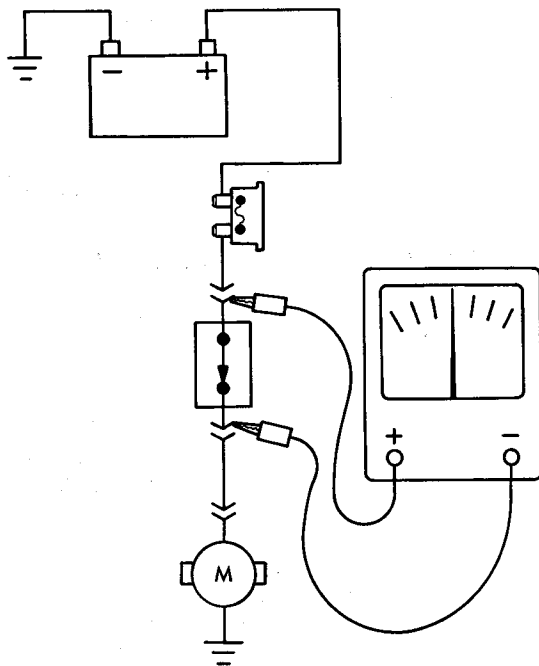
### TESTING FOR A VOLTAGE DROP

(1) Connect the positive lead of the voltmeter to the side of the circuit closest to the battery (Fig. 8).

(2) Connect the other lead of the voltmeter to the other side of the switch or component.

(3) Operate the item.

(4) The voltmeter will show the difference in voltage between the two points.



948W-196

Fig. 8 Testing for Voltage Drop

## TROUBLESHOOTING WIRING PROBLEMS

When troubleshooting wiring problems there are six steps which can aid in the procedure. The steps are listed and explained below. Always check for non-factory items added to the vehicle before doing any diagnosis. If the vehicle is equipped with these items, disconnect them to verify these add-on items are not the cause of the problem.

(1) Verify the problem.

(2) Verify any related symptoms. Do this by performing operational checks on components that are in the same circuit. Refer to the wiring diagrams.

(3) Analyze the symptoms. Use the wiring diagrams to determine what the circuit is doing, where the problem most likely is occurring and where the diagnosis will continue.

(4) Isolate the problem area.

(5) Repair the problem.

(6) Verify proper operation. For this step check for proper operation of all items on the repaired circuit. Refer to the wiring diagrams.

## SERVICE PROCEDURES

### WIRING REPAIR

When replacing or repairing a wire, it is important that the correct gage be used as shown in the wiring diagrams. The wires must also be held securely in place to prevent damage to the insulation.

(1) Disconnect battery negative cable

(2) Remove 1 inch of insulation from each end of the wire.

(3) Place a piece of heat shrink tubing over one side of the wire. Make sure the tubing will be long enough to cover and seal the entire repair area.

(4) Spread the strands of the wire apart on each part of the exposed wire (example 1). (Fig. 9)

(5) Push the two ends of wire together until the strands of wire are close to the insulation (example 2) (Fig. 9)

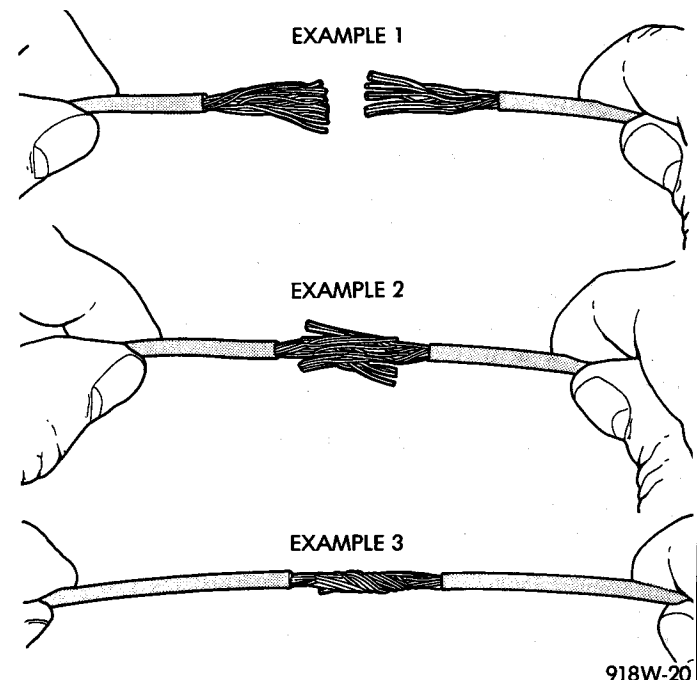
(6) Twist the wires together (example 3) (Fig. 9)

(7) Solder the connection together using rosin core type solder only. **Do not use acid core solder.**

(8) Center the heat shrink tubing over the joint, and heat using a heat gun. Heat the joint until the tubing is tightly sealed and sealant comes out of both ends of the tubing.

(9) Secure the wire to the existing ones to prevent chafing or damage to the insulation

(10) Connect battery and test all affected systems.



918W-20

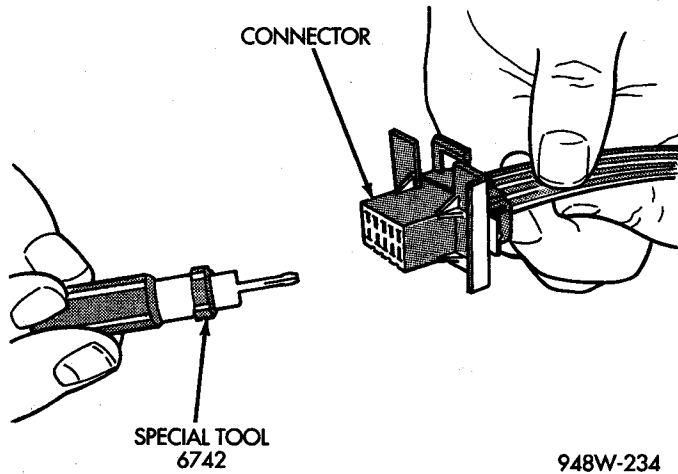
Fig. 9 Wire Repair



**SERVICE PROCEDURES (Continued)**

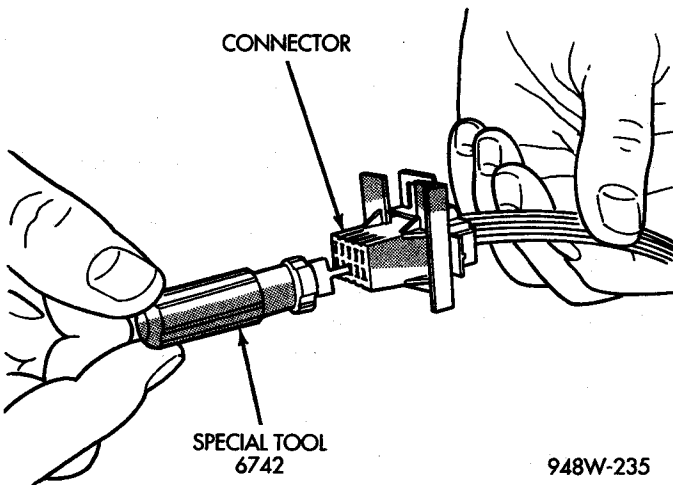
**TERMINAL/CONNECTOR REPAIR-MOLEX CONNECTORS**

- (1) Disconnect battery.
- (2) Disconnect the connector from its mating half/component.
- (3) Insert the terminal releasing special tool 6742 into the terminal end of the connector (Fig. 10).



**Fig. 10 Molex Connector Repair**

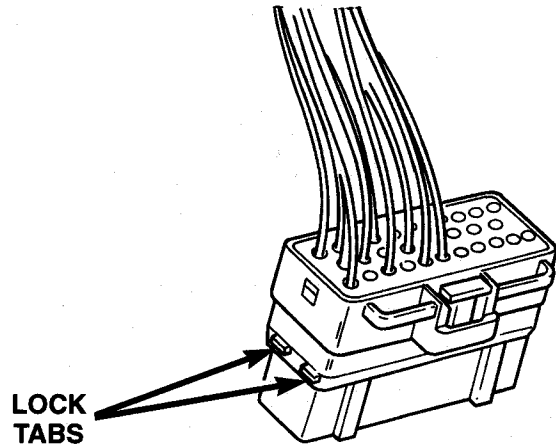
- (4) Using special tool 6742 release the locking fingers on the terminal (Fig. 11).
- (5) Pull on the wire to remove it from the connector.
- (6) Repair or replace the connector or terminal, as necessary.



**Fig. 11 Using Special Tool 6742**

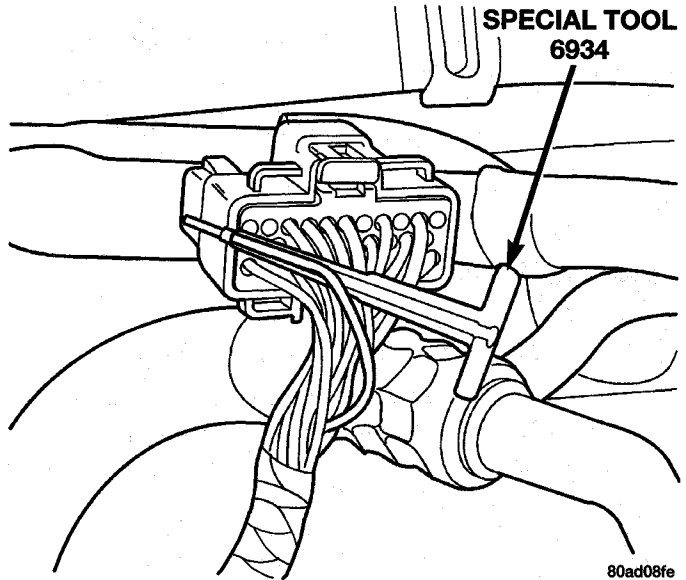
**TERMINAL/CONNECTOR REPAIR—THOMAS AND BETTS CONNECTORS**

- (1) Disconnect battery.
- (2) Disconnect the connector from its mating half/component.
- (3) Push in the two lock tabs on the side of the connector (Fig. 12).



**Fig. 12 Thomas and Betts Connector Lock Release Tabs**

- (4) Insert the probe end of special tool 6934 into the back of the connector cavity (Fig. 13).
- (5) Grasp the wire and tool 6934 and slowly remove the wire and terminal from the connector.

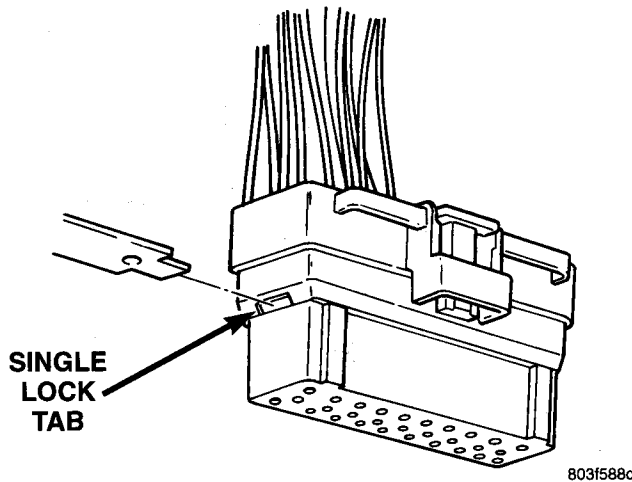
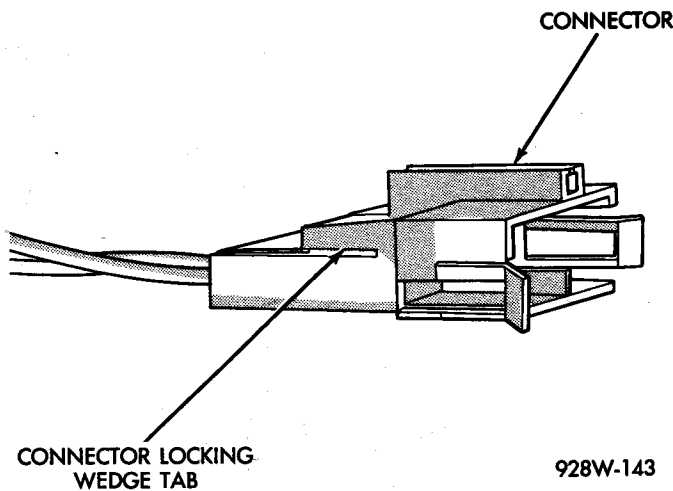


**Fig. 13 Removing Wire Terminal**

- (6) Repair or replace the terminal.
- (7) Install the wire and terminal in the connector. Fully seat the terminal in the connector.
- (8) Push in the single lock tab on the side of the connector (Fig. 14).

**CONNECTOR REPLACEMENT**

- (1) Disconnect battery.
- (2) Disconnect the connector that is to be repaired from its mating half/component
- (3) Remove the connector locking wedge, if required (Fig. 15)

**SERVICE PROCEDURES (Continued)****Fig. 14 Single Lock Tab****Fig. 15 Connector Locking Wedge**

(4) Position the connector locking finger away from the terminal using the proper pick from special tool kit 6680. Pull on the wire to remove the terminal from the connector (Fig. 16) (Fig. 17).

(5) Reset the terminal locking tang, if it has one.

(6) Insert the removed wire in the same cavity on the repair connector.

(7) Repeat steps four through six for each wire in the connector, being sure that all wires are inserted into the proper cavities. For additional connector pin-out identification, refer to the wiring diagrams.

(8) Insert the connector locking wedge into the repaired connector, if required.

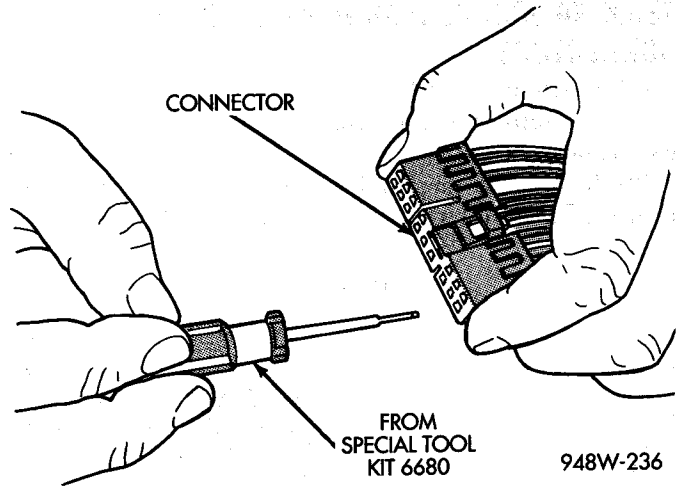
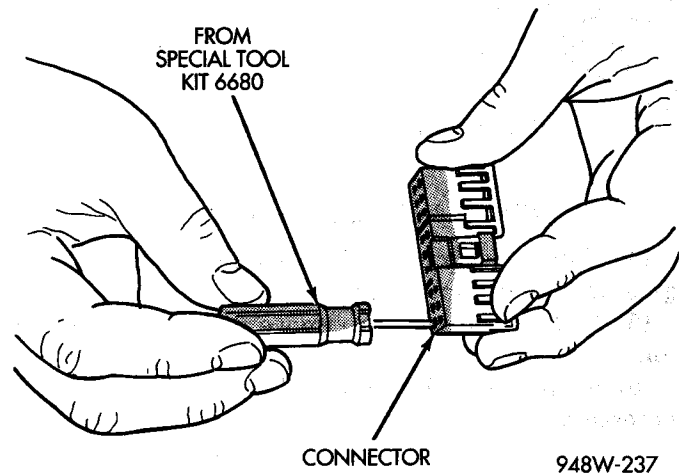
(9) Connect connector to its mating half/component.

(10) Connect battery and test all affected systems.

**CONNECTOR AND TERMINAL REPLACEMENT**

(1) Disconnect battery.

(2) Disconnect the connector (that is to be repaired) from its mating half/component.

**Fig. 16 Terminal Removal****Fig. 17 Terminal Removal Using Special Tool**

(3) Cut off the existing wire connector directly behind the insulator. Remove six inches of tape from the harness.

(4) Stagger cut all wires on the harness side at 1/2 inch intervals (Fig. 18).

(5) Remove 1 inch of insulation from each wire on the harness side.

(6) Stagger cut the matching wires on the repair connector assembly in the opposite order as was done on the harness side of the repair. Allow extra length for soldered connections. Check that the overall length is the same as the original (Fig. 18).

(7) Remove 1 inch of insulation from each wire.

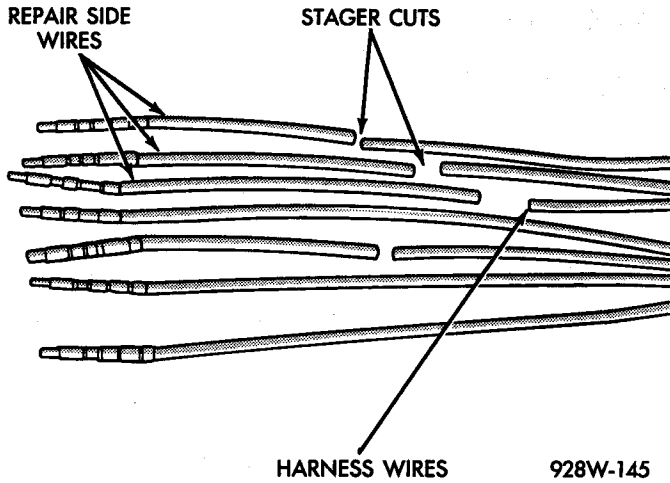
(8) Place a piece of heat shrink tubing over one side of the wire. Be sure the tubing will be long enough to cover and seal the entire repair area.

(9) Spread the strands of the wire apart on each part of the exposed wires.

(10) Push the two ends of wire together until the strands of wire are close to the insulation.

(11) Twist the wires together.

**SERVICE PROCEDURES (Continued)**

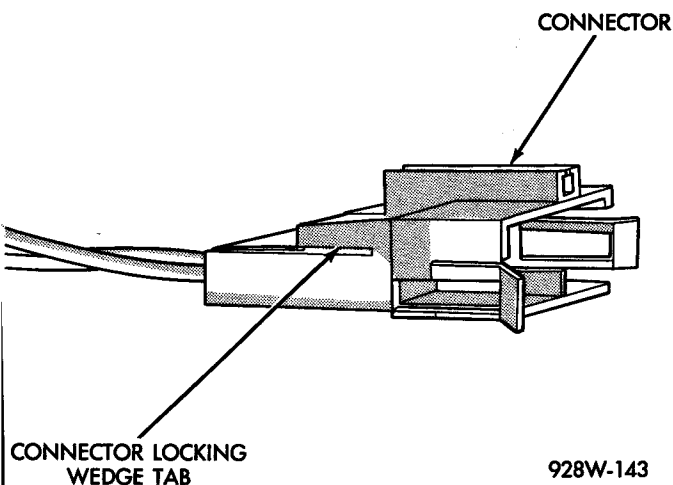


**Fig. 18 Stagger Cutting Wires**

- (12) Solder the connection together using rosin core type solder only. **Do not use acid core solder.**
- (13) Center the heat shrink tubing over the joint and heat using a heat gun. Heat the joint until the tubing is tightly sealed and sealant comes out of both ends of the tubing
- (14) Repeat steps 8 through 13 for each wire.
- (15) Re-tape the wire harness starting 1-1/2 inches behind the connector and 2 inches past the repair.
- (16) Re-connect the repaired connector.
- (17) Connect the battery, and test all affected systems.

**TERMINAL REPLACEMENT**

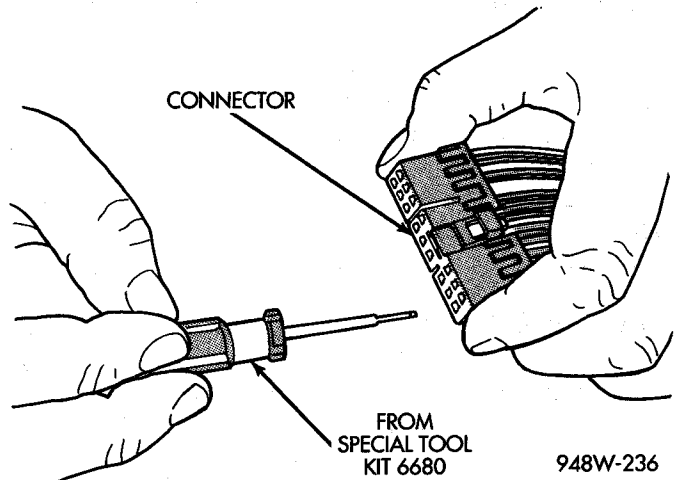
- (1) Disconnect battery.
- (2) Disconnect the connector being repaired from its mating half. Remove connector locking wedge, if required (Fig. 19).
- (3) Remove connector locking wedge, if required (Fig. 19).



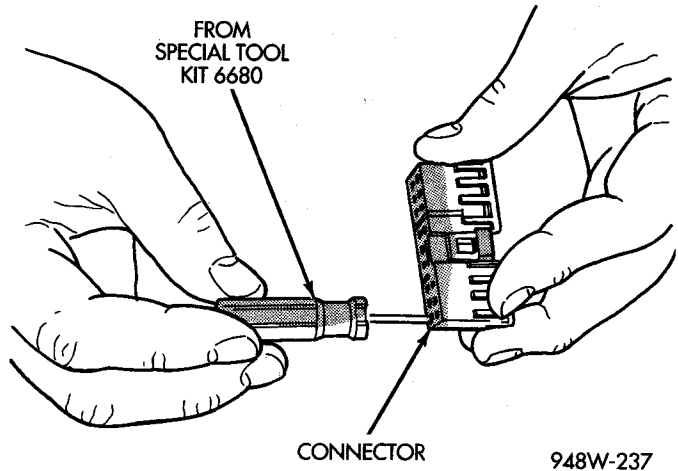
**Fig. 19 Connector Locking Wedge Tab (Typical)**

- (4) Position the connector locking finger away from the terminal using the proper pick from special

tool kit 6680. Pull on the wire to remove the terminal from the connector (Fig. 20) (Fig. 21).



**Fig. 20 Terminal Removal**



**Fig. 21 Terminal Removal Using Special Tool**

- (5) Cut the wire 6 inches from the back of the connector.
- (6) Remove 1 inch of insulation from the wire on the harness side.
- (7) Select a wire from the terminal repair assembly that best matches the color wire being repaired.
- (8) Cut the repair wire to the proper length and remove 1 inch of insulation.
- (9) Place a piece of heat shrink tubing over one side of the wire. Make sure the tubing will be long enough to cover and seal the entire repair area.
- (10) Spread the strands of the wire apart on each part of the exposed wires.
- (11) Push the two ends of wire together until the strands of wire are close to the insulation.
- (12) Twist the wires together.
- (13) Solder the connection together using rosin core type solder only. **Do not use acid core solder.**

## SERVICE PROCEDURES (Continued)

(14) Center the heat shrink tubing over the joint and heat using a heat gun. Heat the joint until the tubing is tightly sealed and sealant comes out of both ends of the tubing.

(15) Insert the repaired wire into the connector.

(16) Install the connector locking wedge, if required, and reconnect the connector to its mating half/component.

(17) Re-tape the wire harness starting 1-1/2 inches behind the connector and 2 inches past the repair.

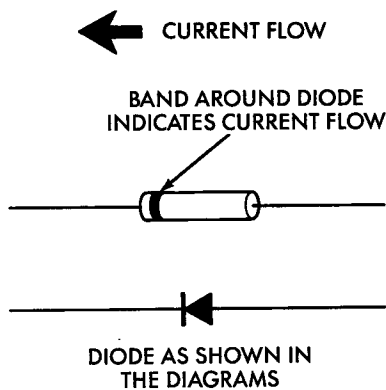
(18) Connect battery, and test all affected systems.

## DIODE REPLACEMENT

(1) Disconnect the battery.

(2) Locate the diode in the harness, and remove the protective covering.

(3) Remove the diode from the harness, pay attention to the current flow direction (Fig. 22).



948W-197

**Fig. 22 Diode Identification**

(4) Remove the insulation from the wires in the harness. Only remove enough insulation to solder in the new diode.

(5) Install the new diode in the harness, making sure current flow is correct. If necessary refer to the appropriate wiring diagram for current flow.

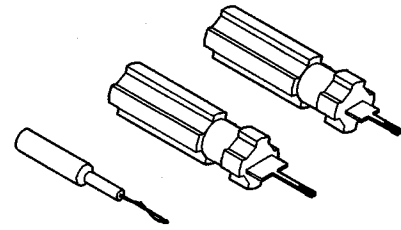
(6) Solder the connection together using rosin core type solder only. **Do not use acid core solder.**

(7) Tape the diode to the harness using electrical tape making, sure the diode is completely sealed from the elements.

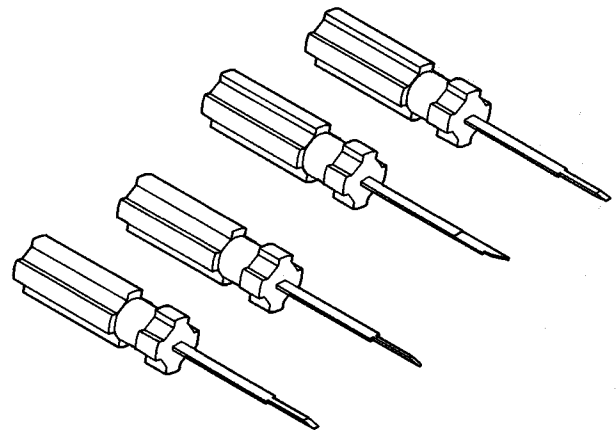
(8) Re-connect the battery, and test affected systems.

## SPECIAL TOOLS

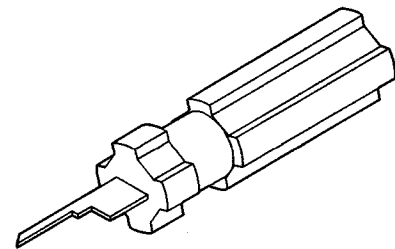
### WIRING/TERMINAL



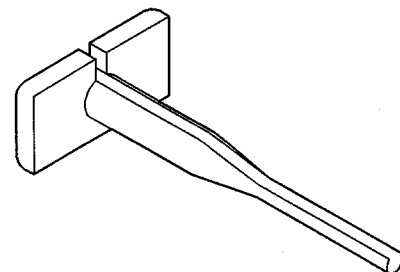
**Probing Tool Package 6807**



**Terminal Pick 6680**



**Terminal Removing Tool 6932**



**Terminal Removing Tool 6934**

**8W-02 COMPONENT INDEX**

<b>Component</b>	<b>Page</b>	<b>Component</b>	<b>Page</b>
4x4 Indicator . . . . .	8W-40	Engine Starter Motor Relay . . . . .	8W-21
4x4 Switch . . . . .	8W-31, 34, 35	Fender Lamps . . . . .	8W-51
A/C Compressor Clutch . . . . .	8W-42	Fog Lamp Relays . . . . .	8W-50
A/C Compressor Clutch Relay . . . . .	8W-42	Fog Lamp Switch . . . . .	8W-50
A/C Heater Control . . . . .	8W-42	Fog Lamps . . . . .	8W-50
A/C Pressure Switches . . . . .	8W-42	Fuel Heater . . . . .	8W-30
Aftermarket Trailer Tow Connector . . . . .	8W-54	Fuel Heater Relay . . . . .	8W-30
Airbag Control Module . . . . .	8W-43	Fuel Injectors . . . . .	8W-30
Airbags . . . . .	8W-43	Fuel Pump Module . . . . .	8W-30
Ambient Temperature Sensor . . . . .	8W-49	Fuel Pump Relay . . . . .	8W-30
Ash Receiver Lamp . . . . .	8W-44	Fuel Shut Down Relay . . . . .	8W-30
Automatic Shutdown Relay . . . . .	8W-30	Fuel Shut Down Solenoid . . . . .	8W-30
Auxiliary Battery . . . . .	8W-20	Fuses (JB) . . . . .	8W-12
Back-Up Lamp Switch . . . . .	8W-51	Fuses (PDC) . . . . .	8W-10
Back-Up Lamps . . . . .	8W-51	Generator . . . . .	8W-20
Battery . . . . .	8W-20	Glove Box Lamp . . . . .	8W-44
Battery Temperature Sensor . . . . .	8W-30	Grounds . . . . .	8W-15
Blower Motor . . . . .	8W-42	Headlamp Dimmer Switch . . . . .	8W-50
Blower Motor Relay . . . . .	8W-42	Headlamp Switch . . . . .	8W-44, 50
Blower Motor Resistor Block . . . . .	8W-42	Headlamps . . . . .	8W-50
Brake Pressure Switch . . . . .	8W-34, 35	Heated Mirror Switch . . . . .	8W-62
Bypass Jumper . . . . .	8W-21	Horn Relay . . . . .	8W-41, 45
Camshaft Position Sensor . . . . .	8W-30	Horn Switches . . . . .	8W-41
Capacitor . . . . .	8W-70	Horns . . . . .	8W-41
Cargo Lamps . . . . .	8W-44	Idle Air Control Valve . . . . .	8W-30
Center High Mounted Stop Lamps . . . . .	8W-51	Ignition Coils . . . . .	8W-30
Center Identification Lamp . . . . .	8W-50	Ignition Switch . . . . .	8W-10, 44
Central Timer Module . . . . .	8W-45	Indicators . . . . .	8W-40
Cigar Lighter . . . . .	8W-41	Instrument Cluster . . . . .	8W-40
Circuit Breakers . . . . .	8W-12	Intake Air Heater . . . . .	8W-30
Clutch Pedal Position Switch . . . . .	8W-21	Intake Air Heater Relays . . . . .	8W-30
Combination Flasher . . . . .	8W-52	Intake Air Temperature Sensor . . . . .	8W-30
Controller Anti-Lock Brake . . . . .	8W-34, 35	Integrated Electronic Module . . . . .	8W-45
Crankshaft Position Sensor . . . . .	8W-30	Intermittent Wiper Switch . . . . .	8W-53
Cup Holder Lamp . . . . .	8W-44	Joint Connector No. 1 . . . . .	8W-10, 15, 34, 35, 41, 45, 70
Data Link Connector . . . . .	8W-30	Joint Connector No. 2 . . . . .	8W-10, 53
Day/Night Mirror . . . . .	8W-49	Joint Connector No. 3 . . . . .	8W-15, 31, 34, 35
Daytime Running Lamp Module . . . . .	8W-50	Joint Connector No. 4 . . . . .	8W-15
Dome Lamp . . . . .	8W-44, 49	Joint Connector No. 5 . . . . .	8W-12, 15
Door Disarm Switches . . . . .	8W-39, 45	Joint Connector No. 6 . . . . .	8W-30, 40, 41, 67
Door Jamb Switches . . . . .	8W-67	Joint Connector No. 7 . . . . .	8W-30
Door Lock Motors . . . . .	8W-45, 61	Junction Block . . . . .	8W-12
Door Window/Lock Switches . . . . .	8W-60, 61	Key-In Halo Lamp . . . . .	8W-44
Driver Seat Solenoid . . . . .	8W-67	Key-In Switch . . . . .	8W-44
Duty Cycle Evap/Purge Solenoid . . . . .	8W-30	Leak Detection Pump . . . . .	8W-30
EGR Solenoid . . . . .	8W-30	License Lamps . . . . .	8W-51
Electric Brake . . . . .	8W-54	Low Washer Fluid Switch . . . . .	8W-40
Engine Coolant Temperature Sensor . . . . .	8W-30	Manifold Absolute Pressure Sensor . . . . .	8W-30
Engine Oil Pressure Sensor . . . . .	8W-30	Map Lamps . . . . .	8W-44, 49
Engine Speed Sensor . . . . .	8W-30	Outboard Clearance Lamps . . . . .	8W-50
Engine Starter Motor . . . . .	8W-21	Outboard Identification Lamps . . . . .	8W-50

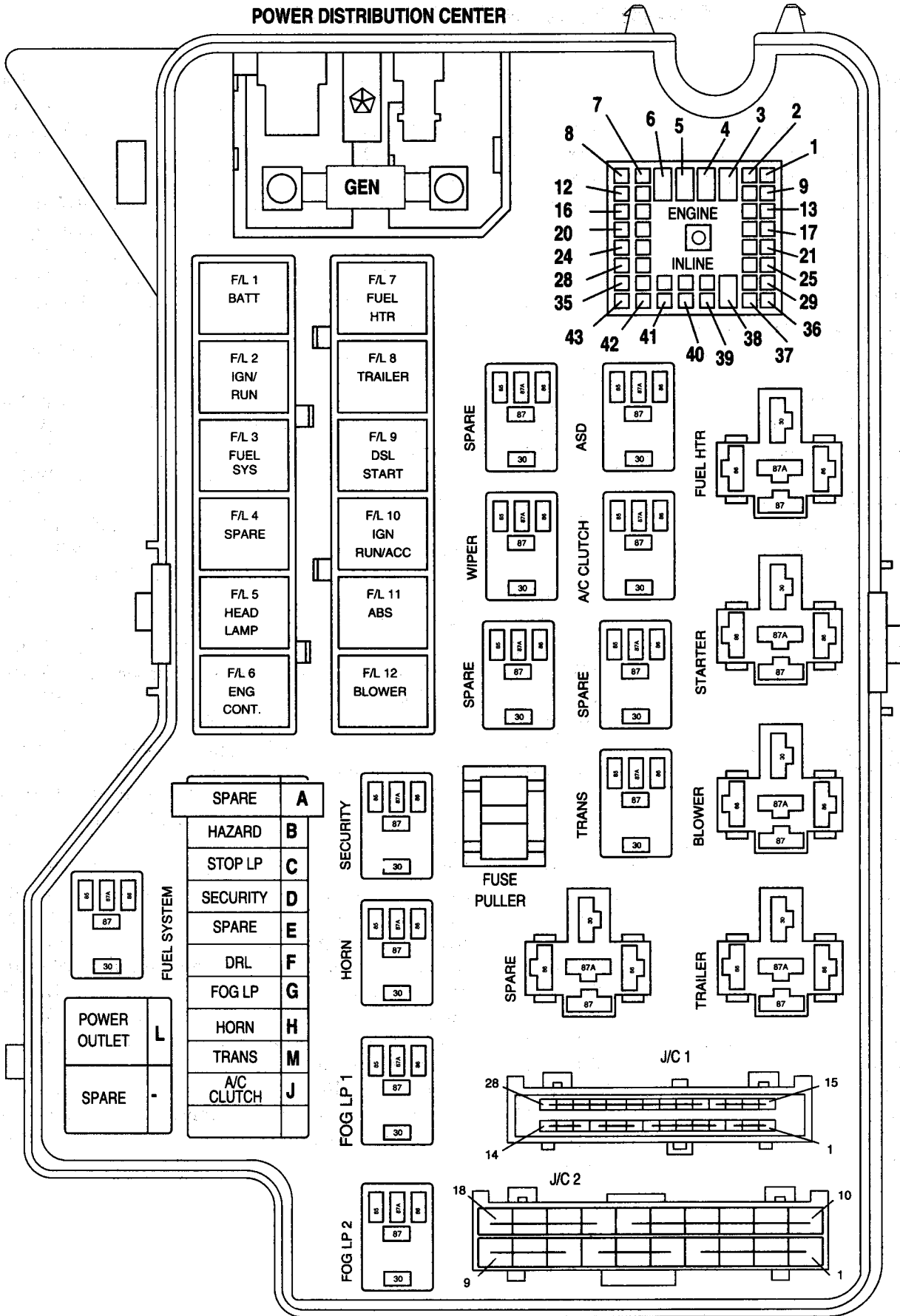
**SPECIAL TOOLS (Continued)**

<b>Component</b>	<b>Page</b>	<b>Component</b>	<b>Page</b>
Overdrive Switch . . . . .	.8W-31	Security Relay . . . . .	.8W-10, 45
Overhead Console . . . . .	.8W-49	Speakers . . . . .	.8W-47
Overhead Map/Courtesy Lamps . . . . .	.8W-44, 49	Splice Information . . . . .	.8W-70
Oxygen Sensor . . . . .	.8W-30	Stop Lamp Switch . . . . .	.8W-10, 33, 34, 35
Park Brake Switch . . . . .	.8W-40, 50	Tail/Stop/Turn Signal Lamps . . . . .	.8W-51, 52
Park/Neutral Position Switch . . . . .	.8W-30, 44, 51	Throttle Position Sensor . . . . .	.8W-30
Park/Turn Signal Lamps . . . . .	.8W-52	Trailer Tow Connector . . . . .	.8W-54
Passenger Airbag Disarm Switch . . . . .	.8W-43	Trailer Tow Relay . . . . .	.8W-54
Passenger Seat Solenoid . . . . .	.8W-67	Transmission Output Shaft Speed Sensor . . . . .	.8W-31
Power Distribution Center . . . . .	.8W-10	Transmission Relay . . . . .	.8W-31
Power Mirror Motors . . . . .	.8W-62	Transmission Solenoid Assembly . . . . .	.8W-31
Power Mirror Switch . . . . .	.8W-62	Turn Signal/Hazard Switch . . . . .	.8W-52
Power Outlet . . . . .	.8W-41	Underhood Lamp . . . . .	.8W-44
Power Seat Switch . . . . .	.8W-63	Vehicle Speed Control Servo . . . . .	.8W-33
Power Window Motors . . . . .	.8W-60	Vehicle Speed Control/Horn Switch . . . . .	.8W-33
Powertrain Control Module . . . . .	.8W-30	Visor/Vanity Lamps . . . . .	.8W-44, 49
Radio . . . . .	.8W-47	Water In-Fuel Sensor . . . . .	.8W-30
Radio Choke Relay . . . . .	.8W-47	Wheel Speed Sensors . . . . .	.8W-34, 35
Reading Lamps . . . . .	.8W-44, 49	Windshield Washer Pump Motor . . . . .	.8W-53
Seat Motors . . . . .	.8W-63	Wiper Motor . . . . .	.8W-53
Seatbelt Control Module . . . . .	.8W-67	Wiper Motor Relay . . . . .	.8W-53
Seatbelt Switch . . . . .	.8W-67		

## 8W-10 POWER DISTRIBUTION

Component	Page	Component	Page
A/C Compressor Clutch	8W-10-19	Fuse 14 (JB)	8W-10-10
A/C Compressor Clutch Relay	8W-10-19	Fuse B (PDC)	8W-10-9, 17
Aftermarket Trailer Tow Connector	8W-10-14	Fuse C (PDC)	8W-10-9, 17
Automatic Shutdown Relay	8W-10-12	Fuse D (PDC)	8W-10-9, 18
Auxiliary Battery	8W-10-8, 9	Fuse F (PDC)	8W-10-9, 18
Battery	8W-10-8, 9	Fuse G (PDC)	8W-10-9, 21
Blower Motor	8W-10-17	Fuse Gen	8W-10-9, 21
Blower Motor Relay	8W-10-17	Fuse H (PDC)	8W-10-9, 19
Center High Mounted Stop Lamp No. 1	8W-10-17	Fuse J (PDC)	8W-10-9, 19
Center High Mounted Stop Lamp No. 2	8W-10-17	Fuse K (PDC)	8W-10-9, 12, 13
Central Timer Module	8W-10-18	Fuse L (PDC)	8W-10-9, 20
Circuit Breaker 2 (JB)	8W-10-10	Fuse M (PDC)	8W-10-9, 20
Combination Flasher	8W-10-17	Generator	8W-10-21
Controller Anti-Lock Brake	8W-10-15	Headlamp Dimmer Switch	8W-10-18
Daytime Running Lamp Module	8W-10-18	Headlamp Switch	8W-10-11
Electric Brake	8W-10-14, 17	High Note Horn	8W-10-19
Engine Starter Motor Relay	8W-10-10	Horn Relay	8W-10-19
Fog Lamp Relay No. 1	8W-10-21	Ignition Switch	8W-10-10, 16
Fog Lamp Relay No. 2	8W-10-21	Joint Connector No. 1	8W-10-18, 19
Fuel Heater	8W-10-14	Joint Connector No. 2	8W-10-10, 11, 12, 14, 16
Fuel Heater Relay	8W-10-14	Junction Block	8W-10-10
Fuel Injector No. 1	8W-10-12	Left Fog Lamp	8W-10-21
Fuel Injector No. 3	8W-10-12	Left Headlamp	8W-10-18
Fuel Injector No. 5	8W-10-12	Left Upstream Heated Oxygen Sensor	8W-10-13
Fuel Injector No. 7	8W-10-12	Low Note Horn	8W-10-19
Fuel Pump Module	8W-10-11	Park/Neutral Position Switch	8W-10-12
Fuel Pump Relay	8W-10-11	Post-Catalyst Heated Oxygen Sensor	8W-10-13
Fuel Shut Down Relay	8W-10-15	Power Distribution	
Fuel Shut Down Solenoid	8W-10-15	Center	8W-10-8, 9, 10, 11, 12, 14, 15, 16, 17, 18, 19, 20, 21
Fuse 1 (JB)	8W-10-10	Power Outlet	8W-10-20
Fuse 1 (PDC)	8W-10-8, 10	Powertrain Control Module	8W-10-11, 12
Fuse 2 (PDC)	8W-10-8, 10, 16	Pre-Catalyst Heated Oxygen Sensor	8W-10-13
Fuse 3 (PDC)	8W-10-8, 11	Right Fog Lamp	8W-10-21
Fuse 4 (JB)	8W-10-10	Right Headlamp	8W-10-18
Fuse 5 (PDC)	8W-10-8, 11	Right Upstream Heated Oxygen Sensor	8W-10-13
Fuse 6 (PDC)	8W-10-8, 12	Security Relay	8W-10-18
Fuse 7 (PDC)	8W-10-8, 14	Stop Lamp Switch	8W-10-17
Fuse 8 (PDC)	8W-10-8, 14	Trailer Tow Connector	8W-10-14
Fuse 9 (PDC)	8W-10-8, 15	Trailer Tow Relay	8W-10-14
Fuse 10 (PDC)	8W-10-8, 16	Transmission Relay	8W-10-20
Fuse 11 (PDC)	8W-10-8, 15	Transmission Solenoid Assembly	8W-10-20
Fuse 12 (JB)	8W-10-10	Turn Signal/Hazard Switch	8W-10-17
Fuse 12 (PDC)	8W-10-8, 17		
Fuse 13 (JB)	8W-10-10		

POWER DISTRIBUTION CENTER





## FUSES

CAV	CIRCUIT	AMPS	FUNCTION
1	A7 10RD/BK	50	FUSED (B+)
2	A2 14PK/BK	30	FUSED (B+)
3	A14 16RD/WT	20	FUSED (B+)
4	-	-	-
5	A3 12RD/YL	40	HEADLAMP SWITCH
6	A16 14RD/LB	30	AUTO SHUT DOWN RELAY
7	A112 12RD/TN	40	FUEL HEATER RELAY
8	A6 12RD/OR	40	FUSED (B+)
9	A18 10RD/BK	50	FUEL SHUT DOWN RELAY
10	A1 10RD	50	IGNITION SWITCH
11	A10 10RD/DG	40	CONTROLLER ANTI-LOCK BRAKE
12	C111 12DG/YL	40	BLOWER RELAY

## FUSES

CAV	CIRCUIT	AMPS	FUNCTION
A	-	-	-
B	L9 16BK/VT	20	COMBINATION FLASHER
C	F32 16PK/DB	20	STOP LAMP SWITCH
D	F39	15	HEADLAMP RELAY
E	-	-	-
F	L20 18LG/WT	10	DAYTIME RUNNING LAMP MODULE
G	L38 20BR/WT	10	FOG LAMP RELAY
H	F31	10	HORN RELAY
J	C26 22PK/DB	10	A/C COMPRESSOR CLUTCH RELAY
K1	A142 14DG/OR	10	FUSED B(+)
K2	A141 20DG/WT		OXYGEN SENSORS
L	A12 16RD/TN	20	POWER OUTLET
M	T17 22YL	10	TRANSMISSION RELAY
GEN	A11 6BK/GY	140	GENERATOR

A/C  
COMPRESSOR  
CLUTCH  
RELAY

CAV	CIRCUIT	FUNCTION
30	C26 22PK/DB	FUSED B(+)
85	C13 22DB/OR	A/C COMPRESSOR CLUTCH RELAY CONTROL
85	C13 20DB/OR *	A/C COMPRESSOR CLUTCH RELAY CONTROL
86	F12 20DB/WT	FUSED IGN. (ST-RUN)
87	C3 22DB/BK	A/C COMPRESSOR CLUTCH RELAY OUTPUT

AUTO  
SHUT  
DOWN  
RELAY

CAV	CIRCUIT	FUNCTION
30	A16 14RD/LB	FUSED B(+)
85	K51 22DB/YL	AUTO SHUT DOWN RELAY CONTROL
86	F18 20LG/BK	FUSED IGN. (ST-RUN)
87	A142 14DG/OR	AUTO SHUT DOWN RELAY SENSE

BLOWER  
MOTOR  
RELAY

CAV	CIRCUIT	FUNCTION
30	C111 12DG/YL	FUSED B(+)
85	Z1 22BK	GROUND
86	F15 22DB	FUSED IGN. (RUN)
87	C1 12DG	BLOWER MOTOR

ENGINE  
STARTER  
MOTOR  
RELAY

CAV	CIRCUIT	FUNCTION
30	A2 14PK/BK	FUSED B(+)
85	T41 22BK/WT	ENGINE STARTER MOTOR RELAY CONTROL
85	T41 20BK/WT *	ENGINE STARTER MOTOR RELAY CONTROL
86	T141 14YL/RD	ENGINE STARTER MOTOR DRIVER
87	T40 14BR	ENGINE STARTER MOTOR RELAY OUTPUT
87	T40 14BR	STARTER RELAY CONTACT TO SOLENOID

\* DIESEL

FOG  
LAMP  
RELAY  
NO. 1

CAV	CIRCUIT	FUNCTION
30	L38 20BR/WT	PARK LAMP SWITCH OUTPUT
85	L35 22BR/YL	GROUND
86	L7 18BK/YL	HIGH BEAM INDICATOR LAMP DRIVER
87	L139 22VT	FOG LAMP RELAY OUTPUT

FOG  
LAMP  
RELAY  
NO. 2

CAV	CIRCUIT	FUNCTION
30	L139 22VT	FOG LAMP RELAY NO. 1 OUTPUT
85	Z1 22BK	GROUND
86	L3 16RD/OR	FOG LAMP RELAY NO. 2 CONTROL
86	G34 20RD/GY	
87A	L39 20LB	FOG LAMP RELAY NO. 1 OUTPUT

FUEL  
HEATER  
RELAY

CAV	CIRCUIT	FUNCTION
30	A112 12RD/TN	FUSED B(+)
85	Z1 22BK	GROUND
86	F12 20DB/WT	FUSED IGN. (ST-RUN)
87	A93 12RD/YL	FUEL HEATER RELAY OUT PUT

FUEL  
PUMP  
RELAY

CAV	CIRCUIT	FUNCTION
30	A14 16RD/WT	ASD RELAY CONTACT
85	K31 22BR/WT	FUEL PUMP RELAY OUTPUT
86	F18 20LG/BK	FUSED (B+)
87	A61 16DG/BK	ABS SYSTEM RELAY CONTACT

HORN  
RELAY

CAV	CIRCUIT	FUNCTION
30	F31	FUSED B(+)
85	X3 22BK/RD	HORN RELAY CONTROL
86	F31	FUSED B(+)
87	X2 20DG/RD	HORN RELAY OUTPUT

SECURITY  
RELAY

CAV	CIRCUIT	FUNCTION
30	F39	FUSED B(+)
85	G50 22 RD/DB	HEADLAMP SIGNAL
86	F39	FUSED B(+)
87	L4 16VT/WT	SECURITY RELAY OUT PUT

TRAILER  
TOW  
RELAY

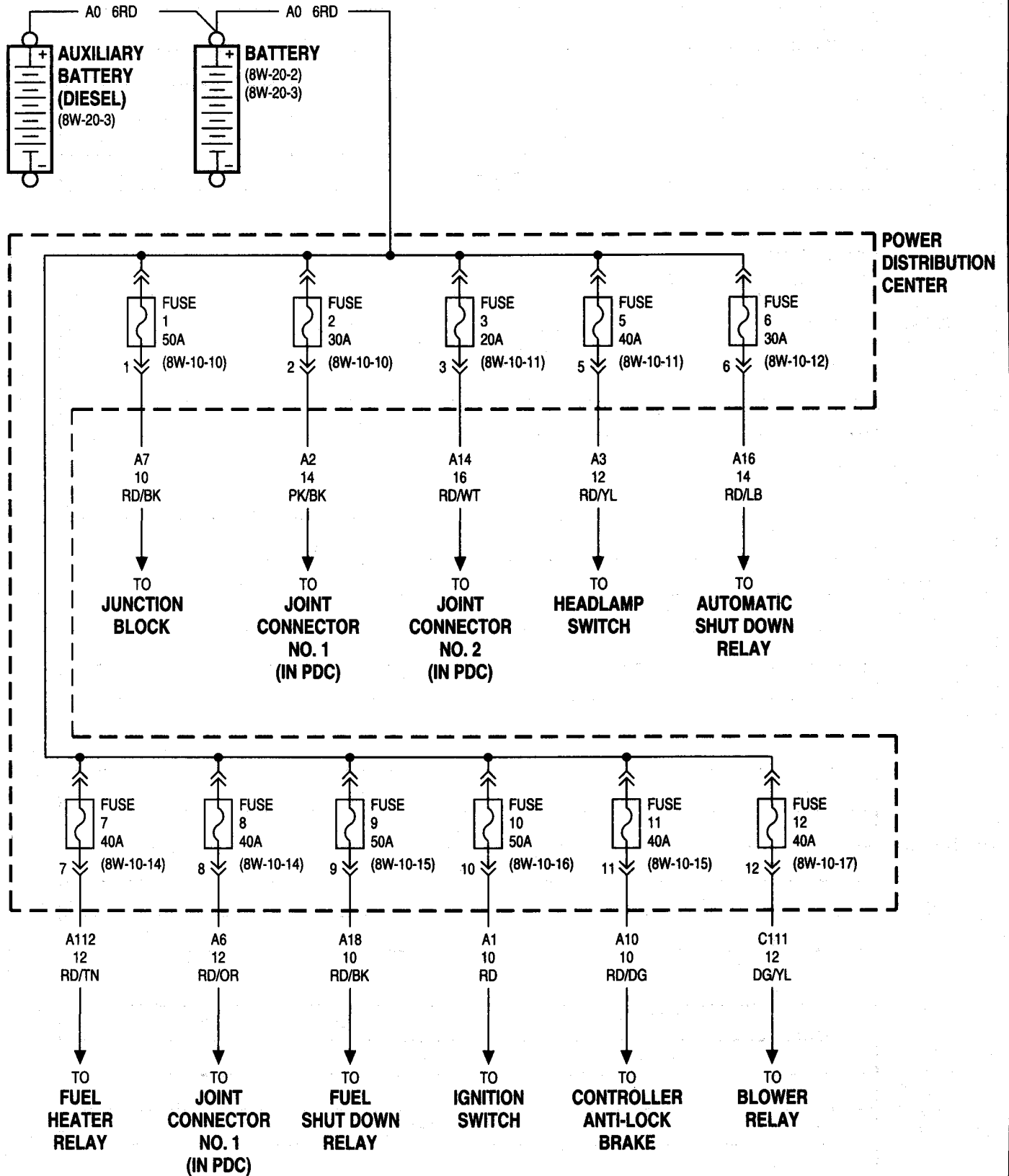
CAV	CIRCUIT	FUNCTION
30	A6 12RD/OR	FUSED B(+)
85	Z1 22BK	GROUND
86	L7 18BK/YL	PARK LAMP SWITCH OUTPUT
87	L76 12BK/OR	TRAILER PARK LAMPS

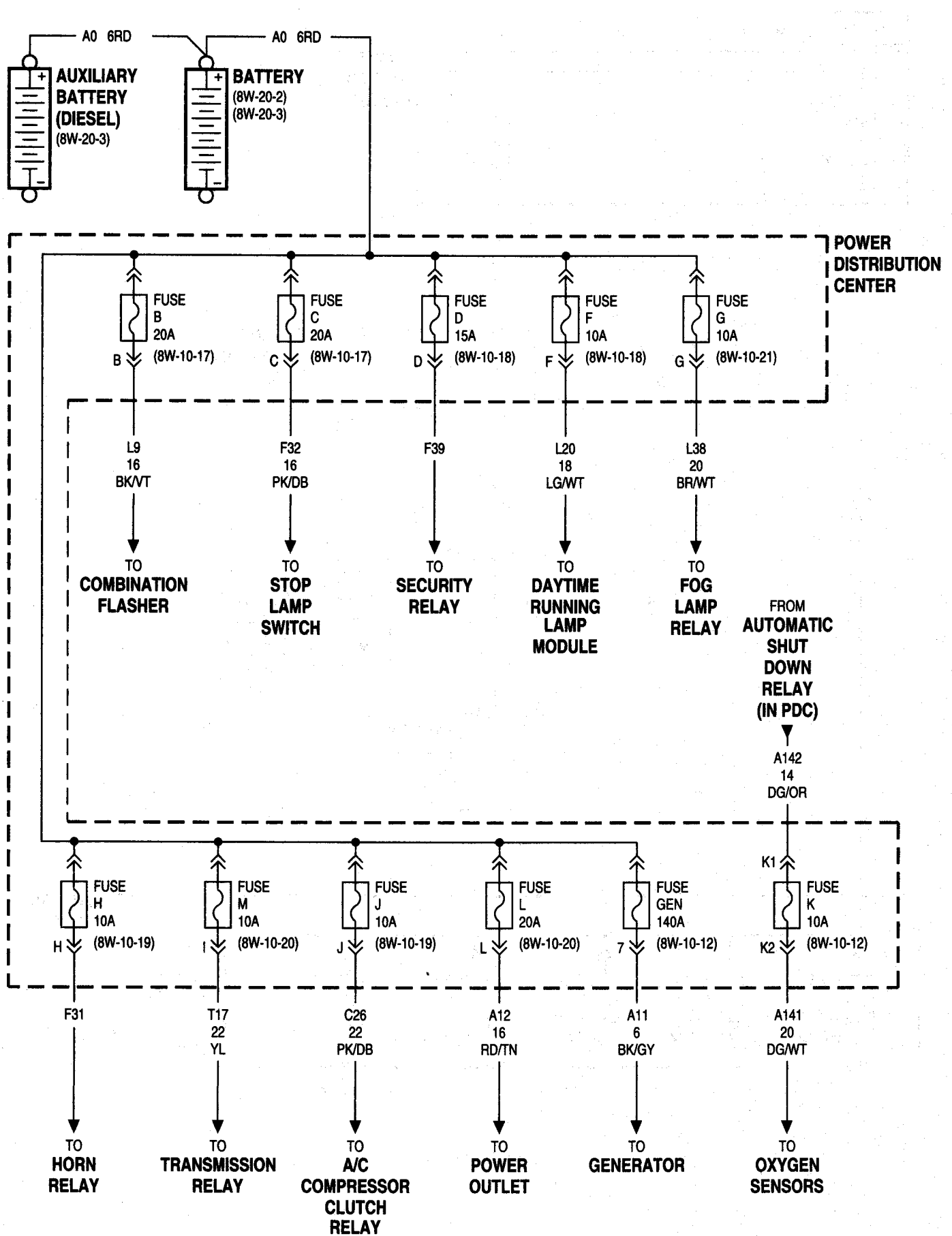
TRANSMISSION  
RELAY

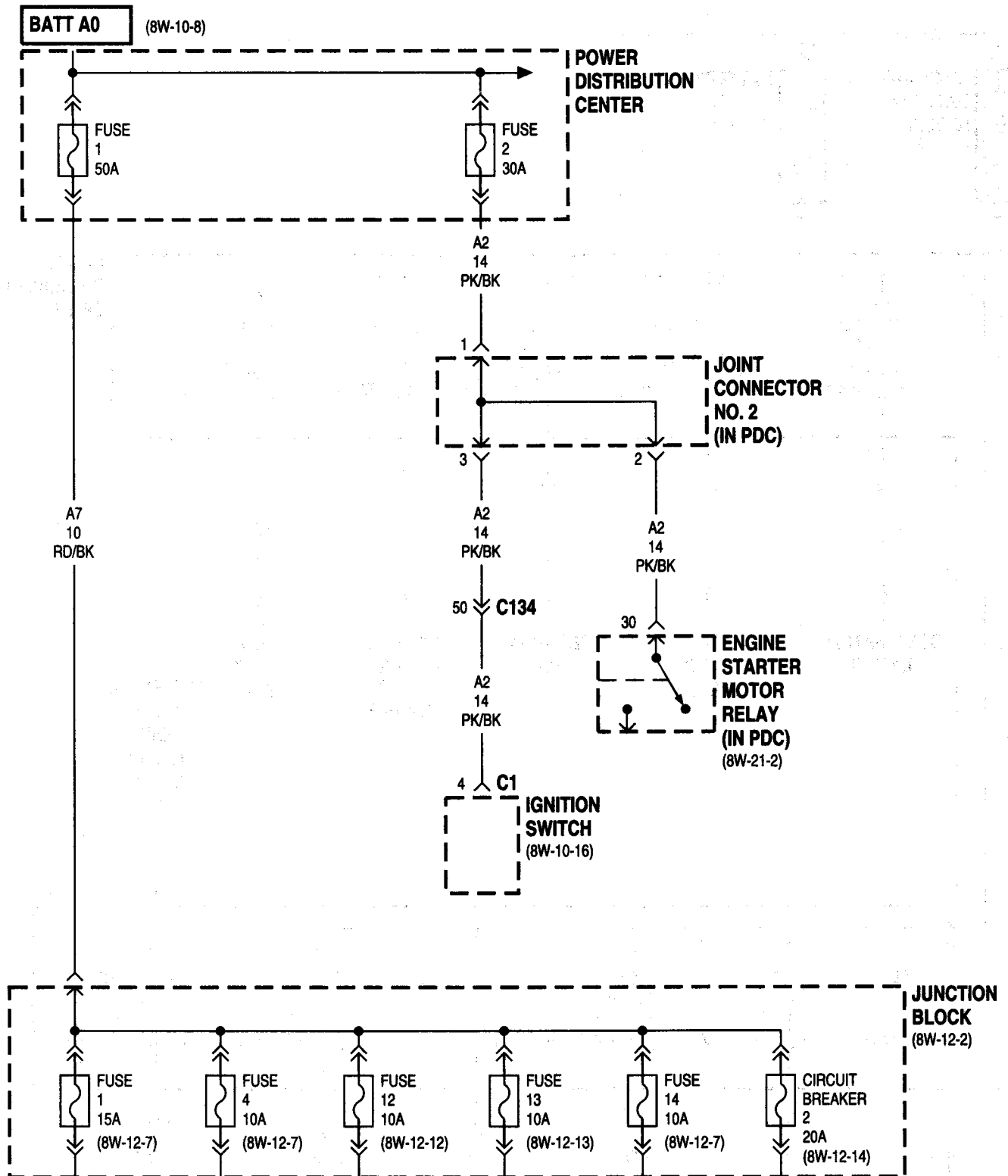
CAV	CIRCUIT	FUNCTION
30	T17 22YL	FUSED B(+)
85	K30 22PK/WT	TRANSMISSION RELAY CONTROL
86	T125 18 WT/DB	MODULE CONTROL CIRCUIT
87	T16 22RD	TRANSMISSION CONTROL RELAY OUTPUT

WIPER  
MOTOR  
RELAY

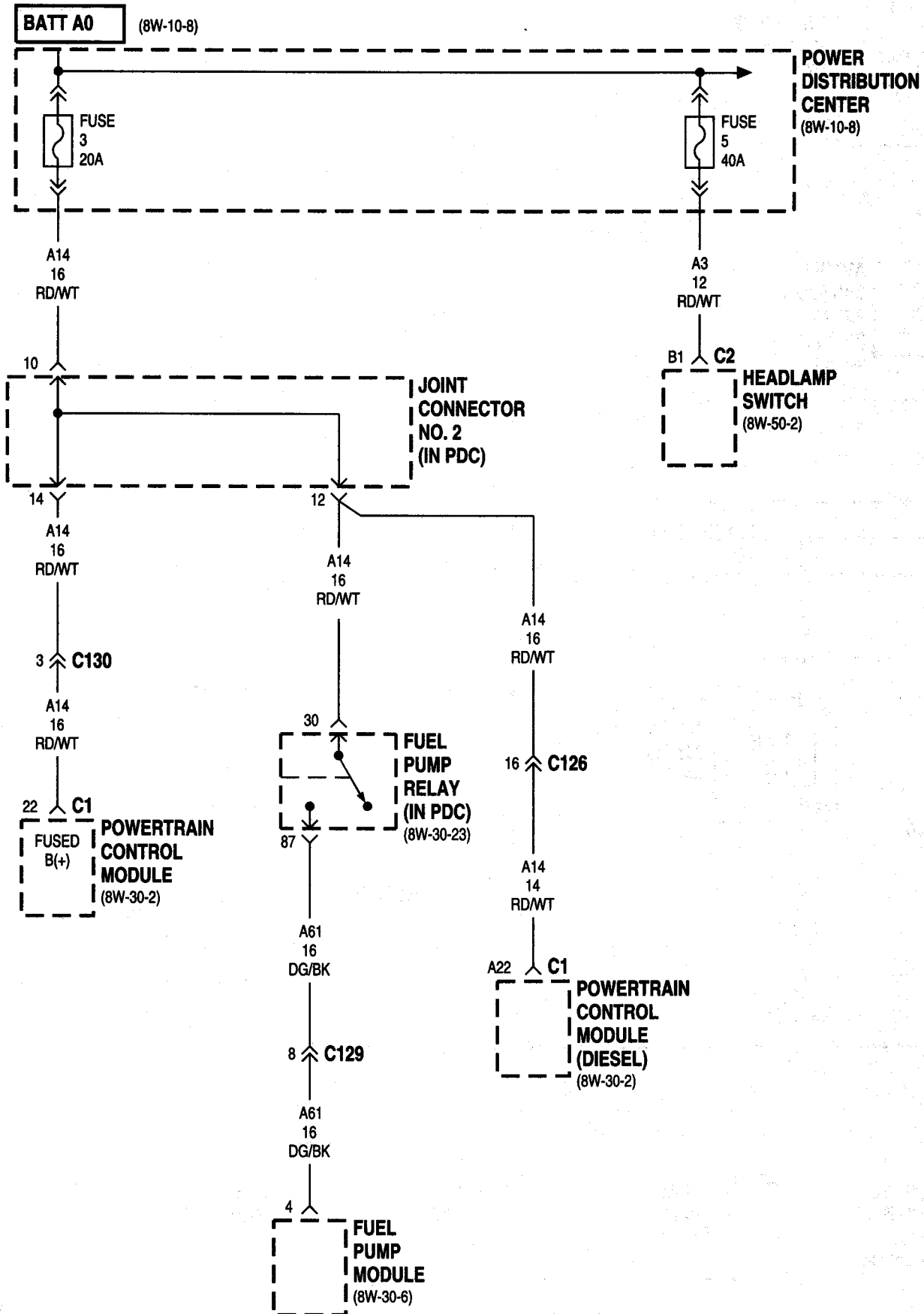
CAV	CIRCUIT	FUNCTION
30	V49 16RD/BK	WIPER RELAY OUT PUT
85	V18 22YL/DG	
86	V6 16DB	FUSED IGN. (RUN/ACC)
87	V6 16DB	FUSED IGN. (RUN/ACC)
87A	V5 16DG	

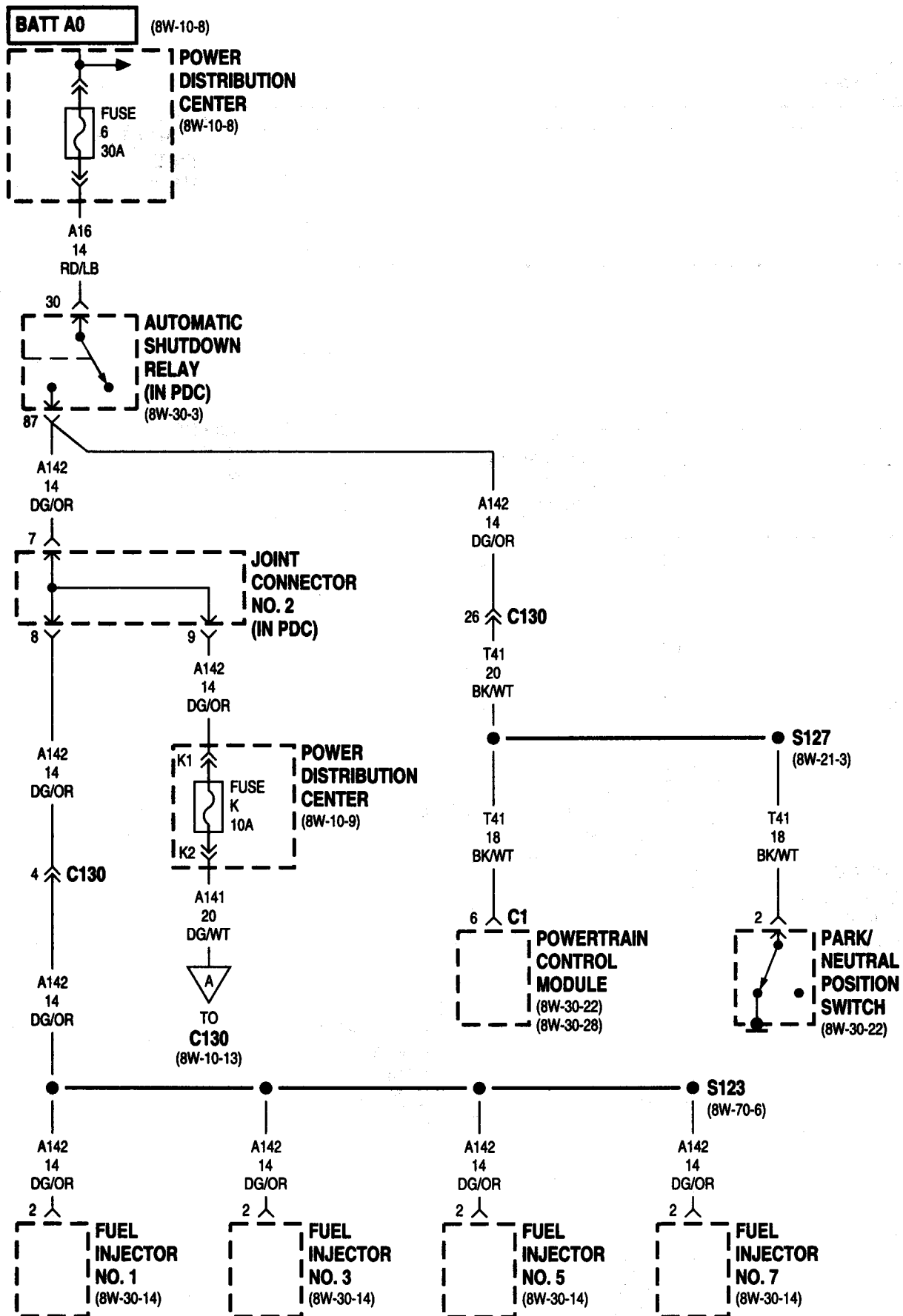


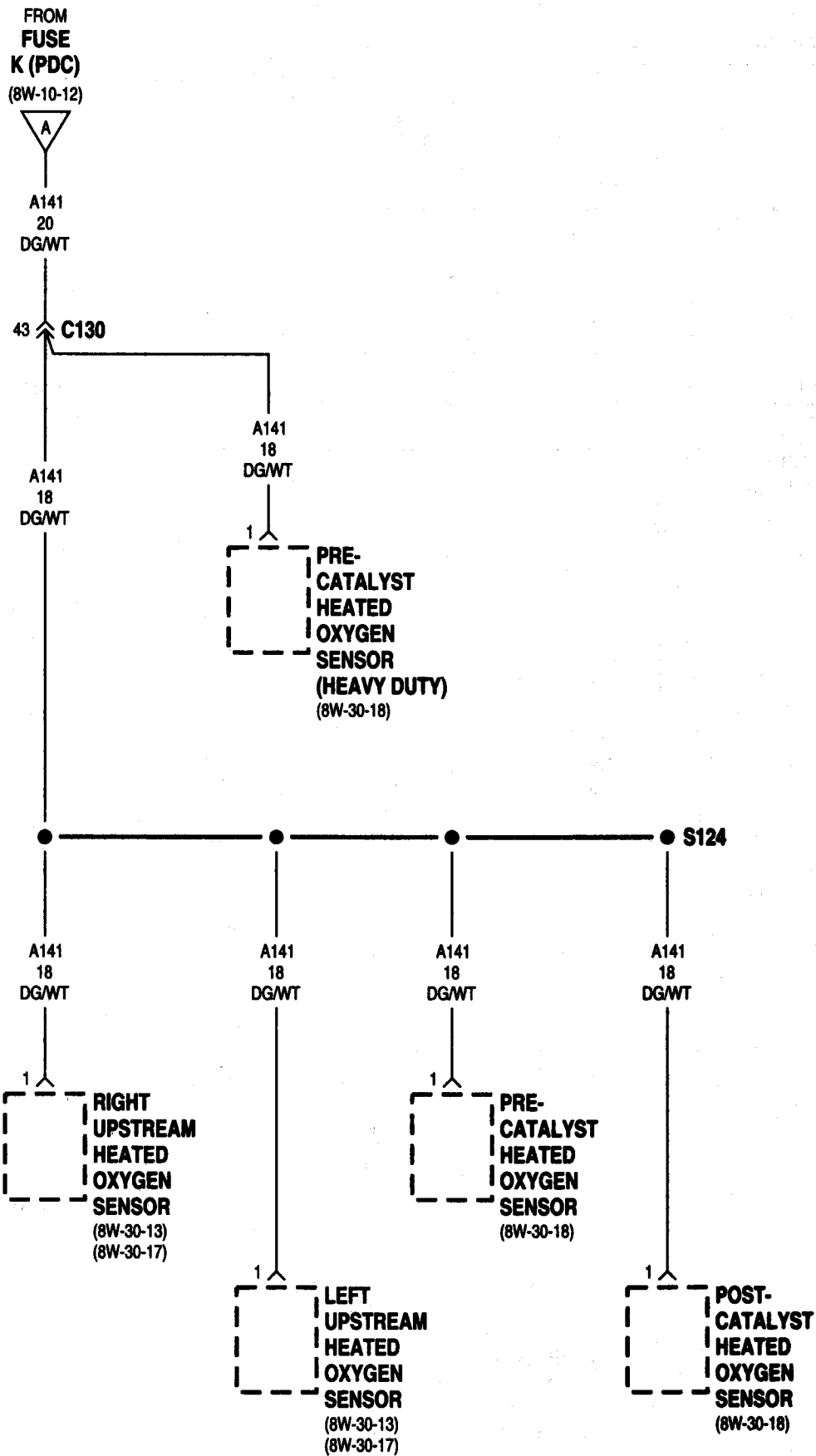


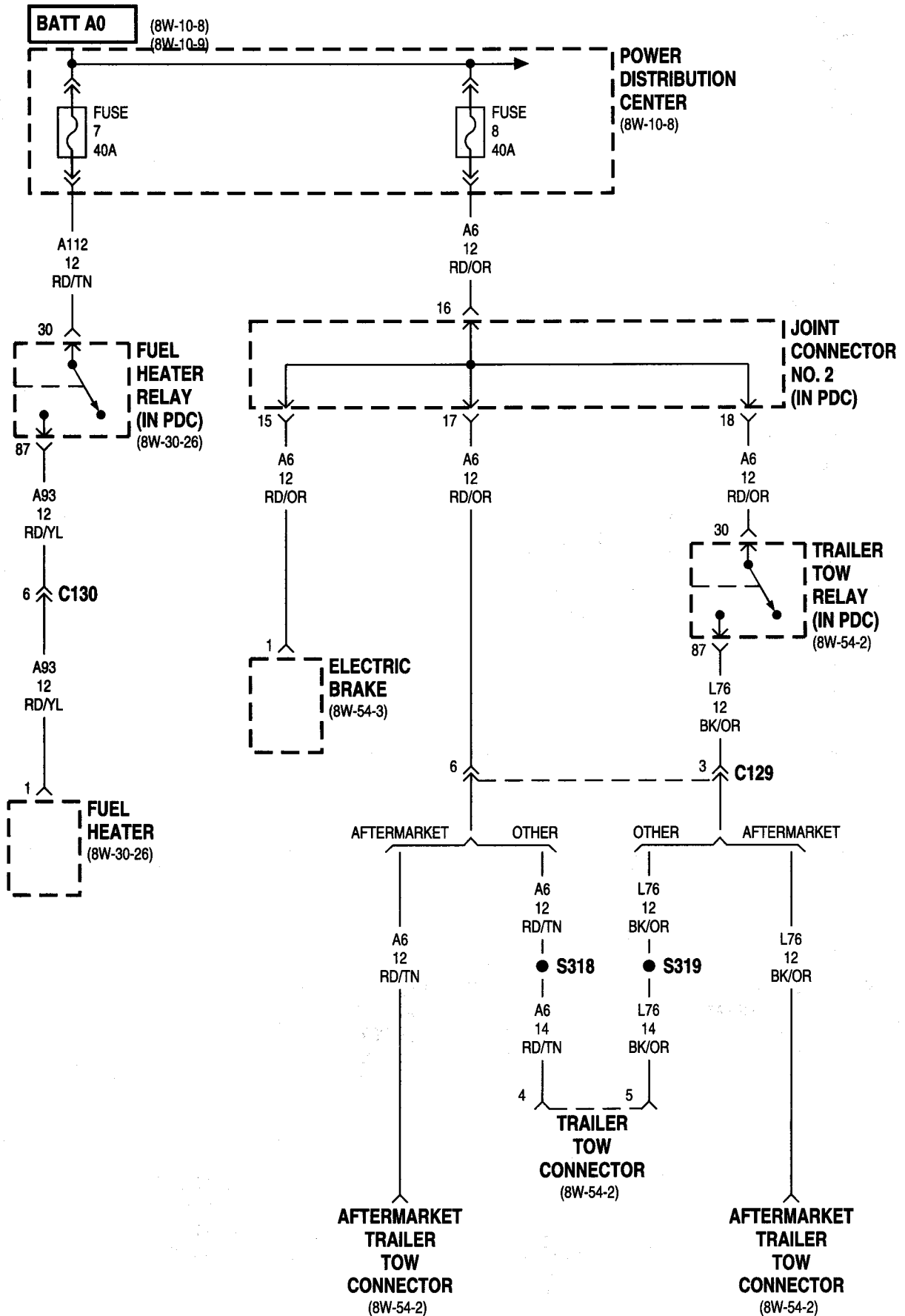


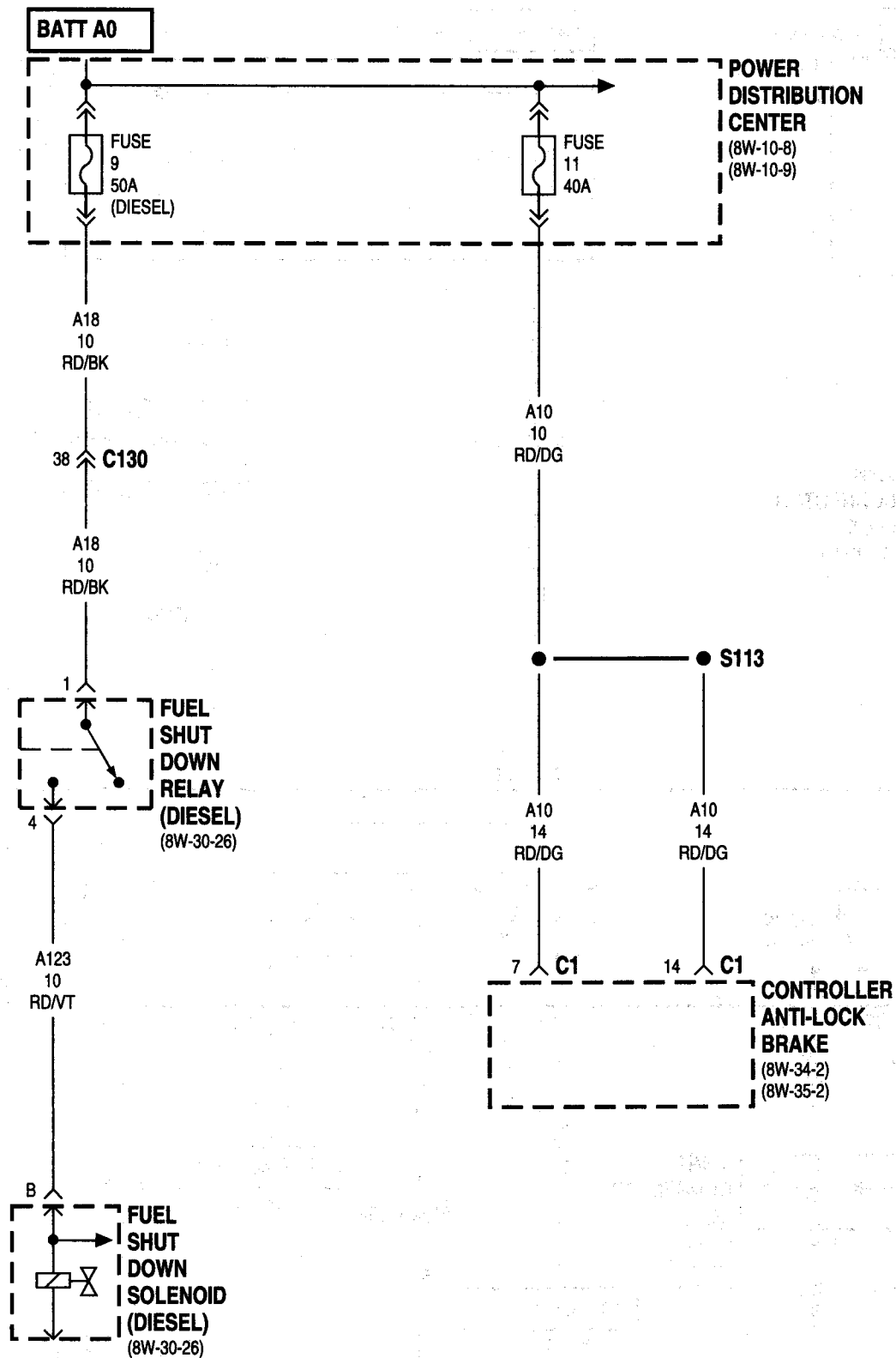


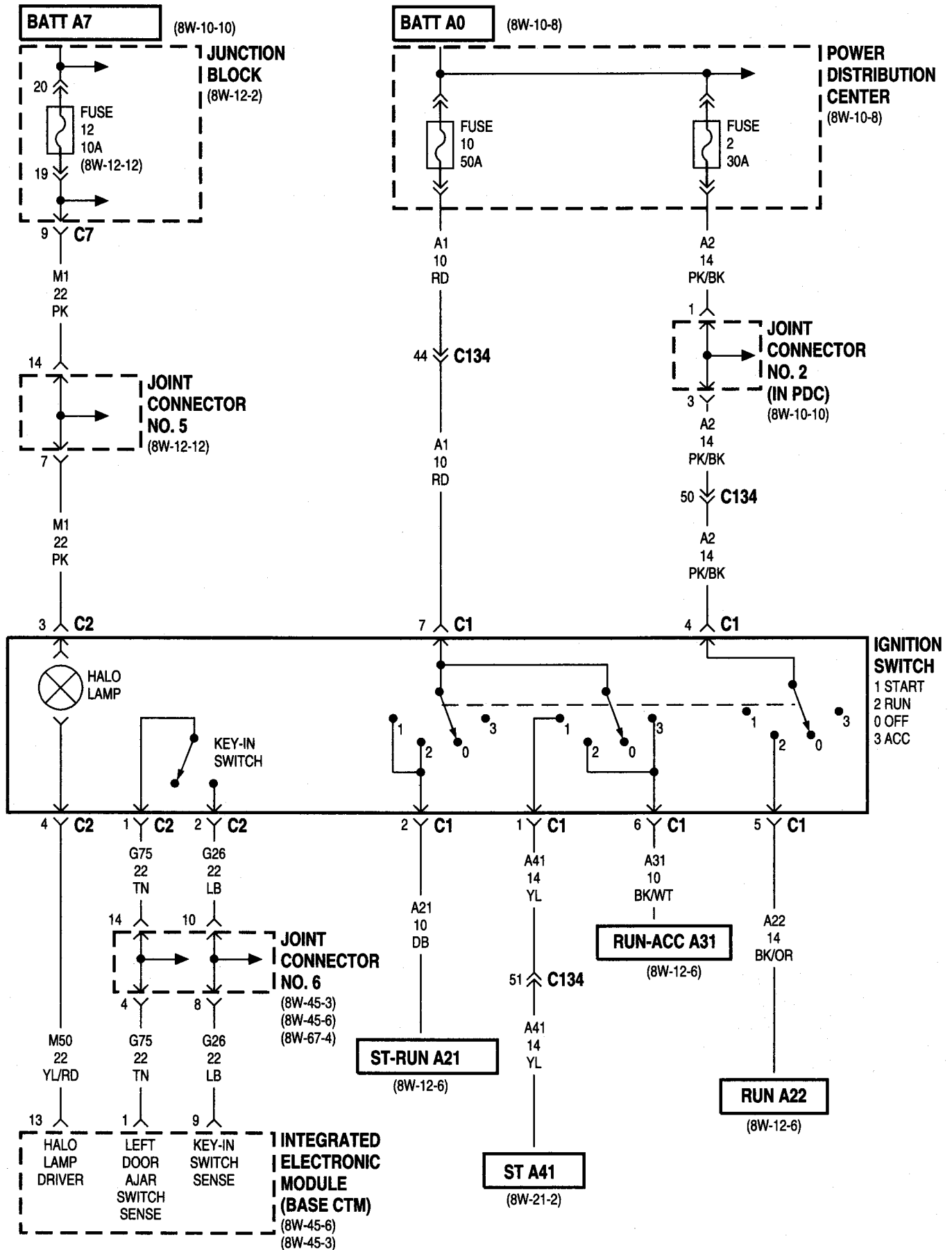


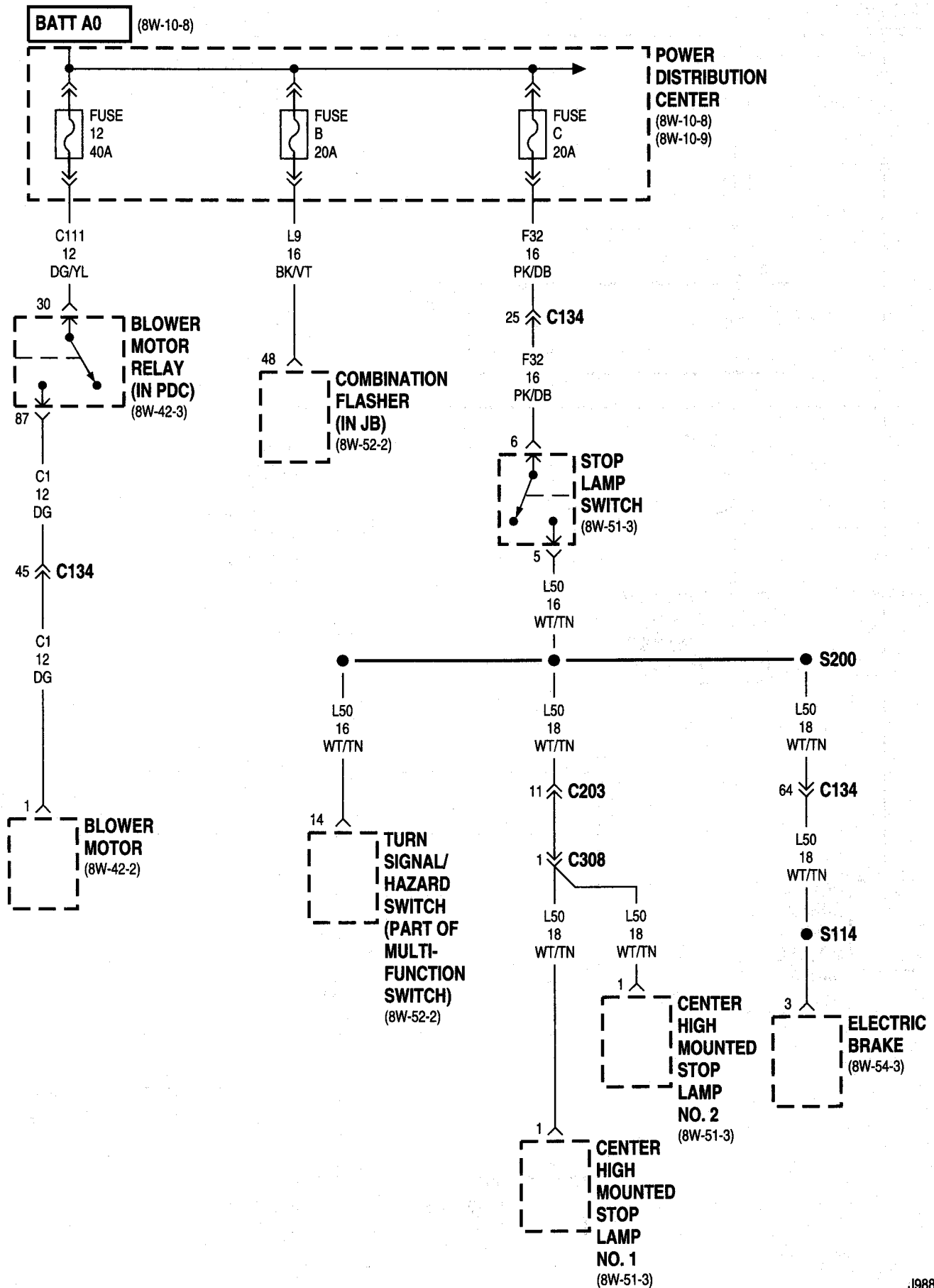


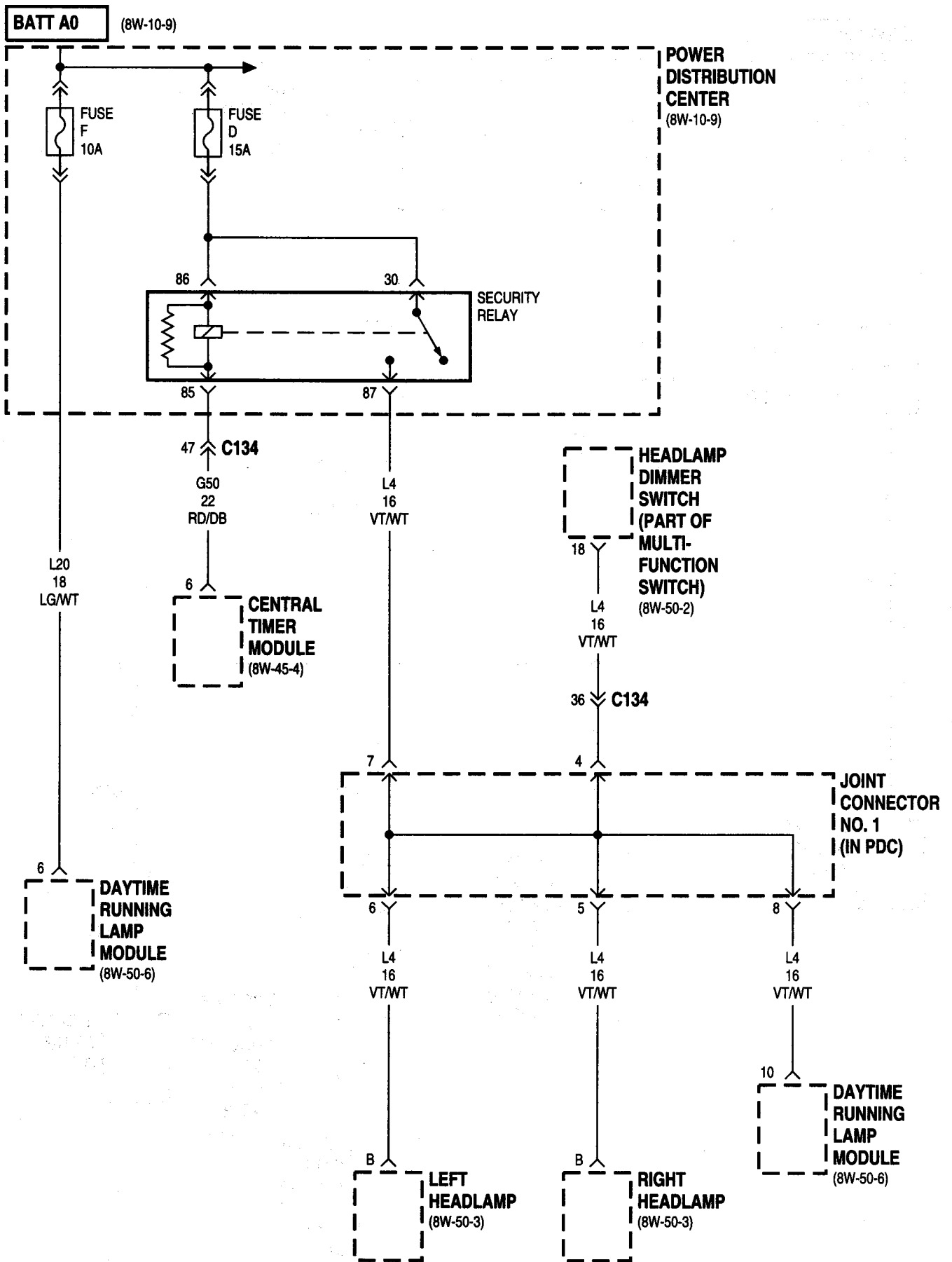




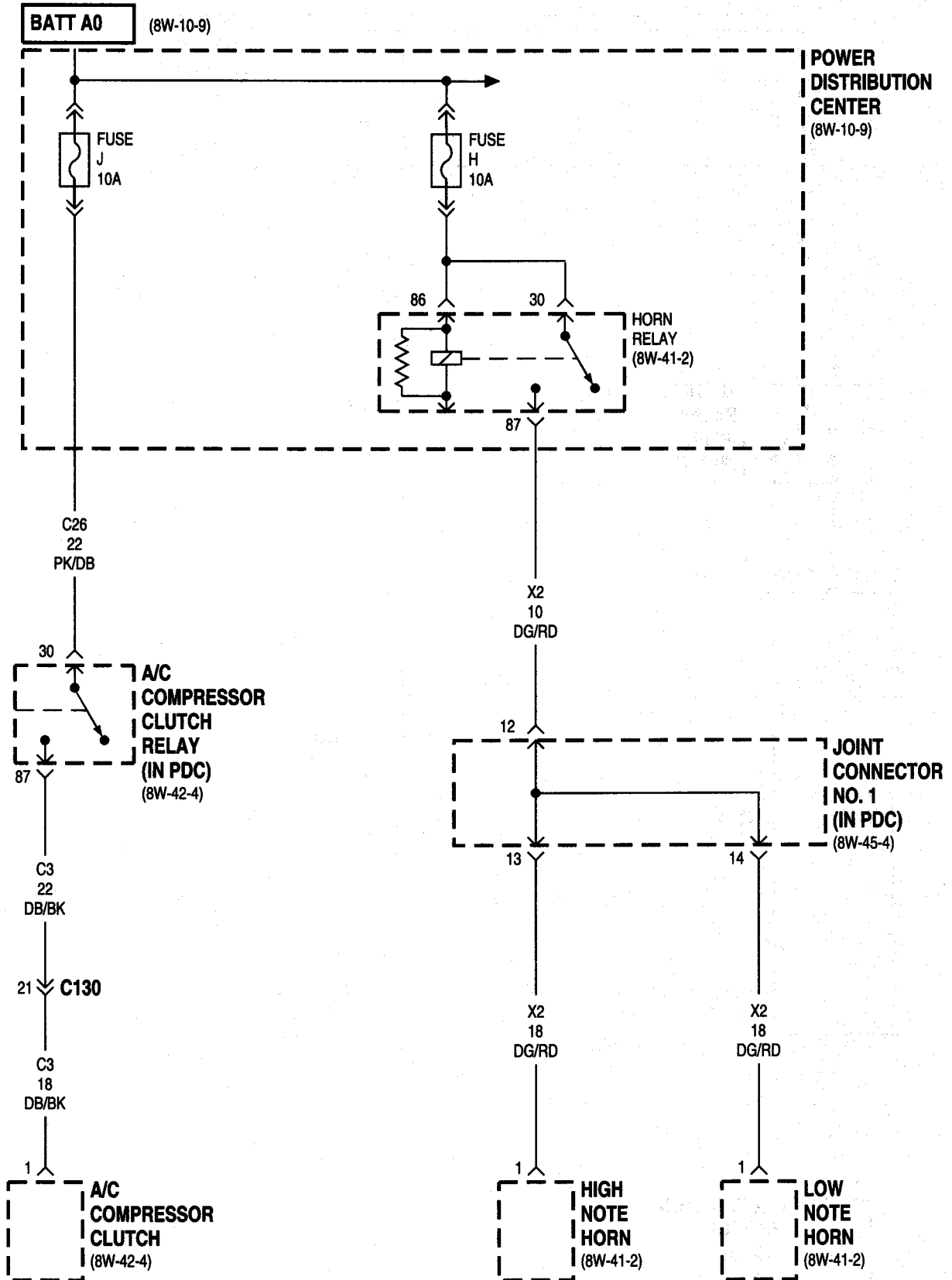


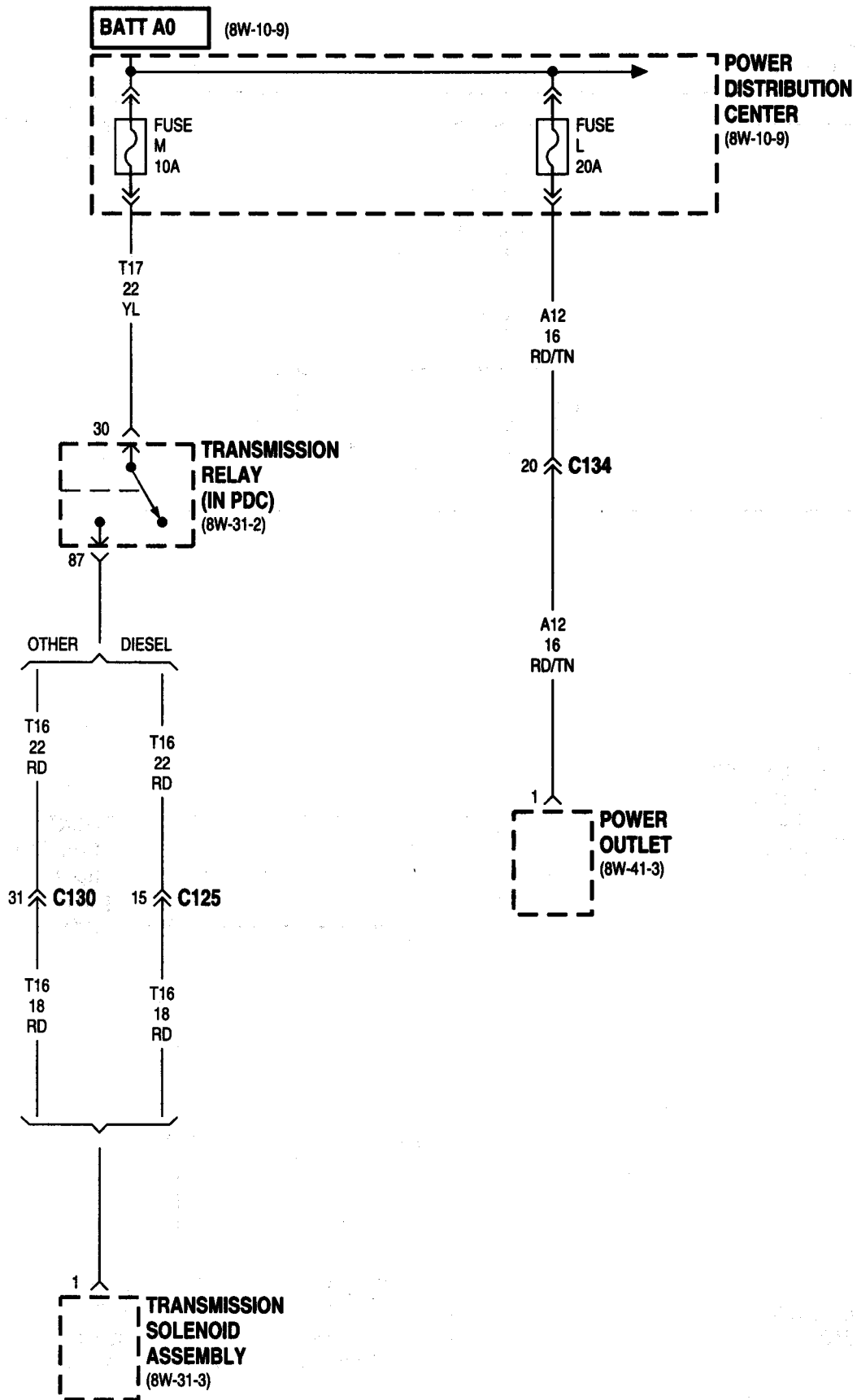


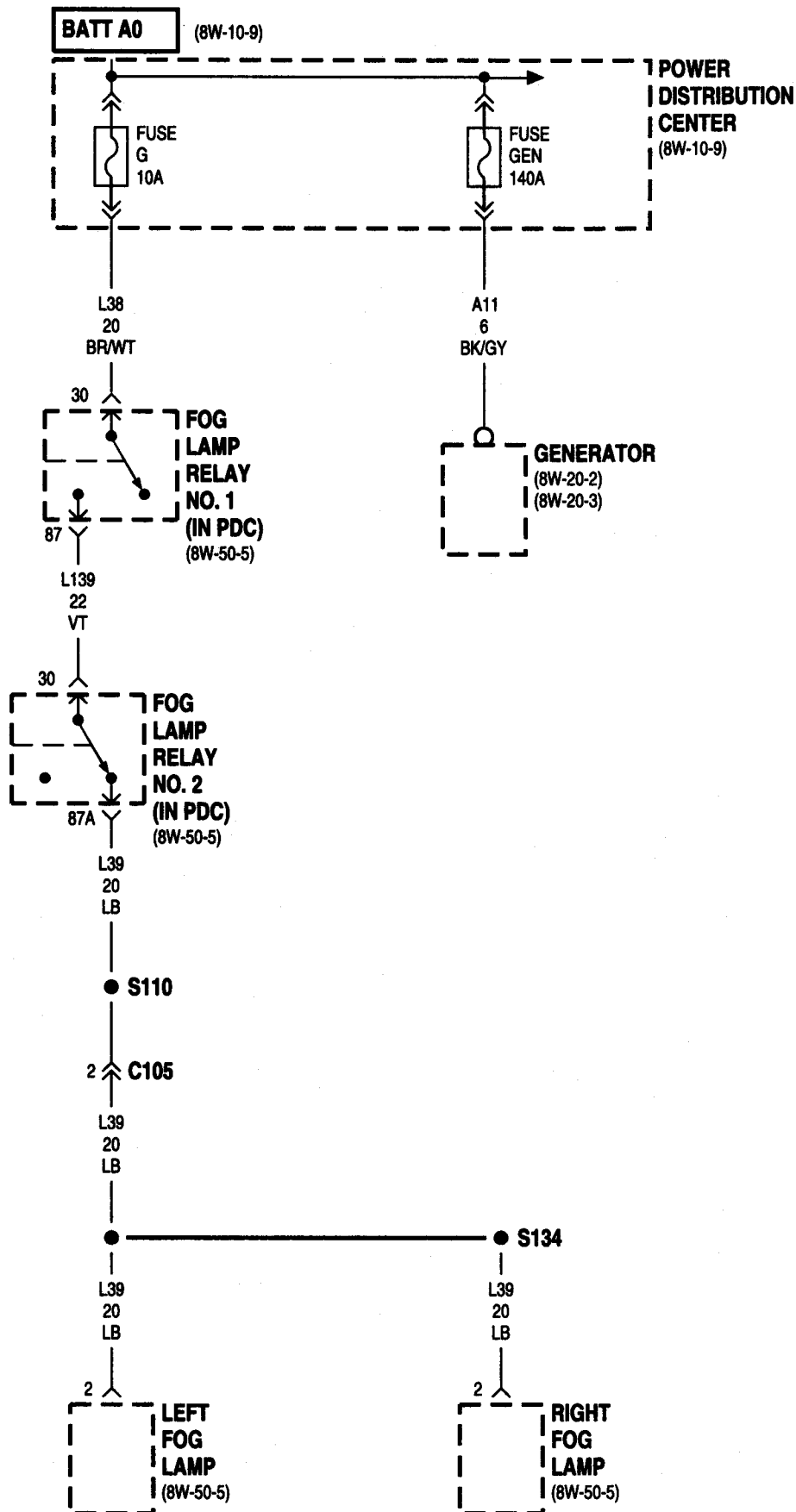


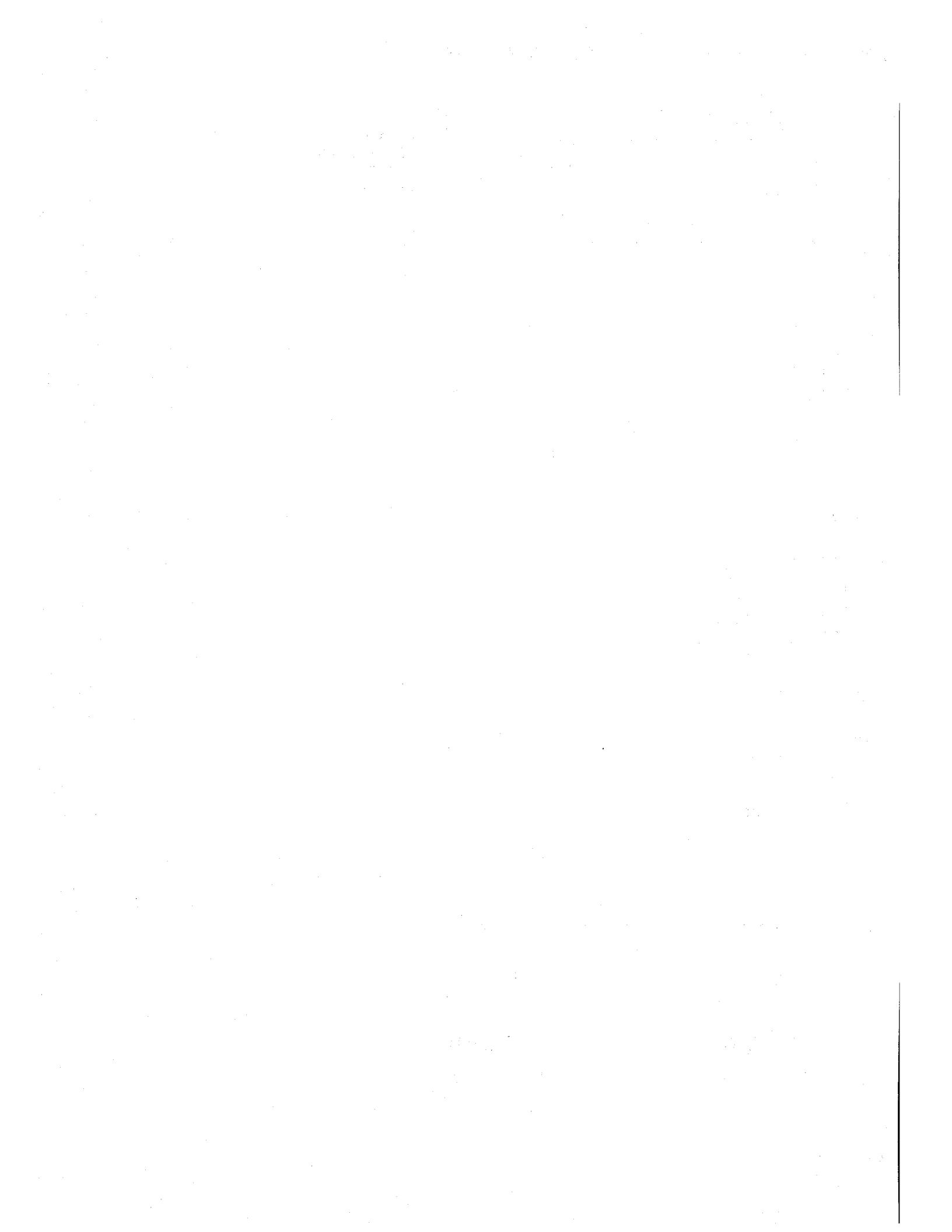








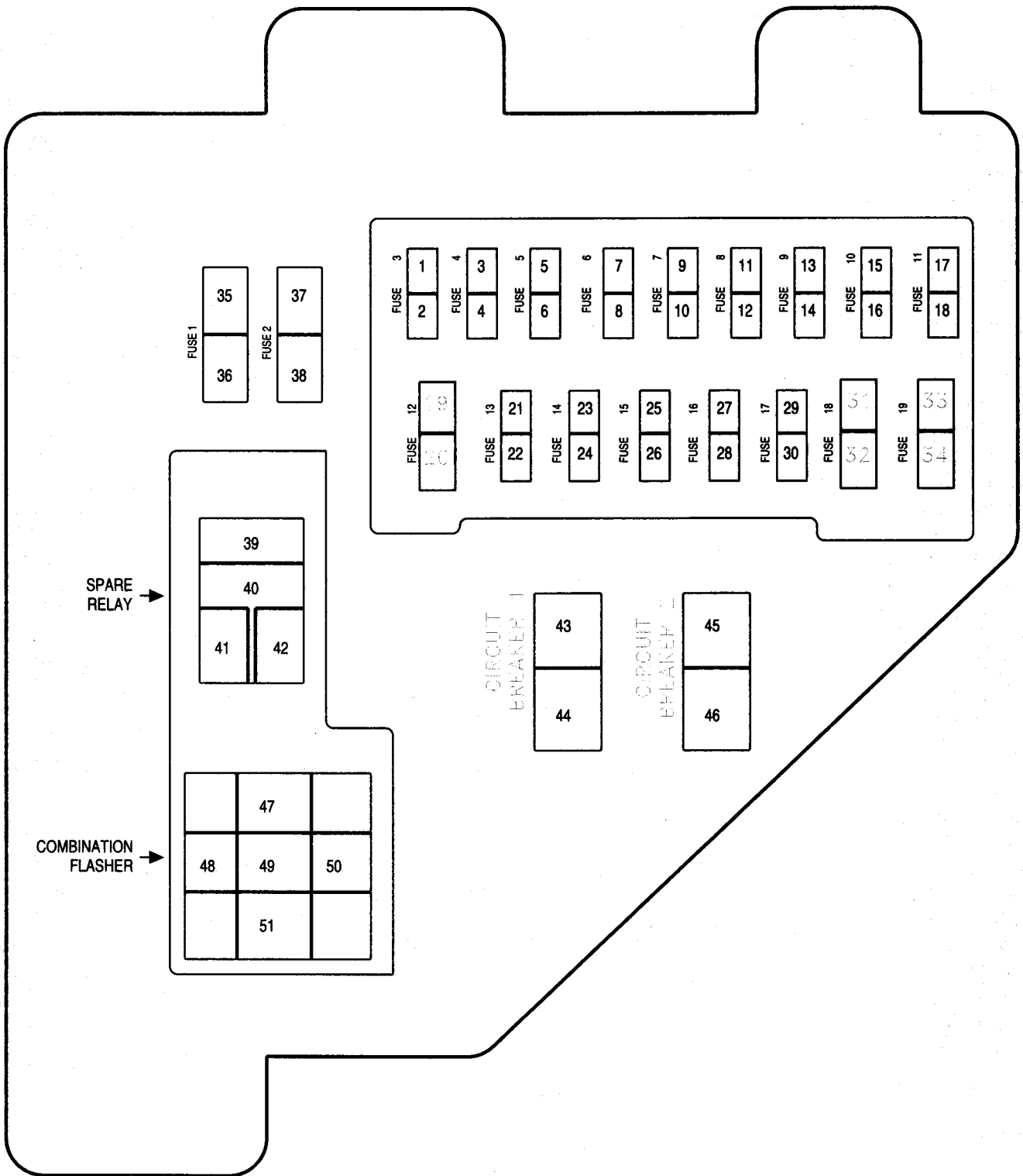




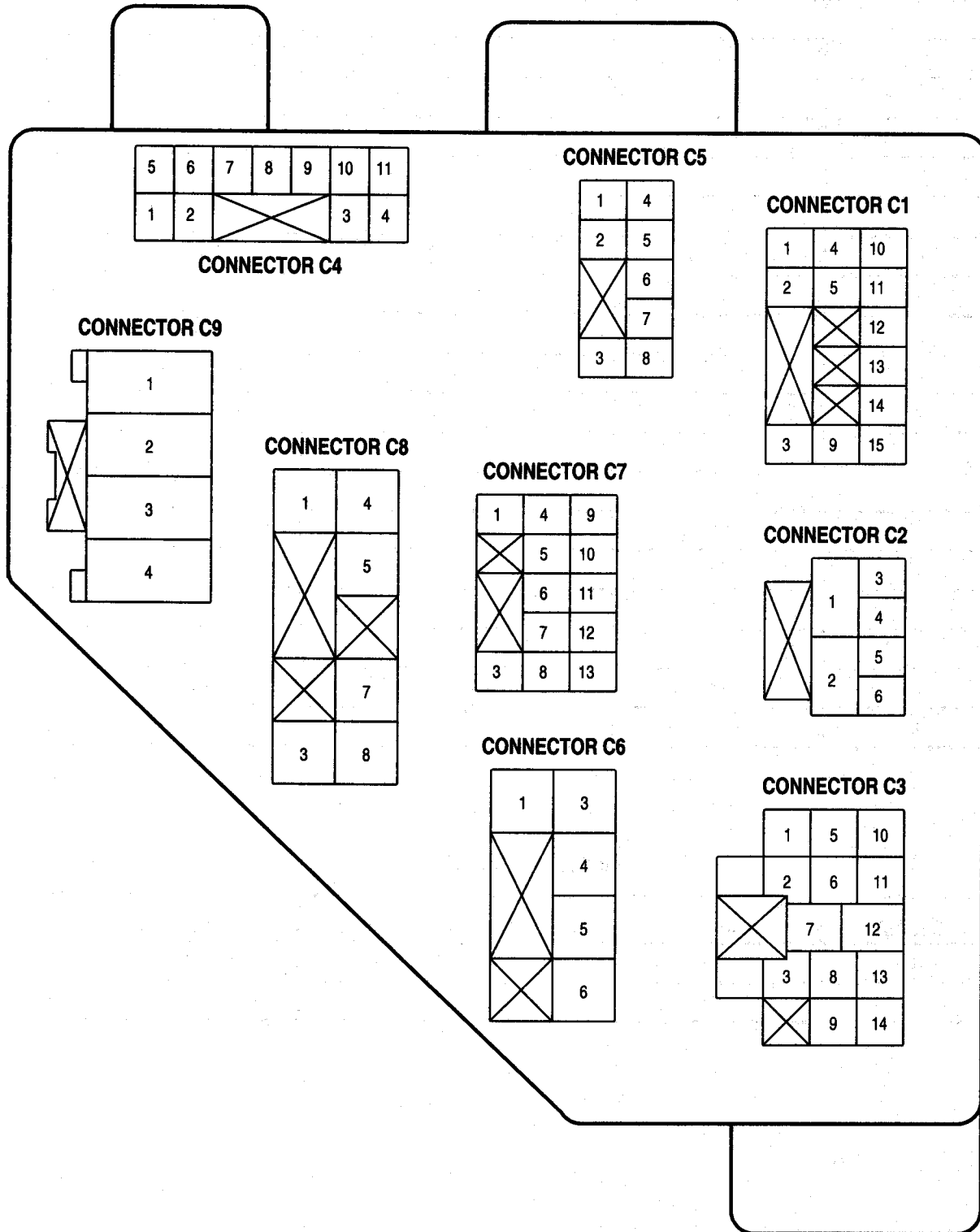
## 8W-12 JUNCTION BLOCK

Component	Page	Component	Page
A/C Compressor Clutch Relay	8W-12-10	Fuse 16 (JB)	8W-12-6, 15
A/C Heater Control	8W-12-7	Fuse 17 (JB)	8W-12-6, 8
Airbag Control Module	8W-12-14, 17	Fuse 18 (JB)	8W-12-6, 14, 17
Ash Receiver Lamp	8W-12-18	Fuse 19 (JB)	8W-12-6, 14
Automatic Shutdown Relay	8W-12-11	Fuse B (PDC)	8W-12-16
Back-Up Lamp Switch	8W-12-18	G102	8W-12-8
Blower Motor Relay	8W-12-8	G201	8W-12-16
Cargo Lamp No. 1	8W-12-12	Glove Box Lamp	8W-12-12
Cargo Lamp No. 2	8W-12-12	Headlamp Switch	8W-12-7
Central Timer Module	8W-12-10	Heated Mirror Switch	8W-12-8
Cigar Lighter	8W-12-15	Ignition Switch	8W-12-6, 12
Circuit Breaker 1 (JB)	8W-12-6, 17	Instrument Cluster	8W-12-7, 8
Circuit Breaker 2 (JB)	8W-12-14	Intake Air Heater Relay No. 1	8W-12-11
Combination Flasher	8W-12-15, 16	Intake Air Heater Relay No. 2	8W-12-11
Controller Anti-Lock Brake	8W-12-8, 17	Integrated Electronic Module	8W-12-9, 10, 13
Cup Holder Lamp	8W-12-18	Intermittent Wiper Switch	8W-12-9, 13
Data Link Connector	8W-12-12	Joint Connector No. 1	8W-12-8
Day/Night Mirror	8W-12-10	Joint Connector No. 5	8W-12-7, 12
Daytime Running Lamp Module	8W-12-18	Junction Block	8W-12-2, 3, 6, 7, 8, 9, 10, 11, 12, 13, 14, 15, 16, 17, 18
Dome Lamp	8W-12-12	Leak Detection Pump	8W-12-10
Duty Cycle Evap/Purge Solenoid	8W-12-10	Left Door Window/Lock Switch	8W-12-13, 17
EGR Solenoid	8W-12-11	Left Visor/Vanity Lamp	8W-12-12
Fog Lamp Switch	8W-12-7	Overhead Console	8W-12-7, 10, 12
Fuel Heater Relay	8W-12-10	Overhead Map/Courtesy Lamps	8W-12-12
Fuel Pump Relay	8W-12-11	Park/Neutral Position Switch	8W-12-18
Fuel Shut Down Solenoid	8W-12-11	Passenger Airbag Disarm Switch	8W-12-14
Fuse 1 (JB)	8W-12-7	Power Distribution Center	8W-12-16
Fuse 2 (JB)	8W-12-6, 8	Power Mirror Switch	8W-12-12
Fuse 3 (JB)	8W-12-6, 8, 17	Power Seat Switch	8W-12-14
Fuse 4 (JB)	8W-12-7	Powertrain Control Module	8W-12-11
Fuse 5 (JB)	8W-12-7	Radio	8W-12-7, 12, 15
Fuse 6 (JB)	8W-12-6, 9, 13	Radio Choke Relay	8W-12-7
Fuse 7 (JB)	8W-12-6, 18	Right Door Window/Lock Switch	8W-12-13, 17
Fuse 8 (JB)	8W-12-6, 15	Right Visor/Vanity Lamp	8W-12-12
Fuse 9 (JB)	8W-12-6, 11	Seatbelt Control Module	8W-12-12, 15
Fuse 10 (JB)	8W-12-6, 15, 16	Seatbelt Switch	8W-12-10
Fuse 11 (JB)	8W-12-6, 10	Turn Signal/Hazard Switch	8W-12-16
Fuse 12 (JB)	8W-12-12	Underhood Lamp	8W-12-12
Fuse 13 (JB)	8W-12-13	Wiper Motor	8W-12-9
Fuse 14 (JB)	8W-12-7	Wiper Motor Relay	8W-12-9
Fuse 15 (JB)	8W-12-6, 15		

JUNCTION BLOCK  
(FRONT VIEW)



JUNCTION BLOCK  
(REAR VIEW)



## FUSES

FUSE NO.	AMPS	FUSED CIRCUIT	FEED CIRCUIT
1	15A	F33	BATT A7
2	10A	F15	RUN A22
3	10A	A20	RUN A22
4	10A	X60	BATT A7
5	5A	E2	E1
6	25A	V6	RUN-ACC A31
7	10A	L10	RUN A22
8	10A	X12	RUN-ACC A31
9	10A	F18	ST-RUN A21
10	10A	COMBO. FLASHER	RUN-ACC A31
11	10A	F12	ST-RUN A21
12	10A	M1	BATT A7
13	10A	F35	BATT A7
14	10A	F73	BATT A7
15	20A	F30	RUN-ACC A31
16	10A	F13	RUN-ACC A31
17	10A	G5	ST-RUN A21
18	10A	F23	RUN A22
19	10A	F14	ST-RUN A21

## CIRCUIT BREAKERS

C.B. NO.	AMPS	FUSED CIRCUIT	FEED CIRCUIT
C.B.1	20A	F21	RUN A22
C.B.2	20A	F37	BATT A7

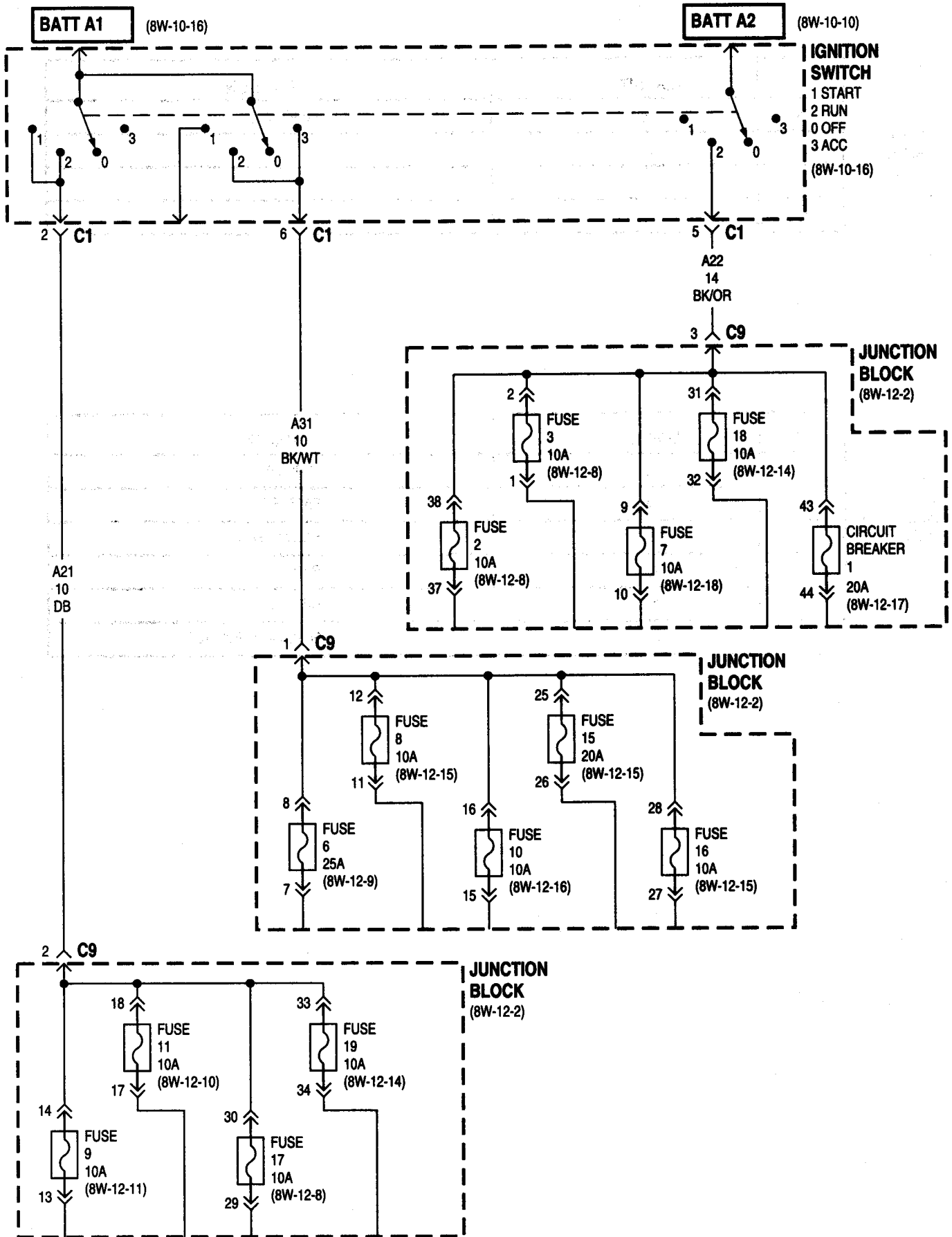


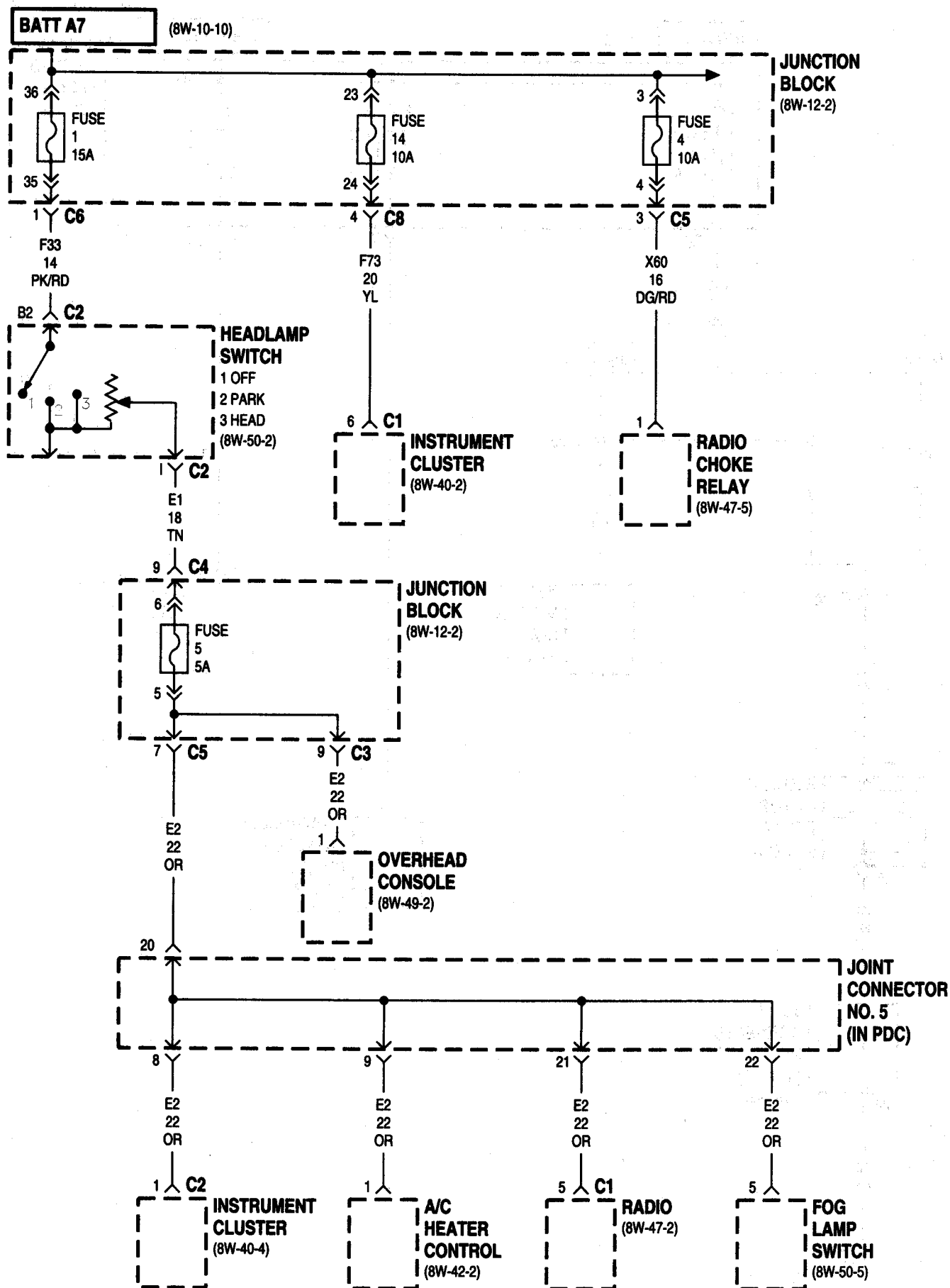
SPARE  
RELAY

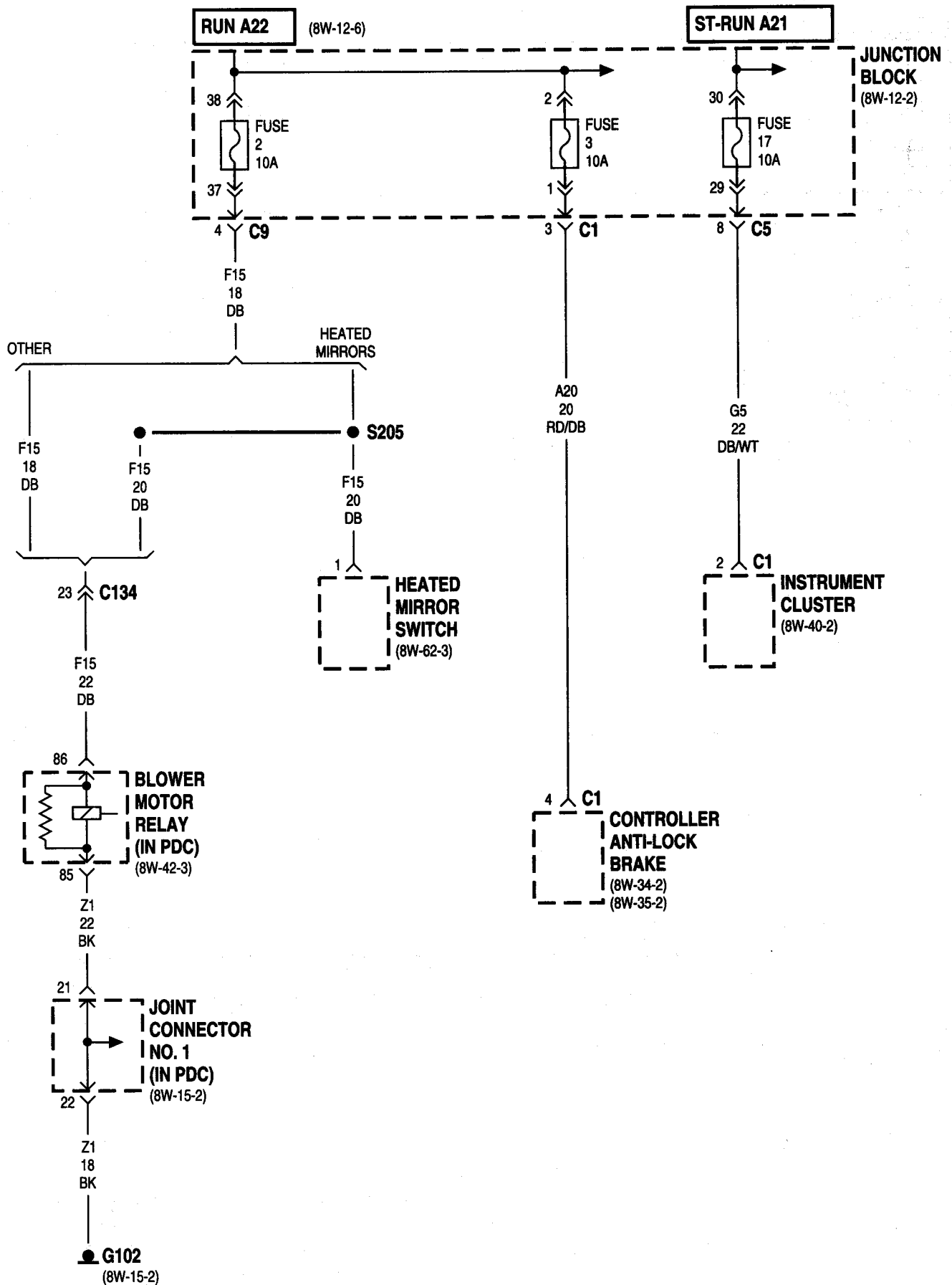
CAV	CIRCUIT	FUNCTION
39	F33	FUSED B(+)
40	-	-
41	-	-
42	-	-

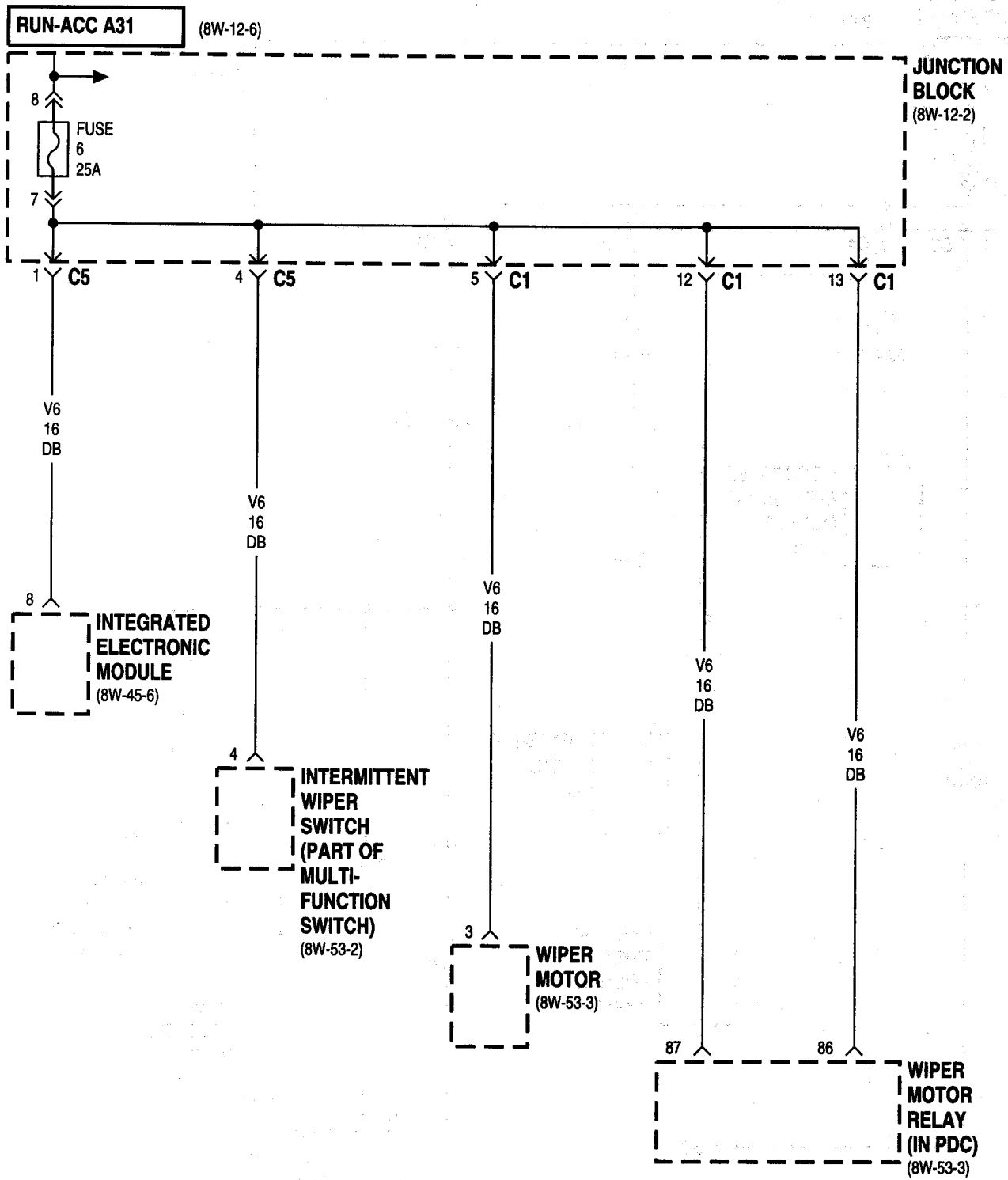
COMBINATION  
FLASHER

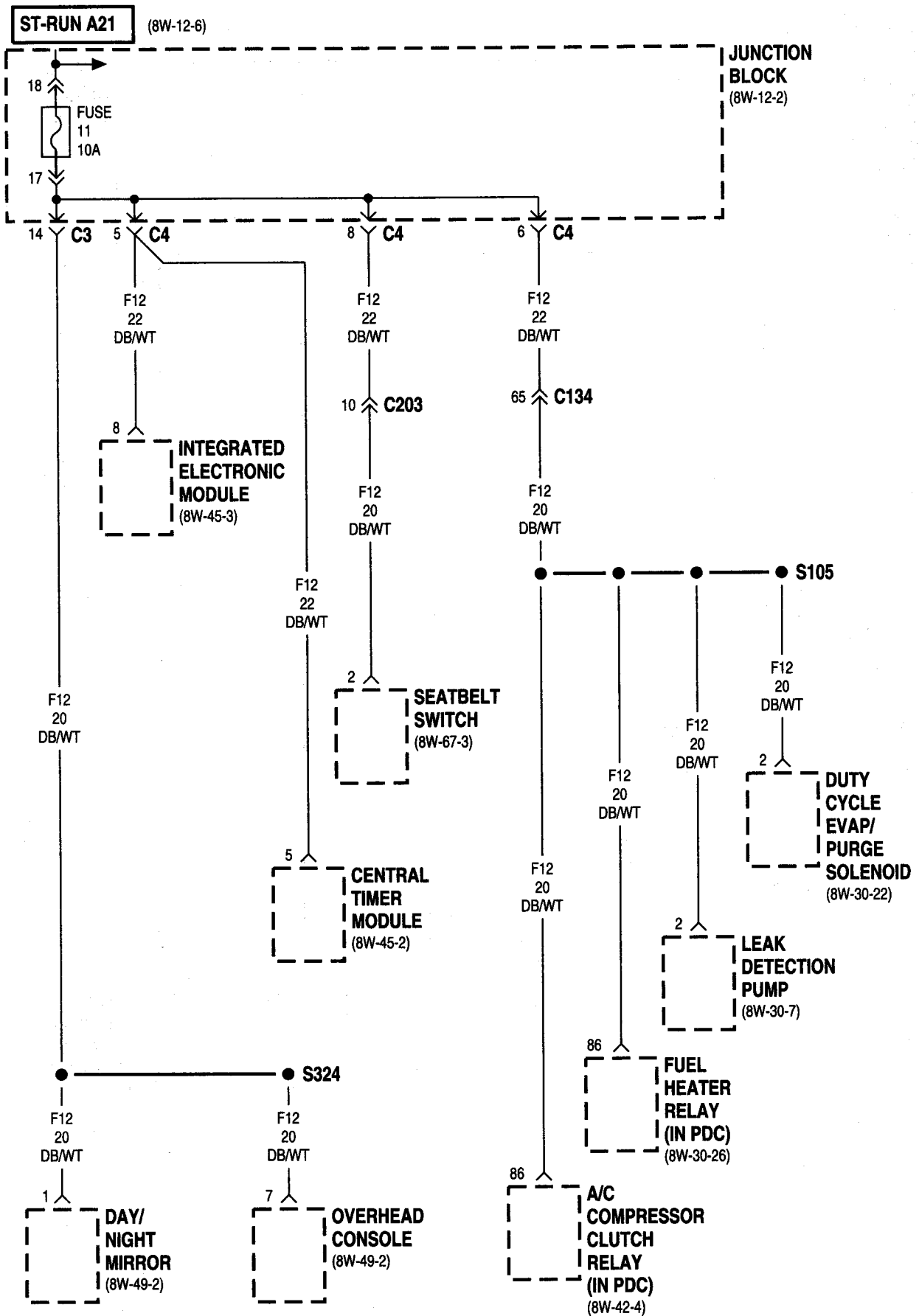
CAV	CIRCUIT	FUNCTION
47	L6	TURN SWITCH
48	L9	BATTERY
49	L19	HAZARD SWITCH
50	Z3	GROUND
	Z3	GROUND
51	L5	FUSED IGN. (RUN-ACC)

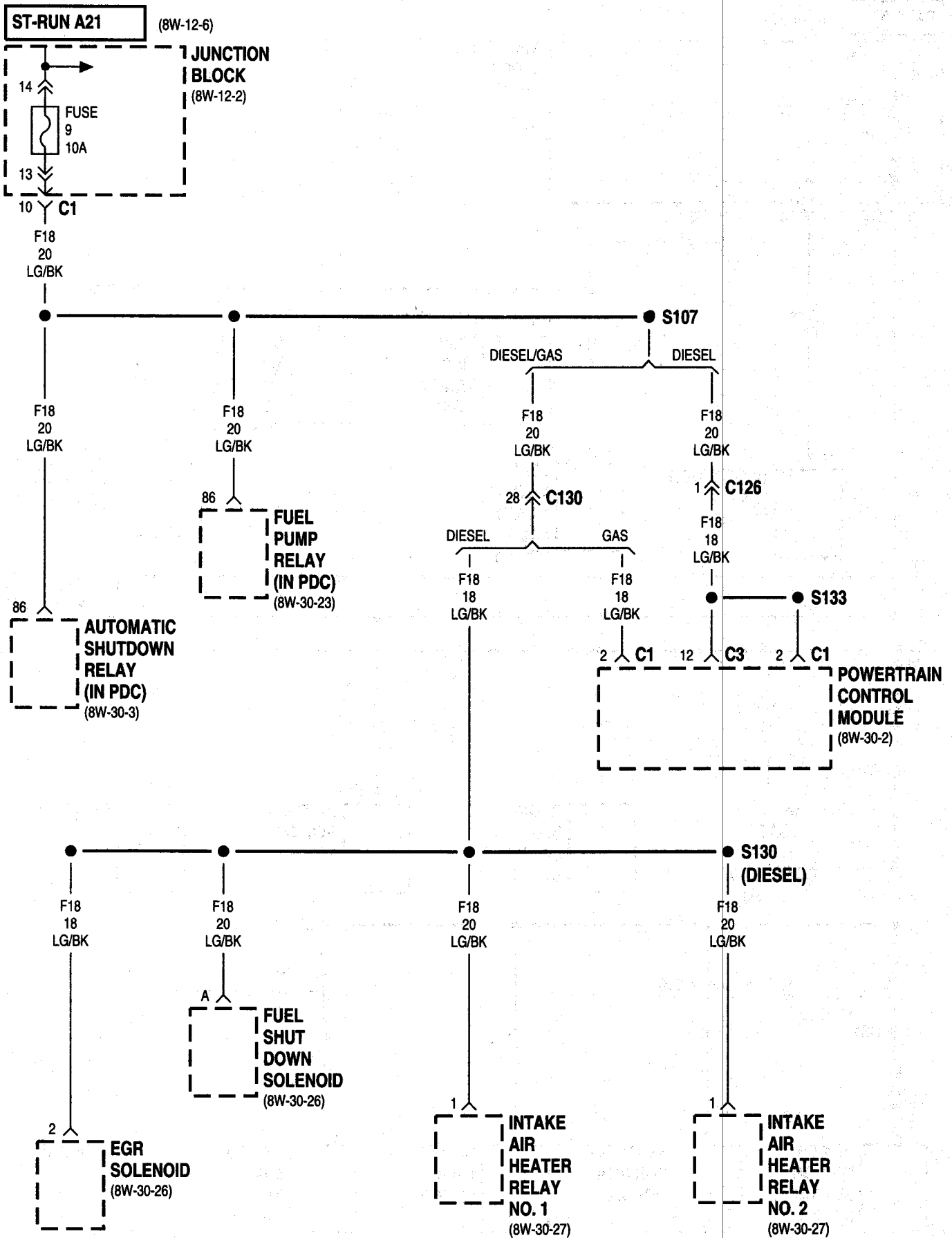


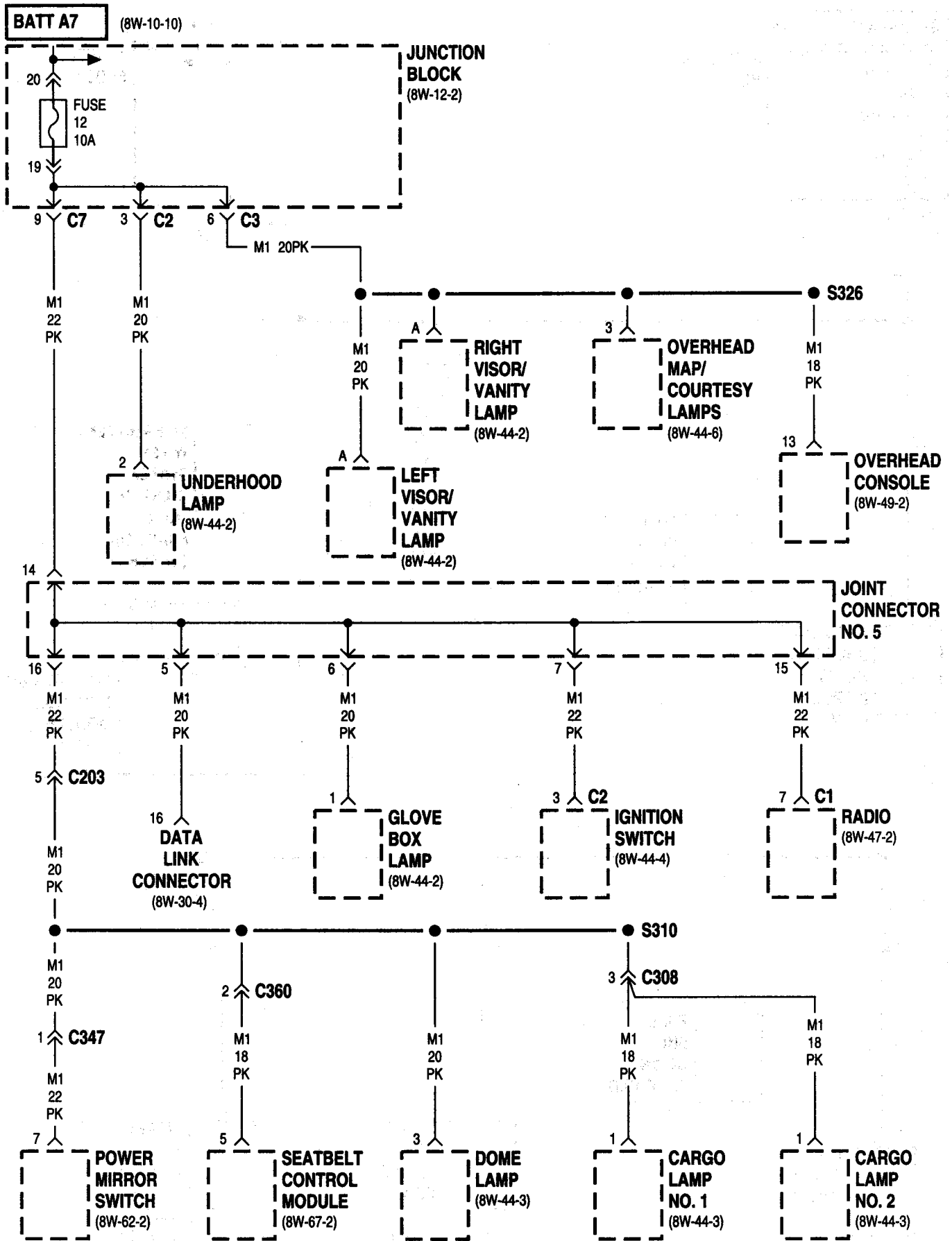




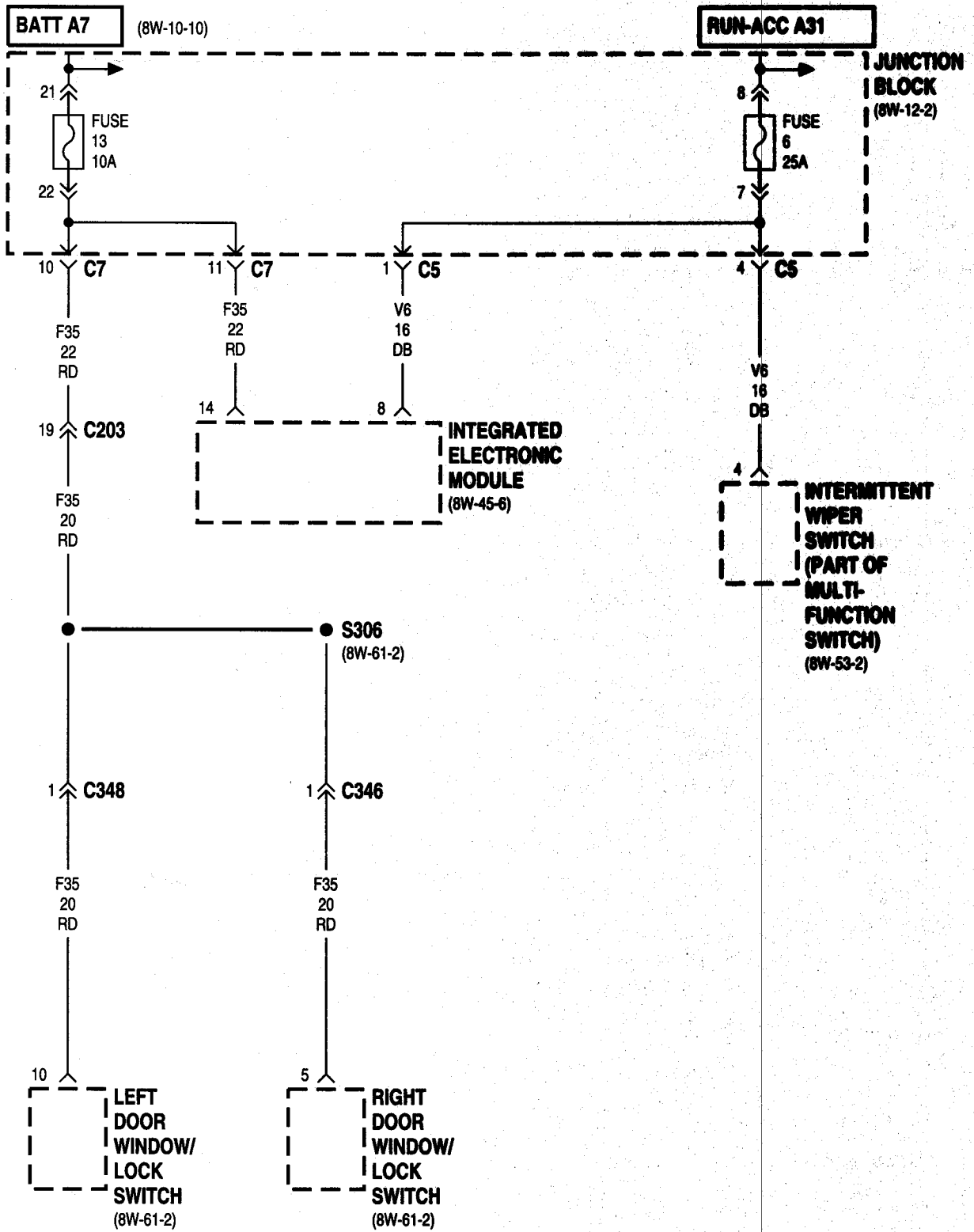


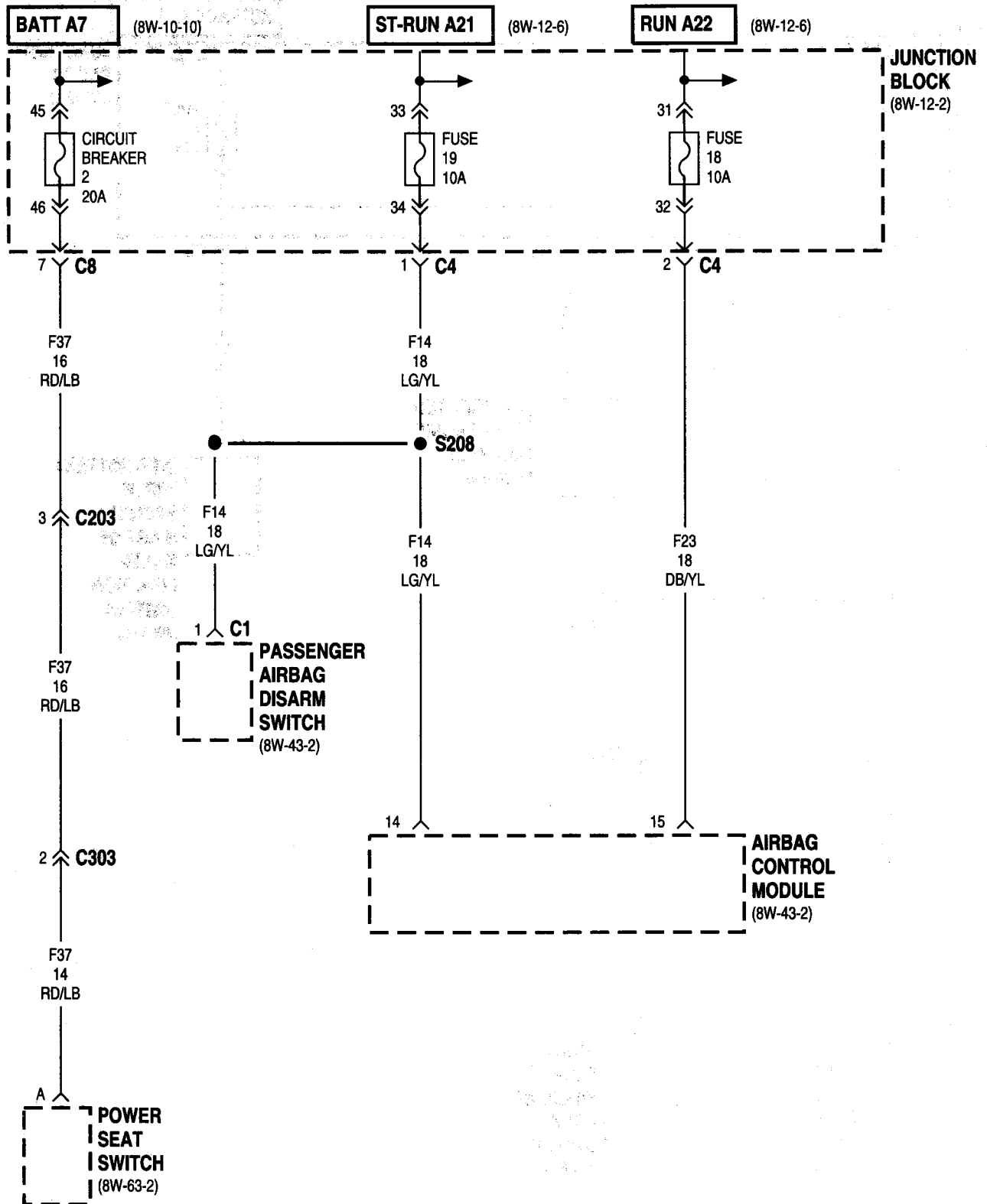


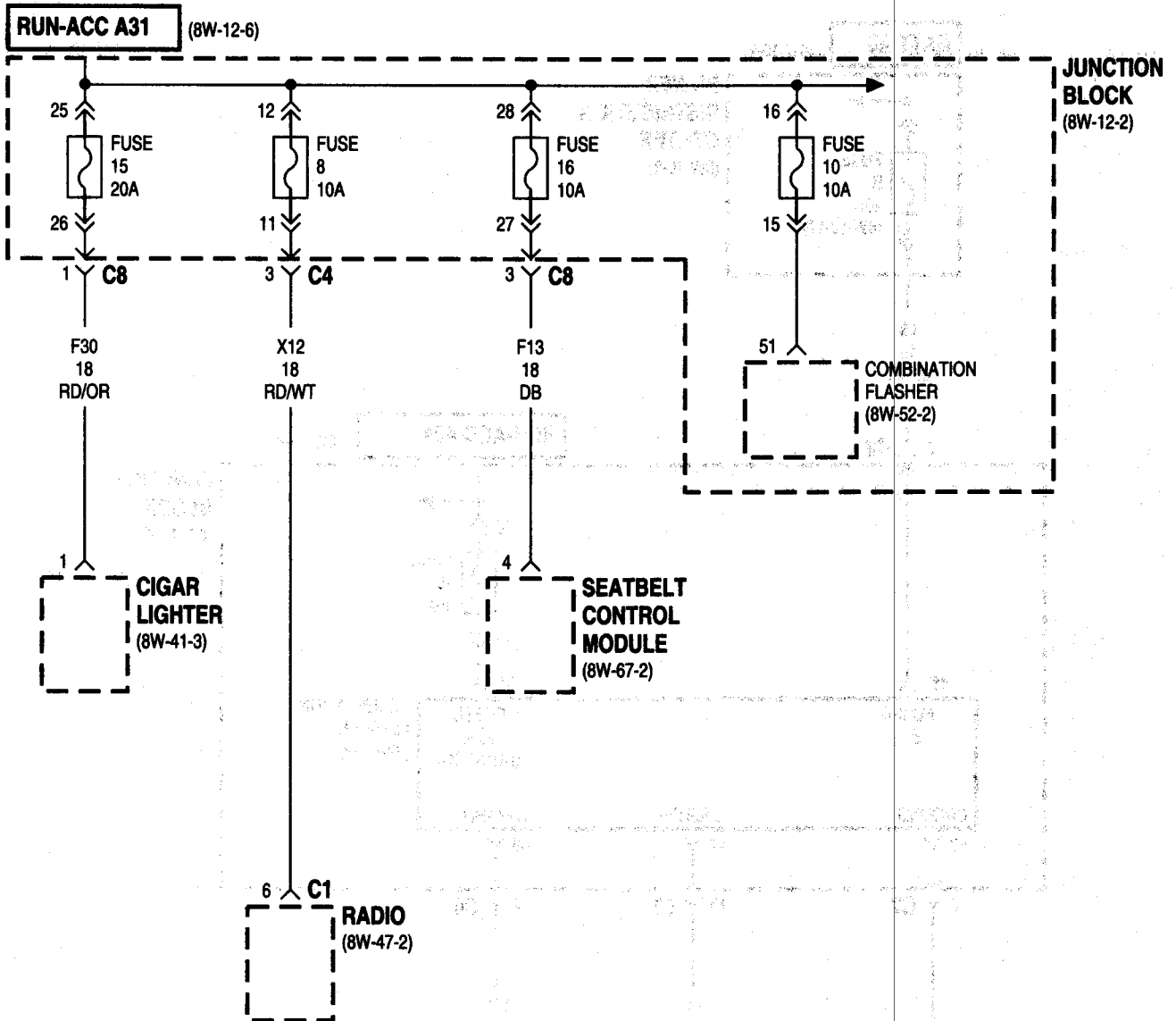


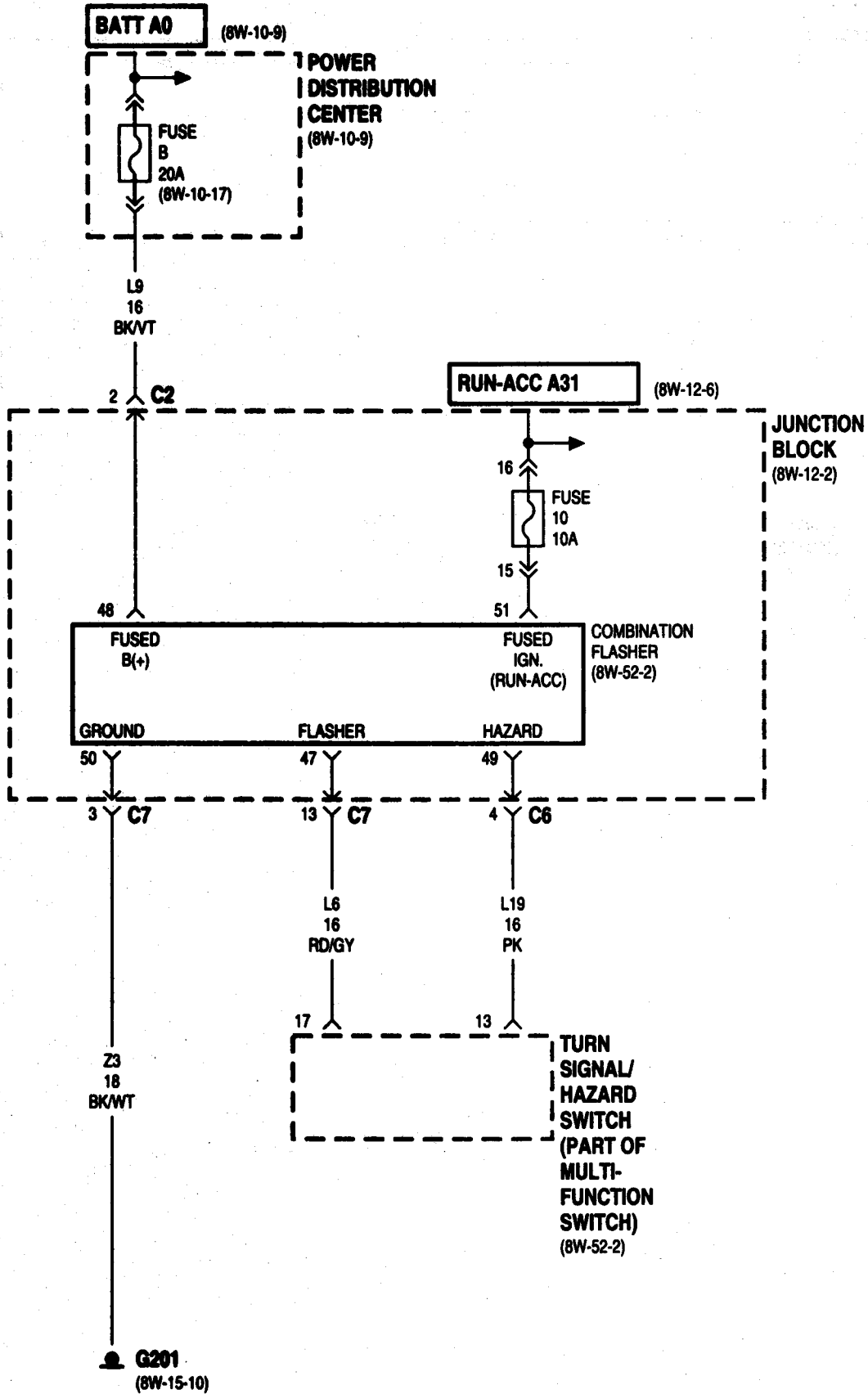


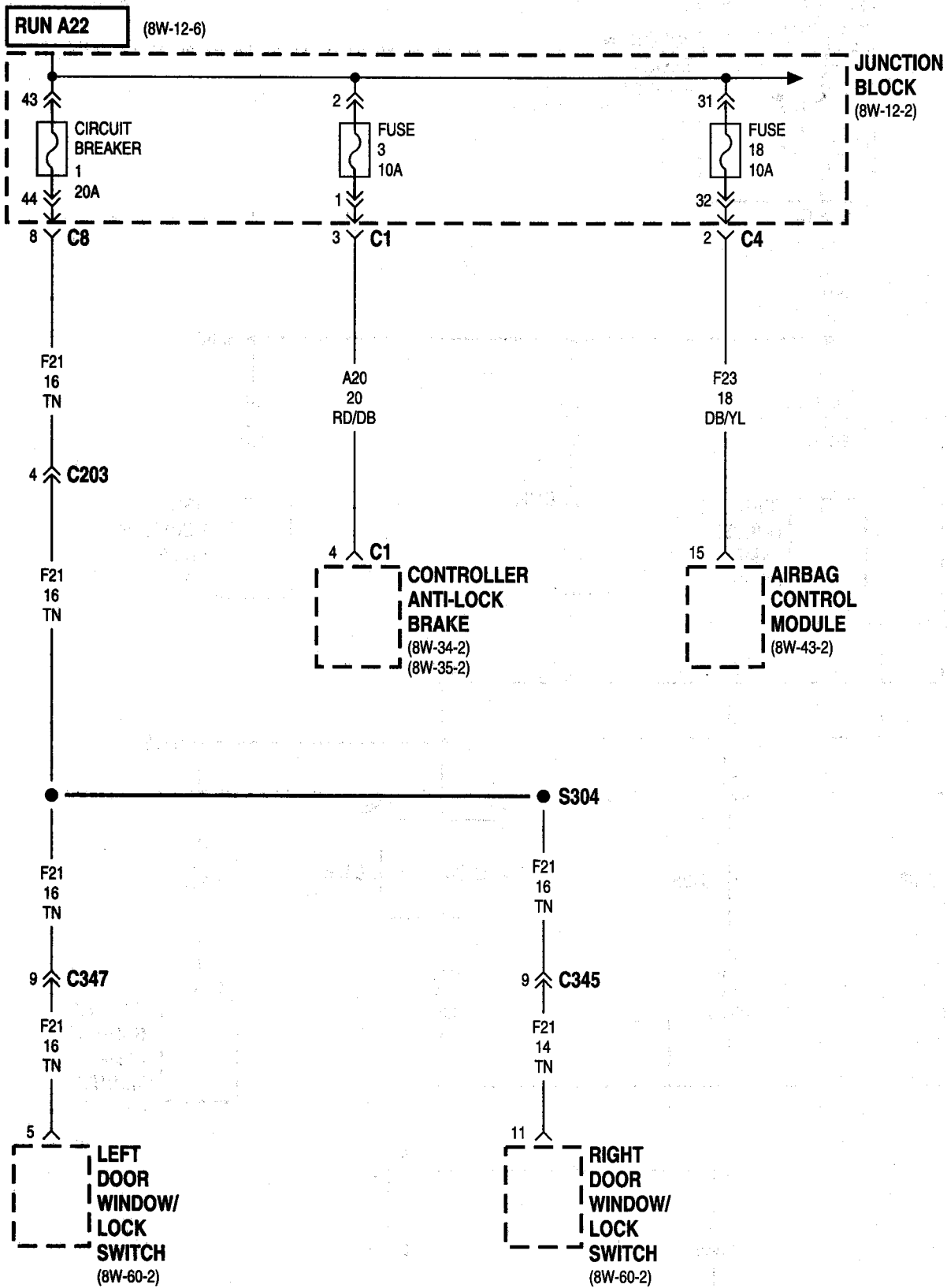


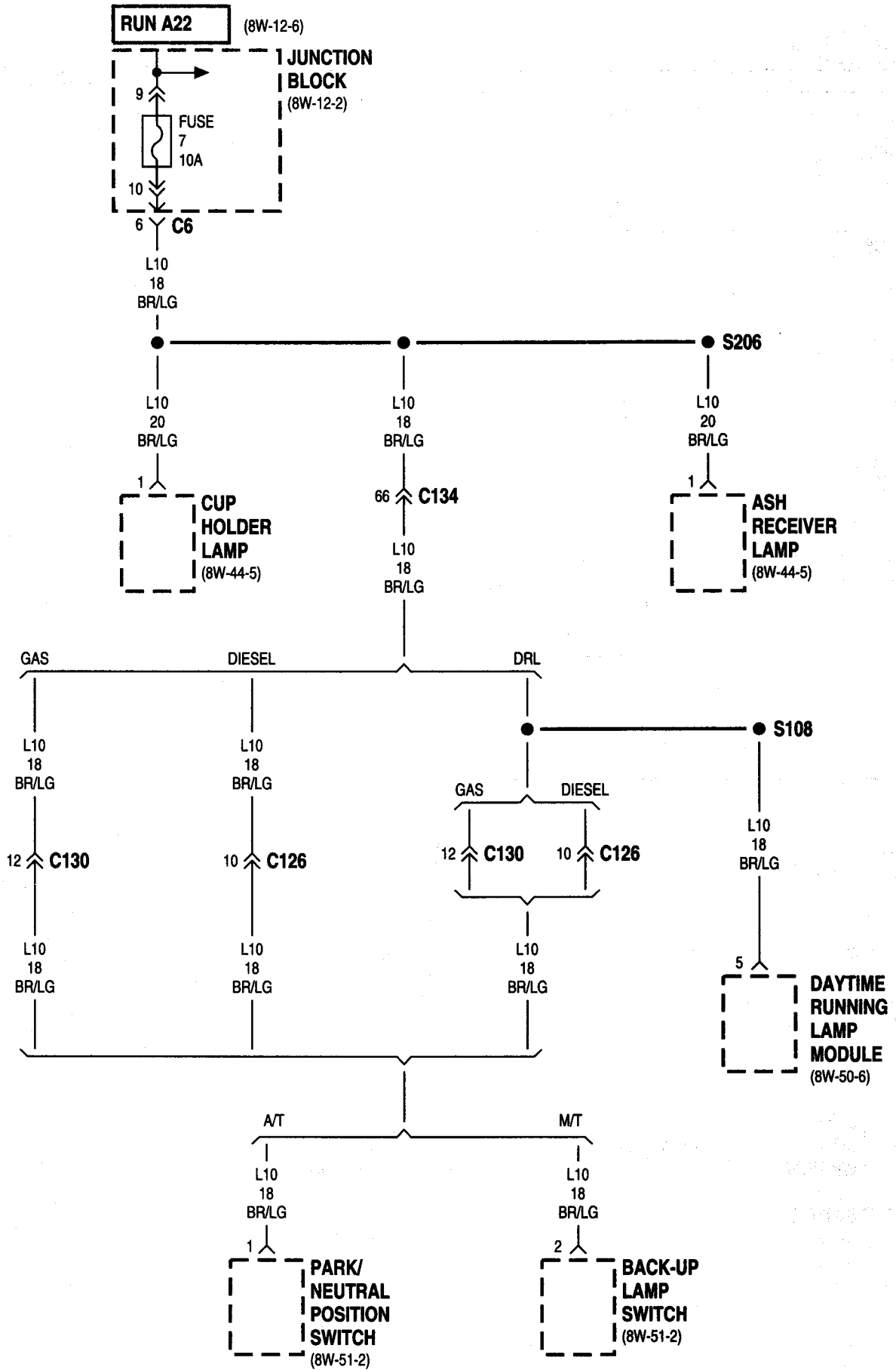






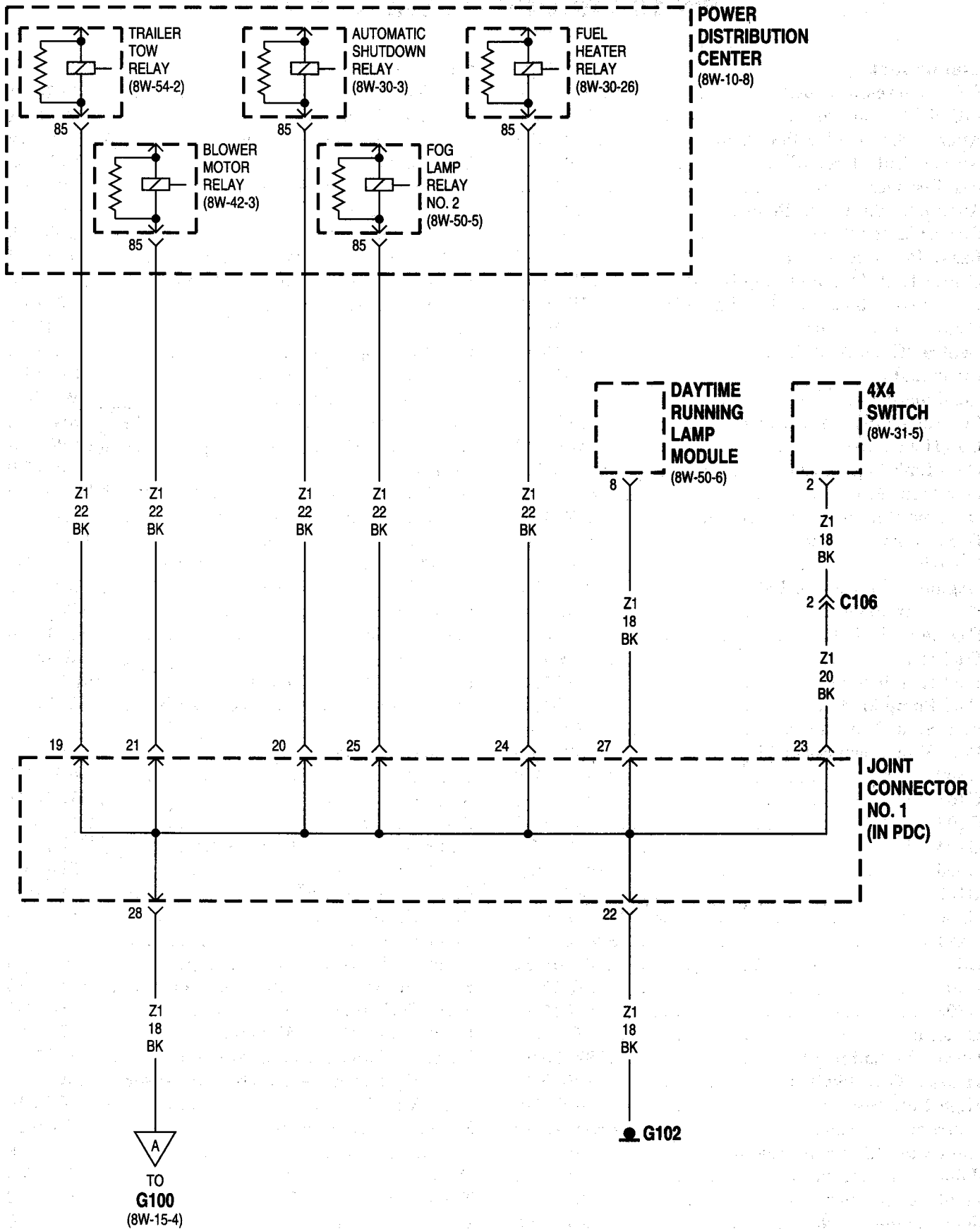




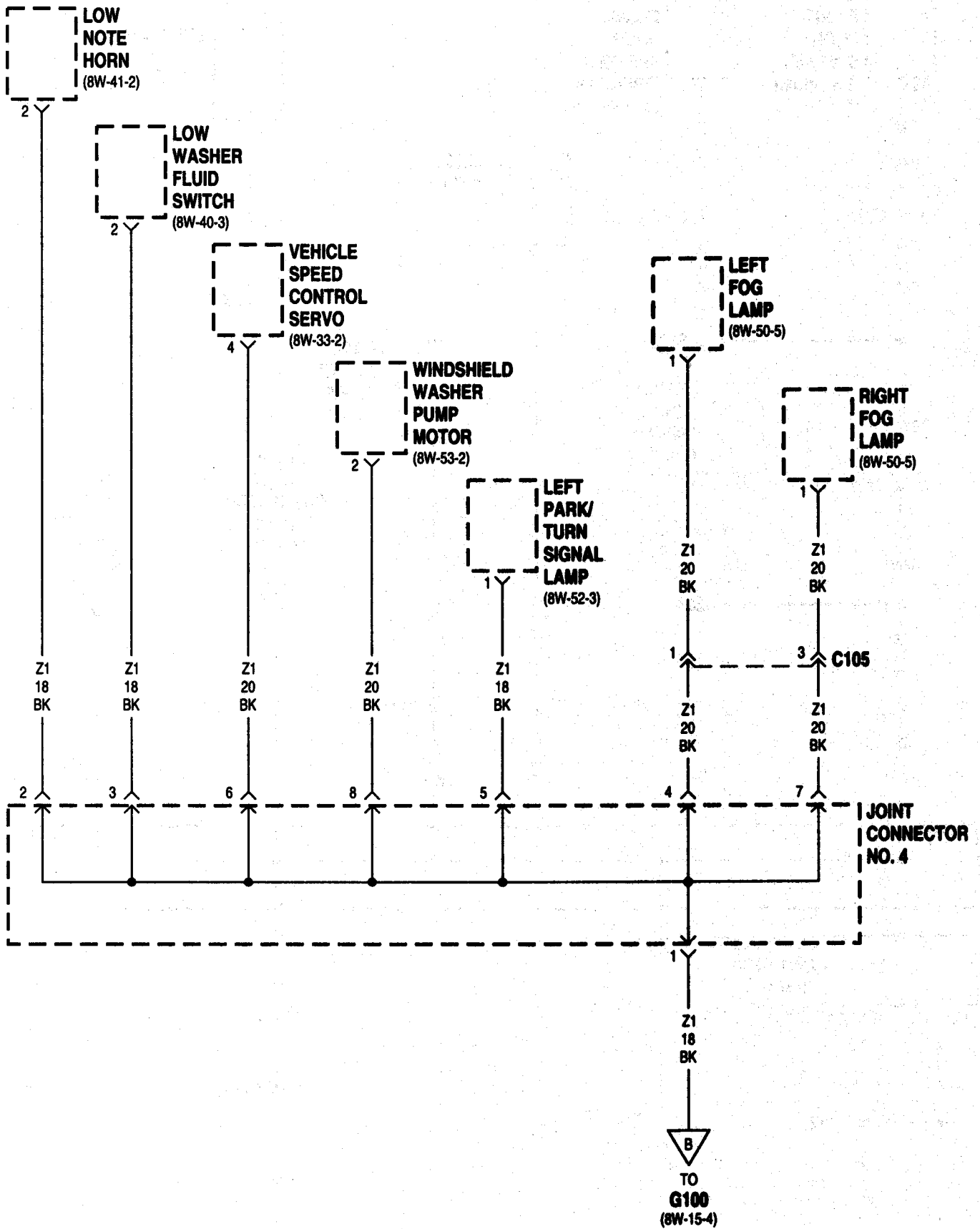


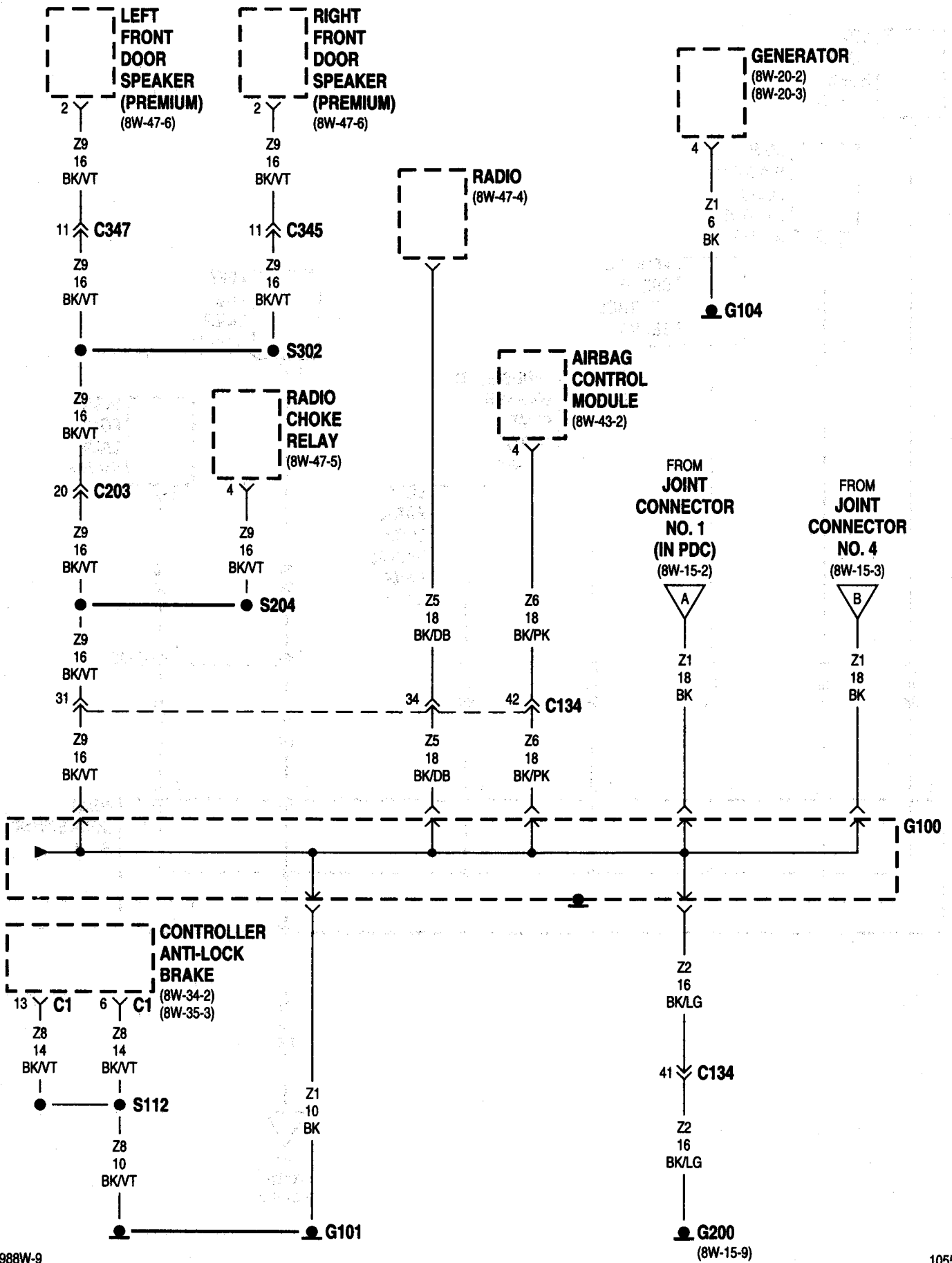
## 8W-15 GROUND DISTRIBUTION

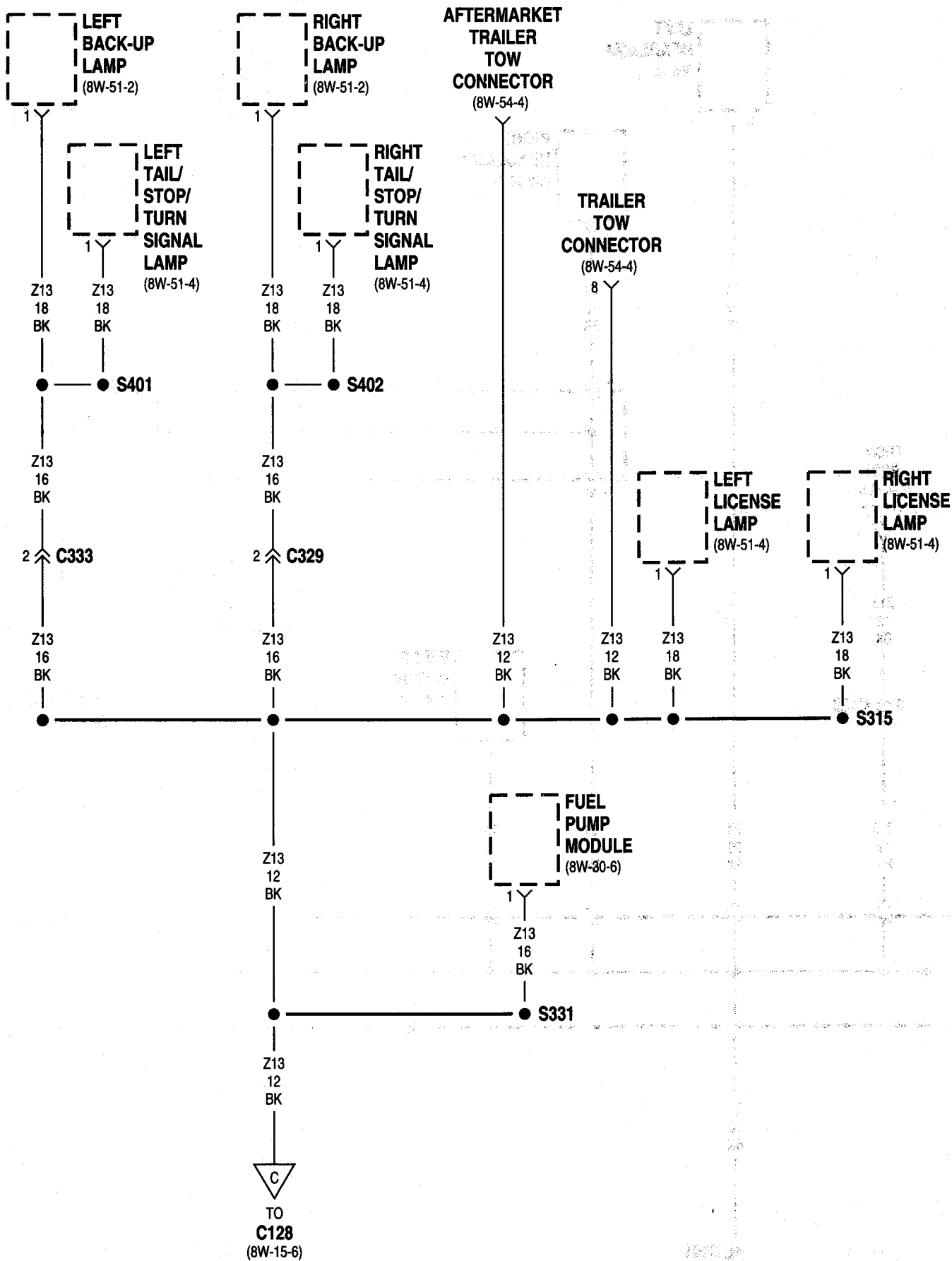
Component	Page	Component	Page
A/C Compressor Clutch	8W-15-7, 8	Left Door Disarm Switch	8W-15-11
A/C Heater Control	8W-15-10	Left Door Jamb Switch	8W-15-11
Aftermarket Trailer Tow Connector	8W-15-5	Left Door Window/Lock Switch	8W-15-11, 12
Airbag Control Module	8W-15-4	Left Fog Lamp	8W-15-3
Ash Receiver Lamp	8W-15-10	Left Front Door Speaker	8W-15-4
Automatic Shutdown Relay	8W-15-2	Left Headlamp	8W-15-6
Blower Motor Relay	8W-15-2	Left License Lamp	8W-15-5
Brake Pressure Switch	8W-15-6	Left Outboard Clearance Lamp	8W-15-13
Center High Mounted Stop Lamp No. 1	8W-15-12	Left Outboard Identification Lamp	8W-15-13
Center High Mounted Stop Lamp No. 2	8W-15-12	Left Park/Turn Signal Lamp	8W-15-3
Center Identification Lamp	8W-15-13	Left Power Mirror Motors	8W-15-11
Central Timer Module	8W-15-10	Left Tail/Stop/Turn Signal Lamp	8W-15-5
Cigar Lighter	8W-15-10	Left Upstream Heated Oxygen Sensor	8W-15-7
Combination Flasher	8W-15-10	Left Visor/Vanity Lamp	8W-15-10
Controller Anti-Lock Brake	8W-15-4	Low Note Horn	8W-15-3
Cup Holder Lamp	8W-15-10	Low Washer Fluid Switch	8W-15-3
Data Link Connector	8W-15-7, 8	Overdrive Switch	8W-15-9
Day/Night Mirror	8W-15-10	Overhead Console	8W-15-9, 10
Daytime Running Lamp Module	8W-15-2	Overhead Map/Courtesy Lamps	8W-15-10
Driver Seat Solenoid	8W-15-12	Passenger Seat Solenoid	8W-15-12
Electric Brake	8W-15-10	Post-Catalyst Heated Oxygen Sensor	8W-15-7
Engine Starter Motor Relay	8W-15-7, 8	Power Distribution Center	8W-15-2
Fog Lamp Relay No. 2	8W-15-2	Power Mirror Switch	8W-15-11
Fog Lamp Switch	8W-15-10	Power Outlet	8W-15-10
Fuel Heater	8W-15-8	Power Seat Switch	8W-15-12
Fuel Heater Relay	8W-15-2	Powertrain Control Module	8W-15-7, 8
Fuel Pump Module	8W-15-5	Pre-Catalyst Heated Oxygen Sensor	8W-15-7
Fuel Shut Down Relay	8W-15-8	Radio	8W-15-4
Fuel Shut Down Solenoid	8W-15-8	Radio Choke Relay	8W-15-4
G100	8W-15-4, 6, 9	Right Back-Up Lamp	8W-15-5
G101	8W-15-4, 6	Right Door Disarm Switch	8W-15-11
G102	8W-15-2	Right Door Jamb Switch	8W-15-11
G104	8W-15-4	Right Door Window/Lock Switch	8W-15-11
G105	8W-15-7, 8	Right Fog Lamp	8W-15-3
G106	8W-15-8	Right Front Door Speaker	8W-15-4
G200	8W-15-4, 6, 9, 10	Right Headlamp	8W-15-6
G201	8W-15-9, 10	Right License Lamp	8W-15-5
G300	8W-15-11	Right Outboard Clearance Lamp	8W-15-13
G301	8W-15-12	Right Outboard Identification Lamp	8W-15-13
G302	8W-15-13	Right Park/Turn Signal Lamp	8W-15-6
Generator	8W-15-4	Right Power Mirror Motors	8W-15-11
Glove Box Lamp	8W-15-10	Right Tail/Stop/Turn Signal Lamp	8W-15-5
Heated Mirror Switch	8W-15-10	Right Upstream Heated Oxygen Sensor	8W-15-7
High Note Horn	8W-15-6	Right Visor/Vanity Lamp	8W-15-10
Instrument Cluster	8W-15-9, 10	Seatbelt Control Module	8W-15-11
Integrated Electronic Module	8W-15-9	Stop Lamp Switch	8W-15-9
Joint Connector No. 1	8W-15-2	Trailer Tow Connector	8W-15-5
Joint Connector No. 3	8W-15-6	Trailer Tow Relay	8W-15-2
Joint Connector No. 4	8W-15-3	Underhood Lamp	8W-15-6
Joint Connector No. 5	8W-15-10	Vehicle Speed Control Servo	8W-15-3
Junction Block	8W-15-9, 10	Windshield Washer Pump Motor	8W-15-3
Left Back-Up Lamp	8W-15-5	Wiper Motor	8W-15-6

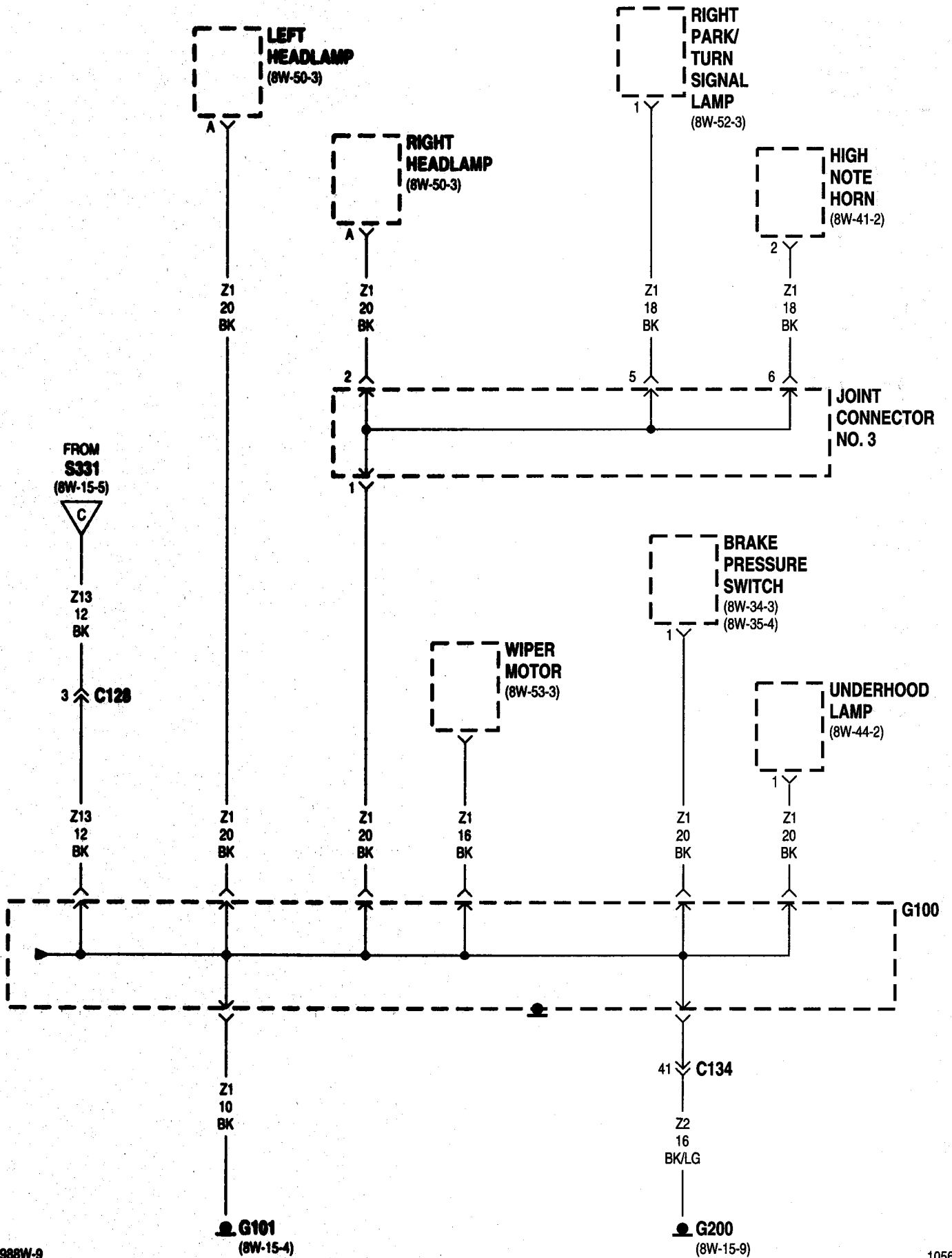


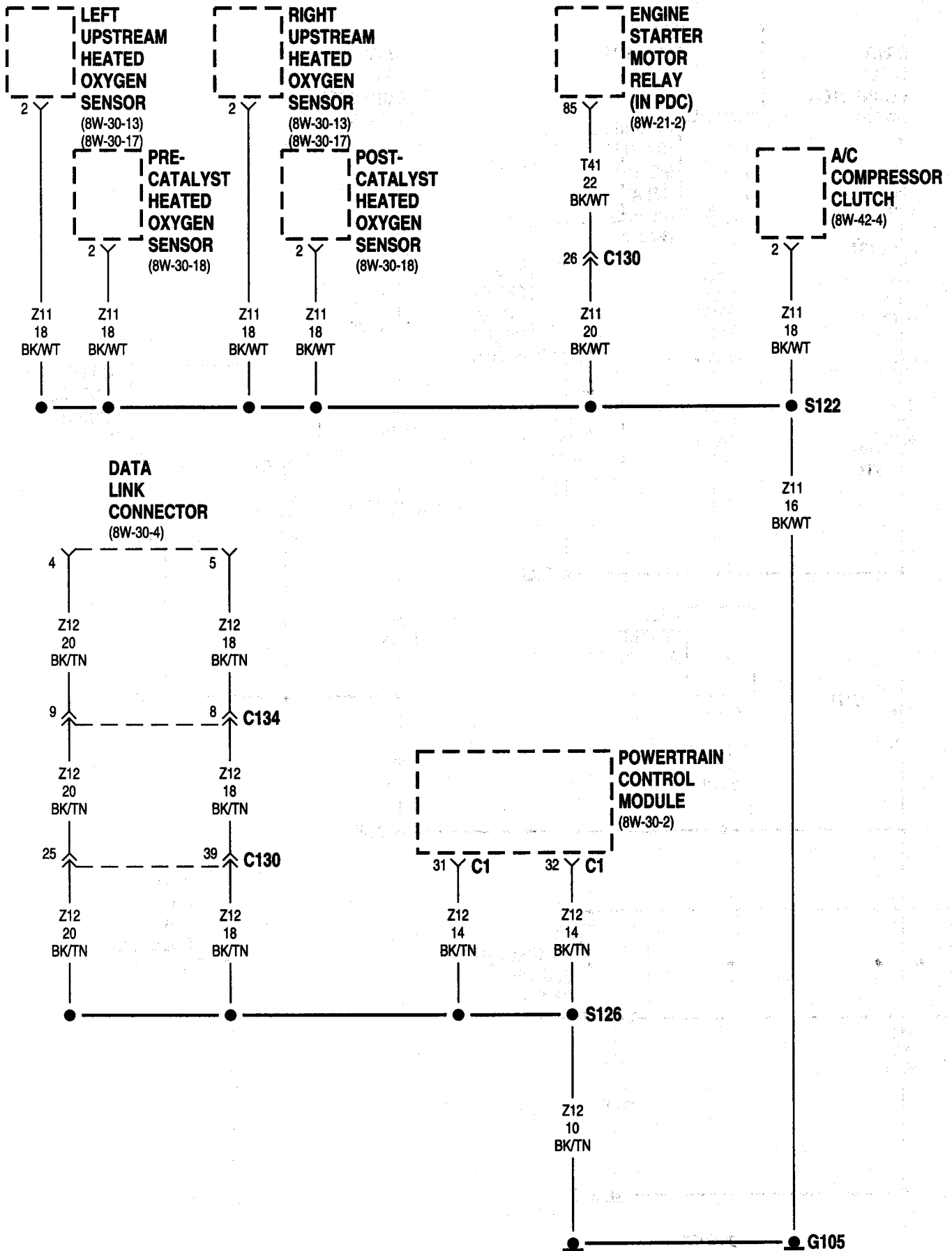


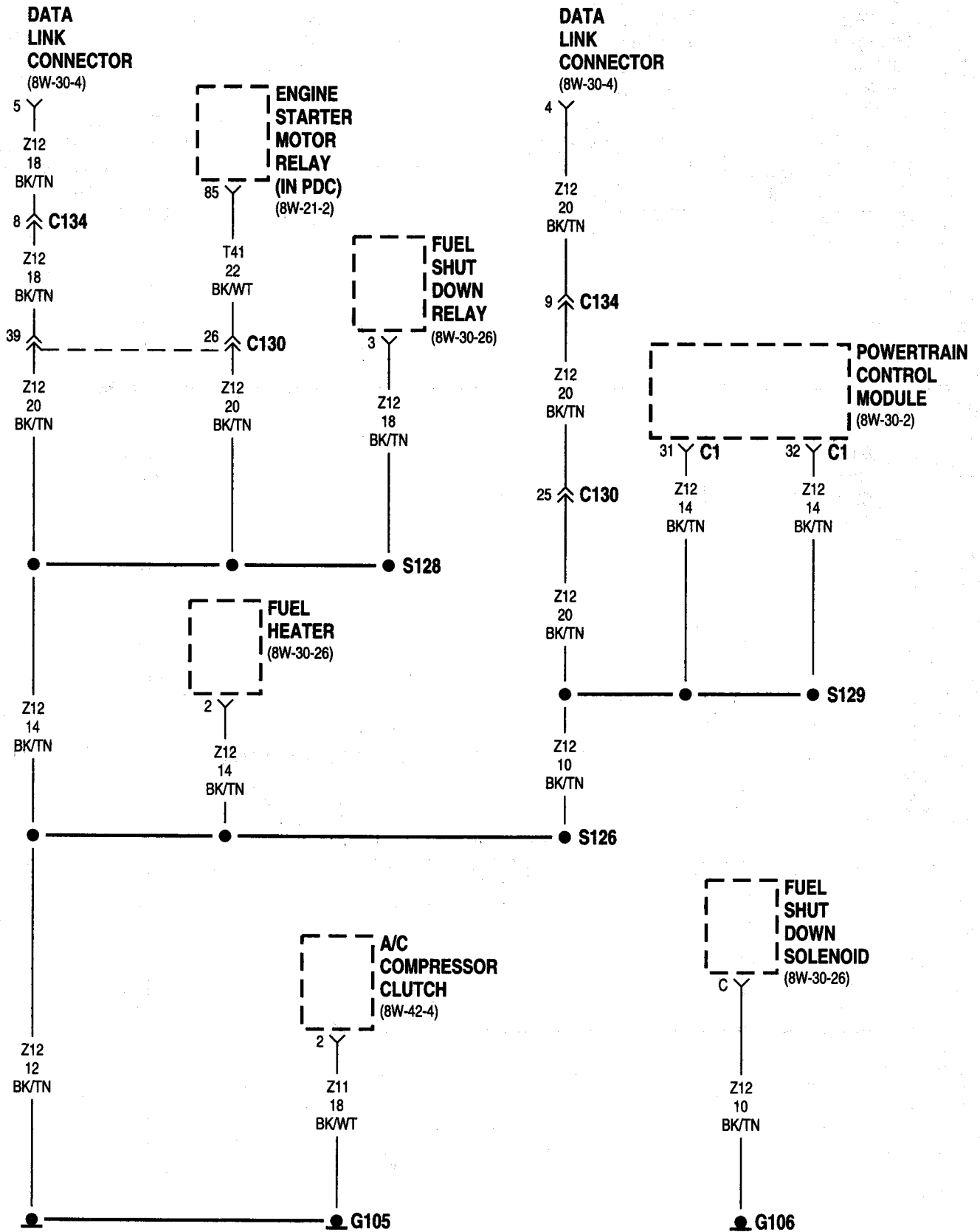


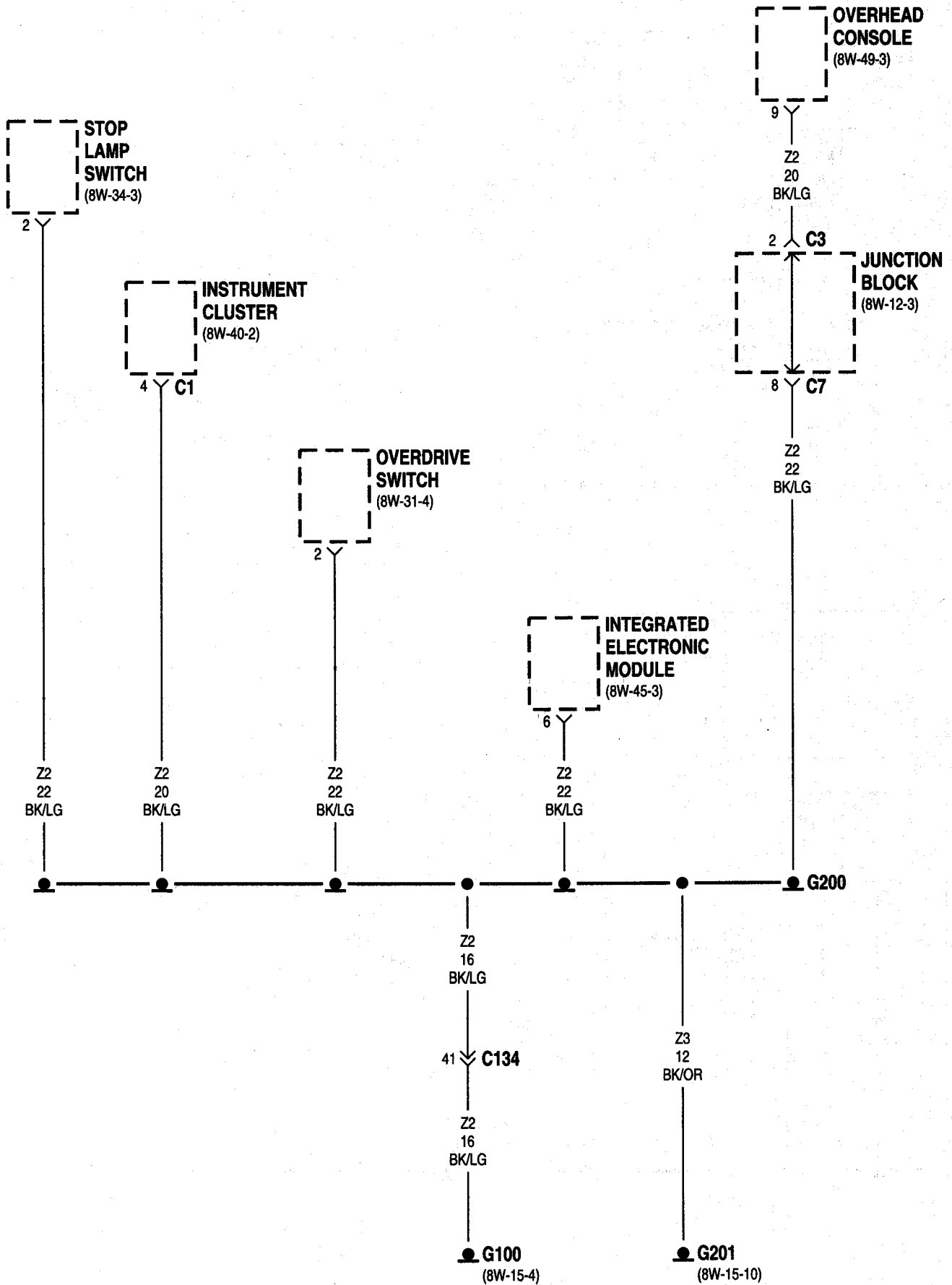


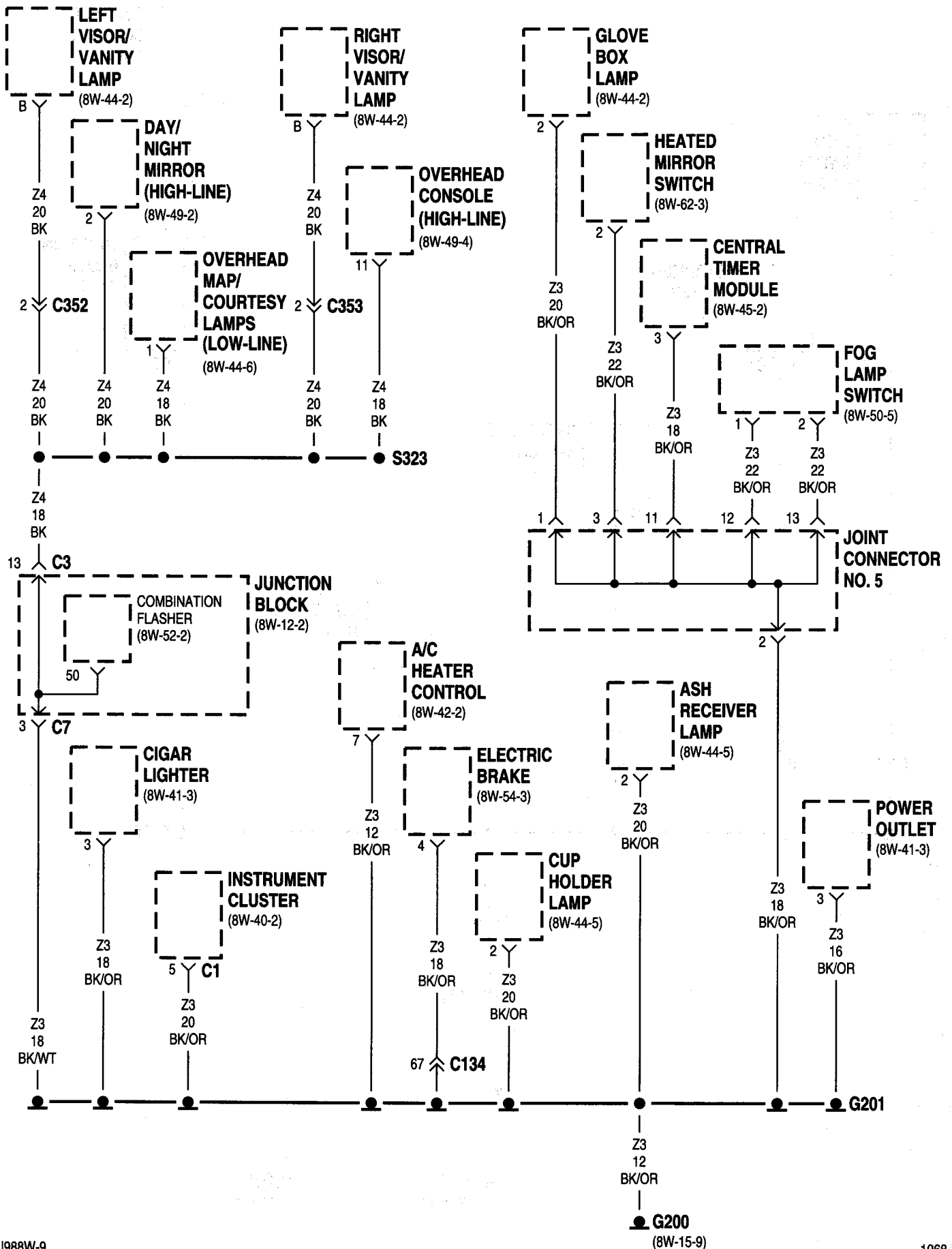




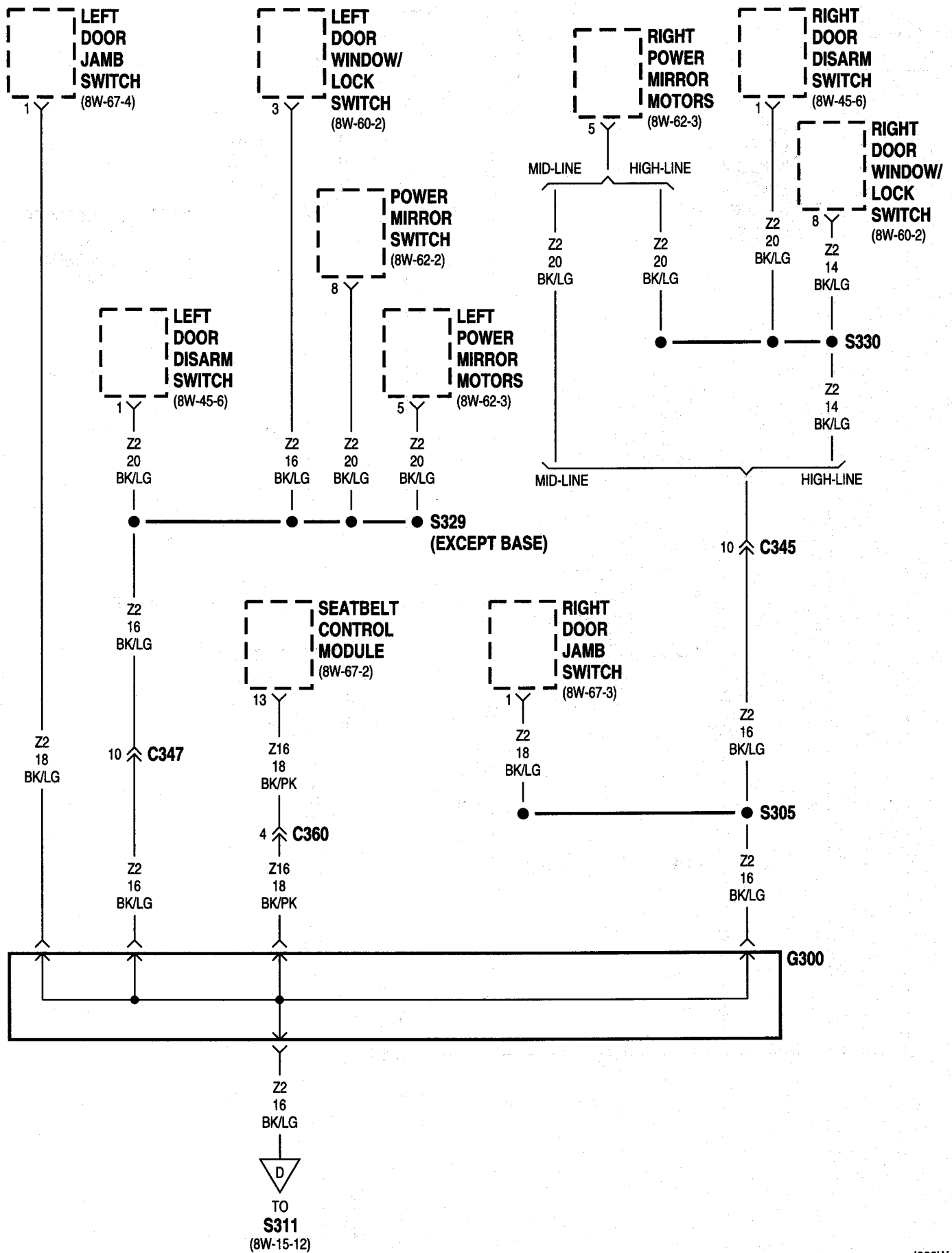


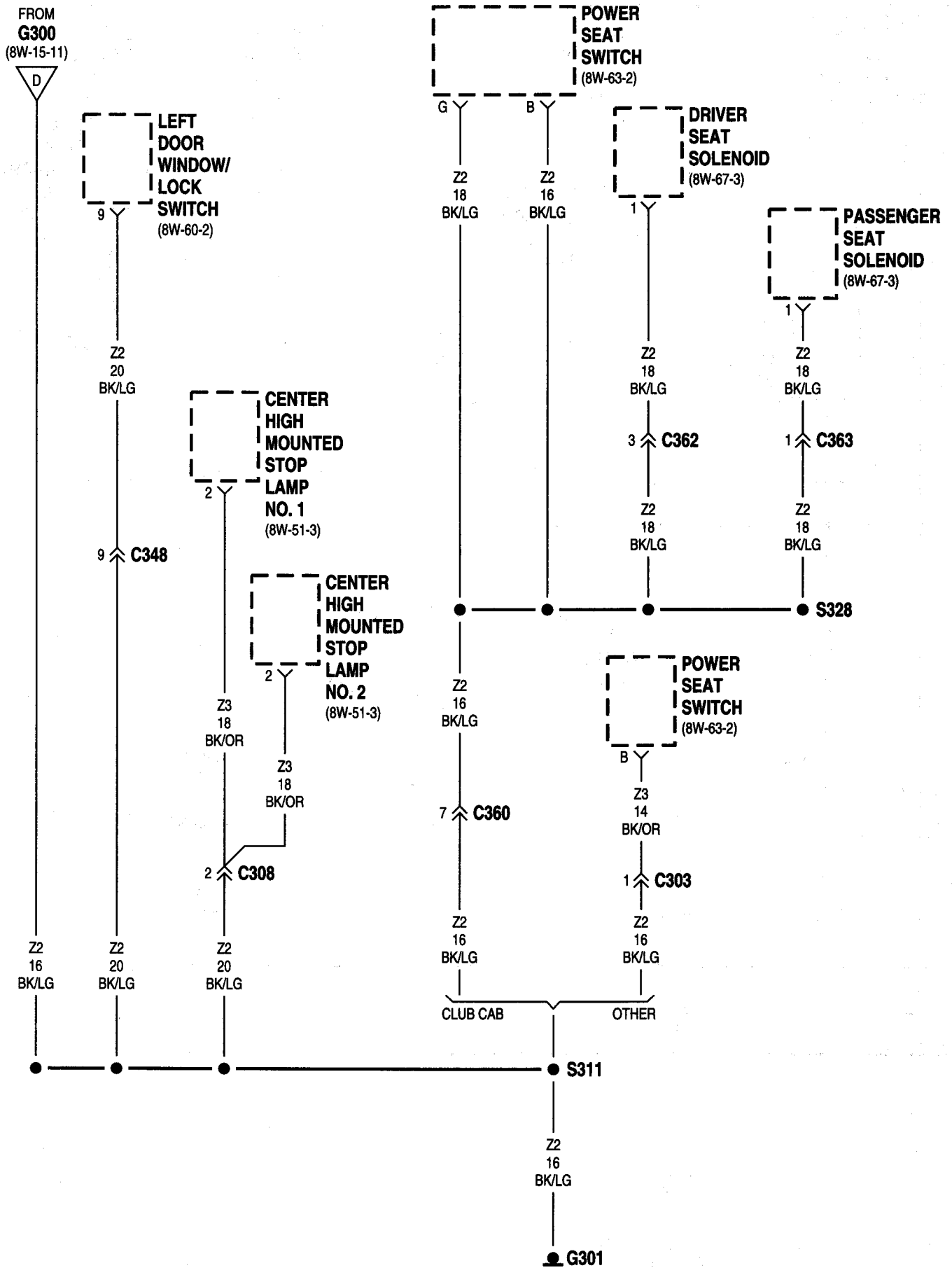


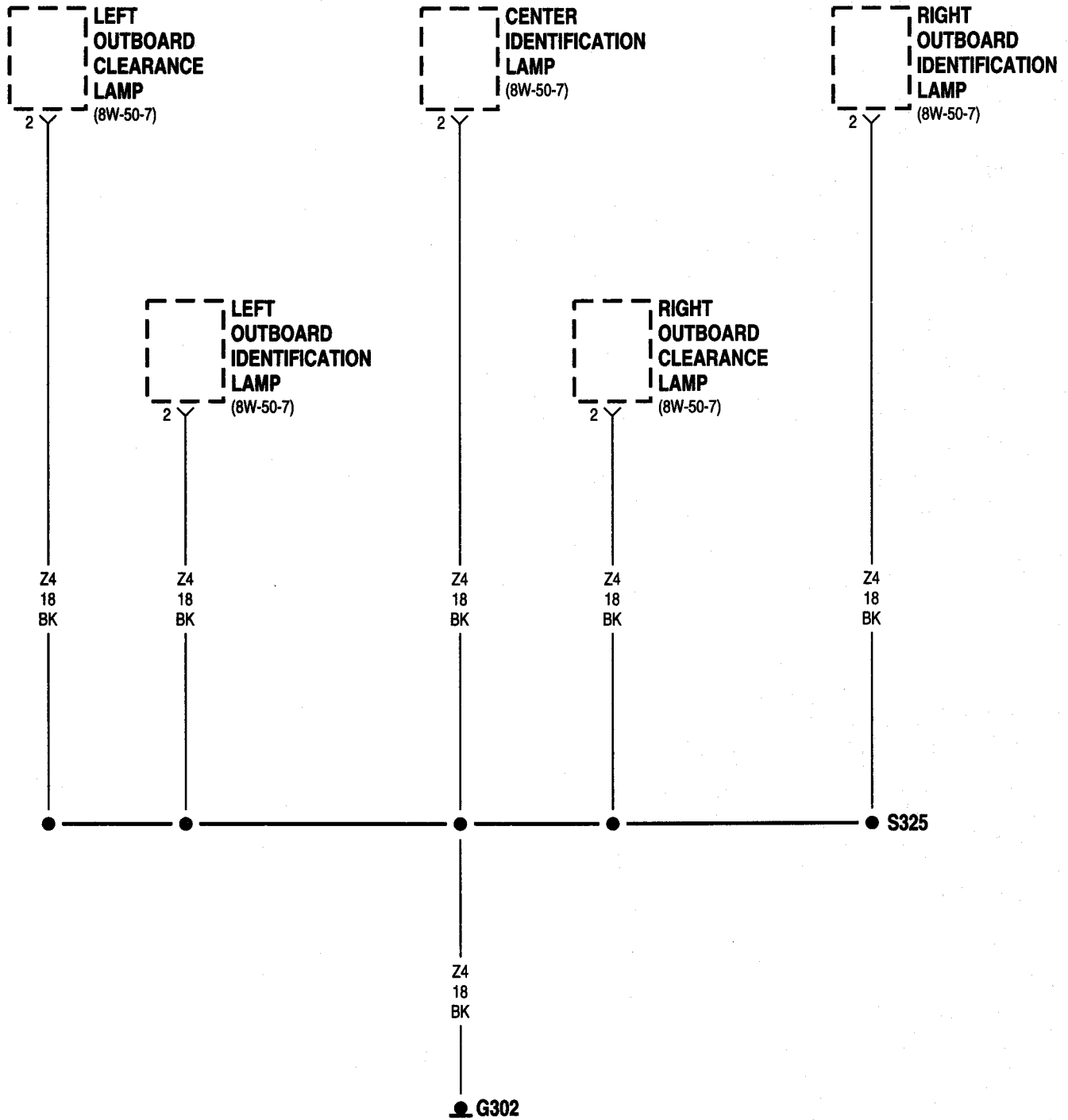








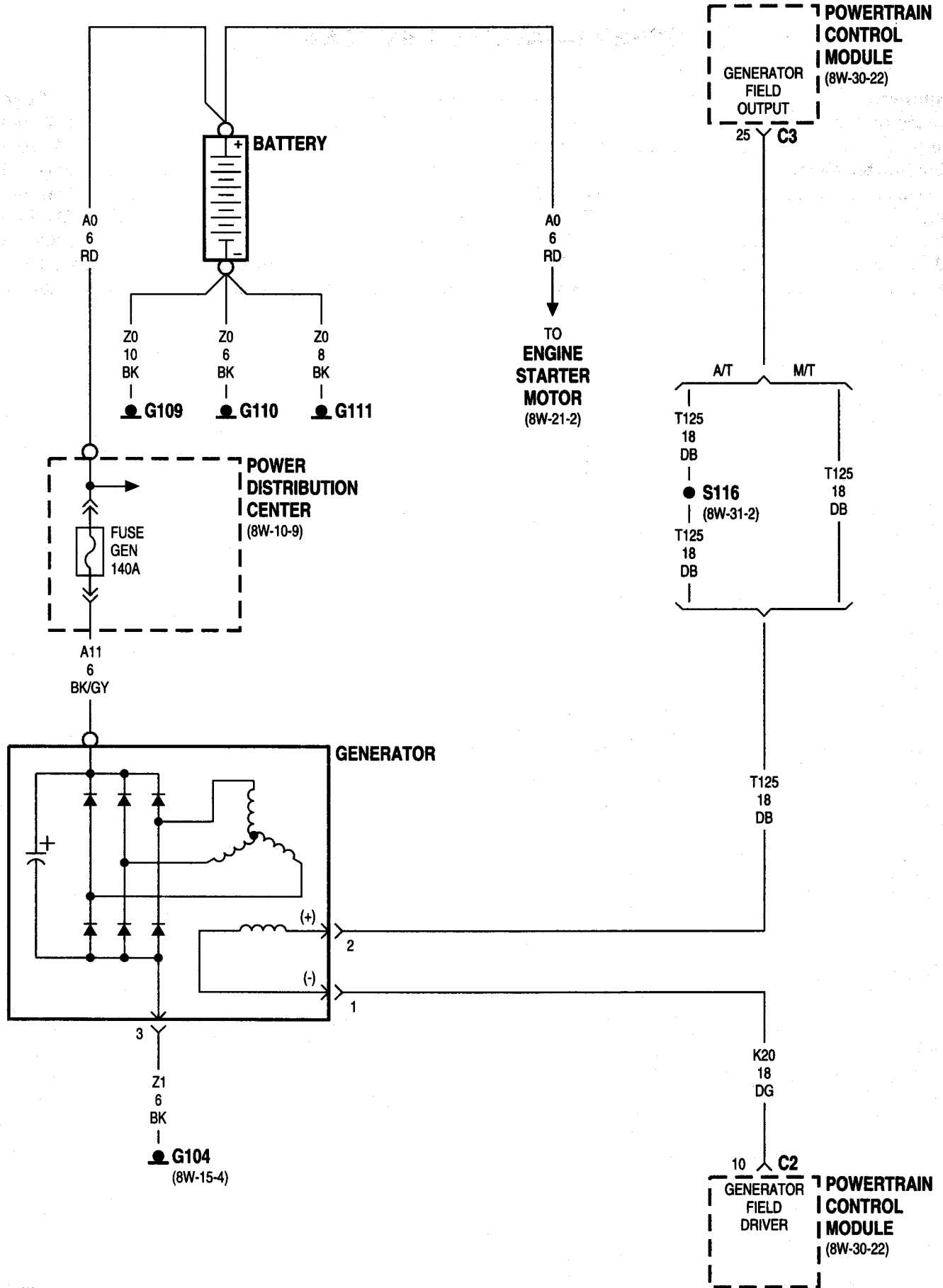


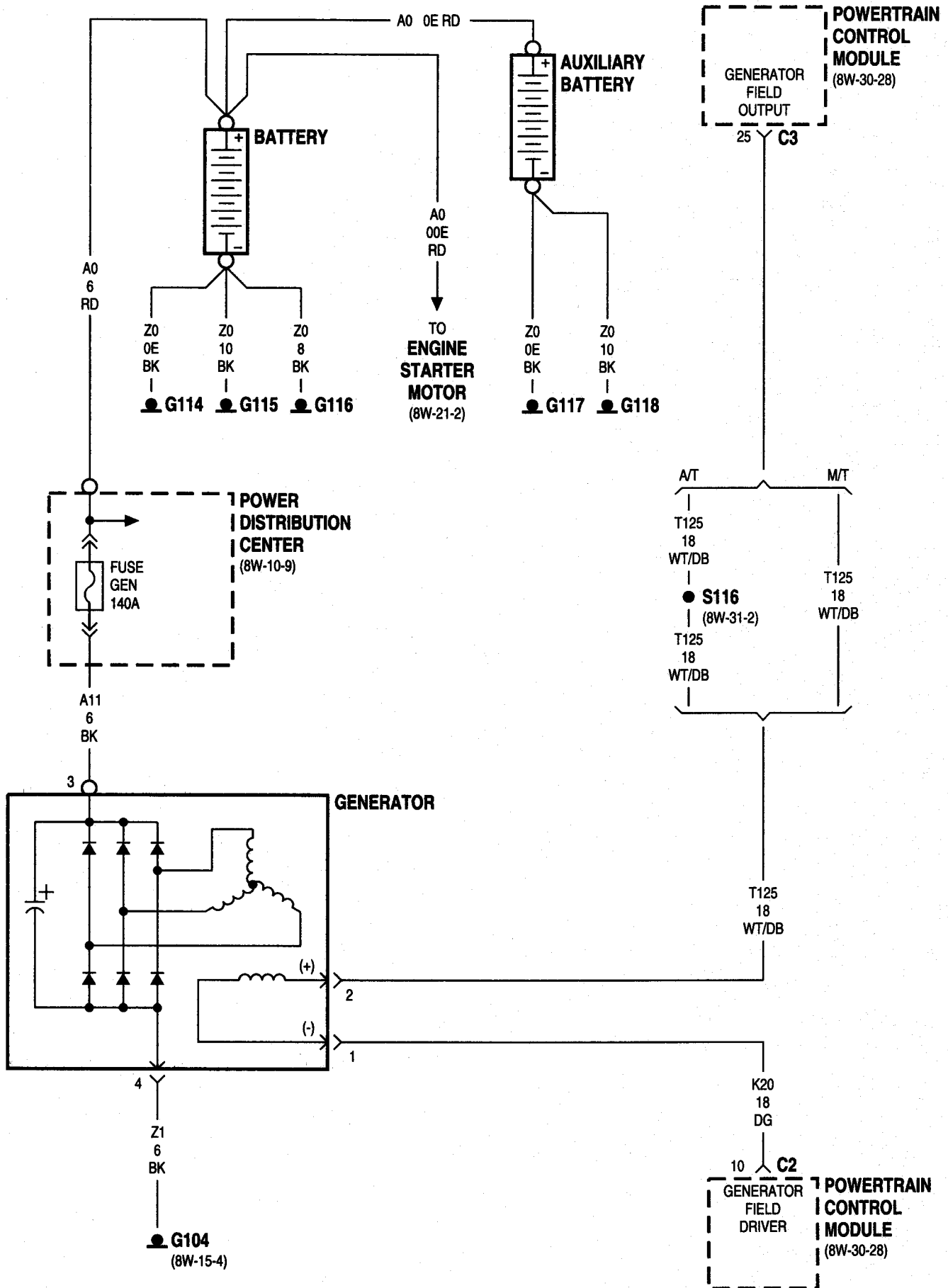




### 8W-20 CHARGING SYSTEM

Component	Page	Component	Page
Auxiliary Battery .....	.8W-20-3	G114 .....	.8W-20-3
Battery .....	.8W-20-2, 3	G115 .....	.8W-20-3
Engine Starter Motor .....	.8W-20-2, 3	G116 .....	.8W-20-3
Fuse Gen .....	.8W-20-2, 3	G117 .....	.8W-20-3
G104 .....	.8W-20-2, 3	G118 .....	.8W-20-3
G109 .....	.8W-20-2	Generator .....	.8W-20-2, 3
G110 .....	.8W-20-2	Power Distribution Center .....	.8W-20-2, 3
G111 .....	.8W-20-2	Powertrain Control Module .....	.8W-20-2, 3





1948

1948

1948

1948

1948

1948

1948

1948

1948

1948

1948

1948

1948

1948

1948

1948

1948

1948

1948

1948

1948

1948

1948

1948

1948

1948

1948

1948

1948

1948

1948

1948

1948

1948

1948

1948

1948

1948

1948

1948

1948

1948

1948

1948

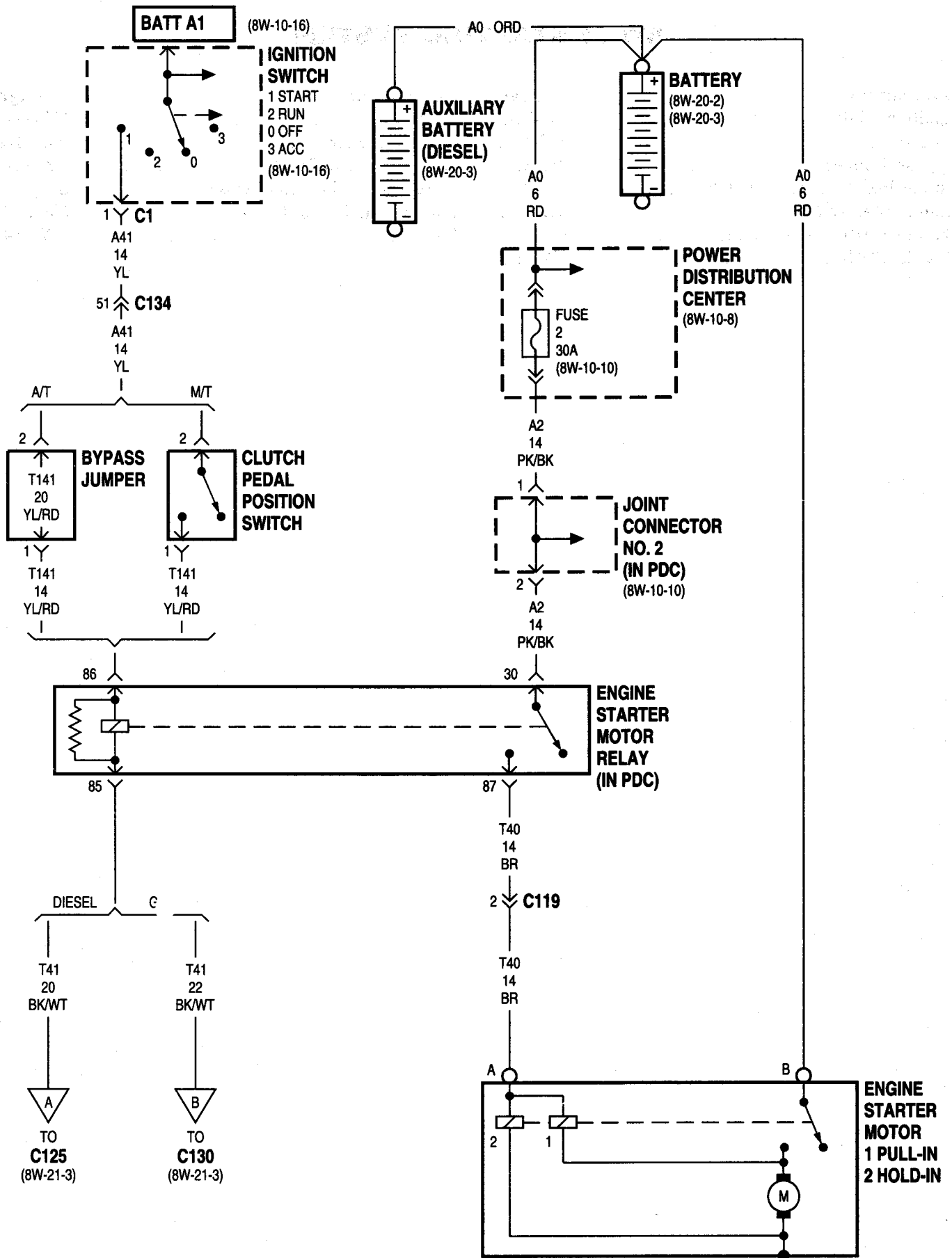
1948

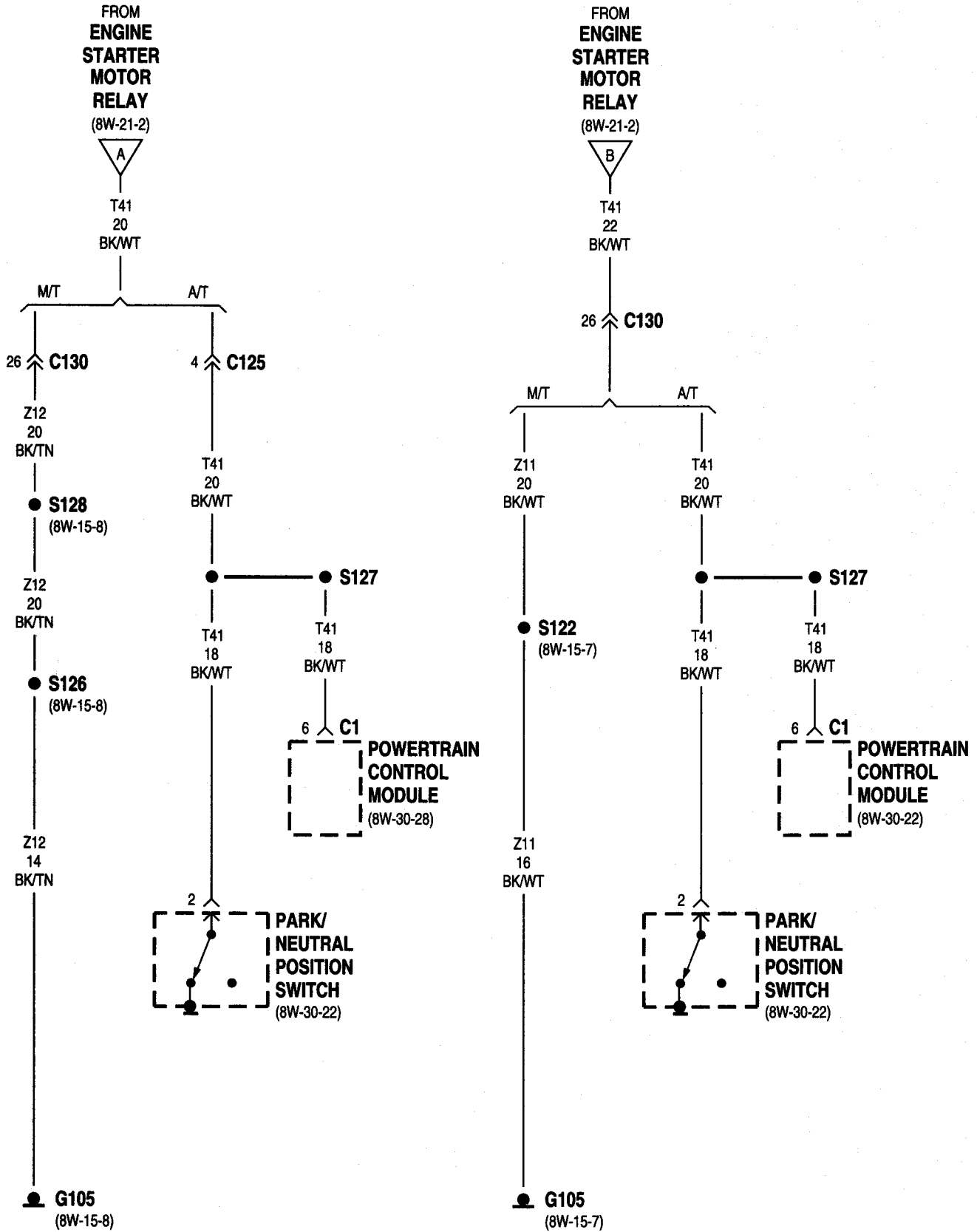
1948

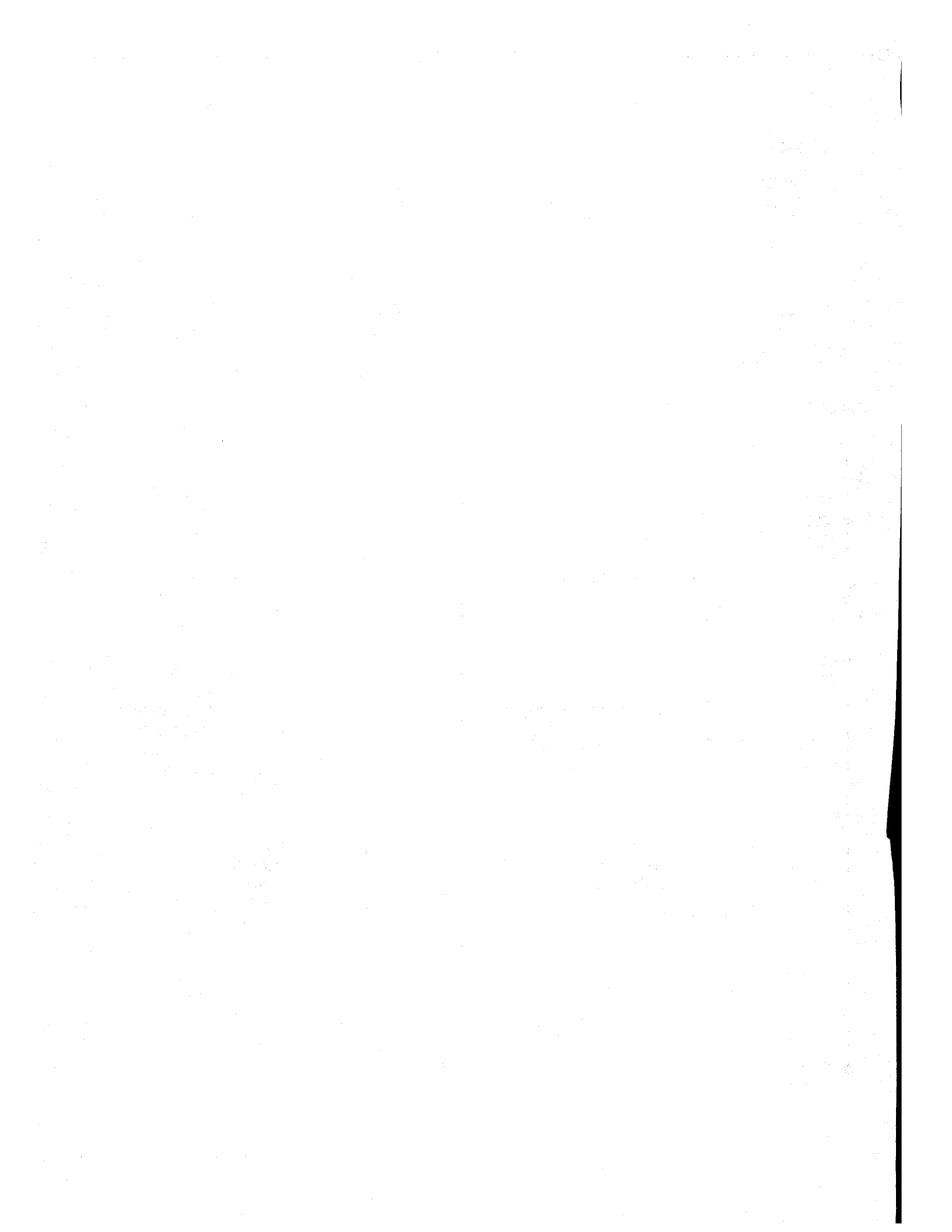


## 8W-21 STARTING SYSTEM

<b>Component</b>	<b>Page</b>	<b>Component</b>	<b>Page</b>
Auxiliary Battery .....	.8W-21-2	G105 .....	.8W-21-3
Battery .....	.8W-21-2	Ignition Switch .....	.8W-21-2
Bypass Jumper .....	.8W-21-2	Joint Connector No. 2 .....	.8W-21-2
Clutch Pedal Position Switch .....	.8W-21-2	Park/Neutral Position Switch .....	.8W-21-3
Engine Starter Motor .....	.8W-21-2	Power Distribution Center .....	.8W-21-2
Engine Starter Motor Relay .....	.8W-21-2	Powertrain Control Module.....	.8W-21-3
Fuse 2 (PDC).....	.8W-21-2		

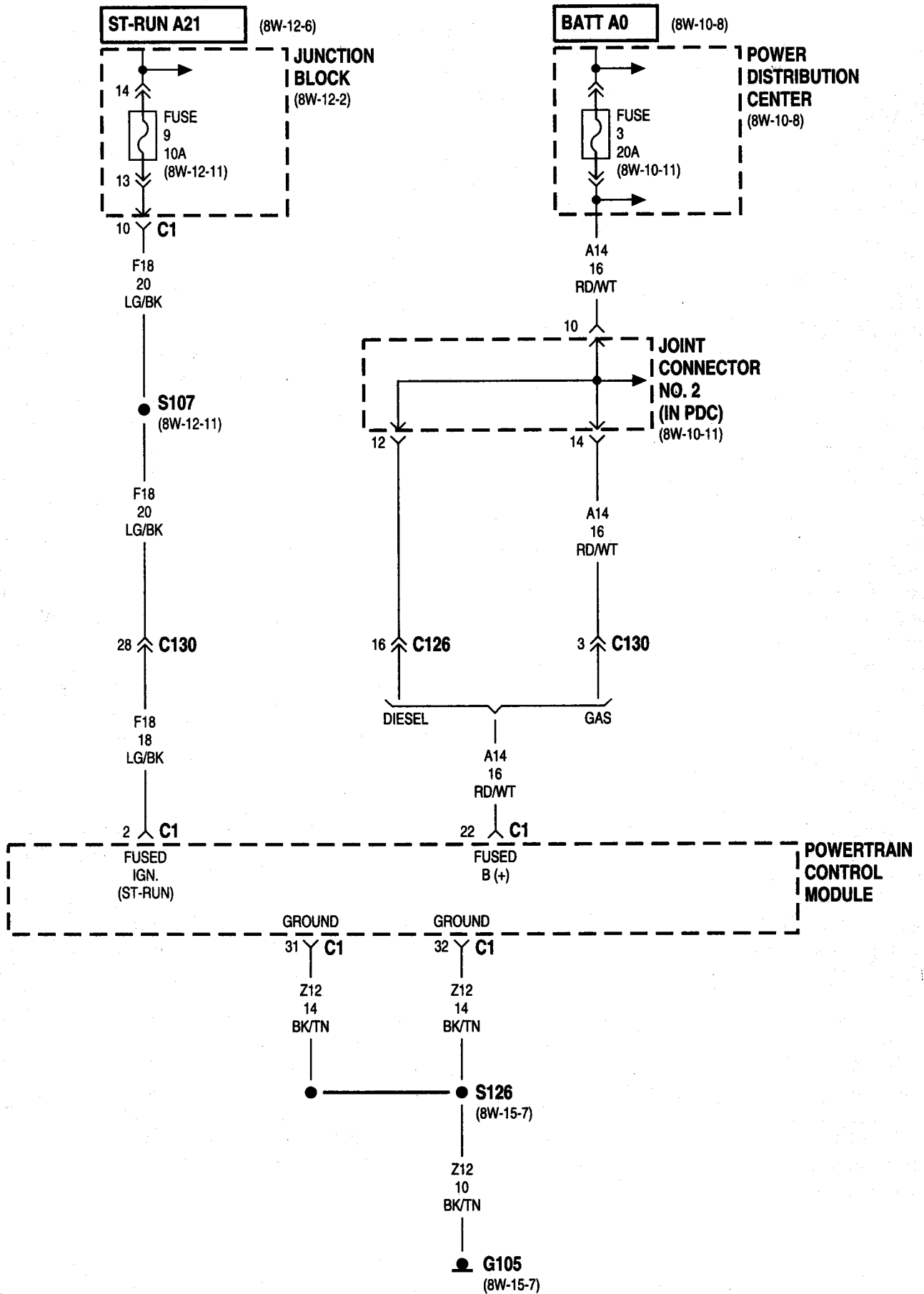


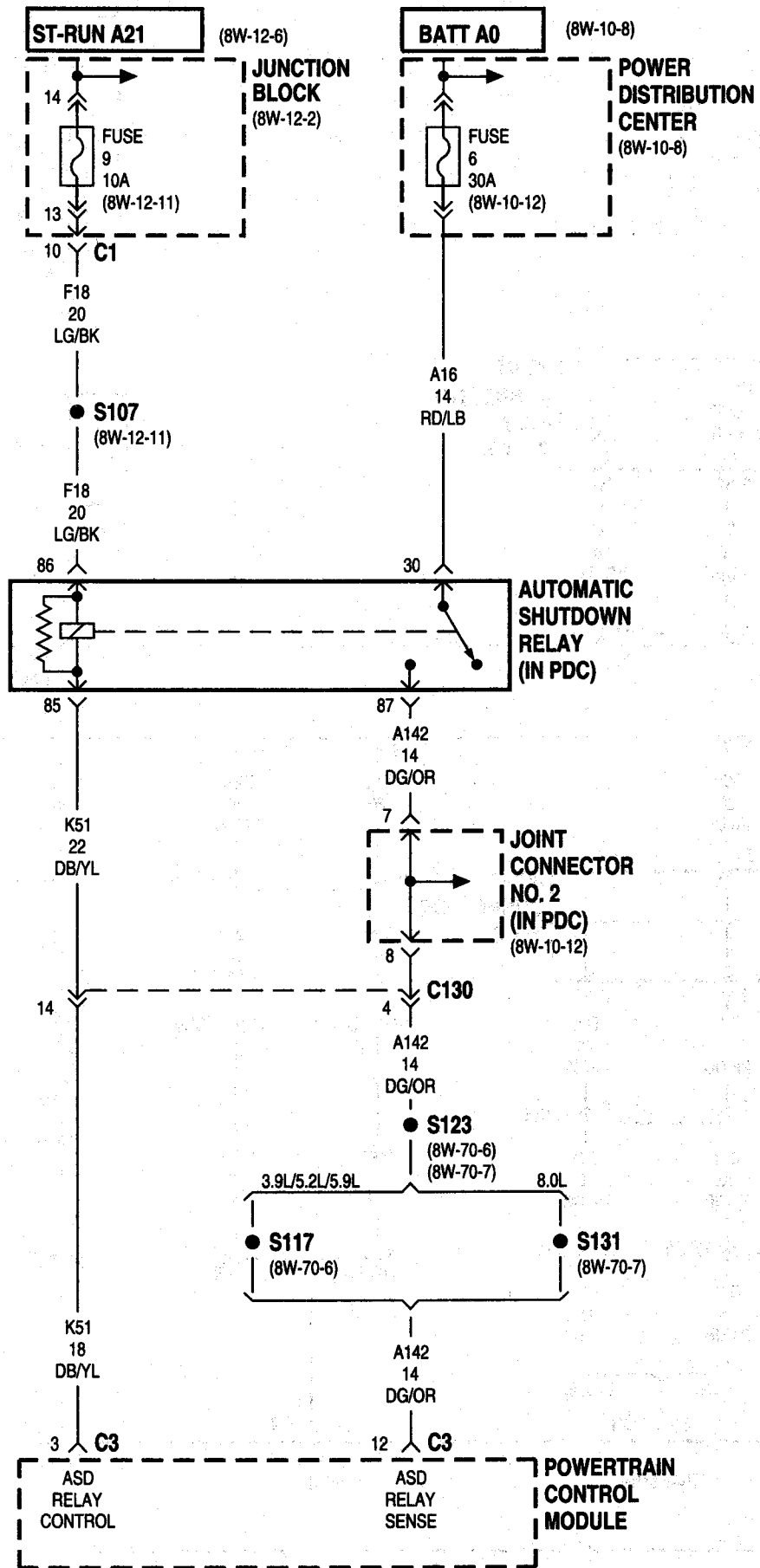


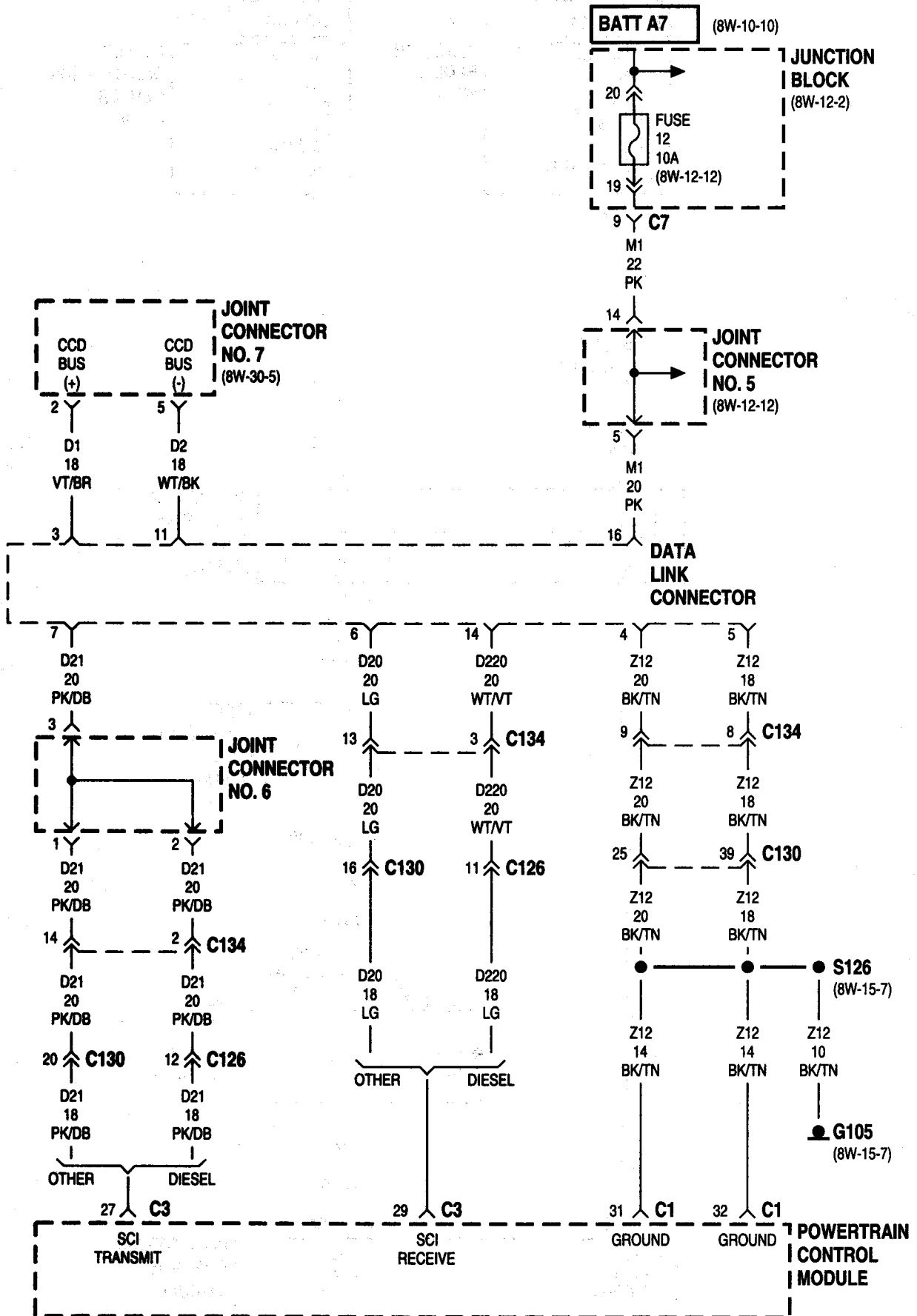


## 8W-30 FUEL/IGNITION SYSTEMS

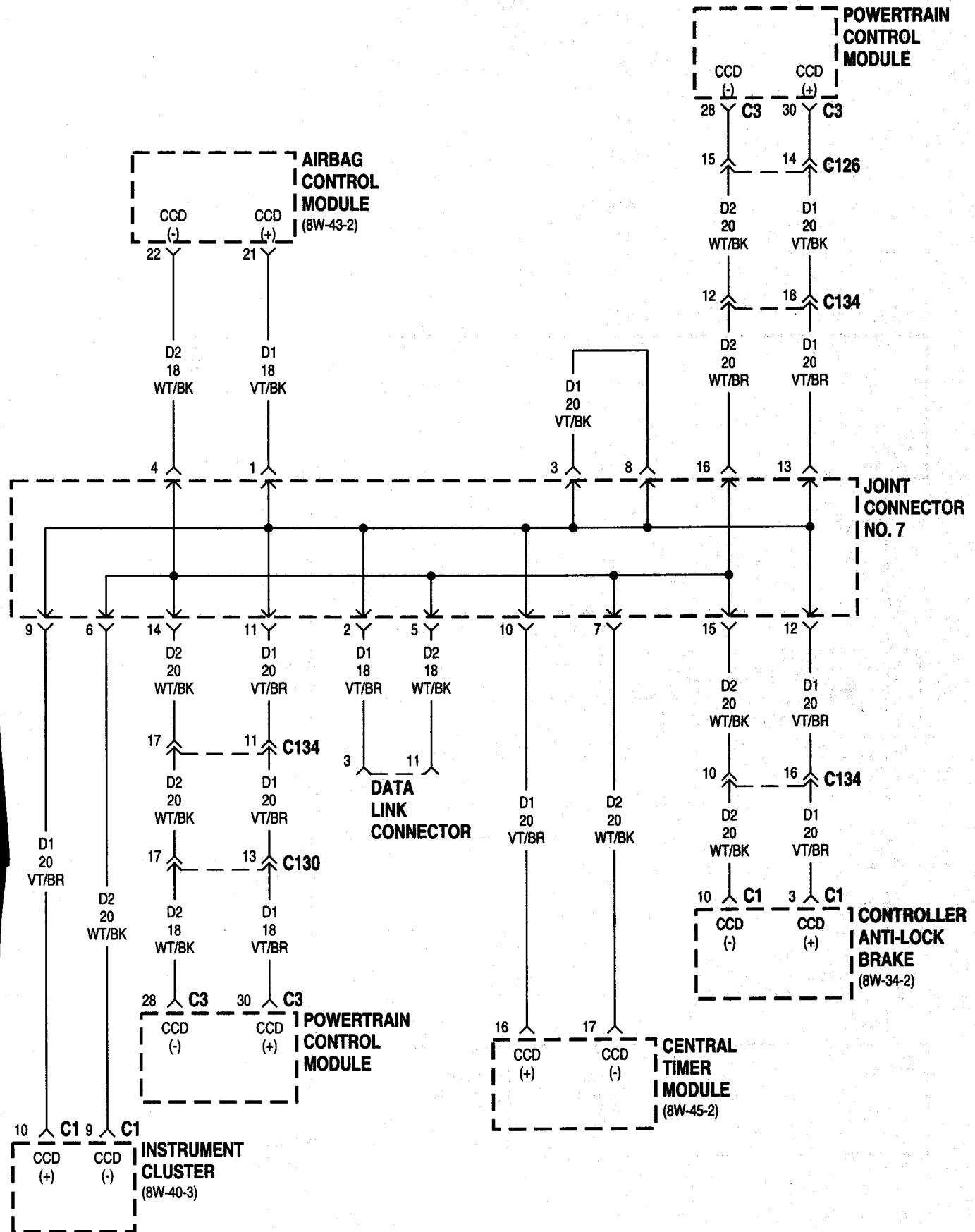
Component	Page	Component	Page
A/C Heater Control	.8W-30-9	G100	.8W-30-6, 26
A/C High Pressure Switch	.8W-30-9	G105	.8W-30-2, 4, 12, 13, 17, 18, 26
A/C Low Pressure Switch	.8W-30-9	G106	.8W-30-26
Airbag Control Module	.8W-30-5	Generator	.8W-30-22, 28
Automatic Shutdown Relay	.8W-30-3, 12, 13, 14, 15, 16, 17, 18, 19, 20, 21	Idle Air Control Valve	.8W-30-25
Battery	.8W-30-27	Ignition Coil	.8W-30-16
Battery Temperature Sensor	.8W-30-28	Ignition Coil 4-Pack	.8W-30-21
Camshaft Position Sensor	.8W-30-8	Ignition Coil 6-Pack	.8W-30-21
Central Timer Module	.8W-30-5	Instrument Cluster	.8W-30-5, 7, 28
Controller Anti-Lock Brake	.8W-30-5, 7, 22	Intake Air Heater	.8W-30-27
Crankshaft Position Sensor	.8W-30-22	Intake Air Heater Relay No. 1	.8W-30-27
Data Link Connector	.8W-30-4, 5	Intake Air Heater Relay No. 2	.8W-30-27
Downstream Heated Oxygen Sensor	.8W-30-12	Intake Air Temperature Sensor	.8W-30-24
Duty Cycle Evap/Purge Solenoid	.8W-30-22	Joint Connector No. 1	.8W-30-6, 7, 11, 26, 28
EGR Solenoid	.8W-30-26	Joint Connector No. 2	.8W-30-2, 3, 12, 13, 14, 15, 17, 18, 19, 20, 21, 23, 26
Engine Coolant Temperature Sensor	.8W-30-25, 28	Joint Connector No. 5	.8W-30-4
Engine Oil Pressure Sensor	.8W-30-22	Joint Connector No. 6	.8W-30-4
Engine Speed Sensor	.8W-30-8	Joint Connector No. 7	.8W-30-4, 5
Engine Starter Motor	.8W-30-26	Junction Block	.8W-30-2, 3, 4, 7, 22, 23, 26, 27
Fuel Heater	.8W-30-26	Leak Detection Pump	.8W-30-7
Fuel Heater Relay	.8W-30-26	Left Upstream Heated Oxygen Sensor	.8W-30-13, 17
Fuel Injector No. 1	.8W-30-14, 19	Manifold Absolute Pressure Sensor	.8W-30-24
Fuel Injector No. 2	.8W-30-15, 20	Overdrive Switch	.8W-30-10
Fuel Injector No. 3	.8W-30-14, 19	Park/Neutral Position Switch	.8W-30-22, 28
Fuel Injector No. 4	.8W-30-15, 20	Post- Catalyst Heated Oxygen Sensor	.8W-30-18
Fuel Injector No. 5	.8W-30-14, 19	Power Distribution Center	.8W-30-2, 3, 12, 13, 14, 15, 16, 17, 18, 19, 20, 21, 23, 26
Fuel Injector No. 6	.8W-30-15, 20	Powertrain Control Module	.8W-30-10
Fuel Injector No. 7	.8W-30-14, 19	Powertrain Control Module	.8W-30-11
Fuel Injector No. 8	.8W-30-15, 20	Powertrain Control Module	.8W-30-2, 3, 4, 5, 6, 7, 8, 9, 10, 11, 12, 13, 14, 15, 16, 17, 18, 19, 20, 21, 22, 23, 24, 25, 26, 27, 28
Fuel Injector No. 9	.8W-30-19	Pre- Catalyst Heated Oxygen Sensor	.8W-30-18
Fuel Injector No. 10	.8W-30-20	Right Upstream Heated Oxygen Sensor	.8W-30-13, 17
Fuel Pump Module	.8W-30-6, 23	Stop Lamp Switch	.8W-30-11
Fuel Pump Relay	.8W-30-6, 23	Throttle Position Sensor	.8W-30-9
Fuel Shut Down Relay	.8W-30-26	Transmission Output Shaft Speed Sensor	.8W-30-8
Fuel Shut Down Solenoid	.8W-30-26	Transmission Relay	.8W-30-8
Fuse 3 (PDC)	.8W-30-2, 23	Transmission Solenoid Assembly	.8W-30-9, 10, 11
Fuse 6 (PDC)	.8W-30-3	Upstream Heated Oxygen Sensor	.8W-30-12
Fuse 7 (PDC)	.8W-30-26	Vehicle Speed Control Servo	.8W-30-8
Fuse 9 (JB)	.8W-30-2, 3, 23, 26, 27	Vehicle Speed Control/Horn Switch	.8W-30-11
Fuse 9 (PDC)	.8W-30-26	Water In-Fuel Sensor	.8W-30-28
Fuse 11 (JB)	.8W-30-7, 26		
Fuse 11 (PDC)	.8W-30-22		
Fuse 12 (JB)	.8W-30-4		
Fuse K (PDC)	.8W-30-12, 13, 17, 18		

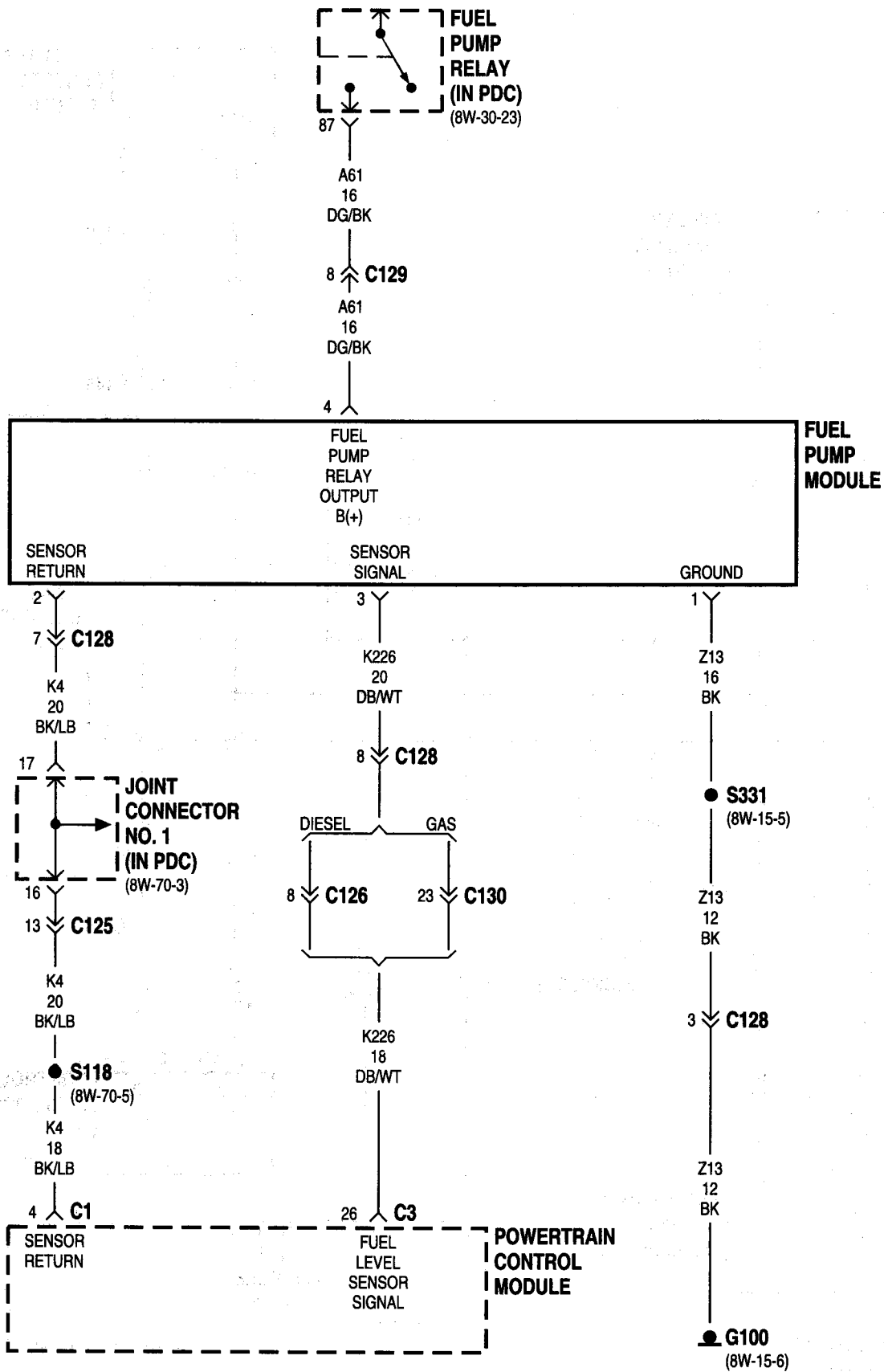


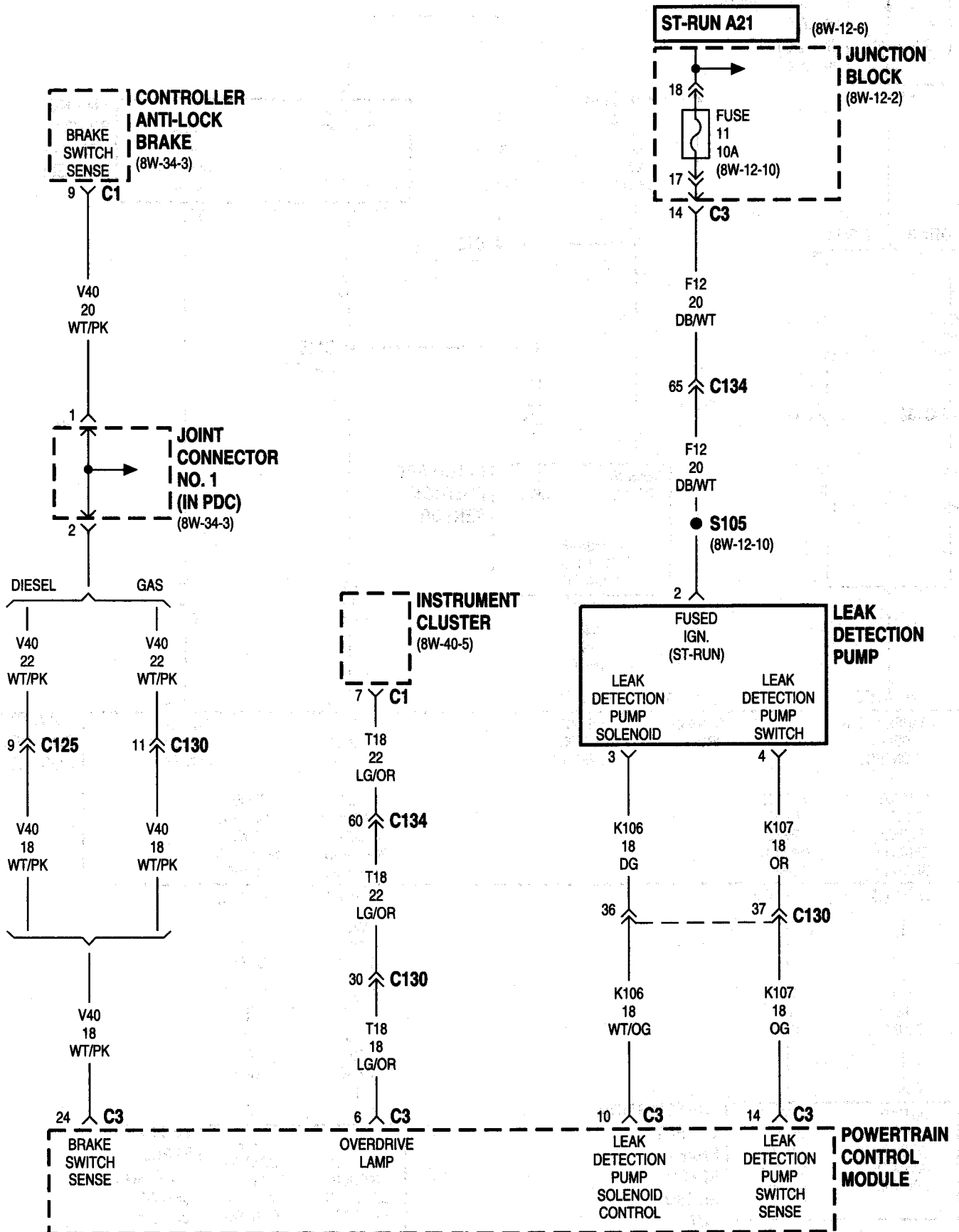


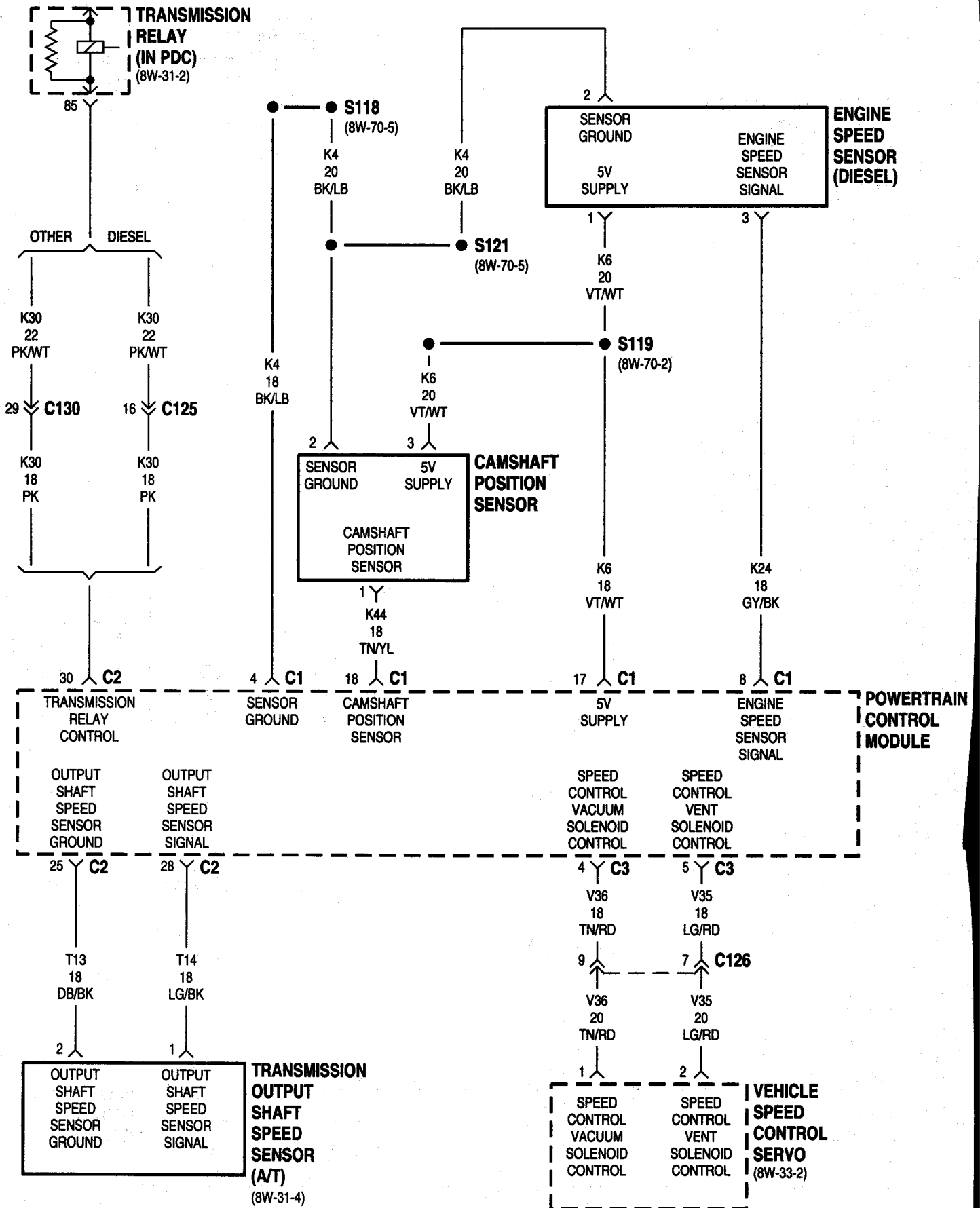


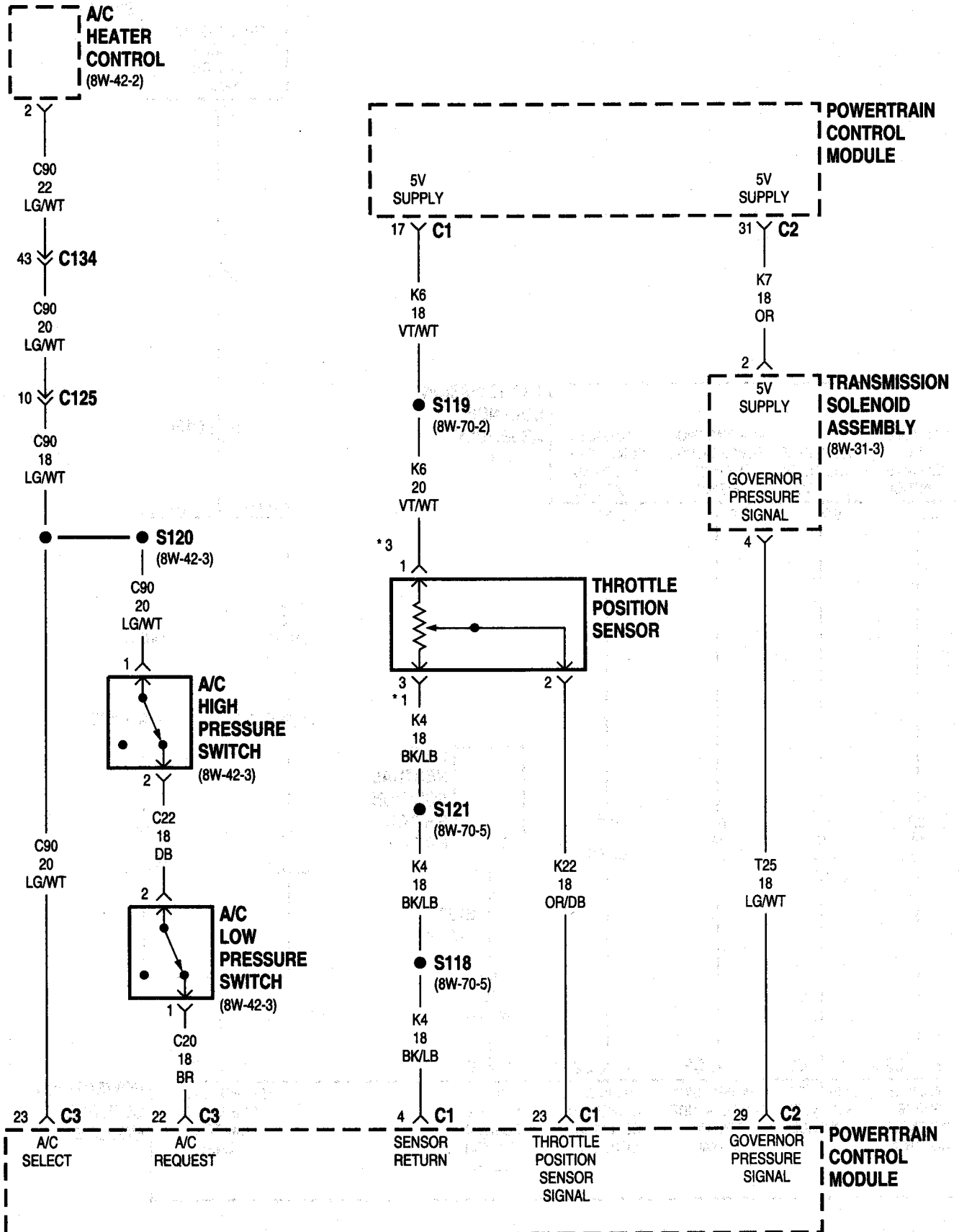




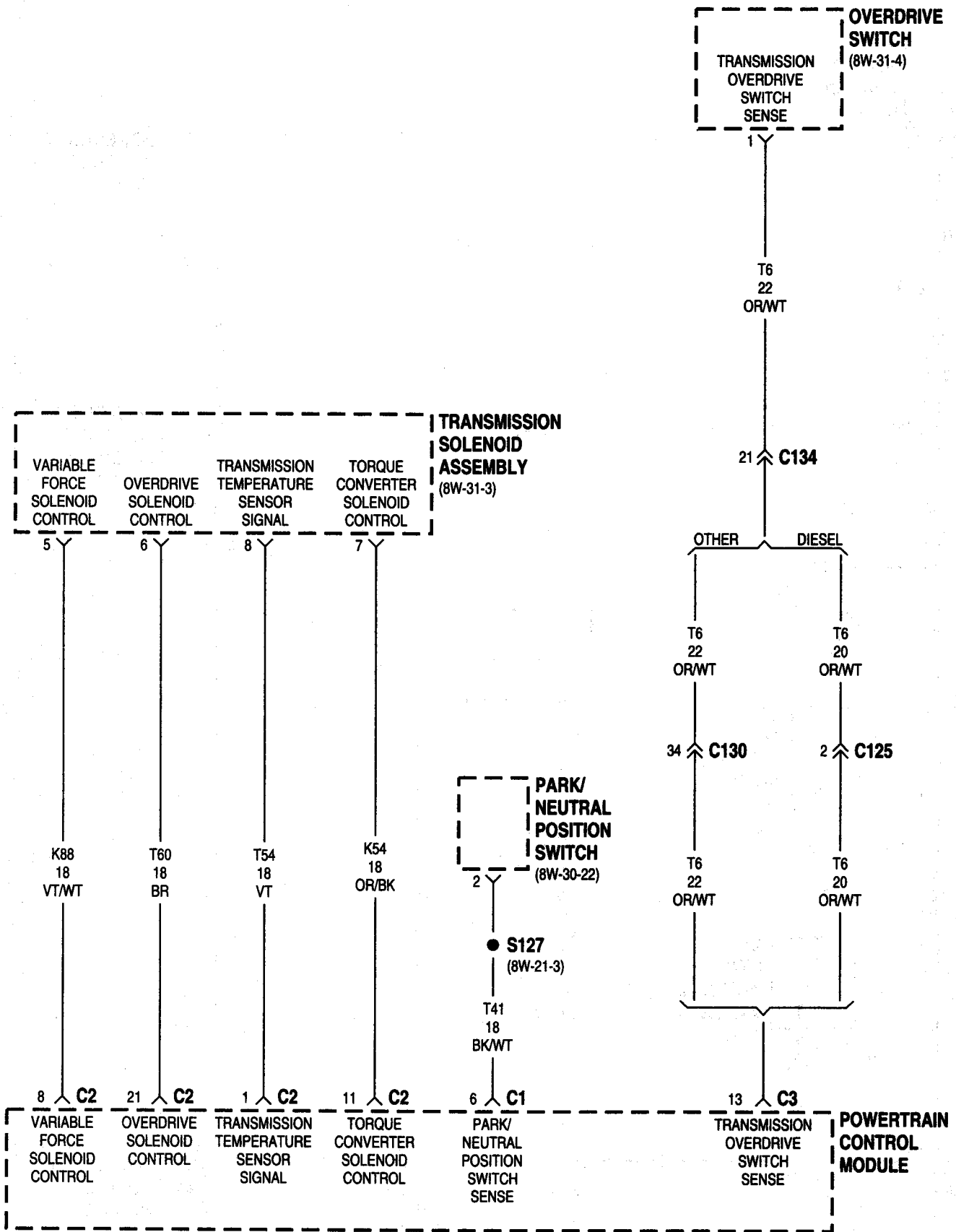


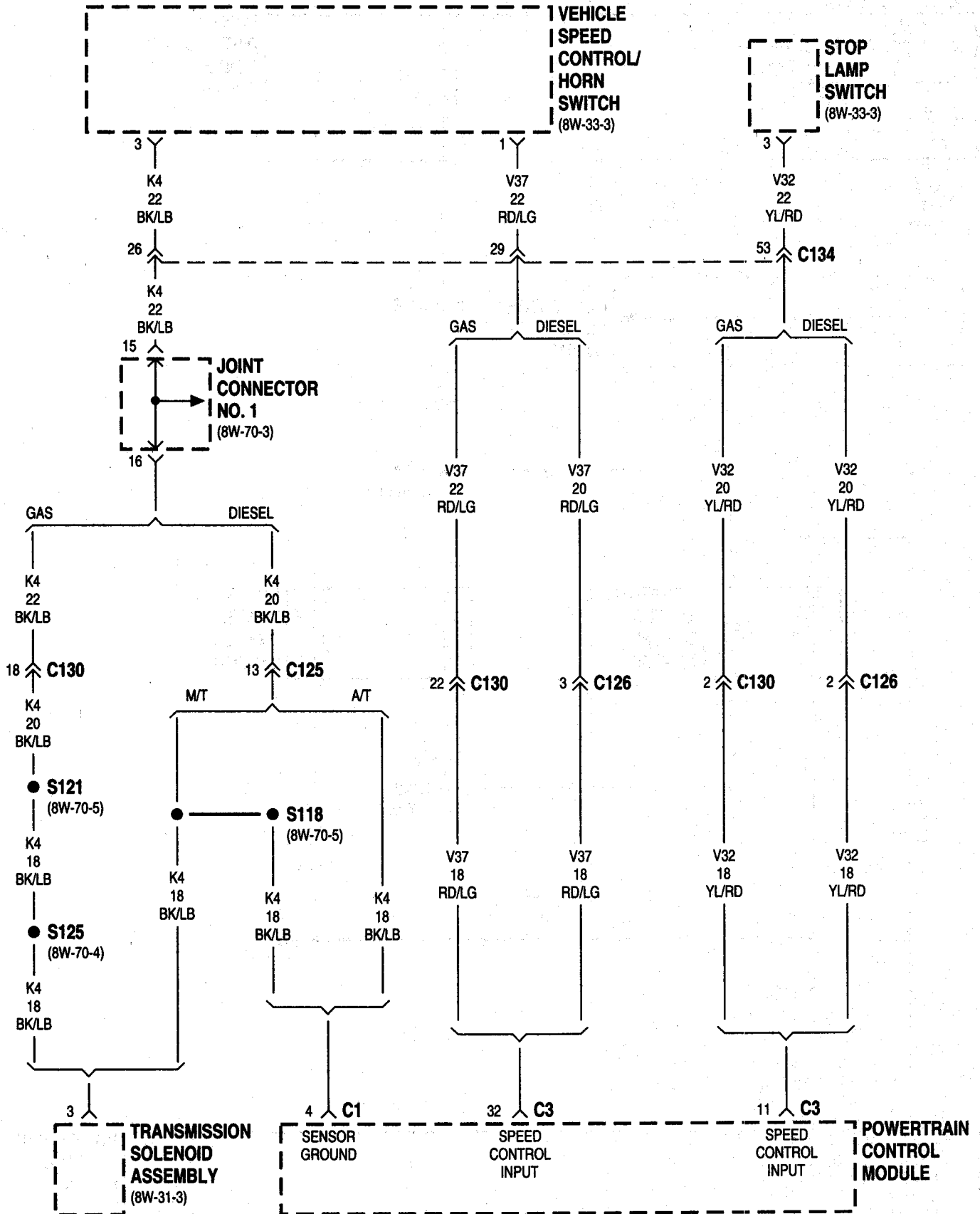


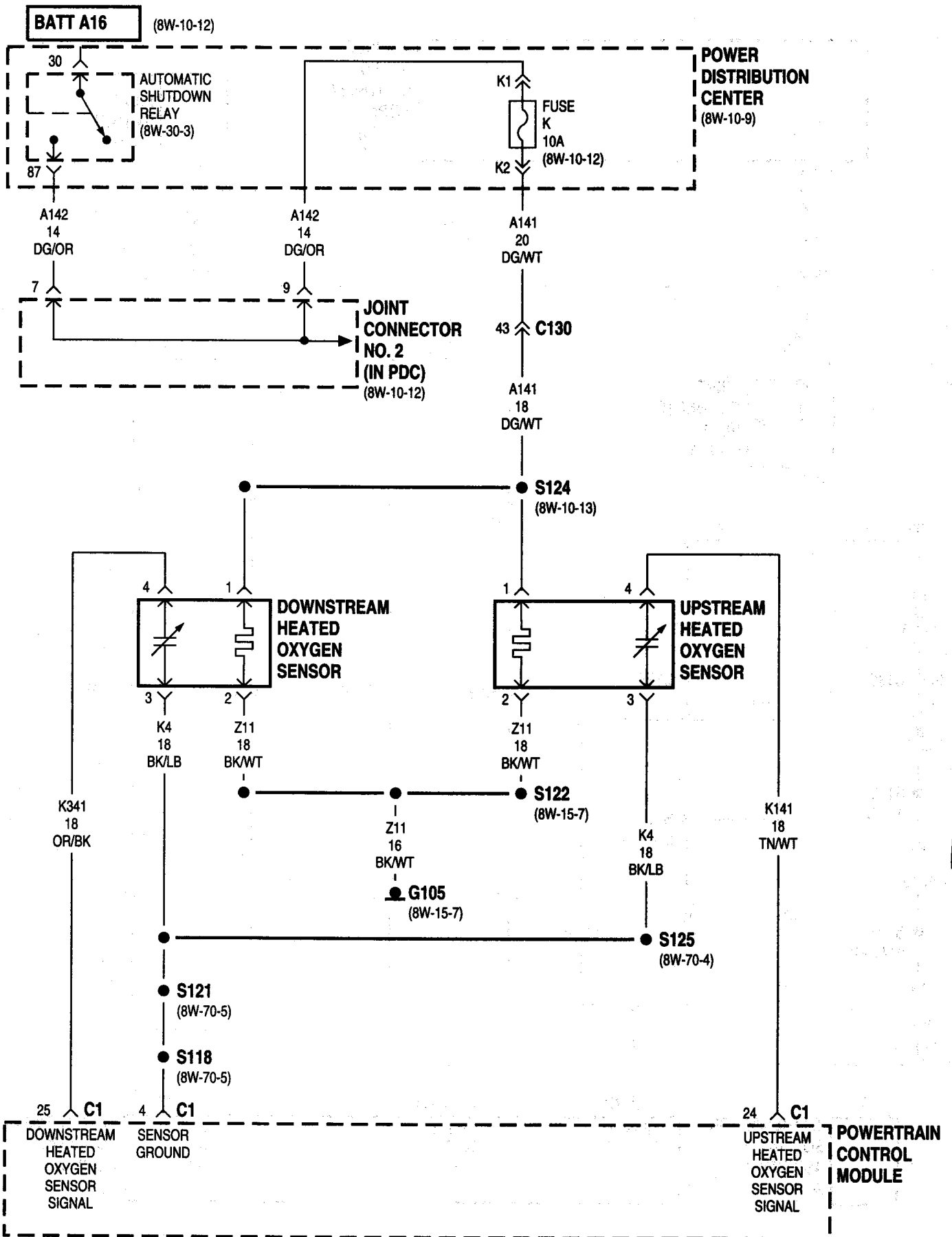




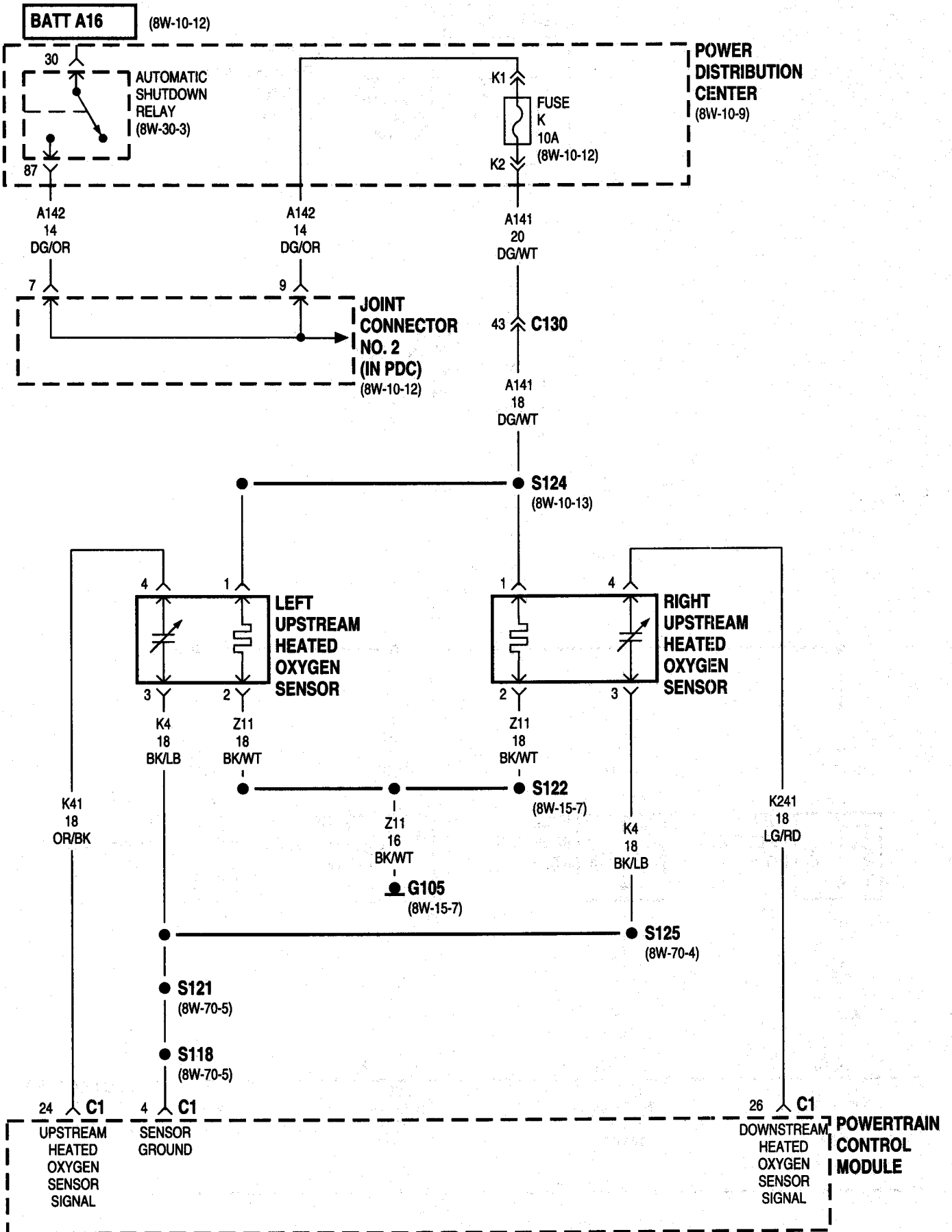
\* DIESEL

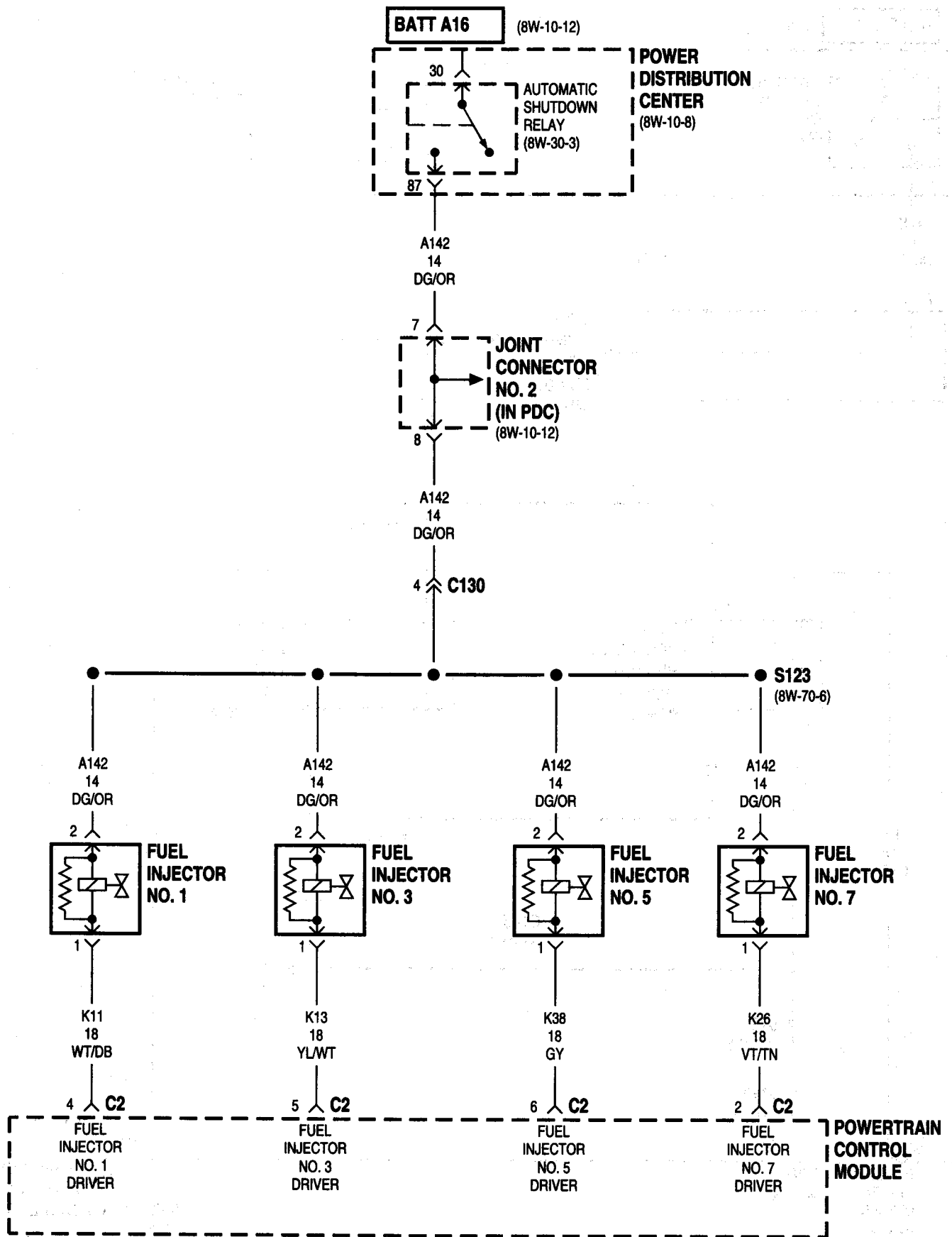


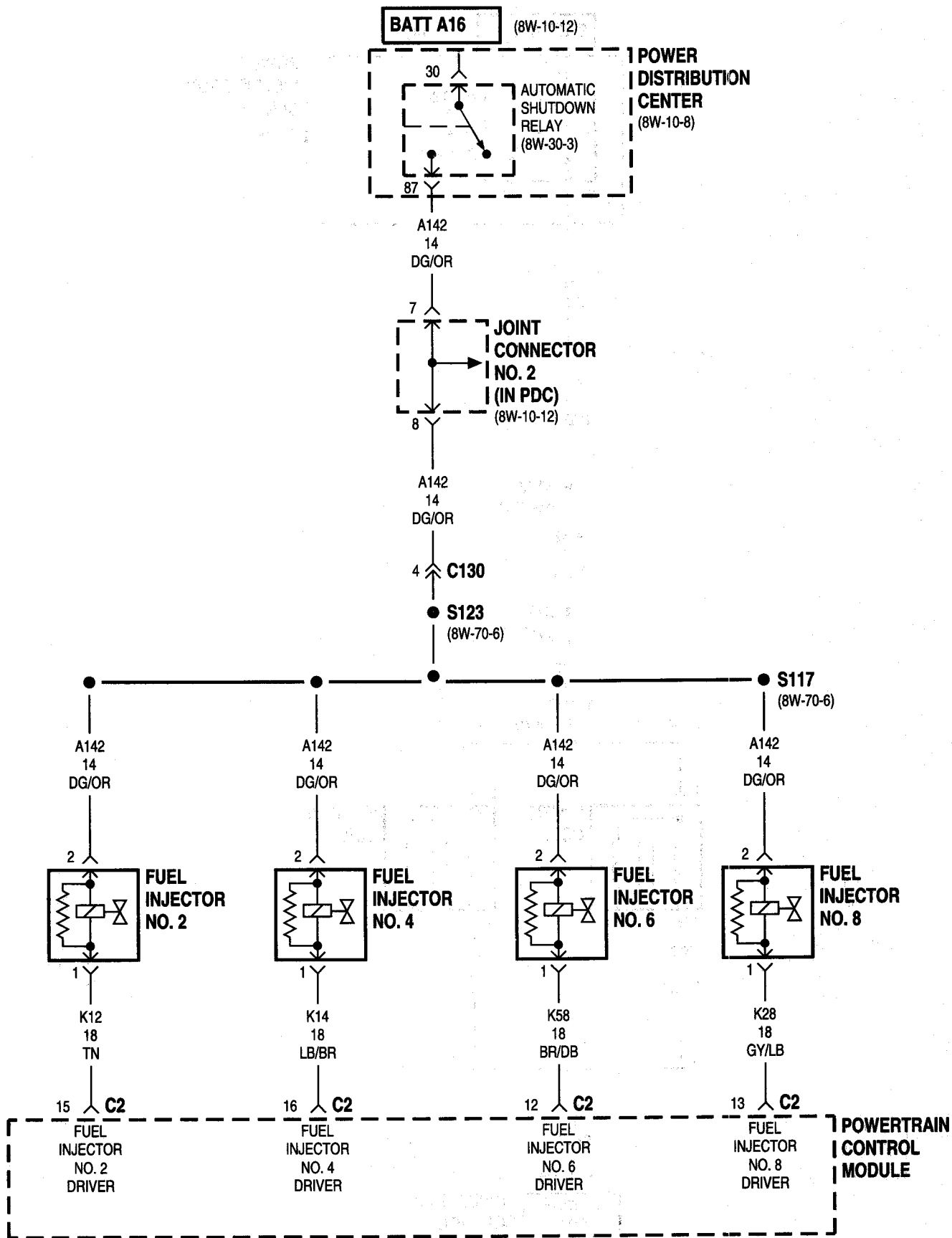


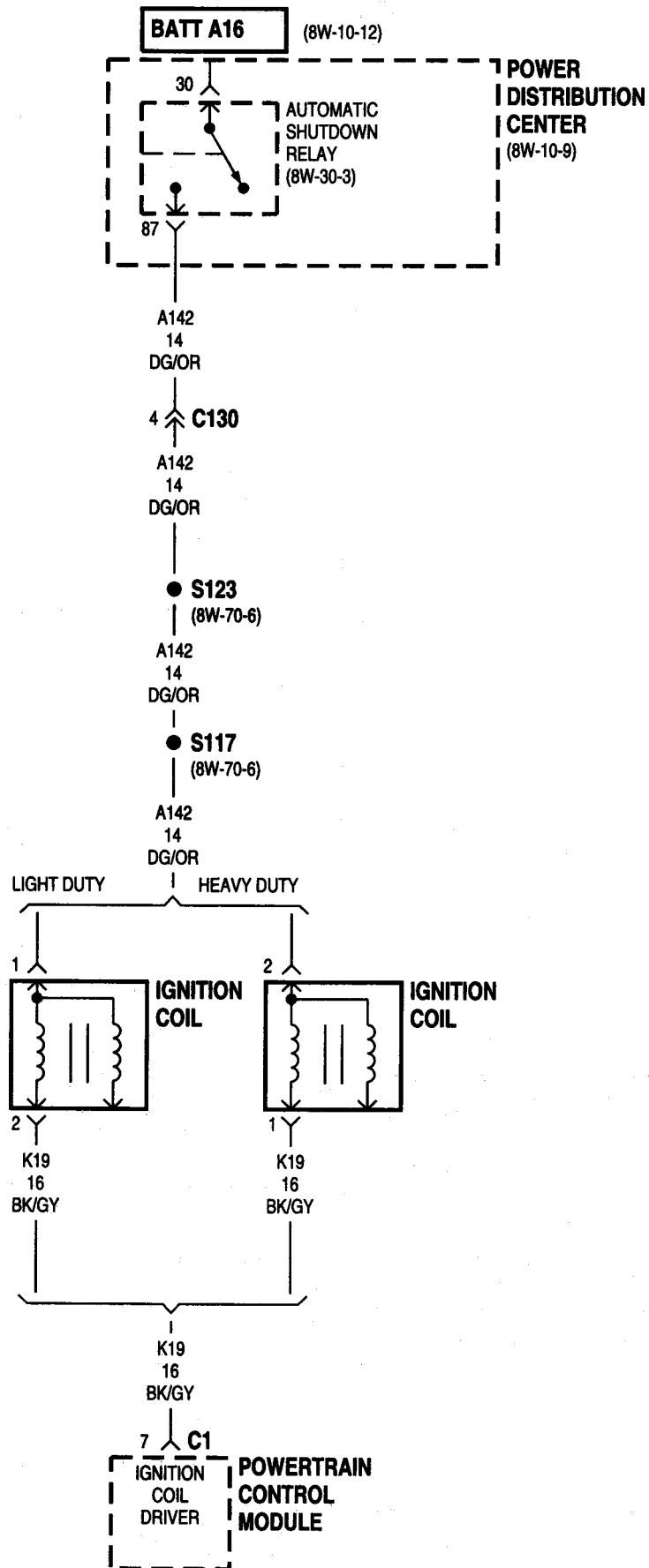


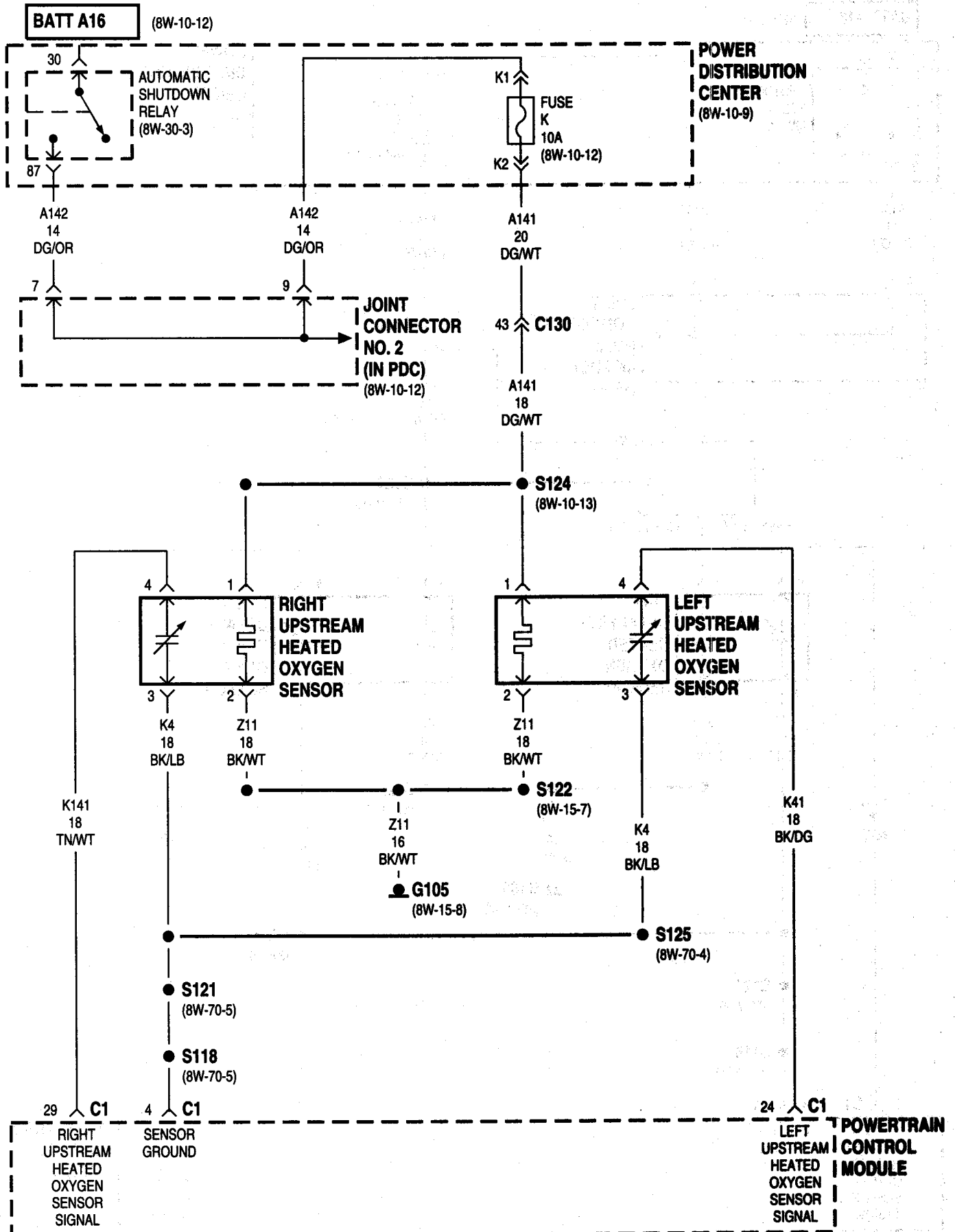


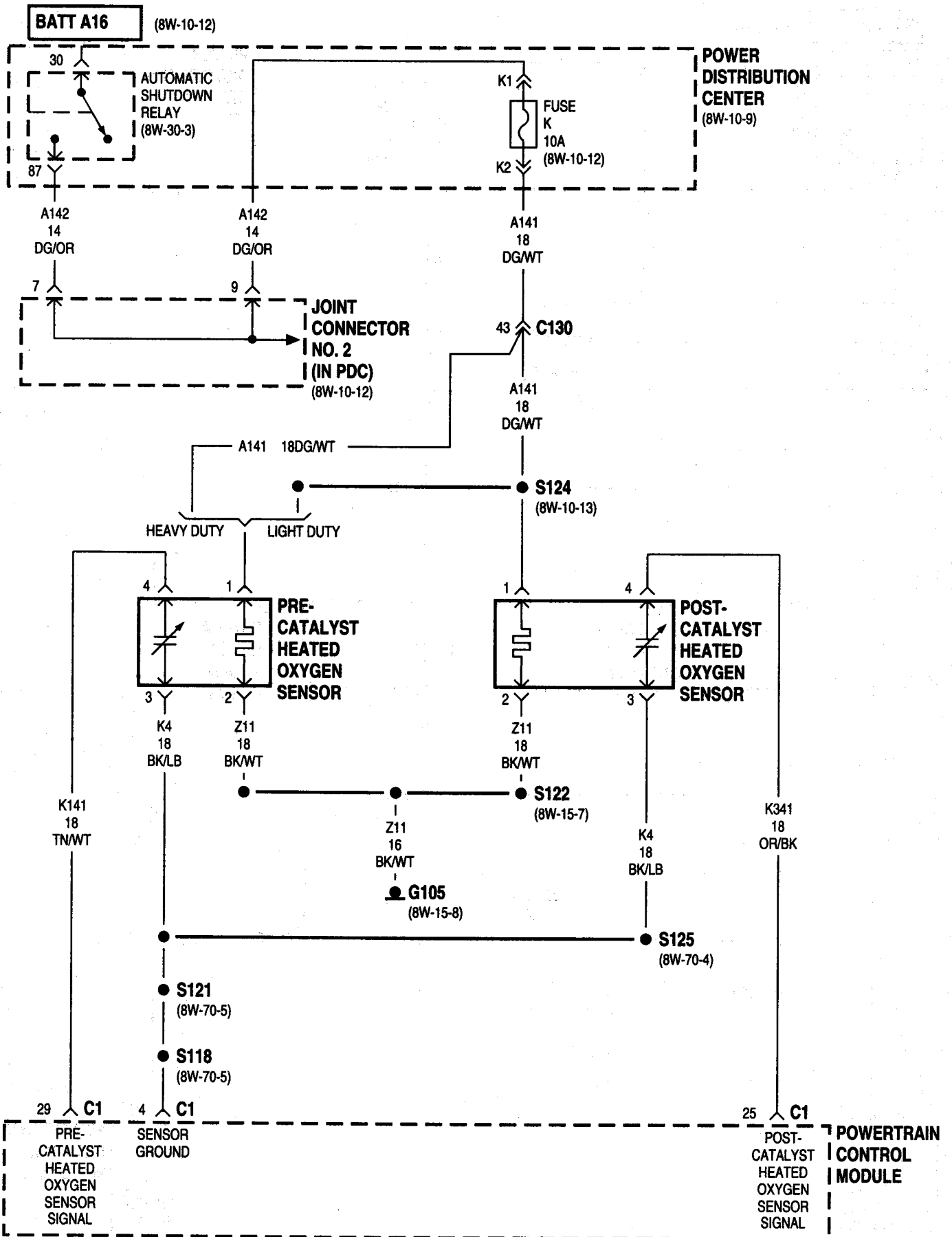




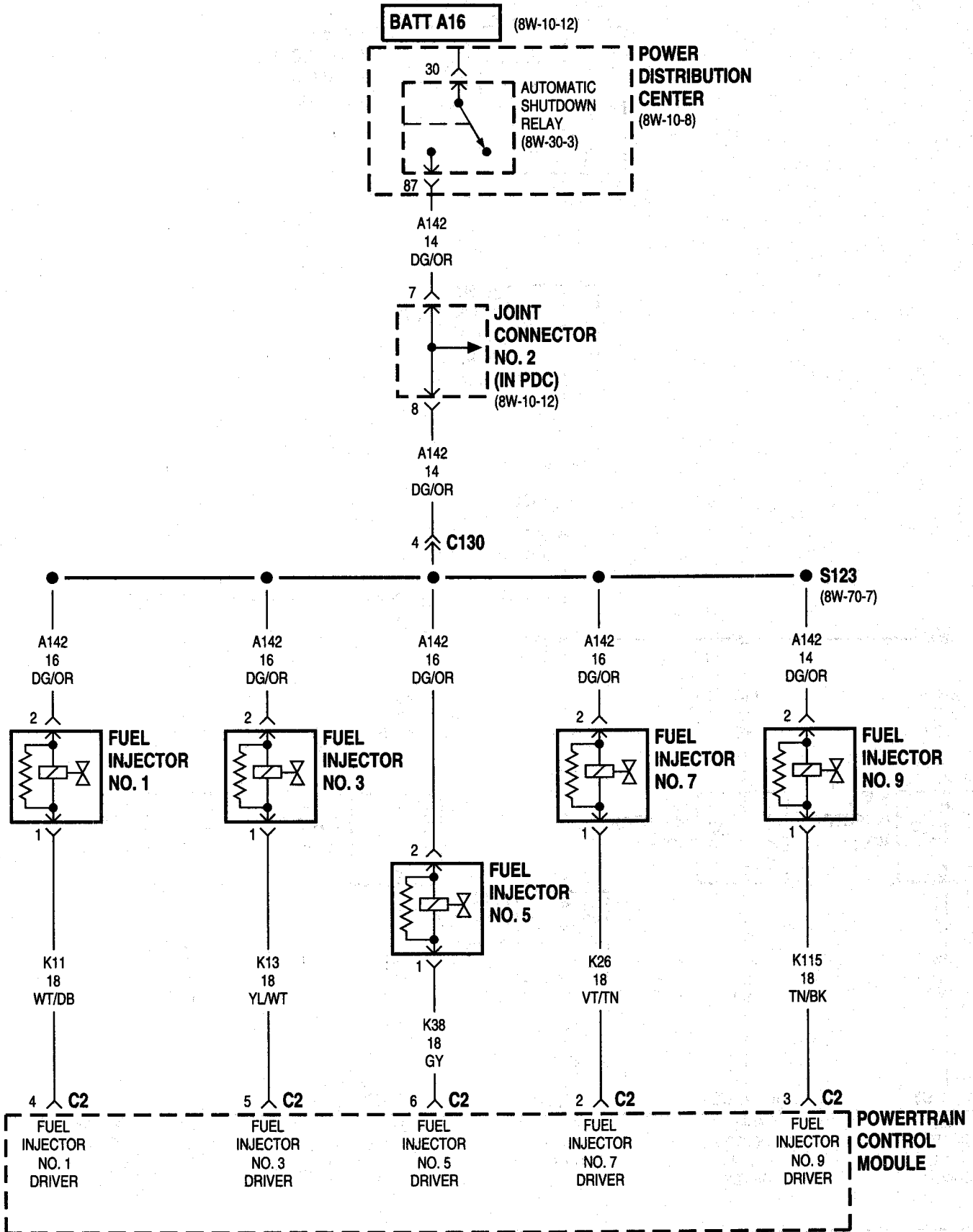




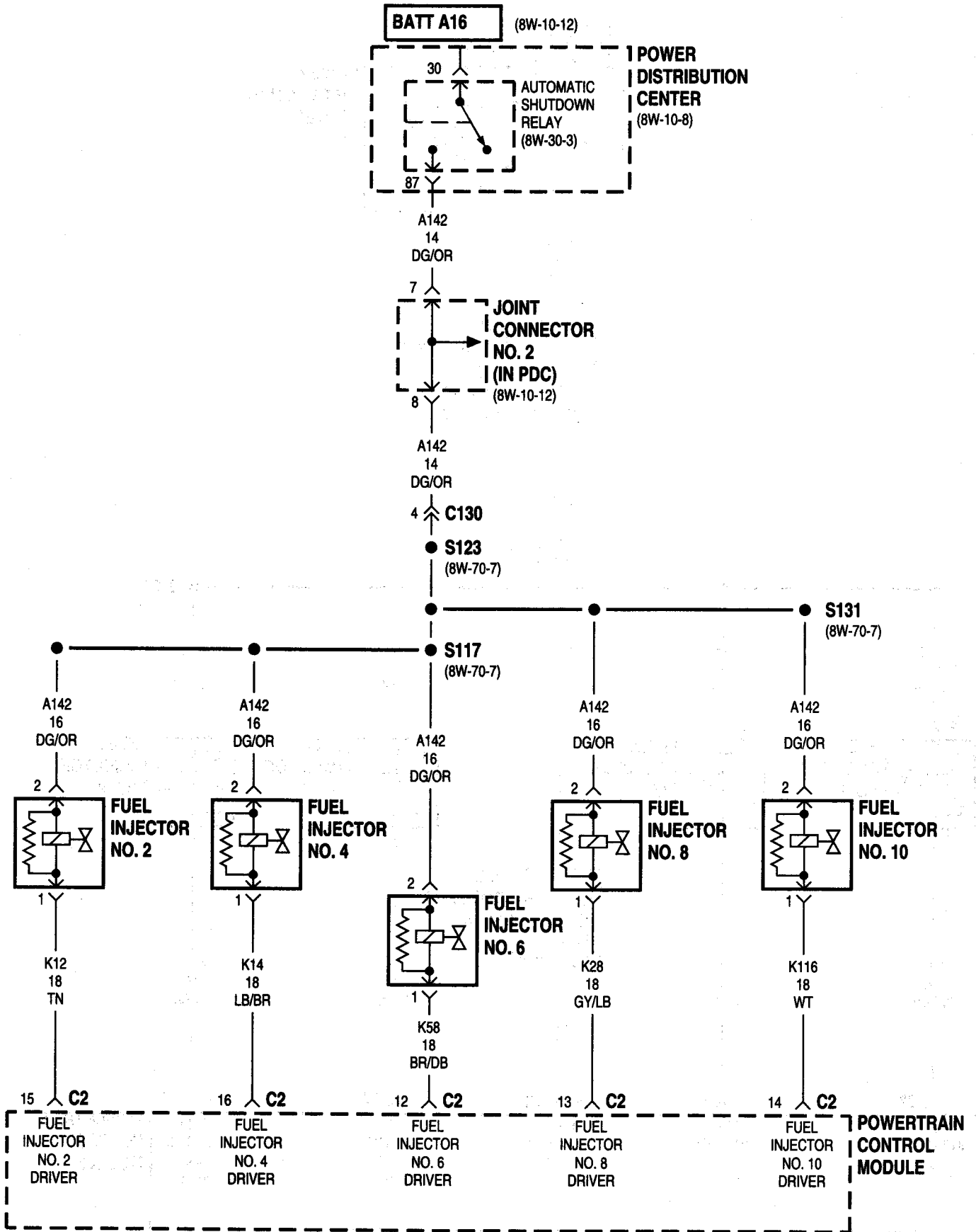




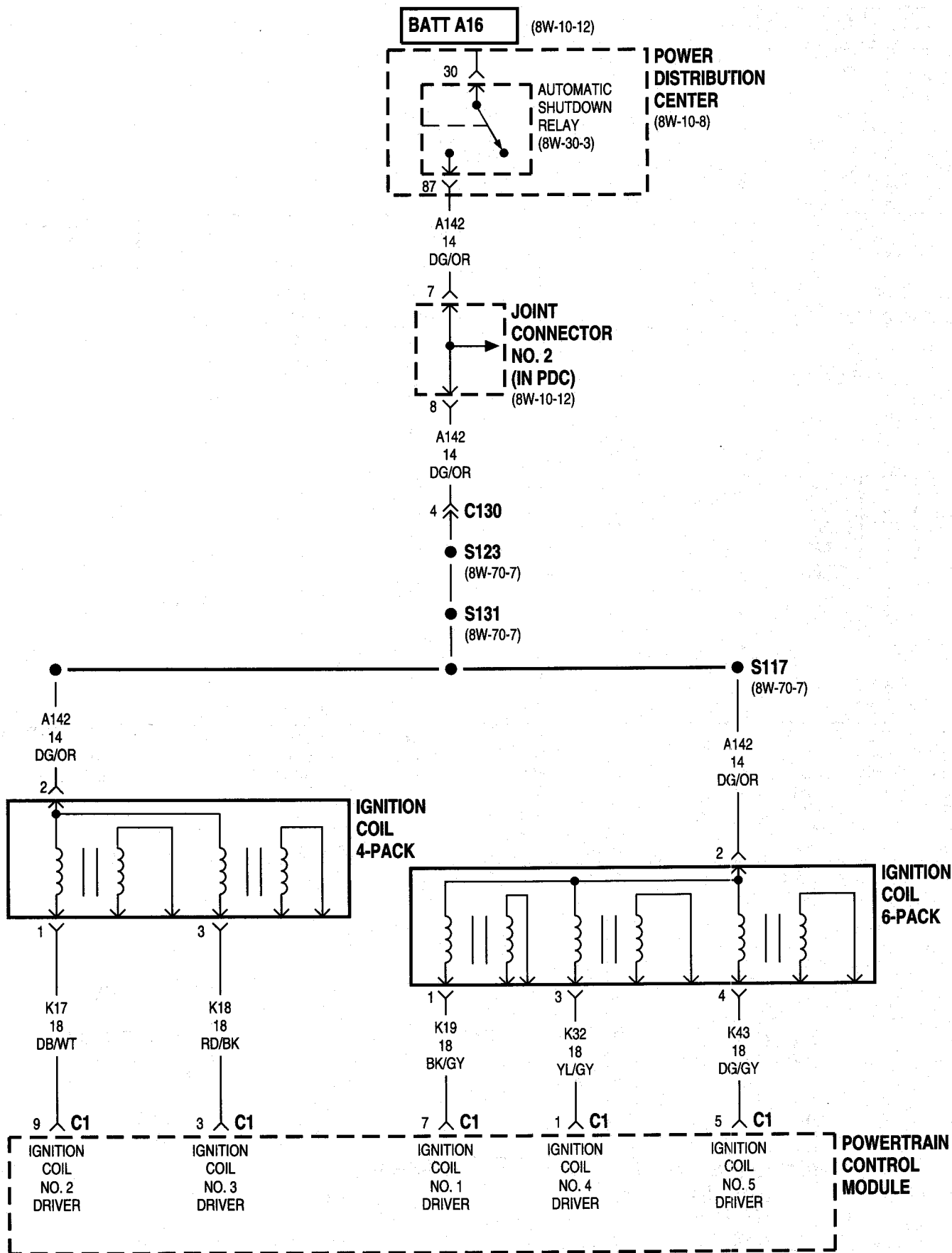
8.0L

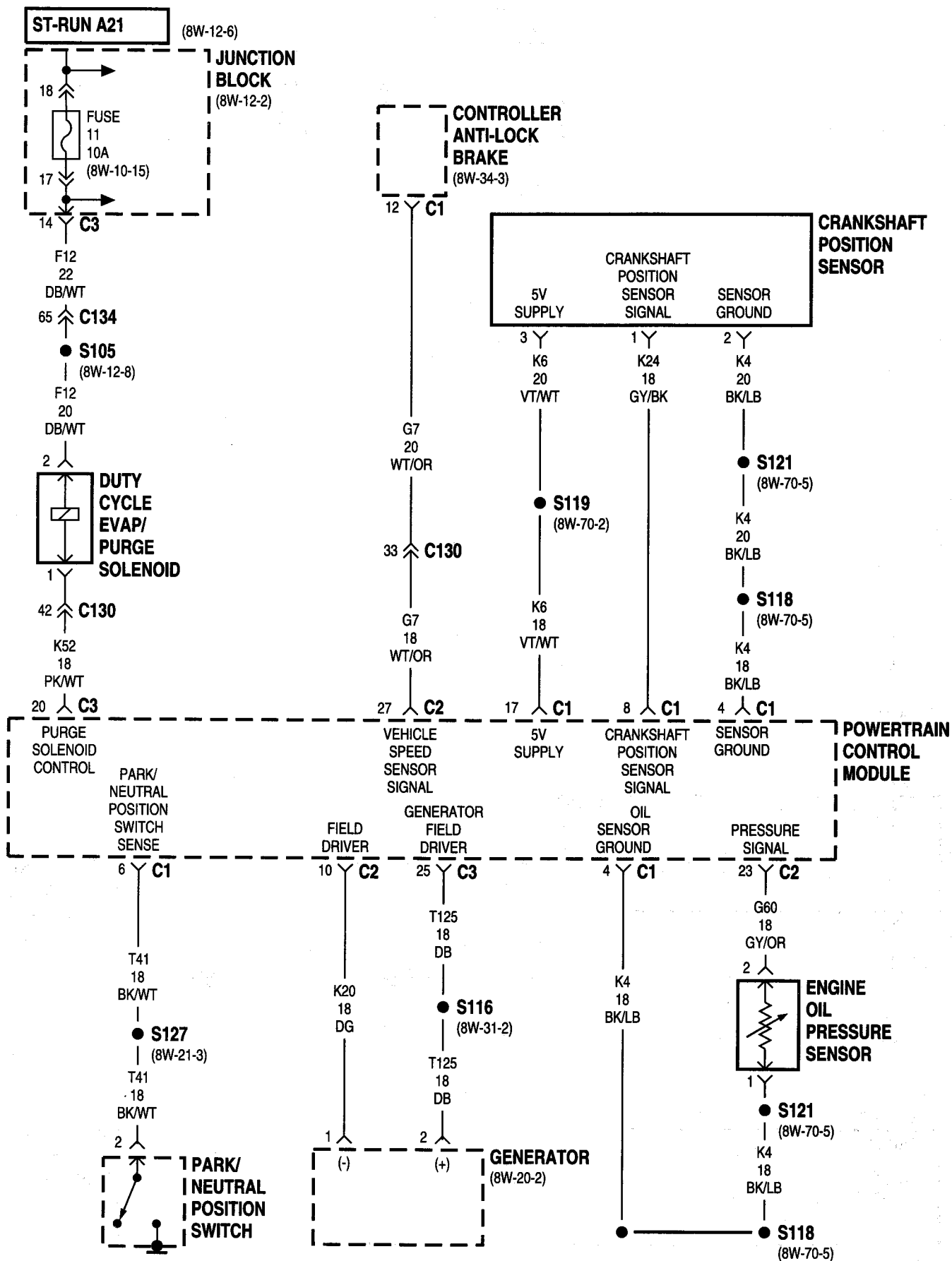


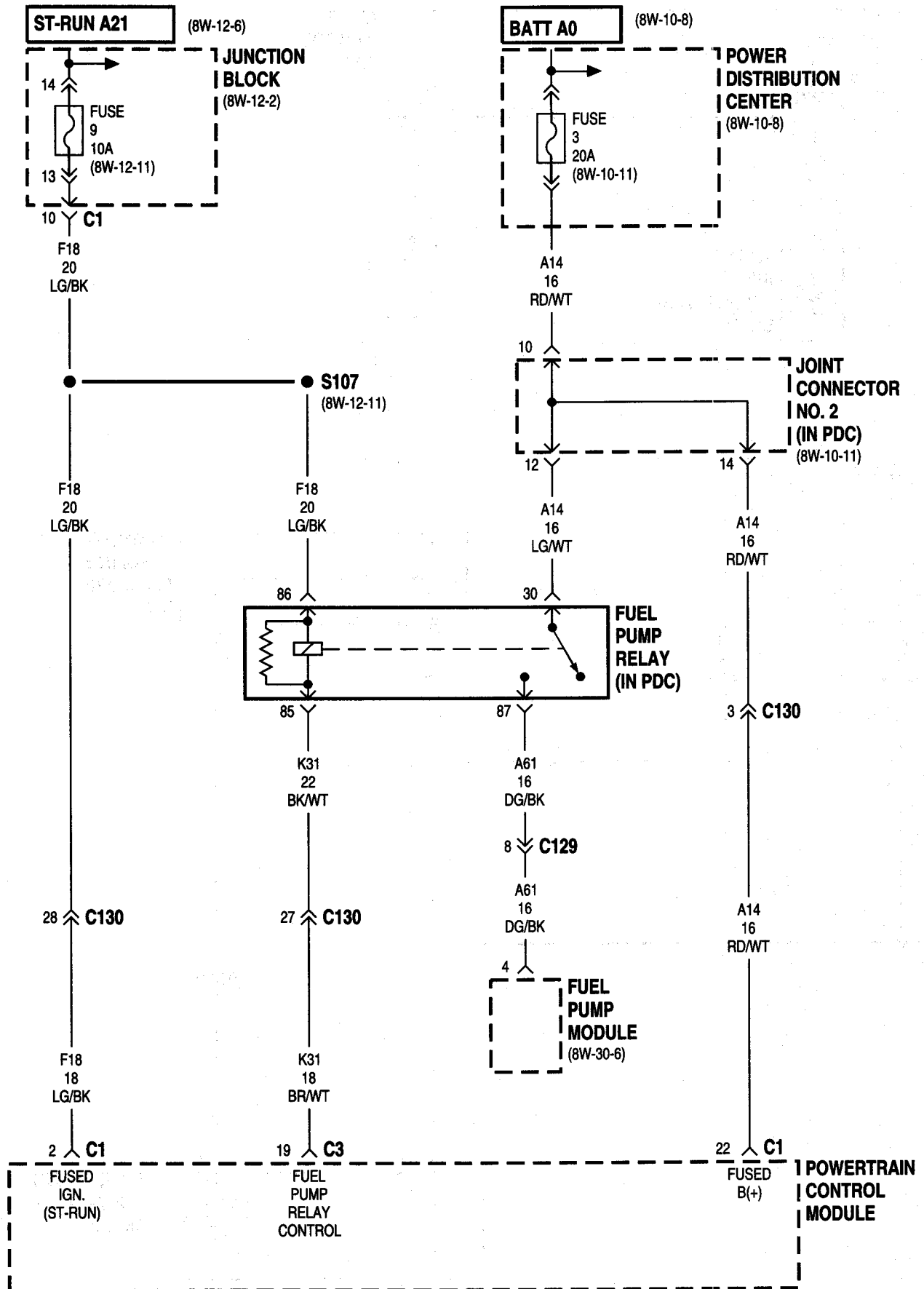
8.0L

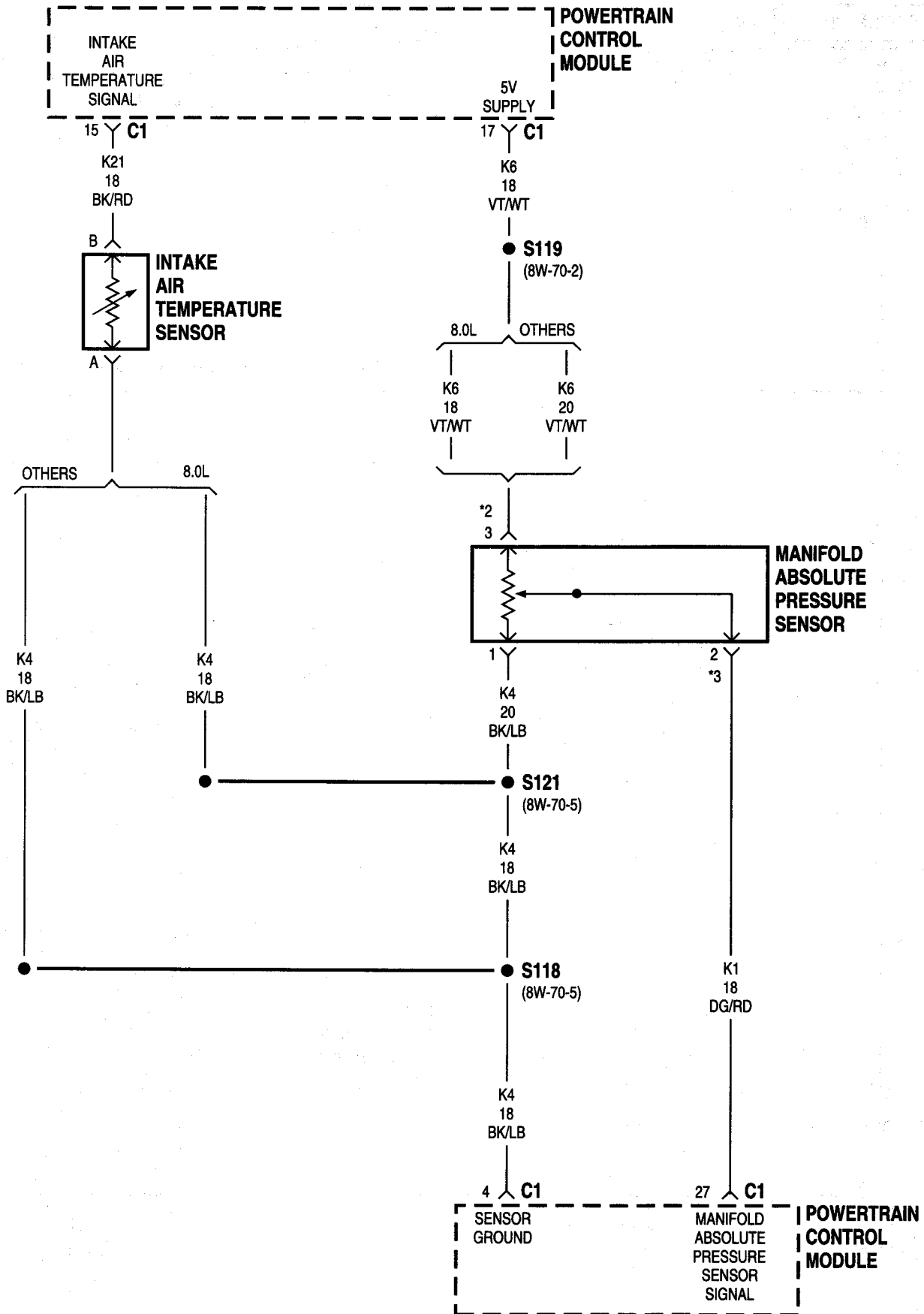




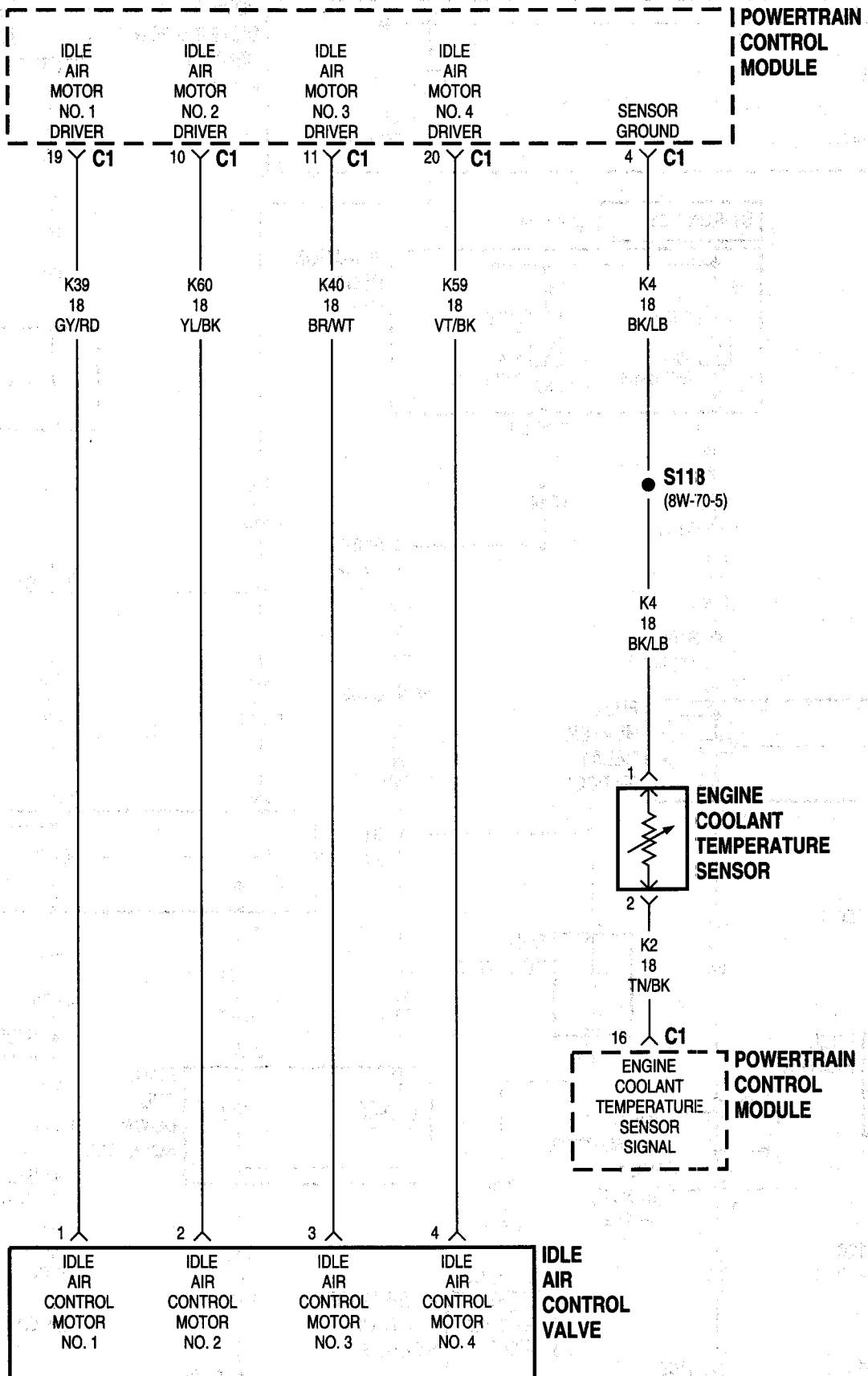


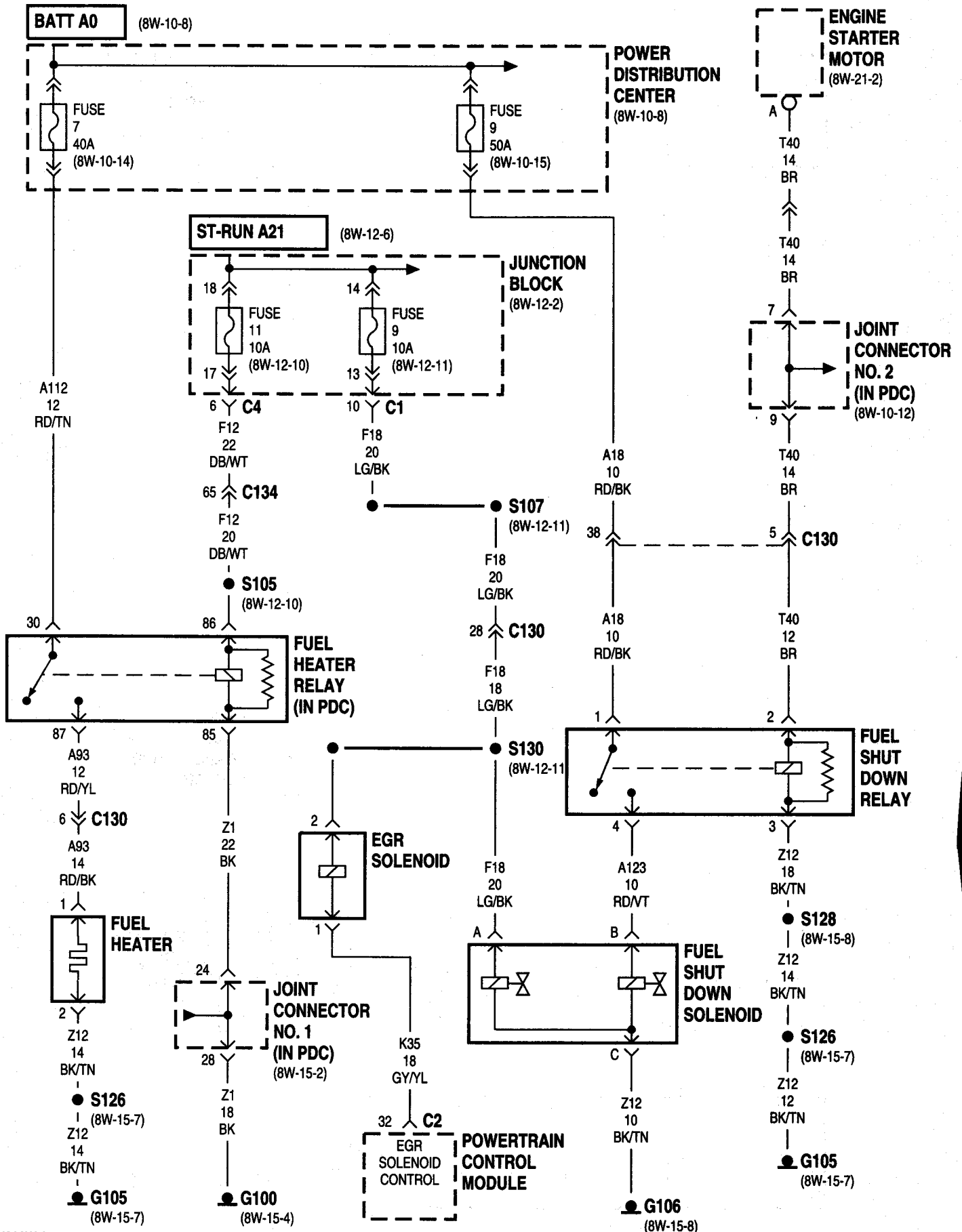


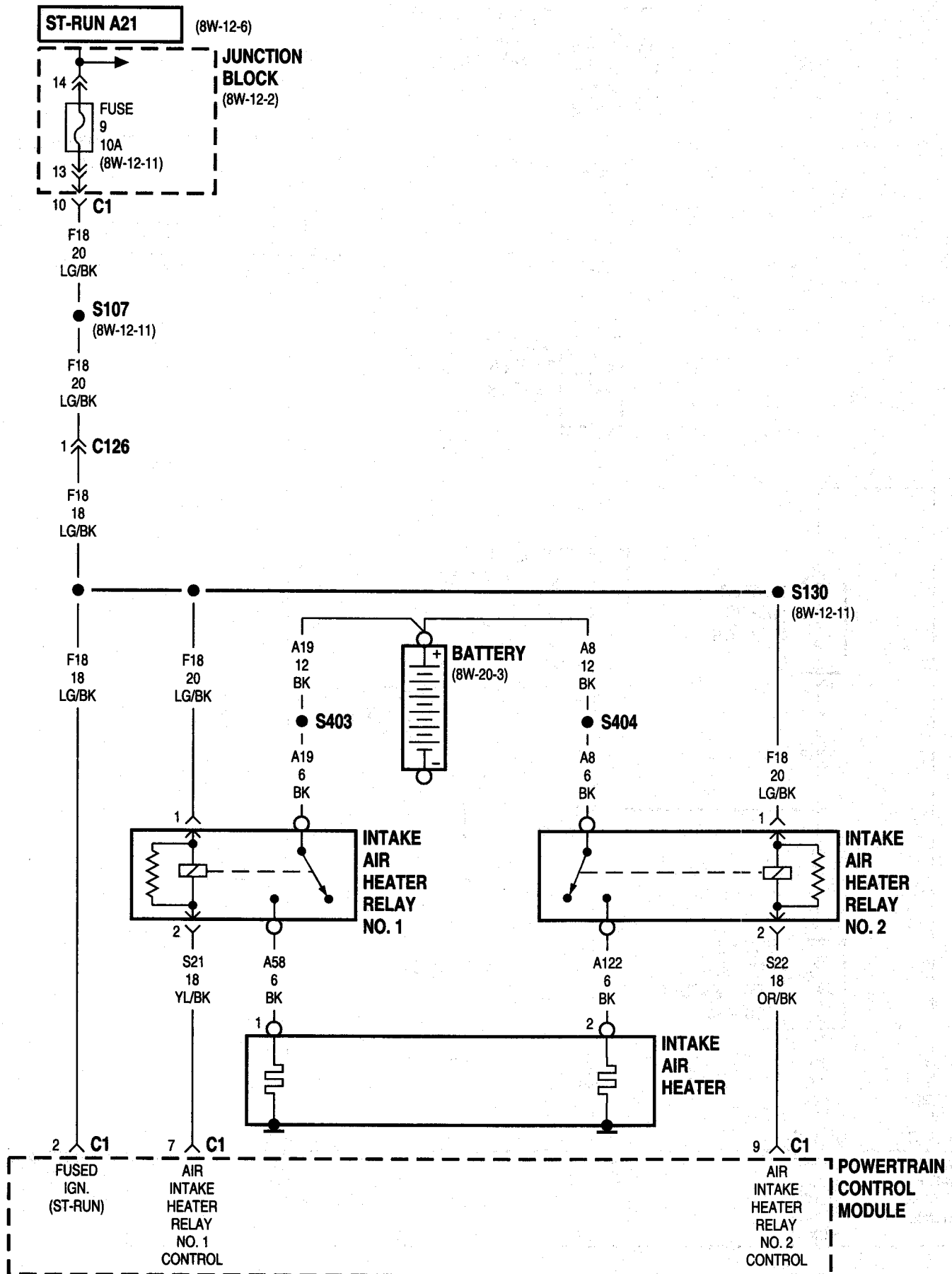




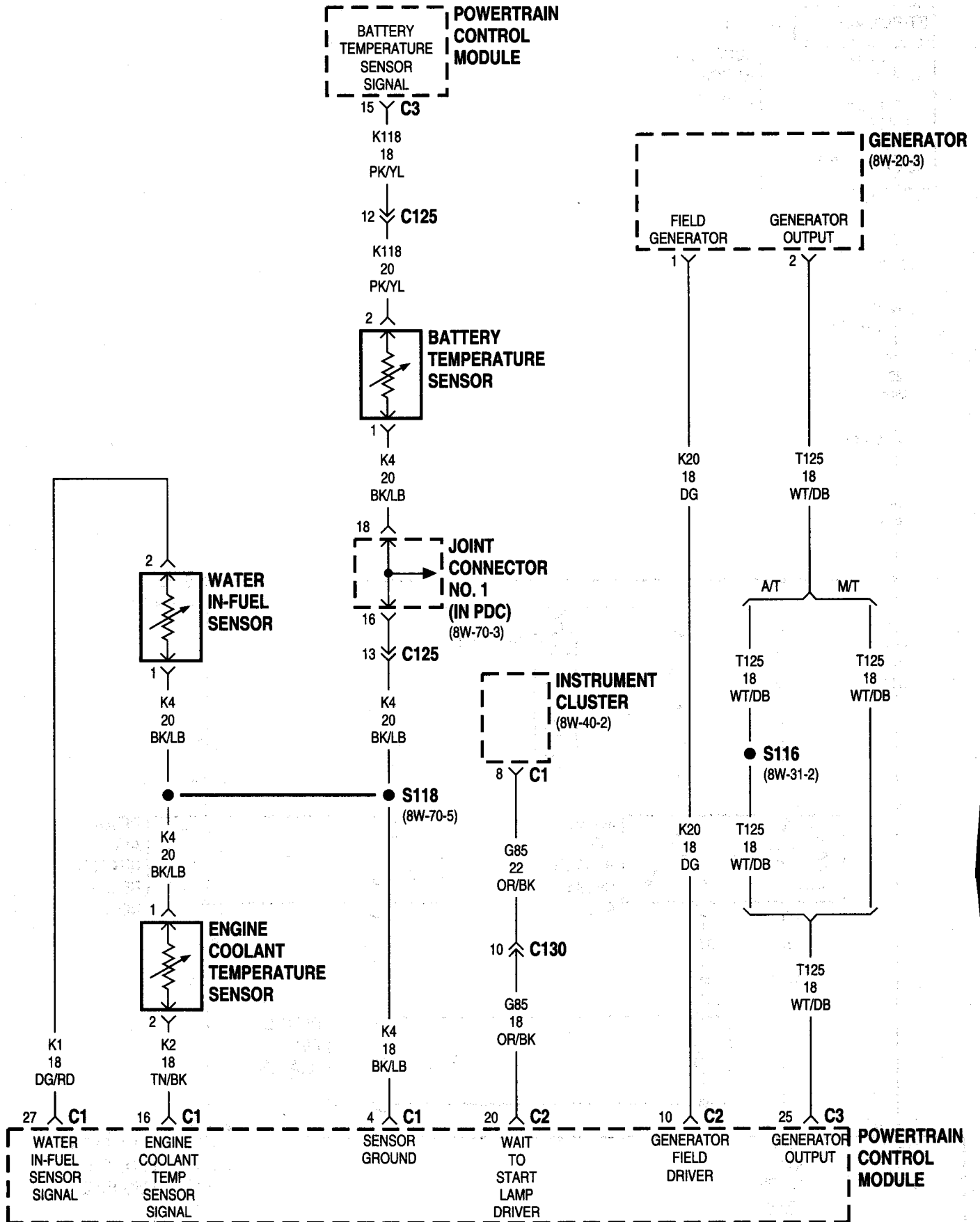
\*8.0L







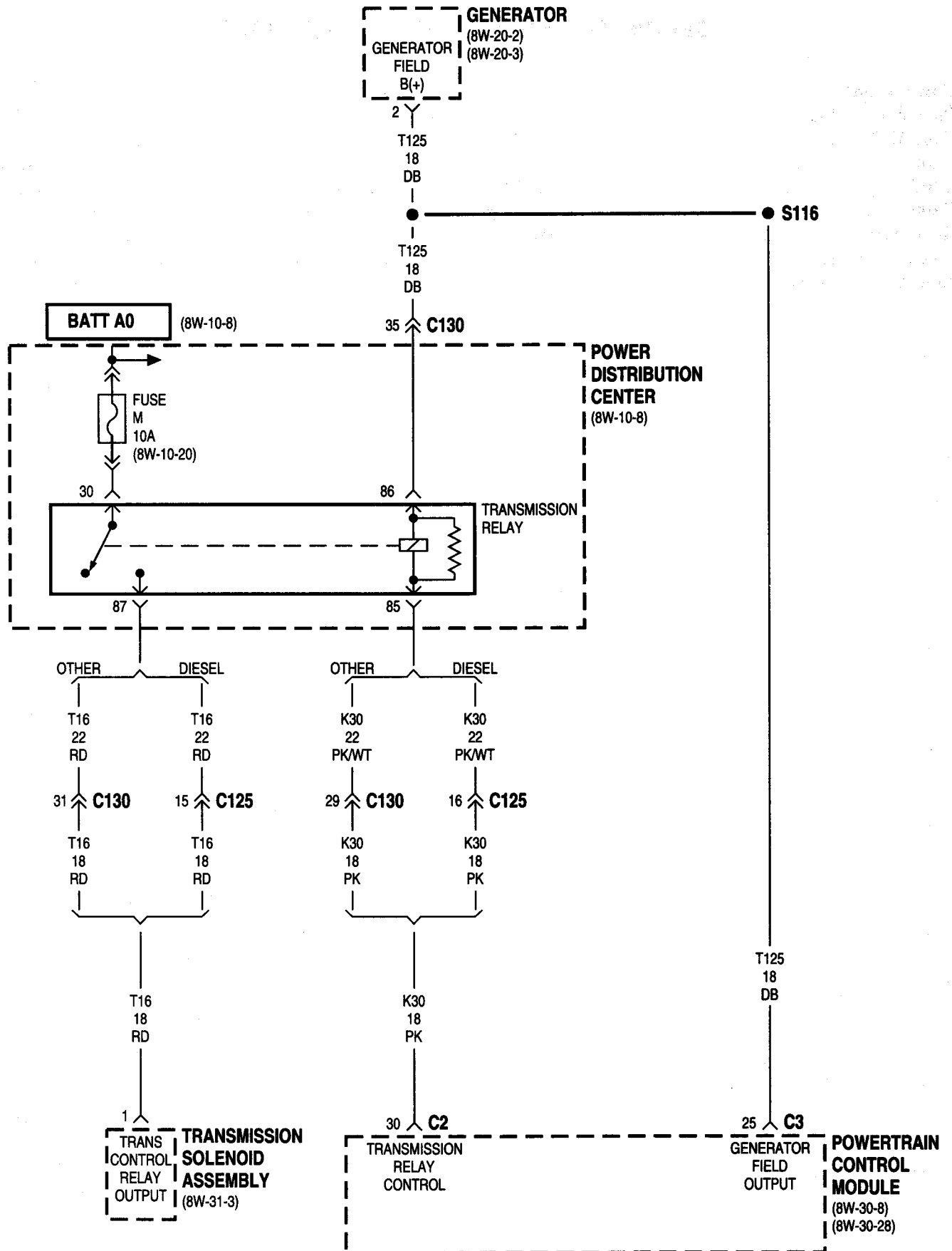
DIESEL

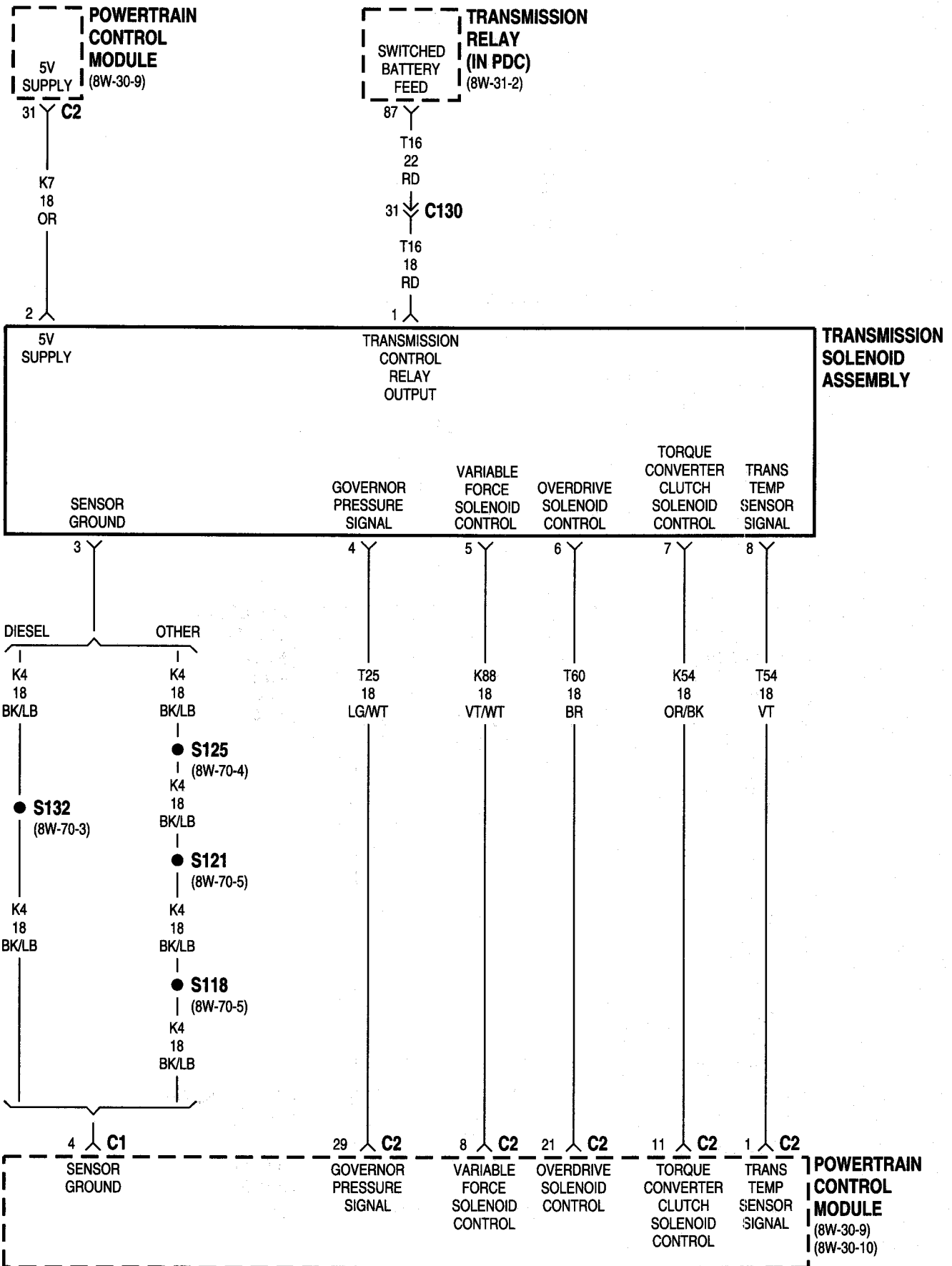


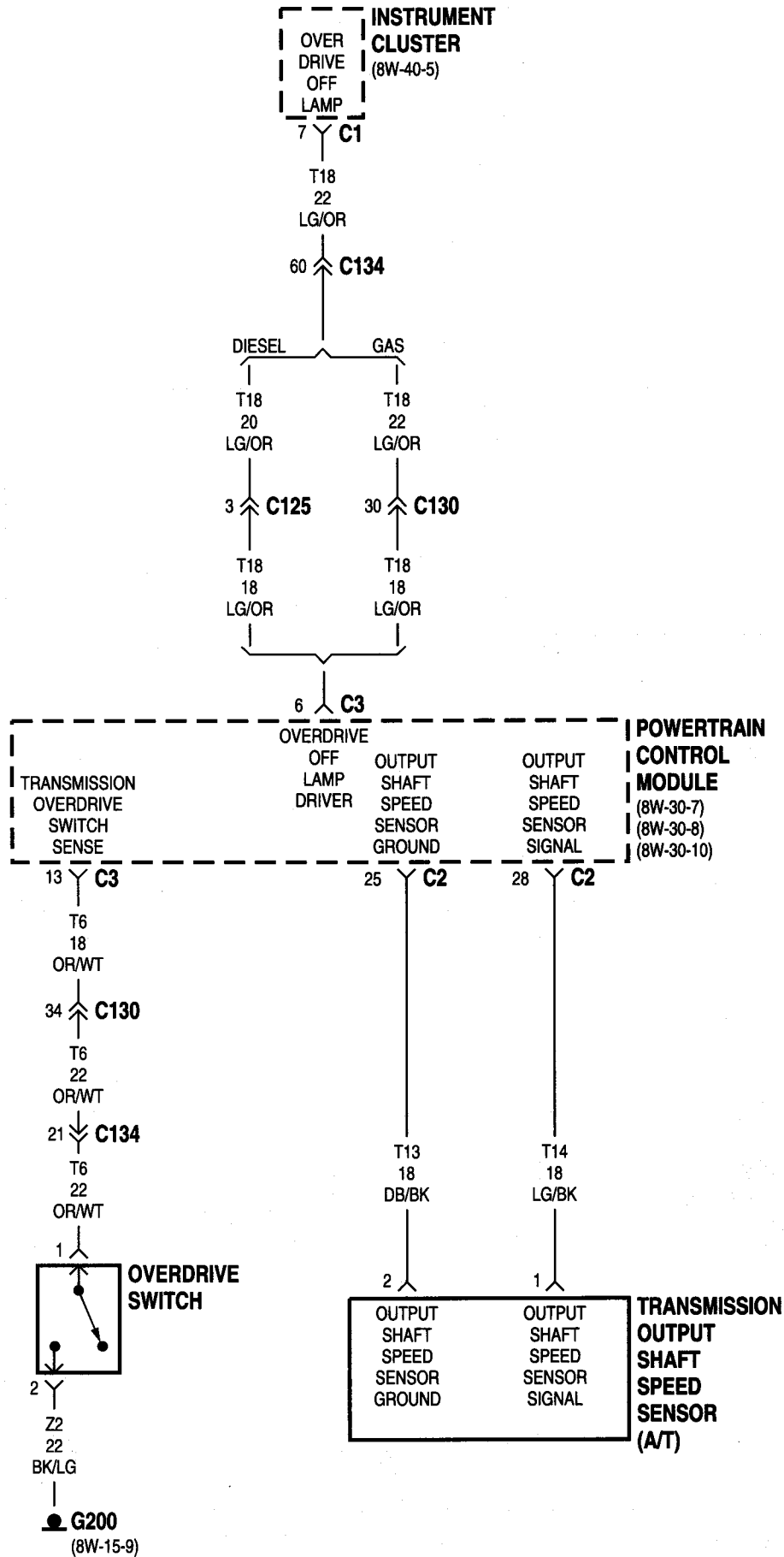


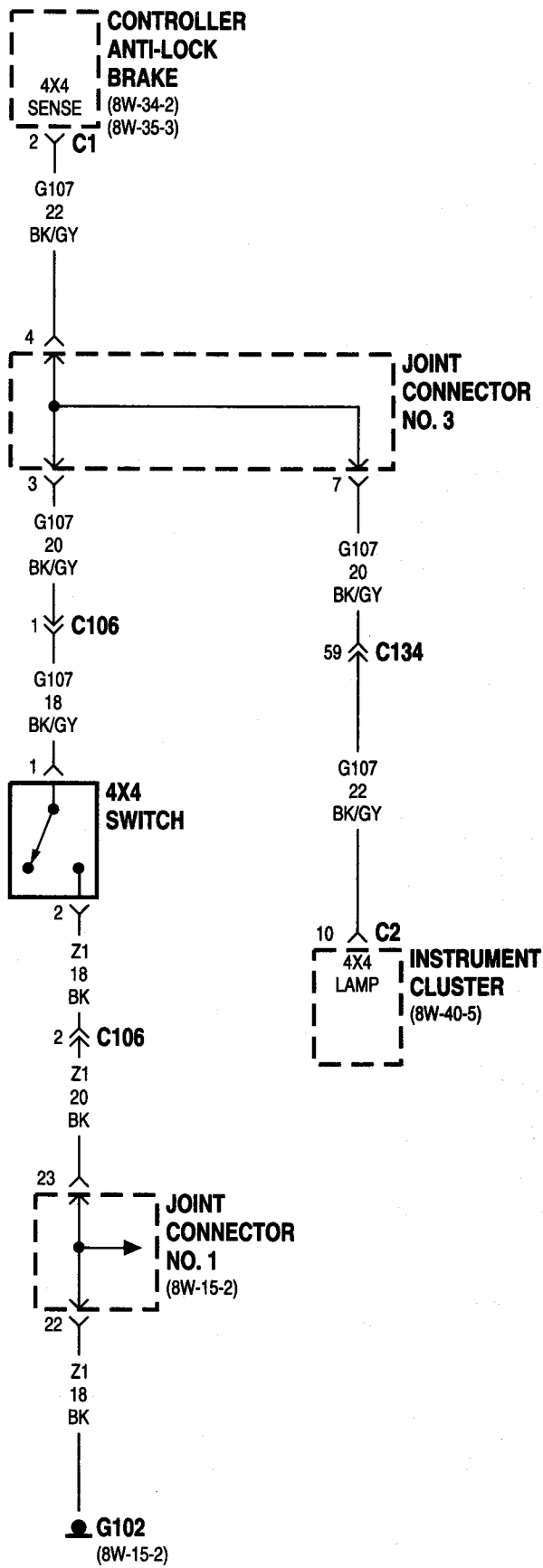
**8W-31 TRANSMISSION CONTROLS**

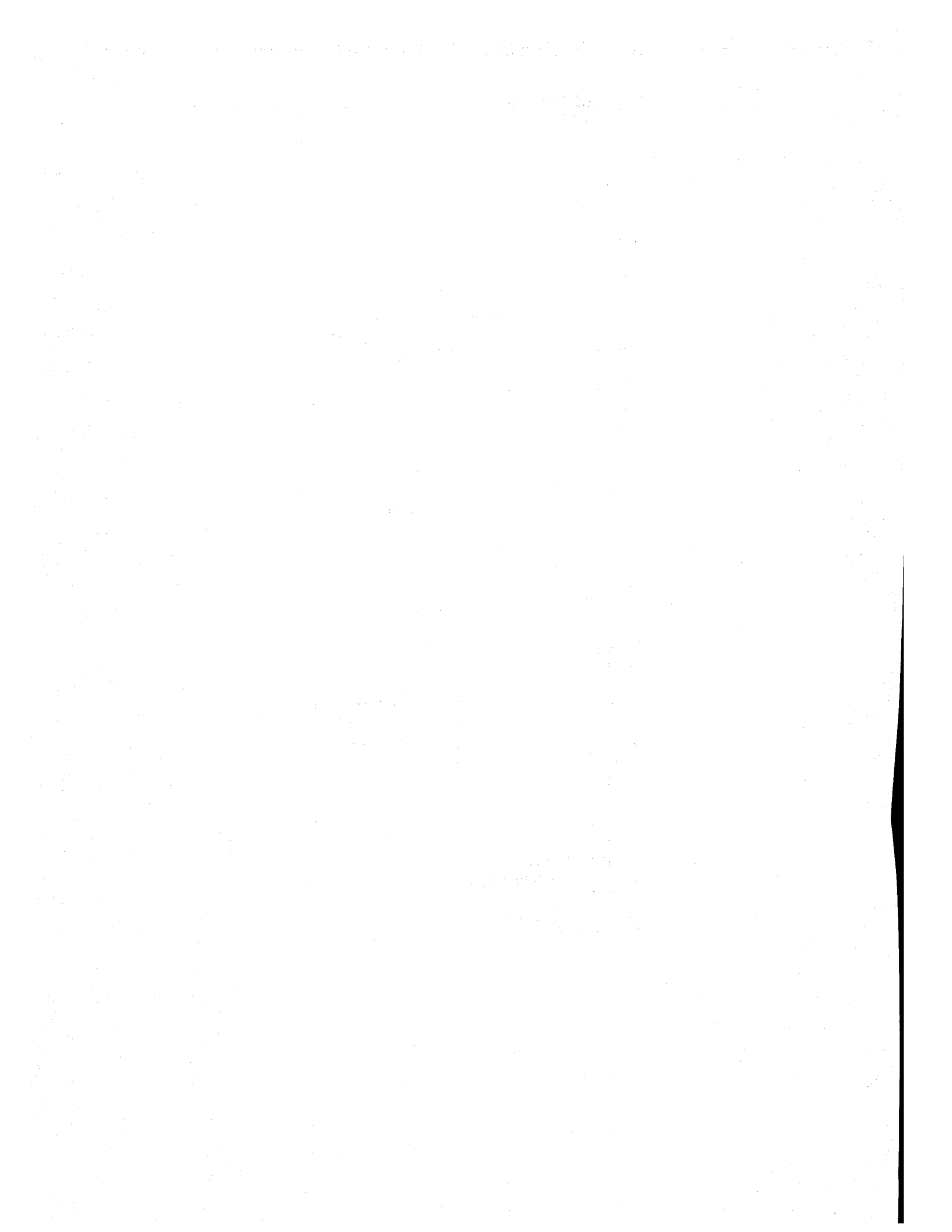
<b>Component</b>	<b>Page</b>	<b>Component</b>	<b>Page</b>
Controller Anti-Lock Brake .....	8W-31-5	Joint Connector No. 3 .....	8W-31-5
Fuse M (PDC) .....	8W-31-2	Overdrive Switch .....	8W-31-4
G102 .....	8W-31-5	Power Distribution Center .....	8W-31-2
G107 .....	8W-31-5	Powertrain Control Module .....	8W-31-2, 3, 4
G200 .....	8W-31-4	Transmission Output Shaft Speed Sensor ..	8W-31-4
Generator .....	8W-31-2	Transmission Relay .....	8W-31-2, 3
Instrument Cluster .....	8W-31-4, 5	Transmission Solenoid Assembly .....	8W-31-2, 3
Joint Connector No. 1 .....	8W-31-5		





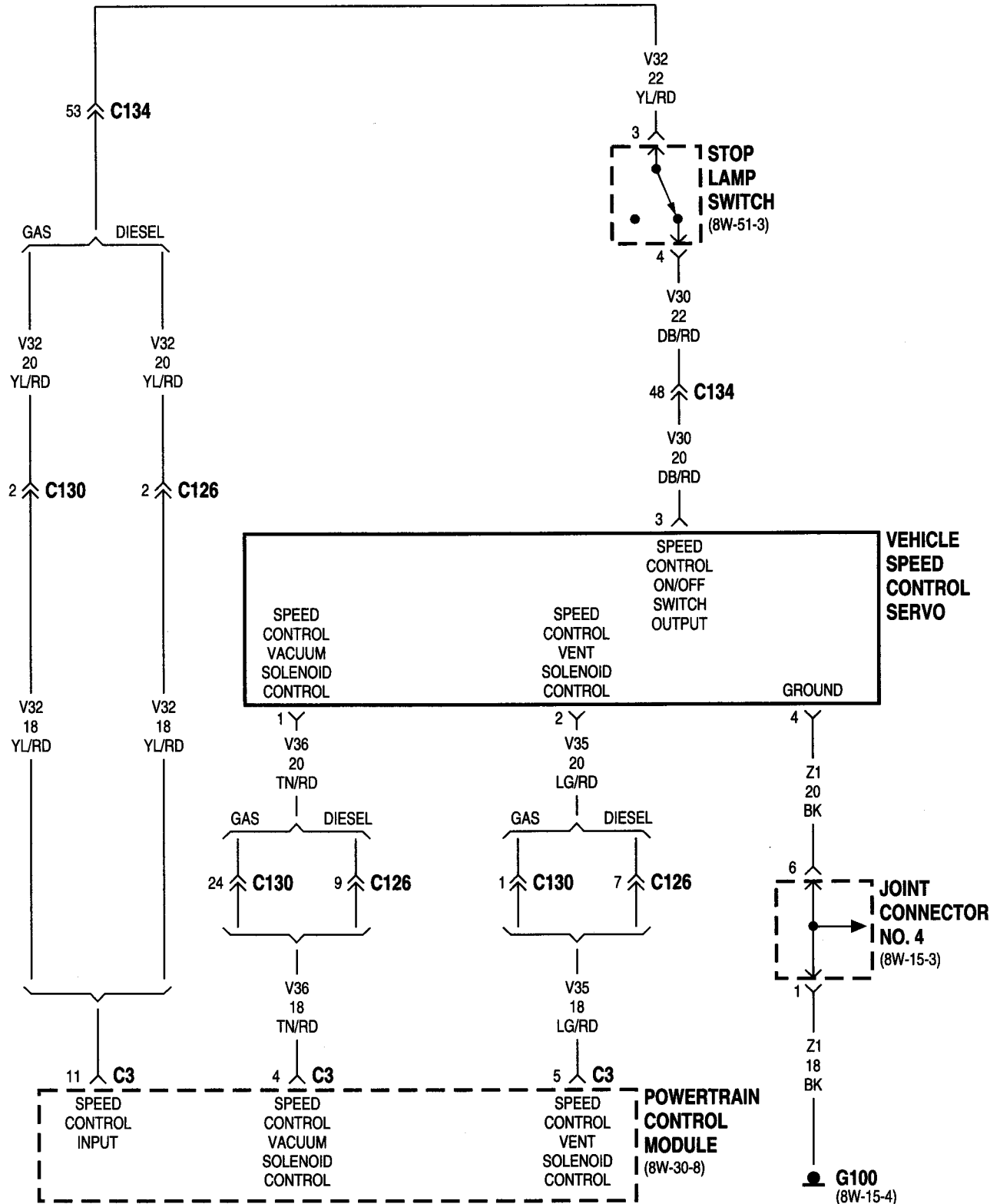




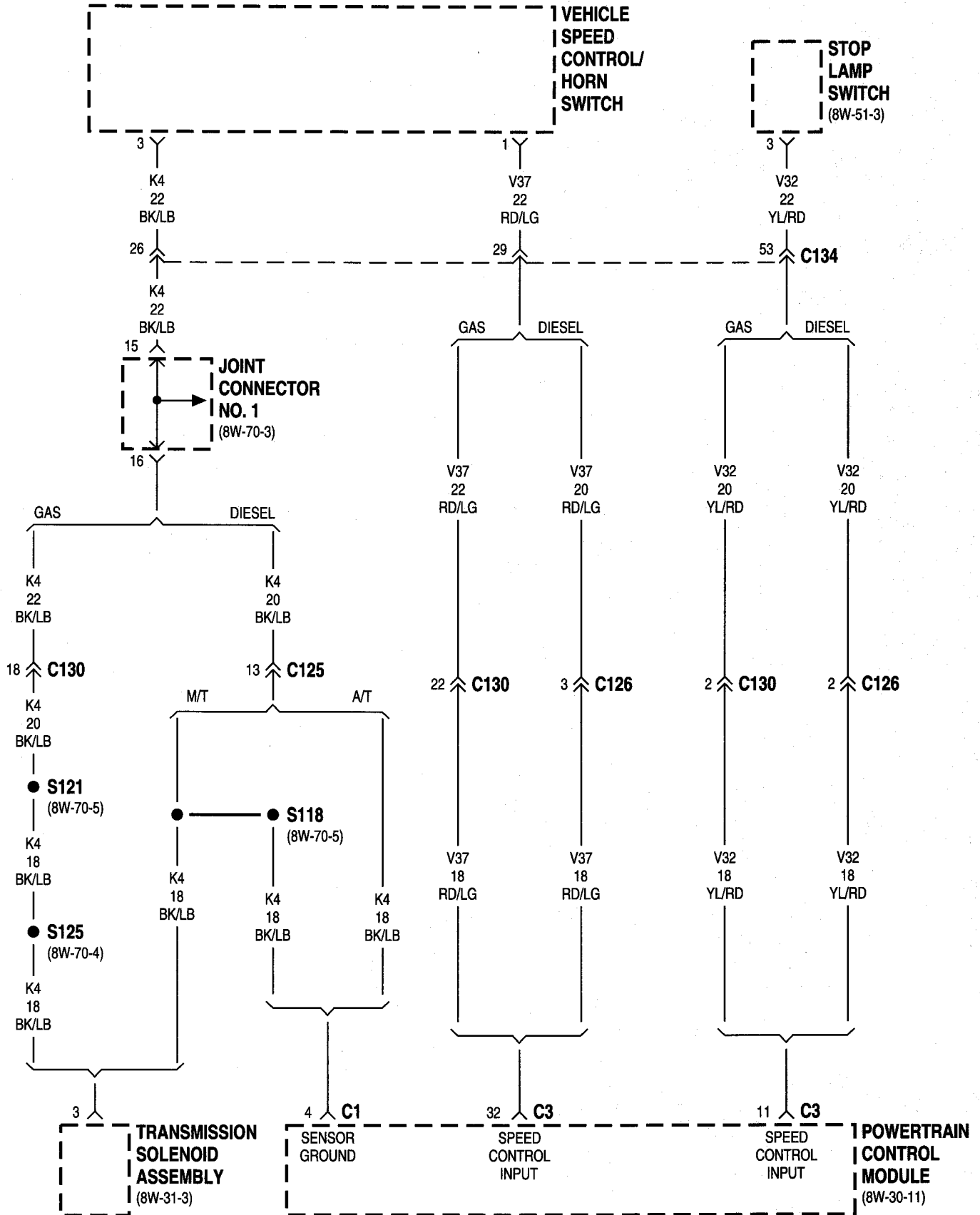


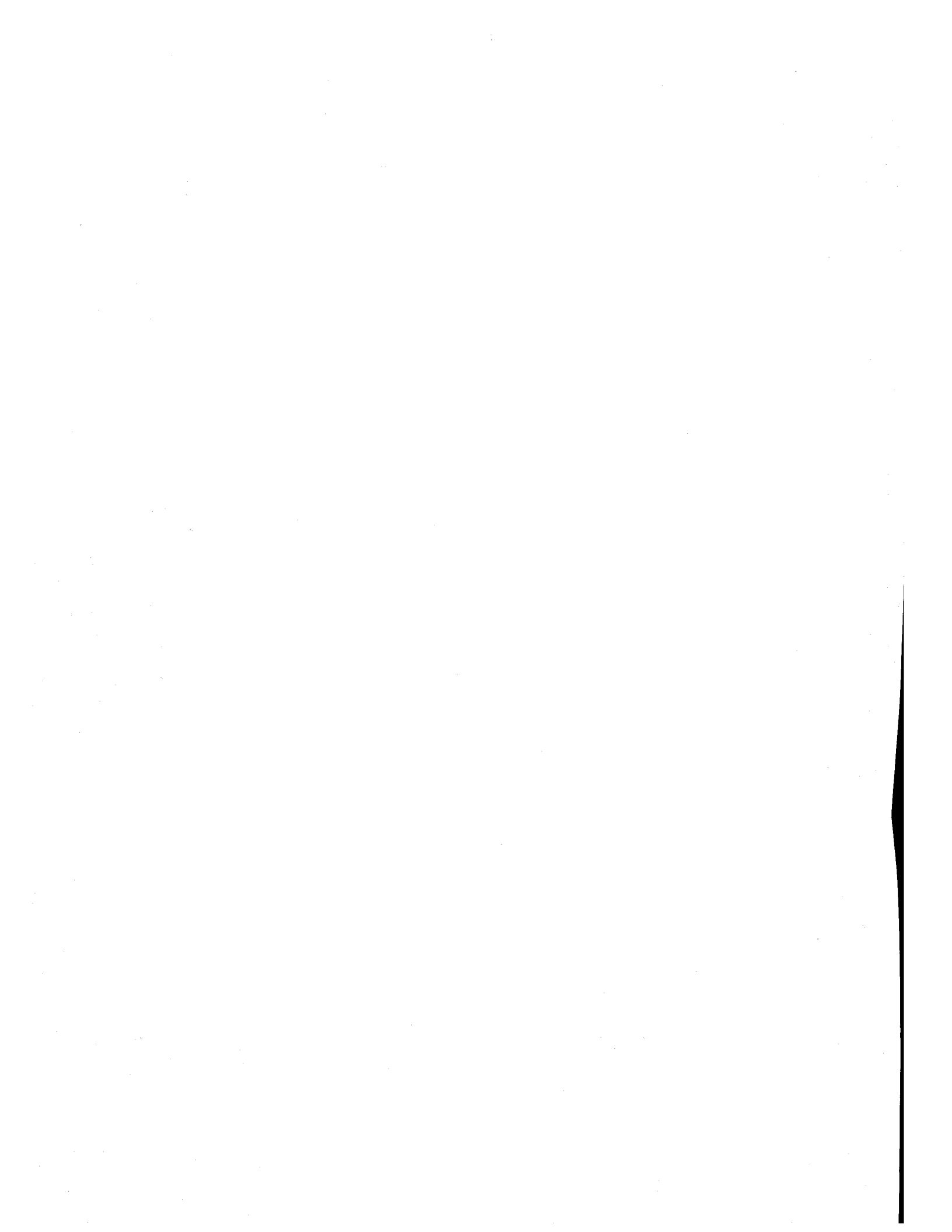
## 8W-33 VEHICLE SPEED CONTROL

<b>Component</b>	<b>Page</b>	<b>Component</b>	<b>Page</b>
G100 .....	.8W-33-2	Stop Lamp Switch .....	.8W-33-2, 3
Joint Connector No. 1 .....	.8W-33-3	Transmission Solenoid Assembly .....	.8W-33-3
Joint Connector No. 4 .....	.8W-33-2	Vehicle Speed Control Servo .....	.8W-33-2
Powertrain Control Module .....	.8W-33-2, 3	Vehicle Speed Control/Horn Switch .....	.8W-33-3



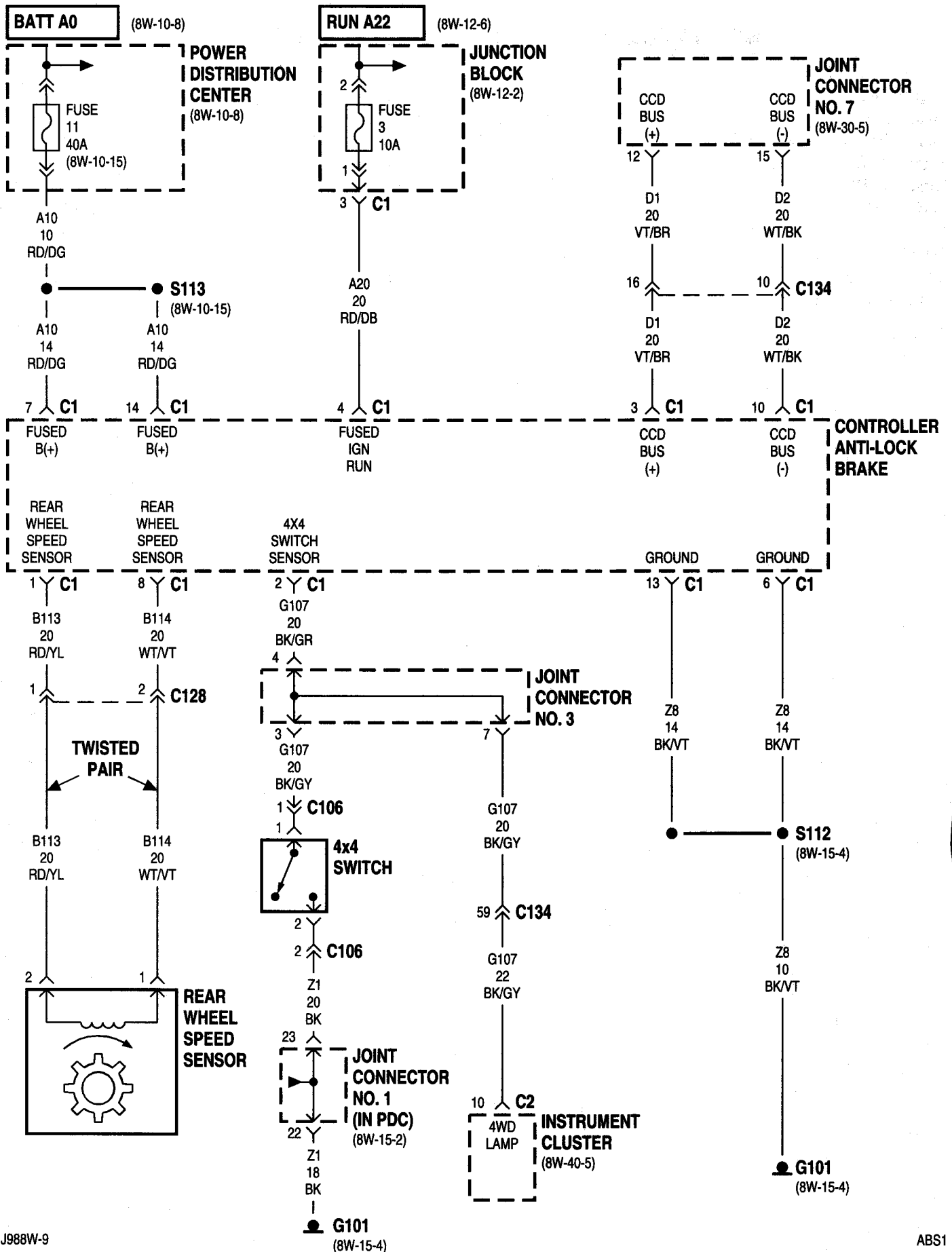


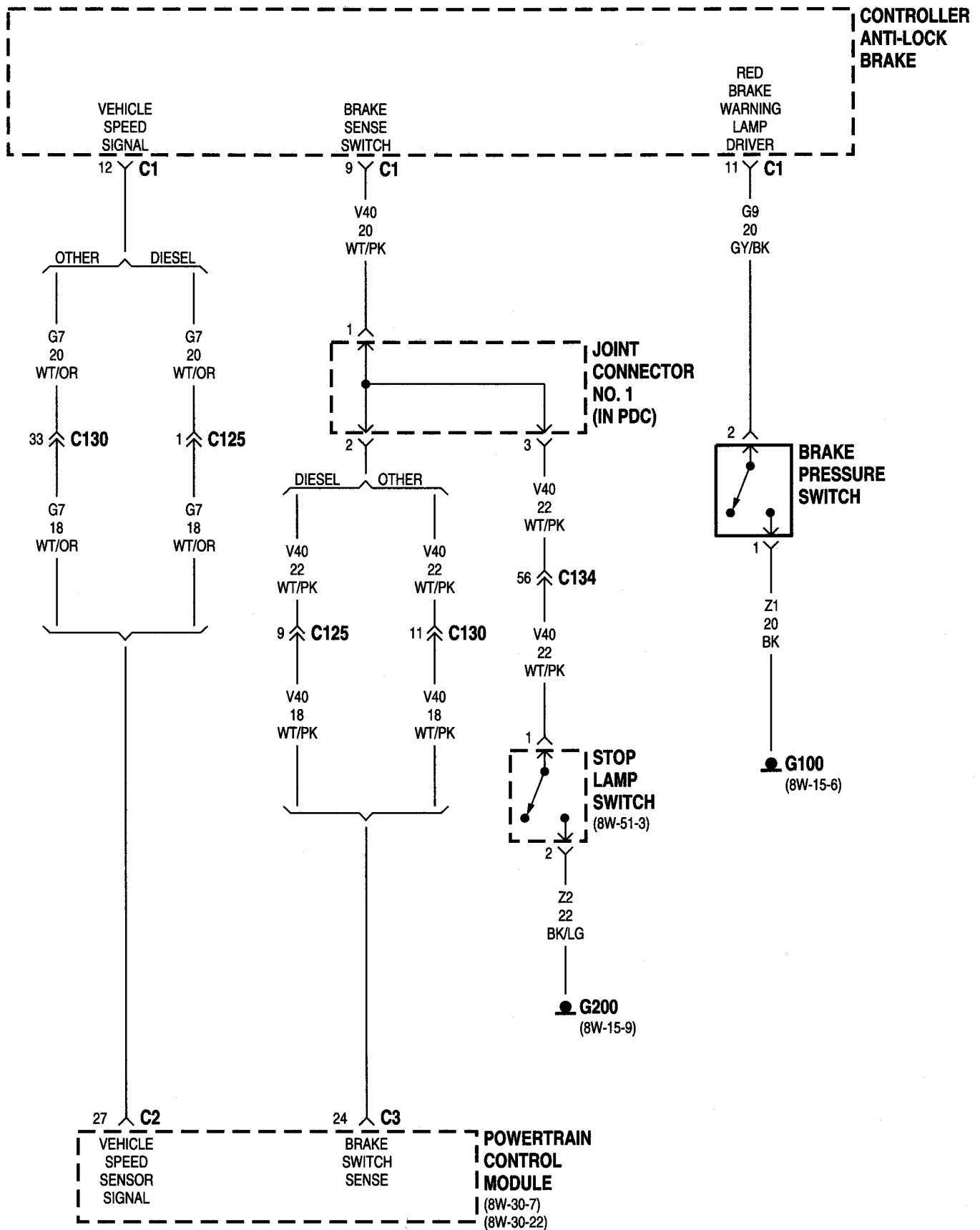


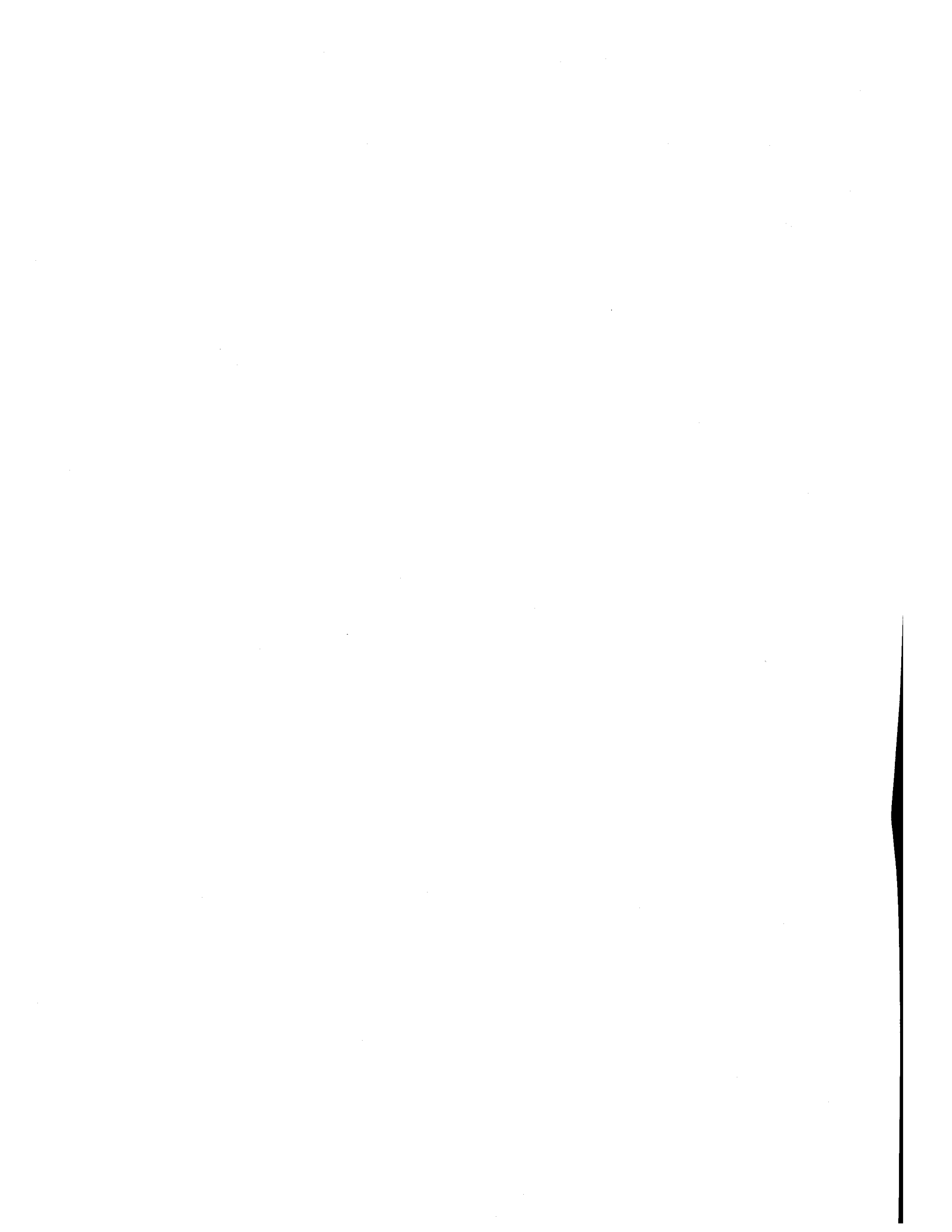


## 8W-34 REAR WHEEL ANTI-LOCK BRAKES

<b>Component</b>	<b>Page</b>	<b>Component</b>	<b>Page</b>
Brake Pressure Switch .....	8W-34-3	Joint Connector No. 1 .....	8W-34-2, 3
Controller Anti-Lock Brake .....	8W-34-2, 3	Joint Connector No. 3 .....	8W-34-2
Fuse 3 (JB) .....	8W-34-2	Joint Connector No. 7 .....	8W-34-2
Fuse 11 (PDC) .....	8W-34-2	Junction Block .....	8W-34-2
G100 .....	8W-34-3	Power Distribution Center .....	8W-34-2
G101 .....	8W-34-2	Powertrain Control Module .....	8W-34-3
G107 .....	8W-34-2	Rear Wheel Speed Sensor .....	8W-34-2
G200 .....	8W-34-3	Stop Lamp Switch .....	8W-34-3
Instrument Cluster .....	8W-34-2		

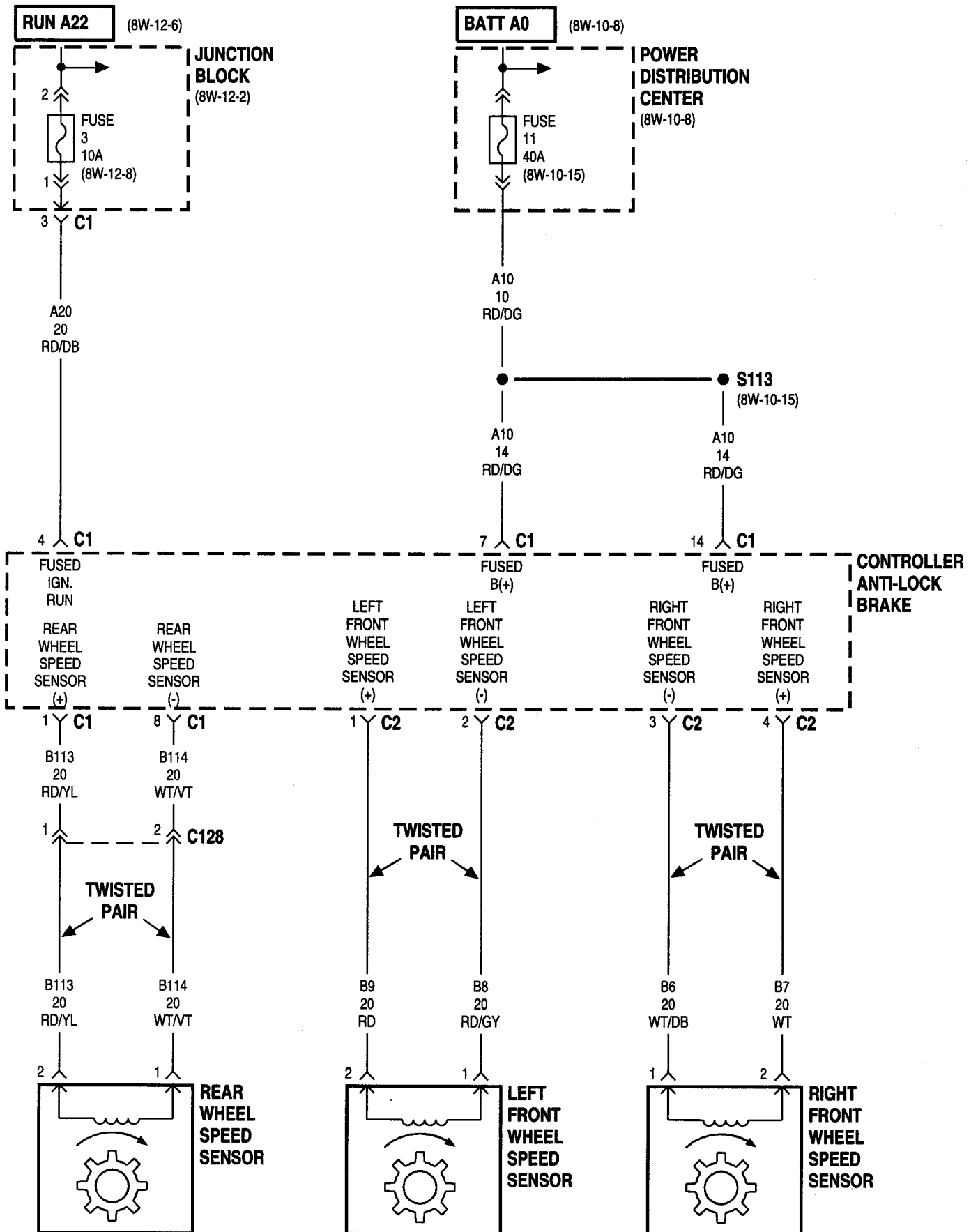




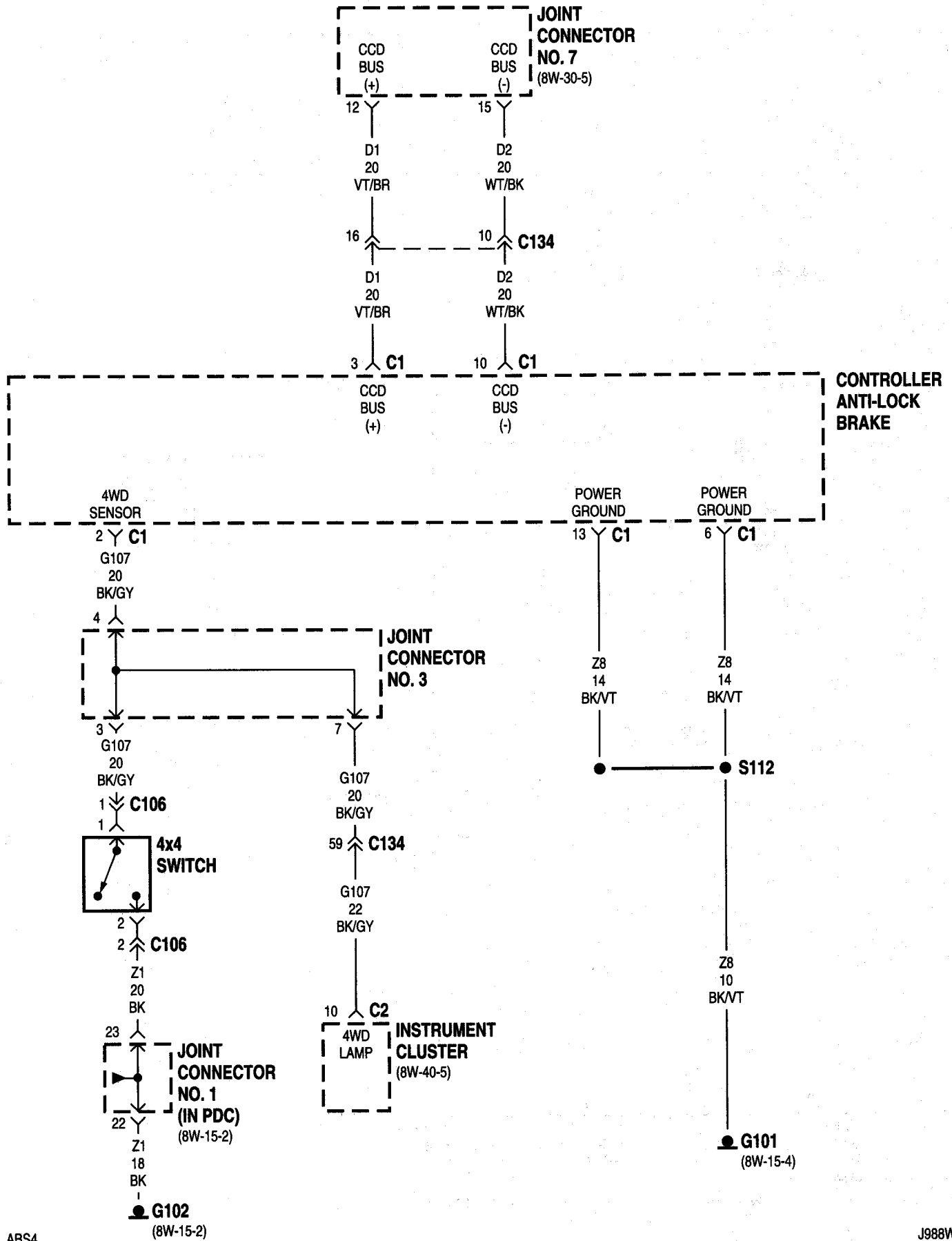


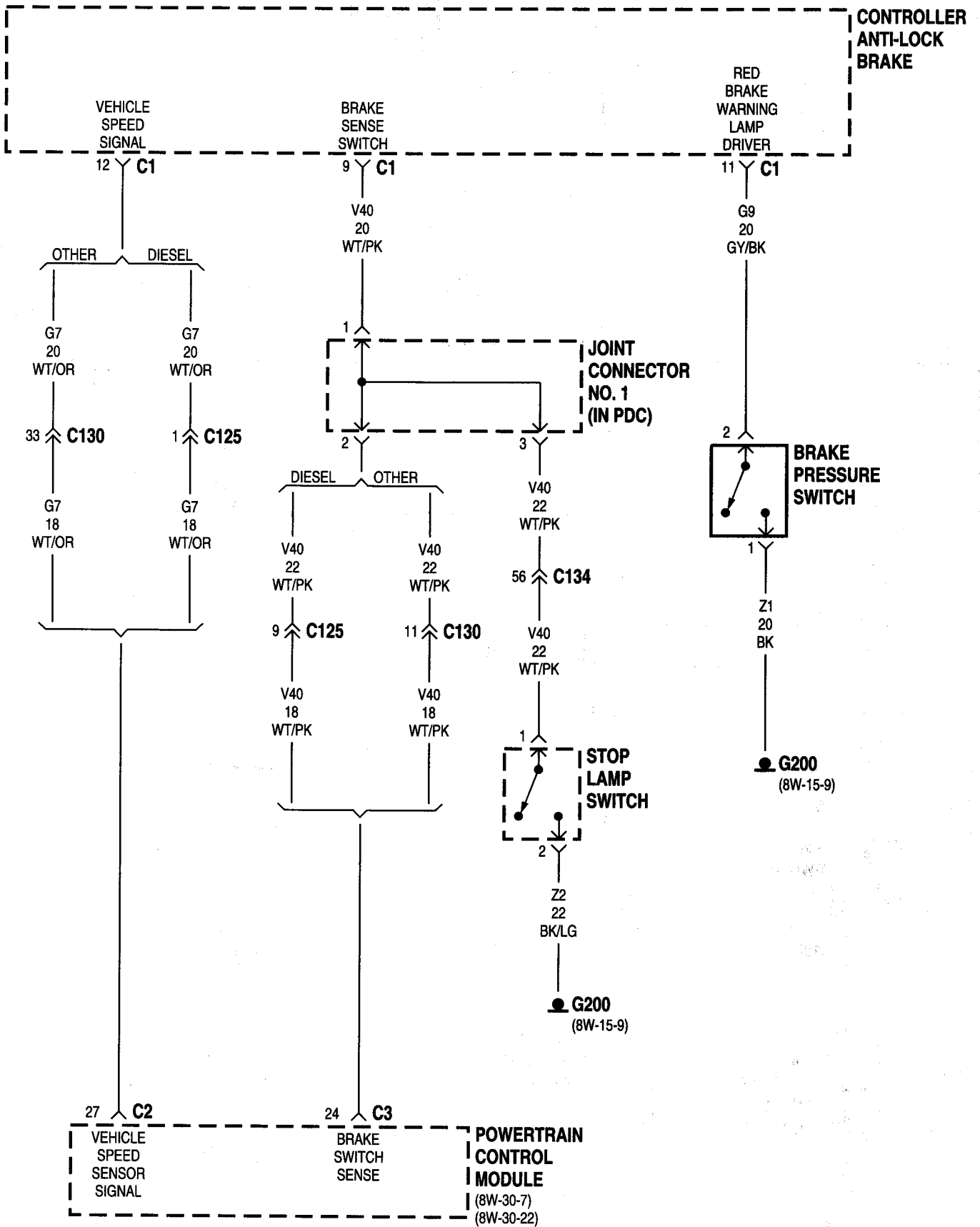
## 8W-35 ALL-WHEEL ANTI-LOCK BRAKES

<b>Component</b>	<b>Page</b>	<b>Component</b>	<b>Page</b>
Brake Pressure Switch .....	8W-35-4	Joint Connector No. 3 .....	8W-35-3
Controller Anti-Lock Brake .....	8W-35-2, 3, 4	Joint Connector No. 7 .....	8W-35-3
Fuse 3 (JB) .....	8W-35-2	Junction Block .....	8W-35-2
Fuse 11 (PDC) .....	8W-35-2	Left Front Wheel Speed Sensor .....	8W-35-2
G101 .....	8W-35-3	Power Distribution Center .....	8W-35-2
G102 .....	8W-35-3	Powertrain Control Module .....	8W-35-4
G200 .....	8W-35-4	Rear Wheel Speed Sensor .....	8W-35-2
Instrument Cluster .....	8W-35-3	Right Front Wheel Speed Sensor .....	8W-35-2
Joint Connector No. 1 .....	8W-35-3, 4	Stop Lamp Switch .....	8W-35-4



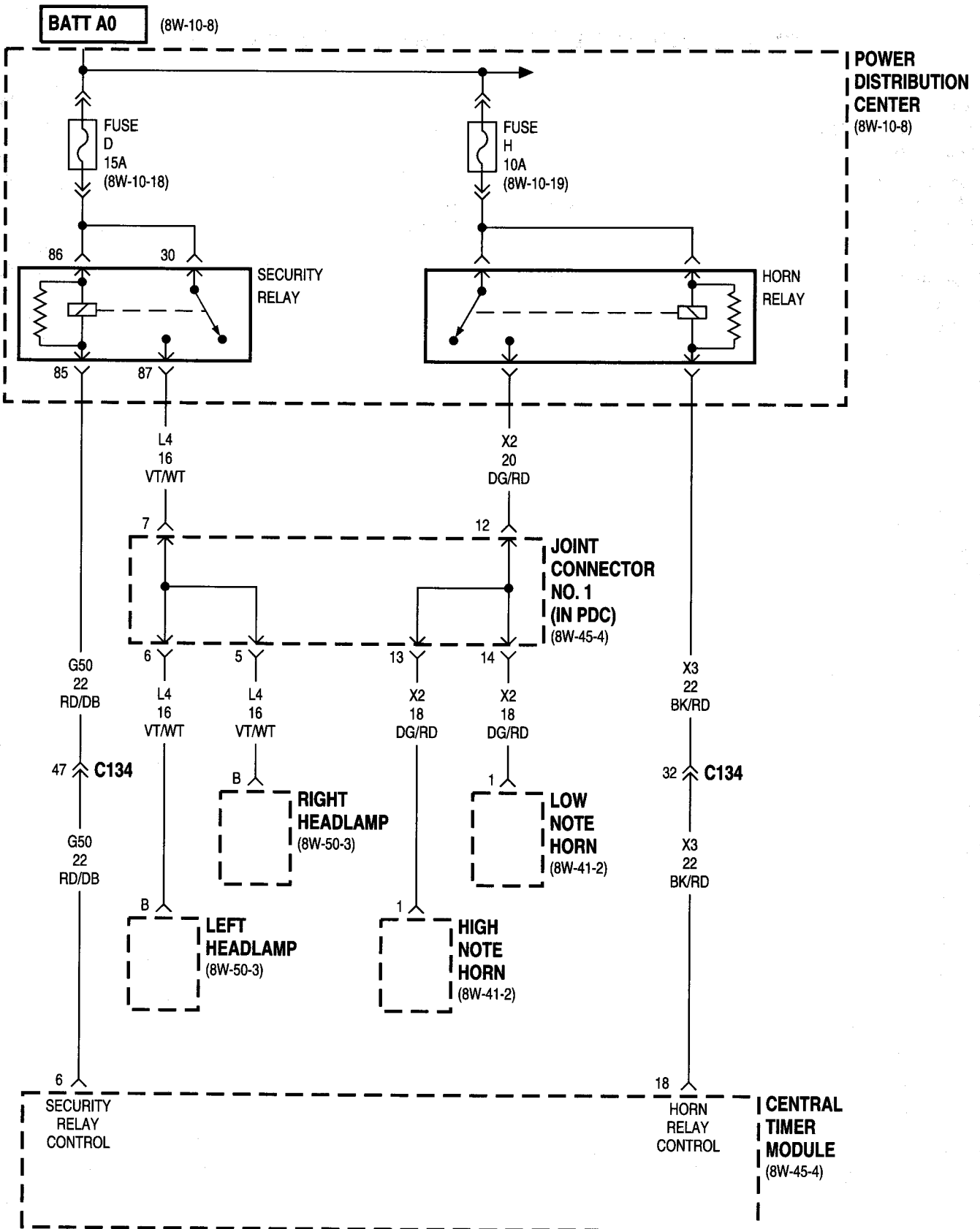


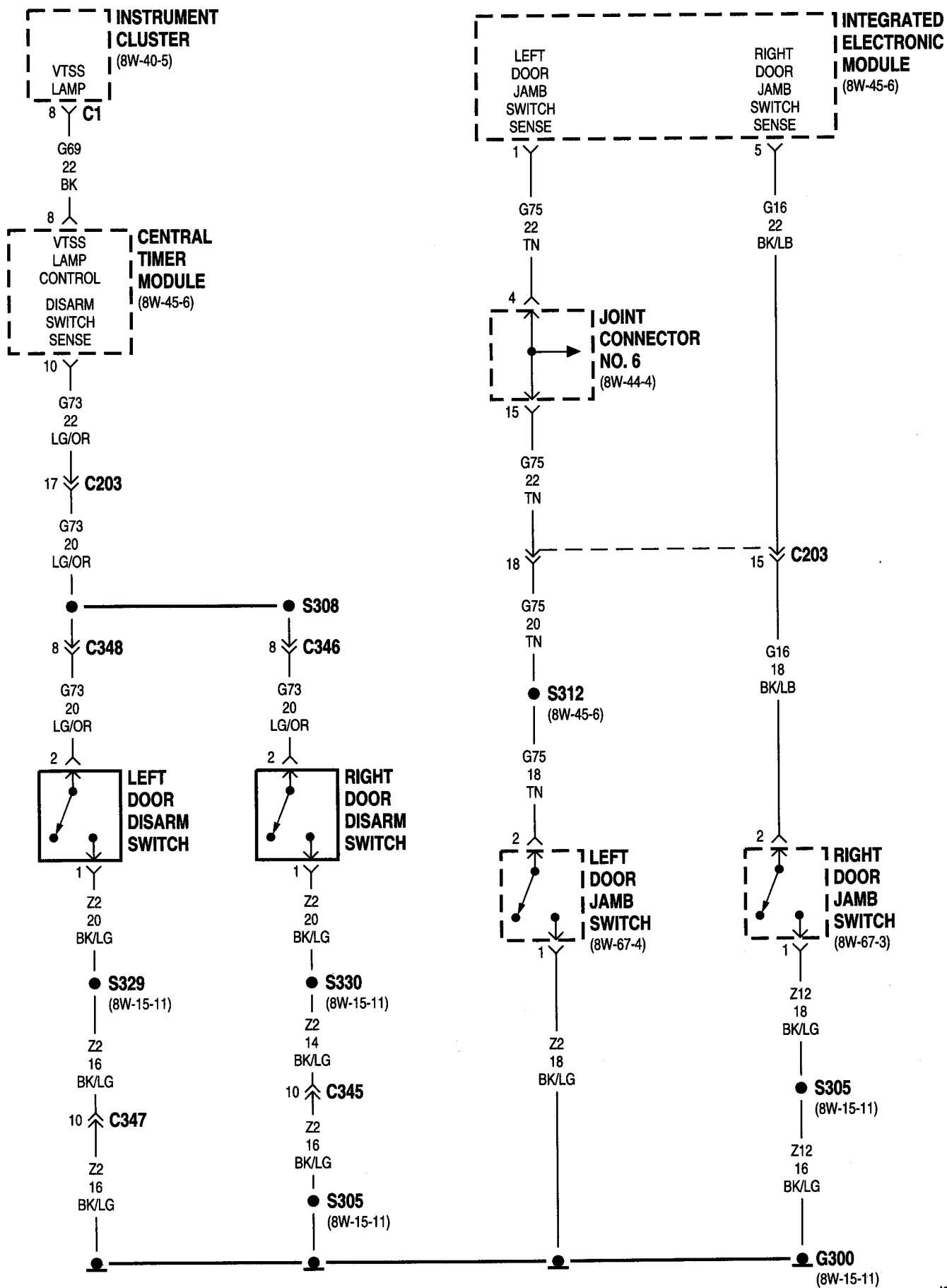


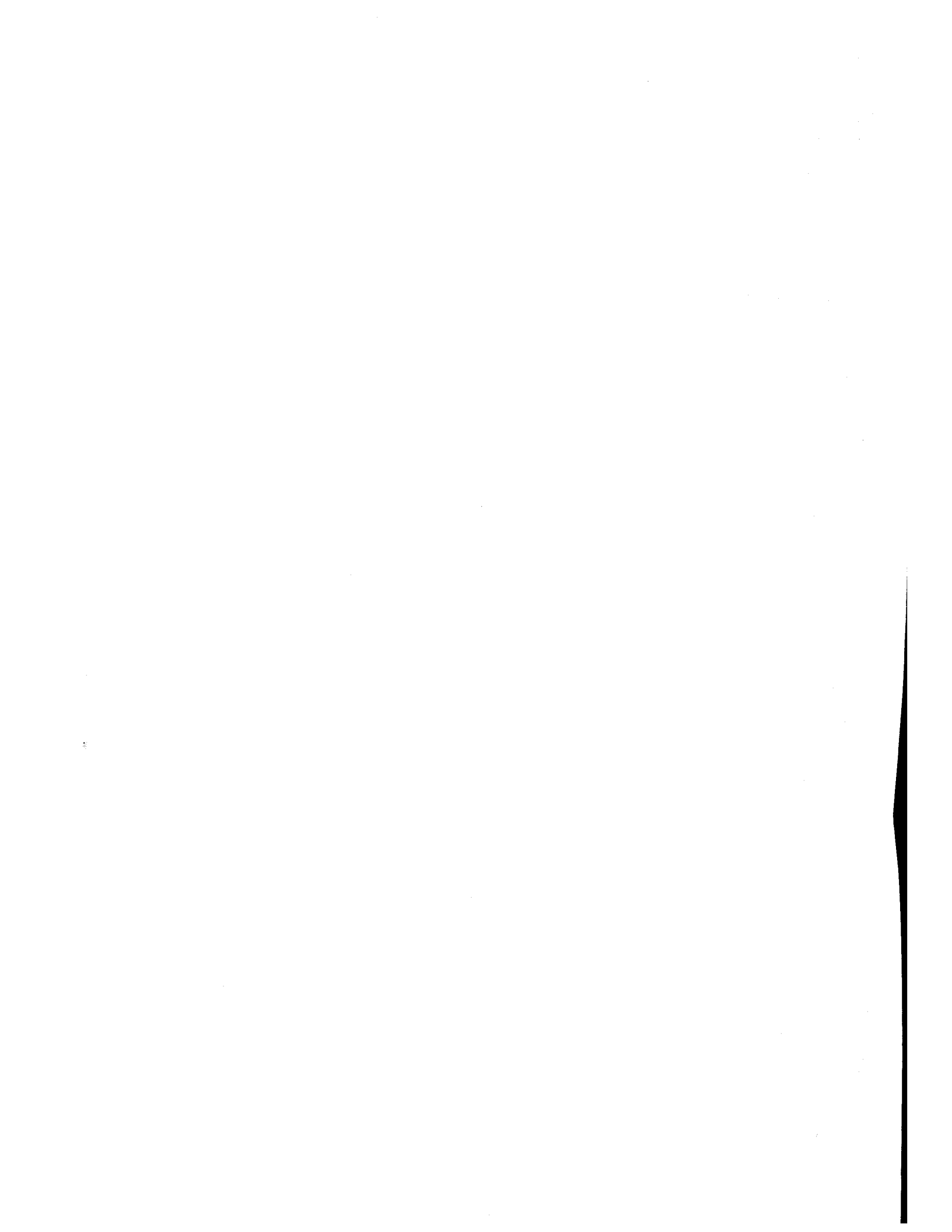


**8W-39 VEHICLE THEFT SECURITY SYSTEM**

<b>Component</b>	<b>Page</b>	<b>Component</b>	<b>Page</b>
Central Timer Module . . . . .	8W-39-2, 3	Joint Connector No. 6 . . . . .	8W-39-3
Fuse D (PDC) . . . . .	8W-39-2	Left Door Disarm Switch . . . . .	8W-39-3
Fuse H (PDC) . . . . .	8W-39-2	Left Door Jamb Switch . . . . .	8W-39-3
G300 . . . . .	8W-39-3	Left Headlamp . . . . .	8W-39-2
High Note Horn . . . . .	8W-39-2	Low Note Horn . . . . .	8W-39-2
Horn . . . . .	8W-39-2	Power Distribution Center . . . . .	8W-39-2
Instrument Cluster . . . . .	8W-39-3	Right Door Disarm Switch . . . . .	8W-39-3
Integrated Electronic Module . . . . .	8W-39-3	Right Door Jamb Switch . . . . .	8W-39-3
Joint Connector No. 1 . . . . .	8W-39-2	Right Headlamp . . . . .	8W-39-2

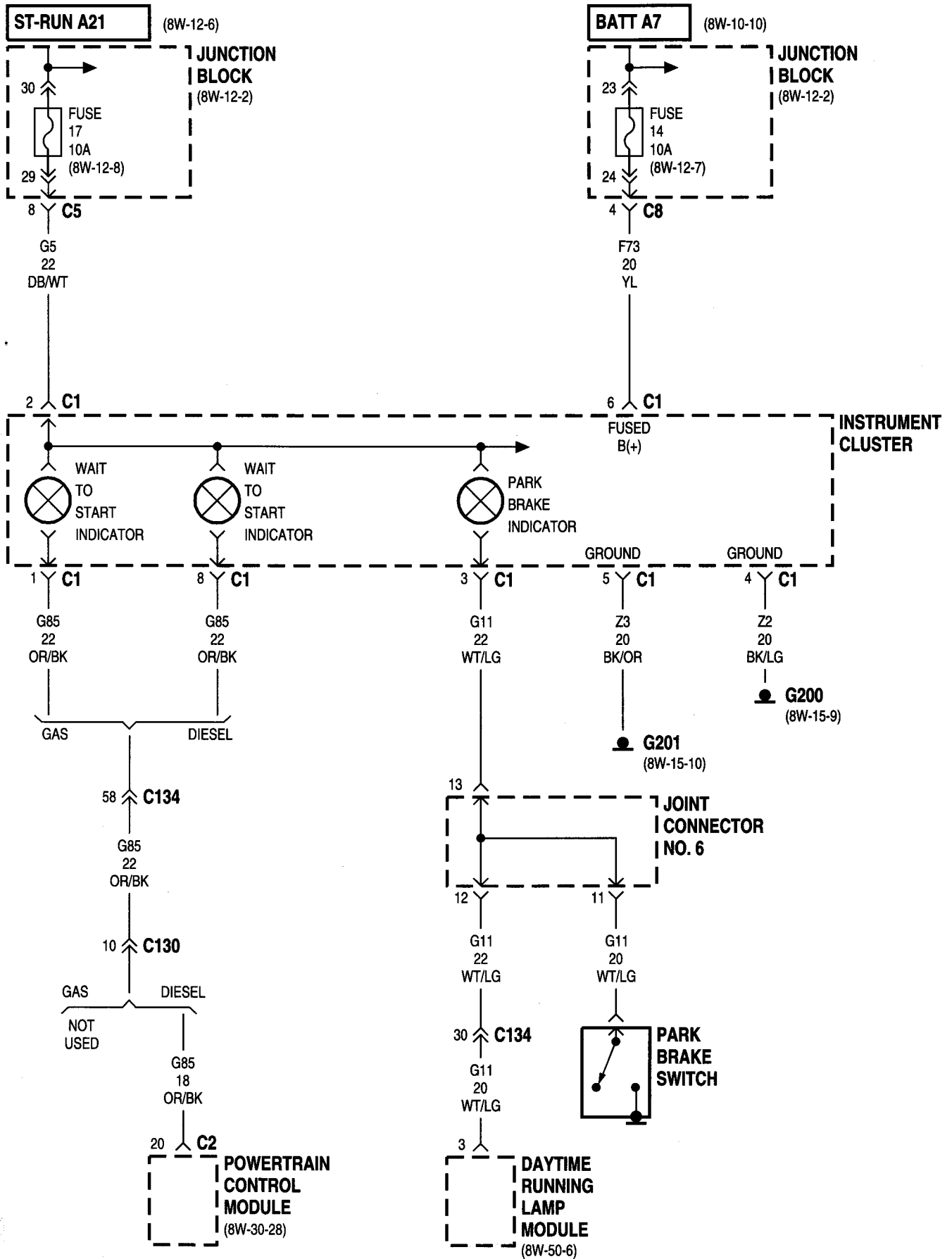




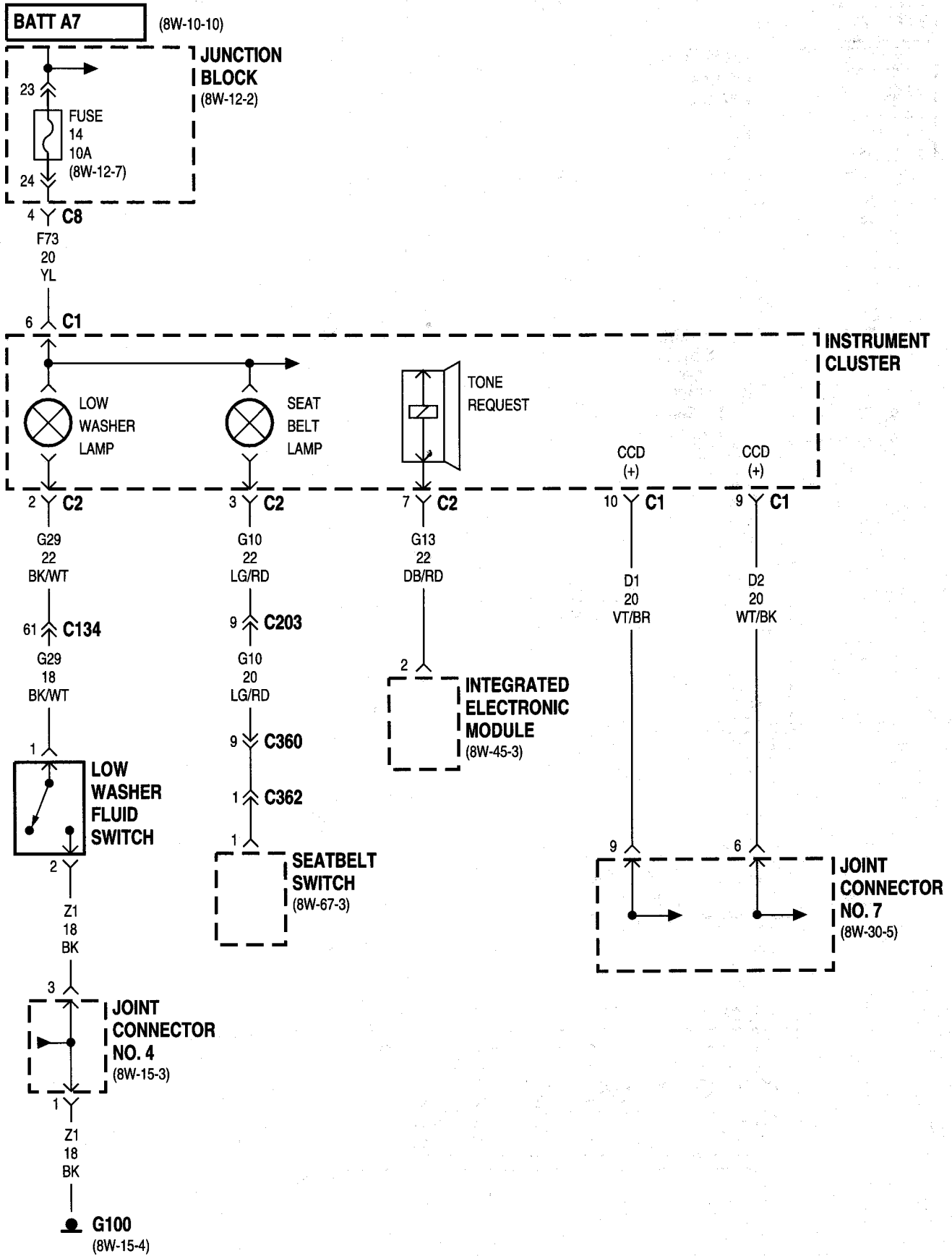


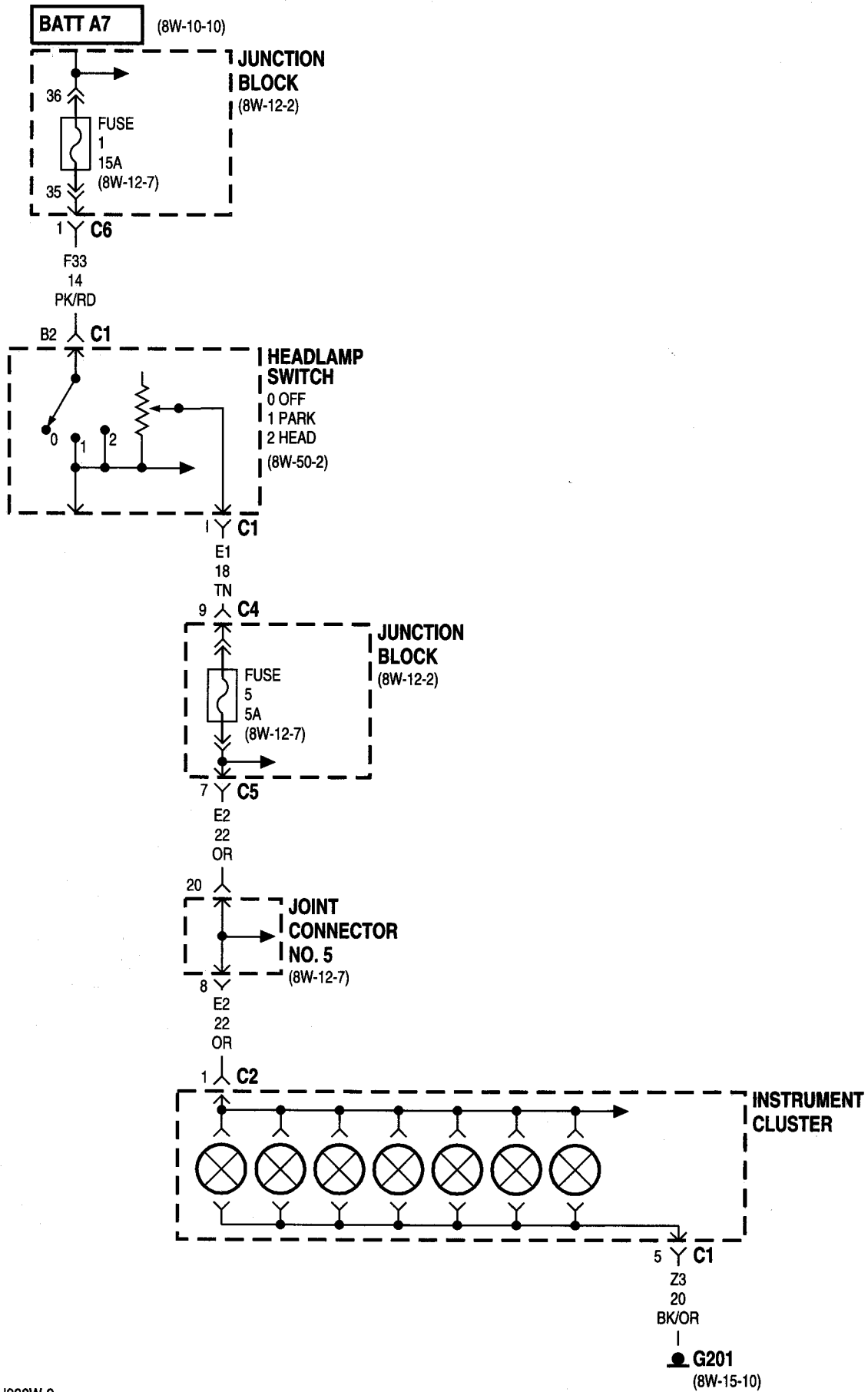
## 8W-40 INSTRUMENT CLUSTER

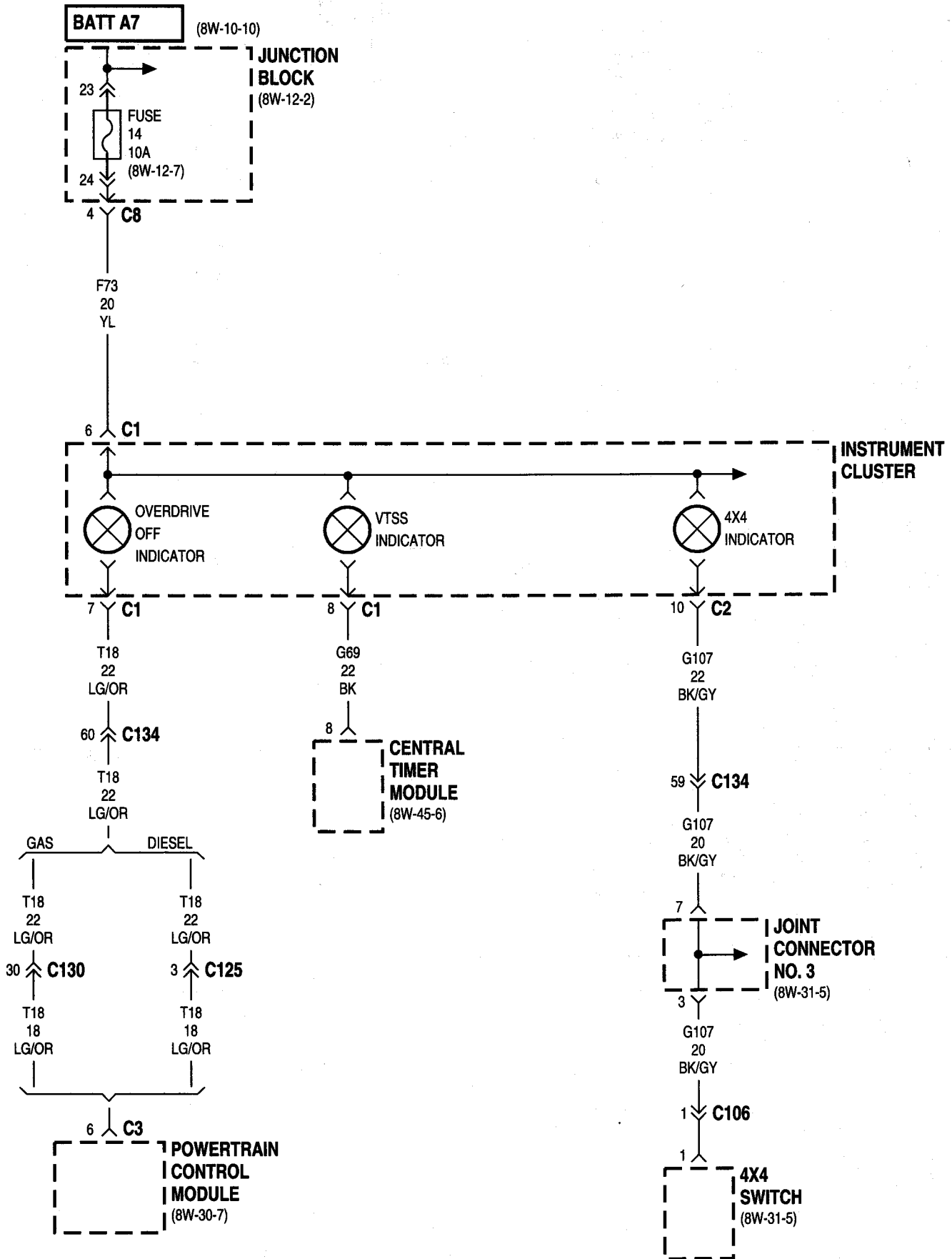
Component	Page	Component	Page
Central Timer Module . . . . .	.8W-40-5	Joint Connector No. 4 . . . . .	.8W-40-3
Daytime Running Lamp Module . . . . .	.8W-40-2, 6	Joint Connector No. 5 . . . . .	.8W-40-4
Fog Lamp Relay No. 2 . . . . .	.8W-40-6	Joint Connector No. 6 . . . . .	.8W-40-2
Fuse 1 (JB) . . . . .	.8W-40-4	Joint Connector No. 7 . . . . .	.8W-40-3
Fuse 5 (JB) . . . . .	.8W-40-4	Junction Block . . . . .	.8W-40-2, 3, 4, 5
Fuse 14 (JB) . . . . .	.8W-40-2, 3, 5	Left Turn Signal Indicator . . . . .	.8W-40-6
Fuse 17 (JB) . . . . .	.8W-40-2	Low Washer Fluid Switch . . . . .	.8W-40-3
G100 . . . . .	.8W-40-3	Overdrive Indicator . . . . .	.8W-40-5
G107 . . . . .	.8W-40-5	Park Brake Indicator . . . . .	.8W-40-2
G200 . . . . .	.8W-40-2	Park Brake Switch . . . . .	.8W-40-2
G201 . . . . .	.8W-40-2, 4, 6	Powertrain Control Module . . . . .	.8W-40-2, 5
Headlamp Dimmer Switch . . . . .	.8W-40-6	Right Turn Signal Indicator . . . . .	.8W-40-6
Headlamp Switch . . . . .	.8W-40-4	Seatbelt Switch . . . . .	.8W-40-3
High Beam Indicator . . . . .	.8W-40-6	Turn Signal/Hazard Switch . . . . .	.8W-40-6
Instrument Cluster . . . . .	.8W-40-2, 3, 4, 5, 6	Vtss Indicator . . . . .	.8W-40-5
Integrated Electronic Module . . . . .	.8W-40-3	Wait To Start Indicator . . . . .	.8W-40-2
Joint Connector No. 3 . . . . .	.8W-40-5		

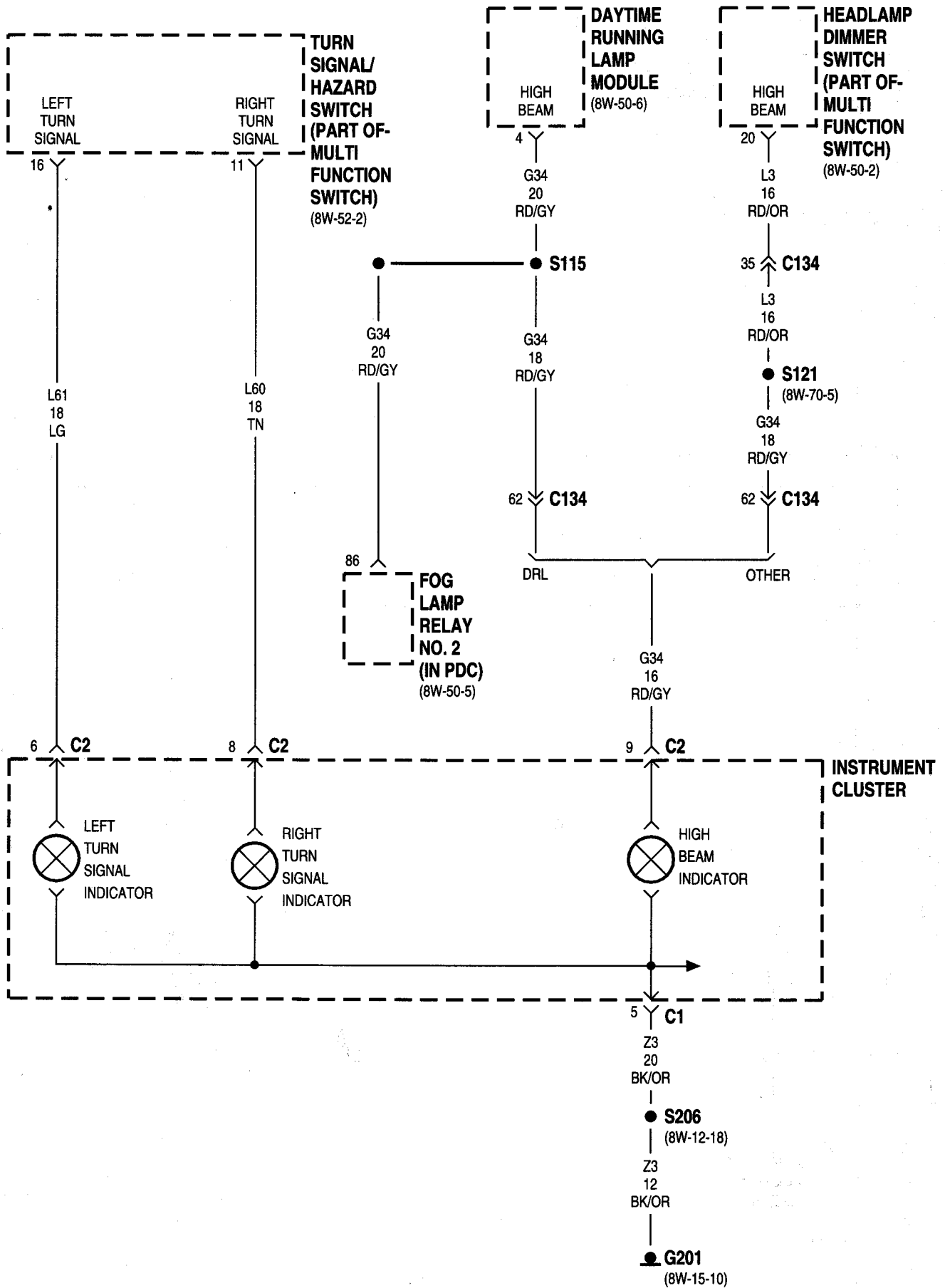






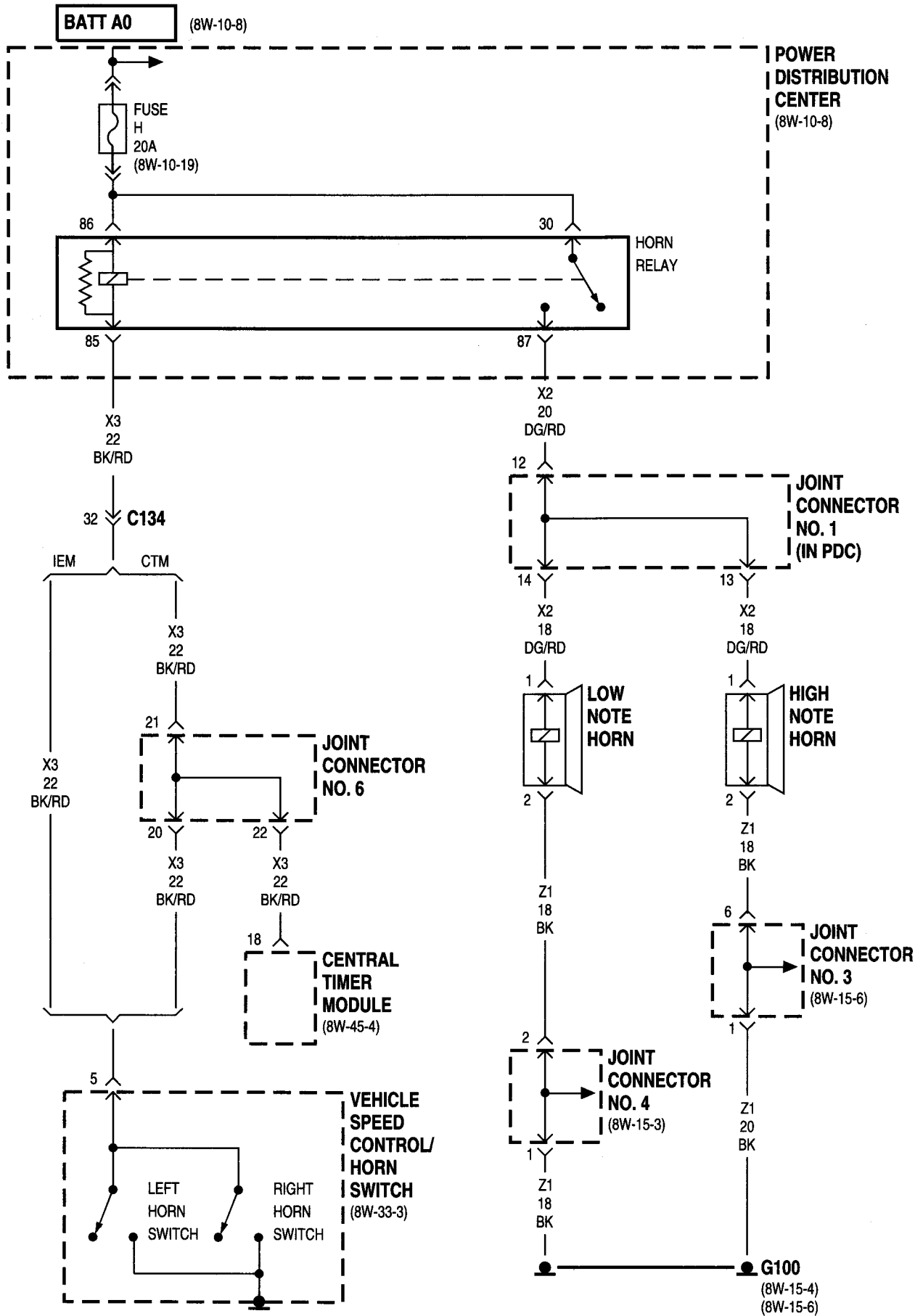


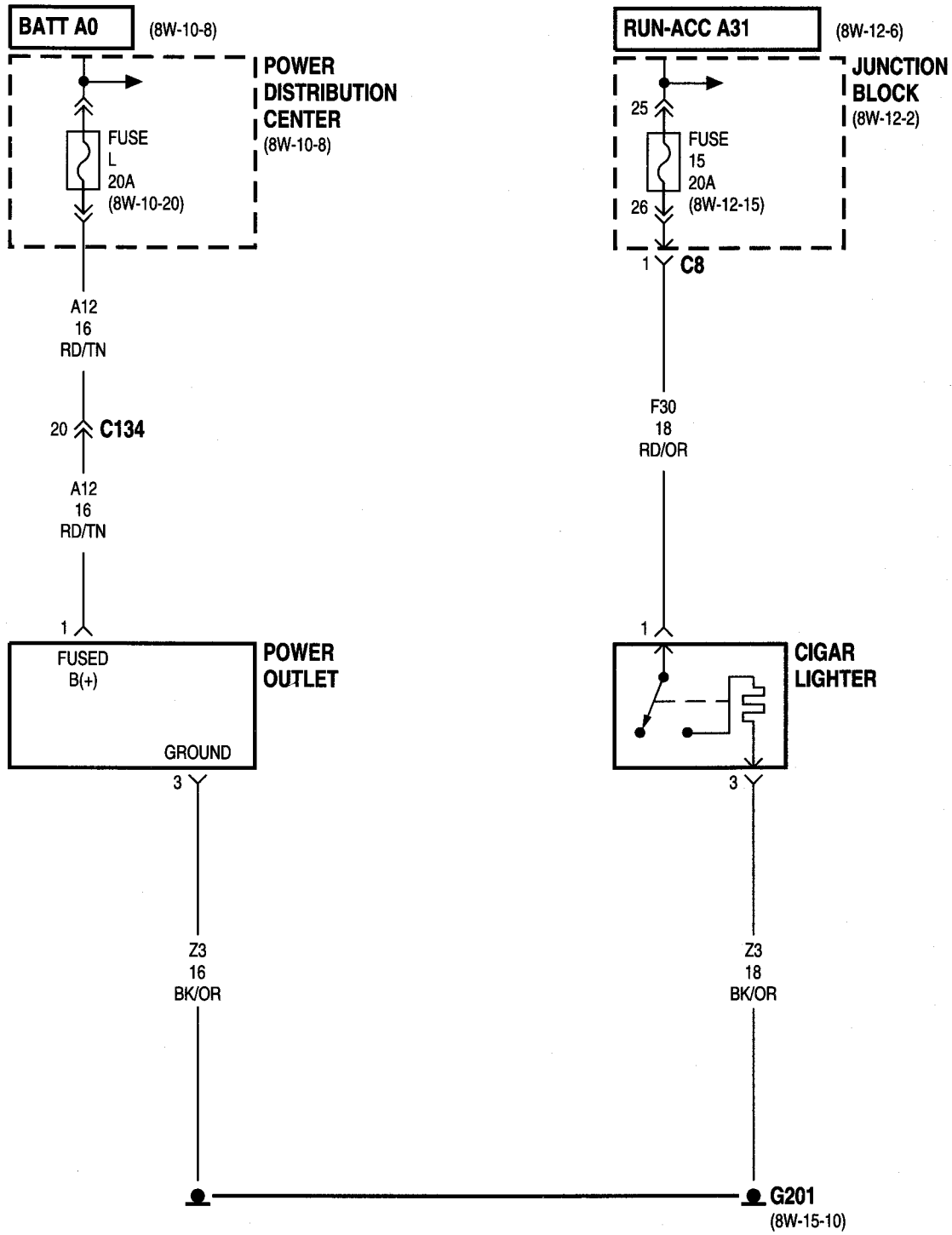


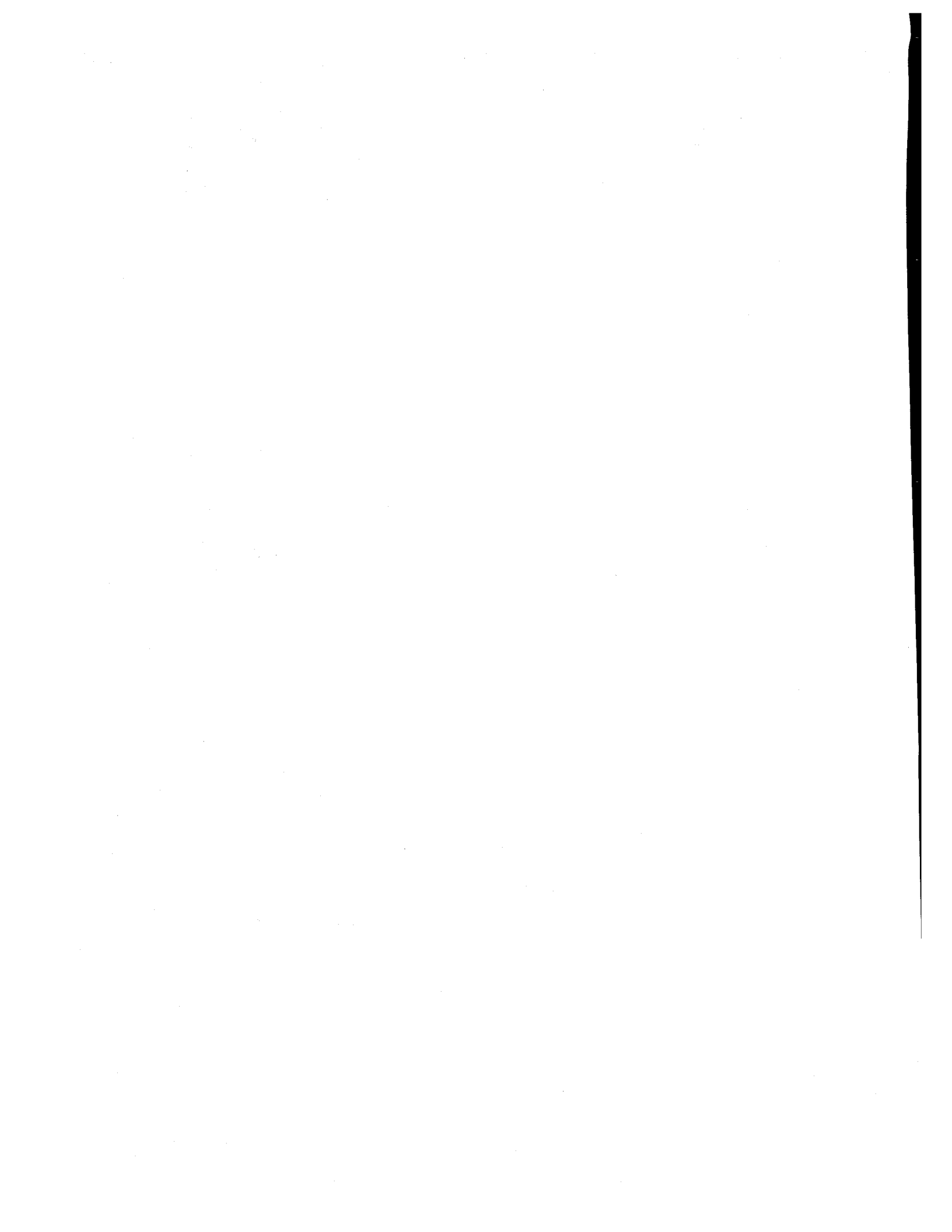


## 8W-41 HORN/CIGAR LIGHTER/POWER OUTLET

<b>Component</b>	<b>Page</b>	<b>Component</b>	<b>Page</b>
Central Timer Module.....	.8W-41-2	Joint Connector No. 3.....	.8W-41-2
Cigar Lighter.....	.8W-41-3	Joint Connector No. 4.....	.8W-41-2
Fuse 15 (JB).....	.8W-41-3	Joint Connector No. 6.....	.8W-41-2
Fuse H (PDC).....	.8W-41-2	Junction Block.....	.8W-41-3
Fuse L (PDC).....	.8W-41-3	Left Horn Switch.....	.8W-41-2
G100.....	.8W-41-2	Low Note Horn.....	.8W-41-2
G201.....	.8W-41-3	Power Distribution Center.....	.8W-41-2, 3
High Note Horn.....	.8W-41-2	Power Outlet.....	.8W-41-3
Horn Relay.....	.8W-41-2	Right Horn Switch.....	.8W-41-2
Joint Connector No. 1.....	.8W-41-2	Vehicle Speed Control/Horn Switch.....	.8W-41-2



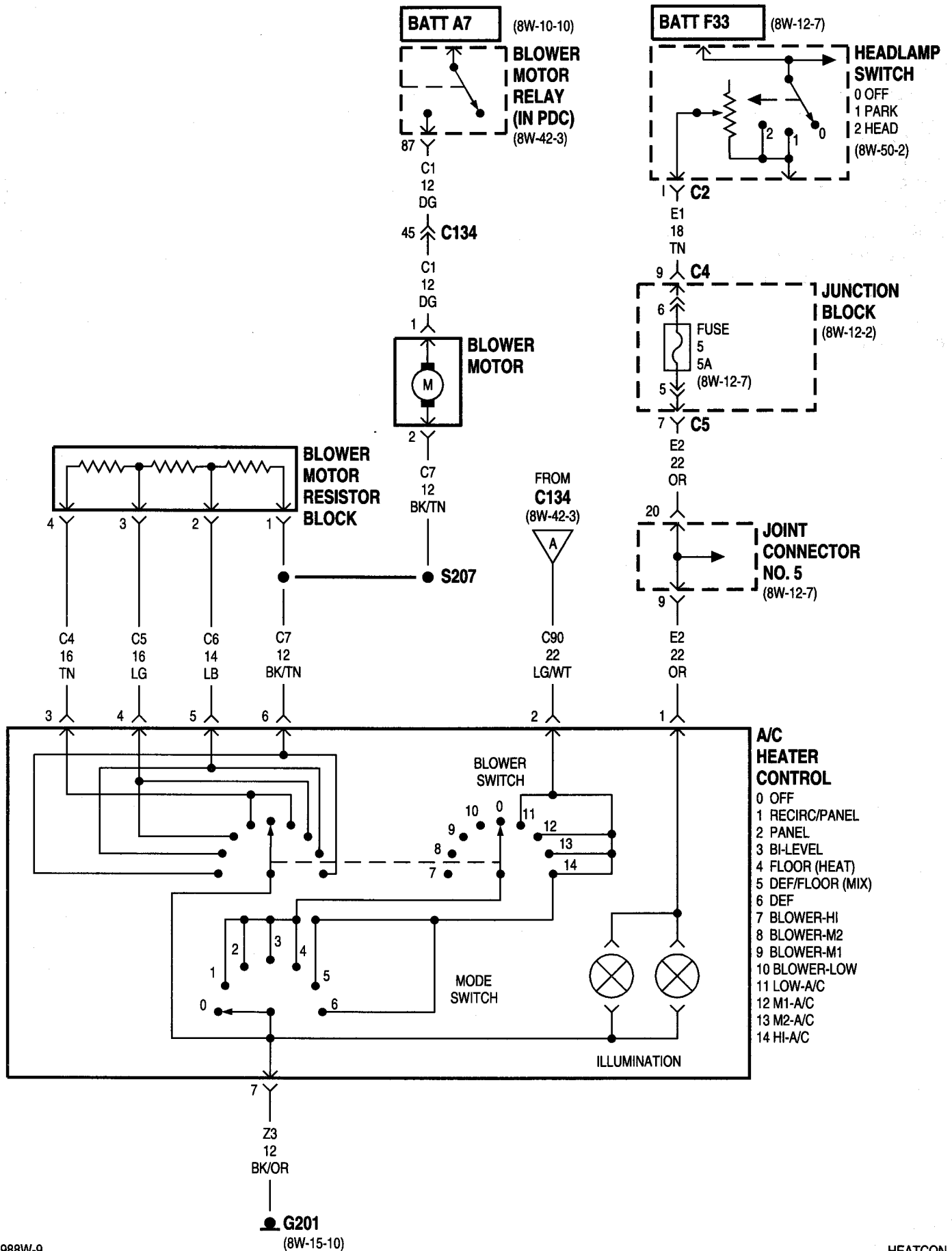


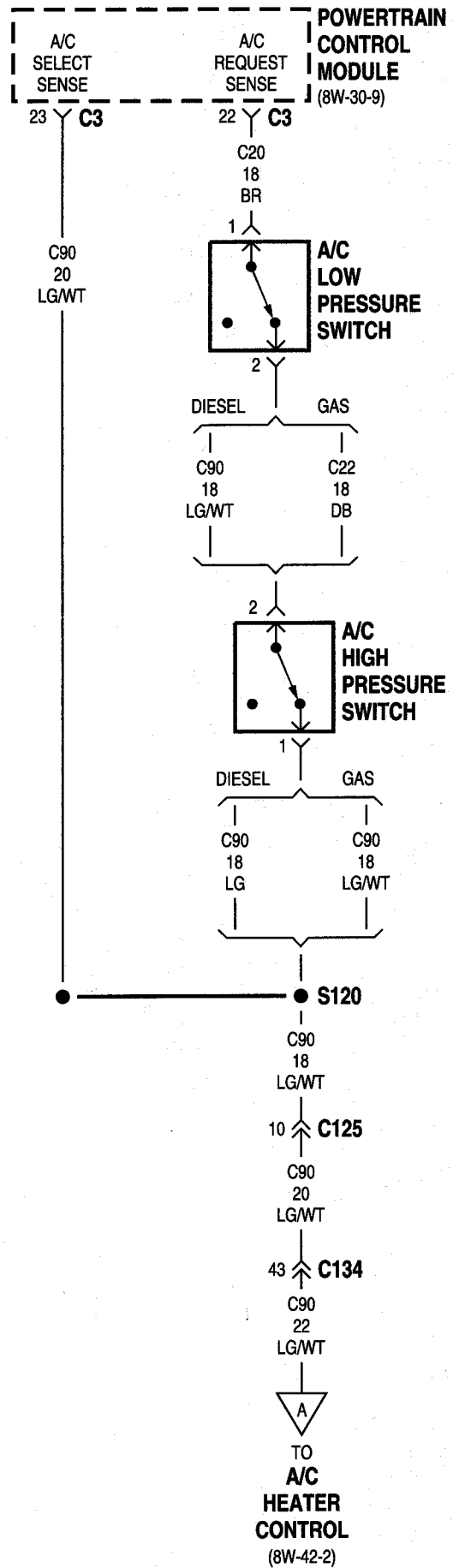
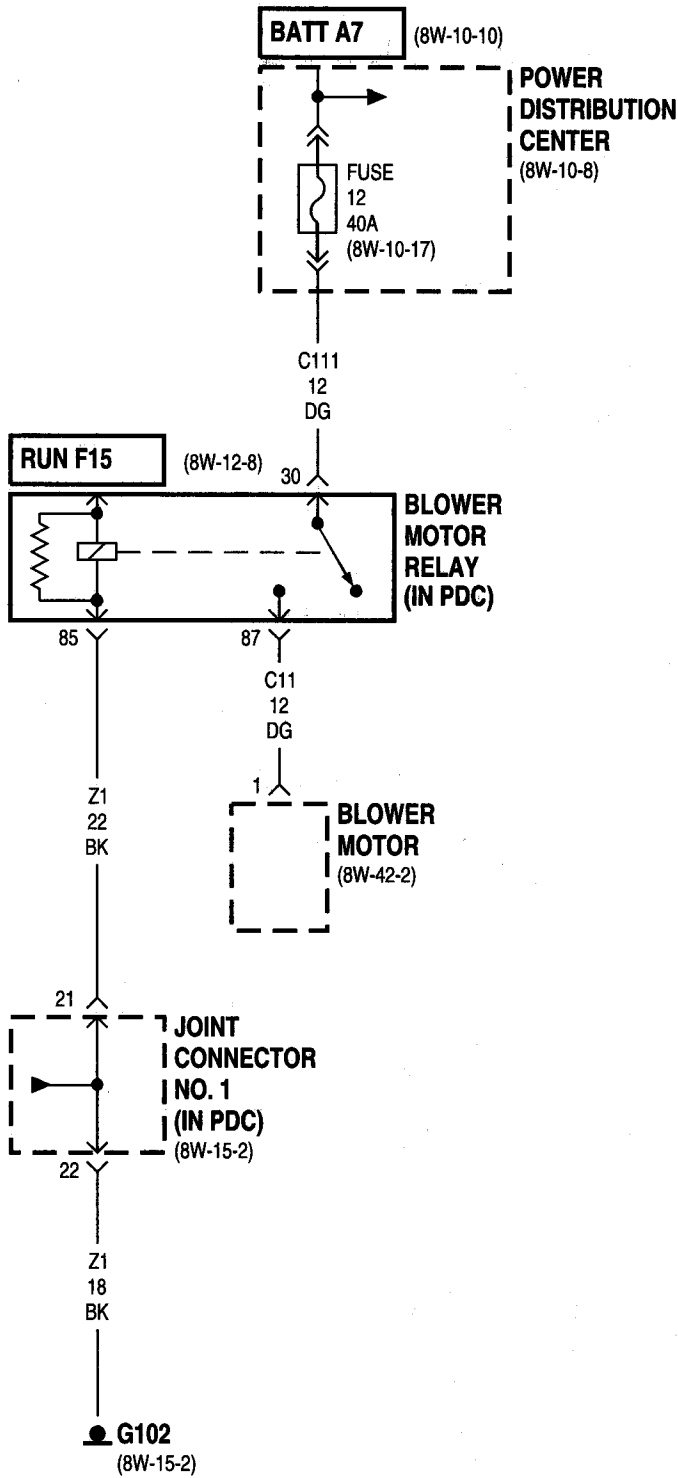


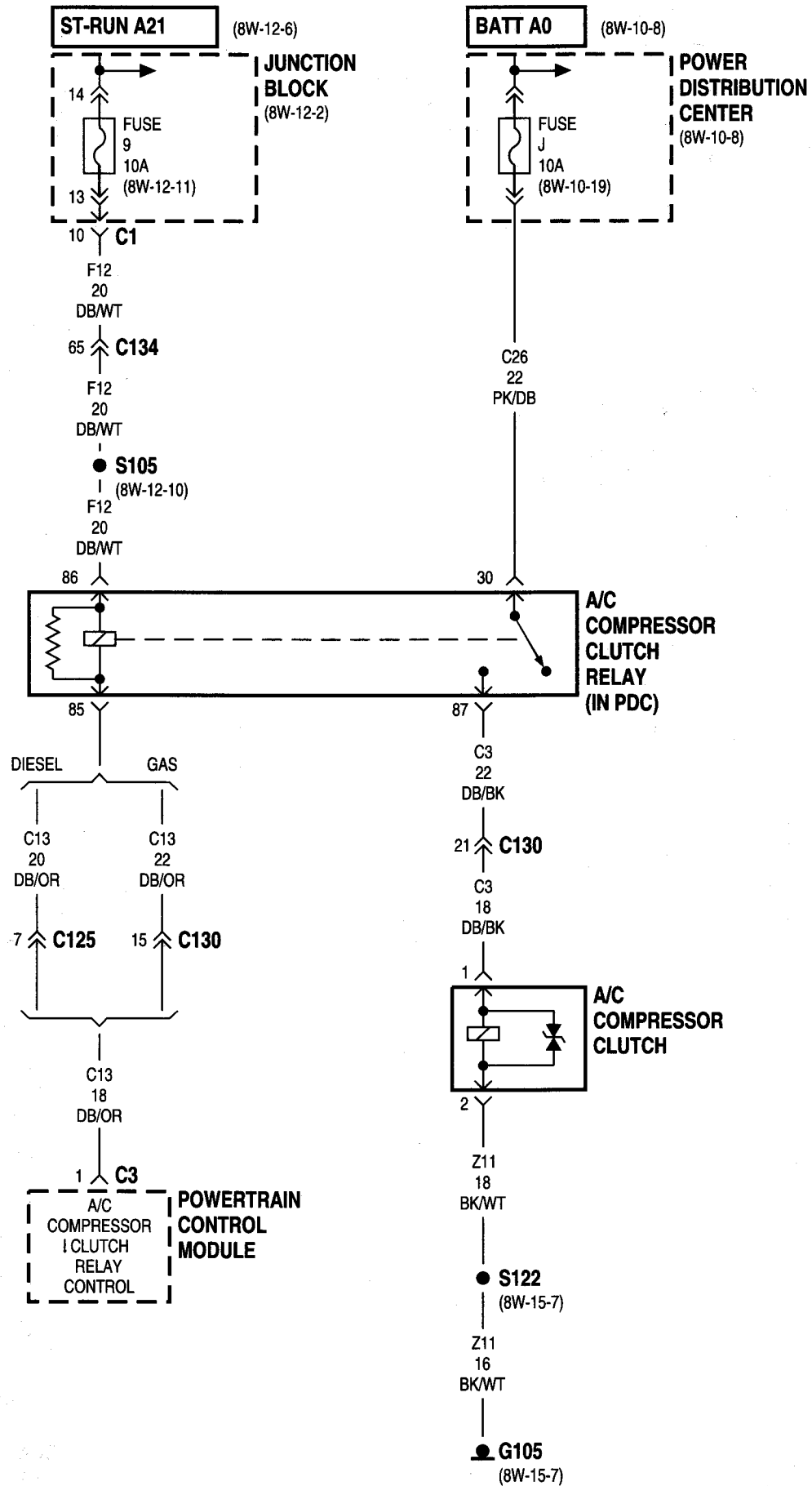


**8W-42 AIR CONDITIONING/HEATER**

<b>Component</b>	<b>Page</b>	<b>Component</b>	<b>Page</b>
A/C Compressor Clutch . . . . .	.8W-42-4	Fuse J (PDC) . . . . .	.8W-42-4
A/C Compressor Clutch Relay . . . . .	.8W-42-4	G102 . . . . .	.8W-42-3
A/C Heater Control . . . . .	.8W-42-2	G105 . . . . .	.8W-42-4
A/C High Pressure Switch . . . . .	.8W-42-3	G201 . . . . .	.8W-42-2
A/C Low Pressure Switch . . . . .	.8W-42-3	Headlamp Switch . . . . .	.8W-42-2
Blower Motor . . . . .	.8W-42-2, 3	Joint Connector No. 1 . . . . .	.8W-42-3
Blower Motor Relay . . . . .	.8W-42-2, 3	Joint Connector No. 5 . . . . .	.8W-42-2
Blower Motor Resistor Block . . . . .	.8W-42-2	Junction Block . . . . .	.8W-42-2, 4
Fuse 5 (JB) . . . . .	.8W-42-2	Power Distribution Center . . . . .	.8W-42-3, 4
Fuse 9 (JB) . . . . .	.8W-42-4	Powertrain Control Module . . . . .	.8W-42-3, 4
Fuse 12 (PDC) . . . . .	.8W-42-3		

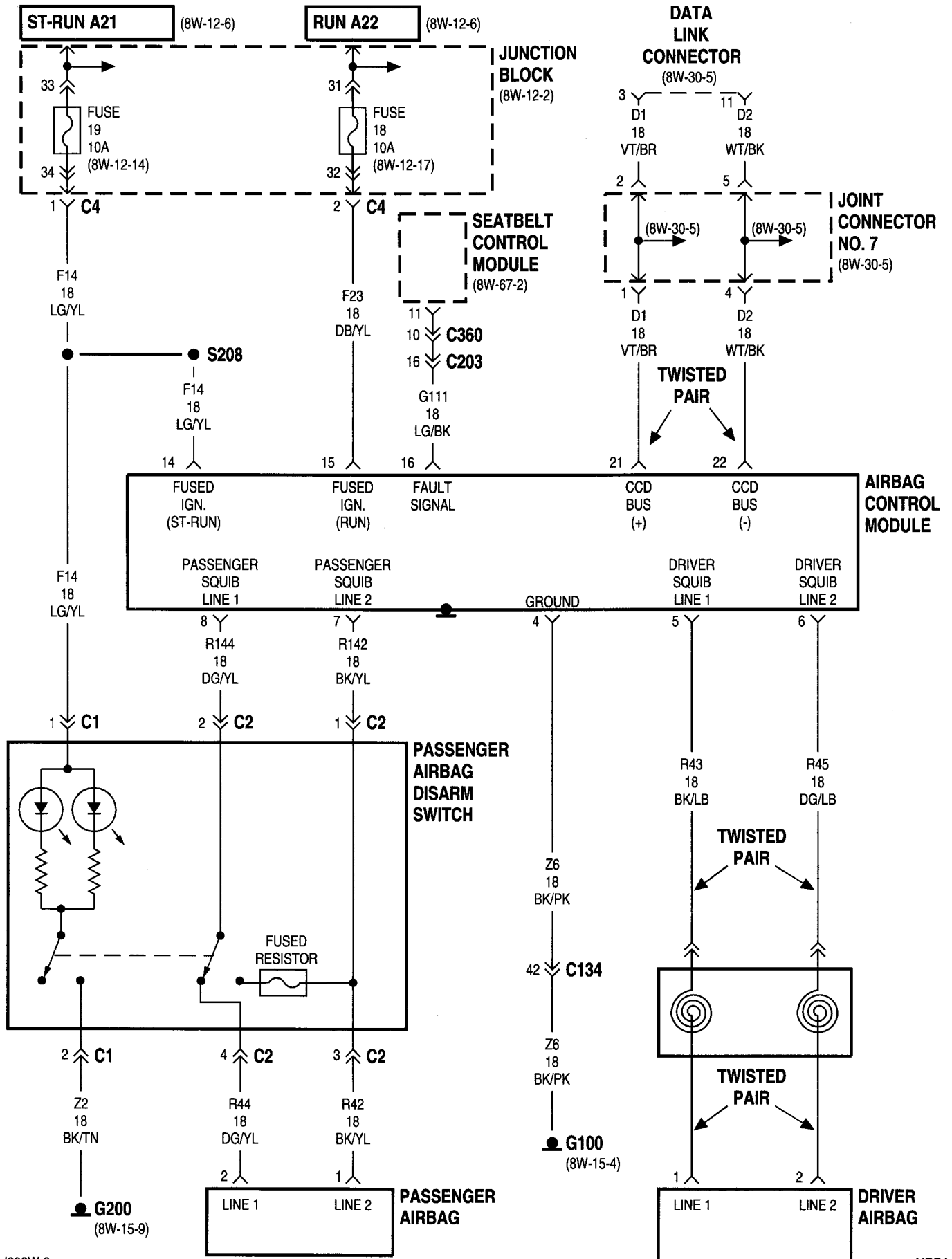






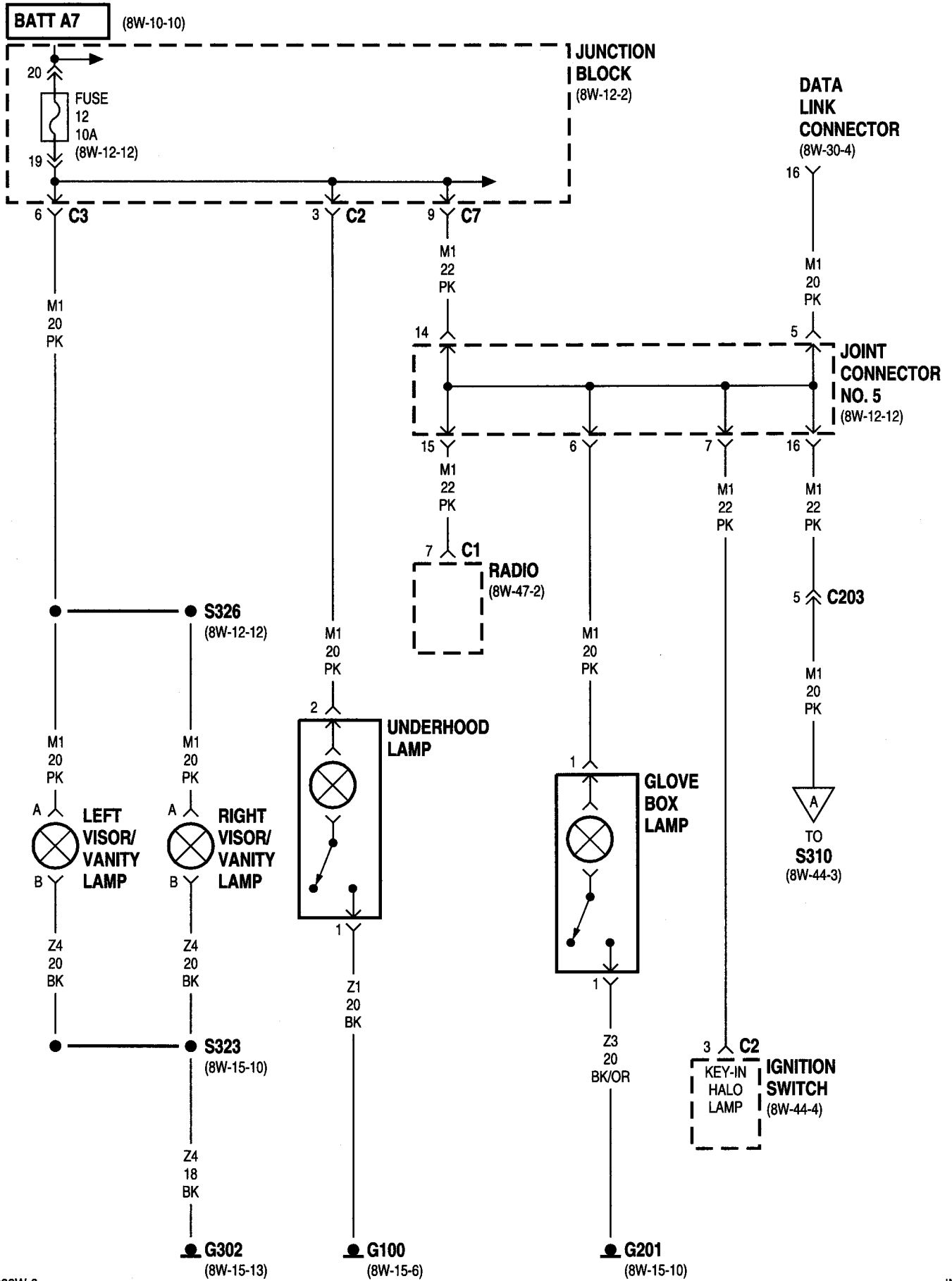
## 8W-43 AIRBAG SYSTEM

<b>Component</b>	<b>Page</b>	<b>Component</b>	<b>Page</b>
Airbag Control Module .....	.8W-43-2	G200 .....	.8W-43-2
Data Link Connector .....	.8W-43-2	Joint Connector No. 7 .....	.8W-43-2
Driver Airbag .....	.8W-43-2	Junction Block .....	.8W-43-2
Fuse 18 (JB) .....	.8W-43-2	Passenger Airbag .....	.8W-43-2
Fuse 19 (JB) .....	.8W-43-2	Passenger Airbag Disarm Switch .....	.8W-43-2
G100 .....	.8W-43-2	Seatbelt Control Module .....	.8W-43-2

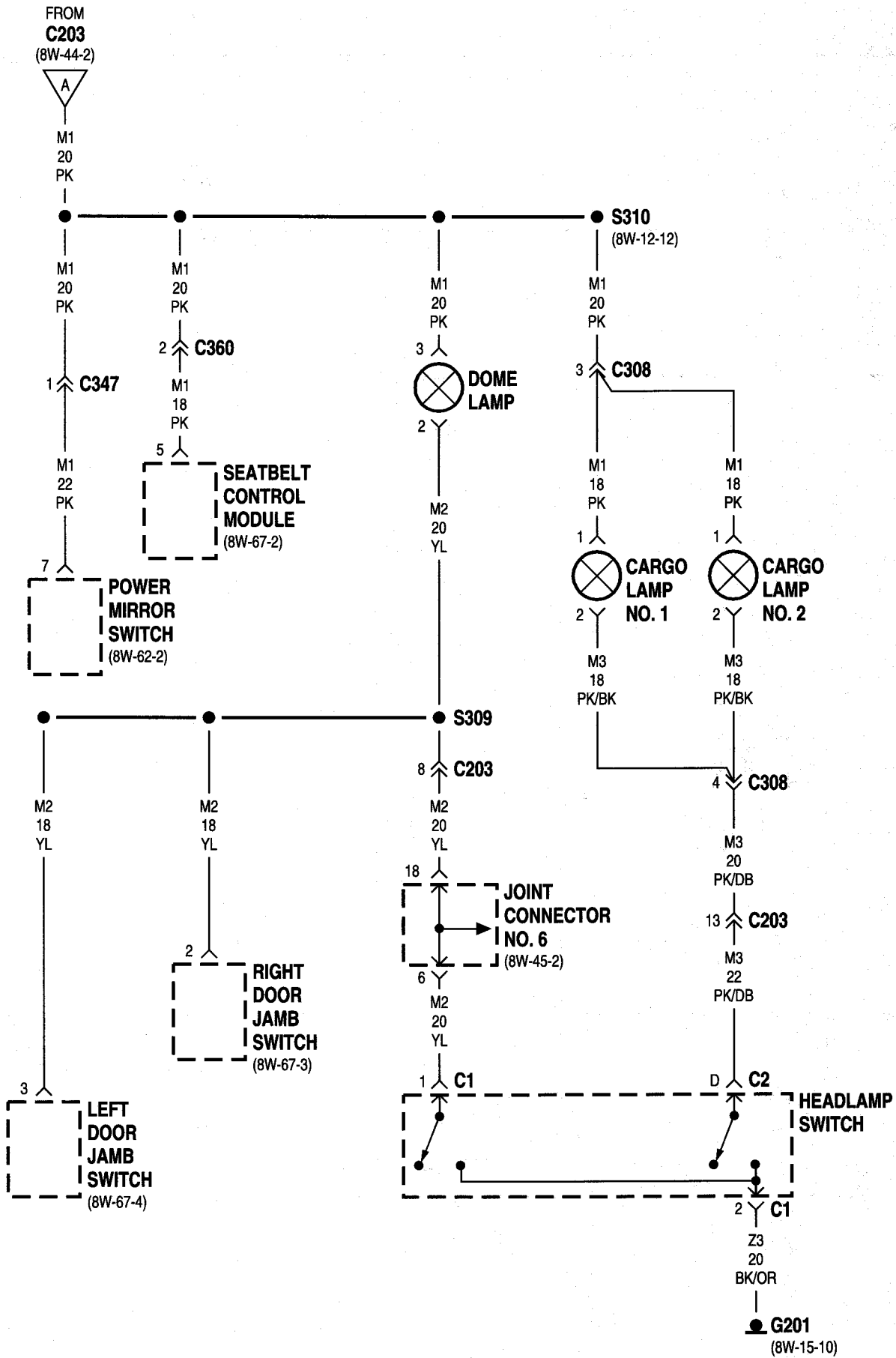


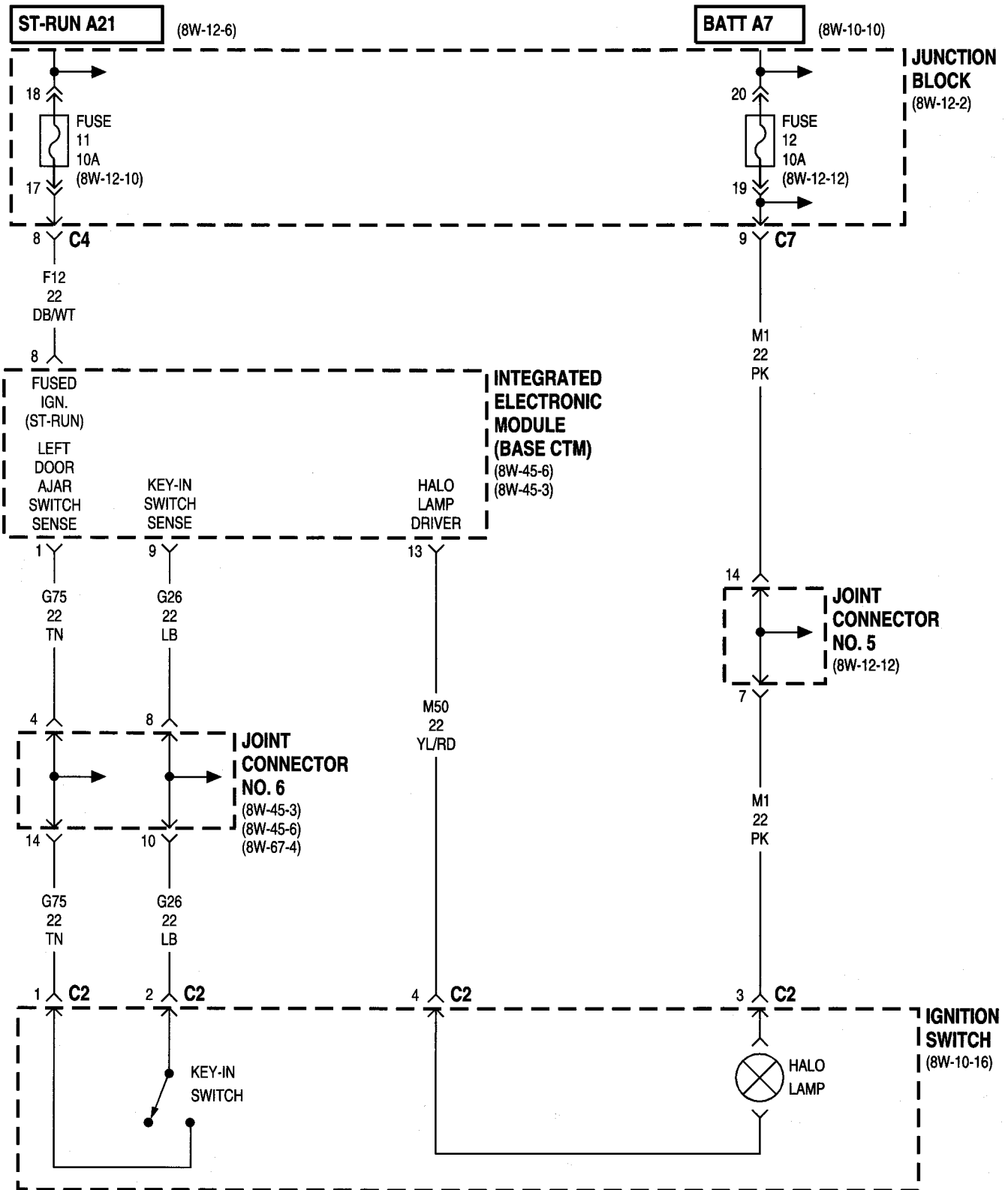
## 8W-44 INTERIOR LIGHTING

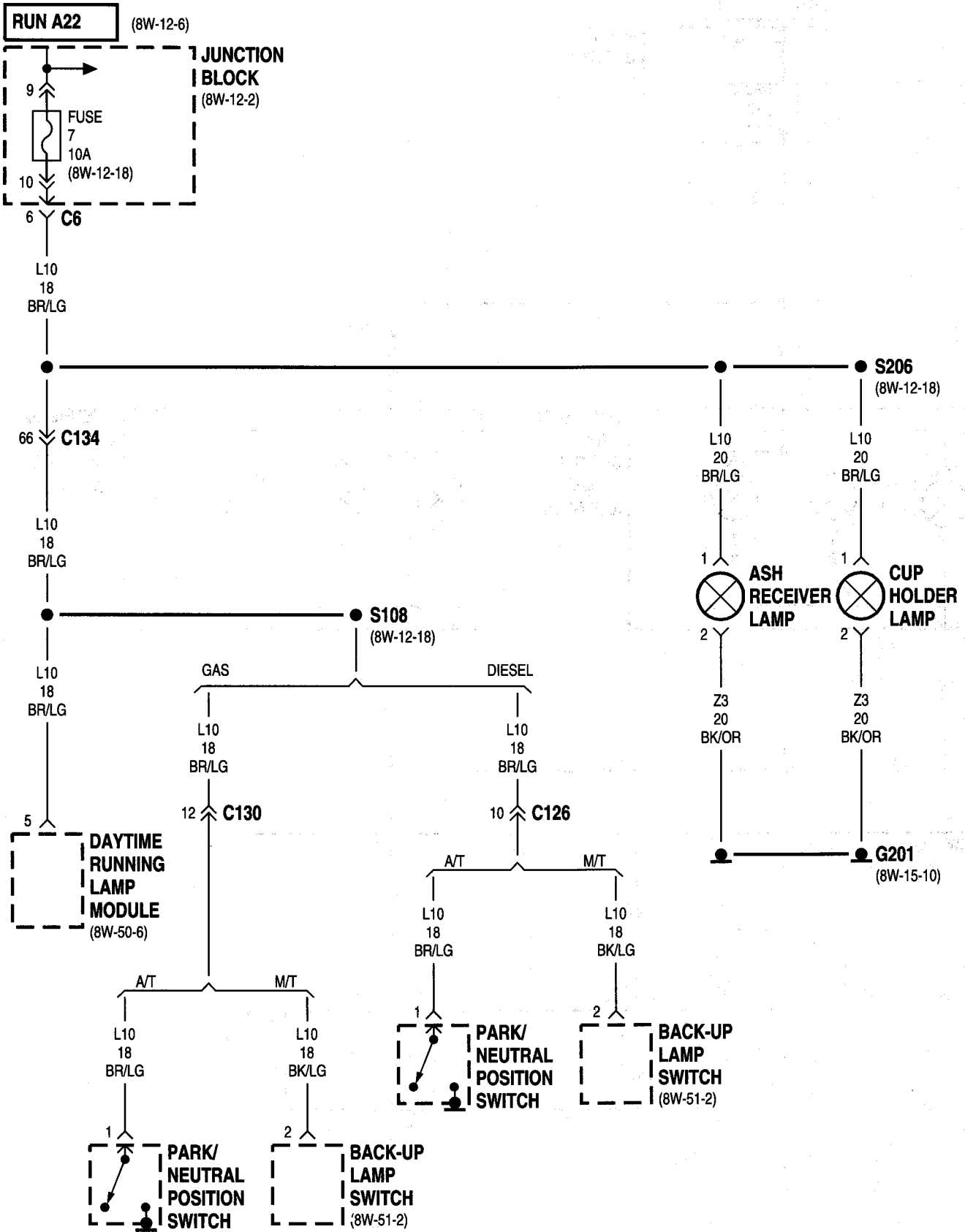
<b>Component</b>	<b>Page</b>	<b>Component</b>	<b>Page</b>
Ash Receiver Lamp . . . . .	8W-44-5	Joint Connector No. 5 . . . . .	8W-44-2, 4
Back-Up Lamp Switch . . . . .	8W-44-5	Joint Connector No. 6 . . . . .	8W-44-3, 4
Cargo Lamp No. 1 . . . . .	8W-44-3	Junction Block . . . . .	8W-44-2, 4, 5, 6, 7
Cargo Lamp No. 2 . . . . .	8W-44-3	Key-In Halo Lamp . . . . .	8W-44-4
Cup Holder Lamp . . . . .	8W-44-5	Key-In Switch . . . . .	8W-44-4
Data Link Connector . . . . .	8W-44-2	Left Door Jamb Switch . . . . .	8W-44-3
Daytime Running Lamp Module . . . . .	8W-44-5	Left Visor/Vanity Lamp . . . . .	8W-44-2, 7
Dome Lamp . . . . .	8W-44-3, 6	Map Lamps . . . . .	8W-44-6
Fuse 7 (JB) . . . . .	8W-44-5	Overhead Console . . . . .	8W-44-6, 7
Fuse 11 (JB) . . . . .	8W-44-4	Overhead Map/Courtesy Lamps . . . . .	8W-44-6
Fuse 12 (JB) . . . . .	8W-44-2, 4, 6	Park/Neutral Position Switch . . . . .	8W-44-5
G100 . . . . .	8W-44-2	Power Mirror Switch . . . . .	8W-44-3
G201 . . . . .	8W-44-2, 3, 5, 6, 7	Radio . . . . .	8W-44-2
G302 . . . . .	8W-44-2	Reading Lamps . . . . .	8W-44-6
Glove Box Lamp . . . . .	8W-44-2	Right Door Jamb Switch . . . . .	8W-44-3
Headlamp Switch . . . . .	8W-44-3	Right Visor/Vanity Lamp . . . . .	8W-44-2, 7
Ignition Switch . . . . .	8W-44-2, 4	Seatbelt Control Module . . . . .	8W-44-3
Integrated Electronic Module . . . . .	8W-44-4	Underhood Lamp . . . . .	8W-44-2

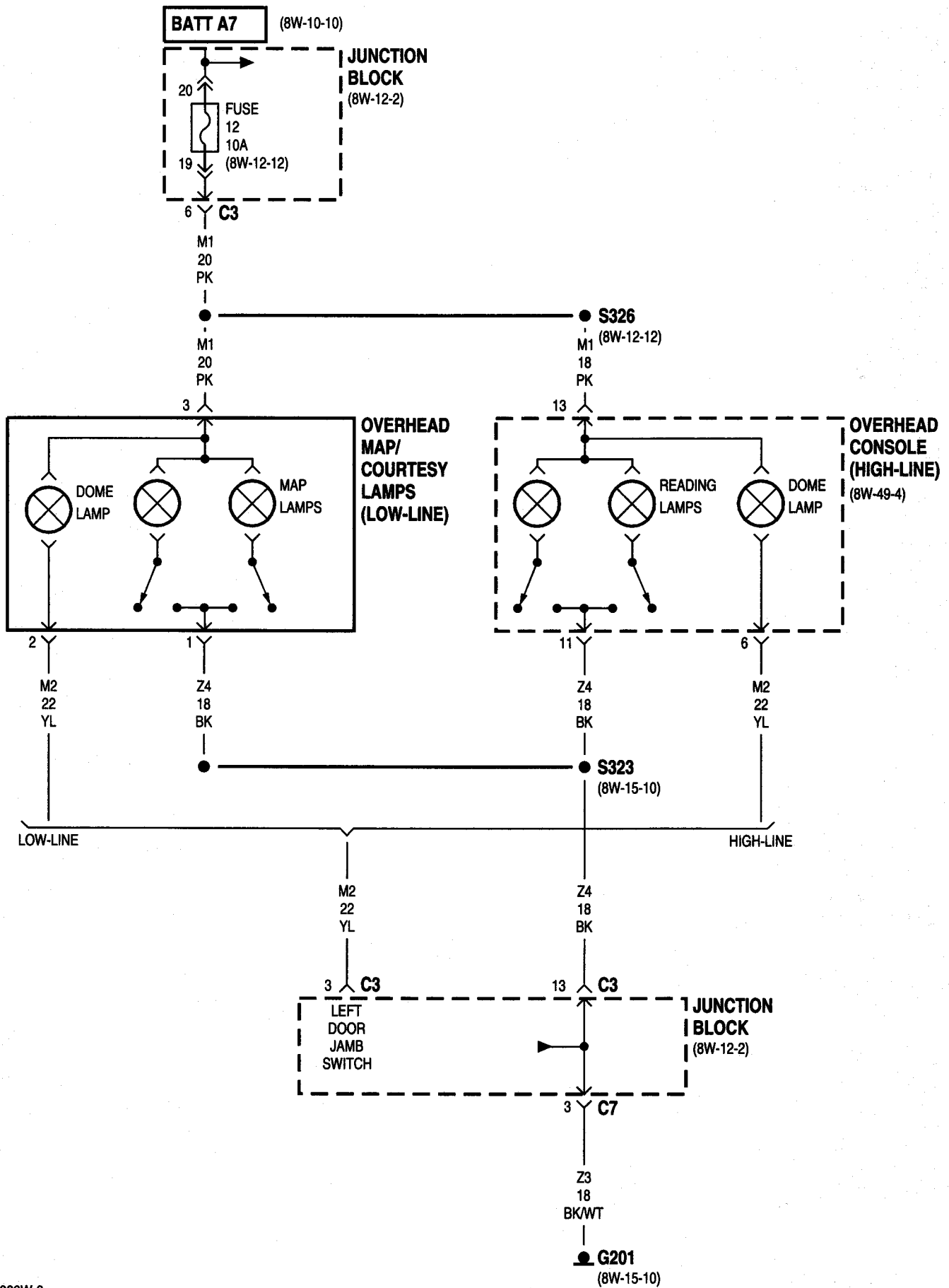


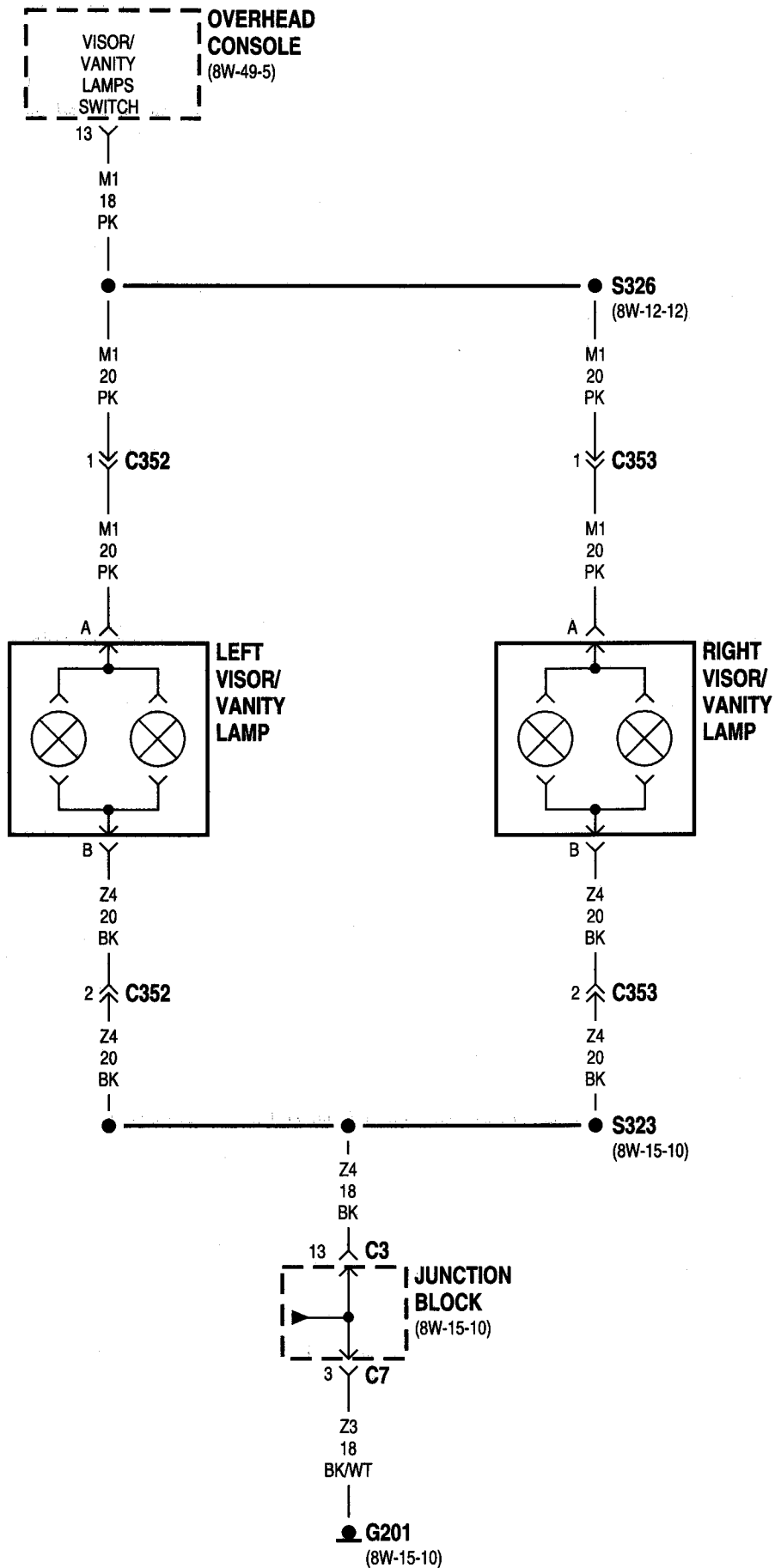


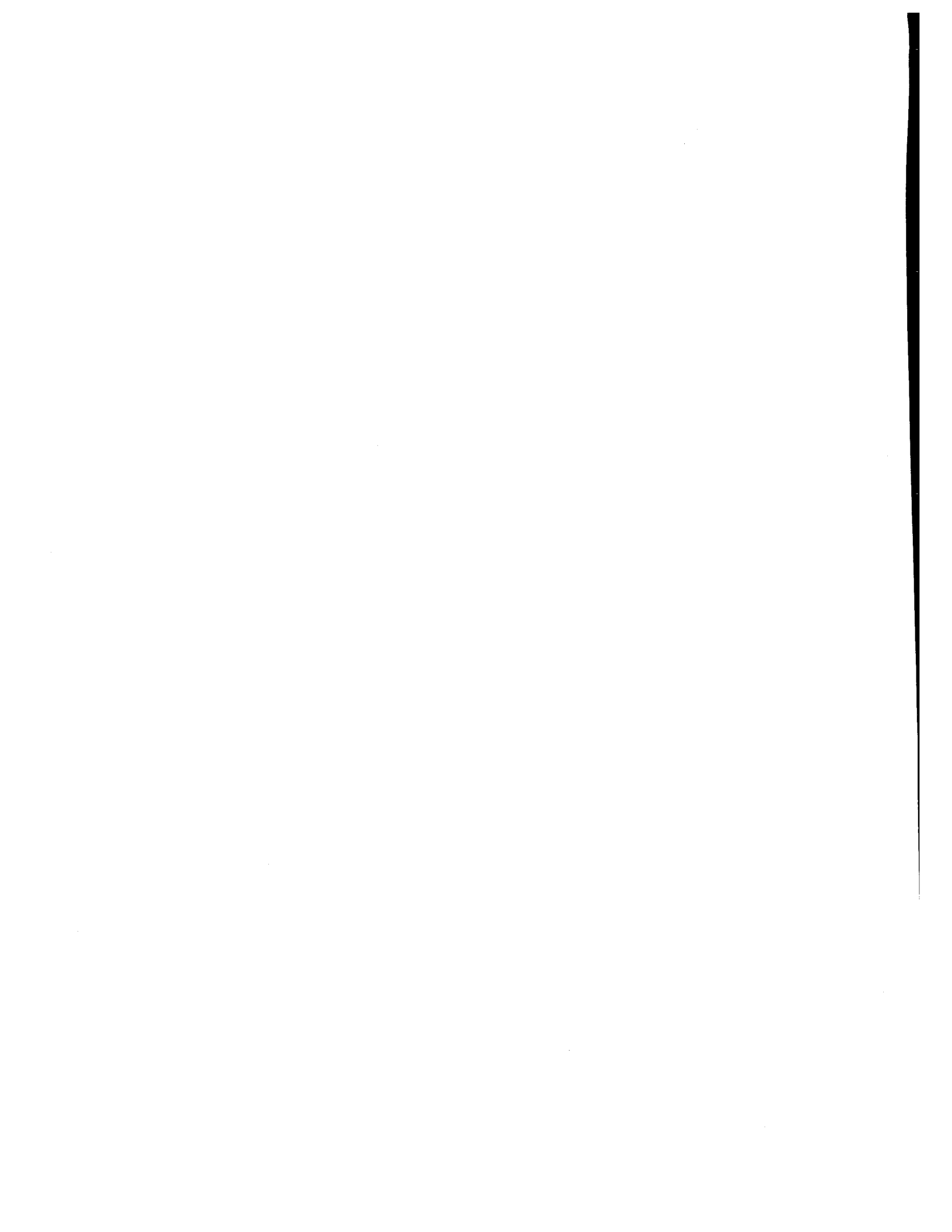






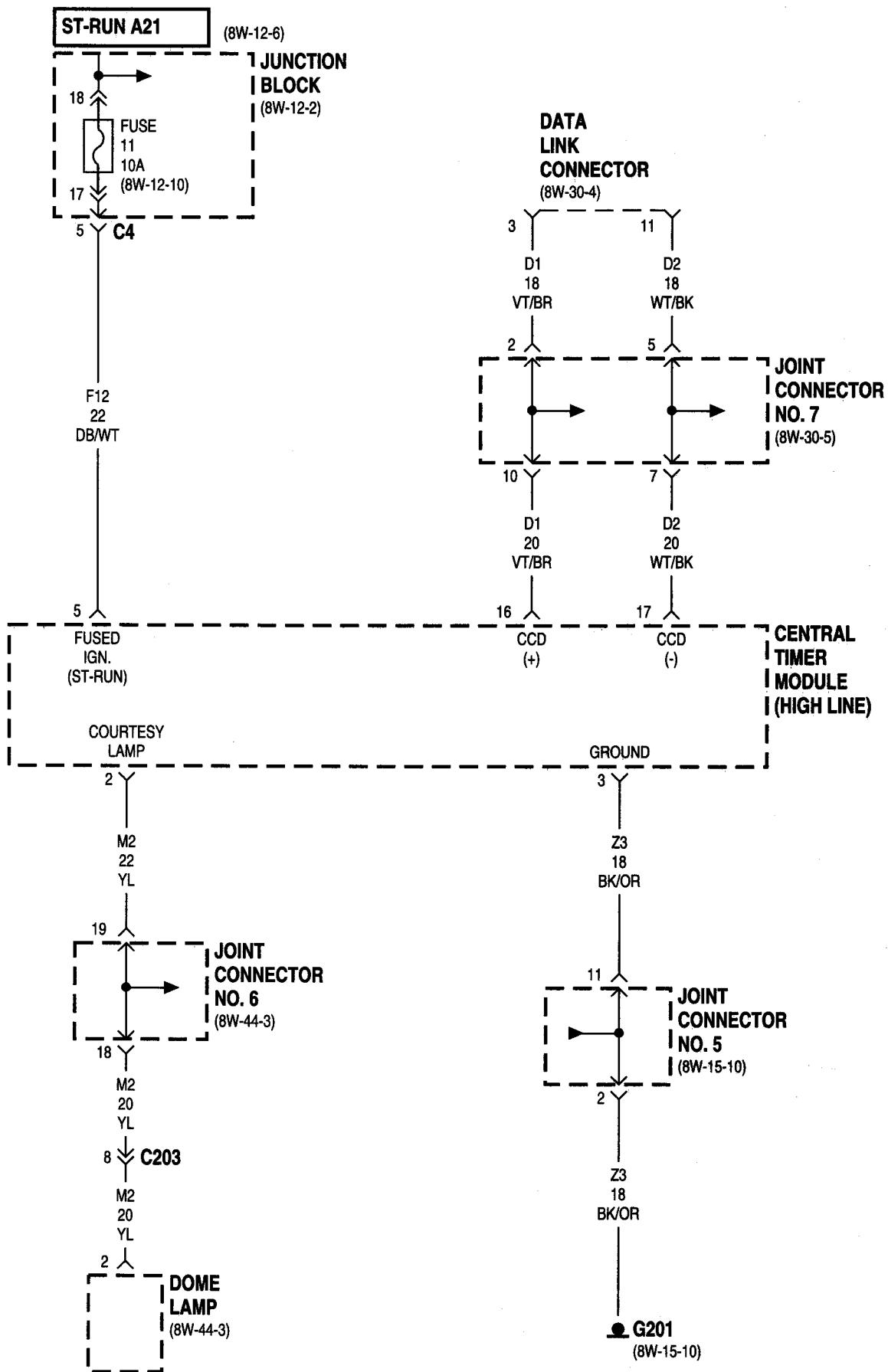




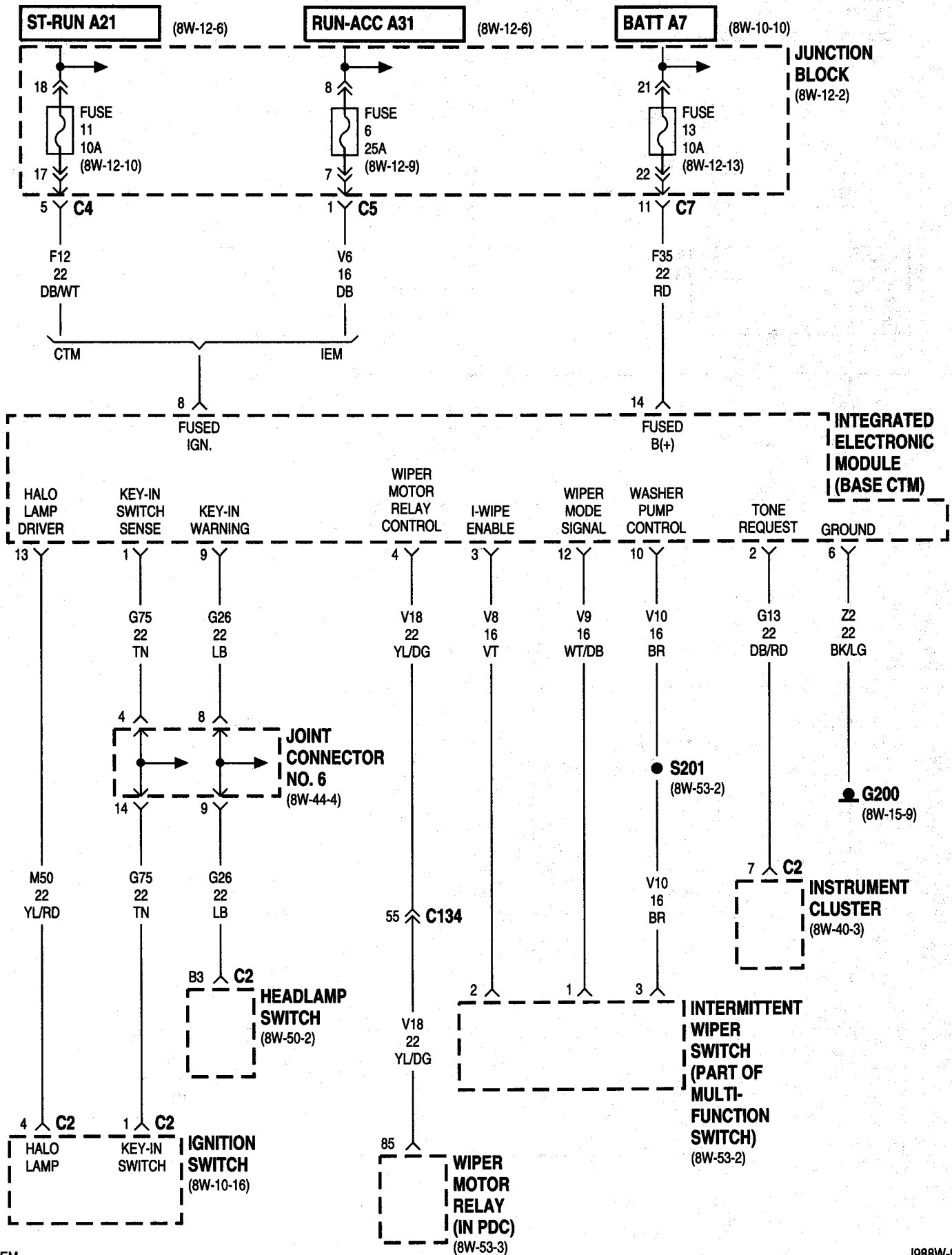


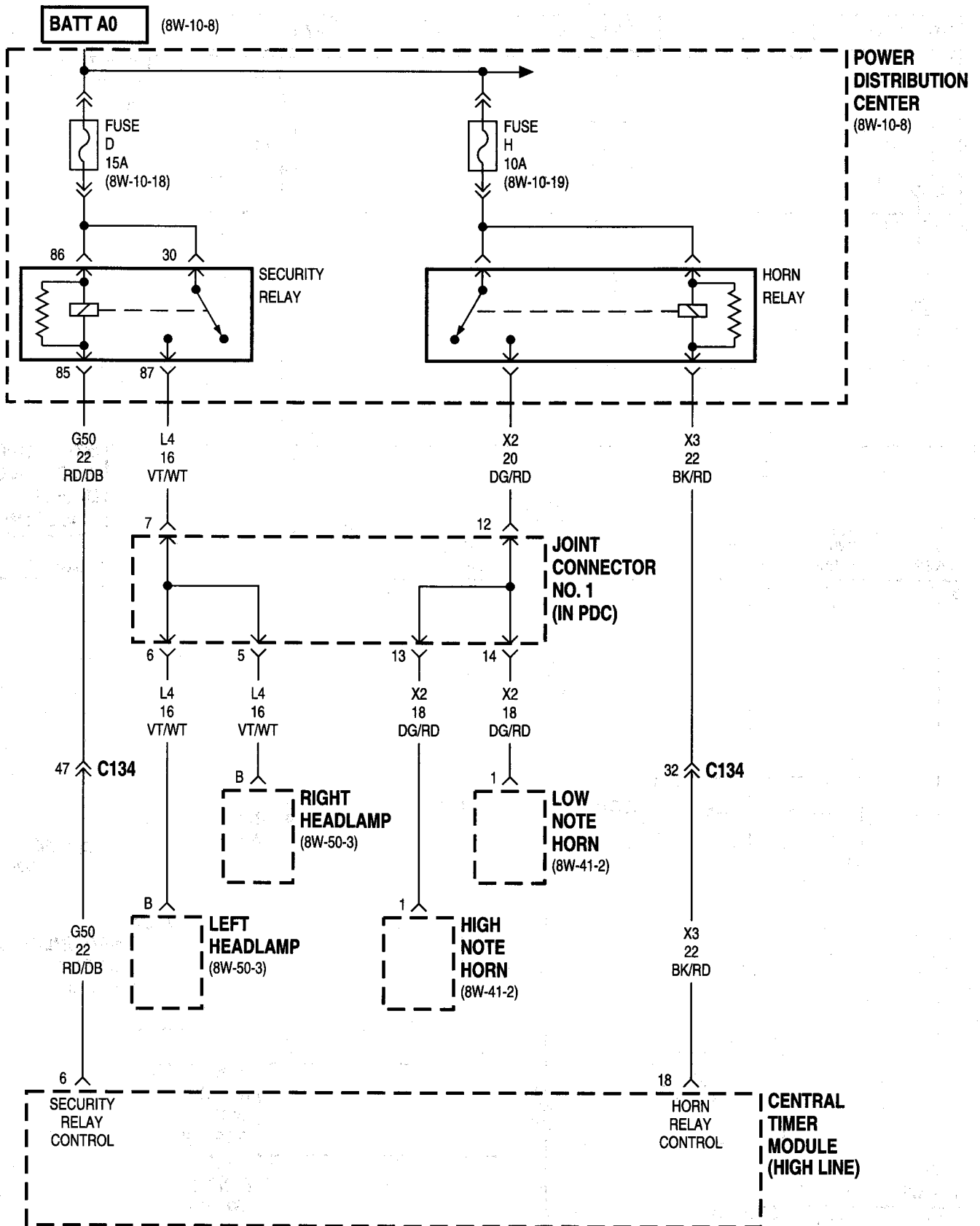
**8W-45 CENTRAL TIMER MODULE**

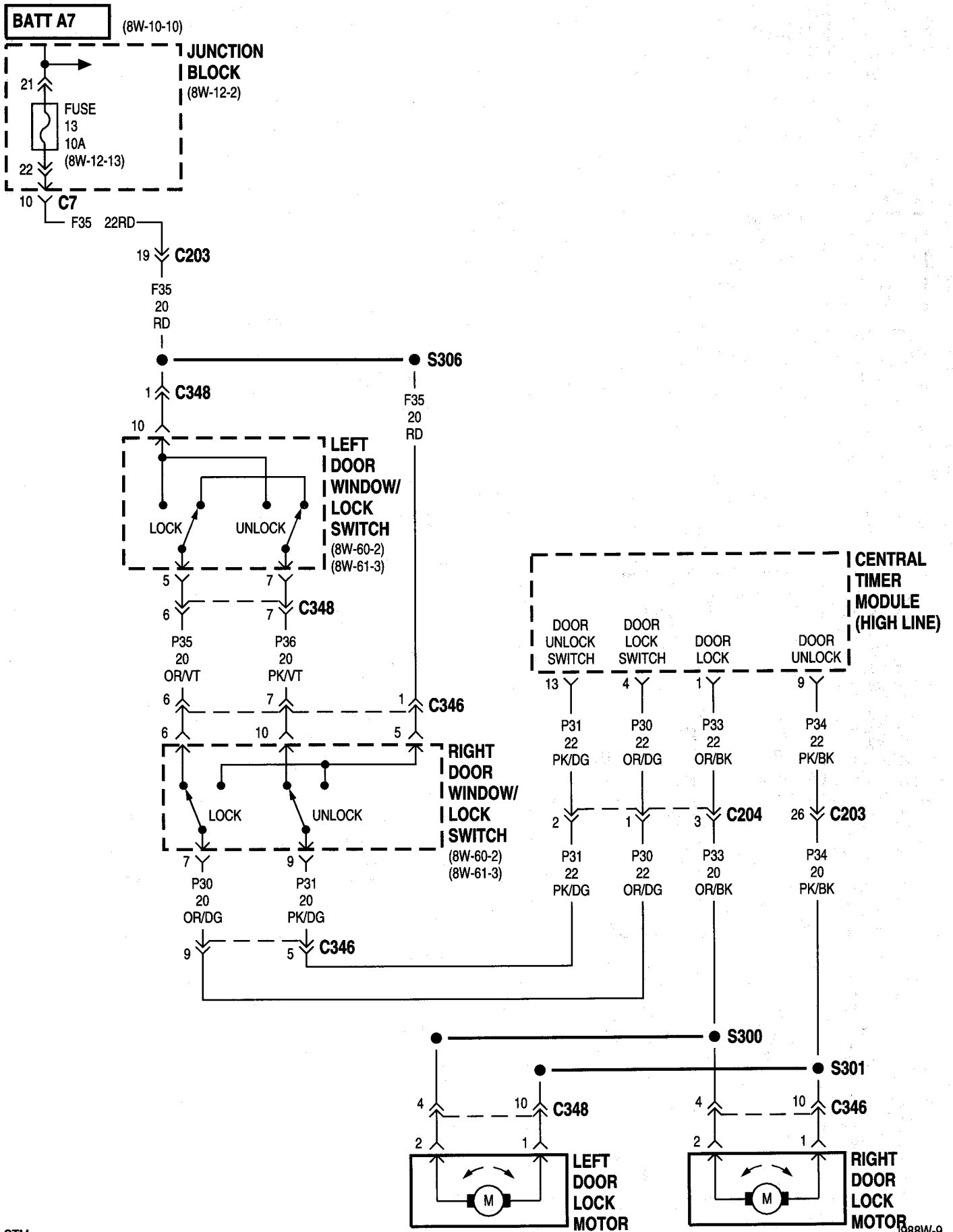
<b>Component</b>	<b>Page</b>	<b>Component</b>	<b>Page</b>
Central Timer Module . . . . .	8W-45-2, 4, 5, 6	Joint Connector No. 5 . . . . .	8W-45-2
Data Link Connector . . . . .	8W-45-2	Joint Connector No. 6 . . . . .	8W-45-2, 3, 6
Dome Lamp . . . . .	8W-45-2	Joint Connector No. 7 . . . . .	8W-45-2
Fuse 6 (JB) . . . . .	8W-45-3	Junction Block . . . . .	8W-45-2, 3, 5
Fuse 11 (JB) . . . . .	8W-45-2, 3	Left Door Disarm Switch . . . . .	8W-45-6
Fuse 13 (JB) . . . . .	8W-45-3, 5	Left Door Jamb Switch . . . . .	8W-45-6
Fuse D (PDC) . . . . .	8W-45-4	Left Door Lock Motor . . . . .	8W-45-5
Fuse H (PDC) . . . . .	8W-45-4	Left Door Window/Lock Switch . . . . .	8W-45-5
G200 . . . . .	8W-45-3	Left Headlamp . . . . .	8W-45-4
G201 . . . . .	8W-45-2	Low Note Horn . . . . .	8W-45-4
G300 . . . . .	8W-45-6	Power Distribution Center . . . . .	8W-45-4
Headlamp Switch . . . . .	8W-45-3	Right Door Disarm Switch . . . . .	8W-45-6
High Note Horn . . . . .	8W-45-4	Right Door Jamb Switch . . . . .	8W-45-6
Horn Relay . . . . .	8W-45-4	Right Door Lock Motor . . . . .	8W-45-5
Instrument Cluster . . . . .	8W-45-3, 6	Right Door Window/Lock Switch . . . . .	8W-45-5
Integrated Electronic Module . . . . .	8W-45-3, 6	Right Headlamp . . . . .	8W-45-4
Intermittent Wiper Switch . . . . .	8W-45-3	Security Relay . . . . .	8W-45-4
Joint Connector No. 1 . . . . .	8W-45-4	Wiper Motor Relay . . . . .	8W-45-3

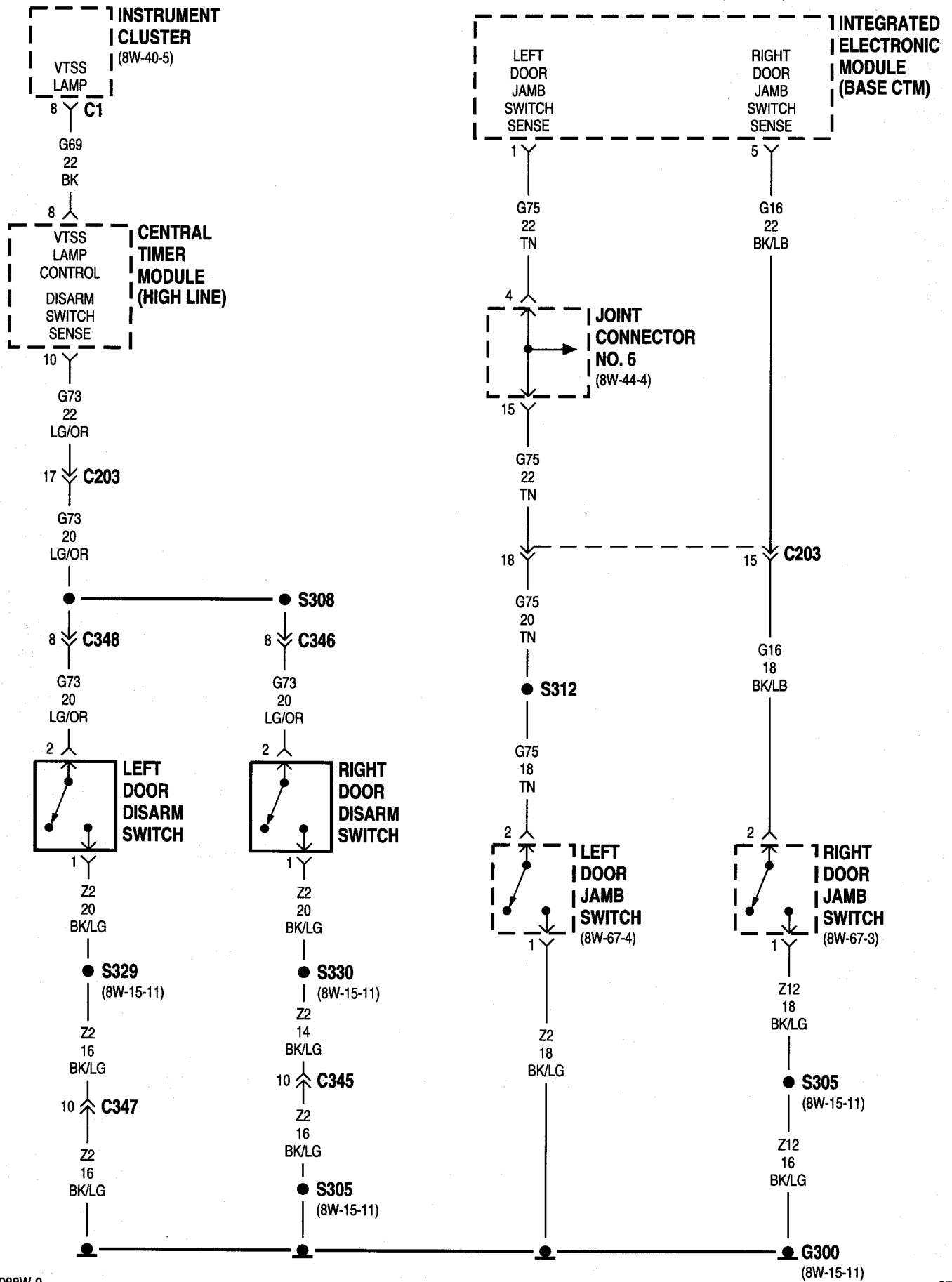






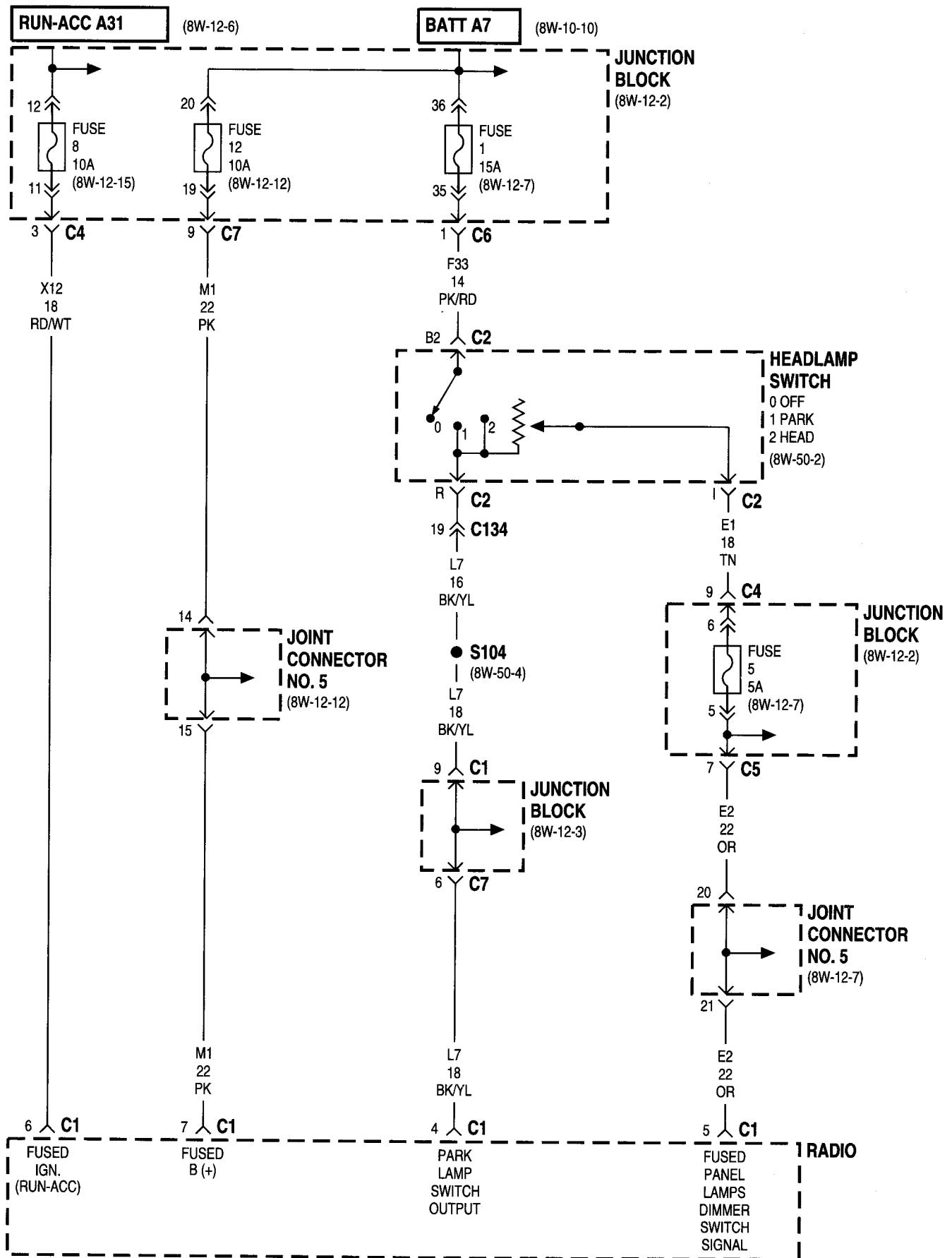


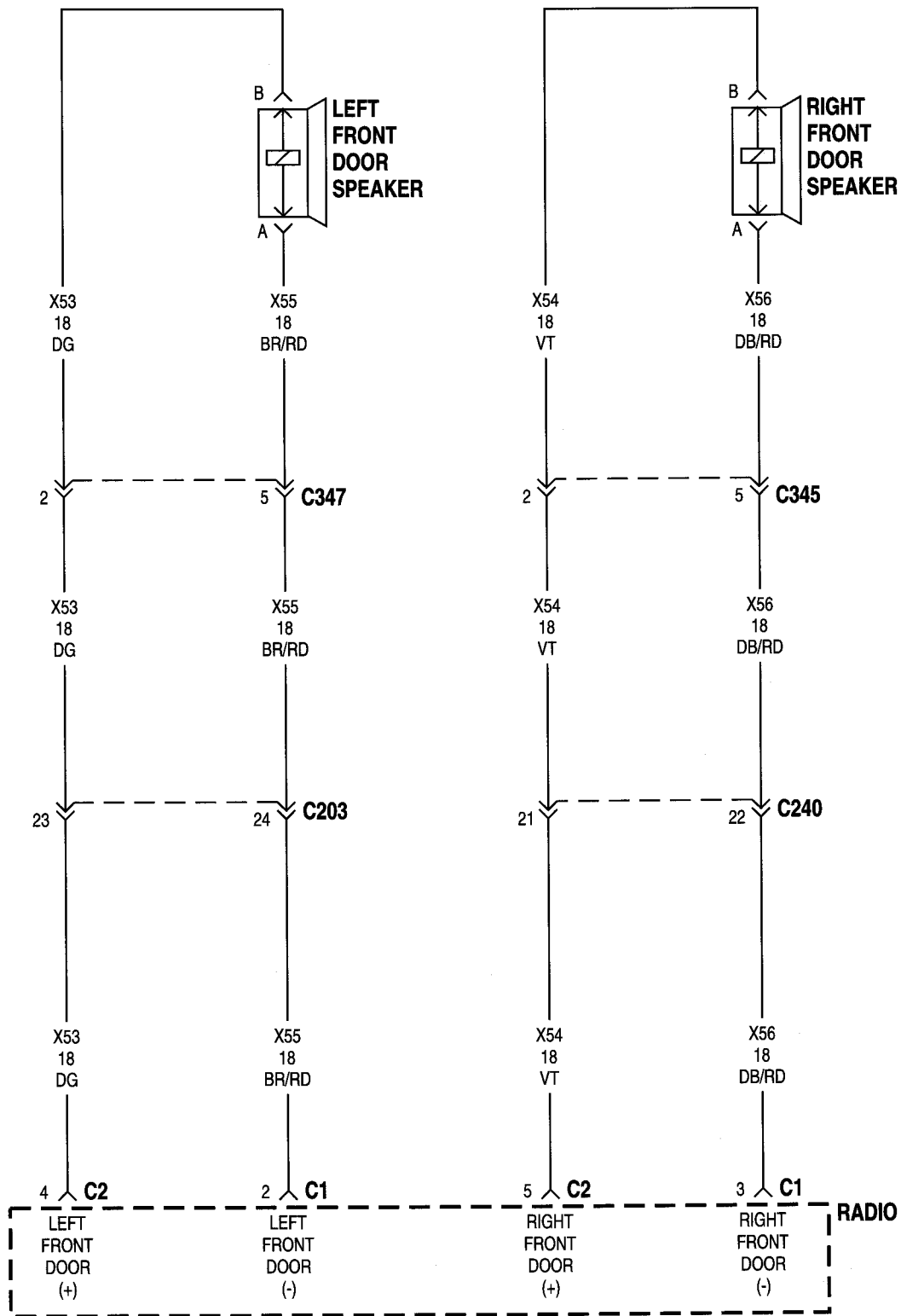


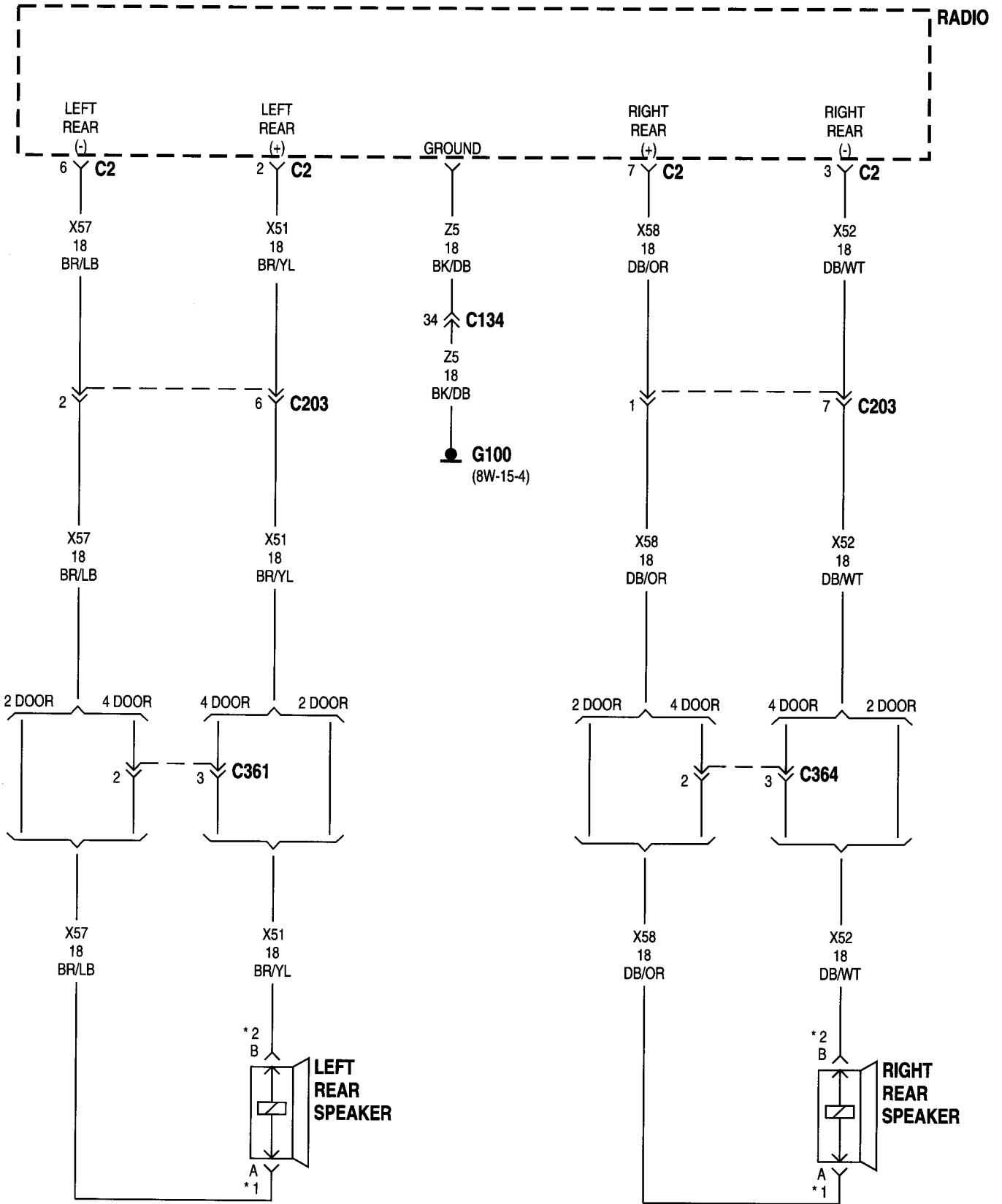


**8W-47 AUDIO SYSTEM**

<b>Component</b>	<b>Page</b>	<b>Component</b>	<b>Page</b>
Fuse 1 (JB) .....	8W-47-2	Left Front Door Speaker .....	8W-47-3, 5, 6
Fuse 4 (JB) .....	8W-47-5	Left Rear Speaker .....	8W-47-4
Fuse 5 (JB) .....	8W-47-2	Left Tweeter .....	8W-47-6
Fuse 8 (JB) .....	8W-47-2	Radio .....	8W-47-2, 3, 4, 5, 6
Fuse 12 (JB) .....	8W-47-2	Radio Choke Relay .....	8W-47-5, 6
G100 .....	8W-47-4, 5, 6	Right Front Door Speaker .....	8W-47-3, 5, 6
Headlamp Switch .....	8W-47-2	Right Rear Speaker .....	8W-47-4
Joint Connector No. 5 .....	8W-47-2	Right Tweeter .....	8W-47-6
Junction Block .....	8W-47-2, 5		

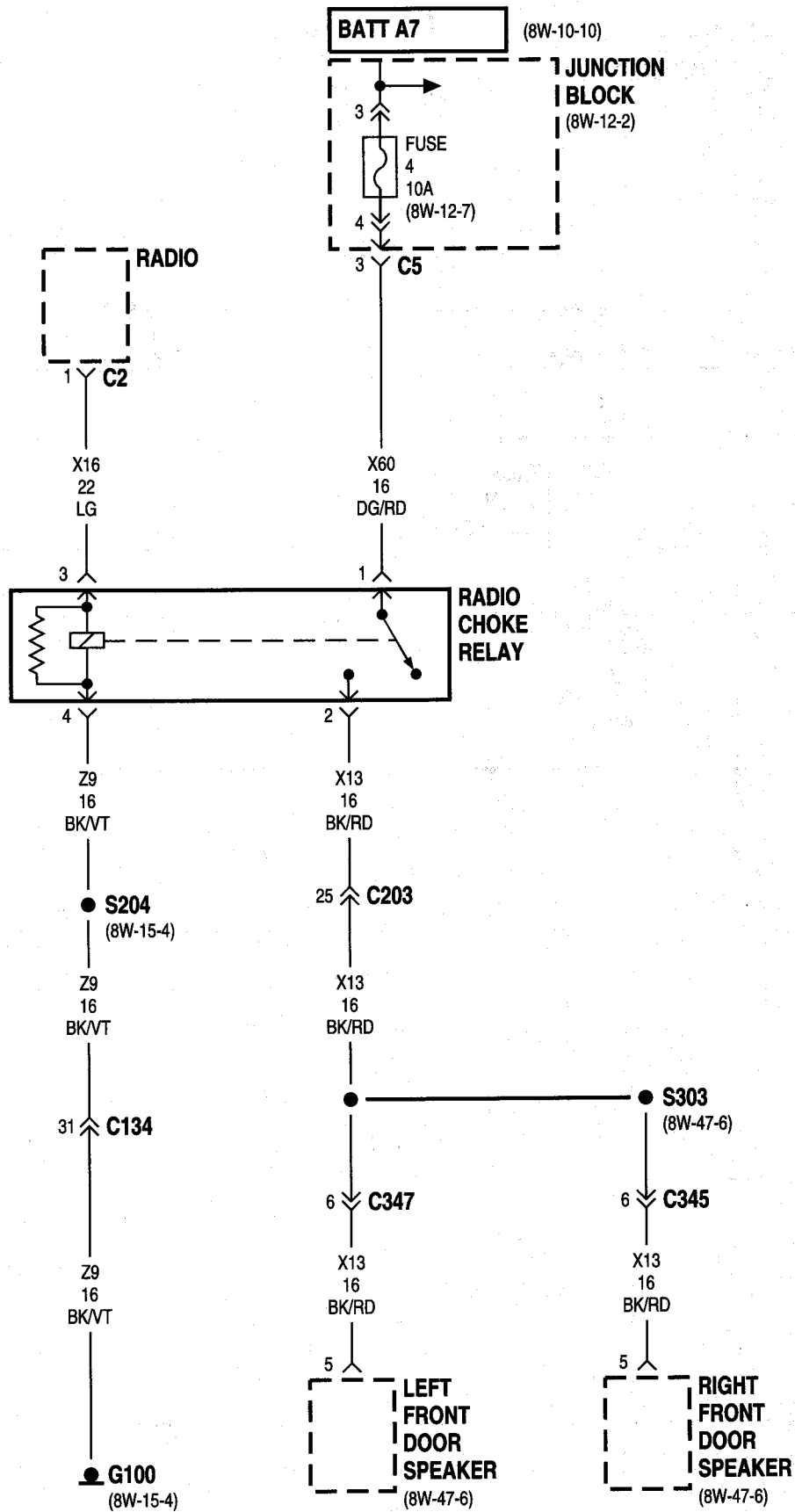


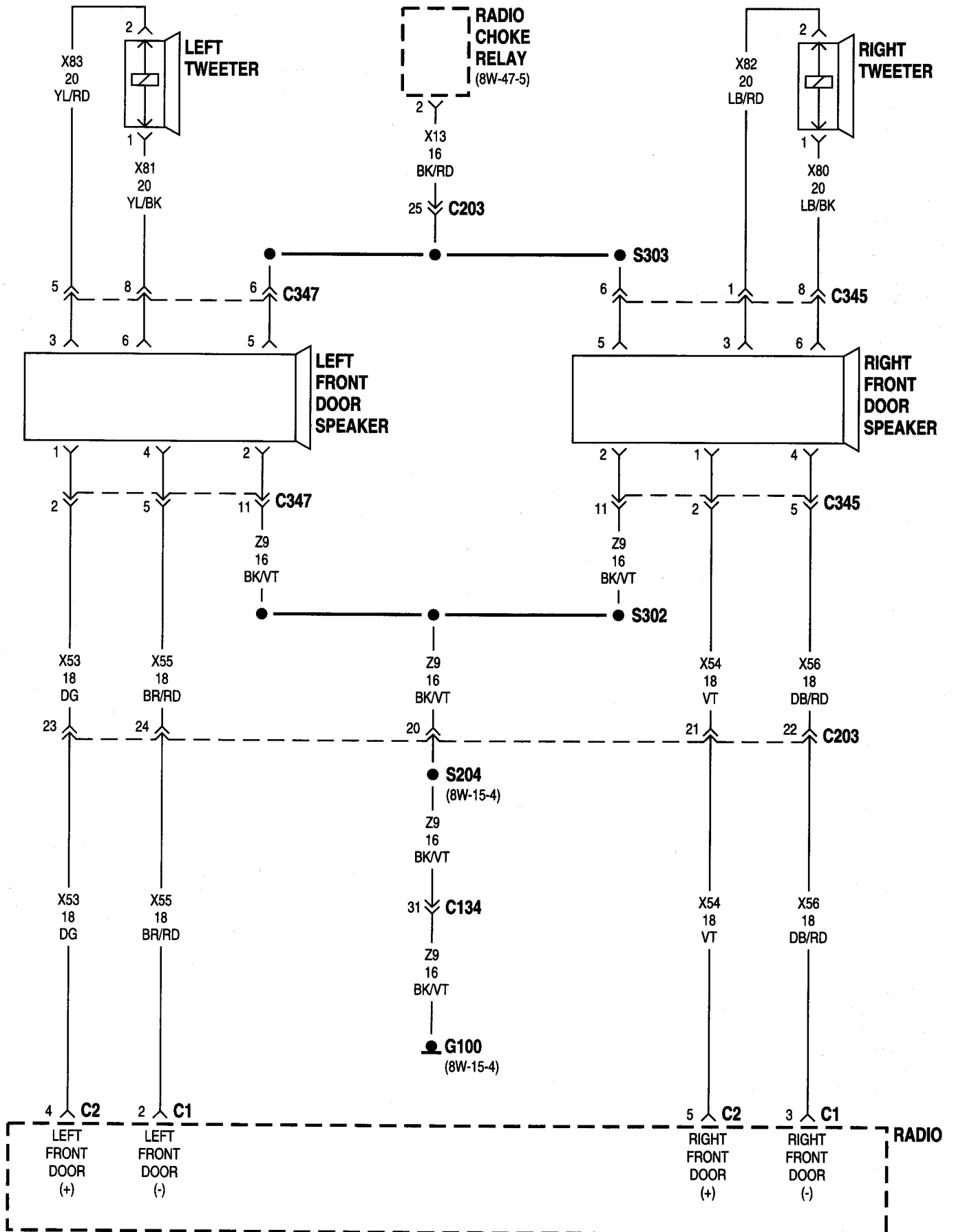




\* PREMIUM

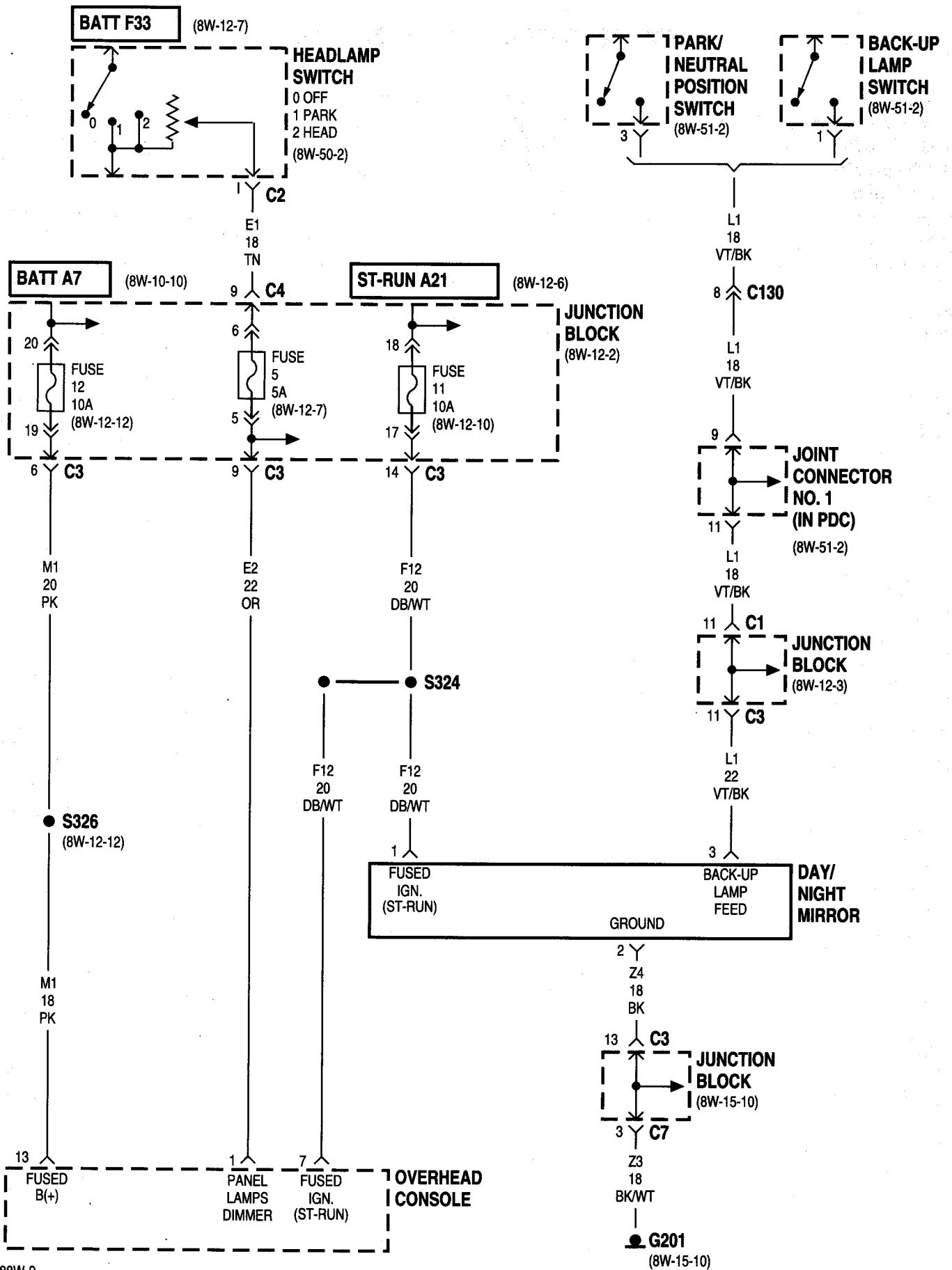


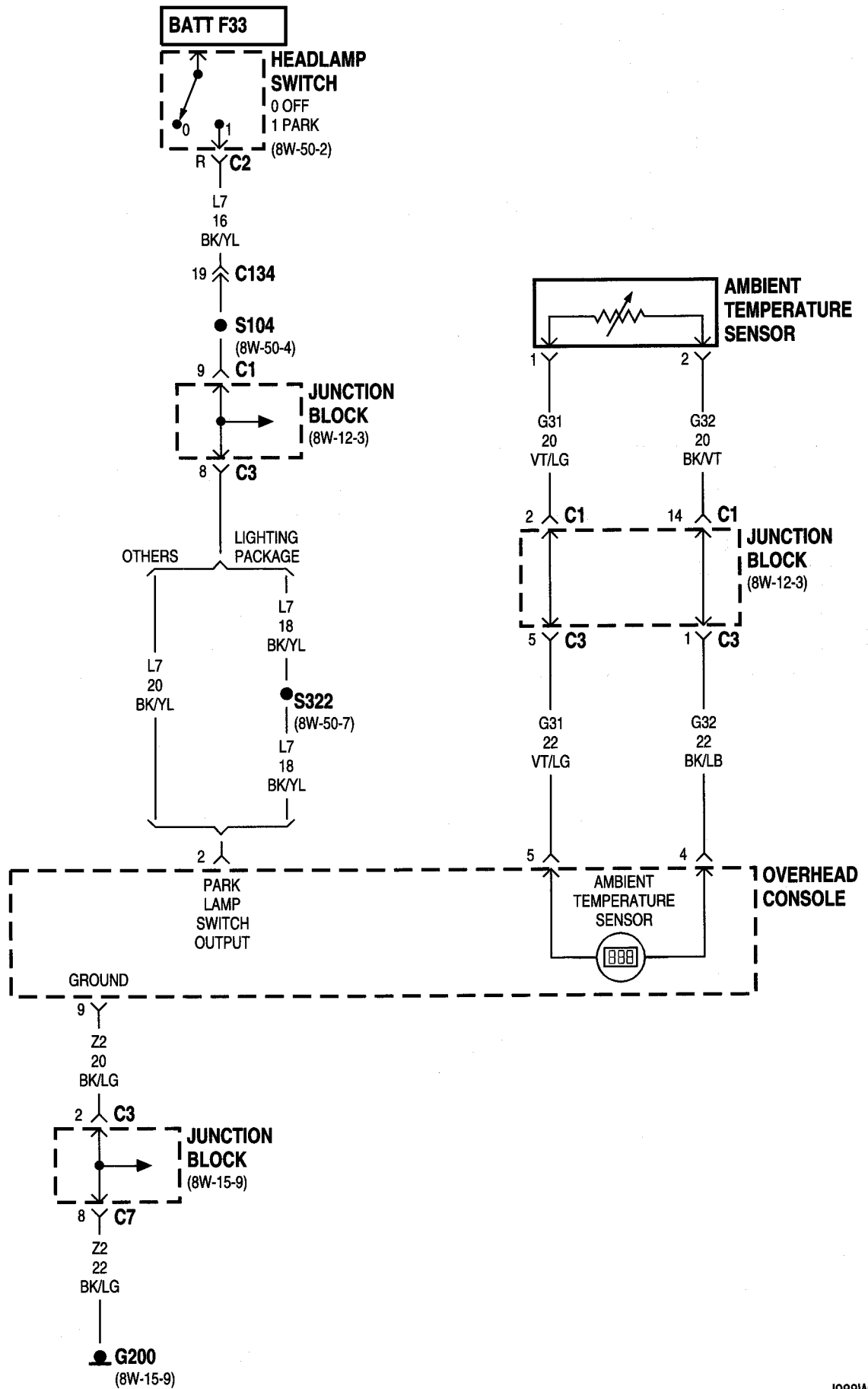


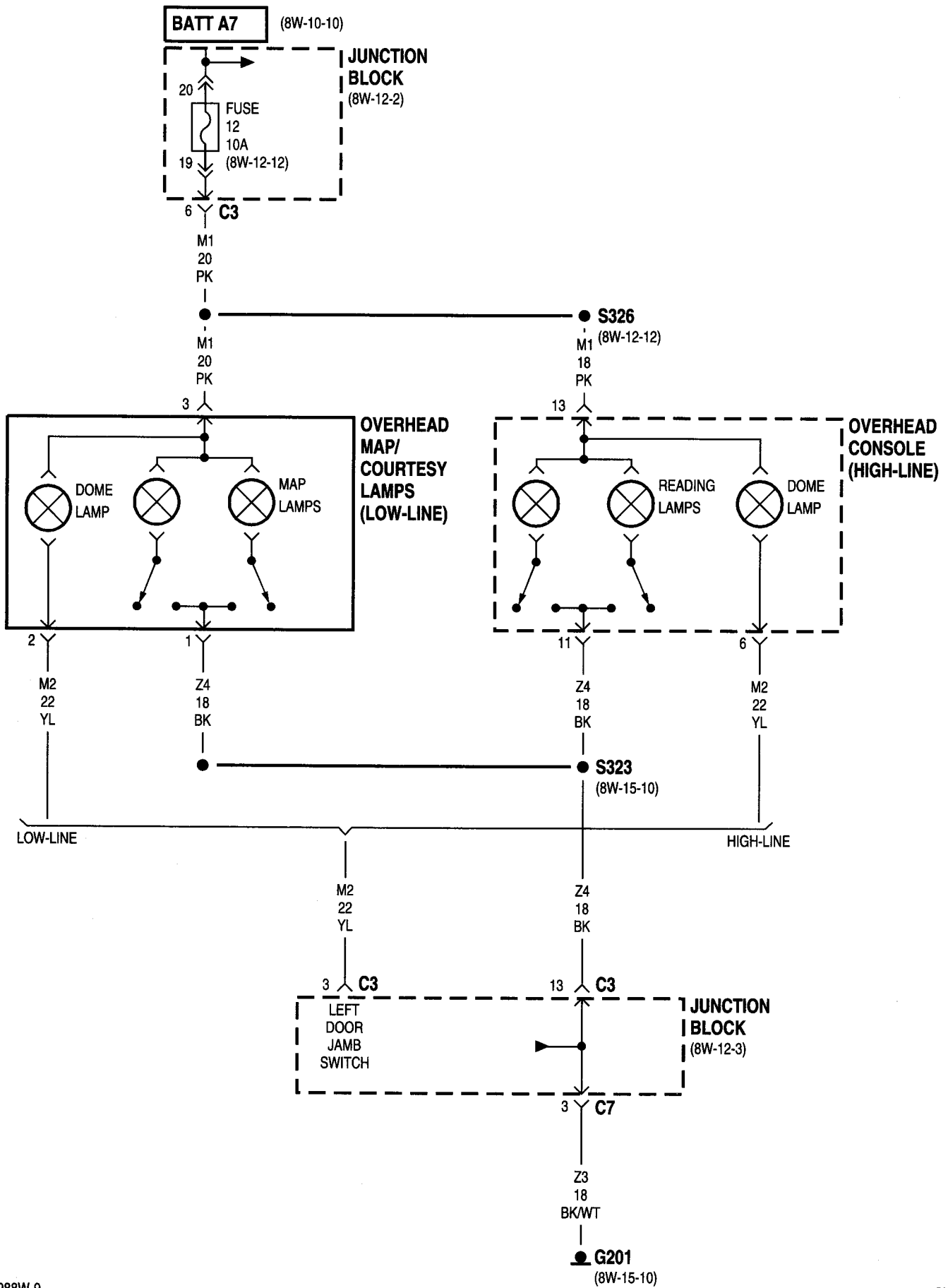


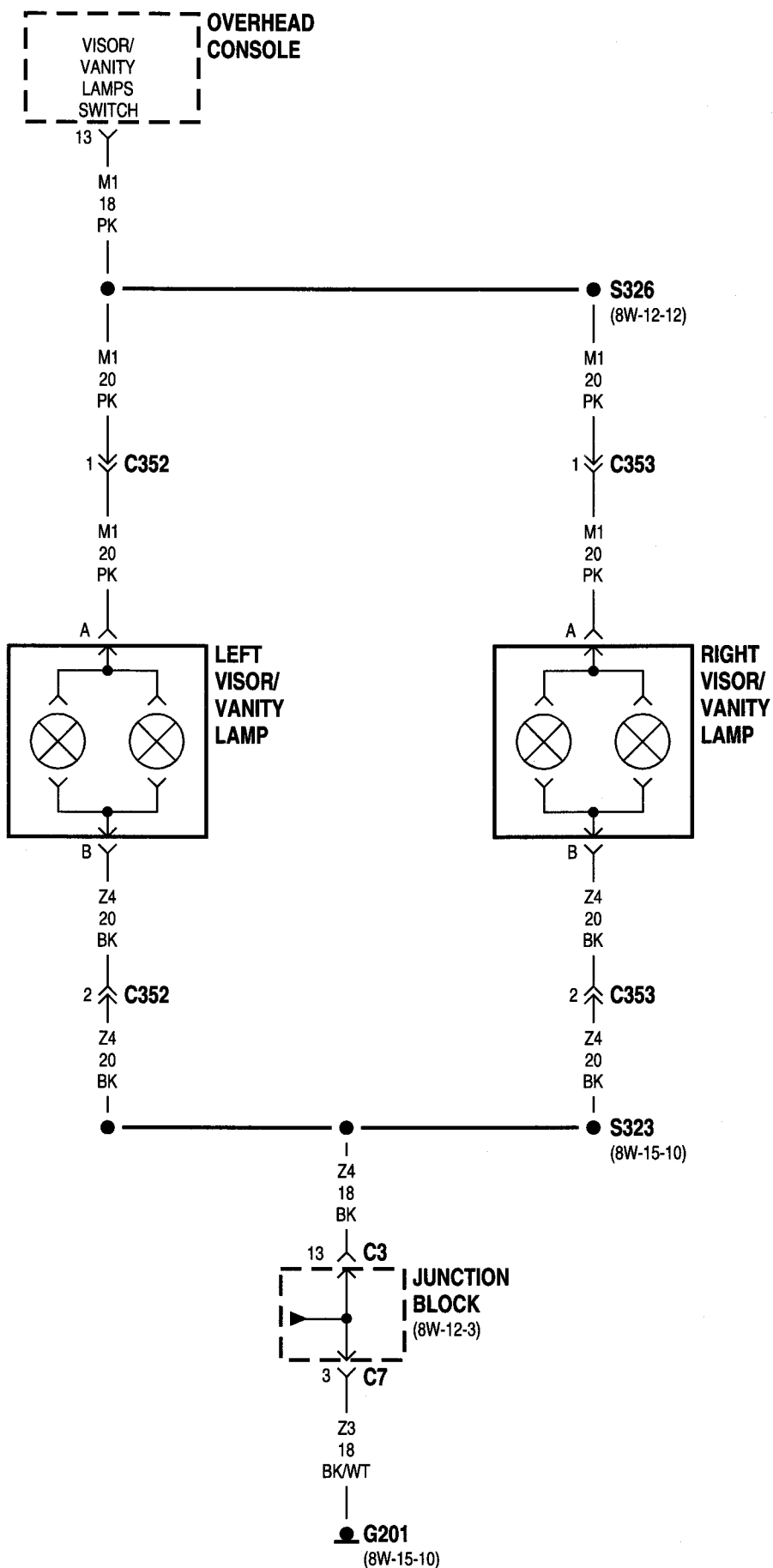
## 8W-49 OVERHEAD CONSOLE

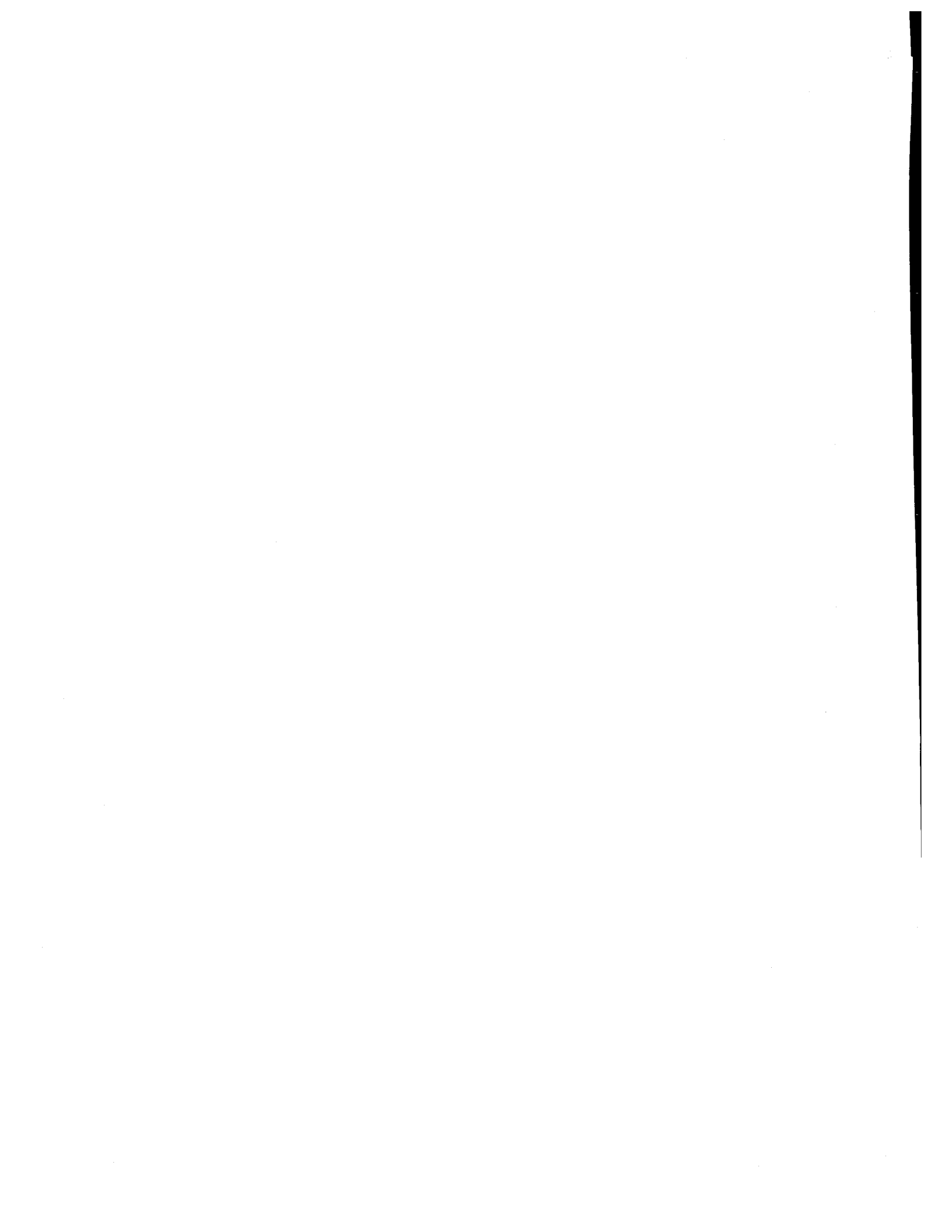
Component	Page	Component	Page
Ambient Temperature Sensor . . . . .	.8W-49-3	Joint Connector No. 1 . . . . .	.8W-49-2
Back-Up Lamp Switch . . . . .	.8W-49-2	Junction Block . . . . .	.8W-49-2, 3, 4, 5
Day/Night Mirror . . . . .	.8W-49-2	Left Visor/Vanity Lamp . . . . .	.8W-49-5
Dome Lamp . . . . .	.8W-49-4	Map Lamps . . . . .	.8W-49-4
Fuse 5 (JB) . . . . .	.8W-49-2	Overhead Console . . . . .	.8W-49-2, 3, 4, 5
Fuse 11 (JB) . . . . .	.8W-49-2	Overhead Map/Courtesy Lamps . . . . .	.8W-49-4
Fuse 12 (JB) . . . . .	.8W-49-2, 4	Park/Neutral Position Switch . . . . .	.8W-49-2
G200 . . . . .	.8W-49-3	Reading Lamps . . . . .	.8W-49-4
G201 . . . . .	.8W-49-2, 4, 5	Right Visor/Vanity Lamp . . . . .	.8W-49-5
Headlamp Switch . . . . .	.8W-49-2, 3	Temperature Indicator . . . . .	.8W-49-3







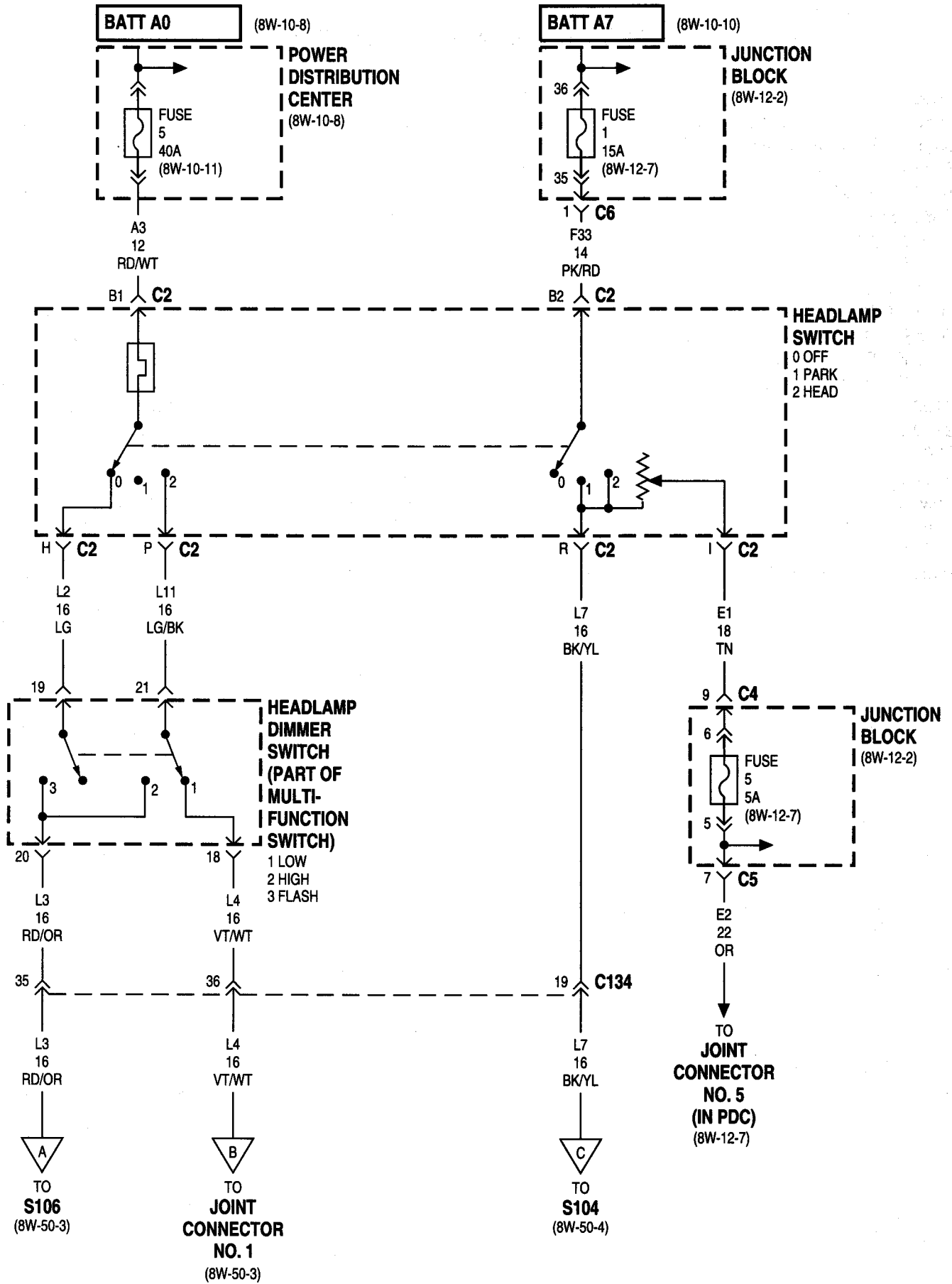


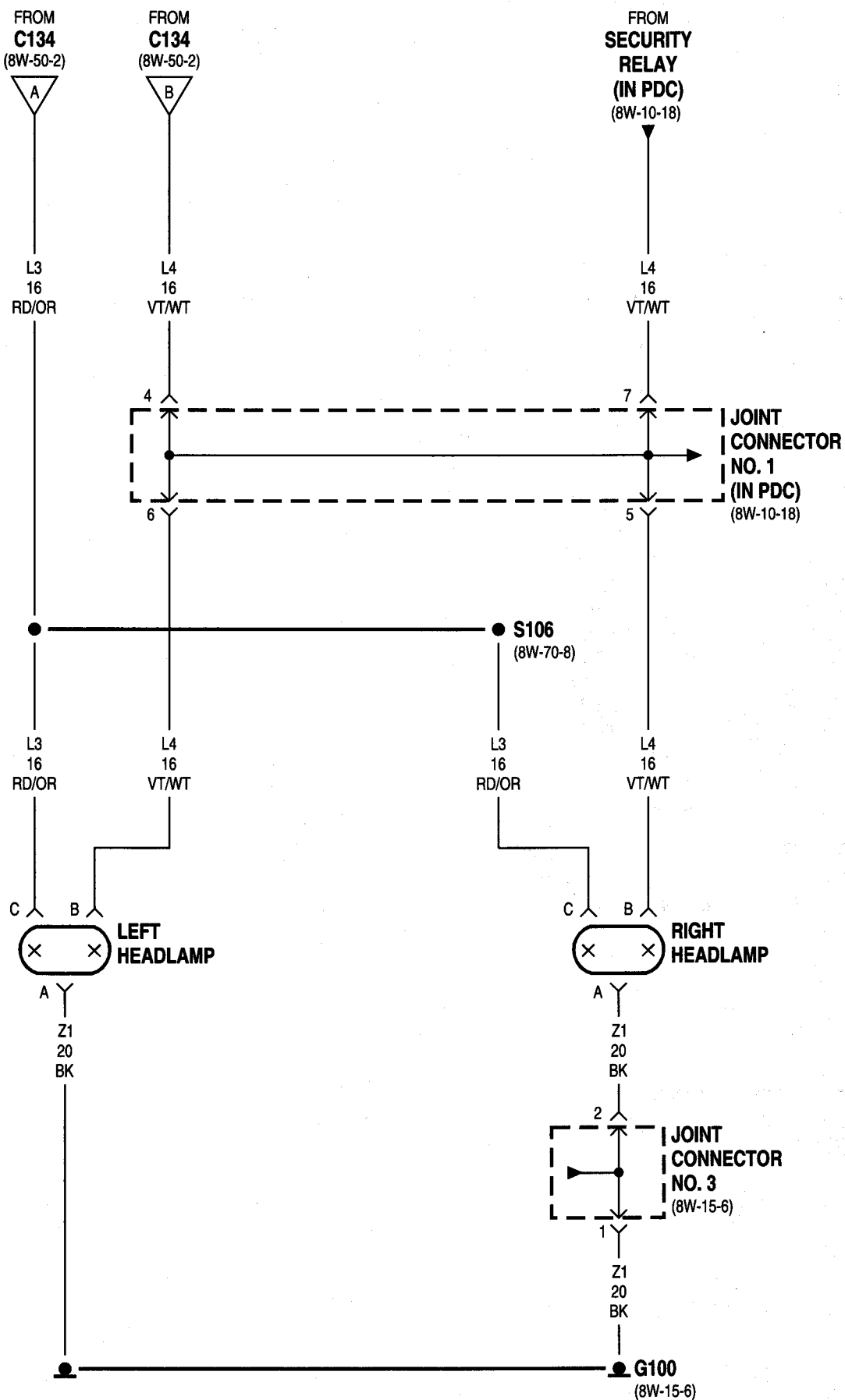


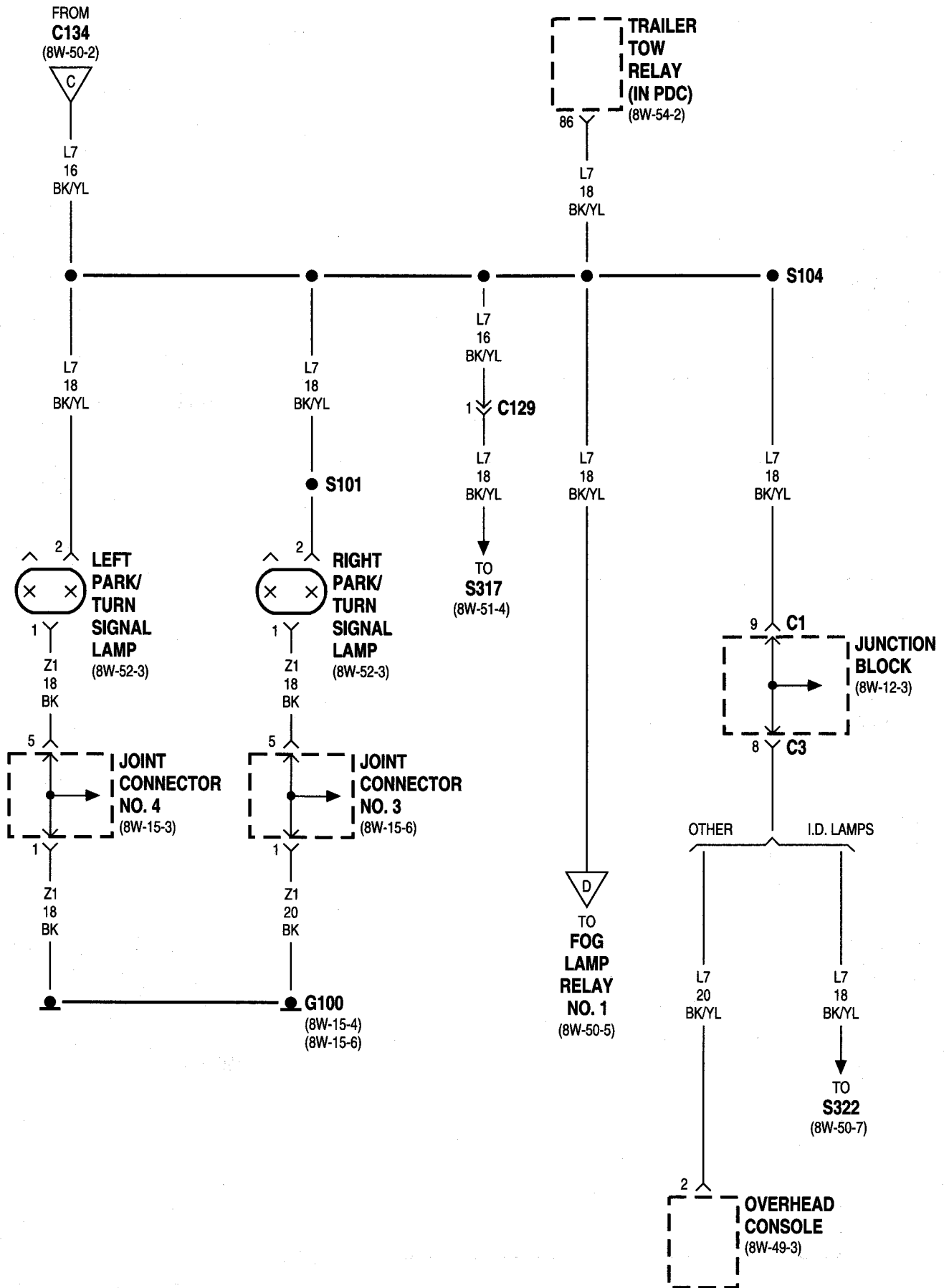


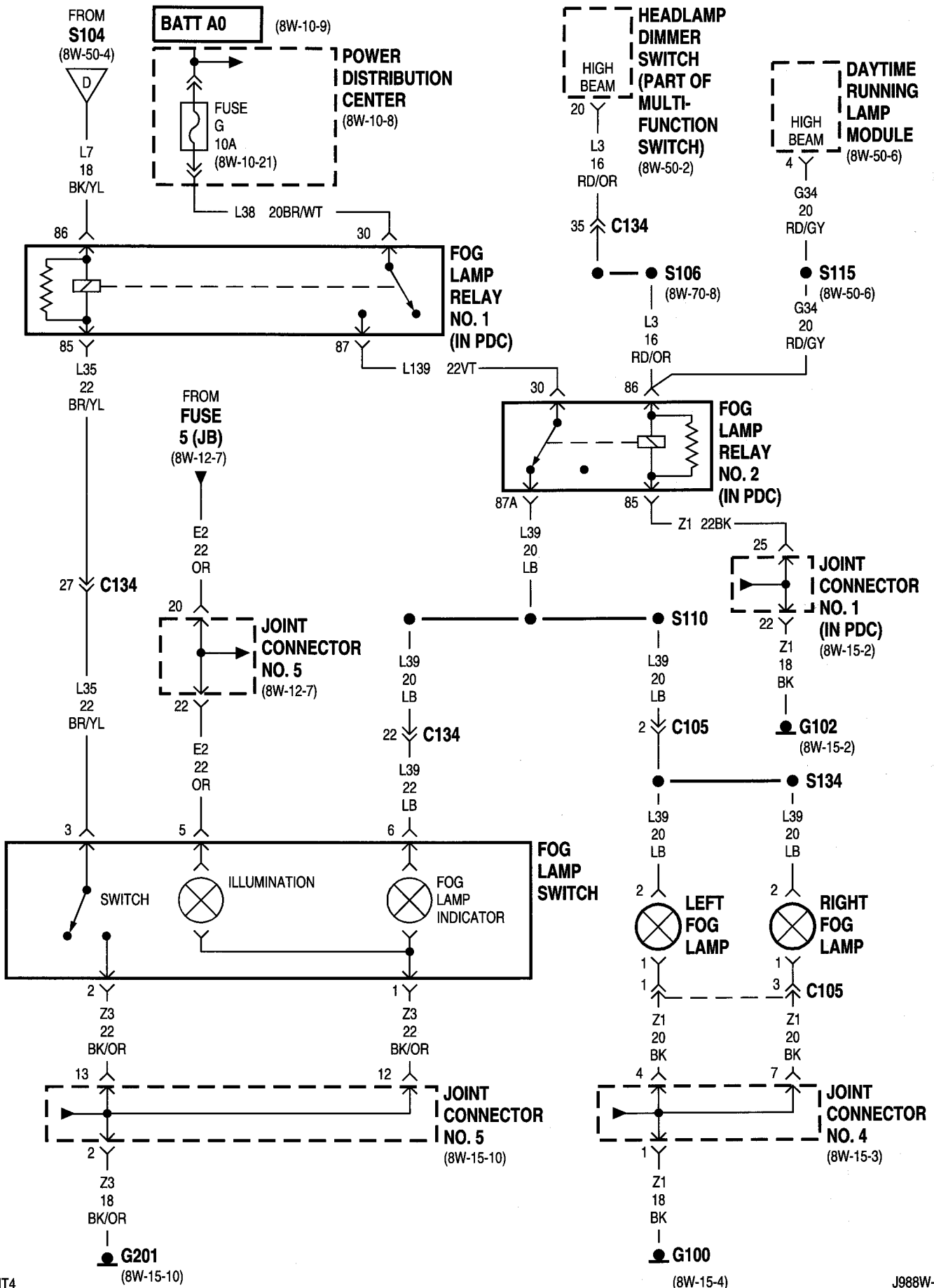
## 8W-50 FRONT LIGHTING

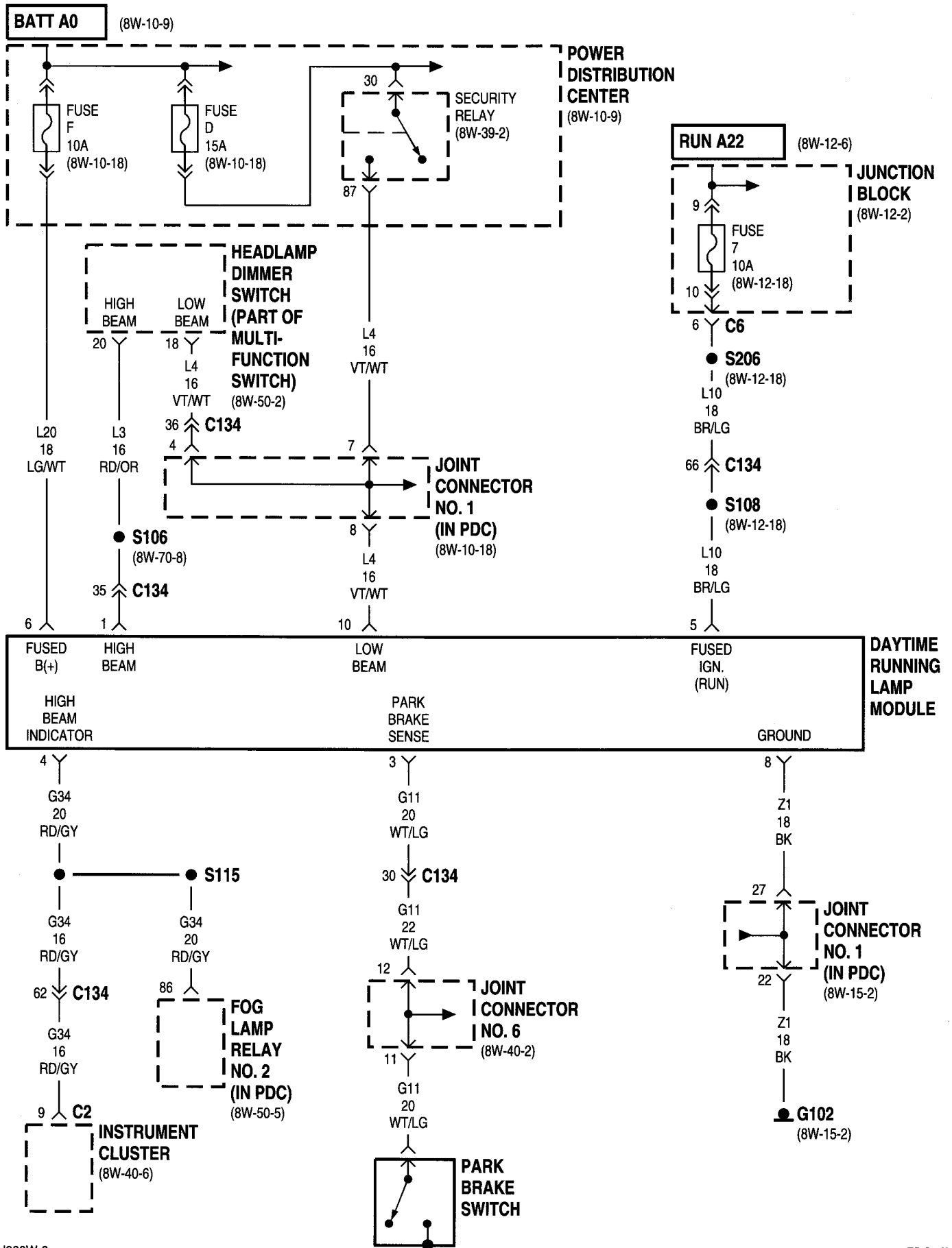
<b>Component</b>	<b>Page</b>	<b>Component</b>	<b>Page</b>
Center Identification Lamp . . . . .	.8W-50-7	Joint Connector No. 3 . . . . .	.8W-50-3, 4
Daytime Running Lamp Module . . . . .	.8W-50-5, 6	Joint Connector No. 4 . . . . .	.8W-50-4, 5
Fog Lamp Relay No. 1 . . . . .	.8W-50-5	Joint Connector No. 5 . . . . .	.8W-50-2, 5
Fog Lamp Relay No. 2 . . . . .	.8W-50-5, 6	Joint Connector No. 6 . . . . .	.8W-50-6
Fog Lamp Switch . . . . .	.8W-50-5	Junction Block . . . . .	.8W-50-2, 4, 6, 7
Fuse 1 (JB) . . . . .	.8W-50-2, 7	Left Fog Lamp . . . . .	.8W-50-5
Fuse 5 (JB) . . . . .	.8W-50-2, 5	Left Headlamp . . . . .	.8W-50-3
Fuse 5 (PDC) . . . . .	.8W-50-2	Left Outboard Clearance Lamp . . . . .	.8W-50-7
Fuse 7 (JB) . . . . .	.8W-50-6	Left Outboard Identification Lamp . . . . .	.8W-50-7
Fuse D (PDC) . . . . .	.8W-50-6	Left Park/Turn Signal Lamp . . . . .	.8W-50-4
Fuse F (PDC) . . . . .	.8W-50-6	Overhead Console . . . . .	.8W-50-4, 7
Fuse G (PDC) . . . . .	.8W-50-5	Park Brake Switch . . . . .	.8W-50-6
G100 . . . . .	.8W-50-3, 4, 5	Power Distribution Center . . . . .	.8W-50-2, 5, 6
G102 . . . . .	.8W-50-5, 6	Right Fog Lamp . . . . .	.8W-50-5
G201 . . . . .	.8W-50-5	Right Headlamp . . . . .	.8W-50-3
G302 . . . . .	.8W-50-7	Right Outboard Clearance Lamp . . . . .	.8W-50-7
Headlamp Dimmer Switch . . . . .	.8W-50-2, 5, 6	Right Outboard Identification Lamp . . . . .	.8W-50-7
Headlamp Switch . . . . .	.8W-50-2, 7	Right Park/Turn Signal Lamp . . . . .	.8W-50-4
Instrument Cluster . . . . .	.8W-50-6	Security Relay . . . . .	.8W-50-3, 6
Joint Connector No. 1 . . . . .	.8W-50-3, 5, 6	Trailer Tow Relay . . . . .	.8W-50-4

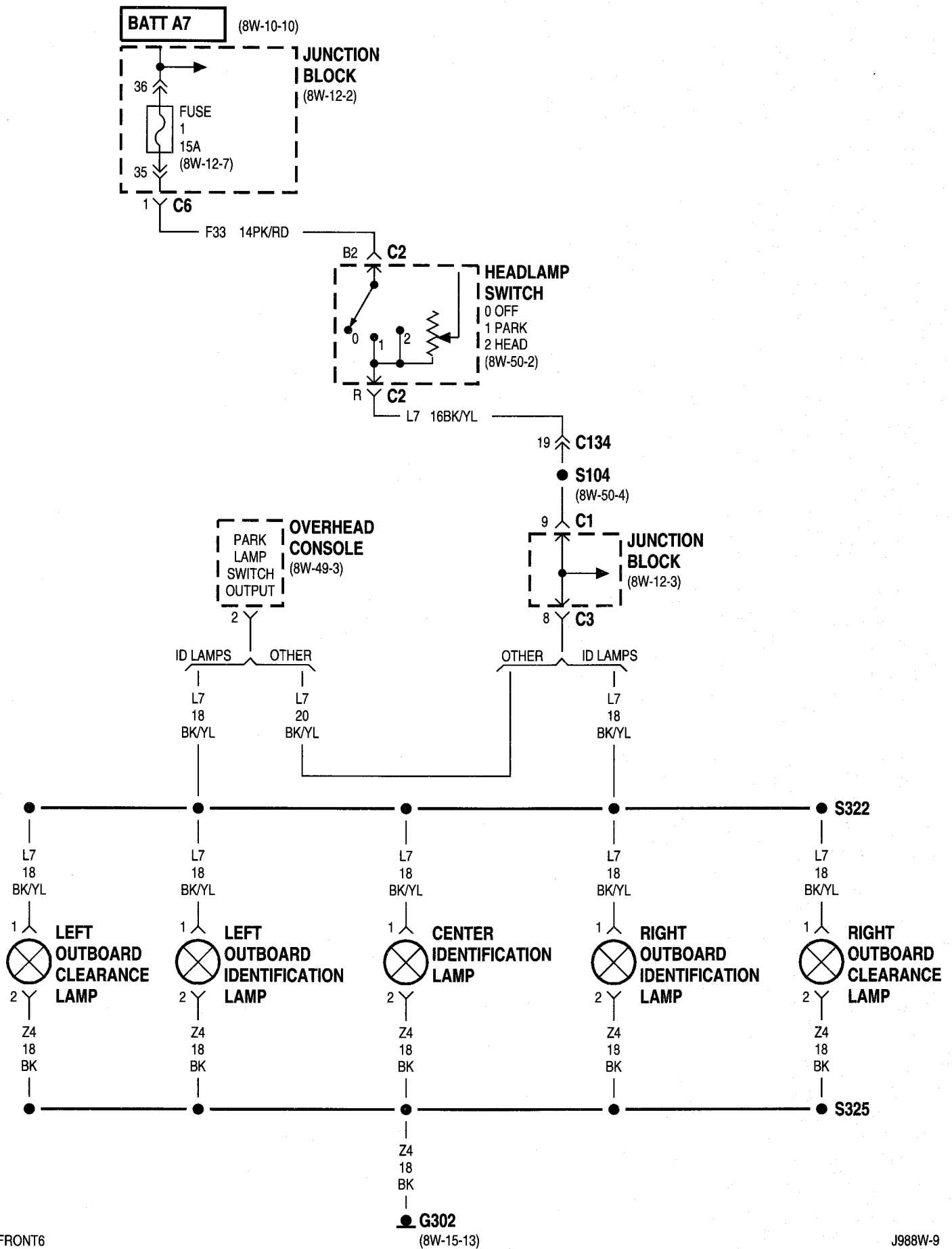


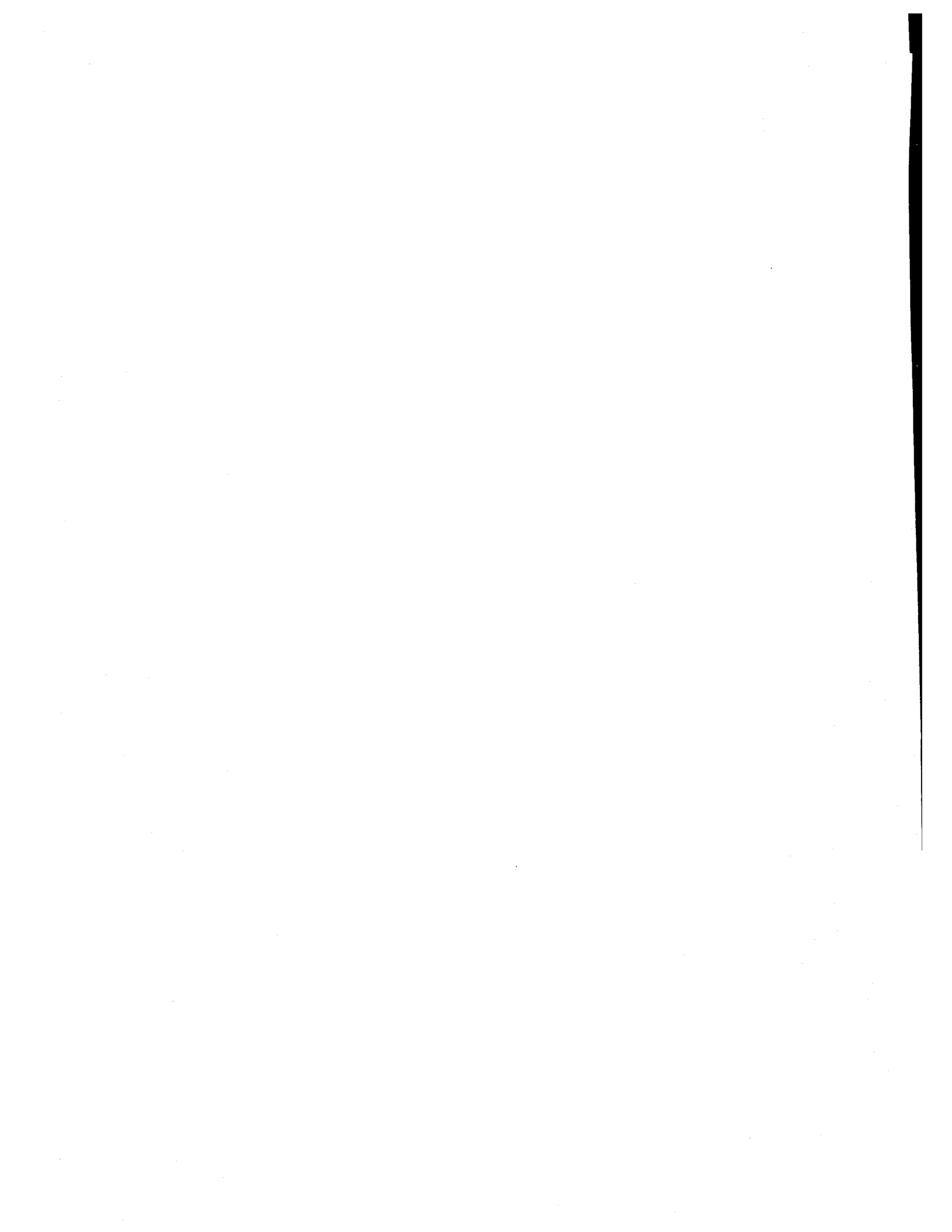








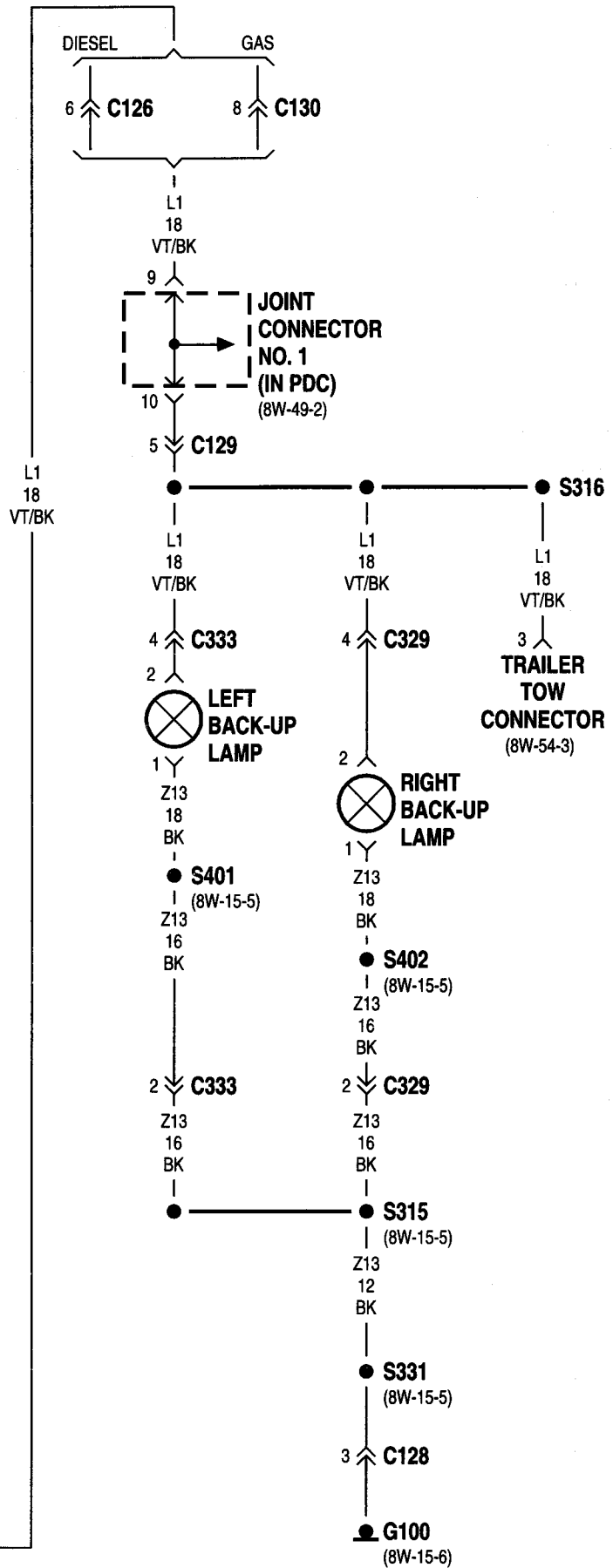
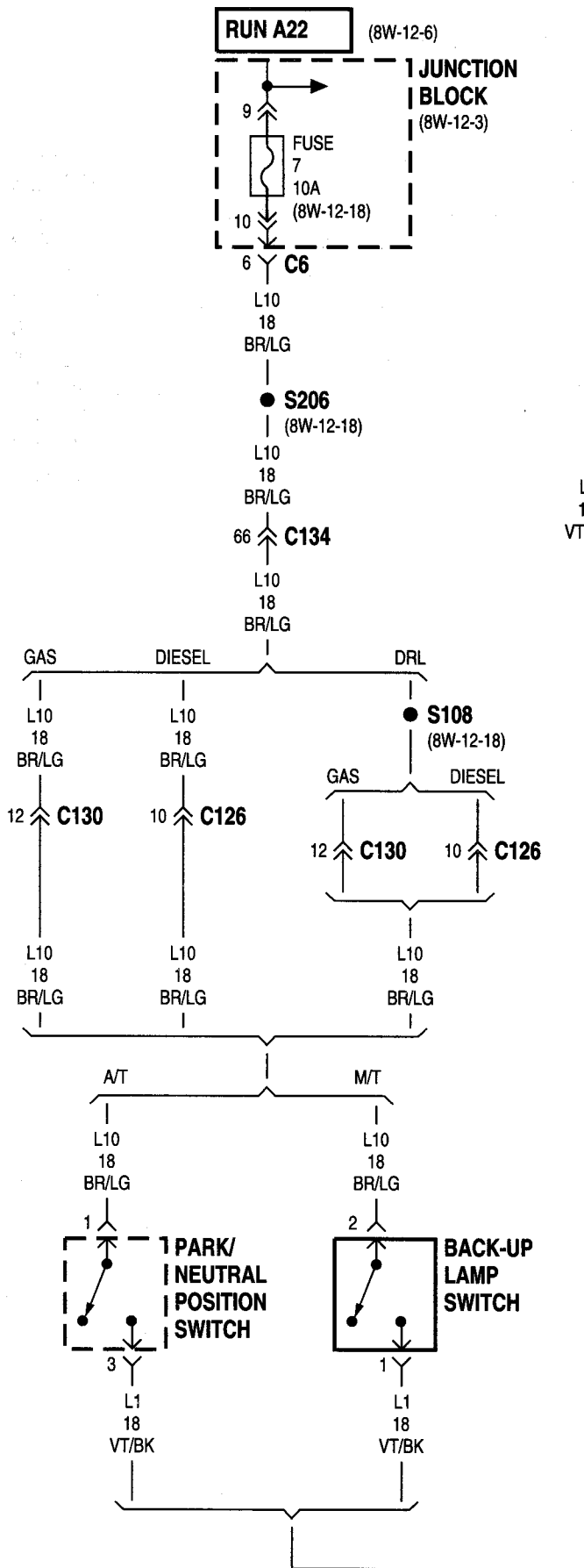


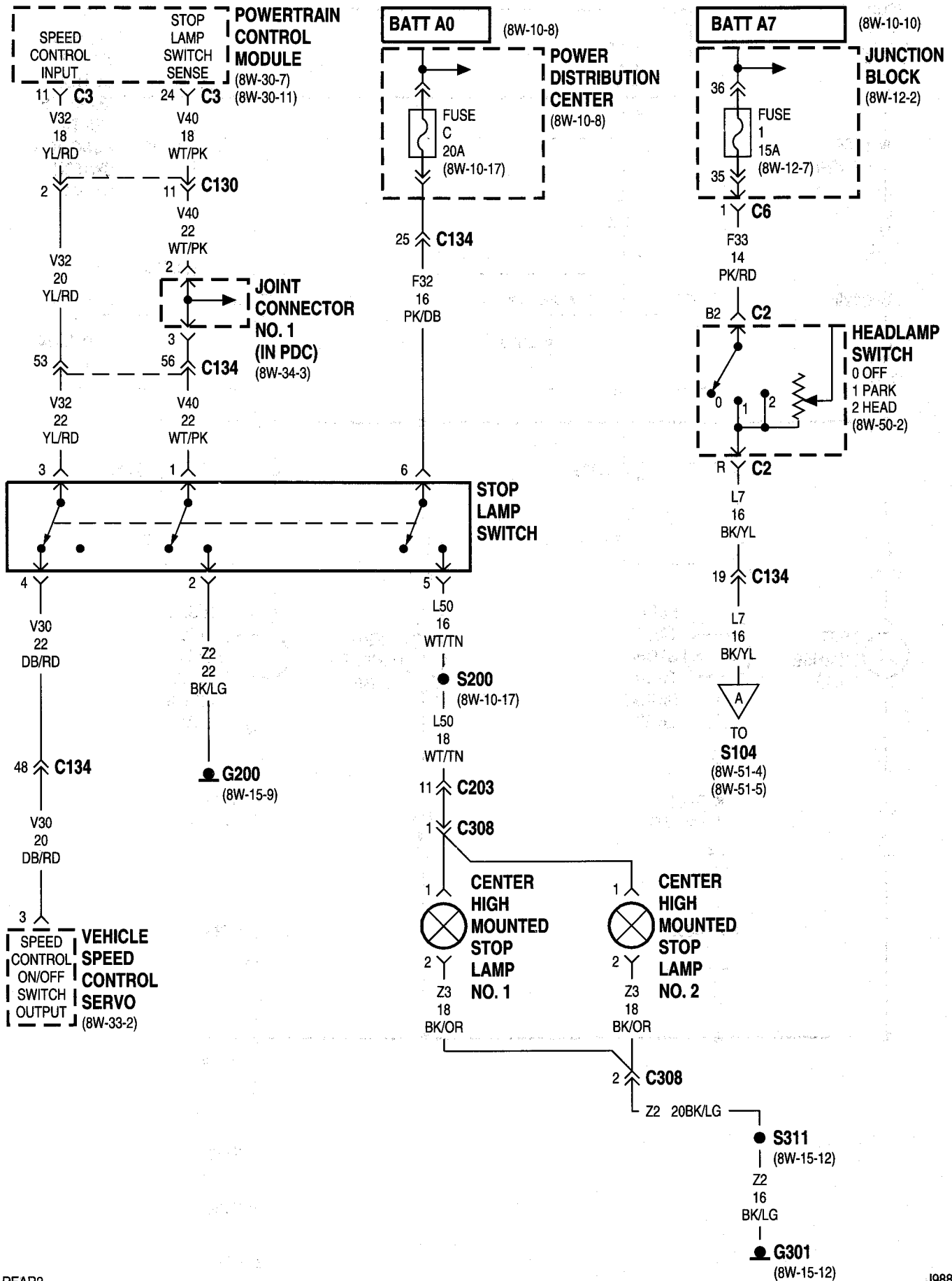


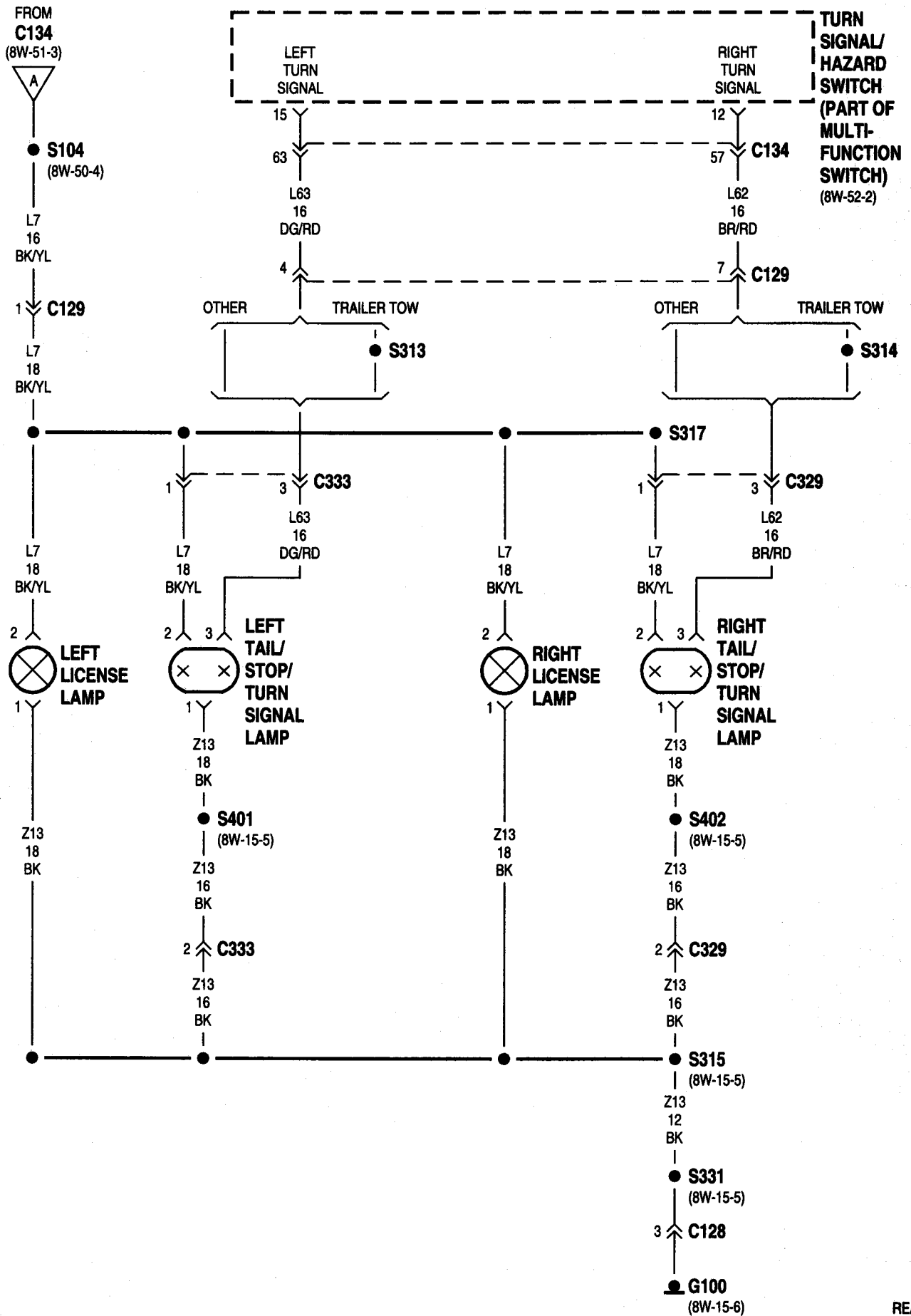


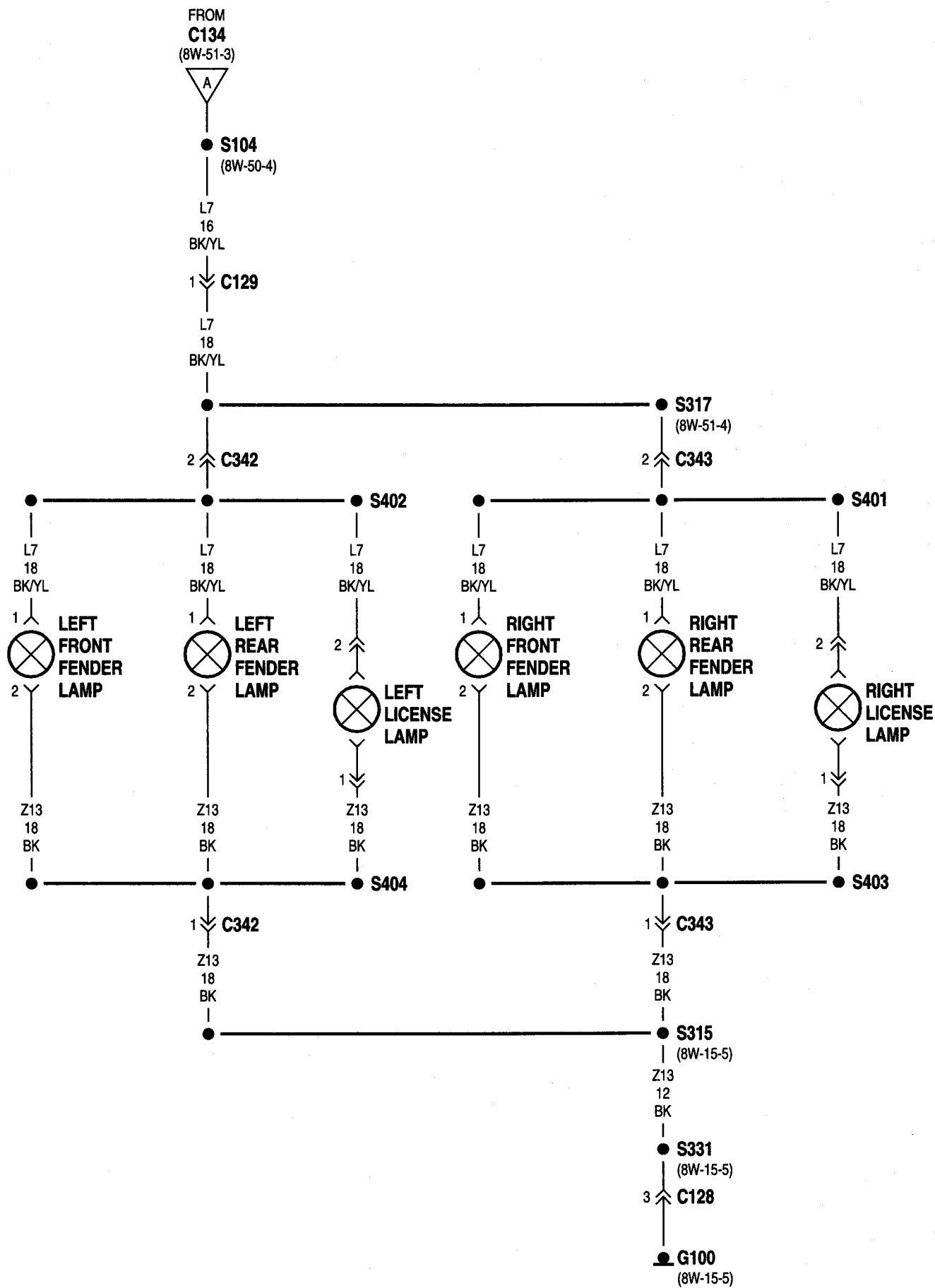
**8W-51 REAR LIGHTING**

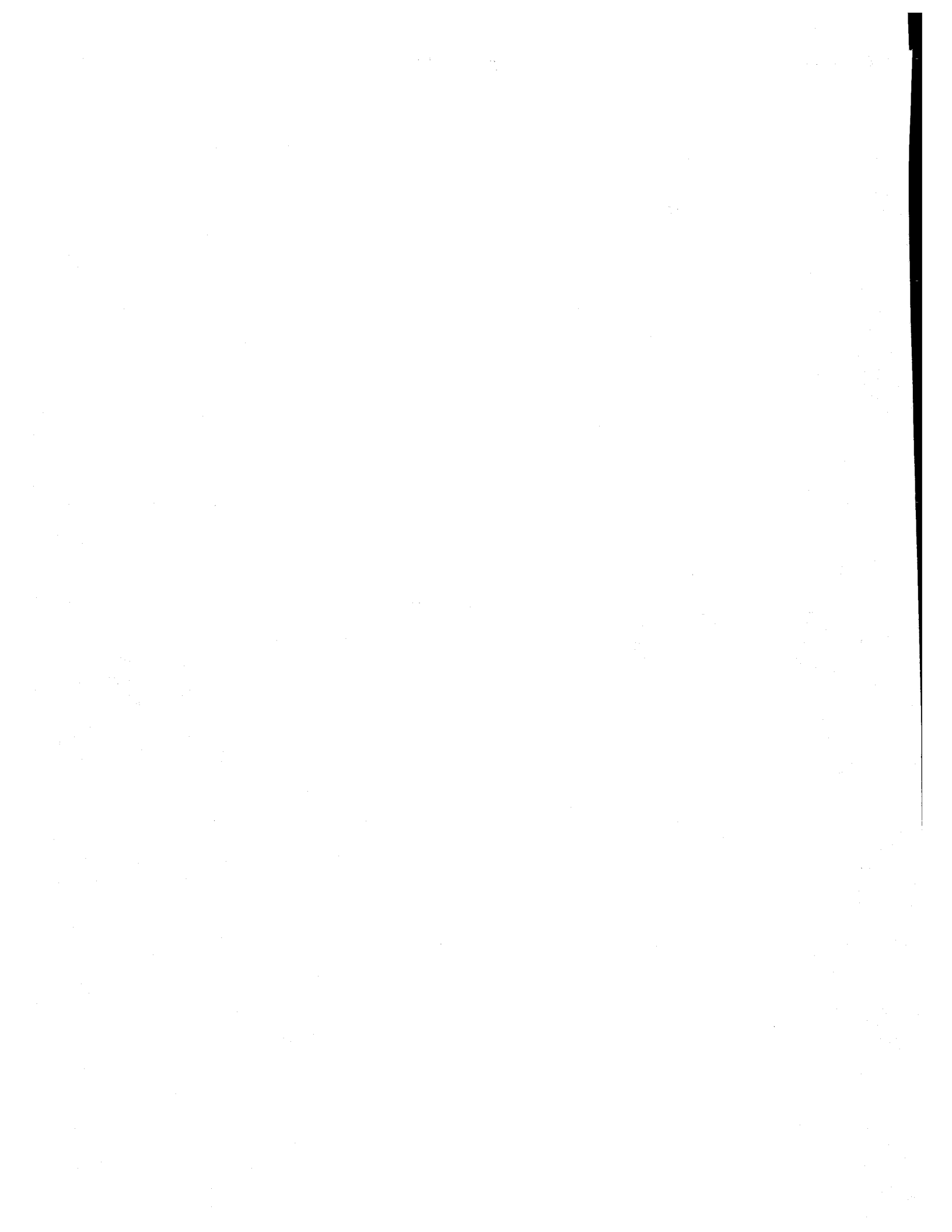
<b>Component</b>	<b>Page</b>	<b>Component</b>	<b>Page</b>
Back-Up Lamp Switch . . . . .	8W-51-2	Left License Lamp . . . . .	8W-51-4, 5
Center High Mounted Stop Lamp No. 1 . . . . .	8W-51-3	Left Rear Fender Lamp . . . . .	8W-51-5
Center High Mounted Stop Lamp No. 2 . . . . .	8W-51-3	Left Tail/Stop/Turn Signal Lamp . . . . .	8W-51-4
Fuse 1 (JB) . . . . .	8W-51-3	Park/Neutral Position Switch . . . . .	8W-51-2
Fuse 7 (JB) . . . . .	8W-51-2	Power Distribution Center . . . . .	8W-51-3
Fuse C (PDC) . . . . .	8W-51-3	Right Back-Up Lamp . . . . .	8W-51-2
G100 . . . . .	8W-51-2, 4, 5	Right Front Fender Lamp . . . . .	8W-51-5
G301 . . . . .	8W-51-3	Right License Lamp . . . . .	8W-51-4, 5
Headlamp Switch . . . . .	8W-51-3	Right Rear Fender Lamp . . . . .	8W-51-5
Joint Connector No. 1 . . . . .	8W-51-2	Right Tail/Stop/Turn Signal Lamp . . . . .	8W-51-4
Junction Block . . . . .	8W-51-2, 3	Stop Lamp Switch . . . . .	8W-51-3
Left Back-Up Lamp . . . . .	8W-51-2	Trailer Tow Connector . . . . .	8W-51-2
Left Front Fender Lamp . . . . .	8W-51-5	Turn Signal/Hazard Switch . . . . .	8W-51-4





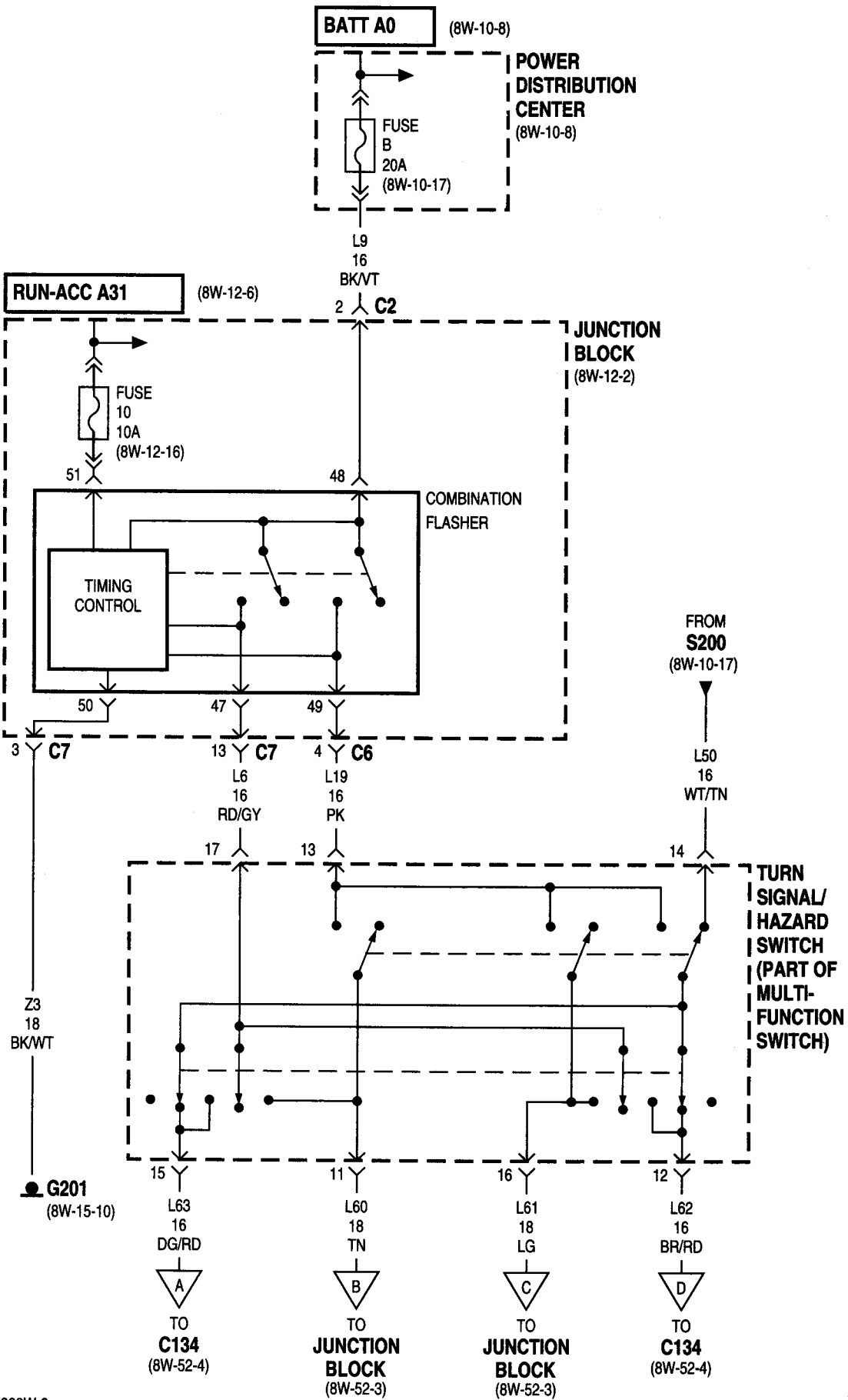




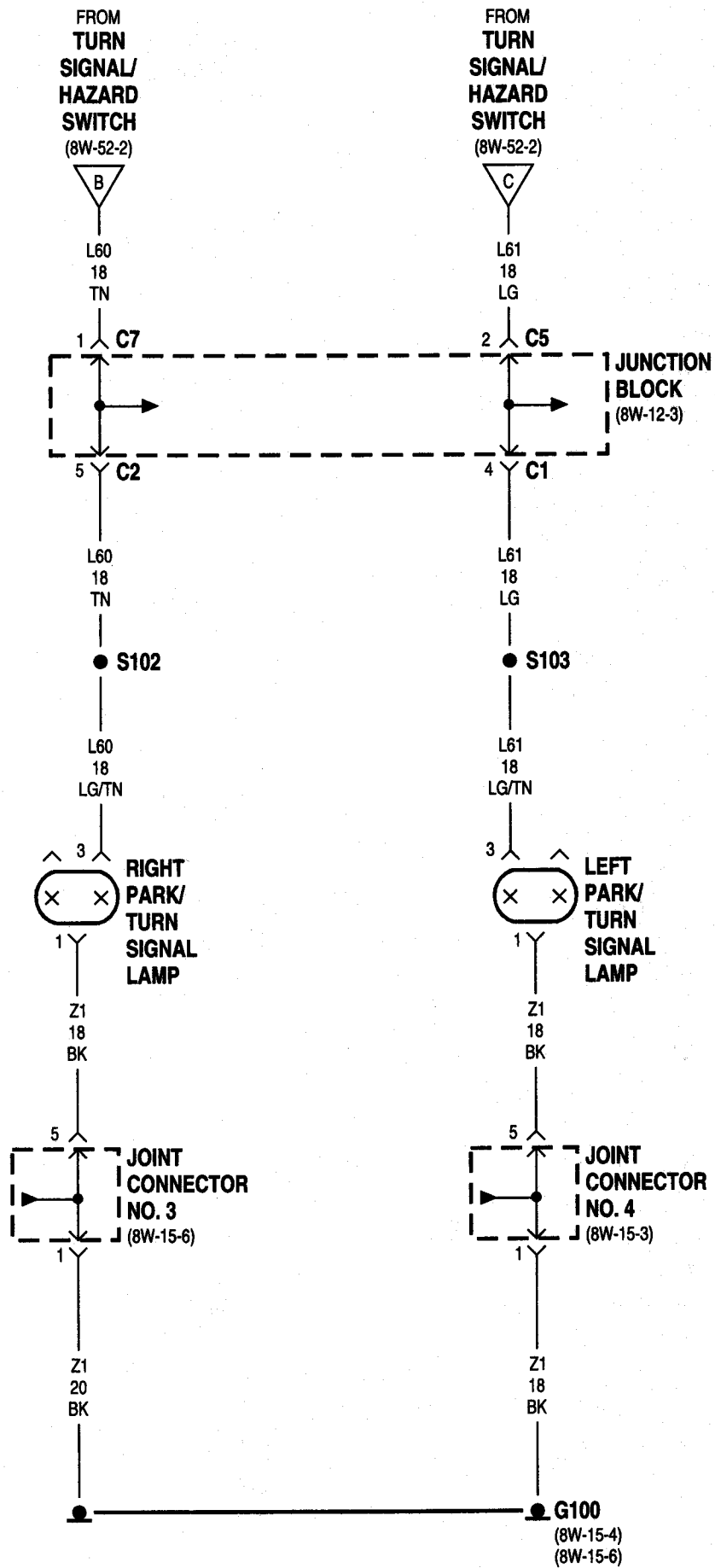


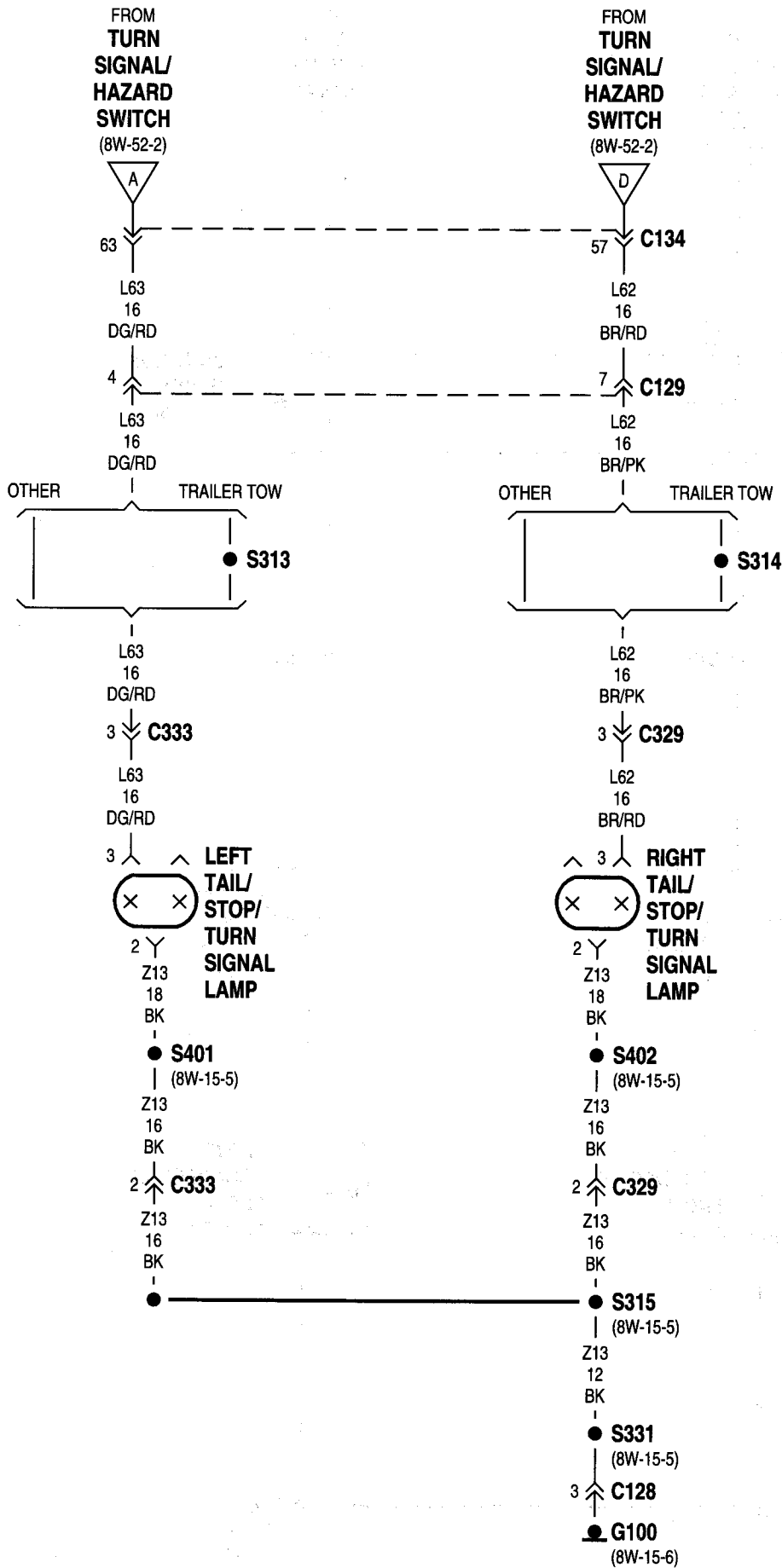
**8W-52 TURN SIGNALS**

<b>Component</b>	<b>Page</b>	<b>Component</b>	<b>Page</b>
Combination Flasher . . . . .	8W-52-2	Junction Block . . . . .	8W-52-2, 3
Fuse 10 (JB) . . . . .	8W-52-2	Left Park/Turn Signal Lamp . . . . .	8W-52-3
Fuse B (PDC) . . . . .	8W-52-2	Left Tail/Stop/Turn Signal Lamp . . . . .	8W-52-4
G100 . . . . .	8W-52-3, 4	Power Distribution Center . . . . .	8W-52-2
G201 . . . . .	8W-52-2	Right Park/Turn Signal Lamp . . . . .	8W-52-3
Joint Connector No. 3 . . . . .	8W-52-3	Right Tail/Stop/Turn Signal Lamp . . . . .	8W-52-4
Joint Connector No. 4 . . . . .	8W-52-3	Turn Signal/Hazard Switch . . . . .	8W-52-2



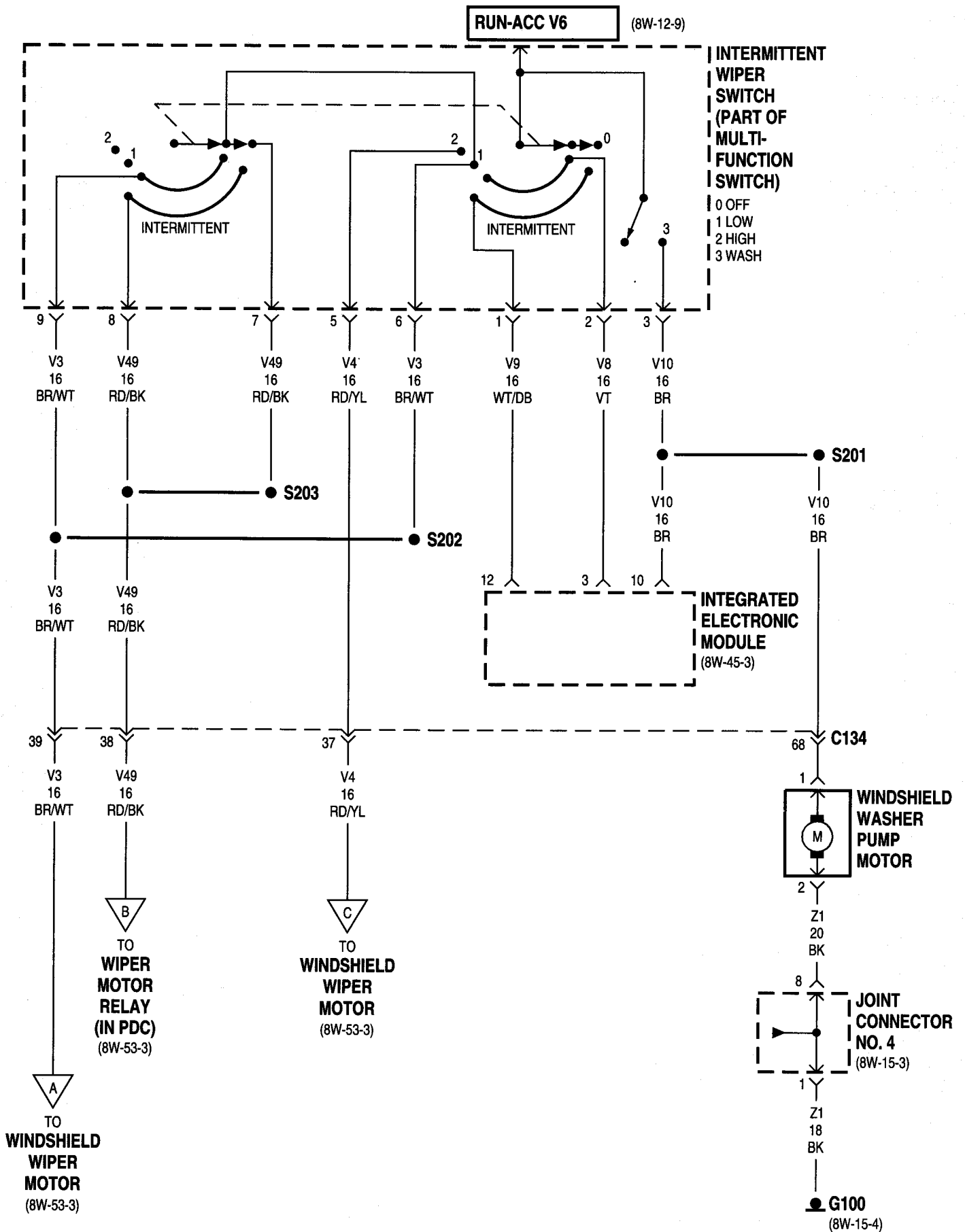


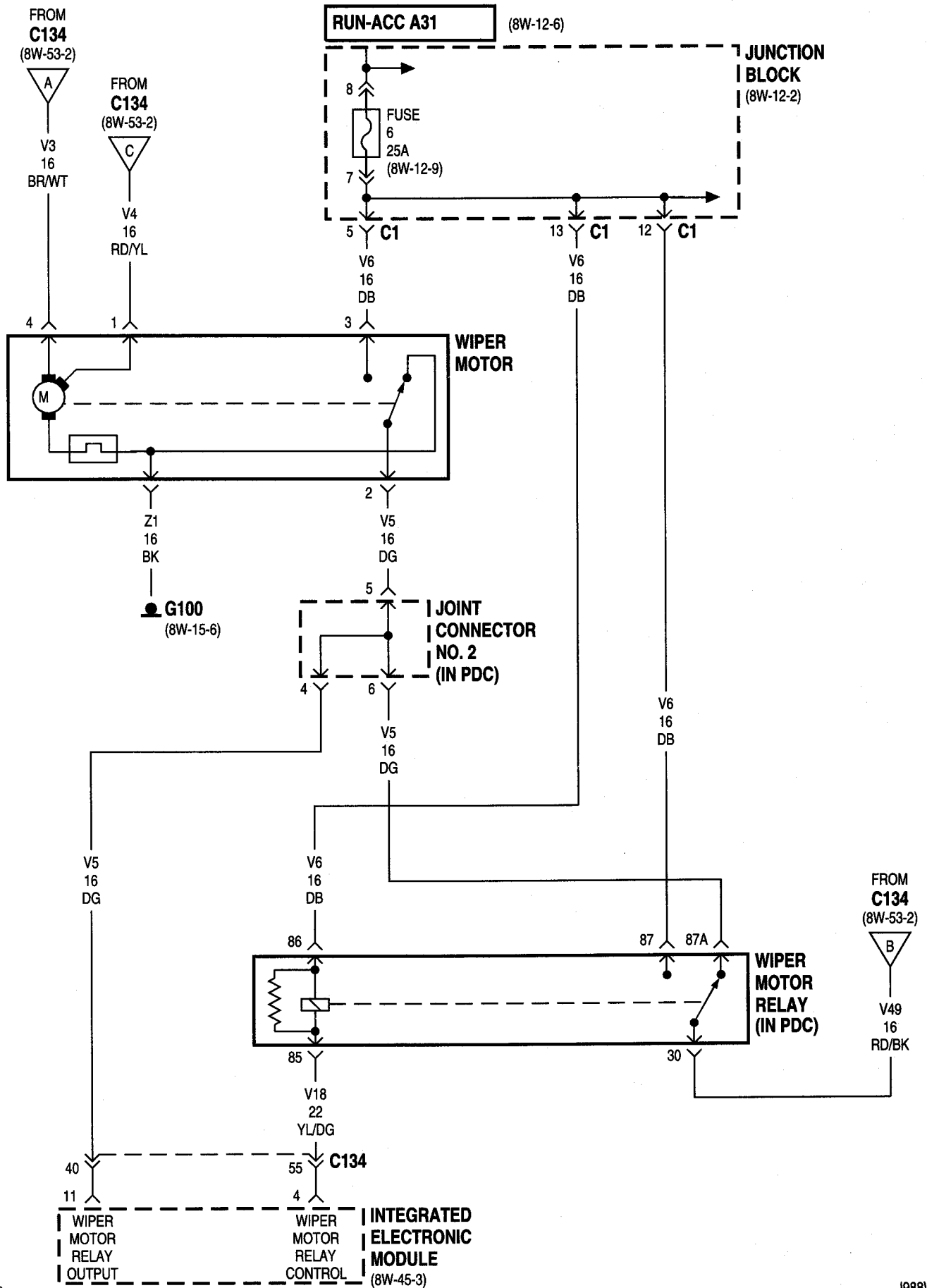


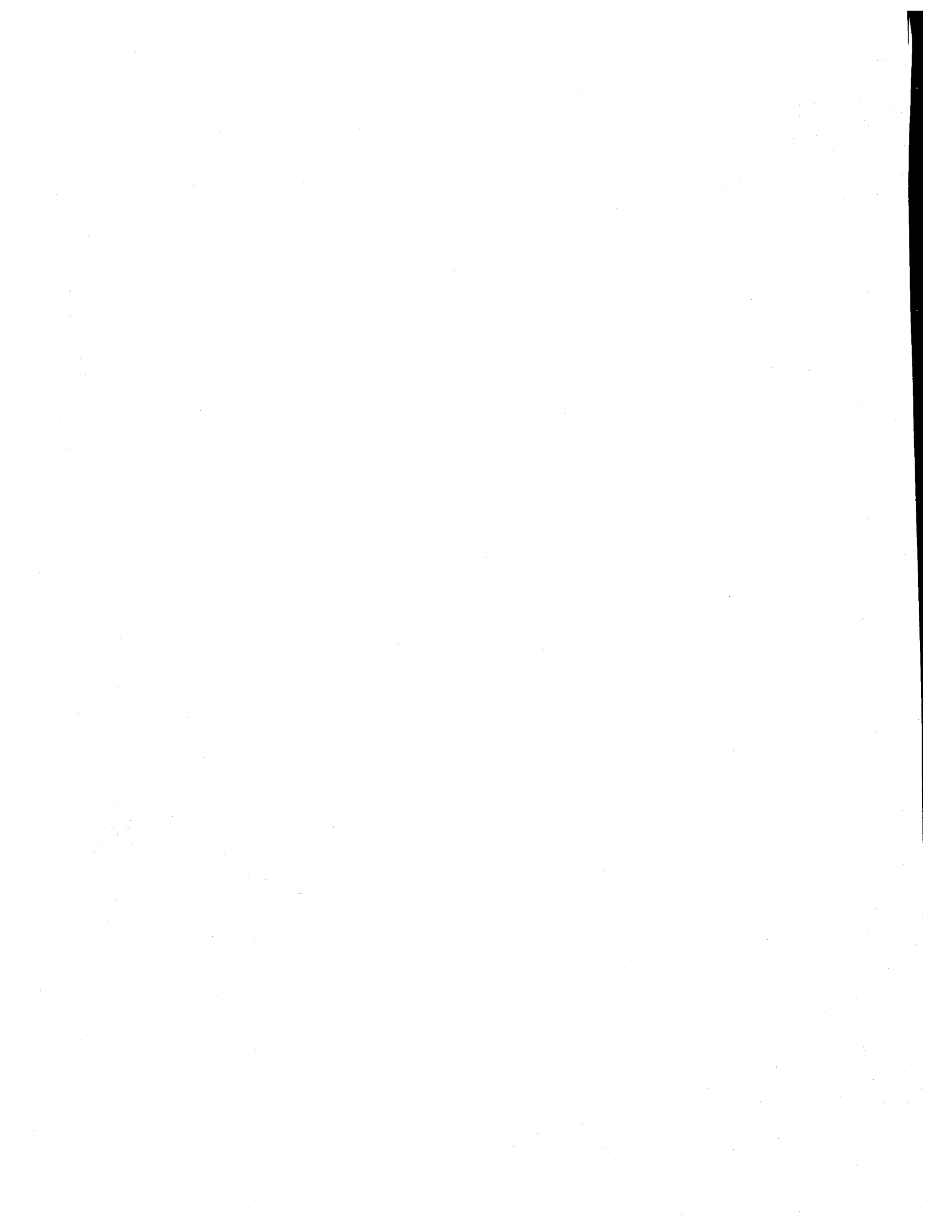


### 8W-53 WIPERS

<b>Component</b>	<b>Page</b>	<b>Component</b>	<b>Page</b>
Fuse 6 (JB) .....	8W-53-3	Joint Connector No. 4 .....	8W-53-2
G100 .....	8W-53-2, 3	Junction Block .....	8W-53-3
Integrated Electronic Module .....	8W-53-2, 3	Windshield Washer Pump Motor .....	8W-53-2
Intermittent Wiper Switch .....	8W-53-2	Wiper Motor .....	8W-53-3
Joint Connector No. 2 .....	8W-53-3	Wiper Motor Relay .....	8W-53-3

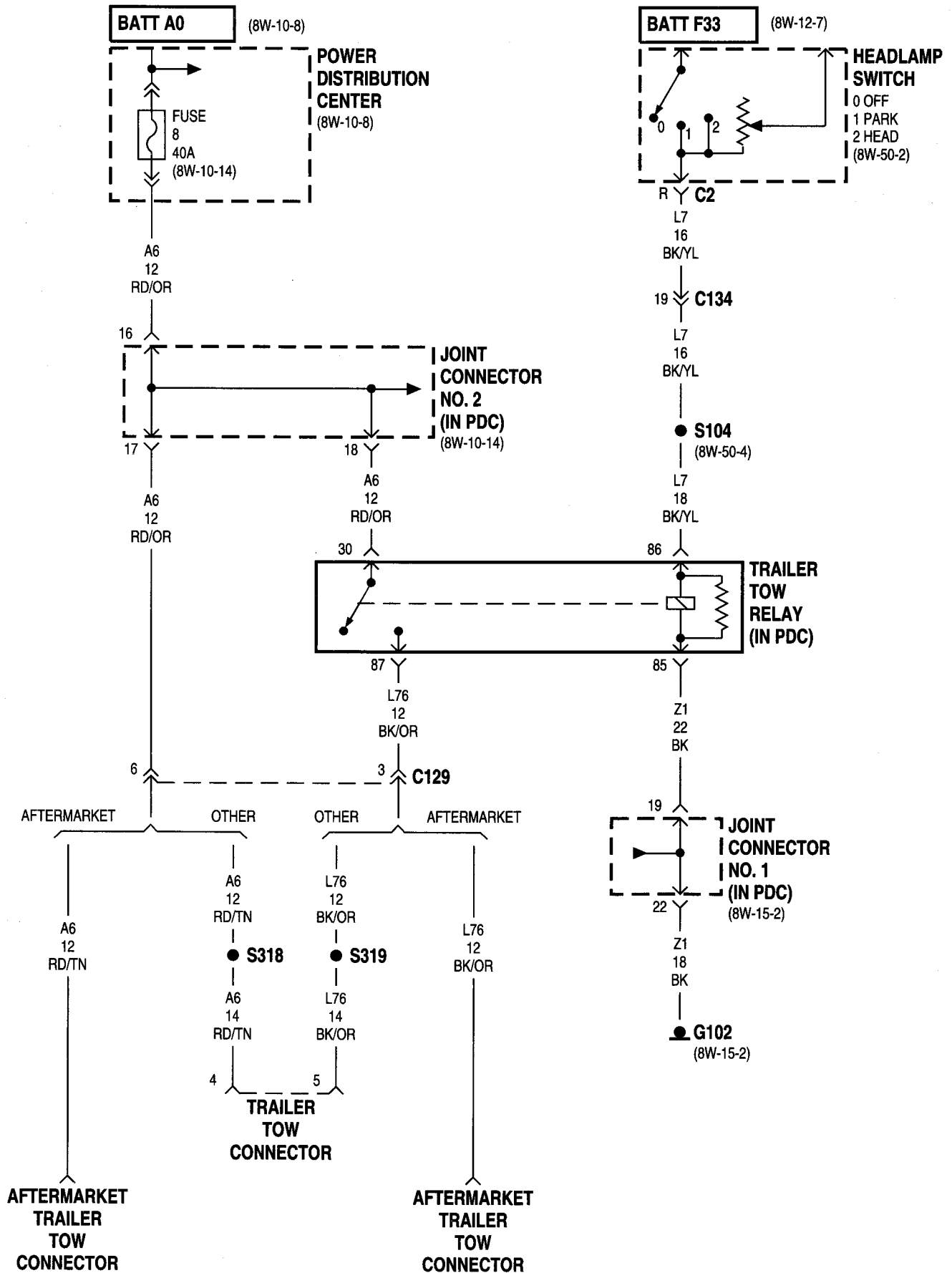




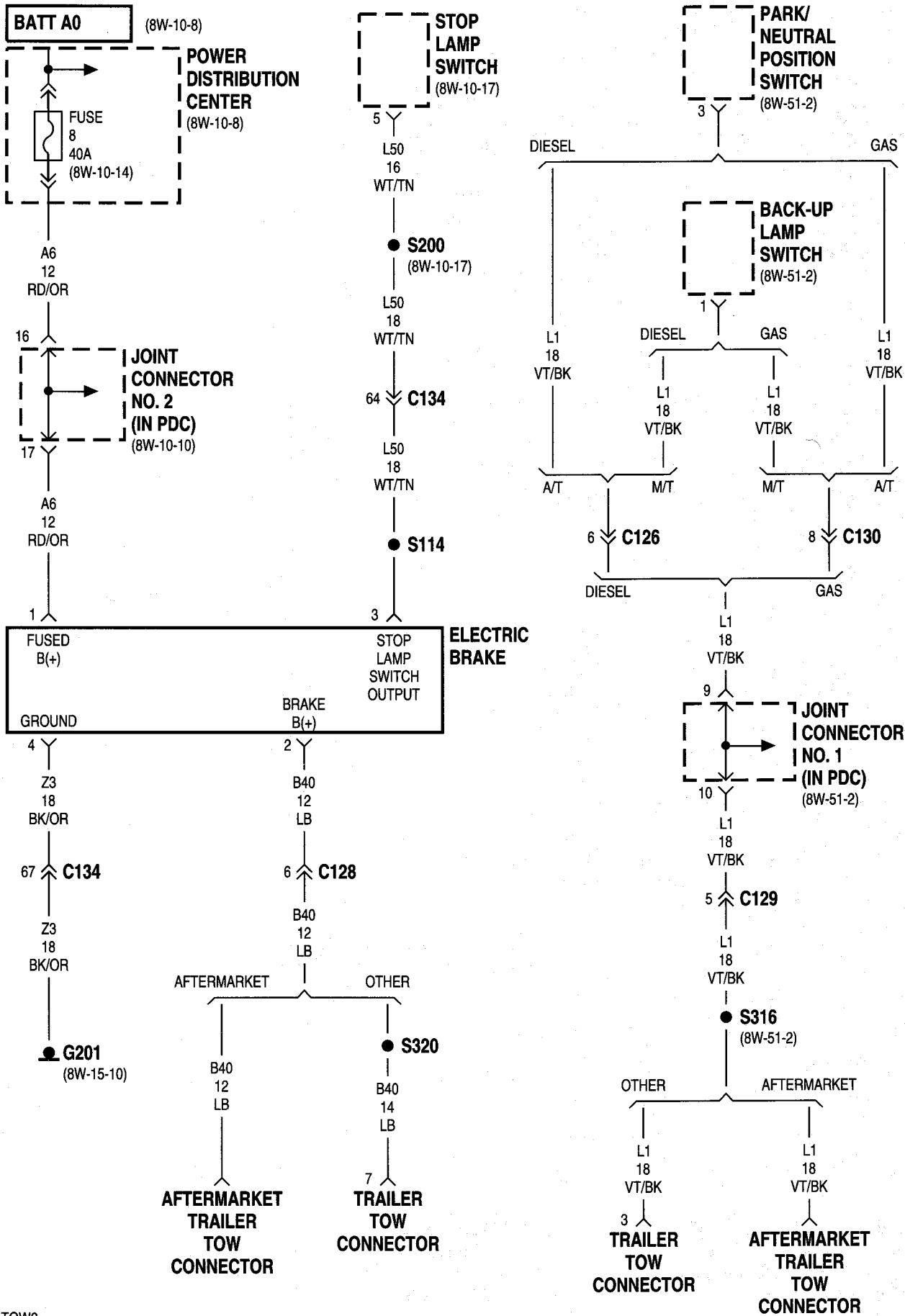


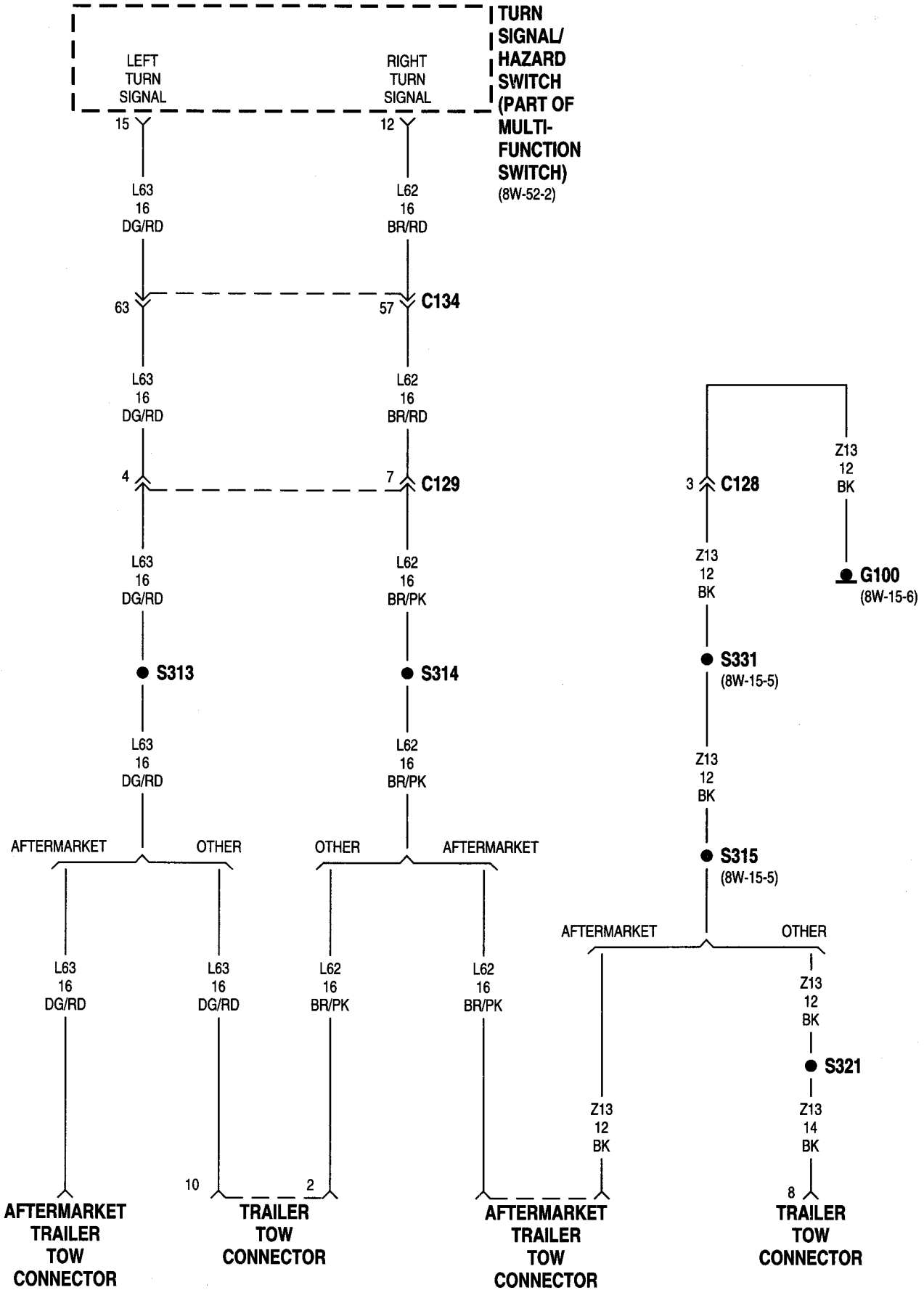
**8W-54 TRAILER TOW**

<b>Component</b>	<b>Page</b>	<b>Component</b>	<b>Page</b>
Aftermarket Trailer Tow Connector . . .	.8W-54-2, 3, 4	Joint Connector No. 1 . . . . .	.8W-54-2, 3
Back-Up Lamp Switch. . . . .	.8W-54-3	Joint Connector No. 2 . . . . .	.8W-54-2, 3
Electric Brake . . . . .	.8W-54-3	Park/Neutral Position Switch . . . . .	.8W-54-3
Fuse 8 (PDC) . . . . .	.8W-54-2, 3	Power Distribution Center. . . . .	.8W-54-2, 3
G100 . . . . .	.8W-54-4	Stop Lamp Switch. . . . .	.8W-54-3
G102 . . . . .	.8W-54-2	Trailer Tow Connector . . . . .	.8W-54-2, 3, 4
G201 . . . . .	.8W-54-3	Trailer Tow Relay . . . . .	.8W-54-2
Headlamp Switch . . . . .	.8W-54-2	Turn Signal/Hazard Switch . . . . .	.8W-54-4





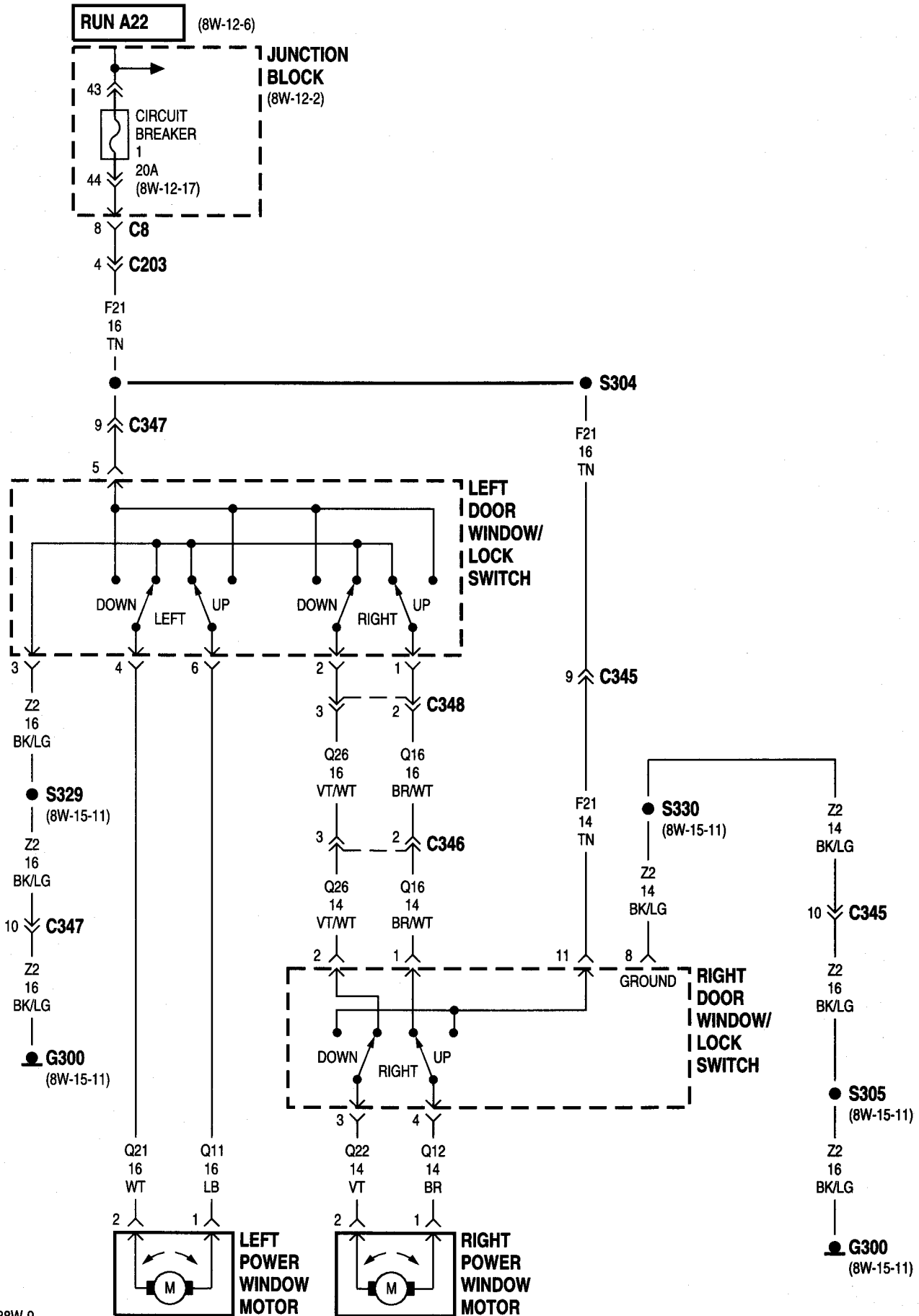




### 8W-60 POWER WINDOWS

<b>Component</b>	<b>Page</b>
Circuit Breaker 1 (JB).....	8W-60-2
G300 .....	8W-60-2
Junction Block.....	8W-60-2
Left Door Window/Lock Switch .....	8W-60-2

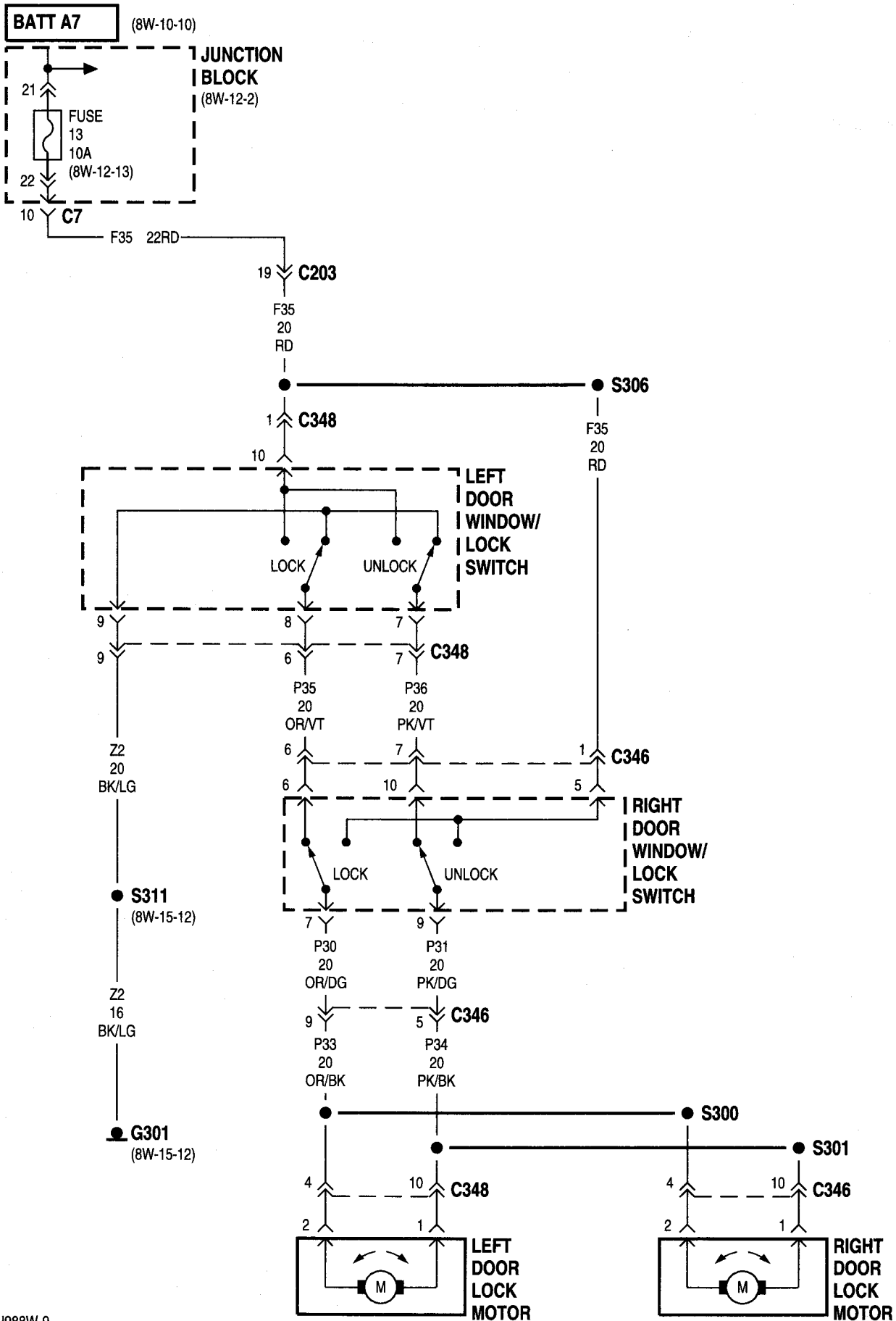
<b>Component</b>	<b>Page</b>
Left Power Window Motor.....	8W-60-2
Right Door Window/Lock Switch .....	8W-60-2
Right Power Window Motor.....	8W-60-2



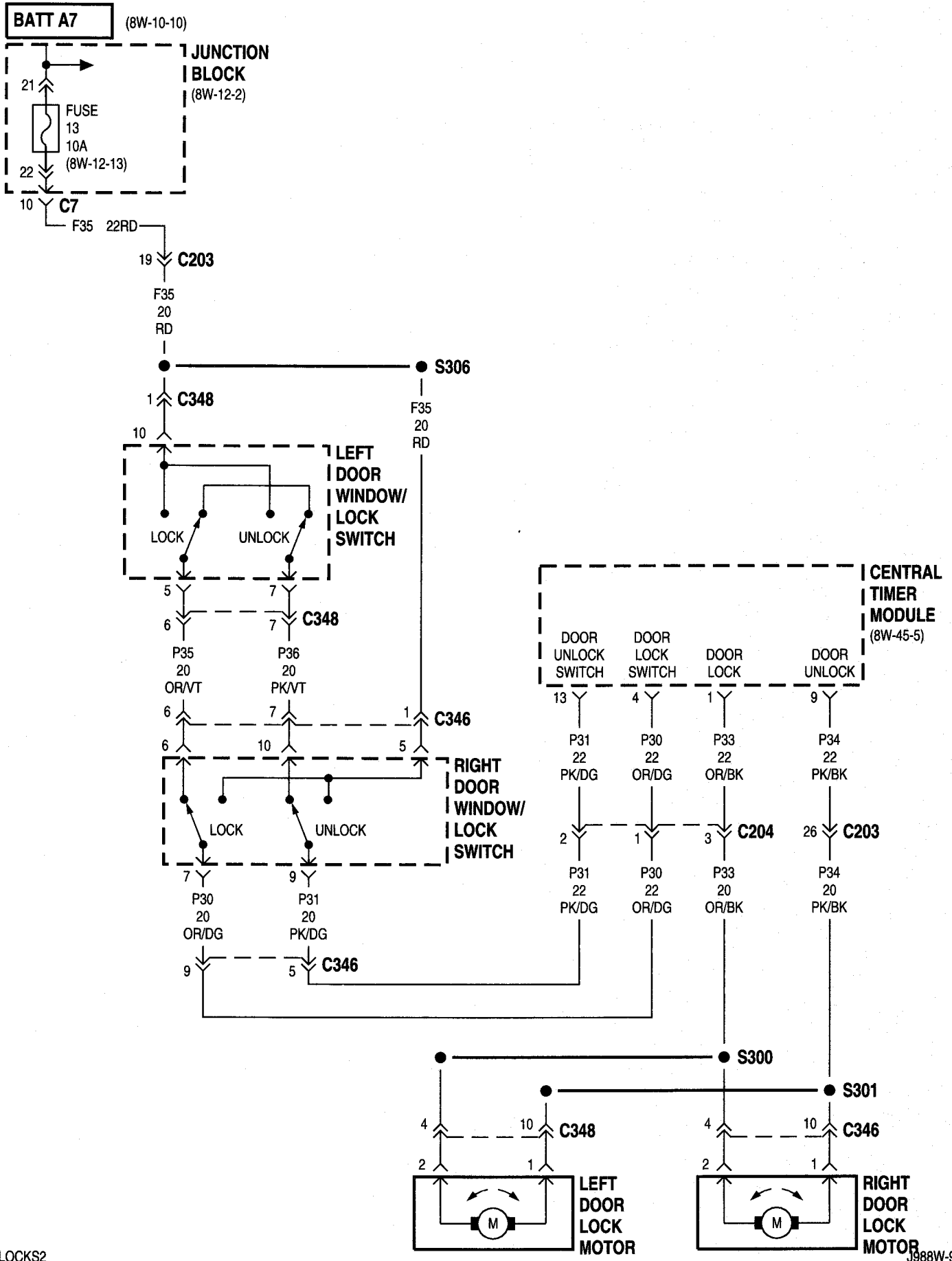
### 8W-61 POWER DOOR LOCKS

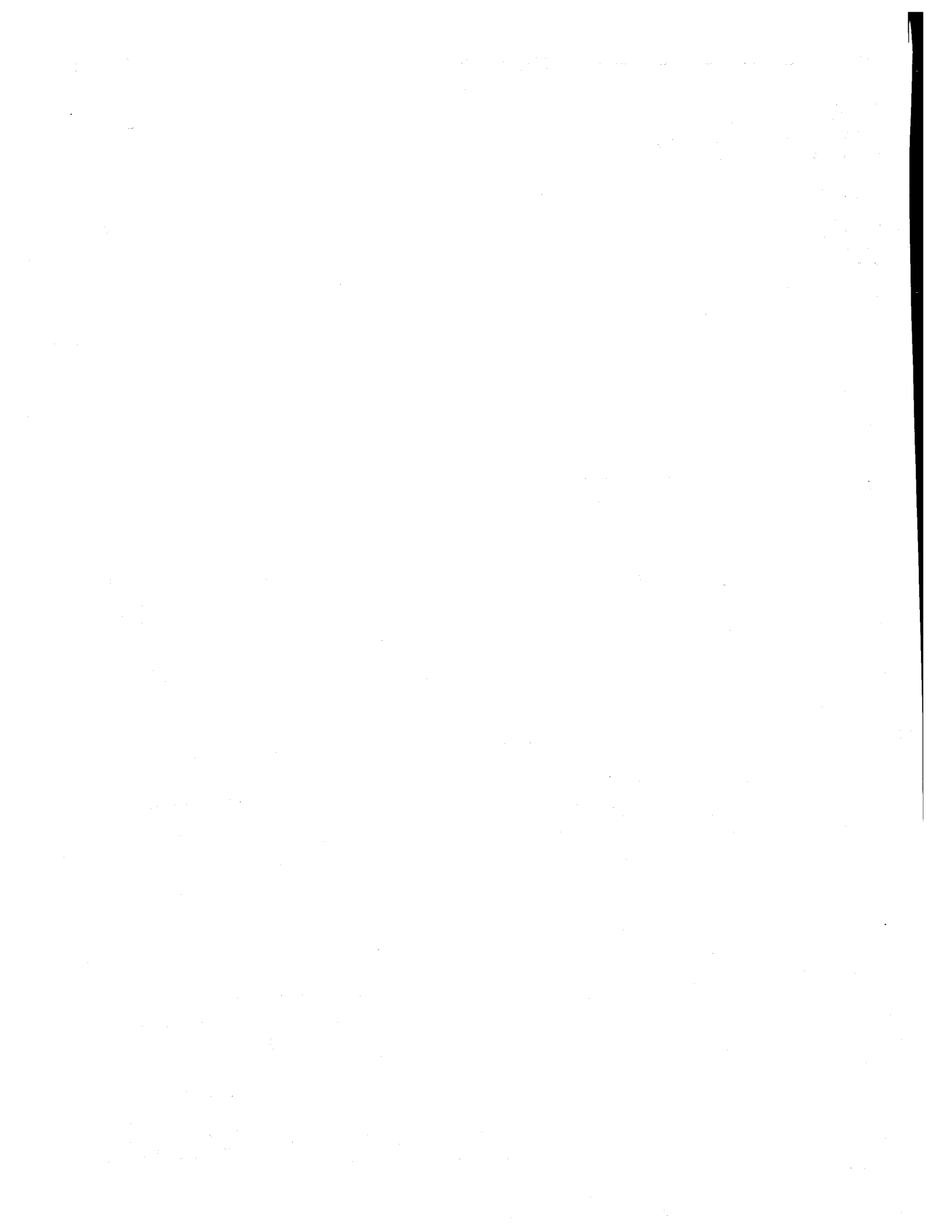
<b>Component</b>	<b>Page</b>
Central Timer Module.....	.8W-61-3
Fuse 13 (JB) .....	.8W-61-2, 3
G301 .....	.8W-61-2
Junction Block.....	.8W-61-2, 3

<b>Component</b>	<b>Page</b>
Left Door Lock Motor .....	.8W-61-2, 3
Left Door Window/Lock Switch .....	.8W-61-2, 3
Right Door Lock Motor .....	.8W-61-2, 3
Right Door Window/Lock Switch.....	.8W-61-2, 3



CTM





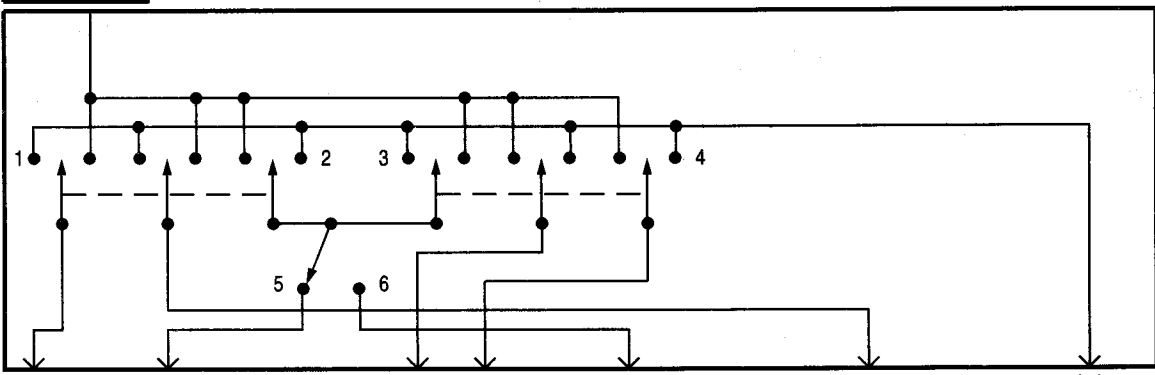


### 8W-62 POWER MIRRORS

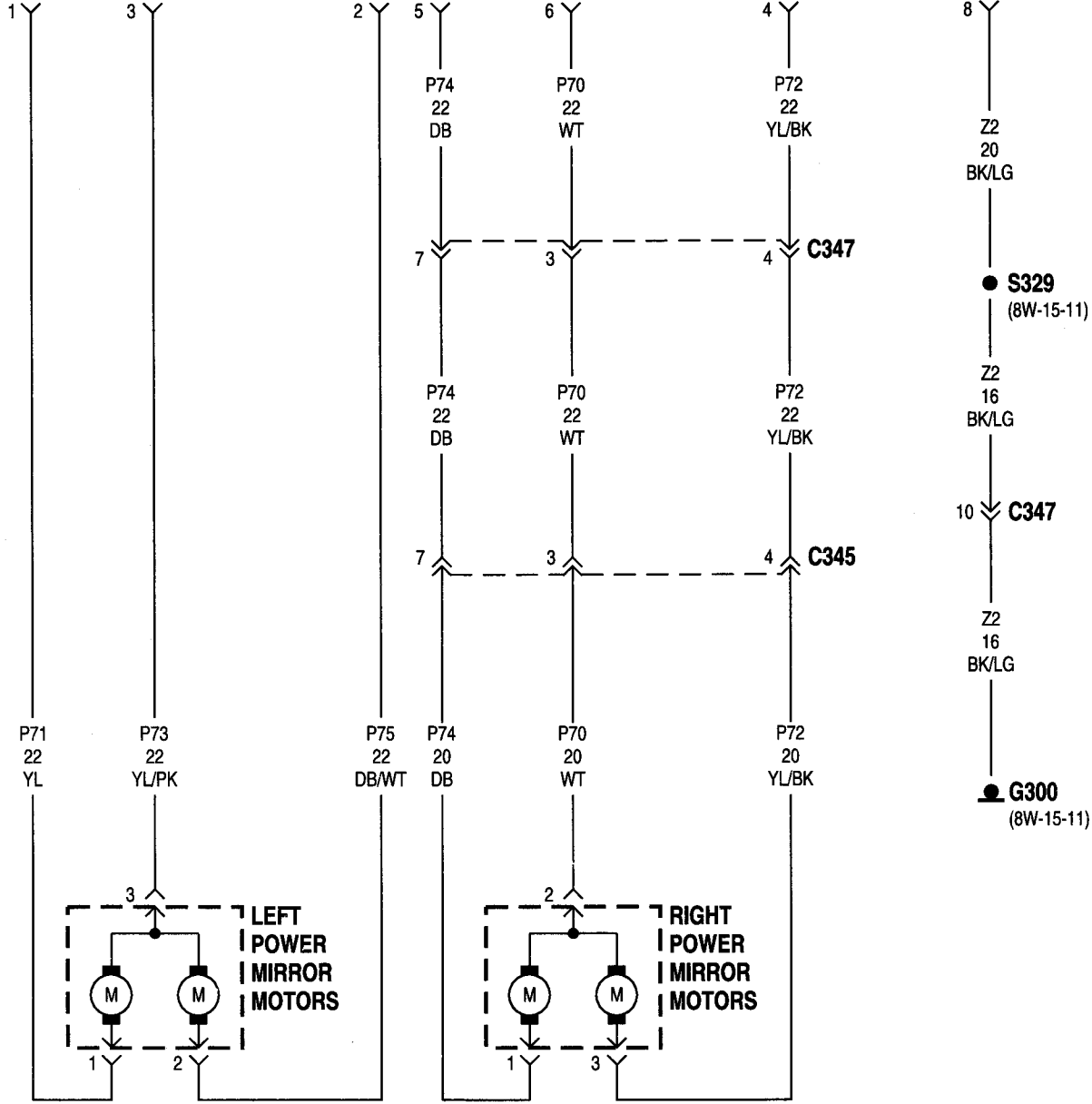
Component	Page
G201 .....	.8W-62-3
G300 .....	.8W-62-2, 3
Heated Mirror Switch .....	.8W-62-3
Joint Connector No. 5 .....	.8W-62-3

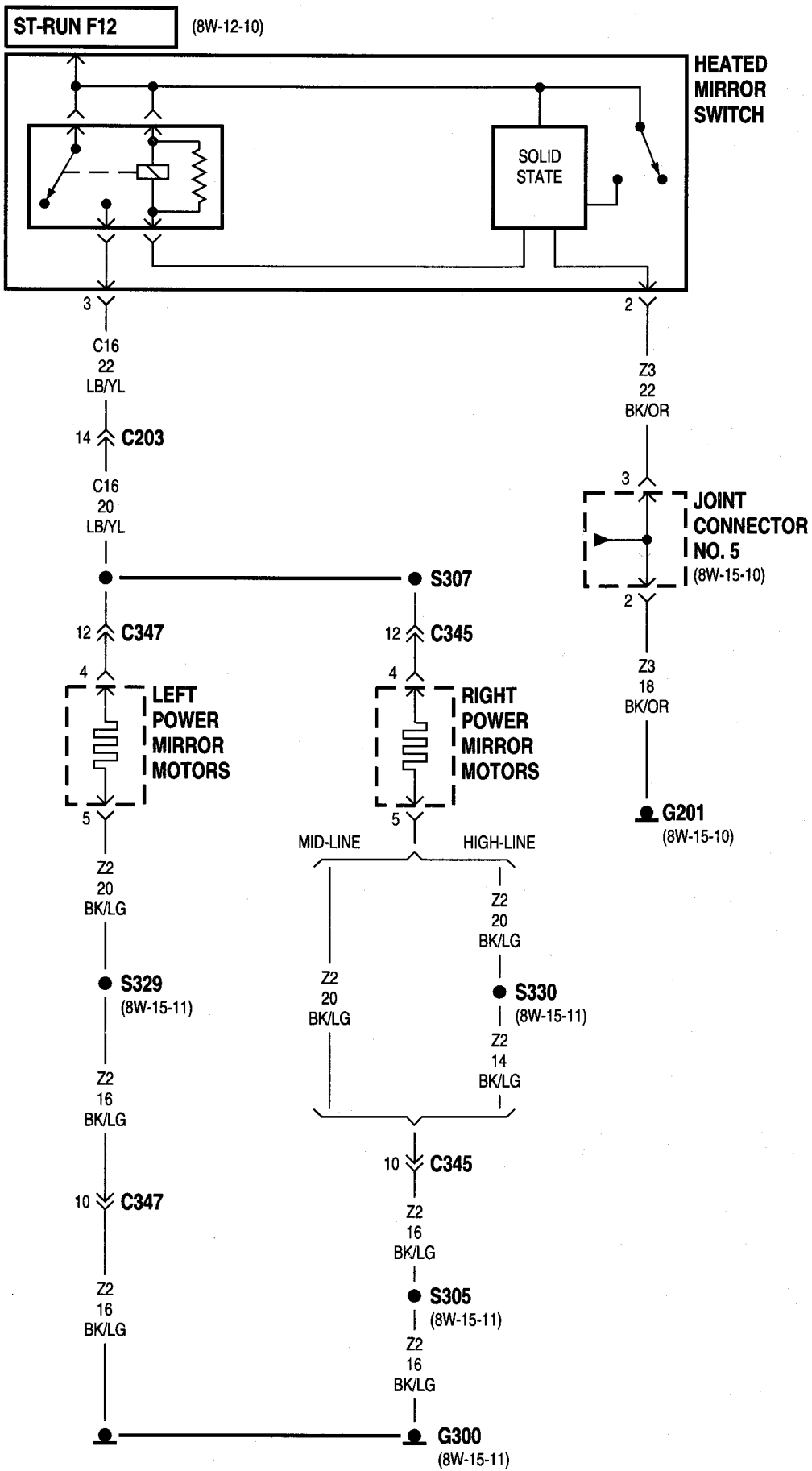
Component	Page
Left Power Mirror Motors .....	.8W-62-2, 3
Power Mirror Switch .....	.8W-62-2
Right Power Mirror Motors .....	.8W-62-2, 3

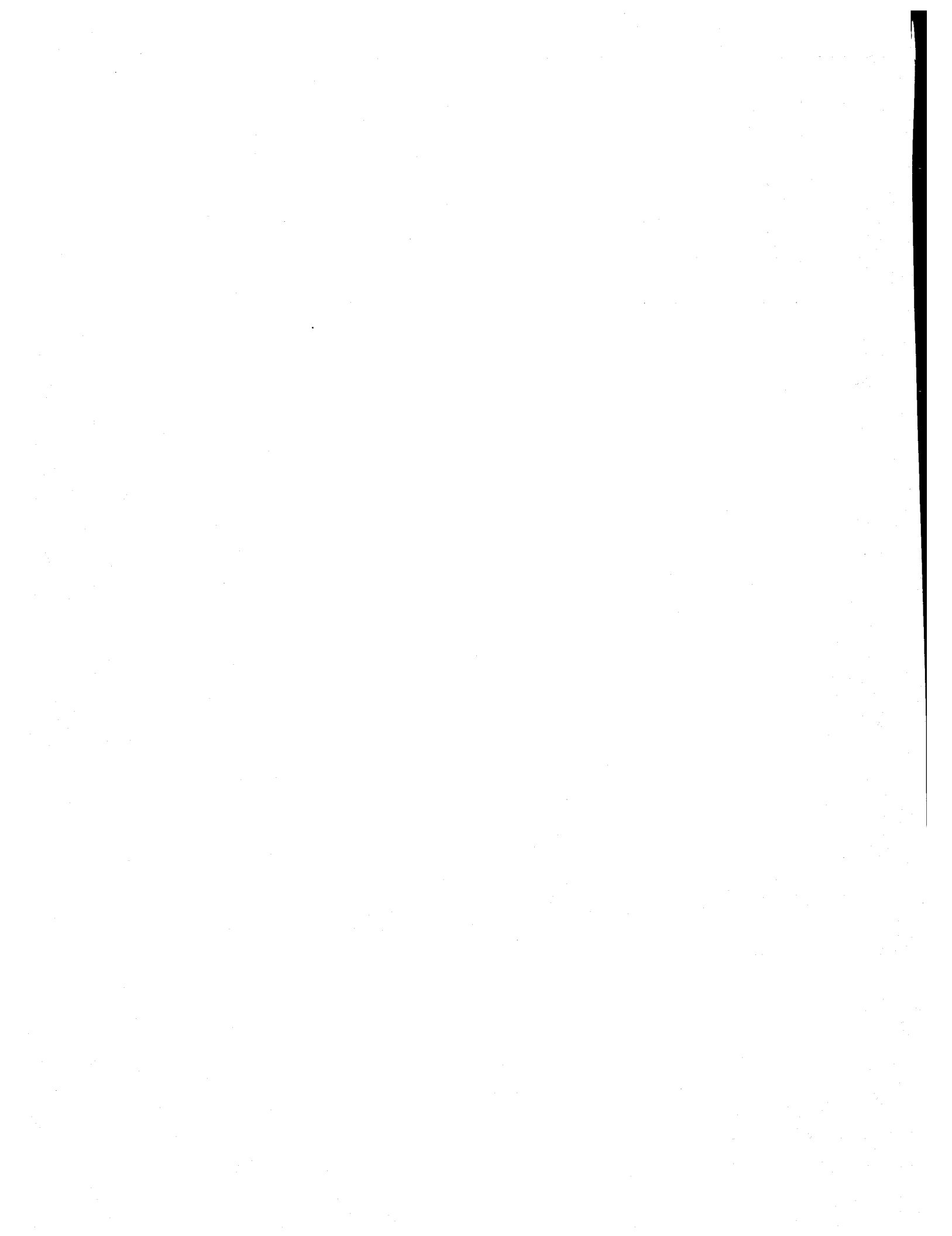
**BATT M1** (8W-12-12)



- POWER MIRROR SWITCH**
- 1 DOWN
  - 2 UP
  - 3 LEFT
  - 4 RIGHT
  - 5 LEFT MIRROR
  - 6 RIGHT MIRROR

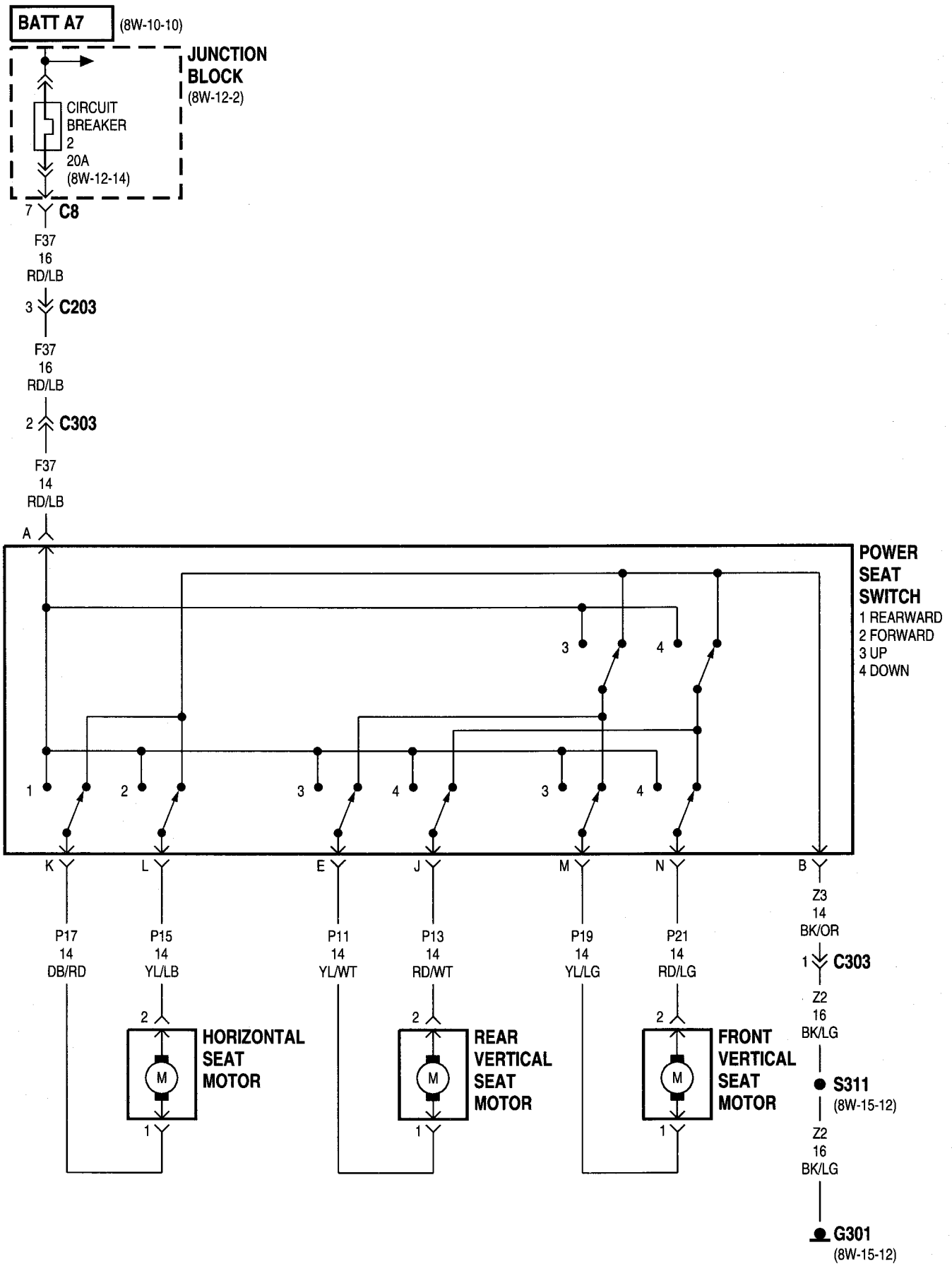






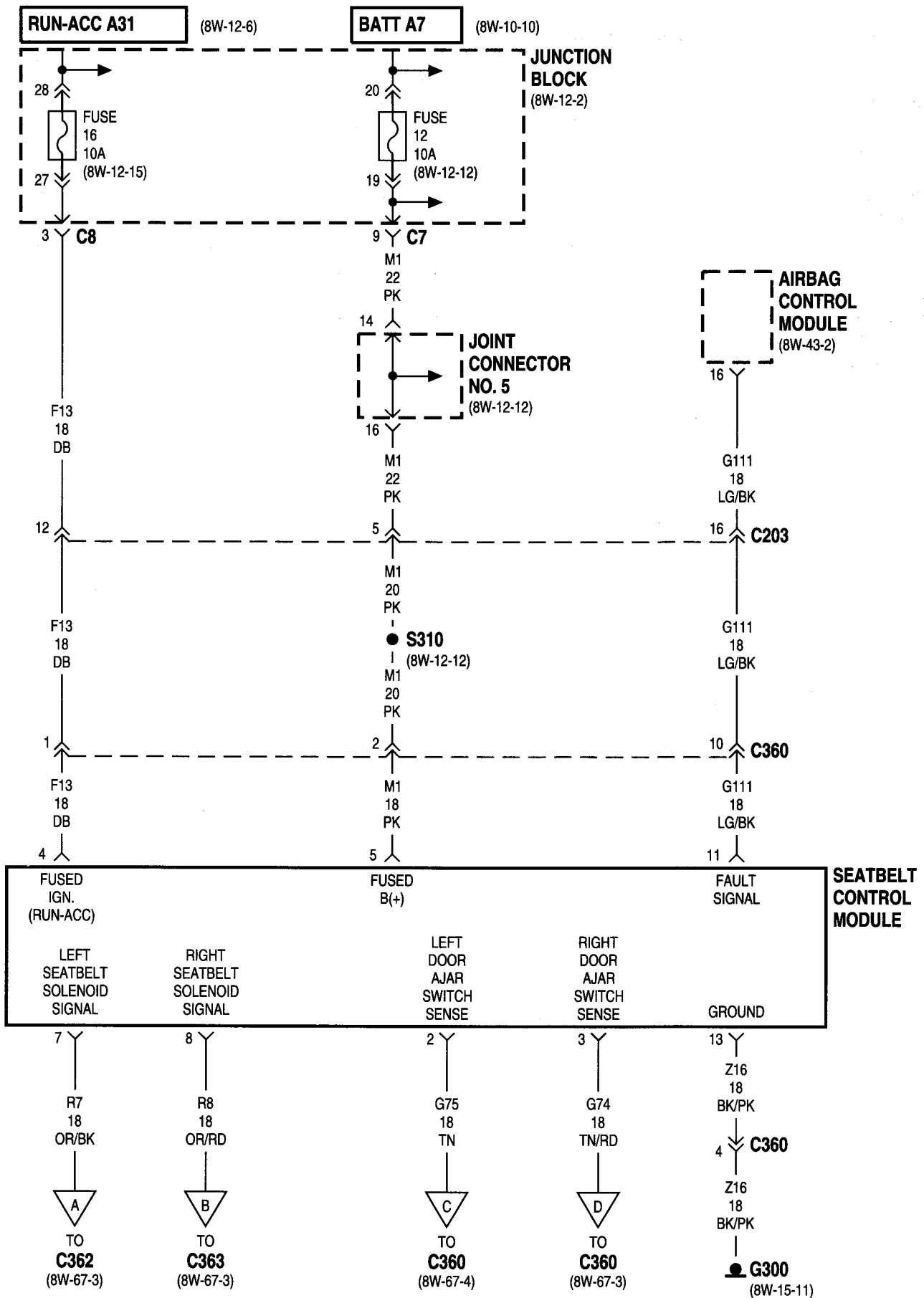
**8W-63 POWER SEAT**

<b>Component</b>	<b>Page</b>	<b>Component</b>	<b>Page</b>
Circuit Breaker 2 (JB) . . . . .	.8W-63-2	Junction Block . . . . .	.8W-63-2
Front Vertical Seat Motor . . . . .	.8W-63-2	Power Seat Switch . . . . .	.8W-63-2
G301 . . . . .	.8W-63-2	Rear Vertical Seat Motor . . . . .	.8W-63-2
Horizontal Seat Motor . . . . .	.8W-63-2		

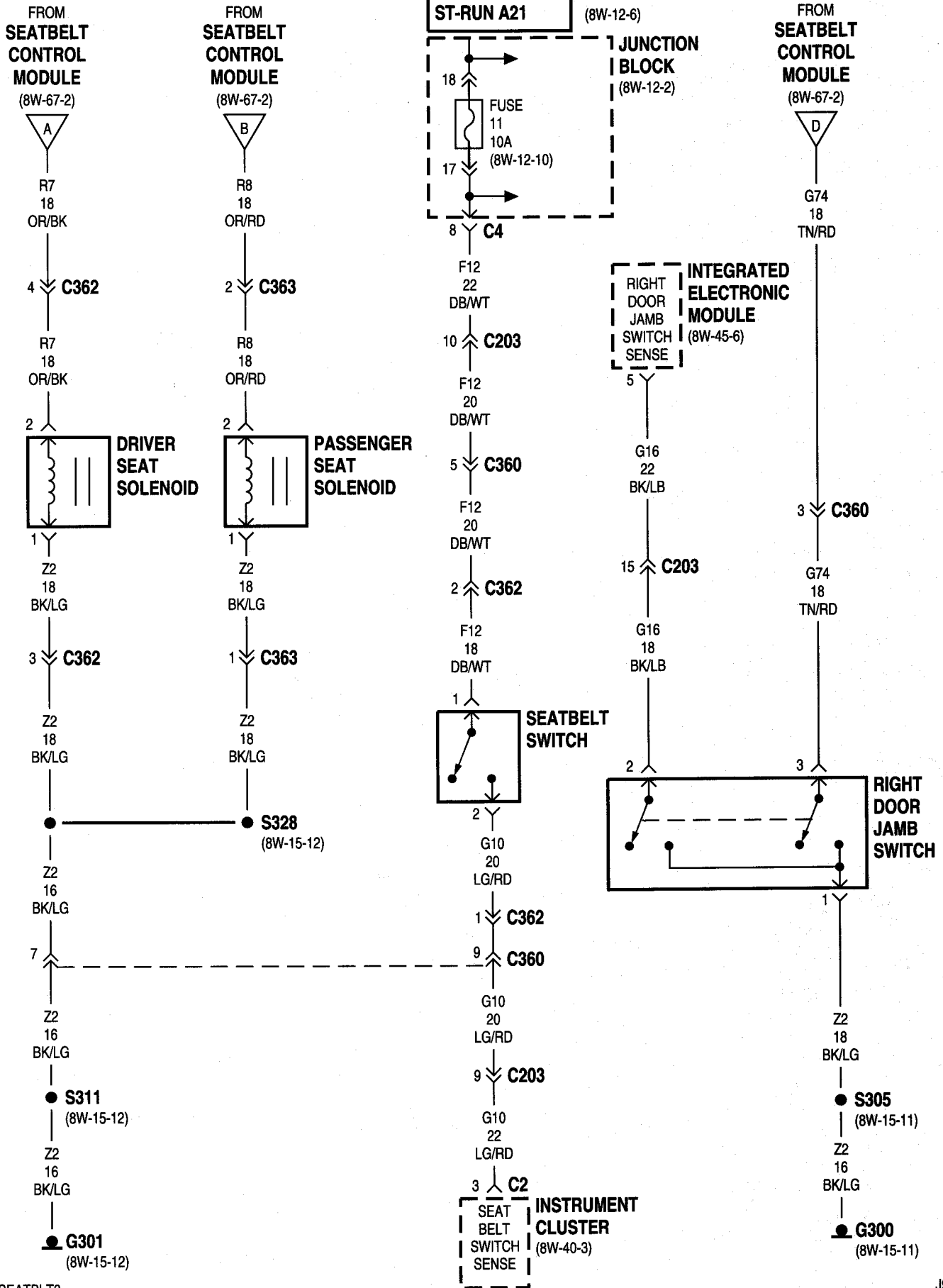


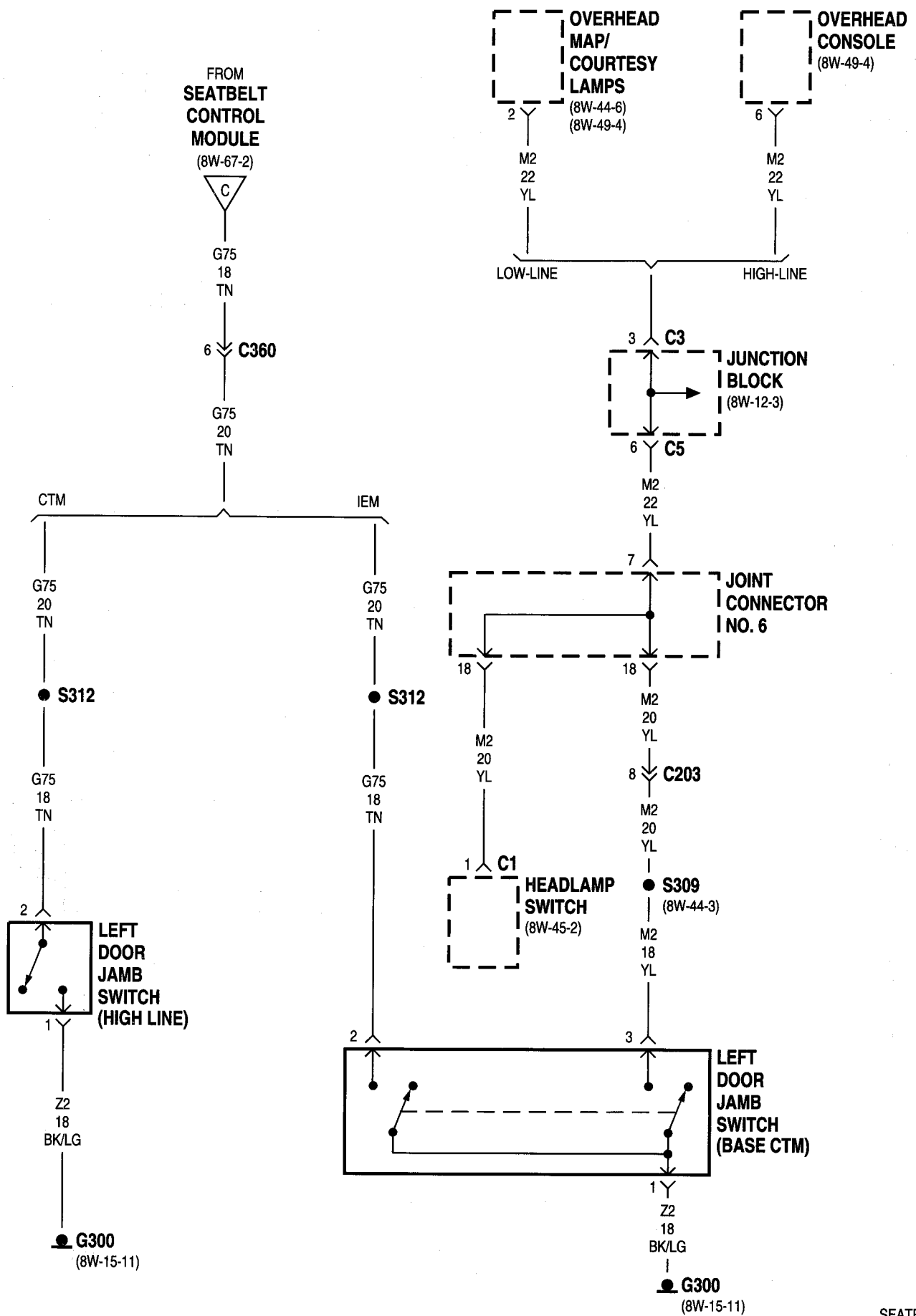
**8W-67 RESTRAINT SYSTEM**

<b>Component</b>	<b>Page</b>	<b>Component</b>	<b>Page</b>
Airbag Control Module . . . . .	.8W-67-2	Joint Connector No. 5 . . . . .	.8W-67-2
Driver Seat Solenoid . . . . .	.8W-67-3	Joint Connector No. 6 . . . . .	.8W-67-4
Fuse 11 (JB) . . . . .	.8W-67-3	Junction Block . . . . .	.8W-67-2, 3, 4
Fuse 12 (JB) . . . . .	.8W-67-2	Left Door Jamb Switch . . . . .	.8W-67-4
Fuse 16 (JB) . . . . .	.8W-67-2	Overhead Console . . . . .	.8W-67-4
G111 . . . . .	.8W-67-2	Overhead Map/Courtesy Lamps . . . . .	.8W-67-4
G300 . . . . .	.8W-67-2, 3, 4	Passenger Seat Solenoid . . . . .	.8W-67-3
G301 . . . . .	.8W-67-3	Right Door Jamb Switch . . . . .	.8W-67-3
Headlamp Switch . . . . .	.8W-67-4	Seatbelt Control Module . . . . .	.8W-67-2
Instrument Cluster . . . . .	.8W-67-3	Seatbelt Switch . . . . .	.8W-67-3
Integrated Electronic Module . . . . .	.8W-67-3		



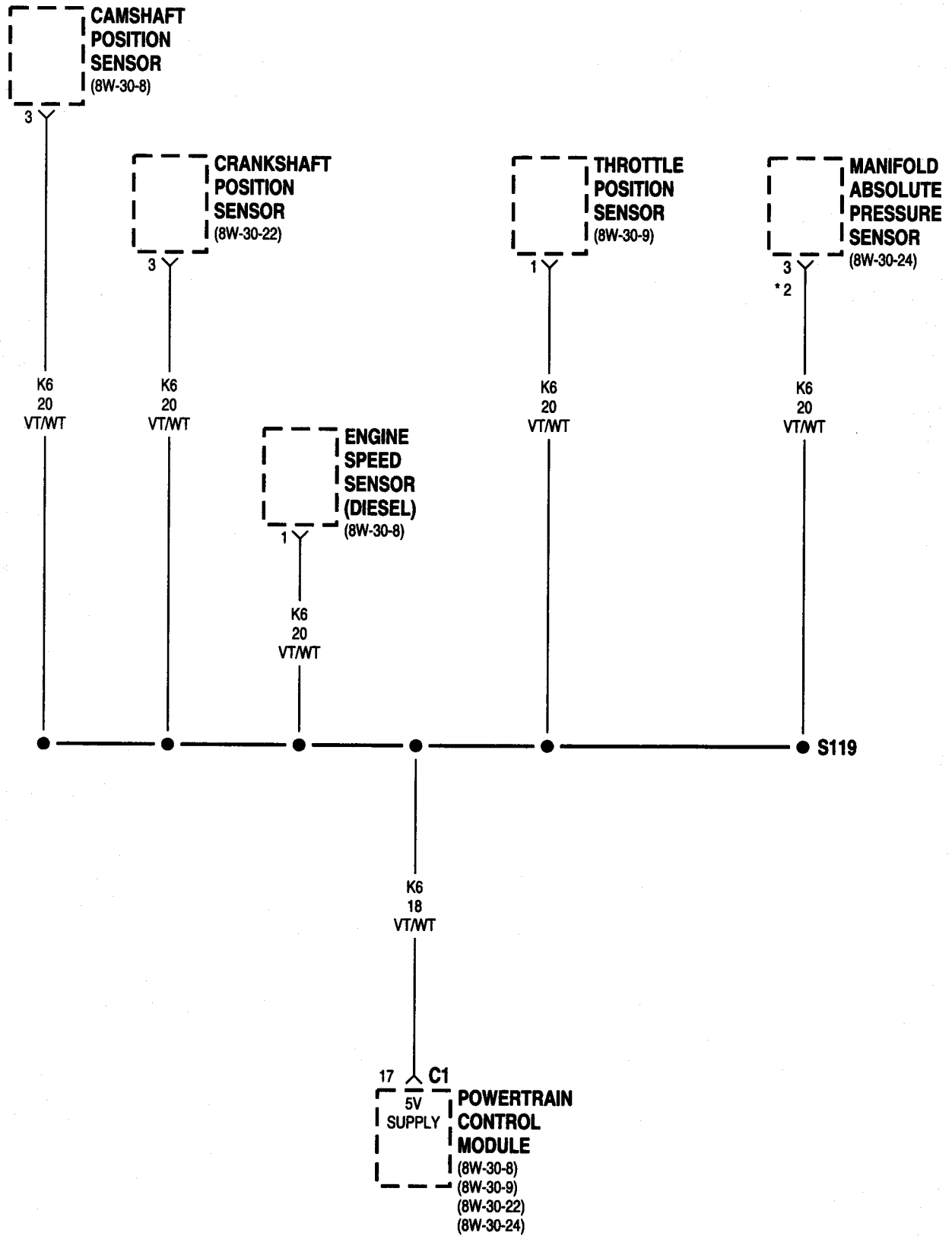




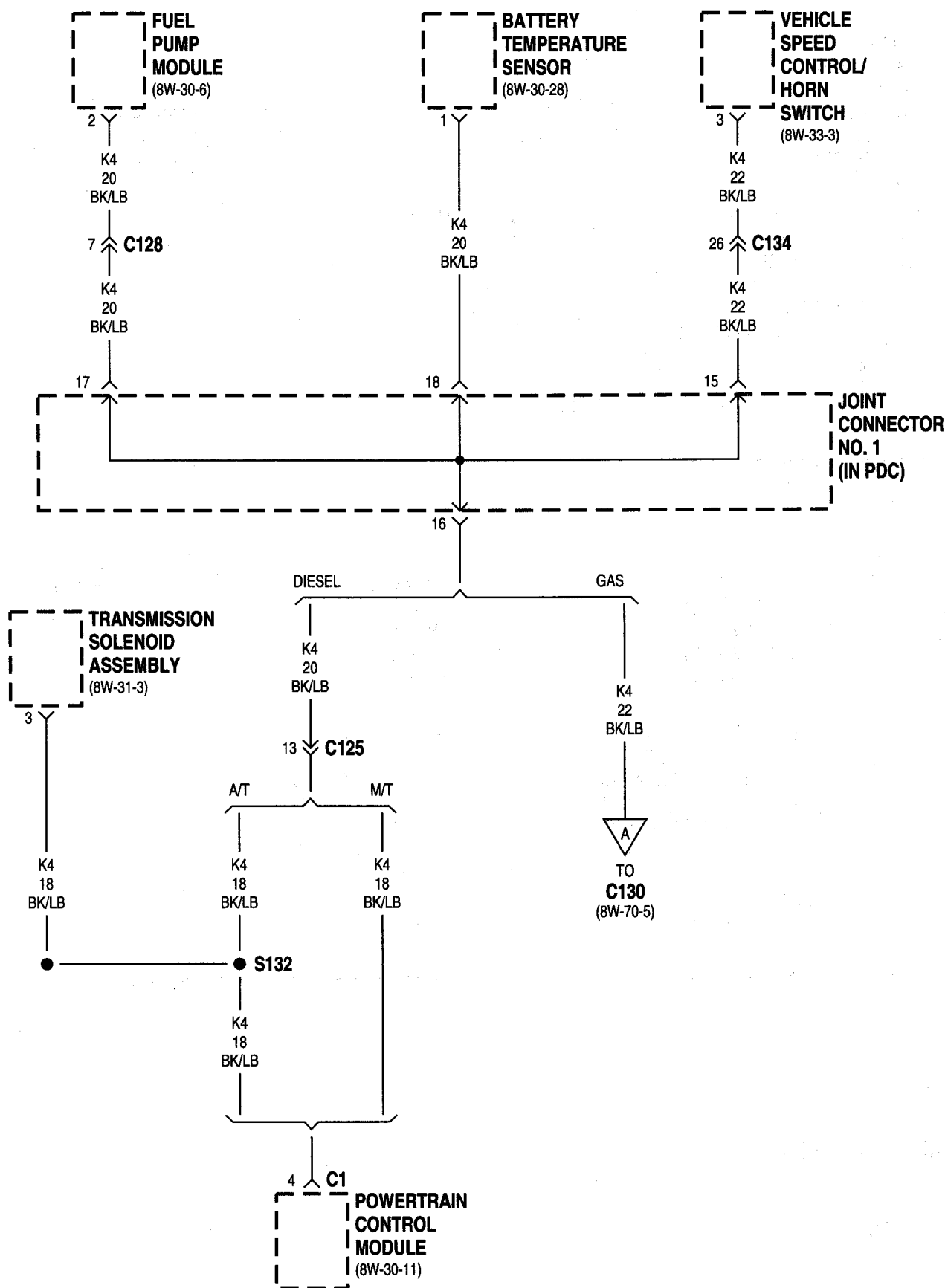


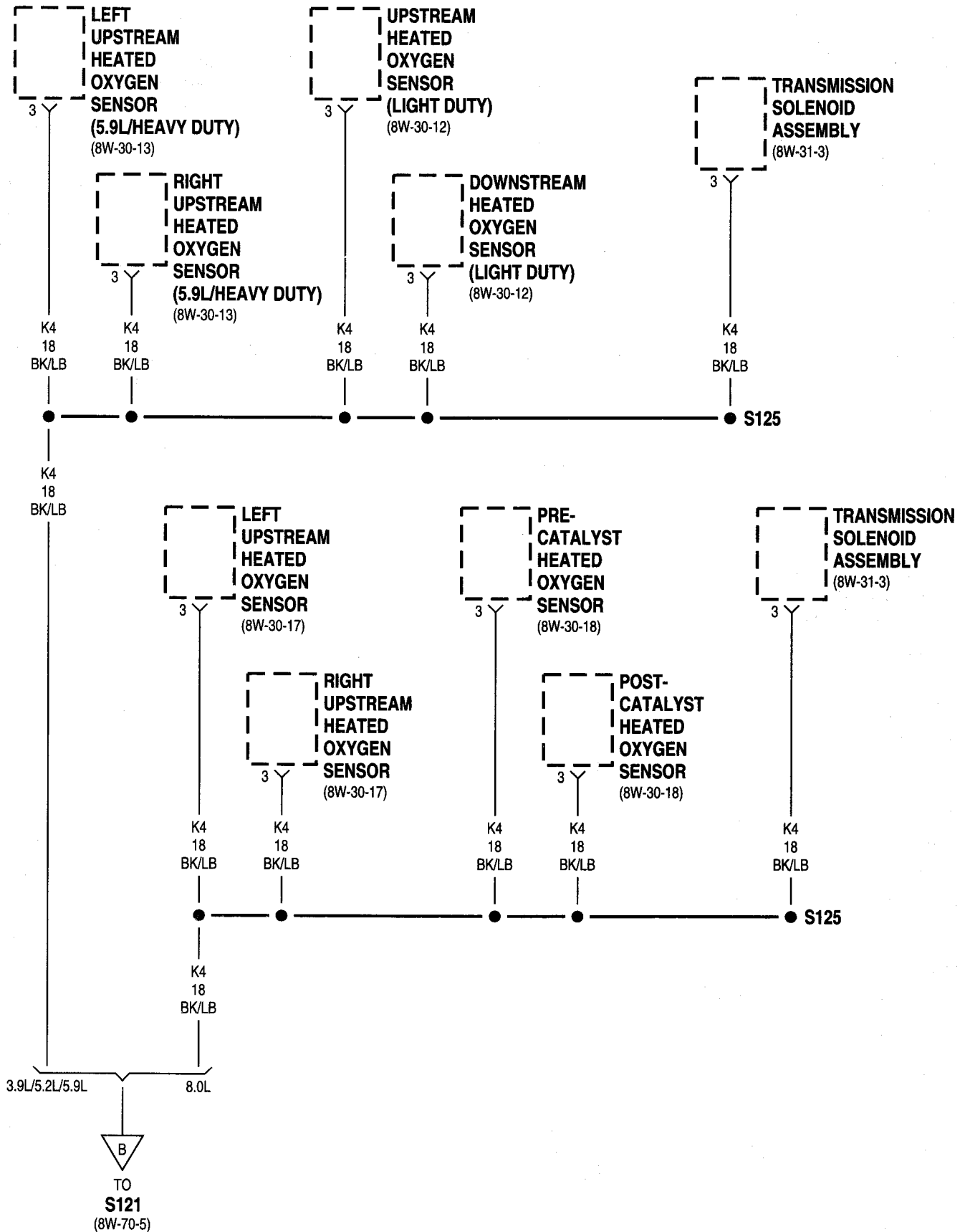
## 8W-70 SPLICE INFORMATION

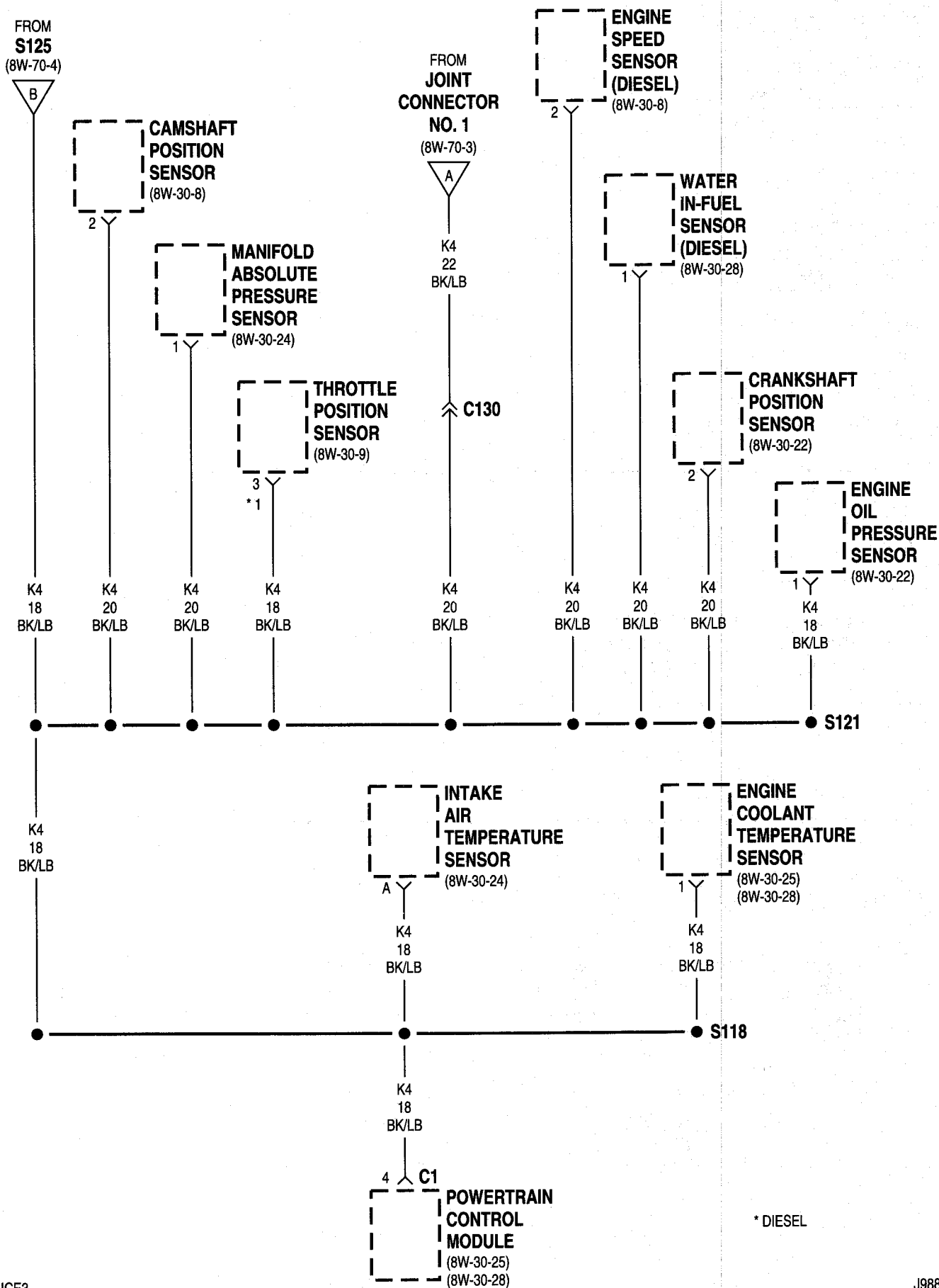
Component	Page	Component	Page
S101	.8W-50-4	S206	.8W-12-18
S102	.8W-52-3	S207	.8W-42-2
S103	.8W-52-3	S208	.8W-43-2
S104	.8W-50-4	S300	.8W-45-5
S105	.8W-12-10	S301	.8W-45-5
S106	.8W-70-8	S302	.8W-15-4
S107	.8W-12-11	S303	.8W-47-6
S108	.8W-12-18	S304	.8W-60-2
S110	.8W-50-5	S305	.8W-15-11
S112	.8W-15-4	S306	.8W-45-5
S113	.8W-10-15	S307	.8W-62-3
S114	.8W-10-17	S308	.8W-39-3
S115	.8W-50-6	S309	.8W-44-3
S116	.8W-31-2	S310	.8W-12-12
S117	.8W-70-6, 7	S311	.8W-15-12
S118	.8W-70-5	S312	.8W-67-4
S119	.8W-70-2	S313	.8W-51-4
S120	.8W-42-3	S314	.8W-51-4
S121	.8W-70-5	S315	.8W-15-5
S122	.8W-15-7	S316	.8W-51-2
S123	.8W-70-6, 7	S317	.8W-51-4
S124	.8W-10-13	S318	.8W-54-2
S125	.8W-70-4	S319	.8W-54-2
S126	.8W-15-7, 8	S320	.8W-54-3
S127	.8W-21-3	S321	.8W-54-4
S128	.8W-15-8	S322	.8W-50-7
S129	.8W-15-8	S323	.8W-15-10
S130	.8W-12-11	S324	.8W-49-2
S131	.8W-70-7	S325	.8W-15-13
S132	.8W-70-3	S326	.8W-12-12
S133	.8W-12-11	S328	.8W-15-12
S134	.8W-50-5	S329	.8W-15-11
S153	.8W-40-6	S330	.8W-15-11
S200	.8W-10-17	S331	.8W-15-5
S201	.8W-53-2	S401	.8W-15-5
S202	.8W-53-2	S402	.8W-15-5
S203	.8W-53-2	S403	.8W-30-27
S204	.8W-15-4	S404	.8W-30-27
S205	.8W-12-8		

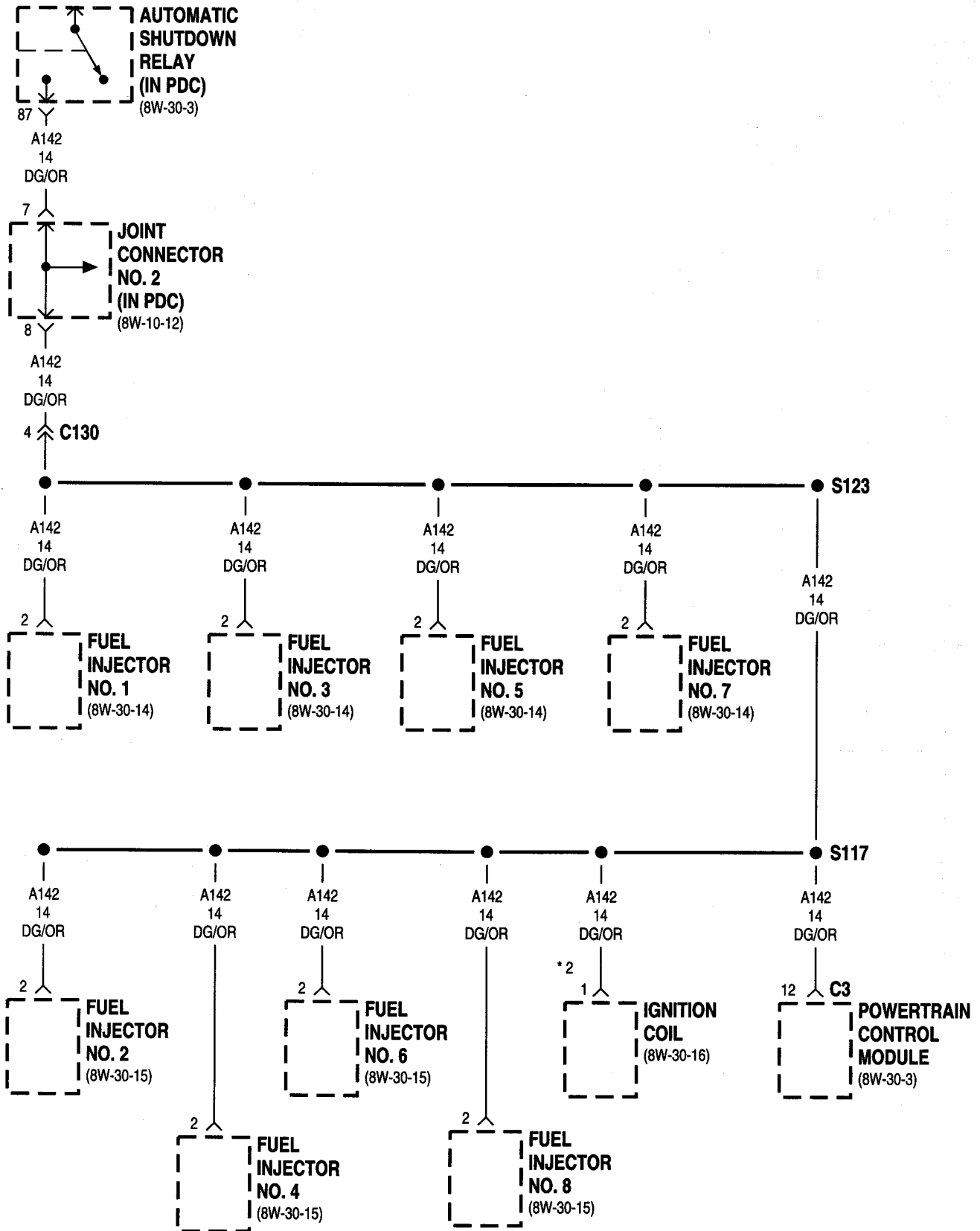


\* 8.0L





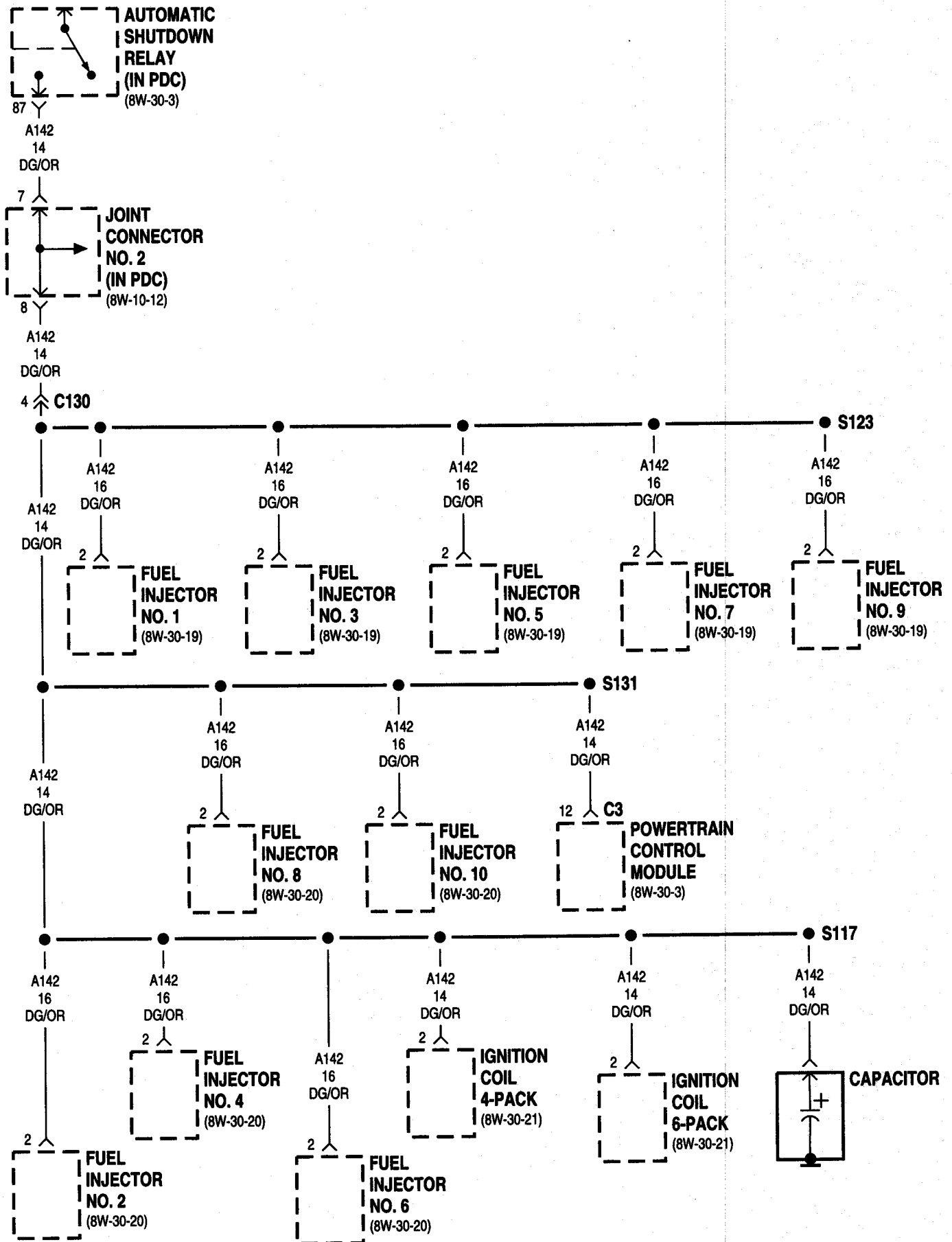


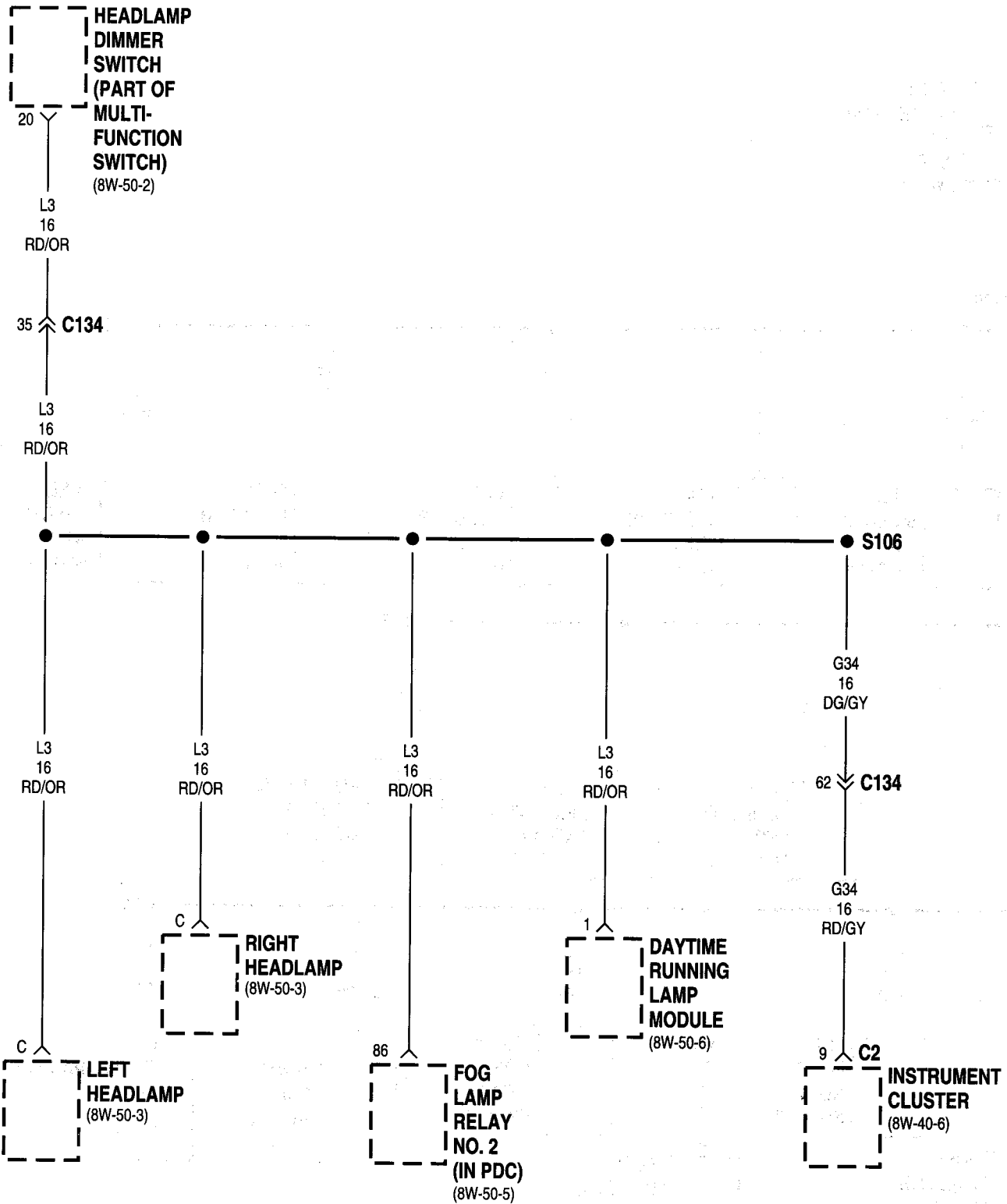


\* HEAVY DUTY



8.0L





## 8W-80 CONNECTOR PIN-OUTS

Component	Page	Component	Page
4x4 Switch . . . . .	8W-80-5	C347 . . . . .	8W-80-17
A/C Compressor Clutch . . . . .	8W-80-5	C348 . . . . .	8W-80-17
A/C Heater Control . . . . .	8W-80-5	C352 . . . . .	8W-80-17
A/C High Pressure Switch . . . . .	8W-80-5	C353 . . . . .	8W-80-17
A/C Low Pressure Switch . . . . .	8W-80-6	C360 . . . . .	8W-80-18
Airbag Control Module . . . . .	8W-80-6	C361 . . . . .	8W-80-18
Ambient Temperature Sensor . . . . .	8W-80-6	C362 . . . . .	8W-80-18
Ash Receiver Lamp . . . . .	8W-80-7	C363 . . . . .	8W-80-18
Back-Up Lamp Switch . . . . .	8W-80-7	C364 . . . . .	8W-80-18
Battery Temperature Sensor . . . . .	8W-80-7	Camshaft Position Sensor . . . . .	8W-80-19
Blower Motor . . . . .	8W-80-8	Cargo Lamp No. 1 . . . . .	8W-80-19
Blower Motor Resistor Block . . . . .	8W-80-8	Cargo Lamp No. 2 . . . . .	8W-80-19
Brake Pressure Switch . . . . .	8W-80-8	Center High Mounted Stop Lamp No. 1 . . . . .	8W-80-19
Bypass Jumper . . . . .	8W-80-9	Center High Mounted Stop Lamp No. 2 . . . . .	8W-80-19
C105 . . . . .	8W-80-9	Center Identification Lamp . . . . .	8W-80-19
C106 . . . . .	8W-80-9	Central Timer Module . . . . .	8W-80-20
C114 . . . . .	8W-80-9	Cigar Lighter . . . . .	8W-80-20
C119 . . . . .	8W-80-9	Clutch Pedal Position Switch . . . . .	8W-80-20
C125 . . . . .	8W-80-10	Controller Anti-Lock Brake -C1 . . . . .	8W-80-21
C126 . . . . .	8W-80-10	Controller Anti-Lock Brake -C2 . . . . .	8W-80-21
C128 . . . . .	8W-80-11	Crankshaft Position Sensor . . . . .	8W-80-21
C129 . . . . .	8W-80-11	Cup Holder Lamp . . . . .	8W-80-22
C130 . . . . .	8W-80-11, 12	Data Link Connector . . . . .	8W-80-22
C134 . . . . .	8W-80-13, 14	Day/Night Mirror . . . . .	8W-80-22
C183 . . . . .	8W-80-14	Daytime Running Lamp Module . . . . .	8W-80-22
C203 . . . . .	8W-80-14, 15	Dome Lamp . . . . .	8W-80-23
C204 . . . . .	8W-80-15	Downstream Heated Oxygen Sensor . . . . .	8W-80-23
C237 . . . . .	8W-80-15	Driver Airbag . . . . .	8W-80-23
C303 . . . . .	8W-80-15	Driver Seat Solenoid . . . . .	8W-80-23
C308 . . . . .	8W-80-15	Duty Cycle Evap/Purge Solenoid . . . . .	8W-80-24
C329 . . . . .	8W-80-16	EGR Solenoid . . . . .	8W-80-24
C333 . . . . .	8W-80-16	Electric Brake . . . . .	8W-80-24
C342 . . . . .	8W-80-16	Engine Coolant Temperature Sensor . . . . .	8W-80-24
C343 . . . . .	8W-80-16	Engine Oil Pressure Sensor . . . . .	8W-80-25
C345 . . . . .	8W-80-16	Engine Starter Motor . . . . .	8W-80-25
C346 . . . . .	8W-80-17		

<b>Component</b>	<b>Page</b>	<b>Component</b>	<b>Page</b>
Fog Lamp Switch . . . . .	.8W-80-26	Ignition Switch -C1 . . . . .	.8W-80-35
Front Vertical Seat Motor . . . . .	.8W-80-26	Ignition Switch -C2 . . . . .	.8W-80-35
Fuel Heater . . . . .	.8W-80-26	Instrument Cluster -C1 . . . . .	.8W-80-35
Fuel Injector No. 1 . . . . .	.8W-80-27	Instrument Cluster -C2 . . . . .	.8W-80-35
Fuel Injector No. 10 . . . . .	.8W-80-29	Intake Air Heater . . . . .	.8W-80-36
Fuel Injector No. 2 . . . . .	.8W-80-27	Intake Air Heater Relay No. 1 . . . . .	.8W-80-36
Fuel Injector No. 3 . . . . .	.8W-80-27	Intake Air Heater Relay No. 2 . . . . .	.8W-80-36
Fuel Injector No. 4 . . . . .	.8W-80-28	Intake Air Temperature Sensor . . . . .	.8W-80-37
Fuel Injector No. 5 . . . . .	.8W-80-28	Integrated Electronic Module . . . . .	.8W-80-37
Fuel Injector No. 6 . . . . .	.8W-80-28	Joint Connector No. 1 . . . . .	.8W-80-38
Fuel Injector No. 7 . . . . .	.8W-80-29	Joint Connector No. 2 . . . . .	.8W-80-38
Fuel Injector No. 8 . . . . .	.8W-80-29	Joint Connector No. 3 . . . . .	.8W-80-39
Fuel Injector No. 9 . . . . .	.8W-80-29	Joint Connector No. 4 . . . . .	.8W-80-39
Fuel Pump Module . . . . .	.8W-80-30	Joint Connector No. 5 . . . . .	.8W-80-39
Fuel Shut Down Relay . . . . .	.8W-80-30	Joint Connector No. 6 . . . . .	.8W-80-40
Fuel Shut Down Solenoid . . . . .	.8W-80-30	Joint Connector No. 7 . . . . .	.8W-80-40
Generator . . . . .	.8W-80-31	Junction Block C1 . . . . .	.8W-80-41
Glove Box Lamp . . . . .	.8W-80-31	Junction Block C2 . . . . .	.8W-80-41
Headlamp Switch -C1 . . . . .	.8W-80-32	Junction Block C3 . . . . .	.8W-80-41
Headlamp Switch -C2 . . . . .	.8W-80-32	Junction Block C4 . . . . .	.8W-80-42
Heated Mirror Switch . . . . .	.8W-80-33	Junction Block C5 . . . . .	.8W-80-42
High Note Horn . . . . .	.8W-80-33	Junction Block C6 . . . . .	.8W-80-42
Horizontal Seat Motor . . . . .	.8W-80-33	Junction Block C7 . . . . .	.8W-80-42
Idle Air Control . . . . .	.8W-80-34	Junction Block C8 . . . . .	.8W-80-43
Ignition Coil . . . . .	.8W-80-34	Junction Block C9 . . . . .	.8W-80-43

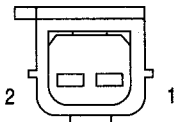
<b>Component</b>	<b>Page</b>	<b>Component</b>	<b>Page</b>
Leak Detection Pump . . . . .	8W-80-43	Left Upstream Heated Oxygen Sensor . . . . .	8W-80-48
Left Back-Up Lamp . . . . .	8W-80-43	Left Visor/Vanity Lamp . . . . .	8W-80-48
Left Door Disarm Switch . . . . .	8W-80-43	Low Note Horn . . . . .	8W-80-48
Left Door Jamb Switch . . . . .	8W-80-44	Low Washer Fluid Switch . . . . .	8W-80-49
Left Door Lock Motor . . . . .	8W-80-44	Manifold Absolute Pressure Sensor . . . . .	8W-80-49
Left Door Window/Lock Switch . . . . .	8W-80-44	Multi-Function Switch . . . . .	8W-80-49
Left Fog Lamp . . . . .	8W-80-44	Overdrive Switch . . . . .	8W-80-50
Left Front Door Speaker . . . . .	8W-80-45	Overhead Console . . . . .	8W-80-50
Left Front Fender Lamp . . . . .	8W-80-45	Overhead Map/Courtesy Lamp . . . . .	8W-80-50
Left Front Wheel Speed Sensor . . . . .	8W-80-45	Park/Neutral Position Switch . . . . .	8W-80-50
Left Headlamp . . . . .	8W-80-45	Passenger Airbag . . . . .	8W-80-50
Left License Lamp . . . . .	8W-80-45, 46	Passenger Airbag Disarm Switch -C1 . . . . .	8W-80-51
Left Outboard Clearance Lamp . . . . .	8W-80-46	Passenger Airbag Disarm Switch -C2 . . . . .	8W-80-51
Left Outboard Identification Lamp . . . . .	8W-80-46	Passenger Seat Solenoid . . . . .	8W-80-51
Left Park/Turn Signal Lamp . . . . .	8W-80-46	Post-Catalyst Heated Oxygen Sensor . . . . .	8W-80-51
Left Power Mirror Motors . . . . .	8W-80-46	Power Mirror Switch . . . . .	8W-80-51
Left Power Window Motor . . . . .	8W-80-47	Power Outlet . . . . .	8W-80-52
Left Rear Fender Lamp . . . . .	8W-80-47	Power Seat Switch . . . . .	8W-80-52
Left Rear Speaker . . . . .	8W-80-47	Powertrain Control Module C1 . . . . .	8W-80-52, 53, 54
Left Tail/Stop/Turn Signal Lamp . . . . .	8W-80-47	Powertrain Control Module C2 . . . . .	8W-80-55, 56, 57
Left Tailgate Lamp . . . . .	8W-80-48	Powertrain Control Module C3 . . . . .	8W-80-58, 59, 60
Left Tweeter . . . . .	8W-80-48	Pre-Catalyst Heated Oxygen Sensor . . . . .	8W-80-60

<b>Component</b>	<b>Page</b>	<b>Component</b>	<b>Page</b>
Radio C1 . . . . .	8W-80-61	Right Rear Fender Lamp . . . . .	8W-80-65
Radio C2 . . . . .	8W-80-61	Right Rear Speaker . . . . .	8W-80-65
Radio Choke Relay . . . . .	8W-80-61	Right Tail/Stop/Turn Signal Lamp . . . . .	8W-80-66
Rear Vertical Seat Motor . . . . .	8W-80-62	Right Tailgate Lamp . . . . .	8W-80-66
Rear Wheel Speed Sensor . . . . .	8W-80-62	Right Tweeter . . . . .	8W-80-66
Right Back-Up Lamp . . . . .	8W-80-62	Right Upstream Heated Oxygen Sensor . .	8W-80-66
Right Door Disarm Switch . . . . .	8W-80-62	Right Visor/Vanity Lamp . . . . .	8W-80-66
Right Door Jamb Switch . . . . .	8W-80-62	Seatbelt Control Module . . . . .	8W-80-67
Right Door Lock Motor . . . . .	8W-80-63	Seatbelt Switch . . . . .	8W-80-67
Right Door Window/Lock Switch . . . . .	8W-80-63	Stop Lamp Switch . . . . .	8W-80-67
Right Fog Lamp . . . . .	8W-80-63	Throttle Position Sensor . . . . .	8W-80-67
Right Front Door Speaker . . . . .	8W-80-63	Trailer Tow Connector . . . . .	8W-80-68
Right Front Fender Lamp . . . . .	8W-80-63	Transmission Output Shaft Speed Sensor .	8W-80-68
Right Front Wheel Speed Sensor . . . . .	8W-80-64	Transmission Solenoid Assembly . . . . .	8W-80-68
Right Headlamp . . . . .	8W-80-64	Underhood Lamp . . . . .	8W-80-68
Right License Lamp . . . . .	8W-80-64	Upstream Heated Oxygen Sensor . . . . .	8W-80-69
Right Outboard Clearance Lamp . . . . .	8W-80-64	Vehicle Speed Control Servo . . . . .	8W-80-69
Right Outboard Identification Lamp . . . . .	8W-80-64	Vehicle Speed Control/Horn Switch . . . . .	8W-80-69
Right Park/Turn Signal Lamp . . . . .	8W-80-64	Windshield Washer Pump Motor . . . . .	8W-80-70
Right Power Mirror Motors . . . . .	8W-80-65	Wiper Motor . . . . .	8W-80-70
Right Power Window Motor . . . . .	8W-80-65		



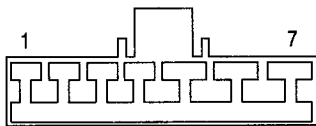
**4X4  
SWITCH**

CAV	CIRCUIT	FUNCTION
1	G107 18BK/GY	4WD SENSE
2	Z1 18BK	GROUND



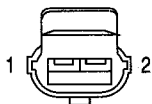
**A/C  
COMPRESSOR  
CLUTCH**

CAV	CIRCUIT	FUNCTION
1	C3 18DB/BK	A/C CLUTCH RELAY OUTPUT B(+)
2	Z11 18BK/WT	GROUND



**A/C  
HEATER  
CONTROL**

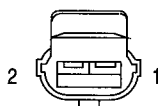
CAV	CIRCUIT	FUNCTION
1	E2 22OR	FUSED PANEL LAMPS DIMMER SWITCH SIGNAL
2	C90 22LG/WT	A/C PRESSURE SWITCH OUTPUT
3	C4 16TN	M1 BLOWER MOTOR SPEED
4	C5 16LG	L0 BLOWER MOTOR SPEED
5	C6 14LB	M2 BLOWER MOTOR SPEED
6	C7 12BK/TN	HIGH BLOWER MOTOR SPEED
7	Z3 12BK/OR	GROUND



**A/C HIGH  
PRESSURE  
SWITCH**

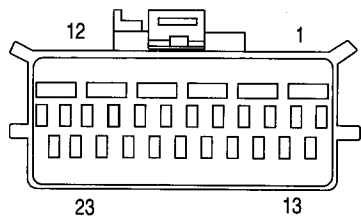
CAV	CIRCUIT	FUNCTION
1	C90 18LG/WT*	A/C HIGH PRESSURE SWITCH OUT
1	C90 18LG**	A/C HIGH PRESSURE SWITCH OUT
2	C22 18DB	A/C HIGH PRESSURE SWITCH IN
2	C90 18LG/WT**	A/C HIGH PRESSURE SWITCH IN

\* GAS  
\*\* DIESEL



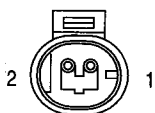
**A/C LOW  
PRESSURE  
SWITCH**

CAV	CIRCUIT	FUNCTION
1	C20 18BR	A/C SWITCH SENSE IN
2	C22 18DB	A/C LOW PRESSURE SWITCH OUT
2	C90 18LG/WT*	A/C LOW PRESSURE SWITCH OUT



**AIRBAG  
CONTROL  
MODULE**

CAV	CIRCUIT	FUNCTION
1	-	-
2	-	-
3	-	-
4	Z6 18BK/PK	GROUND
5	R43 18BK/LB	DRIVER AIRBAG LINE 1
6	R45 18DG/LB	DRIVER AIRBAG LINE 2
7	R142 18BK/YL	PASSENGER AIRBAG LINE 1
8	R144 18DG/YL	PASSENGER AIRBAG LINE 2
9	-	-
10	-	-
11	-	-
12	-	-
13	-	-
14	F14 18LG/YL	FUSED IGN. (ST-RUN)
15	F23 18DB/YL	FUSED IGN. (RUN)
16	G111 18LG/BK	SBCM FAULT SIGNAL
17	-	-
18	-	-
19	-	-
20	-	-
21	D1 18VT/BR	CCD BUS (+)
22	D2 18WT/BK	CCD BUS (-)
23	-	-



**AMBIENT  
TEMPERATURE  
SENSOR**

CAV	CIRCUIT	FUNCTION
1	G31 20VT/LG	AMBIENT TEMPERATURE SENSOR SIGNAL
2	G32 20BK/VT	SENSOR GROUND

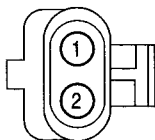
\* W/ DIESEL





**ASH RECEIVER  
LAMP**

CAV	CIRCUIT	FUNCTION
1	L10 20BR/LG	FUSED IGN. (RUN)
2	Z3 20BK/OR	GROUND



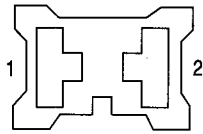
**BACK-UP  
LAMP  
SWITCH  
(MTX)**

CAV	CIRCUIT	FUNCTION
1	L1 18VT/BK	BACK-UP LAMP FEED
2	L10 18BR/LG	TRS REVERSE SENSE



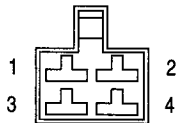
**BATTERY  
TEMPERATURE  
SENSOR**

CAV	CIRCUIT	FUNCTION
1	K4 20BK/LB	SENSOR GROUND
2	K118 20PK/YL	BATTERY TEMPERATURE SENSOR SIGNAL TO ENGINE



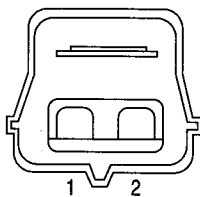
**BLOWER MOTOR**

CAV	CIRCUIT	FUNCTION
1	C1 12DG	BLOWER MOTOR FEED
2	C7 12BK/TN	BLOWER MOTOR SPEED CONTROL



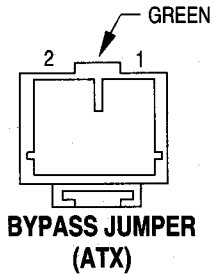
**BLOWER MOTOR RESISTOR BLOCK**

CAV	CIRCUIT	FUNCTION
1	C7 12BK/TN	HI SPEED BLOWER MOTOR/SPEED CONTROL
2	C6 14LB	M2 SPEED BLOWER MOTOR
3	C5 16LG	M1 SPEED BLOWER MOTOR
4	C4 16TN	LO SPEED BLOWER MOTOR

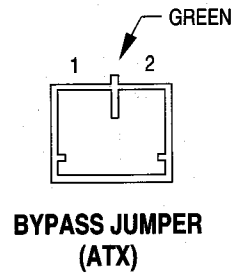


**BRAKE PRESSURE SWITCH**

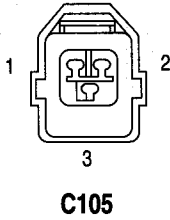
CAV	CIRCUIT	FUNCTION
1	Z1 20BK	GROUND
2	G9 20GY/BK	RED BRAKE WARNING LAMP DRIVER



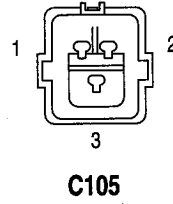
CAV	CIRCUIT
1	T141 14YL/RD
2	A41 14YL



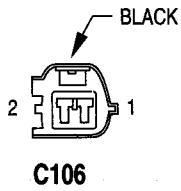
CAV	CIRCUIT
1	T141 14YL/RD
2	T141 14YL/RD



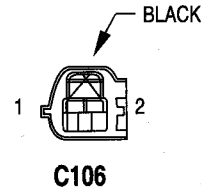
CAV	CIRCUIT
1	Z1 20BK
2	L39 20LB
3	Z1 20BK



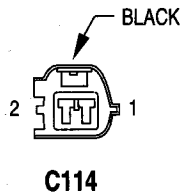
CAV	CIRCUIT
1	Z1 20BK
2	L39 20LB
3	Z1 20BK



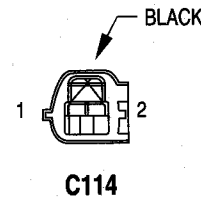
CAV	CIRCUIT
1	G107 18BK/GY
2	Z1 18BK



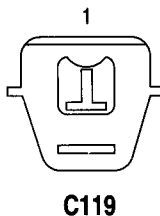
CAV	CIRCUIT
1	G107 20BK/GY
2	Z1 20BK



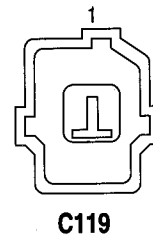
CAV	CIRCUIT
1	G31 20VTLG
2	G32 20BK/VT



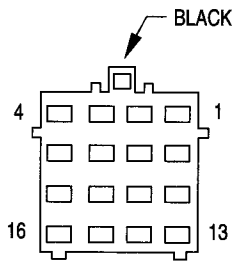
CAV	CIRCUIT
1	G31 20VT/LG
2	G32 20BK/VT



CAV	CIRCUIT
1	T40 12BR
2	-

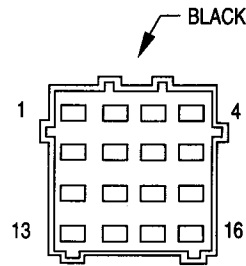


CAV	CIRCUIT
1	T40 14BR
2	T40 14BR



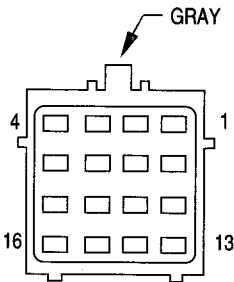
**C125  
(DIESEL)**

CAV	CIRCUIT
1	G7 18WT/OR
2	T6 20OR/WT
3	T18 18LG/OR
4	T41 20BK/WT
5	C22 18DB
6	K22 18OR/DB
7	C13 18DB/OR
8	K24 18GY/BK
9	V40 18WT/PK
10	C90 18LG/WT
11	Z12 14BK/TN
	Z12 14BK/TN
12	K118 18PK/YL
13	K4 20BK/LB
14	Z12 14BK/TN
15	T16 18RD
16	K30 18PK



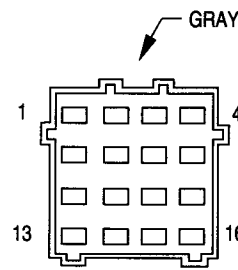
**C125  
(DIESEL)**

CAV	CIRCUIT
1	G7 20WT/OR
2	T6 20OR/WT
3	T18 22LG/OR
4	T41 20BK/WT
5	C22 20DB
6	K22 20OR/DB
7	C13 20DB/OR
8	K24 20GY/BK
9	V40 22WT/PK
10	C90 20LG/WT
11	Z12 14BK/TN
12	K118 20PK/YL
13	K4 18BK/LB
14	Z12 14BK/TN
15	T16 22RD
16	K30 22PK/WT



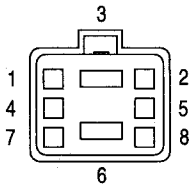
**C126  
(DIESEL)**

CAV	CIRCUIT
1	F18 20LG/BK
2	V32 20YL/RD
3	V37 20RD/LG
4	T125 18WT/DB
5	K20 18DG
6	L1 18VT/BK
7	V35 20LG/RD
8	K226 20DB/WT
9	V36 20TN/RD
10	L10 18BR/LG
11	D220 20WT/VT
12	D21 20PK/DB
13	-
14	D1 20VT/BR
15	D2 20WT/BK
16	A14 16RD/WT



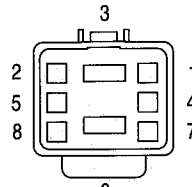
**C126  
(DIESEL)**

CAV	CIRCUIT
1	F18 18LG/BK
2	V32 18YL/RD
3	V37 18RD/LG
4	T125 18DB
5	K20 18DG
6	L1 18VT/BK
7	V35 18LG/RD
8	K226 18DB/WT
9	V36 18TN/RD
10	L10 18BR/LG
11	D220 18LG
12	D21 18PK/DB
13	G113 18OR
14	D1 18VT/BR
15	D2 18WT/BK
16	A14 14RD/WT



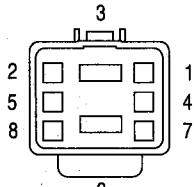
C128

CAV	CIRCUIT
1	B113 20RD/VT
2	B114 20WT/VT
3	Z13 12BK
4	-
5	-
6	B40 12LB
7	K4 20BK/LB
8	K226 20DB/WT



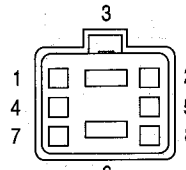
C128

CAV	CIRCUIT
1	B113 20RD/VT
2	B114 20WT/VT
3	Z13 12BK
4	-
5	-
6	B40 12LB
7	K4 20BK/LB
8	K226 20DB/WT



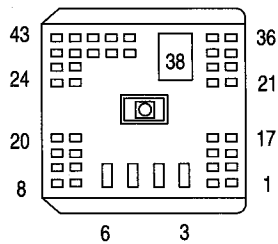
C129

CAV	CIRCUIT
1	L7 18BK/YL
2	-
3	L76 12BK/OR
4	L63 16DG/RD
5	L1 18VT/BK
6	A6 12RD/TN
7	L62 16BR/PK
8	A61 16DG/BK



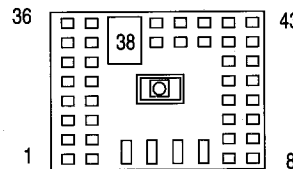
C129

CAV	CIRCUIT
1	L7 16BK/YL
2	-
3	L76 12BK/OR
4	L63 16DG/RD
5	L1 18VT/BK
6	A6 12RD/OR
7	L62 16BR/RD
8	A61 16DG/BK



C130

CAV	CIRCUIT
1	V35 18LG/RD
2	V32 18YL/RD
3	A14 16RD/WT
4	A142 14DG/OR
5	T40 12BR*
6	A93 14RD/BK*
7	K118 18PK/YL
8	L1 18VT/BK
9	-
10	G85 18OR/BK*
11	V40 18WT/PK
12	L10 18BR/LG
13	D1 18VT/BR
14	K51 18DB/YL
15	C13 18DB/YL
16	D20 18DG
17	D2 18WT/BK
18	K4 20BK/LB

C130  
(IN PDC)

CAV	CIRCUIT
1	V35 20LG/RD
2	V32 20YL/RD
3	A14 16RD/WT
4	A142 14DG/OR
5	A14 16RD/WT
5	T40 14BR
6	A93 12RD/YL*
7	K118 20PK/YL
7	K24 20GY/BK
8	K22 20OR/DB
8	L1 18VT/BK
9	K131 22BR/WT
10	G85 22OR/BK
11	V40 22WT/PK
12	L10 18BR/LG
13	D1 20VT/BR
14	K51 22DB/YL
15	C13 22DB/OR
16	D20 20DG
17	D2 20WT/BK
18	K4 18BK/LB*
18	K4 22BK/LB

CONTINUED

\* DIESEL

C130

CAV	CIRCUIT
19	C90 18LG*
19	C90 18LG/WT**
20	D21 18PK/DB
21	C3 18DB/BK
22	V37 18RD/LG
23	K226 18DB/WT
24	V36 18TN/RD
25	Z12 20BK/TN
26	T41 20BK/WT ●●
26	Z11 20BK/WT ●
26	Z12 20BK/TN*
27	K31 18BR/WT**
28	F18 18LG/BK
29	K30 18PK
30	T18 18LG/OR
31	T16 18RD
32	-
33	G7 18WT/OR
34	T6 18OR/WT
35	T125 18WT/DB*
35	T125 18DB**
36	K106 18WT/DG**
37	K107 18OR**
38	A18 10RD/BK*
39	Z12 20BK/TN*
39	Z12 18BK/TN**
40	-
41	-
42	K52 18PK/WT**
43	A141 18DG/WT
	A141 18DG/WT ○

CONTINUED

C130  
(IN PDC)

CAV	CIRCUIT
19	C90 22LG/WT
19	C90 20LG/WT
20	D21 20PK/DB
21	C3 22DB/BK
22	V37 22RD/LG
23	K226 20DB/WT
24	V36 20TN/RD
25	Z12 20BK/TN
26	T41 22BK/WT
26	T41 20BK/WT*
27	K31 22BR/WT
28	F18 20LG/BK
29	K30 22PK/WT
30	T18 22LG/OR
31	T16 22RD
32	C22 20DB
33	G7 20WT/OR
34	T6 22OR/WT
35	T125 18WT/DB
35	T125 18WT/DB
36	K106 18WT/DG
37	K107 18OR**
38	A18 10RD/BK*
39	Z12 18BK/TN
40	G113 20OR
41	Z12 14BK/TN
42	K52 18PK/WT**
43	A141 20DG/WT

\* DIESEL

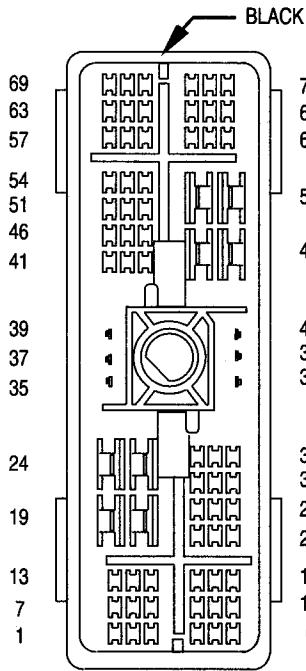
\*\* GAS

\*\*\* V6/V8

● M/T

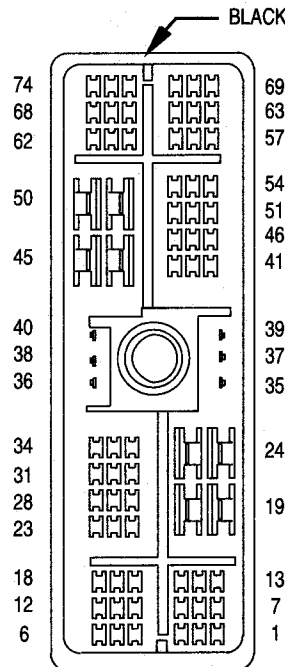
●● A/T

○ HEAVY DUTY



C134

CAV	CIRCUIT
1	-
2	D21 20PK/DB
3	D220 20WT/VT
4	-
5	-
6	-
7	-
8	Z12 18BK/TN
9	Z12 20BK/TN
10	D2 20WT/BK
11	D1 20VT/BR
12	D2 20WT/BK
13	D20 20LG
14	D21 20PK/DB
15	-
16	D1 20VT/BR
17	D2 20WT/BK
18	D1 20VT/BR
19	L7 16BK/YL
20	A12 16RD/TN
21	T6 22OR/WT
22	L39 22LB
23	F15 20DB
23	F18 18DB
24	A3 12RD/WT
25	F32 16PK/DB
26	K4 22BK/LB
27	L35 22BR/YL
28	-
29	V37 22RD/LG
30	G11 22WT/LG
31	Z9 16BK/VT
32	X3 22BK/RD
33	-
34	Z5 18BK/DB
35	L3 16RD/OR
36	L4 16VT/WT
37	V4 16RD/YL
38	V49 16RD/BK
39	V3 16BR/WT
40	V5 16DG
41	Z2 16BK/LG
42	Z6 18BK/PK
43	C90 22LG/WT
44	A1 10RD
45	C1 12DG
46	-
47	G50 22RD/DB
48	V30 22DB/RD
49	-
50	A2 14PK/BK
51	A41 14YL
52	-
53	V32 22YL/RD



C134

CAV	CIRCUIT
1	-
2	D21 20PK/DB
3	D220 20WT/VT
4	-
5	-
6	-
7	-
8	Z12 18BK/TN
9	Z12 20BK/TN
10	D2 20WT/BK
11	D1 20VT/BR
12	D2 20WT/BK
13	D20 20DG
14	D21 20PK/DB
15	-
16	D1 20VT/BR
17	D2 20WT/BK
18	D1 20VT/BR
19	L7 16BK/YL
20	A12 16RD/TN
21	T6 22OR/WT
22	L39 20LB
23	F15 22DB
24	A3 12RD/YL
25	F32 16PK/DB
26	K4 22BK/LB
27	L35 22BR/YL
28	-
29	V37 22RD/LG
29	V37 20RD/LG*
30	G11 20WT/LG
31	Z9 16BK/VT
32	X3 22BK/RD
33	-
34	Z5 18BK/DB
35	L3 16RD/OR
36	L4 16VT/WT
37	V4 16RD/YL
38	V49 16RD/BK
39	V3 16BR/WT
40	V5 16DG
41	Z2 16BK/LG
42	Z6 18BK/PK
43	C90 22LG/WT
43	C90 20LG/WT
44	A1 10RD
45	C1 12DG
46	-
47	G50 22RD/DB
48	V30 20DB/RD
49	-
50	A2 14PK/BK
51	A41 14YL
52	-
53	V32 20YL/RD

CONTINUED

\* DIESEL

CONTINUED

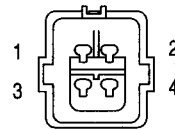
C134

CAV	CIRCUIT
54	-
55	V18 22YL/DG
56	V40 22WT/PK
57	L62 16BR/RD
58	G85 22OR/BK
59	G107 22BK/GY
60	T18 22LG/OR
61	G29 22BK/WT
62	G34 16RD/GY
63	L63 16DG/RD
64	L50 18WT/TN
65	F12 20DB/WT
66	L10 18BR/LG
67	Z3 18BK/OR
68	V10 16BR
69	-
70	-
71	-
72	-
73	-
74	-

C134

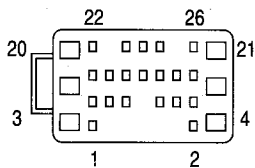
CAV	CIRCUIT
54	-
55	V18 22YL/DG
56	V40 22WT/PK
57	L62 16BR/RD
58	G85 22OR/BK
59	G107 20BK/GY
60	T18 22LG/OR
61	G29 18BK/WT
62	G34 16RD/GY
63	L63 16DG/RD
64	L50 18WT/TN L50 18WT/TN
65	F12 20DB/WT
66	L10 18BR/LG
67	Z3 18BK/OR
68	V10 16BR
69	-
70	-
71	-
72	-
73	-
74	-

**-OPTIONAL-  
CHMSL JUMPER  
(FOR FUTURE USE)**



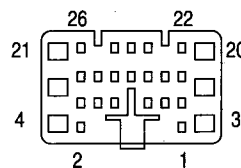
C183

CAV	CIRCUIT
1	M1 20PK
2	M2 20YL
3	L50 18WT/TN
3	L50 18WT/TN
4	Z1 20BK



C203

CAV	CIRCUIT
1	X58 18DB/OR
2	X57 18BR/LB
3	F37 16RD/LB
4	F21 16TN
5	M1 20PK
6	X51 18BR/YL
7	X52 18DB/WT
8	M2 20YL
9	G10 20LG/RD
10	F12 20DB/WT
11	L50 18WT/TN
12	F13 18DB
13	M3 20PK/DB
14	C16 20LB/YL
15	G16 18BK/LB



C203

CAV	CIRCUIT
1	X58 18DB/OR
2	X57 18BR/LB
3	F37 16RD/LB
4	F21 16TN
5	M1 22PK
6	X51 18BR/YL
7	X52 18DB/WT
8	M2 20YL
9	G10 22LG/RD
10	F12 22DB/WT
11	L50 18WT/TN
12	F13 18DB
13	M3 22PK/DB
14	C16 22LB/YL
15	G16 22BK/LB

CONTINUED



C203

CAV	CIRCUIT
16	G111 18LG/BK
17	G73 20LG/OR
18	G75 20TN
19	F35 20RD
20	Z9 16BK/VT
21	X54 18VT
22	X56 18DB/RD
23	X53 18DG
24	X55 18BR/RD
25	X13 16BK/RD
26	P34 20PK/BK

CONTINUED

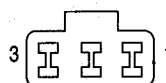
C203

CAV	CIRCUIT
16	G111 18LG/BK
17	G73 22LG/OR
18	G75 22TN
19	F35 22RD
20	Z9 16BK/VT
21	X54 18VT
22	X56 18DB/RD
23	X53 18DG
24	X55 18BR/RD
25	X13 16BK/RD
26	P34 22PK/BK



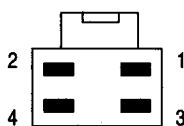
C204

CAV	CIRCUIT
1	P30 22OR/DG
2	P31 22PK/DG
3	P33 22OR/BK



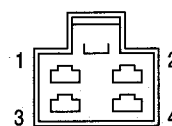
C204

CAV	CIRCUIT
1	P30 22OR/DG
2	P31 22PK/DG
3	P33 20OR/BK



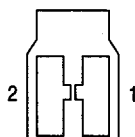
C237

CAV	CIRCUIT
1	C7 12BK/TN
2	C6 14LB
3	C5 16LG
4	C4 16TN



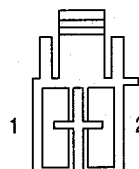
C237

CAV	CIRCUIT
1	C7 12BK/TN
2	C6 14LB
3	C5 16LG
4	C4 16TN



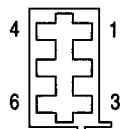
C303

CAV	CIRCUIT
1	Z3 14BK/OR
2	F37 14RD/LB



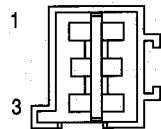
C303

CAV	CIRCUIT
1	Z2 16BK/LG
2	F37 16RD/LB



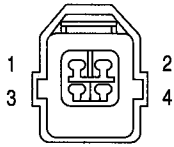
C308

CAV	CIRCUIT
1	L50 18WT/TN
2	Z2 20BK/LG
3	M1 20PK
4	M3 20PK/DB
5	-
6	-



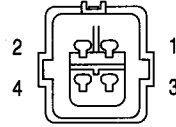
C308

CAV	CIRCUIT
1	L50 18WT/TN
1	L50 18WT/TN
2	Z3 18BK/OR
2	Z3 18BK/OR
3	M1 18PK
3	M1 18PK
4	M3 18PK/DB
4	M3 18PK/DB
5	-
6	-



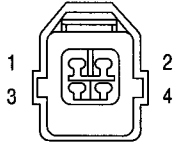
C329

CAV	CIRCUIT
1	L7 18BK/YL
2	Z13 16BK
3	L62 16BR/RD
4	L1 18VT/BK



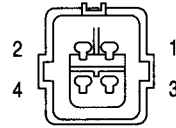
C329

CAV	CIRCUIT
1	L7 18BK/YL
2	Z13 16BK
3	L62 16BR/PK
4	L1 18VT/BK



C333

CAV	CIRCUIT
1	L7 18BK/YL
2	Z13 16BK
3	L63 18DG/RD
4	L1 18VT/BK



C333

CAV	CIRCUIT
1	L7 18BK/YL
2	Z13 16BK
3	L63 18DG/RD
4	L1 18VT/BK



C342

CAV	CIRCUIT
1	Z13 18BK
2	L7 18BK/YL



C342

CAV	CIRCUIT
1	Z13 18BK
2	L7 18BK/YL



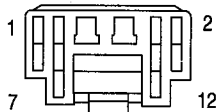
C343

CAV	CIRCUIT
1	Z13 18BK
2	L7 18BK/YL



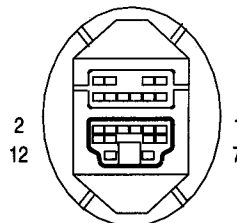
C343

CAV	CIRCUIT
1	Z13 18BK
2	L7 18BK/YL



C345

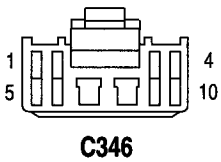
CAV	CIRCUIT
1	X82 20LB/RD
2	X54 18VT
3	P70 22WT
4	P72 22YL/BK
5	X56 18DB/RD
6	X13 16BK/RD
7	P74 22DB
8	X80 20LB/BK
9	F21 16TN
10	Z2 16BK/LG
11	Z9 16BK/VT
12	C16 20LB/YL



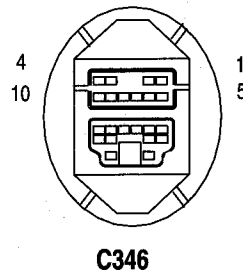
C345

CAV	CIRCUIT
1	X82 20LB/RD
2	X54 18VT
3	P70 20WT
4	P72 20YL/BK
5	X56 20DB/RD
6	X13 16BK/RD
7	P74 20DB
8	X80 20LB/BK
9	F21 14TN
10	Z2 20BK/LG*
10	Z2 14BK/LG**
11	Z9 16BK/VT
12	C16 20LB/YL

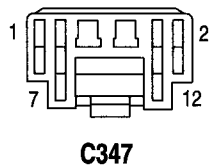
\* MID-LINE  
\*\* HIGH-LINE



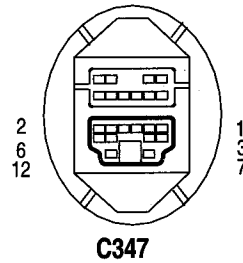
CAV	CIRCUIT
1	F35 20RD
2	Q16 16BR/WT
3	Q26 16VT/WT
4	P33 20OR/BK
5	P34 20PK/BK**
5	P31 22PK/DG*
6	P35 20OR/VT
7	P36 20PK/VT
8	G73 20LG/OR
9	P30 22OR/DG*
9	P33 20OR/BK**
10	P34 20PK/BK



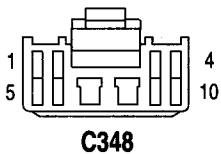
CAV	CIRCUIT
1	F35 20RD
2	Q16 14BR/WT
3	Q26 14VT/WT
4	P33 20OR/BK
5	P31 20PK/DG
6	P35 20OR/VT
7	P36 20PK/VT
8	G73 20LG/OR
9	P30 20OR/DG
10	P34 20PK/BK



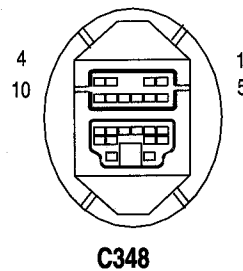
CAV	CIRCUIT
1	M1 20PK
2	X53 18DG
3	P70 22WT
4	P72 22YL/BK
5	X55 18BR/RD
6	X13 16BK/RD
7	P74 22DB
8	X81 20YL/BK
9	F21 16TN
10	Z2 16BK/LG
11	Z9 16BK/VT
12	C16 20LB/YL



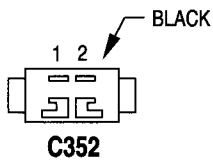
CAV	CIRCUIT
1	M1 22PK
2	X53 18DG
3	P70 22WT
4	P72 22YL/BK
5	X55 18BR/RD
6	X13 16BK/RD
7	P74 22DB
8	X81 20YL/BK
9	F21 16TN
10	Z2 16BK/LG
11	Z9 16BK/VT
12	C16 20LB/YL



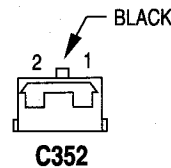
CAV	CIRCUIT
1	F35 20RD
2	Q16 16BR/WT
3	Q26 16VT/WT
4	P33 20OR/BK
5	X83 20YL/RD
6	P35 20OR/VT
7	P36 20PK/VT
8	G73 20LG/OR
9	Z2 20BK/LG
10	P34 20PK/BK



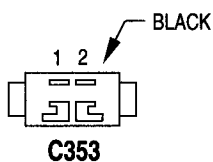
CAV	CIRCUIT
1	F35 20RD
2	Q16 16BR/WT
3	Q26 16VT/WT
4	P33 20OR/BK
5	X83 20YL/RD
6	P35 20OR/VT
7	P36 20PK/VT
8	G73 20LG/OR
9	Z2 20BK/LG
10	P34 20PK/BK



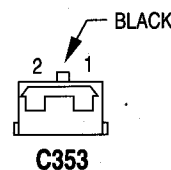
CAV	CIRCUIT
1	M1 20PK
2	Z4 20BK



CAV	CIRCUIT
1	M1 20PK
2	Z4 20BK

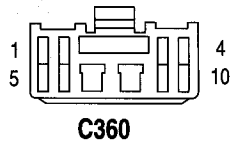


CAV	CIRCUIT
1	M1 20PK
2	Z4 20BK



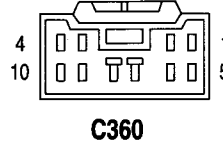
CAV	CIRCUIT
1	M1 20PK
2	Z4 20BK

\* CTM  
\*\* IEM



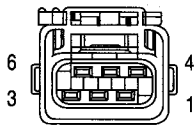
**C360**

CAV	CIRCUIT
1	F13 18DB
2	M1 20PK
3	G74 18TN/RD
4	Z16 18BK/PK
5	F12 20DB/WT
6	G75 20TN
7	Z2 16BK/LG
8	F37 16RD/LB
9	G10 20LG/RD
10	G111 18LG/BK



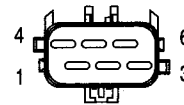
**C360**

CAV	CIRCUIT
1	F13 18DB
2	M1 18PK
3	G74 18TN/RD
4	Z16 18BK/PK
5	F12 20DB/WT
6	G75 18TN
7	Z2 16BK/LG
8	F37 16RD/LB
9	G10 20LG/RD
10	G111 18LG/BK



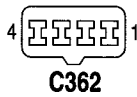
**C361**

CAV	CIRCUIT
1	-
2	X57 18BR/LB
3	X51 18BR/YL
4	-
5	-
6	-



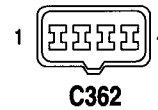
**C361**

CAV	CIRCUIT
1	-
2	X57 18BR/LB
3	X51 18BR/YL
4	-
5	-
6	-



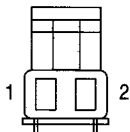
**C362**

CAV	CIRCUIT
1	G10 20LG/RD
2	F12 20DG/WT
3	Z2 18BK/LG
4	R7 18OR/BK



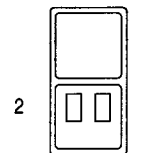
**C362**

CAV	CIRCUIT
1	G10 20LG/RD
2	F12 18DB/WT
3	Z2 18BK/LG
4	R7 18OR/BK



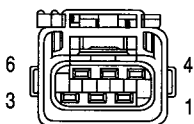
**C363**

CAV	CIRCUIT
1	Z2 18BK/LG
2	R8 18OR/RD



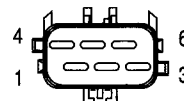
**C363**

CAV	CIRCUIT
1	Z2 18BK/LG
2	R8 18OR/RD



**C364**

CAV	CIRCUIT
1	-
2	X58 18DB/OR
3	X52 18DB/WT
4	-
5	-
6	-



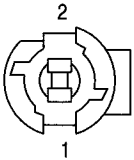
**C364**

CAV	CIRCUIT
1	-
2	X58 18DB/OR
3	X52 18DB/WT
4	-
5	-
6	-



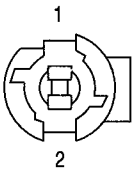
**CAMSHAFT  
POSITION SENSOR**

CAV	CIRCUIT	FUNCTION
1	K44 18TN/YL	CAMSHAFT POSITION SENSOR SIGNAL
2	K4 20BK/LB	SENSOR GROUND
3	K6 20VT/WT	5V SUPPLY



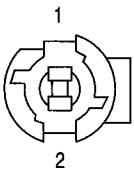
**CARGO LAMP  
NO. 1**

CAV	CIRCUIT	FUNCTION
1	M1 18PK	FUSED B (+)
2	M3 18PK/DB	CARGO LAMP DRIVER



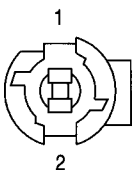
**CARGO LAMP  
NO. 2**

CAV	CIRCUIT	FUNCTION
1	M1 18PK	FUSED B (+)
2	M3 18PK/DB	CARGO LAMP DRIVER



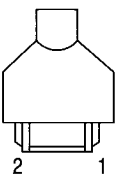
**CENTER HIGH  
MOUNTED STOP  
LAMP NO. 1**

CAV	CIRCUIT	FUNCTION
1	L50 18WT/TN	STOP LAMP SWITCH OUTPUT B(+)
2	Z3 18BK/OR	GROUND



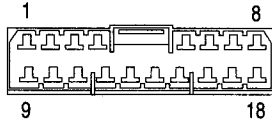
**CENTER HIGH  
MOUNTED STOP  
LAMP NO. 2**

CAV	CIRCUIT	FUNCTION
1	L50 18WT/TN	STOP LAMP SWITCH OUTPUT
2	Z3 18BK/OR	GROUND



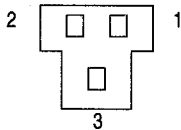
**CENTER  
IDENTIFICATION  
LAMP**

CAV	CIRCUIT	FUNCTION
1	L7 18BK/YL	HEADLAMP SWITCH OUTPUT
2	Z4 18BK	GROUND



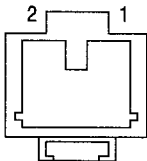
**CENTRAL TIMER  
MODULE**

CAV	CIRCUIT	FUNCTION
1	P33 22OR/BK	FEED FOR DOOR LOCK
2	M2 22YL	COURTESY LAMPS DRIVER
3	Z3 18BK/OR	FEED FOR DOOR LOCK SWITCH
4	P30 22OR/DG	POWER GROUND
5	F12 22DB/WT	FUSED IGN. (ST-RUN)
6	G50 22RD/DB	HEADLAMP RELAY CONTROL
7	-	-
8	G69 22BK	VTSS INDICATOR LAMP DRIVER
9	P34 22PK/BK	DOOR UNLOCK DRIVER
10	G73 22LG/OR	KEY DISARM SWITCH
11	-	-
12	-	-
13	P31 22PK/DG	POWER DOOR LOCK MOTOR B(+) UNLOCK
14	-	-
15	-	-
16	D1 20VT/BR	CCD BUS (+)
17	D2 20WT/BK	CCD BUS (-)
18	X3 22BK/RD	HORN RELAY CONTROL



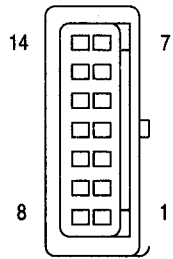
**CIGAR  
LIGHTER**

CAV	CIRCUIT	FUNCTION
1	F30 18RD/OR	FUSED IGN. (RUN - ACC)
2	-	-
3	Z3 18BR/OR	GROUND



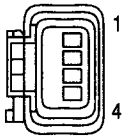
**CLUTCH PEDAL  
POSITION SWITCH  
(MTX)**

CAV	CIRCUIT	FUNCTION
1	T141 14YL/RD	IGN. SWITCH OUPUT (ST)
2	A41 14YL	IGN. SWITCH OUTPUT (ST)



**CONTROLLER  
ANTI-LOCK  
BRAKE - C1**

CAV	CIRCUIT	FUNCTION
1	B113 20RD/YL	RIGHT REAR WHEEL SPEED SENSOR (+)
2	G107 20BK/GY	FOUR WHEEL DRIVE SENSE
3	D1 20VT/BR	CCD BUS (+)
4	A20 20RD/DB	FUSED B (+)
5	-	-
6	Z8 14BK/VT	GROUND
7	A10 14RD/DG	FUSED (+)
8	B114 20WT/VT	RIGHT REAR WHEEL SPEED SENSOR (-)
9	V40 20WT/PK	BRAKE SWITCH SENSE
10	D2 20WT/BK	CCD BUS (-)
11	G9 20GY/BK	RED BRAKE WARNING LAMP DRIVER
12	G7 20WT/OR	VEHICLE SPEED SENSOR SIGNAL
13	Z8 14BK/VT	GROUND
14	A10 14RD/DG	FUSED B (+)



**CONTROLLER  
ANTI-LOCK  
BRAKE - C2  
(ABS)**

CAV	CIRCUIT	FUNCTION
1	B9 20RD	LEFT FRONT WHEEL SPEED SENSOR (+)
2	B8 20RD/GY	LEFT FRONT WHEEL SPEED SENSOR (-)
3	B6 20WT/DB	RIGHT FRONT WHEEL SPEED SENSOR (-)
4	B7 20WT	RIGHT FRONT WHEEL SPEED SENSOR (+)



**CRANKSHAFT  
POSITION SENSOR**

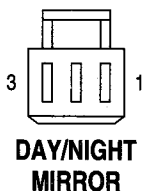
CAV	CIRCUIT	FUNCTION
1	K24 18GY/BK	CRANK POSITION SENSOR SIGNAL
2	K4 20BK/LB	SENSOR GROUND
3	K6 20VT/WT	5 VOLT SUPPLY



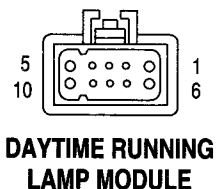
CAV	CIRCUIT	FUNCTION
1	L10 20BR/LG	CUP HOLDER LAMP FEED
2	Z3 20BK/OR	GROUND



CAV	CIRCUIT	FUNCTION
1	-	-
2	-	-
3	D1 18VT/BR	CCD BUS (+)
4	Z12 20BK/TN	GROUND
5	Z12 18BK/TN	GROUND
6	D20 20LG	SCI RECIEVE
7	D21 20PK/DB	SCI TRANSMIT
8	-	-
9	-	-
10	-	-
11	D2 18WT/BK	CCD BUS (-)
12	-	-
13	-	-
14	D220 20WT/VT *	SCI RECEIVE
15	-	-
16	M1 20PK	FUSED B (+)



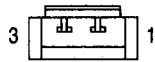
CAV	CIRCUIT	FUNCTION
1	F12 20DB/WT	FUSED IGN. (ST-RUN)
2	Z4 20BK	GROUND
3	L1 22VT/BK	BACK-UP LAMP SENSE



CAV	CIRCUIT	FUNCTION
1	L3 16RD/OR	HIGH BEAM OUTPUT
2	-	-
3	G11 20WT/LG	PARKING BRAKE SWITCH SENSE
4	G34 20RD/GY	HIGH BEAM INDICATOR
5	L10 18BR/LG	FUSED IGN. (RUN)
6	L20 18LG/WT	FUSED B (+)
7	-	-
8	Z1 18BK	GROUND
9	-	-
10	L4 16VT/WT	LOW BEAM OUTPUT

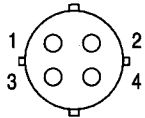
\* DIESEL





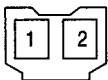
**DOME  
LAMP**

CAV	CIRCUIT	FUNCTION
1	-	-
2	M2 20YL	DOOR JAMB SWITCH
3	M1 20PK	FUSED B (+)



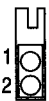
**DOWNSTREAM  
HEATED OXYGEN  
SENSOR**

CAV	CIRCUIT	FUNCTION
1	A141 18DG/WT	AUTO SHUTDOWN RELAY OUPUT
2	Z11 18BK/WT	GROUND
3	K4 18BK/LB	SENSOR GROUND
4	K341 18OR/BK	HEATED OXYGEN SENSOR SIGNAL



**DRIVER  
AIRBAG**

CAV	CIRCUIT	FUNCTION
1	R43 18BK/LB	DRIVER AIRBAG LINE 1
2	R45 18DG/LB	DRIVER AIRBAG LINE 2



**DRIVER SEAT  
SOLENOID**

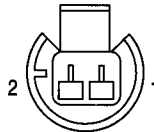
CAV	CIRCUIT	FUNCTION
1	Z2 18BK/LG	GROUND
2	R7 18OR/BK	SIGNAL FROM SBCM

\* W/CENTRAL TIMER MODULE



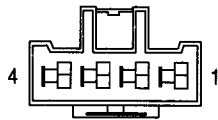
**DUTY CYCLE  
EVAP/PURGE  
SOLENOID**

CAV	CIRCUIT	FUNCTION
1	K52 18PK/WT	EVAPORATIVE EMISSION SOLENOID CONTROL
2	F12 20DB/WT	FUSED IGN. (ST-RUN)



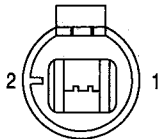
**EGR  
SOLENOID  
(DIESEL)**

CAV	CIRCUIT	FUNCTION
1	K35 18GY/YL	EGR SOLENOID CONTROL
2	F18 18LG/BK	IGN. FEED FOR EVIC



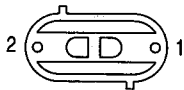
**ELECTRIC  
BRAKE**

CAV	CIRCUIT	FUNCTION
1	A6 12RD/OR	FUSED B (+)
2	B40 12LB	TRAILER TOW B (+)
3	L50 18WT/TN	STOP LAMP SWITCH OUTPUT
4	Z3 18BK/OR	GROUND



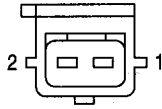
**ENGINE COOLANT  
TEMPERATURE  
SENSOR  
(DIESEL)**

CAV	CIRCUIT	FUNCTION
1	K4 20BK/LB	SENSOR GROUND
2	K2 18TN/BK	ENGINE COOLANT TEMPERATURE SENSOR SIGNAL



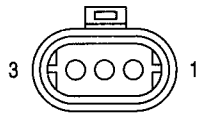
**ENGINE COOLANT  
TEMPERATURE  
SENSOR  
(GAS)**

CAV	CIRCUIT	FUNCTION
1	K4 18BK/LB	SENSOR GROUND
2	K2 18TN/BK	ENGINE COOLANT TEMPERATURE SENSOR SIGNAL



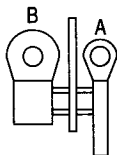
**ENGINE OIL  
PRESSURE SENSOR**

CAV	CIRCUIT	FUNCTION
1	K4 18BK/LB	SENSOR GROUND
2	G60 18GY/OR	ENGINE OIL PRESSURE SENSE TO PCM



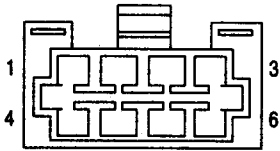
**ENGINE  
SPEED SENSOR  
(DIESEL)**

CAV	CIRCUIT	FUNCTION
1	K6 20VT/WT	5 VOLT SUPPLY
2	K4 20BK/LB	SENSOR GROUND
3	K24 18GY/BK	CRANK POSITION SENSOR SIGNAL



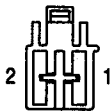
**ENGINE STARTER  
MOTOR**

CAV	CIRCUIT	FUNCTION
A	T40 14BR	STARTER RELAY OUPUT
B	A0 6RD	B (+)



**FOG LAMP SWITCH**

CAV	CIRCUIT	FUNCTION
1	Z3 22BK/OR	GROUND
2	Z3 22BK/OR	GROUND
3	L35 22BR/YL	FOG LAMP RELAY CONTROL
4	L39 22LB	FRONT FOG LAMP SWITCH OUPUT
5	E2 22OR	FUSED PANEL LAMPS DIMMER SWITCH SENSE
6	-	-



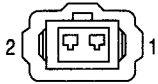
**FRONT VERTICAL SEAT MOTOR**

CAV	CIRCUIT	FUNCTION
1	P19 14YL/LG	LEFT FRONT POWER SEAT FRONT VERTICAL UP
2	P21 14RD/LG	LEFT FRONT POWER SEAT FRONT DOWN



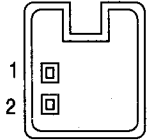
**FUEL HEATER (DIESEL)**

CAV	CIRCUIT	FUNCTION
1	A93 14RD/BK	FUEL HEATER RELAY OUTPUT
2	Z12 14BK/TN	GROUND



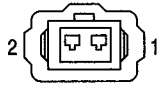
**FUEL INJECTOR  
NO. 1  
(3.9L/5.2L/5.9L)**

CAV	CIRCUIT	FUNCTION
1	K11 18WT/DB	INJECTOR NO. 1 DRIVER
2	A142 14DG/OR	AUTO SHUTDOWN RELAY OUPUT



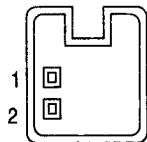
**FUEL INJECTOR  
NO. 1  
(8.0L)**

CAV	CIRCUIT	FUNCTION
1	K11 18WT/DB	INJECTOR NO.1 DRIVER
2	A142 16DG/OR	AUTO SHUTDOWN RELAY OUPUT



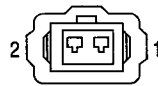
**FUEL INJECTOR  
NO. 2  
(3.9L/5.2L/5.9L)**

CAV	CIRCUIT	FUNCTION
1	K12 18TN	INJECTOR NO. 2 DRIVER
2	A142 14DG/OR	AUTO SHUTDOWN RELAY OUTPUT



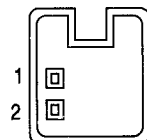
**FUEL INJECTOR  
NO. 2  
(8.0L)**

CAV	CIRCUIT	FUNCTION
1	K12 18TN	INJECTOR NO. 2 DRIVER
2	A142 16DG/OR	AUTO SHUTDOWN RELAY OUTPUT



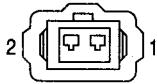
**FUEL INJECTOR  
NO. 3  
(3.9L/5.2L/5.9L)**

CAV	CIRCUIT	FUNCTION
1	K13 18YL/WT	INJECTOR NO. 3 DRIVER
2	A142 14DG/OR	AUTO SHUTDOWN RELAY OUPUT



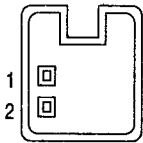
**FUEL INJECTOR  
NO. 3  
(8.0L)**

CAV	CIRCUIT	FUNCTION
1	K13 18YL/WT	AUTO SHUTDOWN RELAY OUTPUT
2	A142 16DG/OR	INJECTOR NO. 3 DRIVER



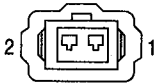
**FUEL INJECTOR  
NO. 4  
(3.9L/5.2L/5.9L)**

CAV	CIRCUIT	FUNCTION
1	K14 18LB/BR	INJECTOR NO. 4 DRIVER
2	A142 14DG/OR	AUTO SHUTDOWN RELAY OUTPUT



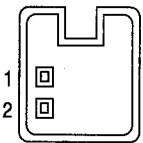
**FUEL INJECTOR  
NO. 4  
(8.0L)**

CAV	CIRCUIT	FUNCTION
1	K14 18LB/BR	AUTO SHUTDOWN RELAY OUTPUT
2	A142 16DG/OR	INJECTOR NO. 4 DRIVER



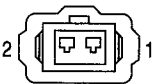
**FUEL INJECTOR  
NO. 5  
(3.9L/5.2L/5.9L)**

CAV	CIRCUIT	FUNCTION
1	K38 18GY	INJECTOR NO. 5 DRIVER
2	A142 14DG/OR	AUTO SHUTDOWN RELAY OUTPUT



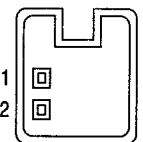
**FUEL INJECTOR  
NO. 5  
(8.0L)**

CAV	CIRCUIT	FUNCTION
1	K38 18GY	AUTO SHUTDOWN RELAY OUTPUT
2	A142 16DG/OR	INJECTOR NO. 5 DRIVER



**FUEL INJECTOR  
NO. 6  
(3.9L/5.2L/5.9L)**

CAV	CIRCUIT	FUNCTION
1	K58 18BR/DB	INJECTOR NO. 6 DRIVER
2	A142 14DG/OR	AUTO SHUTDOWN RELAY OUTPUT



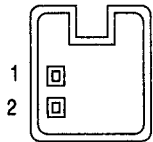
**FUEL INJECTOR  
NO. 6  
(8.0L)**

CAV	CIRCUIT	FUNCTION
1	K58 18BR/DB	AUTO SHUTDOWN RELAY OUTPUT
2	A142 16DG/OR	INJECTOR NO. 6 DRIVER



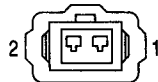
**FUEL INJECTOR  
NO. 7  
(5.2L/5.9L)**

CAV	CIRCUIT	FUNCTION
1	K26 18VT/TN **	INJECTOR NO. 7 DRIVER
	K38 18GY *	INJECTOR NO. 5 DRIVER
2	A142 14DG/OR	AUTO SHUTDOWN RELAY OUTPUT



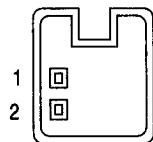
**FUEL INJECTOR  
NO. 7  
(8.0L)**

CAV	CIRCUIT	FUNCTION
1	K26 18VT/TN	INJECTOR NO. 7 DRIVER
2	A142 16DG/OR	AUTO SHUTDOWN RELAY OUTPUT



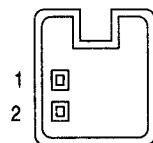
**FUEL INJECTOR  
NO. 8  
(5.2L/5.9L)**

CAV	CIRCUIT	FUNCTION
1	K28 18GY/LB	INJECTOR NO. 8 DRIVER
2	A142 14DG/OR	AUTO SHUTDOWN RELAY OUTPUT



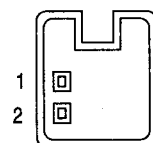
**FUEL INJECTOR  
NO. 8  
(8.0L)**

CAV	CIRCUIT	FUNCTION
1	K28 18GY/LB	INJECTOR NO. 8 DRIVER
2	A142 16DG/OR	AUTO SHUTDOWN RELAY OUTPUT



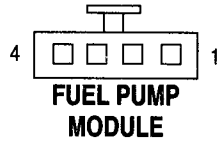
**FUEL INJECTOR  
NO. 9  
(8.0L)**

CAV	CIRCUIT	FUNCTION
1	K115 18TN/BK	INJECTOR NO. 9 DRIVER
2	A142 16DG/OR	AUTO SHUTDOWN RELAY OUTPUT

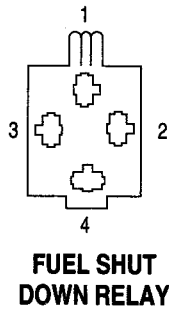


**FUEL INJECTOR  
NO. 10  
(8.0L)**

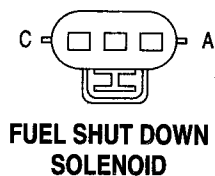
CAV	CIRCUIT	FUNCTION
1	K116 18WT	INJECTOR NO. 10 DRIVER
2	A142 16DG/OR	AUTO SHUTDOWN RELAY OUTPUT



CAV	CIRCUIT	FUNCTION
1	Z13 16BK	GROUND
2	K4 20BK/LB	SENSOR GROUND
3	K226 20DB/WT	FUEL LEVEL SENSOR
4	A61 16DG/BK	AUTO SHUTDOWN RELAY OUPUT

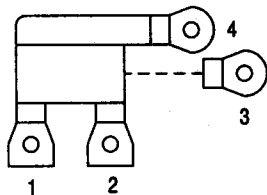


CAV	CIRCUIT	FUNCTION
1	A18 10RD/BK	FUSED B(+)
2	T40 12BR	ENGINE STARTER MOTOR RELAY OUTPUT
3	Z12 18BK/TN	GROUND
4	A123 10RD/VT	FUEL SHUT DOWN RELAY OUTPUT



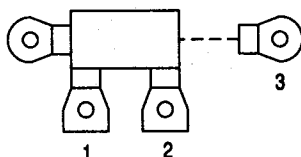
CAV	CIRCUIT	FUNCTION
A	F18 20LG/BK	FUSED IGN. (ST-RUN)
B	A123 10RD/VT	FUEL SHUT DOWN RELAY OUTPUT
C	Z12 10BK/TN	GROUND





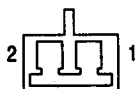
**GENERATOR  
(DIESEL)**

CAV	CIRCUIT	FUNCTION
1	K20 18DG	GENERATOR FIELD DRIVER
2	T125 18WT/DB	GENERATOR FIELD B(+)
3	A11 4BK	GENERATOR OUTPUT
4	Z1 6BK	GROUND



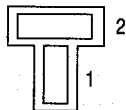
**GENERATOR  
(GAS)**

CAV	CIRCUIT	FUNCTION
1	K20 18DG	GENERATOR FIELD DRIVER
2	T125 18DB	GENERATOR FIELD B(+)
3	Z1 6BK	GROUND



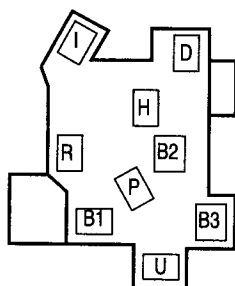
**GLOVE BOX  
LAMP**

CAV	CIRCUIT	FUNCTION
1	M1 20PK	FUSED B(+)
2	Z3 20BK/OR	GROUND



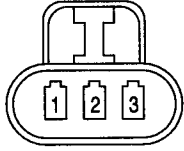
**HEADLAMP SWITCH - C1**

CAV	CIRCUIT	FUNCTION
1	M2 20YL	COURTESY LAMPS SWITCH OUTPUT
2	Z3 20BK/OR	GROUND



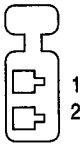
**HEADLAMP SWITCH - C2**

CAV	CIRCUIT	FUNCTION
B1	A3 12RD/WT	FUSED B (+)
B2	F33 14PK/RD	FUSED B (+)
B3	G26 22LB	KEY-IN IGN. SWITCH SENSE
D	M3 22PK/DB	CARGO LAMP DRIVER
H	L2 16LG	HEADLAMP SWITCH OUTPUT
I	E1 18TN	PANEL LAMPS DIMMER SWITCH SIGNAL
P	L11 16LG/BK	FLASH TO PASS DRIVER
R	L7 16BK/YL	PARK LAMP SWITCH OUPUT
U	G75 22TN	LEFT DOOR AJAR SWITCH SENSE



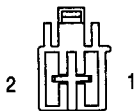
**HEATED  
MIRROR SWITCH**

CAV	CIRCUIT	FUNCTION
1	F15 20DB	FUSED IGN. (RUN)
2	Z3 22BK/OR	GROUND
3	C16 22LB/YL	REAR DEFOGGER LAMP DRIVER



**HIGH NOTE  
HORN**

CAV	CIRCUIT	FUNCTION
1	X2 18DG/RD	HORN RELAY OUTPUT
2	Z1 18BK	GROUND

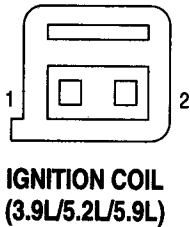


**HORIZONTAL  
SEAT MOTOR**

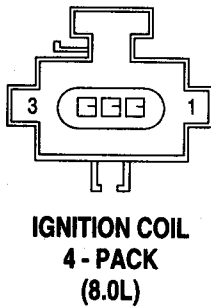
CAV	CIRCUIT	FUNCTION
1	P17 14DB/RD	LEFT POWER SEAT HORIZONTAL REARWARD
2	P15 14YL/LB	LEFT POWER SEAT HORIZONTAL FORWARD



CAV	CIRCUIT	FUNCTION
1	K39 18GY/RD	IDLE AIR CONTROL NO. 1 DRIVER
2	K60 18YL/BK	IDLE AIR CONTROL NO. 2 DRIVER
3	K40 18BR/WT	IDLE AIR CONTROL NO. 3 DRIVER
4	K59 18VT/BK	IDLE AIR CONTROL NO. 4 DRIVER



CAV	CIRCUIT	FUNCTION
1	A142 14DG/OR	AUTO SHUTDOWN RELAY OUTPUT
1	K19 16BK/GY*	IGNITION COIL DRIVER
2	K19 16BK/GY	IGNITION COIL DRIVER
2	A142 14DG/OR*	AUTO SHUTDOWN RELAY OUTPUT



CAV	CIRCUIT	FUNCTION
1	K17 18DB/WT	IGNITION COIL NO. 2 DRIVER
2	A142 14DG/OR	AUTO SHUTDOWN RELAY OUTPUT
3	K18 18RD/BK	IGNITION COIL NO. 3 DRIVER



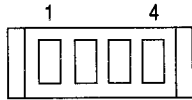
CAV	CIRCUIT	FUNCTION
1	K19 18BK/GY	IGNITION COIL NO. 1 DRIVER
2	A142 14DG/OR	AUTO SHUTDOWN RELAY OUTPUT
3	K32 18YL/GY	IGNITION COIL NO. 4 DRIVER
4	K43 18DG/GY	IGNITION COIL NO. 5 DRIVER

\* 5.9L HEAVY DUTY



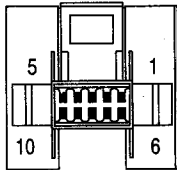
**IGNITION  
SWITCH - C1**

CAV	CIRCUIT	FUNCTION
1	A41 14YL	IGN. SWITCH OUTPUT (ST)
2	A21 10DB	IGN SWITCH OUTPUT (ST-RUN)
3	-	-
4	A2 14PK/BK	FUSED B (+)
5	A22 14BK/OR	IGN SWITCH OUTPUT (RUN)
6	A31 10BK/WT	IGN SWITCH OUTPUT (RUN-ACC)
7	A1 10RD	FUSED B (+)



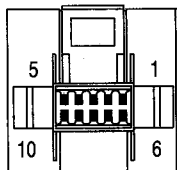
**IGNITION  
SWITCH - C2**

CAV	CIRCUIT	FUNCTION
1	G75 22TN	LEFT DOOR AJAR SWITCH SENSE
2	G26 22LB	KEY-IN IGNITION SWITCH SENSE
3	M1 22PK	FUSED B (+)
4	M50 22YL/RD	HALO LAMP DRIVER



**INSTRUMENT  
CLUSTER - C1**

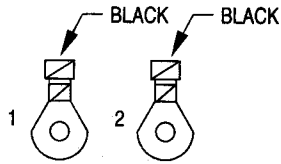
CAV	CIRCUIT	FUNCTION
1	G85 22OR/BK	WAIT-TO-START WARNING LAMP DRIVER
2	G5 22DB/WT	FUSED IGN. (ST-RUN)
3	G11 22WT/LG	PARK BRAKE SWITCH SENSE
4	Z2 20BK/LG	GROUND
5	Z3 20BK/OR	GROUND
6	F73 20YL	FUSED B (+)
7	T18 22LG/OR	TRS OVERDRIVE SENSE
8	G69 22BK*	VTSS INDICATOR LAMP DRIVER
	G85 22OR/BK**	WAIT-TO-START WARNING LAMP DRIVER
9	D2 20WT/BK	CCD BUS (-)
10	D1 20VT/BR	CCD BUS (+)



**INSTRUMENT  
CLUSTER - C2**

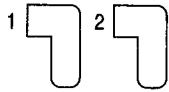
CAV	CIRCUIT	FUNCTION
1	E2 22OR	PANEL LAMPS FEED
2	G29 22BK/WT	LOW WASHER FLUID SENSE
3	G10 22LG/RD	SEAT BELT SWITCH SENSE
4	-	-
5	L7 18BK/YL	PARK LAMP RELAY OUTPUT
6	L61 18LG	LEFT TURN SIGNAL
7	G13 22DB/RD	TONE REQUEST
8	L60 18TN	RIGHT TURN SIGNAL
9	G34 16RD/GY	HIGH BEAM INDICATOR DRIVER
10	G107 22BK/GY	4WD SWITCH SENSE

\*CTM MODULE  
\*\* DIESEL



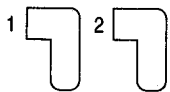
**INTAKE AIR  
HEATER  
(DIESEL)**

CAV	CIRCUIT	FUNCTION
1	A58 6BK	FUSED B(+)
2	A122 6BK	FUSED B(+)



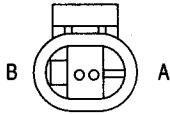
**INTAKE AIR  
HEATER RELAY  
NO. 1  
(DIESEL)**

CAV	CIRCUIT	FUNCTION
1	F18 20LG/BK	FUSED IGN. (ST-RUN)
2	S21 18YL/BK	AIR INTAKE HEATER RELAY NO. 1 CONTROL



**INTAKE AIR  
HEATER RELAY  
NO. 2  
(DIESEL)**

CAV	CIRCUIT	FUNCTION
1	F18 20LG/BK	FUSED IGN. (ST-RUN)
2	S22 18OR/BK	AIR INTAKE HEATER RELAY NO. 2 CONTROL



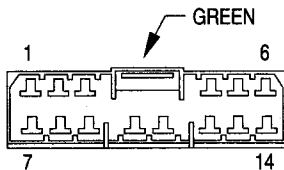
**INTAKE AIR  
TEMPERATURE SENSOR  
(DIESEL)**

CAV	CIRCUIT	FUNCTION
A	K4 18BK/LB	SENSOR GROUND
B	K21 18BK/RD	INTAKE AIR TEMPERATURE SIGNAL



**INTAKE AIR  
TEMPERATURE SENSOR  
(GAS)**

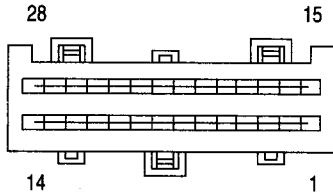
CAV	CIRCUIT	FUNCTION
A	K4 18BK/LB	SENSOR GROUND
B	K21 18BK/RD	INTAKE AIR TEMPERATURE SIGNAL



**INTEGRATED  
ELECTRONIC  
MODULE  
(BASE CTM)**

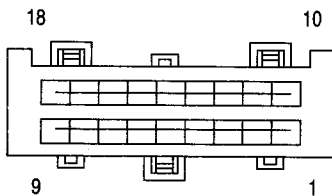
CAV	CIRCUIT	FUNCTION
1	G75 22TN	LEFT DOOR AJAR SWITCH SENSE
2	G13 22DB/RD	SEAT BELT LAMP DRIVER
3	V8 16VT	INTERMITTENT WIPER SENSE
4	V18 22YL/DG	WIPER RELAY
5	G16 22BK/LB	RIGHT DOOR JAMB SWITCH SENSE
6	Z2 22BK/LG	GROUND
7	-	-
8	V6 16DB	WIPER PARK SWITCH FEED
8	F12 22DB/WT*	FUSED IGN. (ST-RUN)
9	G26 22LB	KEY-IN IGNITION SWITCH SENSE
10	V10 16BR	WASHER PUMP CONTROL
11	V5 16DG	WIPER SWITCH MODE SENSE
12	V9 16WT/DB	WIPER SWITCH MODE SIGNAL
13	M50 22YL/RD	KEY-IN LAMP DRIVER
14	F35 22RD	FUSED B(+)

\* CTM



**JOINT  
CONNECTOR NO. 1  
(IN PDC)**

CAV	CIRCUIT	FUNCTION
1	V40 20WT/PK	BRAKE SWITCH SENSE
2	V40 22WT/PK	BRAKE SWITCH SENSE
3	V40 22WT/PK	BRAKE SWITCH SENSE
4	L4 16VT/WT	SENSOR RETURN
5	L4 16VT/WT	SENSOR RETURN
6	L4 16VT/WT	SENSOR RETURN
7	L4 16VT/WT	SENSOR RETURN
8	L4 16VT/WT	SENSOR RETURN
9	L1 18VT/BK	FUSED IGN. (ST)
10	L1 18VT/BK	FUSED IGN. (ST)
11	L1 18VT/BK	FUSED IGN. (ST)
12	X2 20DG/RD	HORN RELAY OUTPUT
13	X2 18DG/RD	HORN RELAY OUTPUT
14	X2 18DG/RD	HORN RELAY OUTPUT
15	K4 22BK/LB	SENSOR GROUND
16	K4 22BK/LB*	SENSOR GROUND
16	K4 20BK/LB**	SENSOR GROUND
17	K4 20BK/LB	SENSOR GROUND
18	K4 20BK/LB	SENSOR GROUND
19	Z1 22BK	GROUND
20	Z1 22BK	GROUND
21	Z1 22BK	GROUND
22	Z1 18BK	GROUND
23	Z1 20BK	GROUND
24	Z1 22BK	GROUND
25	Z1 22BK	GROUND
26	-	-
27	Z1 18BK	GROUND
28	Z1 18BK	GROUND

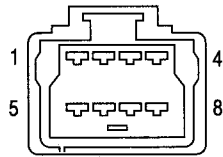


**JOINT  
CONNECTOR NO. 2  
(IN PDC)**

CAV	CIRCUIT	FUNCTION
1	A2 14PK/BK	FUSED B(+)
2	A2 14PK/BK	FUSED B(+)
3	A2 14PK/BK	FUSED B(+)
4	V5 16DG	WIPER SWITCH MODE SENSE
5	V5 16DG	WIPER SWITCH MODE SENSE
6	V5 16DG	WIPER SWITCH MODE SENSE
7	A142 14DG/OR*	AUTO SHUT DOWN RELAY OUTPUT
7	T40 14BR**	STARTER RELAY OUTPUT
8	A142 14DG/OR*	AUTO SHUT DOWN RELAY OUTPUT
8	T40 14BR**	STARTER RELAY OUTPUT
9	A142 14DG/OR*	AUTO SHUT DOWN RELAY OUTPUT
9	T40 14BR**	STARTER RELAY OUTPUT
10	A14 16RD/WT	FUSED B(+)
11	-	-
12	A14 16RD/WT	FUSED B(+)
12	A14 16RD/WT	FUSED B(+)
13	A14 16RD/WT	FUSED B(+)
14	A14 16RD/WT	FUSED B(+)
15	A6 12RD/OR	FUSED B(+)
16	A6 12RD/OR	FUSED B(+)
17	A6 12RD/OR	FUSED B(+)
18	A6 12RD/OR	FUSED B(+)

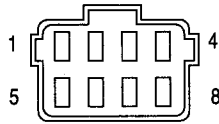
\* GAS  
\*\* DIESEL





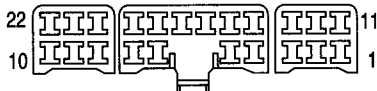
**JOINT  
CONNECTOR NO. 3**

CAV	CIRCUIT	FUNCTION
1	Z1 20BK	GROUND
2	Z1 20BK	GROUND
3	G107 20BK/GY	4WD SENSE
4	G107 20BK/GY	4WD SENSE
5	Z1 18BK	GROUND
6	Z1 18BK	GROUND
7	G107 20BK/GY	4WD SENSE
8	-	-



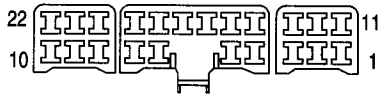
**JOINT  
CONNECTOR NO. 4**

CAV	CIRCUIT	FUNCTION
1	Z1 18BK	GROUND
2	Z1 18BK	GROUND
3	Z1 18BK	GROUND
4	Z1 20BK	GROUND
5	Z1 18BK	GROUND
6	Z1 20BK	GROUND
7	Z1 20BK	GROUND
8	Z1 20BK	GROUND



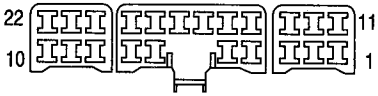
**JOINT  
CONNECTOR NO. 5**

CAV	CIRCUIT	FUNCTION
1	Z3 20BK/OR	GROUND
2	Z3 18BK/OR	GROUND
3	Z3 22BK/OR	GROUND
4	-	-
5	M1 20PK	FUSED B(+)
6	M1 20PK	FUSED B(+)
7	M1 22PK	FUSED B(+)
8	E2 22OR	PANEL LAMPS FEED
9	E2 22OR	PANEL LAMPS FEED
10	-	-
11	Z3 18BK/OR	GROUND
12	Z3 22BK/OR	GROUND
13	Z3 22BK/OR	GROUND
14	M1 22PK	FUSED B(+)
15	M1 22PK	FUSED B(+)
16	M1 22PK	FUSED B(+)
17	-	-
18	-	-
19	-	-
20	E2 22OR	PANEL LAMPS FEED
21	E2 22OR	PANEL LAMPS FEED
22	E2 22OR	PANEL LAMPS FEED



**JOINT  
CONNECTOR NO. 6**

CAV	CIRCUIT	FUNCTION
1	D21 20PK/DB	SCI TRANSMIT
2	D21 20PK/DB	SCI TRANSMIT
3	D21 20PK/DB	SCI TRANSMIT
4	G75 22TN	LEFT DOOR AJAR SWITCH SENSE
5	G75 22TN	LEFT DOOR AJAR SWITCH SENSE
6	M2 20YL	COURTESY LAMP SWITCH OUTPUT
7	M2 22YL	COURTESY LAMP SWITCH OUTPUT
8	G26 22LB	KEY-IN IGN. SWITCH SENSE
9	G26 22LB	KEY-IN IGN. SWITCH SENSE
10	G26 22LB	KEY-IN IGN. SWITCH SENSE
11	G11 20WT/LG	PARKING BRAKE SWITCH SENSE
12	G11 22WT/LG	PARKING BRAKE SWITCH SENSE
13	G11 22WT/LG	PARKING BRAKE SWITCH SENSE
14	G75 22TN	LEFT DOOR AJAR SWITCH SENSE
15	G75 22TN	LEFT DOOR AJAR SWITCH SENSE
16	-	-
17	-	-
18	M2 20YL	COURTESY LAMP SWITCH OUTPUT
19	M2 22YL	COURTESY LAMP SWITCH OUTPUT
20	X3 22BK/RD	HORN RELAY CONTROL
21	X3 22BK/RD	HORN RELAY CONTROL
22	X3 22BK/RD	HORN RELAY CONTROL



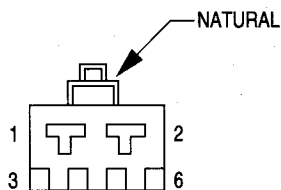
**JOINT  
CONNECTOR NO. 7**

CAV	CIRCUIT	FUNCTION
1	D1 18VT/BR	CCD BUS(+)
2	D1 18VT/BR	CCD BUS(+)
3	D1 20VT/BR	CCD BUS(+)
4	D2 18WT/BK	CCD BUS(-)
5	D2 18WT/BK	CCD BUS(-)
6	D2 20WT/BK	CCD BUS(-)
7	D2 20WT/BK	CCD BUS(-)
8	D1 20VT/BR	CCD BUS(+)
9	D1 20VT/BR	CCD BUS(+)
10	D1 20VT/BR	CCD BUS(+)
11	D1 20VT/BR	CCD BUS(+)
12	D1 20VT/BR	CCD BUS(+)
13	D1 20VT/BR	CCD BUS(+)
14	D2 20WT/BK	CCD BUS(-)
15	D2 20WT/BK	CCD BUS(-)
16	D2 20WT/BK	CCD BUS(-)
17	-	-
18	-	-
19	-	-
20	-	-
21	-	-
22	-	-



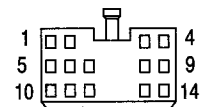
**JUNCTION  
BLOCK - C1**

CAV	CIRCUIT	FUNCTION
1	M2 20YL	DOOR LATCH SWITCH SENSE
2	G31 20VT/LG	AMBIENT TEMPERATURE SENSOR SIGNAL
3	A20 20RD/DB	FUSED B(+)
4	L61 18LG	LEFT TURN SIGNAL
5	V6 16DB	FUSED IGN. (RUN-ACC)
6	-	-
7	-	-
8	-	-
9	L7 18BK/YL	PARK LAMP RELAY OUTPUT
10	F18 20LG/BK	FUSED IGN. (ST-RUN)
11	L1 18VT/BK	BACK-UP LAMP FEED
12	V6 16DB	FUSED IGN. (RUN-ACC)
13	V6 16DB	FUSED IGN. (RUN-ACC)
14	G32 20BK/VT	SENSOR GROUND
15	-	-



**JUNCTION  
BLOCK - C2**

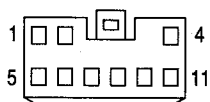
CAV	CIRCUIT	FUNCTION
1	A7 10RD/BK	FUSED B(+)
2	L9 16BK/VT	FUSED FLASHER FEED
3	M1 20PK	FUSED B(+)
4	M1 20PK	FUSED B(+)
5	L60 18TN	RIGHT TURN SIGNAL
6	-	-



**JUNCTION  
BLOCK - C3**

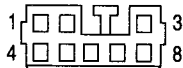
CAV	CIRCUIT	FUNCTION
1	G32 22BK/LB	SENSOR GROUND
2	Z2 20BK/LG	GROUND
3	M2 22YL	COURTESY LAMP DRIVER
4	-	-
5	G31 22VT/LG	ATC BLOWER MODULE (-)
6	M1 20PK	FUSED B(+)
7	-	-
8	L7 18BK/YL •	PARK LAMP RELAY OUTPUT
	L7 20BK/YL	PARK LAMP RELAY OUTPUT
9	E2 22OR	PANEL LAMPS FEED
10	-	-
11	L1 22VT/BK	BACK-UP LAMP FEED
12	-	-
13	Z4 18BK	GROUND
14	F12 20DB/WT	FUSED IGN. (ST-RUN)

• CLEARANCE AND ID LAMPS



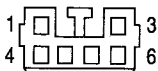
**JUNCTION  
BLOCK - C4**

CAV	CIRCUIT	FUNCTION
1	F14 18LG/YL	FUSED IGN. (ST-RUN)
2	F23 18DB/YL	FUSED IGN. (RUN)
3	X12 18RD/WT	FUSED IGN. (RUN-ACC)
4	L61 18LG	LEFT TURN SIGNAL
5	F12 22DB/WT	FUSED IGN. (ST-RUN)
6	F12 22DB/WT	FUSED IGN. (ST-RUN)
7	-	-
8	F12 22DB/WT	FUSED IGN. (ST-RUN)
9	E1 18TN	PANEL LAMPS DIMMER SWITCH SIGNAL
10	-	-
11	-	-



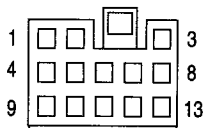
**JUNCTION  
BLOCK - C5**

CAV	CIRCUIT	FUNCTION
1	V6 16DB	FUSED IGN. (RUN-ACC)
2	L61 18LG	LEFT TURN SIGNAL
3	X60 16DG/RD	RADIO 12 VOLT SUPPLY
4	V6 16DB	FUSED IGN. (RUN-ACC)
5	-	-
6	M2 22YL	COURTESY LAMPS SWITCH OUTPUT
7	E2 22OR	FUSED PANEL LAMPS DIMMER SWITCH SIGNAL
8	G5 22DB/WT	FUSED IGN. (ST-RUN)



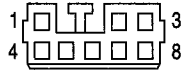
**JUNCTION  
BLOCK - C6**

CAV	CIRCUIT	FUNCTION
1	F33 14PK/RD	FUSED IGN. (ST-RUN)
2	-	-
3	-	-
4	L19 16PK	HAZARD FLASHER SIGNAL
5	-	-
6	L10 18BR/LG	BACK-UP LAMP FEED



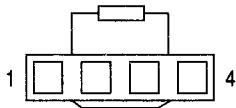
**JUNCTION  
BLOCK - C7**

CAV	CIRCUIT	FUNCTION
1	L60 18TN	RIGHT TURN SIGNAL
2	-	-
3	Z3 18BK/WT	GROUND
4	L60 18TN	RIGHT TURN SIGNAL
5	L7 18BK/YL	PARK LAMP RELAY OUTPUT
6	L7 18BK/YL	PARK LAMP RELAY OUTPUT
7	-	-
8	Z2 22BK/LG	GROUND
9	M1 22PK	FUSED B(+)
10	F35 22RD	FUSED B(+)
11	F35 22RD	FUSED B(+)
12	-	-
13	L6 16RD/GY	FLASHER OUTPUT



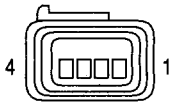
**JUNCTION  
BLOCK - C8**

CAV	CIRCUIT	FUNCTION
1	F30 18RD/OR	FUSED IGN. (RUN-ACC)
2	-	-
3	F13 18DB	FUSED IGN. (RUN-ACC)
4	F73 20YL	FUSED IGN. (ST-RUN)
5	-	-
6	-	-
7	F37 16RD/LB	FUSED HEADLAMP SWITCH OUTPUT
8	F21 16TN	FUSED IGN. (RUN)



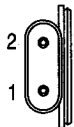
**JUNCTION  
BLOCK - C9**

CAV	CIRCUIT	FUNCTION
1	A31 10BK/WT	IGN. SWITCH OUTPUT (RUN-ACC)
2	A21 10DB	IGN. SWITCH OUTPUT (ST-RUN)
3	A22 14BK/OR	IGN. SWITCH OUTPUT (RUN)
4	F15 18DB	FUSED IGN. (RUN)



**LEAK DETECTION  
PUMP**

CAV	CIRCUIT	FUNCTION
1	-	-
2	F12 20DB/WT	FUSED IGN. (ST-RUN)
3	K106 18WT/DG	LEAK DETECTION PUMP SOLENOID CONTROL
4	K107 18OR	LEAK DETECTION PUMP SWITCH SENSE



**LEFT BACK-UP  
LAMP**

CAV	CIRCUIT	FUNCTION
1	Z13 18BK	GROUND
2	L1 18VT/BK	BACK-UP LAMPS FEED



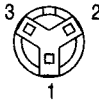
**LEFT DOOR  
DISARM SWITCH**

CAV	CIRCUIT	FUNCTION
1	Z2 20BK/LG	GROUND
2	G73 20LG/OR	LEFT DOOR KEY CYLINDER SWITCH SENSE



**LEFT DOOR JAMB SWITCH (CTM)**

CAV	CIRCUIT	FUNCTION
1	Z2 18BK/LG	GROUND
2	G75 18TN	LEFT DOOR AJAR SWITCH SENSE



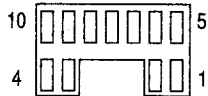
**LEFT DOOR JAMB SWITCH (IEM)**

CAV	CIRCUIT	FUNCTION
1	Z2 18BK/LG	GROUND
2	G75 18TN	LEFT DOOR AJAR SWITCH SENSE
3	M2 18YL	DOOR LATCH SWITCH SENSE



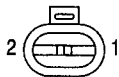
**LEFT DOOR LOCK MOTOR**

CAV	CIRCUIT	FUNCTION
1	P34 20PK/BK	DOOR UNLOCK DRIVER
2	P33 20OR/BK	DOOR LOCK DRIVER



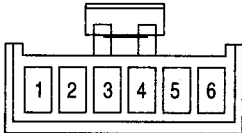
**LEFT DOOR WINDOW/LOCK SWITCH**

CAV	CIRCUIT	FUNCTION
1	Q16 16BR/WT	WINDOW SWITCH RIGHT FRONT UP
2	Q26 16VT/WT	WINDOW SWITCH RIGHT FRONT DOWN
3	Z2 16BK/LG	GROUND
4	Q21 16WT	LEFT FRONT WINDOW DRIVER DOWN
5	F21 16TN	FUSED IGN. (RUN-ON)
6	Q11 16LB	LEFT FRONT WINDOW DRIVER UP
7	P36 20PK/VT	DOOR UNLOCK SWITCH SENSE
8	P35 20OR/VT	DOOR LOCK SWITCH SENSE
9	Z2 20BK/LG	GROUND
10	F35 20RD	FUSED B(+)



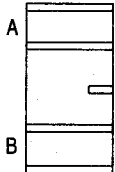
**LEFT FOG LAMP**

CAV	CIRCUIT	FUNCTION
1	Z1 20BK	GROUND
2	L39 20LB	FRONT FOG LAMP SWITCH OUTPUT



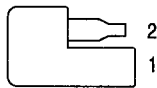
**LEFT FRONT  
DOOR SPEAKER  
(PREMIUM)**

CAV	CIRCUIT	FUNCTION
1	X53 18DG	LEFT FRONT SPEAKER (+)
2	Z9 16BK/VT	GROUND
3	X83 20YL/RD	AMPLIFIED LEFT INSTRUMENT PANEL (+)
4	X55 18BR/RD	LEFT FRONT SPEAKER (-)
5	X13 16BK/RD	RADIO CHOKE OUTPUT
6	X81 20YL/BK	AMPLIFIED LEFT INSTRUMENT PANEL (-)



**LEFT FRONT  
DOOR SPEAKER  
(STANDARD)**

CAV	CIRCUIT	FUNCTION
A	X55 18BR/RD	LEFT DOOR SPEAKER (-)
B	X53 18DG	LEFT DOOR SPEAKER (+)



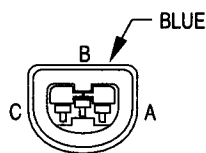
**LEFT FRONT  
FENDER LAMP  
(DUAL REAR WHEELS)**

CAV	CIRCUIT	FUNCTION
1	Z13 18BK	GROUND
2	L7 18BK/YL	PARK LAMP SWITCH OUTPUT



**LEFT FRONT  
WHEEL SPEED  
SENSOR (ABS)**

CAV	CIRCUIT	FUNCTION
1	B8 20RD/GY	LEFT FRONT WHEEL SPEED SENSOR (-)
2	B9 20RD	LEFT FRONT WHEEL SPEED SENSOR (+)



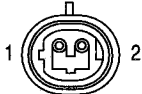
**LEFT  
HEADLAMP**

CAV	CIRCUIT	FUNCTION
A	Z1 20BK	GROUND
B	L4 16VT/WT	DIMMER SWITCH LOW BEAM OUTPUT
C	L3 16RD/OR	DIMMER SWITCH HIGH BEAM OUTPUT



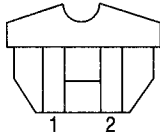
**LEFT  
LICENSE LAMP**

CAV	CIRCUIT	FUNCTION
1	Z13 18BK	GROUND
2	L7 18BK/YL	PARK LAMP SWITCH OUTPUT



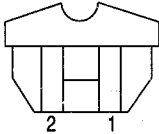
**LEFT  
LICENSE LAMP  
(DUAL REAR WHEELS)**

CAV	CIRCUIT	FUNCTION
1	L7 18BK/YL	PARK LAMP SWITCH OUTPUT
2	Z13 18BK	GROUND



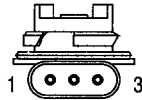
**LEFT OUTBOARD  
CLEARANCE LAMP**

CAV	CIRCUIT	FUNCTION
1	L7 18BK/YL	PARK LAMP SWITCH OUTPUT
2	Z4 18BK	GROUND



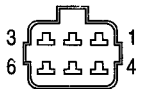
**LEFT OUTBOARD  
IDENTIFICATION  
LAMP**

CAV	CIRCUIT	FUNCTION
1	L7 18BK/YL	PARK LAMP SWITCH OUTPUT
2	Z4 18BK	GROUND



**LEFT PARK/  
TURN SIGNAL LAMP**

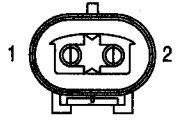
CAV	CIRCUIT	FUNCTION
1	Z1 18BK	GROUND
2	L7 18BK/YL	PARK LAMP SWITCH OUTPUT
3	L61 18LG/TN	LEFT TURN SIGNAL



**LEFT POWER  
MIRROR MOTORS**

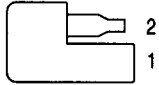
CAV	CIRCUIT	FUNCTION
1	P71 22YL	LEFT POWER MIRROR LEFT MOVEMENT
2	P75 22DB/WT	LEFT POWER MIRROR UP MOVEMENT
3	P73 22YL/PK	LEFT POWER MIRROR RIGHT/DOWN MOVEMENT
4	C16 20LB/YL	REAR DEFOGGER LAMP DRIVER
5	Z2 20BK/LG	GROUND
6	-	-





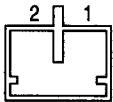
**LEFT POWER  
WINDOW MOTOR**

CAV	CIRCUIT	FUNCTION
1	Q11 16LB	POWER WINDOW UP CONTROL
2	Q21 16WT	POWER WINDOW DOWN CONTROL



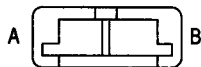
**LEFT REAR  
FENDER LAMP  
(DUAL REAR WHEELS)**

CAV	CIRCUIT	FUNCTION
1	Z13 18BK	GROUND
2	L7 18BK/YL	PARK LAMP SWITCH OUTPUT



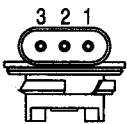
**LEFT REAR  
SPEAKER  
(PREMIUM)**

CAV	CIRCUIT	FUNCTION
1	X57 18BR/LB	LEFT REAR SPEAKER (-)
2	X51 18BR/YL	LEFT REAR SPEAKER (+)



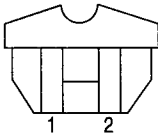
**LEFT REAR  
SPEAKER  
(STANDARD)**

CAV	CIRCUIT	FUNCTION
A	X57 18BR/LB	LEFT REAR SPEAKER (-)
B	X51 18BR/YL	LEFT REAR SPEAKER (+)



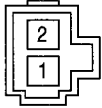
**LEFT TAIL/  
STOP/TURN  
SIGNAL LAMP**

CAV	CIRCUIT	FUNCTION
1	Z13 18BK	GROUND
2	L7 18BK/YL	PARK LAMP SWITCH OUTPUT
3	L63 16DG/RD	LEFT REAR TURN SIGNAL



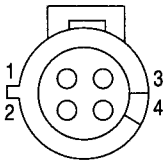
**LEFT  
TAILGATE LAMP  
(DUAL REAR WHEELS)**

CAV	CIRCUIT	FUNCTION
1	Z13 18BK	GROUND
2	L7 18BK/YL	PARK LAMP SWITCH OUTPUT



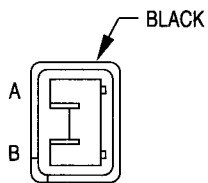
**LEFT TWEETER  
(PREMIUM)**

CAV	CIRCUIT	FUNCTION
1	X81 20YL/BK	AMPLIFIED LEFT INSTRUMENT PANEL SPEAKER(-)
2	X83 20YL/RD	AMPLIFIED LEFT INSTRUMENT PANEL SPEAKER(+)



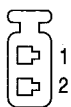
**LEFT UPSTREAM  
HEATED OXYGEN  
SENSOR  
(5.9L (HD)/8.0L)**

CAV	CIRCUIT	FUNCTION
1	A141 18DG/WT	AUTO SHUT DOWN RELAY OUTPUT
2	Z11 18BK/WT	GROUND
3	K4 18BK/LB	SENSOR GROUND
4	K41 18OR/BK	LEFT UPSTREAM HEATED OXYGEN SENSOR SIGNAL
4	K41 18BK/DG*	LEFT UPSTREAM HEATED OXYGEN SENSOR SIGNAL



**LEFT VISOR/  
VANITY LAMP**

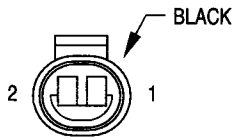
CAV	CIRCUIT	FUNCTION
A	M1 20PK	FUSED B(+)
B	Z4 20BK	GROUND



**LOW NOTE  
HORN**

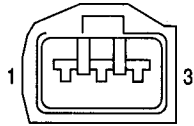
CAV	CIRCUIT	FUNCTION
1	X2 18DG/RD	HORN RELAY OUTPUT
2	Z1 18BK	GROUND

\* 8.0L



**LOW WASHER  
FLUID SWITCH**

CAV	CIRCUIT	FUNCTION
1	G29 18BK/WT	WASHER FLUID SWITCH SENSE
2	Z1 18BK	GROUND



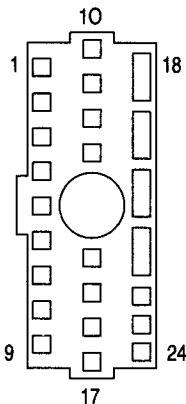
**MANIFOLD ABSOLUTE  
PRESSURE SENSOR  
(3.9L/5.2L/5.9L)**

CAV	CIRCUIT	FUNCTION
1	K4 20BK/LB	SENSOR GROUND
2	K1 18DG/RD	MAP SENSOR SIGNAL
3	K6 20VT/WT	5V SUPPLY



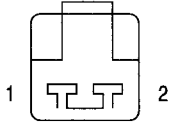
**MANIFOLD ABSOLUTE  
PRESSURE SENSOR  
(8.0L)**

CAV	CIRCUIT	FUNCTION
1	K4 20BK/LB	SENSOR GROUND
2	K6 18VT/WT	MAP SENSOR SIGNAL
3	K1 18DG/RD	5V SUPPLY



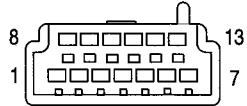
**MULTI-FUNCTION  
SWITCH**

CAV	CIRCUIT	FUNCTION
1	V9 16WT/DB	WIPER SWITCH MODE SIGNAL
2	V8 16VT	WIPER SWITCH MODE SIGNAL
3	V10 16BR	WIPER SWITCH MODE SIGNAL
4	V6 16DB	FUSED IGN. (RUN-ACC)
5	V4 16RD/YL	WIPER SWITCH HIGH SPEED OUTPUT
6	V3 18BR/WT	WIPER SWITCH LOW SPEED OUTPUT
7	V49 16RD/BK	WIPER PARK SWITCH SENSE
8	V49 16RD/BK	WIPER SWITCH DELAY OUTPUT
9	V3 16BR/WT	WIPER SWITCH LOW SPEED OUTPUT
10	-	-
11	L60 18TN	RIGHT TURN SIGNAL
12	L62 16BR/RD	RIGHT REAR TURN SIGNAL
13	L19 16PK	HAZARD FLASHER OUTPUT
14	L50 16WT/TN	STOP LAMP SWITCH OUTPUT
15	L63 16DG/RD	LEFT REAR TURN SIGNAL
16	L61 18LG	LEFT TURN SIGNAL
17	L6 16RD/GY	TURN SIGNAL FLASHER OUTPUT
18	L4 16VT/WT	DIMMER SWITCH LOW BEAM OUTPUT
19	L2 16LG	HEADLAMP SWITCH OUTPUT
20	L3 16RD/OR	DIMMER SWITCH HIGH BEAM OUTPUT
21	L11 16LG/BK	FLASH TO PASS CONTROL
22	-	-
23	-	-
24	-	-



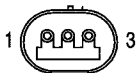
**OVERDRIVE SWITCH**

CAV	CIRCUIT	FUNCTION
1	T6 22OR/WT	TRANSMISSION OVERDRIVE SWITCH SENSE
2	Z2 22BK/LG	GROUND



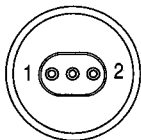
**OVERHEAD CONSOLE**

CAV	CIRCUIT	FUNCTION
1	E2 22OR	FUSED PANEL LAMPS DIMMER SWITCH SIGNAL
2	L7 20BK/YL	PARK LAMP SWITCH OUTPUT
2	L7 18BK/YL*	PARK LAMP SWITCH OUTPUT
3	-	-
4	G32 22BK/LB	SENSOR GROUND
5	G31 22VT/LG	AMBIENT TEMPERATURE SENSOR SIGNAL
6	M2 22YL	COURTESY LAMPS DRIVER
7	F12 20DB/WT	FUSED IGN. (ST-RUN)
8	-	-
9	Z2 20BK/LG	GROUND
10	-	-
11	Z4 18BK	GROUND
12	-	-
13	M1 18PK	VISOR/VANITY LAMPS SWITCH



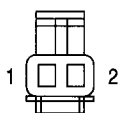
**OVERHEAD  
MAP/COURTESY LAMP**

CAV	CIRCUIT	FUNCTION
1	Z4 18BK	GROUND
2	M2 22YL	COURTESY LAMPS DRIVER
3	M1 20PK	FUSED B(+)



**PARK/NEUTRAL  
POSITION SWITCH  
(ATX)**

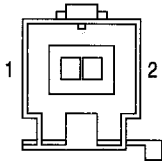
CAV	CIRCUIT	FUNCTION
1	L10 18BR/LG	FUSED IGN. SWITCH OUTPUT
2	T41 18BK/WT	PARK/NEUTRAL POSITION SWITCH SENSOR
3	L1 18VT/BK	BACK-UP LAMP SWITCH OUTPUT



**PASSENGER  
AIRBAG**

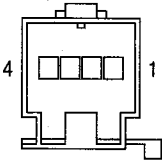
CAV	CIRCUIT	FUNCTION
1	R42 18BK/YL	PASSENGER AIRBAG LINE 1
2	R44 18DG/YL	PASSENGER AIRBAG LINE 2

\* CLEARANCE AND I.D. LAMPS



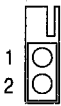
**PASSENGER AIRBAG  
DISARM SWITCH - C1**

CAV	CIRCUIT	FUNCTION
1	F14 18LG/YL	FUSED IGN. (ST-RUN)
2	Z2 18BK/TN	GROUND



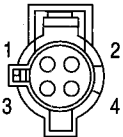
**PASSENGER AIRBAG  
DISARM SWITCH - C2**

CAV	CIRCUIT	FUNCTION
1	R142 18BK/YL	PASSENGER SQUIB LINE 2
2	R144 18DG/YL	PASSENGER SQUIB LINE 1
3	R42 18BK/YL	PASSENGER SQUIB LINE 2
4	R44 18DG/YL	PASSENGER SQUIB LINE 1



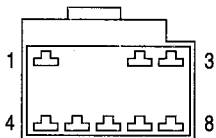
**PASSENGER SEAT  
SOLENOID**

CAV	CIRCUIT	FUNCTION
1	Z2 18BK/LG	GROUND
2	R8 18OR/RD	SIGNAL FROM SCTM



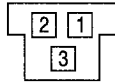
**POST CATALYST  
HEATED OXYGEN  
SENSOR (8.0L/CAL.)**

CAV	CIRCUIT	FUNCTION
1	A141 18DG/WT	AUTO SHUT DOWN RELAY OUTPUT
2	Z11 18BK/WT	GROUND
3	K4 18BK/LB	SENSOR GROUND
4	K341 18OR/BK	POST CATALYST HEATED OXYGEN SENSOR SIGNAL



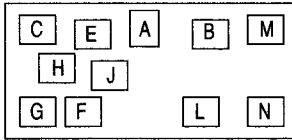
**POWER  
MIRROR SWITCH**

CAV	CIRCUIT	FUNCTION
1	P71 22YL	POWER MIRROR LEFT CONTROL
2	P75 22DB/WT	POWER MIRROR UP CONTROL
3	P73 22YL/PK	POWER MIRROR RIGHT/DOWN CONTROL
4	P72 22YL/BK	POWER MIRROR UP CONTROL
5	P74 22DB	POWER MIRROR LEFT CONTROL
6	P70 22WT	POWER MIRROR RIGHT/DOWN CONTROL
7	M1 22PK	FUSED B(+)
8	Z2 20BK/LG	GROUND



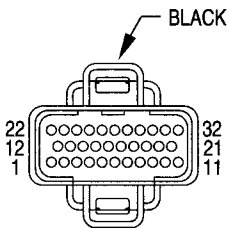
**POWER  
OUTLET**

CAV	CIRCUIT	FUNCTION
1	A12 16RD/TN	POWER OUTLET FEED
2	-	-
3	Z3 16BK/OR	GROUND



**POWER SEAT  
SWITCH**

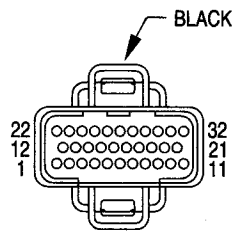
CAV	CIRCUIT	FUNCTION
A	F37 14RD/LB	FUSED B(+)
B	Z3 14BK/OR	GROUND
C	-	-
D	-	-
E	P11 14YL/WT	POWER SEAT REAR UP
F	-	-
G	-	-
H	-	-
I	-	-
J	P13 14RD/WT	POWER SEAT REAR DOWN
K	P17 14DB/RD	POWER SEAT HORIZONTAL BACKWARD
L	P15 14YL/LB	POWER SEAT HORIZONTAL FORWARD
M	P19 14YL/LG	POWER SEAT FRONT UP
N	P21 14RD/LG	POWER SEAT FRONT DOWN



**POWERTRAIN CONTROL  
MODULE - C1  
(3.9L/5.2L/5.9L)**

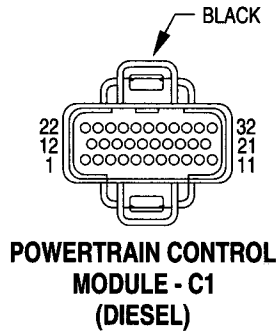
CAV	CIRCUIT	FUNCTION
1	-	-
2	F18 18LG/BK	FUSED IGN. (ST-RUN)
3	-	-
4	K4 18BK/LB	SENSOR GROUND
5	-	-
6	T41 18BK/WT	PARK/NEUTRAL POSITION SWITCH SENSE
7	K19 16BK/GY	IGN. COIL NO. 1 DRIVER
7	K19 16BK/GY	IGN. COIL NO. 1 DRIVER
8	K24 18GY/BK	CRANK POSITION SENSOR SIGNAL
9	-	-
10	K60 18YL/BK	IDLE AIR CONTROL NO. 2 DRIVER
11	K40 18BR/WT	IDLE AIR CONTROL NO. 3 DRIVER
12	-	-
13	G113 18OR	PTO SWITCH SENSE
14	-	-
15	K21 18BK/RD	INTAKE AIR TEMPERATURE SIGNAL
16	K2 18TN/BK	ENGINE COOLANT TEMPERATURE SENSOR SIGNAL
17	K6 18VT/WT	5 VOLT SUPPLY
18	K44 18TN/YL	CAMSHAFT POSITION SENSOR SIGNAL
19	K39 18GY/RD	IDLE AIR CONTROL NO. 1 DRIVER
20	K59 18VT/BK	IDLE AIR CONTROL NO. 4 DRIVER
21	-	-
22	A14 16RD/WT	FUSED B(+)
23	K22 18OR/DB	THROTTLE POSITION SENSOR SIGNAL
24	K141 18TN/WT	UPSTREAM HEATED OXYGEN SENSOR SIGNAL
24	K41 18OR/BK*	DOWNSTREAM HEATED OXYGEN SENSOR SIGNAL
25	K341 18OR/BK	DOWNSTREAM HEATED OXYGEN SENSOR SIGNAL
26	K241 18LG/RD	UPSTREAM HEATED OXYGEN SENSOR SIGNAL
27	K1 18DG/RD	MAP SENSOR SIGNAL
28	-	-
29	-	-
30	-	-
31	Z12 14BK/TN	GROUND
32	Z12 14BK/TN	GROUND

\* HEAVY DUTY



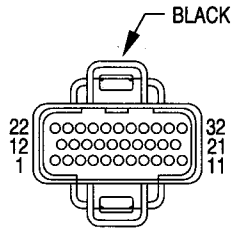
**POWERTRAIN CONTROL  
MODULE - C1  
(8.0L)**

CAV	CIRCUIT	FUNCTION
1	K32 18YL/GY	IGN. COIL NO. 4 DRIVER
2	F18 18LG/BK	FUSED IGN. (ST-RUN)
3	K18 18RD/BK	IGN. COIL NO. 3 DRIVER
4	K4 18BK/LB	SENSOR GROUND
5	K43 18DG/GY	IGN. COIL NO. 5 DRIVER
6	T41 18BK/WT	PARK/NEUTRAL POSITION SWITCH SENSE
7	K19 16BK/GY	IGN. COIL NO. 1 DRIVER
8	K24 18GY/BK	CRANK POSITION SENSOR SIGNAL
9	K17 18DB/WT	IGN. COIL NO. 2 DRIVER
10	K60 18YL/BK	IDLE AIR CONTROL NO. 2 DRIVER
11	K40 18BR/WT	IDLE AIR CONTROL NO. 3 DRIVER
12	-	-
13	G113 18OR	PTO SWITCH SENSE
14	-	-
15	K21 18BK/RD	INTAKE AIR TEMPERATURE SIGNAL
16	K2 18TN/BK	ENGINE COOLANT TEMPERATURE SENSOR SIGNAL
17	K6 18VT/WT	5 VOLT SUPPLY
18	K44 18TN/YL	CAMSHAFT POSITION SENSOR SIGNAL
19	K39 18GY/RD	IDLE AIR CONTROL NO. 1 DRIVER
20	K59 18VT/BK	IDLE AIR CONTROL NO. 4 DRIVER
21	-	-
22	A14 16RD/WT	FUSED B(+)
23	K22 18OR/DB	THROTTLE POSITION SENSOR SIGNAL
24	K41 18BK/DG	DOWNSTREAM HEATED OXYGEN SENSOR SIGNAL
25	K341 18OR/BK	DOWNSTREAM HEATED OXYGEN SENSOR SIGNAL
26	K241 18LG/RD	UPSTREAM HEATED OXYGEN SENSOR SIGNAL
27	K1 18DG/RD	MAP SENSOR SIGNAL
28	-	-
29	K141 18TN/WT	UPSTREAM HEATED OXYGEN SENSOR SIGNAL
30	-	-
31	Z12 14BK/TN	GROUND
32	Z12 14BK/TN	GROUND



CAV	CIRCUIT	FUNCTION
1	-	-
2	F18 18LG/BK	FUSED IGN. (ST-RUN)
3	-	-
4	K4 18BK/LB	SENSOR GROUND
5	-	-
6	T41 18BK/WT	PARK/NEUTRAL POSITION SENSOR SIGNAL
7	S21 18YL/BK	AIR INTAKE HEATER RELAY NO. 1 CONTROL
8	K24 18GY/BK	ENGINE SPEED SENSOR SIGNAL
9	S22 18OR/BK	AIR INTAKE HEATER RELAY NO. 1 CONTROL
10	-	-
11	-	-
12	-	-
13	-	-
14	-	-
15	K21 16BK/RD	INTAKE AIR TEMPERATURE SENSOR SIGNAL
16	K2 18TN/BK	ENGINE COOLANT TEMPERATURE SENSOR SIGNAL
17	K6 18VT/WT	5 VOLT SUPPLY
18	-	-
19	-	-
20	-	-
21	-	-
22	A14 14RD/WT	FUSED B(+)
23	K22 18OR/DB	THROTTLE POSITION SENSOR SIGNAL
24	-	-
25	-	-
26	-	-
27	K1 18DG/RD	WATER IN-FUEL SENSOR SIGNAL
28	-	-
29	-	-
30	-	-
31	Z12 14BK/TN	GROUND
32	Z12 14BK/TN	GROUND



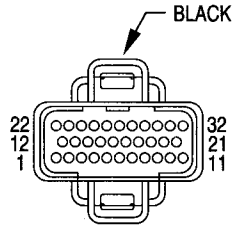


**POWERTRAIN CONTROL  
MODULE - C2  
(3.9L/5.2L/5.9L)**

CAV	CIRCUIT	FUNCTION
1	T54 18VT	TRANSMISSION TEMPERATURE SENSOR SIGNAL
2	K26 18VT/TN	INJECTOR NO. 7 DRIVER
3	-	-
4	K11 18WT/DB	INJECTOR NO. 1 DRIVER
5	K13 18YL/WT	INJECTOR NO. 3 DRIVER
6	K38 18GY*	INJECTOR NO. 5 DRIVER
6	K38 18GY**	INJECTOR NO. 7 DRIVER
7	-	-
8	K88 18VT/WT	VARIABLE FORCE SOLENOID
9	-	-
10	K20 18DG	GENERATOR FEILD DRIVER
11	K54 18OR/BK	TORQUE CONVERTOR CLUTCH SOLENOID/RELAY CONTROL
12	K58 18BR/DB	INJECTOR NO. 6 DRIVER
13	K28 18GY/LB	INJECTOR NO. 8 DRIVER
14	-	-
15	K12 18TN	INJECTOR NO. 2 DRIVER
16	K14 18LB/BR	INJECTOR NO. 4 DRIVER
17	-	-
18	-	-
19	-	-
20	-	-
21	T60 18BR	OVERDRIVE SOLENOID CONTROL
22	-	-
23	G60 18GY/OR	ENGINE OIL PRESSURE SENSOR SIGNAL
24	-	-
25	T13 18DB/BK	SPEED SENSOR GROUND
26	-	-
27	G7 18WT/OR	VEHICLE SPEED SENSOR SIGNAL
28	T14 18LG/BK	OUTPUT SPEED SENSOR SIGNAL
29	T25 18LG/WT	GOVERNOR PRESSURE SIGNAL
30	K30 18PK	TRANSMISSION RELAY CONTROL
31	K7 18OR	5 VOLT SUPPLY
32	-	-

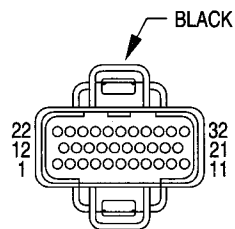
\* 3.9L

\*\* 5.2L/5.9L/5.9L H/D



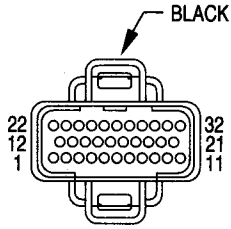
**POWERTRAIN CONTROL  
MODULE - C2  
(8.0L)**

CAV	CIRCUIT	FUNCTION
1	T54 18VT	TRANSMISSION TEMPERATURE SENSOR SIGNAL
2	K26 18VT/TN	INJECTOR NO. 7 DRIVER
3	K115 18TN/BK	INJECTOR NO. 2 DRIVER
4	K11 18WT/DB	INJECTOR NO. 1 DRIVER
5	K13 18YL/WT	INJECTOR NO. 3 DRIVER
6	K38 18GY	INJECTOR NO. 5 DRIVER
7	-	-
8	K88 18VT/WT	VARIABLE FORCE SOLENOID
9	-	-
10	K20 18DG	GENERATOR FIELD DRIVER
11	K54 18OR/BK	TORQUE CONVERTOR CLUTCH SOLENOID/RELAY CONTROL
12	K58 18BR/DB	INJECTOR NO. 6 DRIVER
13	K28 18GY/LB	INJECTOR NO. 8 DRIVER
14	K116 18WT	INJECTOR NO. 10 DRIVER
15	K12 18TN	INJECTOR NO. 2 DRIVER
16	K14 18LB/BR	INJECTOR NO. 4 DRIVER
17	-	-
18	-	-
19	-	-
20	-	-
21	T60 18BR	SOLENOID NO. 2 CONTROL
22	-	-
23	G60 18GY/OR	ENGINE OIL PRESSURE SENSOR SIGNAL
24	-	-
25	T13 18DB/BK	SHAFT SPEED SIGNAL (-)
26	-	-
27	G7 18WT/OR	VEHICLE SPEED SENSOR SIGNAL
28	T14 18LG/BK	OUTPUT SPEED SENSOR SIGNAL
29	T25 18LG/WT	GOVERNOR PRESSURE SIGNAL
30	K30 18PK	TRANSMISSION RELAY CONTROL
31	K7 18OR	5 VOLT SUPPLY
32	-	-



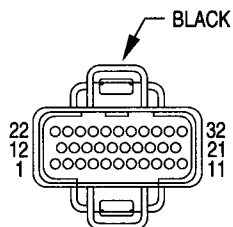
**POWERTRAIN CONTROL  
MODULE - C2  
(DIESEL)**

CAV	CIRCUIT	FUNCTION
1	T54 18VT	TRANSMISSION TEMPERATURE SENSOR SIGNAL
2	-	-
3	-	-
4	-	-
5	-	-
6	-	-
7	-	-
8	K88 18VT/WT	TRANSMISSION VARIABLE FORCE SOLENOID
9	-	-
10	K20 18DG	GENERATOR FIELD DRIVER
11	K54 18OR/BK	TORQUE CONVERTOR CLUTCH SOLENOID/RELAY CONTROL
12	-	-
13	-	-
14	-	-
15	-	-
16	-	-
17	-	-
18	-	-
19	-	-
20	G85 18OR/BK	WAIT-TO-START WARNING LAMP DRIVER
21	T60 18BR	SOLENOID NO. 2 CONTROL
22	-	-
23	G60 18GY/OR	ENGINE OIL PRESSURE SENSOR SIGNAL
24	-	-
25	T13 18DB/BK	SHAFT SPEED SIGNAL(-)
26	-	-
27	C7 18WT/OR	VEHICLE SPEED SENSOR SIGNAL
28	T14 18LG/BK	OUTPUT SPEED SENSOR SIGNAL
29	T25 18LG/WT	GOVERNOR PRESSURE SIGNAL
30	K30 18PK	TRANSMISSION RELAY CONTROL
31	K7 18OR	5 VOLT SUPPLY
32	K35 18GY/YL	EGR SOLENOID CONTROL



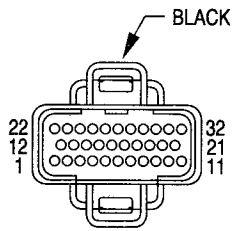
**POWERTRAIN CONTROL  
MODULE - C3  
(3.9L/5.2L/5.9L)**

CAV	CIRCUIT	FUNCTION
1	C13 18DB/OR	A/C COMPRESSOR CLUTCH RELAY CONTROL
2	-	-
3	K51 18DB/YL	AUTO SHUT DOWN RELAY CONTROL
4	V36 18TN/RD	SPEED CONTROL VACUUM SOLENOID CONTROL
5	V35 18LG/RD	SPEED CONTROL VENT SOLENOID CONTROL
6	T18 18LG/OR	OVERDRIVE LAMP DRIVER
7	-	-
8	-	-
9	-	-
10	K106 18WT/DG	LEAK DETECTION PUMP SOLENOID CONTROL
11	V32 18YL/RD	SPEED CONTROL ON/OFF SWITCH SENSE
12	A142 14DG/OR	AUTO SHUT DOWN RELAY OUTPUT
13	T6 18OR/WT	TRANSMISSION O/D SWITCH SENSE
14	K107 18OR	LEAK DETECTION PUMP SWITCH SENSE
15	K118 18PK/YL	BATTERY TEMPERATURE SENSOR SIGNAL
16	-	-
17	-	-
18	-	-
19	K31 18BR/WT	FUEL PUMP RELAY CONTROL
20	K52 18PK/WT	EVAPORATIVE EMISSION SOLENOID CONTROL
21	-	-
22	C20 18BR	A/C SWITCH SENSE
23	C90 18LG/WT	A/C SELECT INPUT
24	V40 18WT/PK	BRAKE SWITCH SENSE
25	T125 18DB	GENERATOR SOURCE
26	K226 18DB/WT	FUEL LEVEL SENSOR
27	D21 18PK/DB	SCI TRANSMIT
28	D2 18WT/BK	CCD BUS(-)
29	D20 18DG	SCI RECIEVE
30	D1 18VT/BR	CCD BUS (+)
31	-	-
32	V37 18RD/LG	SPEED CONTROL SWITCH SIGNAL



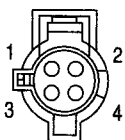
**POWERTRAIN CONTROL  
MODULE - C3  
(8.0L)**

CAV	CIRCUIT	FUNCTION
1	C13 18DB/OR	A/C COMPRESSOR CLUTCH RELAY CONTROL
2	-	-
3	K51 18DB/YL	AUTO SHUTDOWN RELAY CONTROL
4	V36 18TN/RD	SPEED CONTROL VACUUM SOLENOID CONTROL
5	V35 18LG/RD	SPEED CONTROL VENT SOLENOID CONTROL
6	T18 18LG/OR	OVERDRIVE LAMP DRIVER
7	-	-
8	-	-
9	-	-
10	K106 18WT/DG	LEAK DETECTION PUMP SOLENOID CONTROL
11	V32 18YL/RD	SPEED CONTROL ON/OFF SWITCH SENSE
12	A142 14DG/OR	AUTO SHUTDOWN RELAY OUTPUT
13	T6 22OR/WT	TRANSMISSION O/D SWITCH SENSE
14	K107 18OR	LEAK DETECTION PUMP SWITCH SENSE
15	K118 18PK/YL	BATTERY TEMPERATURE SENSOR SIGNAL
16	-	-
17	-	-
18	-	-
19	K31 18BR/WT	FUEL PUMP RELAY CONTROL
20	K52 18PK/WT	EVAPORATIVE EMISSION SOLENOID CONTROL
21	-	-
22	C20 18BR	A/C SWITCH SENSE
23	C90 18LG/WT	A/C SELECT INPUT
24	V40 18WT/PK	BRAKE SWITCH SENSE
25	T125 18DB	GENERATOR SOURCE
26	K226 18DB/WT	FUEL LEVEL SENSOR
27	D21 18PK/DB	SCI TRANSMIT
28	D2 18WT/BK	CCD BUS(-)
29	D20 18DG	SCI RECIEVE
30	D1 18VT/BR	CCD BUS(+)
31	-	-
32	V37 18RD/LG	SPEED CONTROL SWITCH SIGNAL



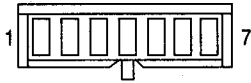
**POWERTRAIN CONTROL  
MODULE - C3  
(DIESEL)**

CAV	CIRCUIT	FUNCTION
1	C13 18DB/OR	A/C COMPRESSOR CLUTCH RELAY CONTROL
2	-	-
3	K51 18DB/YL	AUTO SHUTDOWN RELAY CONTROL
4	V36 18TN/RD	SPEED CONTROL VACUUM SOLENOID CONTROL
5	V35 18LG/RD	SPEED CONTROL VENT SOLENOID CONTROL
6	T18 18LG/OR	OVERDRIVE LAMP DRIVER
7	-	-
8	-	-
9	-	-
10	-	-
11	V32 18YL/RD	SPEED CONTROL ON/OFF SWITCH SENSE
12	F18 18LG/BK	FUSED IGN. (ST-RUN)
13	T6 20OR/WT	TRANSMISSION O/D SWITCH SENSE
14	-	-
15	K118 18PK/YL	BATTERY TEMPERATURE SENSOR SIGNAL
16	-	-
17	-	-
18	-	-
19	-	-
20	-	-
21	-	-
22	C20 18BR	A/C SWITCH SENSE
23	C90 18LG	A/C SELECT INPUT
24	V40 18WT/PK	BRAKE SWITCH SENSE
25	T125 18WT/DB	GENERATOR SOURCE
26	K226 18DB/WT	FUEL LEVEL SENSOR
27	D21 18PK/DB	SCI TRANSMIT
28	D2 18WT/BK	CCD BUS (-)
29	D220 18DG	SCI RECEIVE
30	D1 18VT/BR	CCD BUS(+)
31	-	-
32	V37 18RD/LG	SPEED CONTROL SWITCH SIGNAL



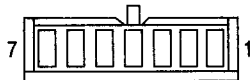
**PRE-CATALYST HEATED  
OXYGEN SENSOR  
(8.0L/CAL.)**

CAV	CIRCUIT	FUNCTION
1	A141 18DG/WT	AUTO SHUT DOWN RELAY OUTPUT
2	Z11 18BK/WT	GROUND
3	K4 18BK/LB	SENSOR GROUND
4	K141 18TN/WT	PRE-CATALYST HEATED OXYGEN SENSOR SIGNAL



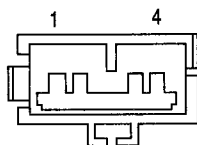
RADIO - C1

CAV	CIRCUIT	FUNCTION
1	-	-
2	X55 18BR/RD	LEFT FRONT DOOR SPEAKER (-)
3	X56 18DB/RD	RIGHT FRONT DOOR SPEAKER (-)
4	L7 18BK/YL	PARK LAMP SWITCH OUTPUT
5	E2 22OR	FUSED PANEL LAMPS DIMMER SWITCH SIGNAL
6	X12 18RD/WT	FUSED IGN. (RUN-ACC)
7	M1 22PK	FUSED B(+)

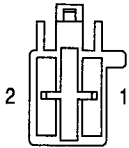


RADIO - C2

CAV	CIRCUIT	FUNCTION
1	X16 22LG	POWER ANTENNA RELAY OUTPUT
2	X51 18BR/YL	LEFT REAR SPEAKER (+)
3	X52 18DB/WT	RIGHT REAR SPEAKER (+)
4	X53 18DG	LEFT FRONT DOOR SPEAKER (+)
5	X54 18VT	RIGHT FRONT DOOR SPEAKER (+)
6	X57 18BR/LB	LEFT REAR SPEAKER (-)
7	X58 18DB/OR	RIGHT REAR SPEAKER (-)

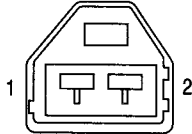
RADIO CHOKE  
RELAY

CAV	CIRCUIT	FUNCTION
1	X60 16DG/RD	RADIO 12 VOLT OUTPUT
2	X13 16BK/RD	PREMIUM SPEAKER AMPLIFIER
3	X16 22LG	POWER ANTENNA RELAY OUTPUT
4	Z9 16BK/VT	GROUND



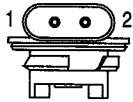
**REAR VERTICAL SEAT MOTOR**

CAV	CIRCUIT	FUNCTION
1	P11 14YL/WT	POWER SEAT REAR UP
2	P13 14RD/WT	POWER SEAT REAR DOWN



**REAR WHEEL SPEED SENSOR (ABS)**

CAV	CIRCUIT	FUNCTION
1	B114 20WT/VT	RIGHT REAR WHEEL SPEED SENSOR (-)
2	B113 20RD/YL	RIGHT REAR WHEEL SPEED SENSOR (+)



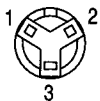
**RIGHT BACK-UP LAMP**

CAV	CIRCUIT	FUNCTION
1	Z13 18BK	GROUND
2	L1 18VT/BK	BACK-UP LAMP SWITCH OUTPUT



**RIGHT DOOR DISARM SWITCH**

CAV	CIRCUIT	FUNCTION
1	Z2 20BK/LG	GROUND
2	G73 20LG/OR	LEFT DOOR KEY CYLINDER SWITCH SENSE

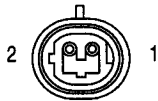


**RIGHT DOOR JAMB SWITCH**

CAV	CIRCUIT	FUNCTION
1	Z2 18BK/LG	GROUND
2	M2 18YL*	COURTESY LAMPS DRIVER
2	G16 18BK/LB	DOOR JAMB SWITCH SENSE
3	G74 18TN/RD	SEATBELT CONTROL MODULE

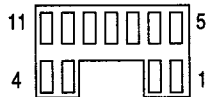
\* BASE





**RIGHT DOOR  
LOCK MOTOR**

CAV	CIRCUIT	FUNCTION
1	P34 20PK/BK	DOOR UNLOCK DRIVER
2	P33 20OR/BK	DOOR LOCK DRIVER



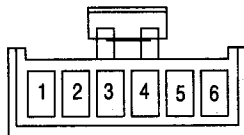
**RIGHT DOOR  
WINDOW/LOCK  
SWITCH**

CAV	CIRCUIT	FUNCTION
1	Q16 14BR/WT	MASTER WINDOW SWITCH RIGHT FRONT UP
2	Q26 14VT/WT	MASTER WINDOW SWITCH RIGHT FRONT DOWN
3	Q22 14VT	RIGHT FRONT WINDOW DRIVER DOWN
4	Q12 14BR	RIGHT FRONT WINDOW DRIVER UP
5	F35 20RD	FUSED B(+)
6	P35 20OR/VT	DOOR LOCK SWITCH OUTPUT (LOCK)
7	P30 20OR/DG	POWER DOOR LOCK MOTOR B(+) LOCK
8	Z2 14/BK/LG	GROUND
9	P31 20PK/DG	POWER DOOR LOCK MOTOR B(+) UNLOCK
10	P36 20PK/VT	POWER LOCK SWITCH OUTPUT (UNLOCK)
11	F21 14TN	FUSED IGN. (RUN)



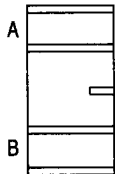
**RIGHT FOG  
LAMP**

CAV	CIRCUIT	FUNCTION
1	Z1 20BK	GROUND
2	L39 20LB	FRONT FOG LAMP SWITCH OUTPUT



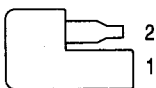
**RIGHT FRONT  
DOOR SPEAKER  
(PREMIUM)**

CAV	CIRCUIT	FUNCTION
1	X54 18VT	RIGHT DOOR SPEAKER (+)
2	Z9 16BK/VT	GROUND
3	X82 20LB/RD	AMPLIFIED RIGHT DOOR SPEAKER (+)
4	X56 18DB/RD	RIGHT DOOR SPEAKER (-)
5	X13 16BK/RD	PREMIUM SPEAKER AMPLIFIER
6	X80 20LB/BK	AMPLIFIED RIGHT DOOR SPEAKER (-)



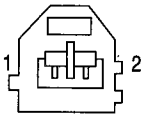
**RIGHT FRONT  
DOOR SPEAKER  
(STANDARD)**

CAV	CIRCUIT	FUNCTION
A	X56 18DB/RD	RIGHT DOOR SPEAKER (-)
B	X54 18VT	RIGHT DOOR SPEAKER (+)



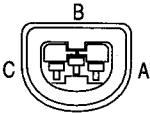
**RIGHT FRONT  
FENDER LAMP  
(DUAL REAR WHEELS)**

CAV	CIRCUIT	FUNCTION
1	Z13 18BK	GROUND
2	L7 18BK/YL	PARK LAMP SWITCH OUTPUT



**RIGHT FRONT WHEEL SPEED SENSOR (ABS)**

CAV	CIRCUIT	FUNCTION
1	B6 20WT/DB	RIGHT FRONT WHEEL SPEED SENSOR (-)
2	B7 20WT	RIGHT FRONT WHEEL SPEED SENSOR (+)



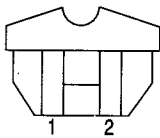
**RIGHT HEADLAMP**

CAV	CIRCUIT	FUNCTION
A	Z1 20BK	GROUND
B	L4 16VT/WT	DIMMER SWITCH LOW BEAM OUTPUT
C	L3 16RD/OR	DIMMER SWITCH HIGH BEAM OUTPUT



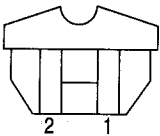
**RIGHT LICENSE LAMP**

CAV	CIRCUIT	FUNCTION
1	Z13 18BK	GROUND
2	L7 18BK/YL	PARK LAMP SWITCH OUTPUT



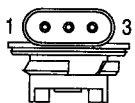
**RIGHT OUTBOARD CLEARANCE LAMP**

CAV	CIRCUIT	FUNCTION
1	L7 18BK/YL	PARK LAMP SWITCH OUTPUT
2	Z4 18BK	GROUND



**RIGHT OUTBOARD IDENTIFICATION LAMP**

CAV	CIRCUIT	FUNCTION
1	L7 18BK/YL	PARK LAMP SWITCH OUTPUT
2	Z4 18BK	GROUND



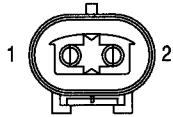
**RIGHT PARK/TURN SIGNAL LAMP**

CAV	CIRCUIT	FUNCTION
1	Z1 18BK	GROUND
2	L7 18BK/YL	PARK LAMP SWITCH OUTPUT
3	L60 LG/TN	RIGHT TURN SIGNAL



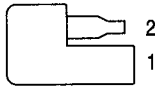
**RIGHT POWER  
MIRROR MOTORS**

CAV	CIRCUIT	FUNCTION
1	P74 20DB	POWER MIRROR LEFT CONTROL
2	P70 20WT	POWER MIRROR RIGHT/DOWN CONTROL
3	P72 20YL/BK	POWER MIRROR UP CONTROL
4	C16 20LB/YL	REAR DEFOGGER LAMP DRIVER
5	Z2 20BK/LG	GROUND
6	-	-



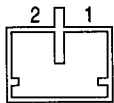
**RIGHT POWER  
WINDOW MOTOR**

CAV	CIRCUIT	FUNCTION
1	Q12 14BR	POWER WINDOW UP CONTROL
2	Q22 14VT	POWER WINDOW DOWN CONTROL



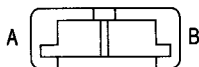
**RIGHT REAR  
FENDER LAMP  
(DUAL REAR WHEELS)**

CAV	CIRCUIT	FUNCTION
1	Z13 18BK	GROUND
2	L7 18BK/YL	PARK LAMP SWITCH OUTPUT



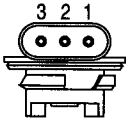
**RIGHT REAR  
SPEAKER  
(PREMIUM)**

CAV	CIRCUIT	FUNCTION
1	X58 18DB/OR	RIGHT REAR SPEAKER (-)
2	X52 18DB/WT	RIGHT REAR SPEAKER (+)



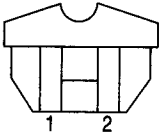
**RIGHT REAR  
SPEAKER  
(STANDARD)**

CAV	CIRCUIT	FUNCTION
A	X58 18DB/OR	RIGHT REAR SPEAKER (-)
B	X52 18DB/WT	RIGHT REAR SPEAKER (+)



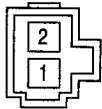
**RIGHT TAIL/  
STOP/TURN  
SIGNAL LAMP**

CAV	CIRCUIT	FUNCTION
1	Z13 18BK	GROUND
2	L7 18BK/YL	PARK LAMP SWITCH OUTPUT
3	L62 16BR/RD	RIGHT REAR TURN SIGNAL



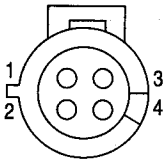
**RIGHT  
TAILGATE LAMP  
(DUAL REAR WHEELS)**

CAV	CIRCUIT	FUNCTION
1	Z13 18BK	GROUND
2	L7 18BK/YL	PARK LAMP SWITCH OUTPUT



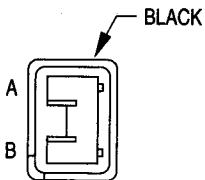
**RIGHT TWEETER  
(PREMIUM)**

CAV	CIRCUIT	FUNCTION
1	X80 20LB/BK	RIGHT DOOR SPEAKER (-)
2	X82 20LB/RD	RIGHT DOOR SPEAKER (+)



**RIGHT UPSTREAM  
HEATED OXYGEN  
SENSOR  
(5.9L (HD)/ 8.0L)**

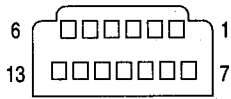
CAV	CIRCUIT	FUNCTION
1	A141 18DG/WT	AUTO SHUT DOWN RELAY OUTPUT
2	Z11 18BK/WT	GROUND
3	K4 18BK/LB	SENSOR GROUND
4	K241 18LG/RD	RIGHT UPSTREAM HEATED OXYGEN SENSOR SIGNAL
4	K141 18TN/WT*	RIGHT UPSTREAM HEATED OXYGEN SENSOR SIGNAL



**RIGHT VISOR/VANITY  
LAMP**

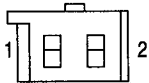
CAV	CIRCUIT	FUNCTION
A	M1 20PK	FUSED B(+)
B	Z4 20BK	GROUND

\* 8.0L



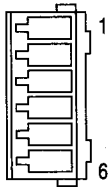
**SEATBELT  
CONTROL MODULE**

CAV	CIRCUIT	FUNCTION
1	-	-
2	G75 18TN	LEFT DOOR AJAR SWITCH SENSE
3	G74 18TN/RD	RIGHT DOOR AJAR SWITCH SENSE
4	F13 18DB	FUSED IGN. (RUN-ACC)
5	M1 18PK	FUSED B(+)
6	-	-
7	R7 18OR/BK	LEFT SEATBELT SOLENOID SIGNAL FROM (SBCM)
8	R8 18OR/RD	RIGHT SEATBELT SOLENOID SIGNAL FROM (SBCM)
9	-	-
10	-	-
11	G111 18LG/BK	SBCM FAULT INDICATOR
12	-	-
13	Z16 18BK/PK	GROUND



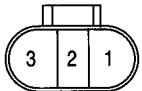
**SEATBELT  
SWITCH**

CAV	CIRCUIT	FUNCTION
1	G10 20LG/RD	SEATBELT SWITCH SENSE
2	F12 18DB/WT	FUSED IGN. (ST-RUN)



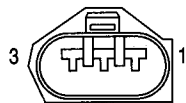
**STOP LAMP  
SWITCH**

CAV	CIRCUIT	FUNCTION
1	V40 22WT/PK	BRAKE SWITCH SENSE
2	Z2 22BK/LG	GROUND
3	V32 22YL/RD	SPEED CONTROL FEED
4	V30 22DB/RD	SPEED CONTROL ON/OFF SWITCH OUTPUT
5	L50 16WT/TN	STOP LAMP SWITCH OUTPUT
6	F32 16PK/DB	FUSED B(+)



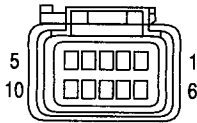
**THROTTLE  
POSITION SENSOR  
(DIESEL)**

CAV	CIRCUIT	FUNCTION
1	K4 20BK/LB	SENSOR GROUND
2	K22 18OR/DB	THROTTLE POSITION SENSOR SIGNAL
3	K6 20VT/WT	5 VOLT SUPPLY



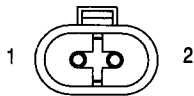
**THROTTLE  
POSITION SENSOR  
(GAS)**

CAV	CIRCUIT	FUNCTION
1	K6 20VT/WT	5 VOLT OUTPUT
2	K22 18OR/DB	THROTTLE POSITION SENSOR SIGNAL
3	K4 18BK/LB	5 VOLT SUPPLY



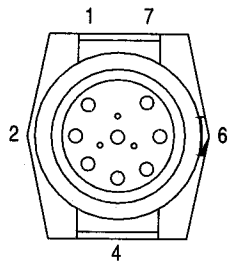
**TRAILER TOW CONNECTOR**

CAV	CIRCUIT	FUNCTION
1	-	-
2	L62 16BR/PK	RIGHT TURN SIGNAL
3	L1 18VT/BK	BACK-UP LAMP FEED
4	A6 14RD/TN	FUSED B(+)
5	L76 14BK/OR	TRAILER TOW RELAY OUTPUT
6	-	-
7	B40 14LB	TRAILER TOW BRAKE B(+)
8	Z13 14BK	GROUND
9	-	-
10	L63 16DG/RD	LEFT TURN SIGNAL



**TRANSMISSION OUTPUT SHAFT SPEED SENSOR**

CAV	CIRCUIT	FUNCTION
1	T14 18LG/BK	OUTPUT SHAFT SPEED SENSOR SIGNAL
2	T13 18DB/BK	OUTPUT SHAFT SPEED SENSOR GROUND



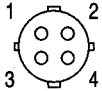
**TRANSMISSION SOLENOID ASSEMBLY**

CAV	CIRCUIT	FUNCTION
1	T16 18RD	TRANS CONTROL RELAY OUTPUT
2	K7 18OR	5V SUPPLY
3	K4 18BK/LB	SENSOR GROUND
4	T25 18LG/WT	GOVENOR PRESSURE SIGNAL
5	K88 18VT/WT	VARIABLE FORCE SOLENOID CONTROL
6	T60 18BR	OVERDRIVE SOLENOID CONTROL
7	K54 18OR/BK	TORQUE CONVERTOR CLUTCH SOLENOID CONTROL
8	T54 18VT	TRANS TEMPERATURE SENSOR SIGNAL



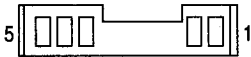
**UNDERHOOD LAMP**

CAV	CIRCUIT	FUNCTION
1	Z1 20BK	GROUND
2	M1 20PK	FUSED B(+)



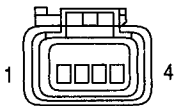
**UPSTREAM HEATED  
OXYGEN SENSOR**

CAV	CIRCUIT	FUNCTION
1	A141 18DG/WT	AUTO SHUT DOWN RELAY OUTPUT
2	Z11 18BK/WT	GROUND
3	K4 18BK/LB	SENSOR GROUND
4	K141 18TN/WT	UPSTREAM HEATED OXYGEN SENSOR SIGNAL



**VEHICLE SPEED  
CONTROL/HORN  
SWITCH**

CAV	CIRCUIT	FUNCTION
1	V37 22RD/LG	SPEED CONTROL SWITCH SIGNAL
2	-	-
3	K4 22BK/LB	SENSOR GROUND
4	-	-
5	X3 22BK/RD	HORN RELAY CONTROL



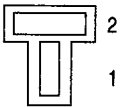
**VEHICLE SPEED  
CONTROL SERVO**

CAV	CIRCUIT	FUNCTION
1	V36 20TN/RD	SPEED CONTROL VACUUM SOLENOID CONTROL
2	V35 20LG/RD	SPEED CONTROL VENT SOLENOID CONTROL
3	V30 20DB/RD	SPEED CONTROL ON/OFF SWITCH OUTPUT
4	Z1 20BK	GROUND



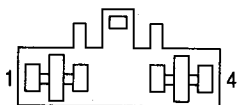
**WATER IN FUEL  
SENSOR  
(DIESEL)**

CAV	CIRCUIT	FUNCTION
1	K1 18DG/RD	WATER IN FUEL SENSOR SIGNAL
2	K4 20BK/LB	SENSOR GROUND



**WINDSHIELD WASHER  
PUMP MOTOR**

CAV	CIRCUIT	FUNCTION
1	V10 16BR	WASHER PUMP CONTROL SWITCH OUTPUT
2	Z1 20BK	GROUND



**WIPER MOTOR**

CAV	CIRCUIT	FUNCTION
1	V4 16RD/YL	WIPER SWITCH HIGH SPEED OUTPUT
2	V5 16DG	WIPER SWITCH MODE SENSE
3	V6 16DB	FUSED IGN. SWITCH OUTPUT
4	V3 16BR/WT	WIPER SWITCH LOW SPEED OUTPUT



## 8W-90 CONNECTOR LOCATIONS

### DESCRIPTION AND OPERATION

#### INTRODUCTION

This section provides illustrations identifying component and connector locations in the vehicle. A connector index is provided. Use the wiring diagrams in

each section for connector number identification. Refer to the index for the proper figure number.

#### CONNECTOR/GROUND LOCATIONS

For items that are not shown in this section, N/S is placed in the Fig. column.

Connector Name/Number	Color	Location	Fig.
A/C Compressor Clutch	BK	Rear of A/C Compressor	4, 5, 6
A/C Heater Control Switch	BK	Rear of HVAC Switch	25
A/C High Pressure Switch	BK	At A/C Compressor	4, 5, 6
A/C Low Pressure Switch	BK	A/C Low Pressure Cut-Out Switch	1, 2
Airbag Control Module		Center of I.P. at Airbag Control Module	23
Ambient Temperature Sensor	BK	Radiator Left Support	15
Ash Receiver Lamp		Behind Ash Receiver	25, 26
Backup Lamp Switch	BK	Top of Transmission	13
Battery Temperature Sensor	BK	Below Battery Tray	16
Blower Motor	BK	Bottom Right of I.P.	23
Blower Motor Resistor Block	BK	Below I.P., Right Side	23, 26
Brake Pressure Switch		At Master Cylinder	14
Bypass Jumper	GN	Top Of Clutch Pedal	
C105		Rear of Front Bumper	
C106	BK	On Front Axle	17
C114			

Connector Name/Number	Color	Location	Fig.
C119		Near Power Distribution Center	14
C125	BK	Left Side of Dash Panel	
C126	GY	Left Side of Dash Panel	
C128	BK	Above Left Front Body Cushion	15
C129	BK	Above Left Front Body Cushion	15
C130		Headlamp and Dash to Engine at Power Distribution Center	N/S
C132		Clutch Switch Jumper	N/S
C134		Left Cowl	23, 25
C183		To Center High Mounted Lamp Jumper	14
C203		Left Cowl	23, 25
C204		Left Cowl	25
C205		To Airbag Squib	23, 24
C237	BK	Bottom Right of I.P.	26
C303		Below Driver's Seat	N/S
C308		Center Rear of Headliner	N/S
C329	BK	Below Right Tail Lamp	21

**DESCRIPTION AND OPERATION (Continued)**

Connector Name/Number	Color	Location	Fig.
C333	BK	Below Left Tail Lamp	21
C342	BK	Left Rear of Frame	21
C343	BK	Left Rear of Frame	21
C345		Right Door	N/S
C346		Right Door	N/S
C347		Left Door	N/S
C348		Left Door	N/S
C352	BK	Left A-Pillar	N/S
C353	BK	Right A-Pillar	N/S
C360		To Body Wiring	N/S
C361		To Body Wiring	N/S
C363		To Passenger Seat Jumper	N/S
C364		Rear Speakers	N/S
Camshaft Position Sensor		Rear of Distributor	6
Cargo Lamp No. 1	BK	Rear of Lamp	N/S
Cargo Lamp No. 2	BK	Rear of Lamp	N/S
Center High Mounted Stop Lamp No. 1	BK	Rear of Lamp	18
Center High Mounted Stop Lamp No. 2	BK	Rear of Lamp	18
Center Identification Lamp		Behind Front of Headliner	N/S
Central Timer Module		Left Side Under Instrument Panel	23, 24
Cigar Lighter Illumination		Behind Cigar Lighter Lamp	23, 25
Clockspring		Steering Column	24
Clutch Pedal Position Switch		Top of Clutch Pedal	N/S
Controller Anti-Lock Brake C1		At Controller, Anti-Lock Brakes	14

Connector Name/Number	Color	Location	Fig.
Controller Anti-Lock Brake C2		At Controller, Anti-Lock Brakes	14
Crankshaft Position Sensor		Rear of Engine Block V6-V8 Right Side of Engine Block V10	3, 6
Cup Holder Lamp		At Cup Holder	25, 26
Data Link Connector	BL	Left Bottom of I.P.	23
Day/Night Mirror		Day/Night Mirror	N/S
Daytime Running Lamp Module	BK	Left Fender Side Shield	14
Distributor		At Distributor	3
Dome Lamp		Behind Dome Lamp	18
Downstream Heated Oxygen Sensor	BK	At Sensor	N/S
Driver Airbag		Driver Airbag	N/S
Driver Seat Solenoid		Drivers Seat	N/S
Duty Cycle EVAP/Purge Solenoid	BK	Rear of Intake Manifold	17
Electric Brake		Trailer Tow	N/S
Engine Coolant Temperature Sensor (Diesel)	BK	Left Rear of Cylinder Head (Diesel)	11
Engine Coolant Temperature Sensor (Gas)	BK	On Thermostat Housing	3, 6
Engine Oil Pressure Sensor	BK	Near Distributor V6-V8 Near Oil Filter V10 Left Side of Engine Diesel	3, 10
Engine Speed Sensor (Diesel)	BK	Front of Engine (Diesel)	12
Exhaust Gas Recirculation Solenoid		On EGR Solenoid	6,12

**DESCRIPTION AND OPERATION (Continued)**

Connector Name/Number	Color	Location	Fig.
Front Vertical Seat Motor		Under Seat	N/S
Fuel Heater (Diesel)		Above Engine Starter Motor	10
Fuel Injector #1	BK	At Fuel Injector	4, 5
Fuel Injector #2	BK	At Fuel Injector	4, 5
Fuel Injector #3	BK	At Fuel Injector	4, 5, 6
Fuel Injector #4	BK	At Fuel Injector	4, 5, 6
Fuel Injector #5	BK	At Fuel Injector	4, 5, 6
Fuel Injector #6	BK	At Fuel Injector	4, 5, 6
Fuel Injector #7	BK	At Fuel Injector	4, 6
Fuel Injector #8	BK	At Fuel Injector	4, 6
Fuel Injector #9	BK	At Fuel Injector	6
Fuel Injector #10	BK	At Fuel Injector	6
Fuel Pump Module	GY	Top of Fuel Tank	N/S
Fuel Shut Down Relay	BK	On Dash Panel, Near Master Cylinder	2
Fuel Shut Down Solenoid	BK	Near Rear of Injection Pump	11, 12
G100		Left Fender Side Shield	16
G101		Left Fender Side Shield	16
G102		Left Fender Side Shield (RWAL Ground)	N/S
G103		Near Wiper Motor (Wiper Motor Ground)	14
G104		Near Generator (Generator Ground)	8
G105		Front of Engine (Engine Ground)	4, 5, 6, 9
G106		Front of Engine (Fuel Shut Down Solenoid Ground)	N/S
G200		Left Cowl	23, 24
G201		I. P. Right Center Support	23

Connector Name/Number	Color	Location	Fig.
G300		Lower Rear Cab	18
G301		Below Left Rear Speaker	18
G302		At Overhead Console	20
Generator	BK	Front of Engine	7, 8
Headlamp Switch C1	BK	Near Headlamp Switch	23, 24, 26
Headlamp Switch C2	GY	Rear of Headlamp Switch	23, 24, 26
Heated Mirror Switch			N/S
High Note Horn		Front Bumper Left Support	17
Horizontal Seat Motor		At Seat	18
Idle Air Control	BK	On Throttle Body	9
Ignition Coil	GY	Right Front of Engine	4, 5, 9
Ignition Coil 4 Pack	BK	Right Side of Engine	9
Ignition Coil 6 Pack	BK	Right Side of Engine	9
Ignition Switch C1		Steering Column	24
Ignition Switch C2		Steering Column	24
Instrument Cluster C1		Rear of Instrument Cluster	N/S
Instrument Cluster C2		At Instrument Cluster	N/S
Intake Air Heater	BK	At Intake Heater	12
Intake Air Heater Relay No. 1			N/S
Intake Air Heater Relay No. 2			N/S
Intake Air Temperature Sensor (Diesel)			11

**DESCRIPTION AND OPERATION (Continued)**

Connector Name/Number	Color	Location	Fig.
Intake Air Temperature Sensor (Gas)	GY	Below Left Side of Intake Manifold V10	4, 5, 6
Integrated Electronic Module			N/S
Intermittent Wiper Control Module	BK	Top Center of I.P.	N/S
Joint Connector No. 1			N/S
Joint Connector No. 2			N/S
Joint Connector No. 3			N/S
Joint Connector No. 4			N/S
Joint Connector No. 5			24
Joint Connector No. 6			24
Joint Connector No. 7			24
Junction Block C1			23
Junction Block C2			23
Junction Block C3			23
Junction Block C4			23
Junction Block C5			23
Junction Block C6			23
Junction Block C7			23
Junction Block C8			23
Junction Block C9			23
Leak Detection Pump			17
Left Airbag Sensor		Left Fender Side Shield	N/S
Left Back-Up Lamp		Rear of Lamp	N/S

Connector Name/Number	Color	Location	Fig.
Left Door Disarm Switch			19
Left Door Jamb Switch	BK	Rear of Left Door Jamb Switch	N/S
Left Fog Lamp	BK	Rear of Fog Lamp	N/S
Left Front Door Speaker (Premium)	BK	Left Door	19
Left Front Door Speaker (Standard)	BK	Left Door	19
Left Front Fender Lamp			N/S
Left Front Wheel Speed Sensor	BK	Left Fender Side Shield	14
Left Headlamp	BK	At Headlamp	N/S
Left License Lamp	BK	Left License Lamp	21
Left Outboard Clearance Lamp	BK	Behind Front of Headliner	N/S
Left Outboard Identification Lamp	BK	Behind Front of Headliner	N/S
Left Park/Turn Signal Lamp	BK	At Lamp	N/S
Left Power Door Lock Motor	BK	Left Door	19
Left Power Door Lock/Window Lift Switch		Left Door	19
Left Power Mirror Motors	BK	Left Door	N/S
Left Power Mirror Switch			19
Left Power Window Motor	BK	Left Door	19
Left Rear Fender Lamp	BK	Rear of Lamp	N/S
Left Rear Speaker			18
Left Tail/Stop and Turn Signal Lamp	BK	Rear of Lamp	21

**DESCRIPTION AND OPERATION (Continued)**

Connector Name/Number	Color	Location	Fig.
Left Tailgate Lamp	BK	Rear of Lamp	N/S
Left Tweeter			N/S
Left Upstream Heated Oxygen Sensor	BK	At Sensor	N/S
Left Visor/Vanity Lamp	BK	Left A-Pillar	N/S
Low Note Horn		Front Bumper Left Support	17
Low Washer Fluid Switch	BK	Side of Washer Fluid Reservoir	16
Manifold Absolute Pressure Sensor	BK	On Throttle Body	4, 5
Multi-Function Switch		On Steering Column	24
Overdrive Switch		Rear of Overdrive Switch	24
Overhead Console	BK	Behind 1kFront of Headliner	20
Overhead Map/Courtesy Lamp		In Overhead Console	20'
Park/Neutral Position Switch	BK	Left Side of Transmission	13
Passenger Airbag			23, 26
Passenger Airbag Disarm Switch			N/S
Post Catalyst Heated Oxygen Sensor	BK	At Sensor	13
Power Outlet	BK	Center of I.P.	23, 25
Power Seat Switch		Left Side of Driver's Seat	N/S
Powertrain Control Module C1		At Powertrain Control Module	1, 2
Powertrain Control Module C2		At Powertrain Control Module	1, 2
Powertrain Control Module C3		At Powertrain Control Module	1, 2

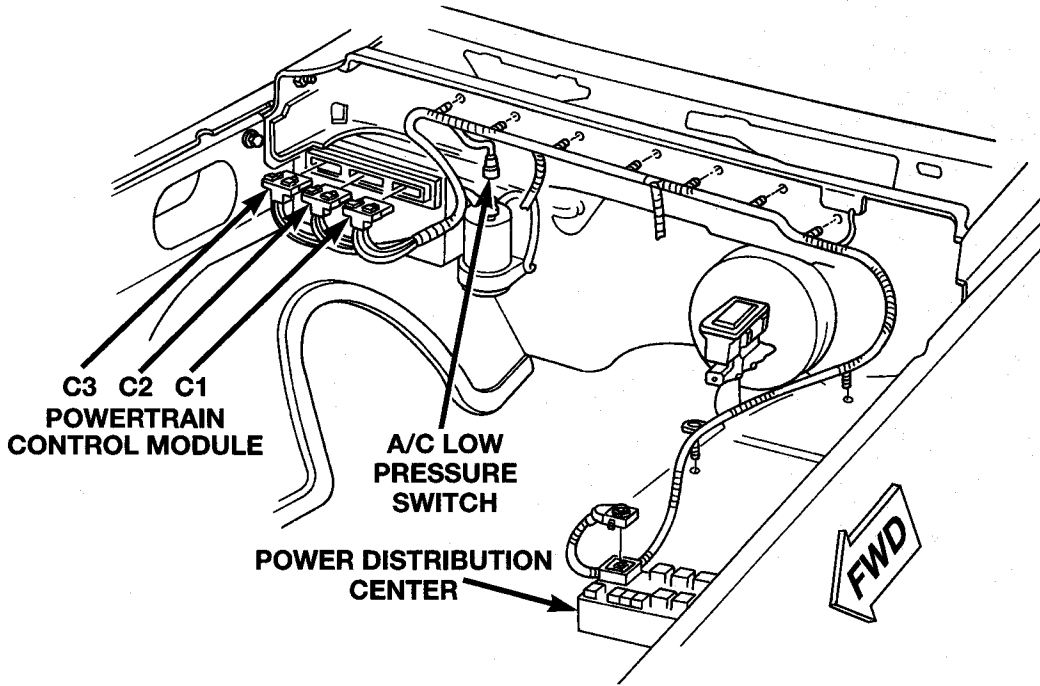
Connector Name/Number	Color	Location	Fig.
Pre-Catalyst Heated Oxygen Sensor	BK	At Sensor	N/S
Radio C1	GY	Rear of Radio	25
Radio C2	BK	Rear of Radio	25
Radio Choke Relay	BK	I.P. Center Support	23
Rear Wheel Speed Sensor	BK	Left Frame Rail, Near Fuel Tank	21, 22
Rear/Vertical Seat Motor		Below Driver's Seat	N/S
Right Tweeter			N/S
Right Back-Up Lamp	BK	Rear of Lamp	N/S
Right Door Disarm Switch			N/S
Right Door Jamb Switch	BK	Rear of Right Door Jamb Switch	N/S
Right Fog Lamp	BK	Rear of Fog Lamp	N/S
Right Forward Fender Lamp	BK	Rear of Lamp	N/S
Right Front Door Speaker(Premium	BK	Right Door	N/S
Right Front Door Speaker(Standard	BK	Right Door	N/S
Right Front Fender Lamp			N/S
Right Front Wheel Speed Sensor	BK	Right Fender Side Shield	17
Right Headlamp	BL	At Headlamp	N/S
Right License Lamp	BK	At Rear Bumper	21
Right Outboard Clearance Lamp	BK	Behind Front of Headliner	20
Right Outboard Identification Lamp	BK	Behind Front of Headliner	N/S
Right Park/Turn Signal Lamp	BK	At Lamp	N/S

**DESCRIPTION AND OPERATION (Continued)**

Connector Name/Number	Color	Location	Fig.
Right Power Door Lock Motor	BK	Right Door	N/S
Right Power Door Lock/Window Lift Switch	BK	Right Door	N/S
Right Power Mirror Motors	BK	Right Door	N/S
Right Power Window Motor	RD	Right Door	N/S
Right Rear Fender Lamp			N/S
Right Rear Speaker			18
Right Tail/Stop and Turn Signal Lamp	BK	Rear of Lamp	21
Right Tailgate Lamp	BK	Rear of Lamp	N/S
Right Upstream Heated Oxygen Sensor	BK	At Sensor	N/S
Right Visor/Vanity Lamp	BK	Right A-Pillar	20
Seatbelt Control Module			N/S
Seatbelt Switch			18
Stop Lamp Switch	GY	Top of Brake Pedal Arm	23
Throttle Position Sensor		Throttle Body	4, 5

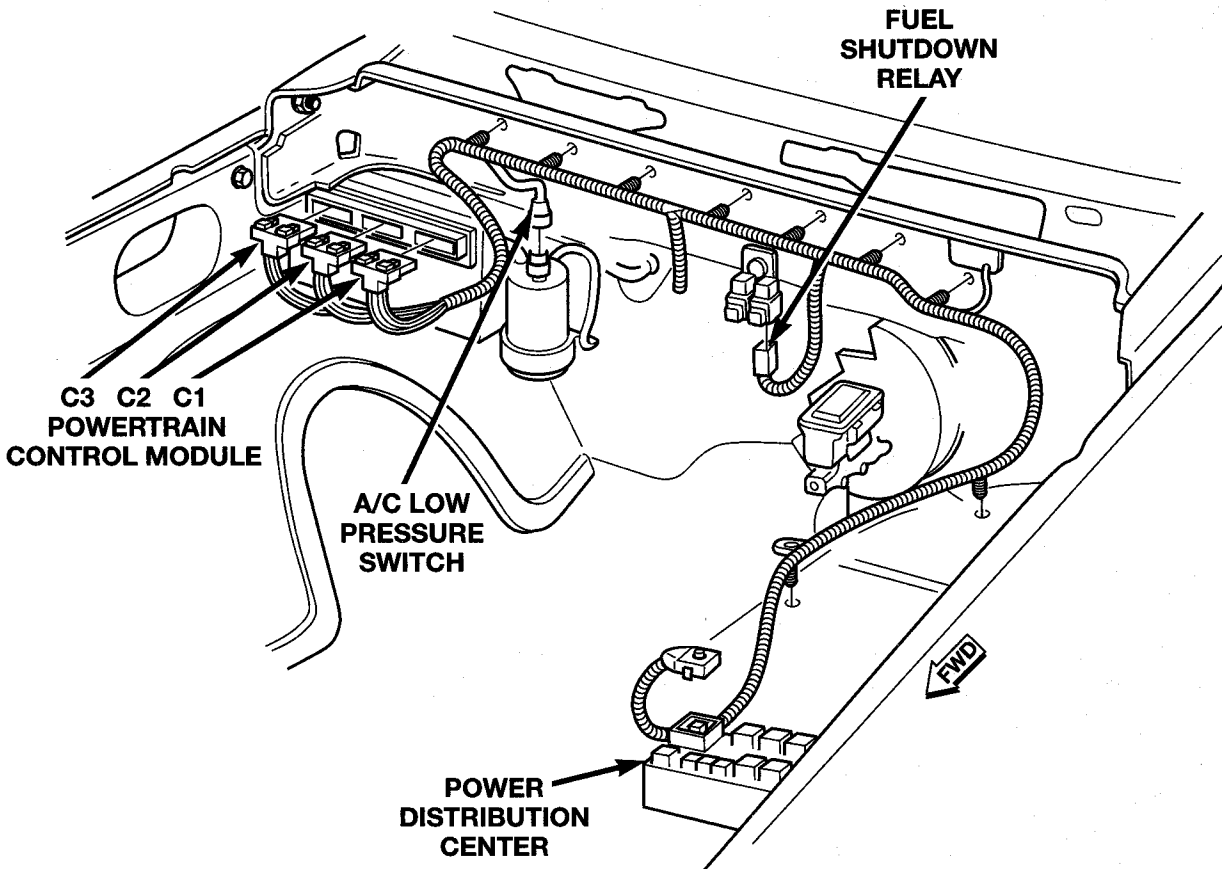
Connector Name/Number	Color	Location	Fig.
Throttle Position Sensor	BK	On Injection Pump (Diesel)	10
Trailer Tow Connector	BK	On Trailer Hitch	21
Transmission Output Shaft Speed Sensor	BK	Left Side of Transmission	13
Transmission Solenoid Assembly	BK	Side of Transmission	13
Under Hood Lamp	BK	Underside of Hood	15
Upstream Heated Oxygen Sensor	BK	Exhaust Pipe	N/S
Vacuum Sensor (Diesel)	BK	Left Fender Side Shield (Diesel)	N/S
Vehicle Speed Control Servo	BK	Below Battery	16
Vehicle Speed Control/Horn Switch		Behind Switch	N/S
Water-In-Fuel Sensor	BK	Bottom of Fuel Filter/Water Separator	11
Windshield Washer Pump Motor	BK	Bottom of Washer Fluid Reservoir	16
Windshield Wiper Motor	BK	At Wiper Motor	14

**DESCRIPTION AND OPERATION (Continued)**



**Fig. 1 Dash Panel Connectors (Gas Engines)**

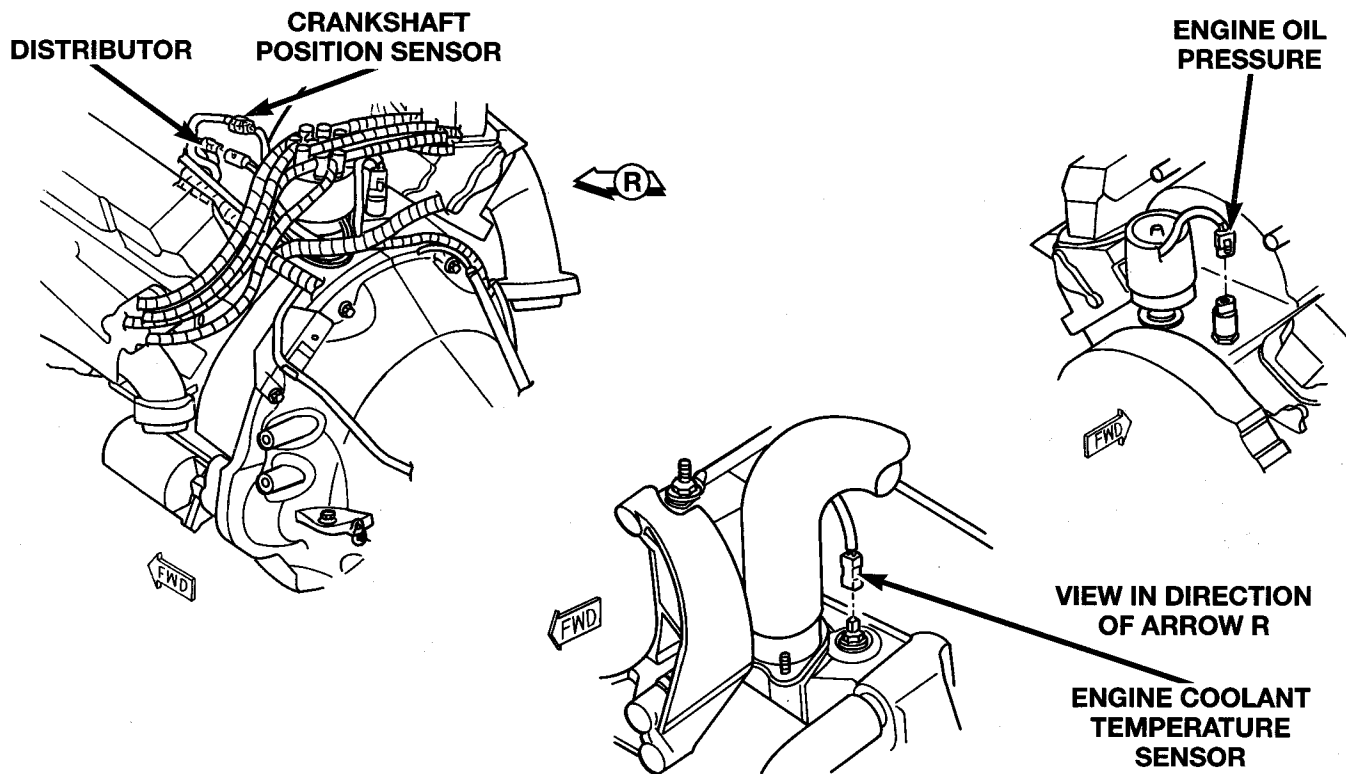
80ae83d1



**Fig. 2 Dash Panel Connectors (Diesel Engine)**

80ae83d2

**DESCRIPTION AND OPERATION (Continued)**



80ae83d3

**Fig. 3 5.2-5.9 Liter Engines**



**DESCRIPTION AND OPERATION (Continued)**

80abfdaa

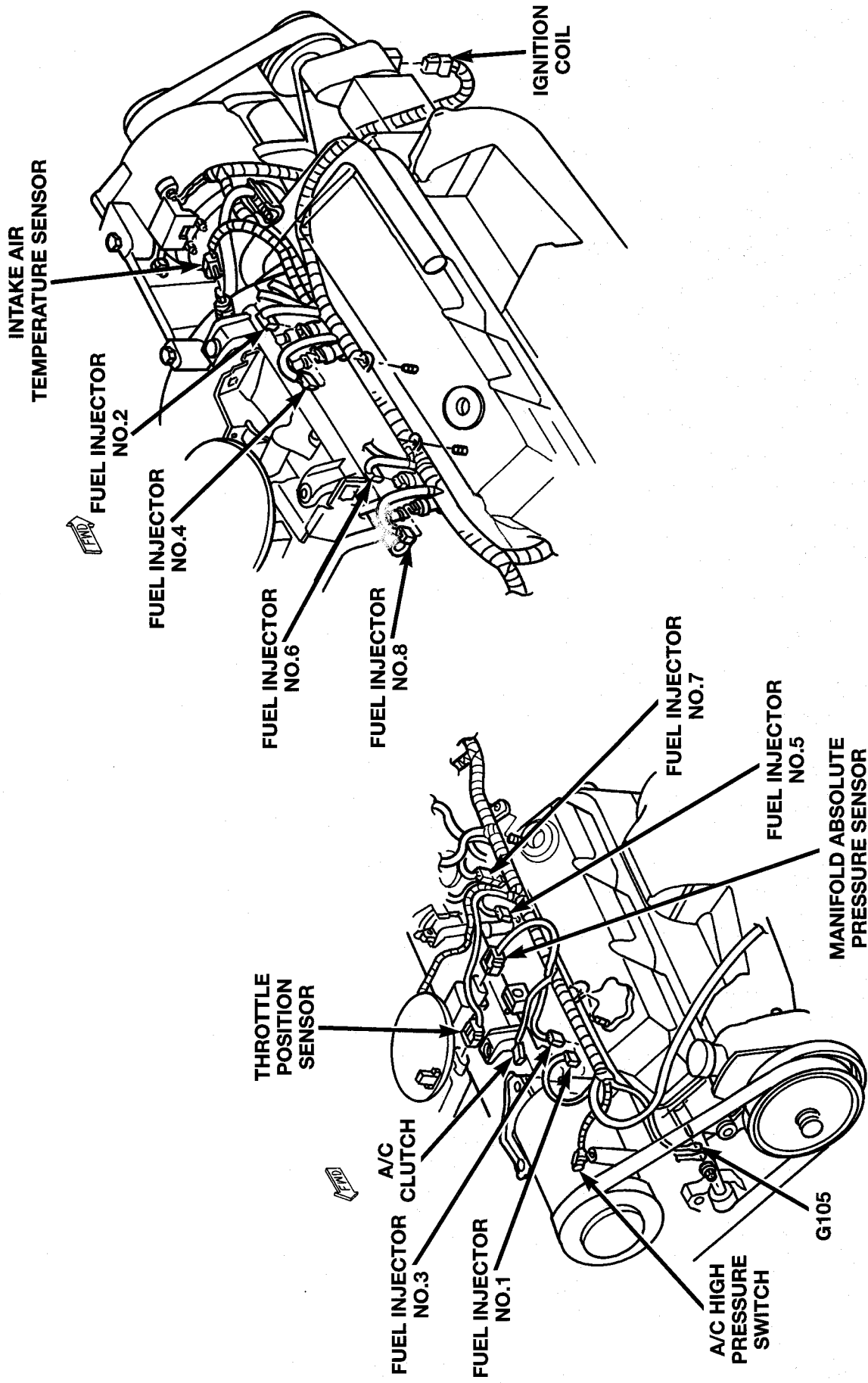
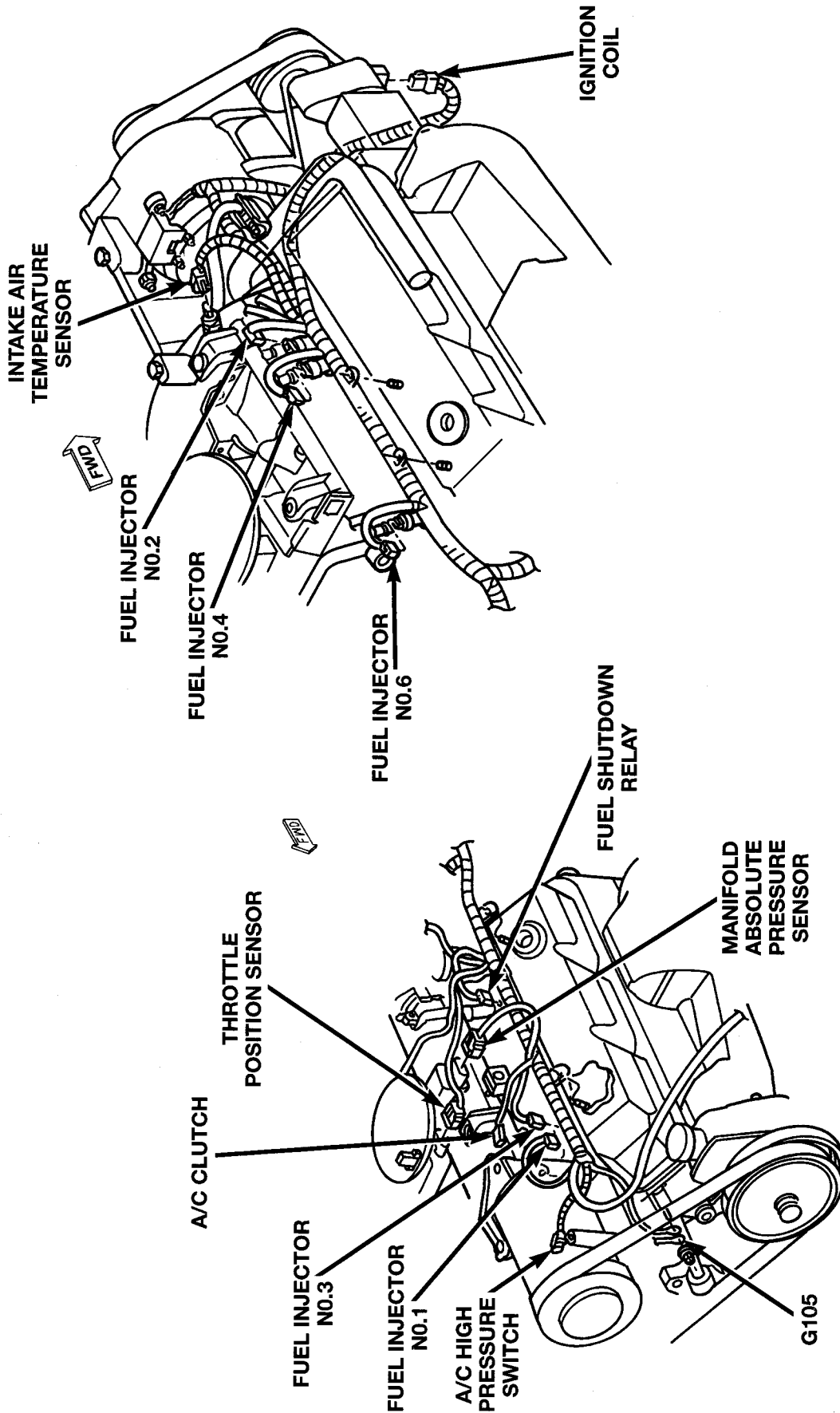


Fig. 4 5.2-5.9 Liter Engines

DESCRIPTION AND OPERATION (Continued)



80abfclab

Fig. 5 3.9 Liter Engine

DESCRIPTION AND OPERATION (Continued)

80abfdac

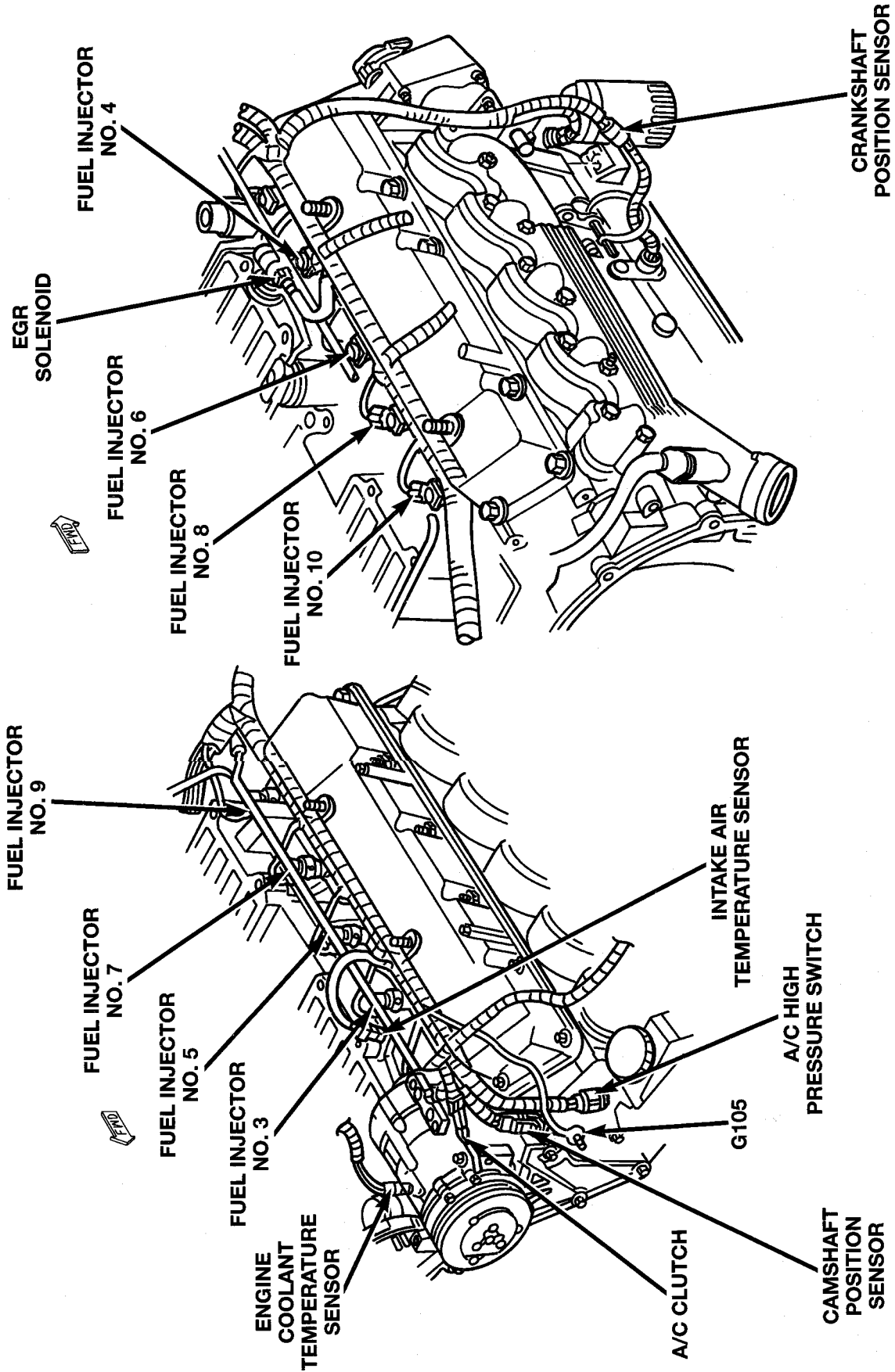
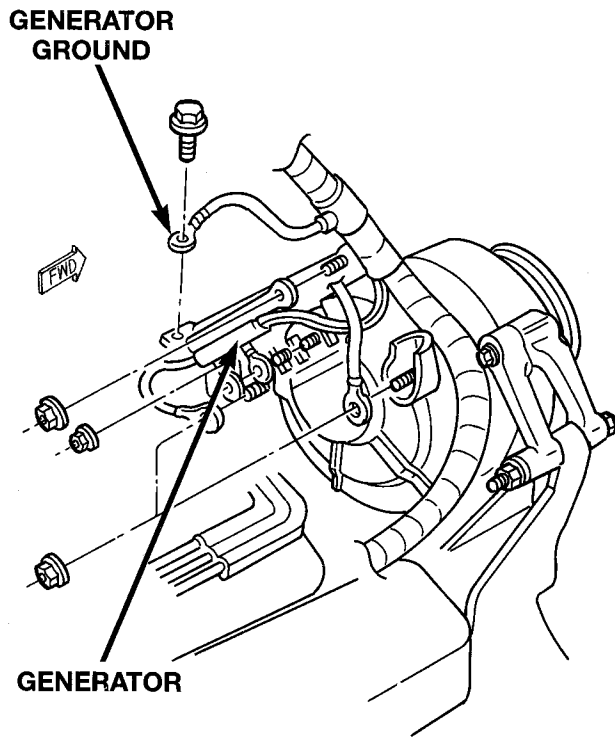
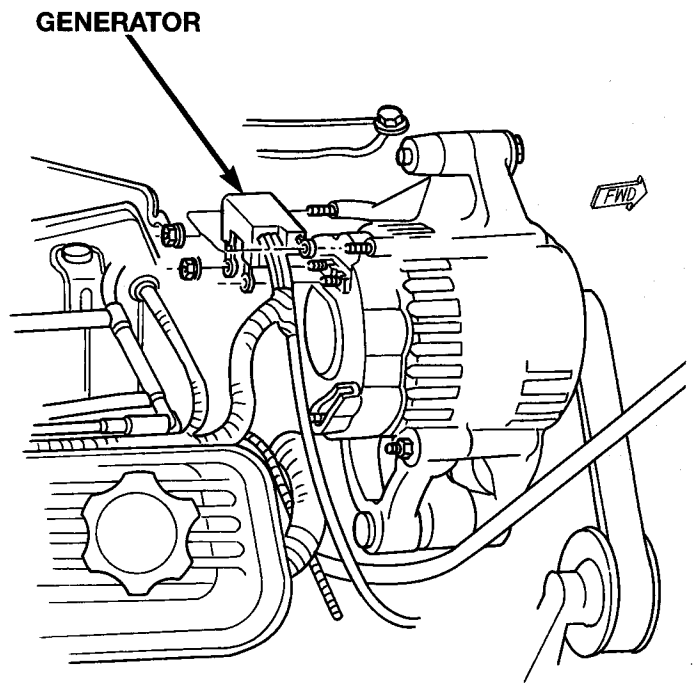


Fig. 6 8.0 Liter Engine

**DESCRIPTION AND OPERATION (Continued)**



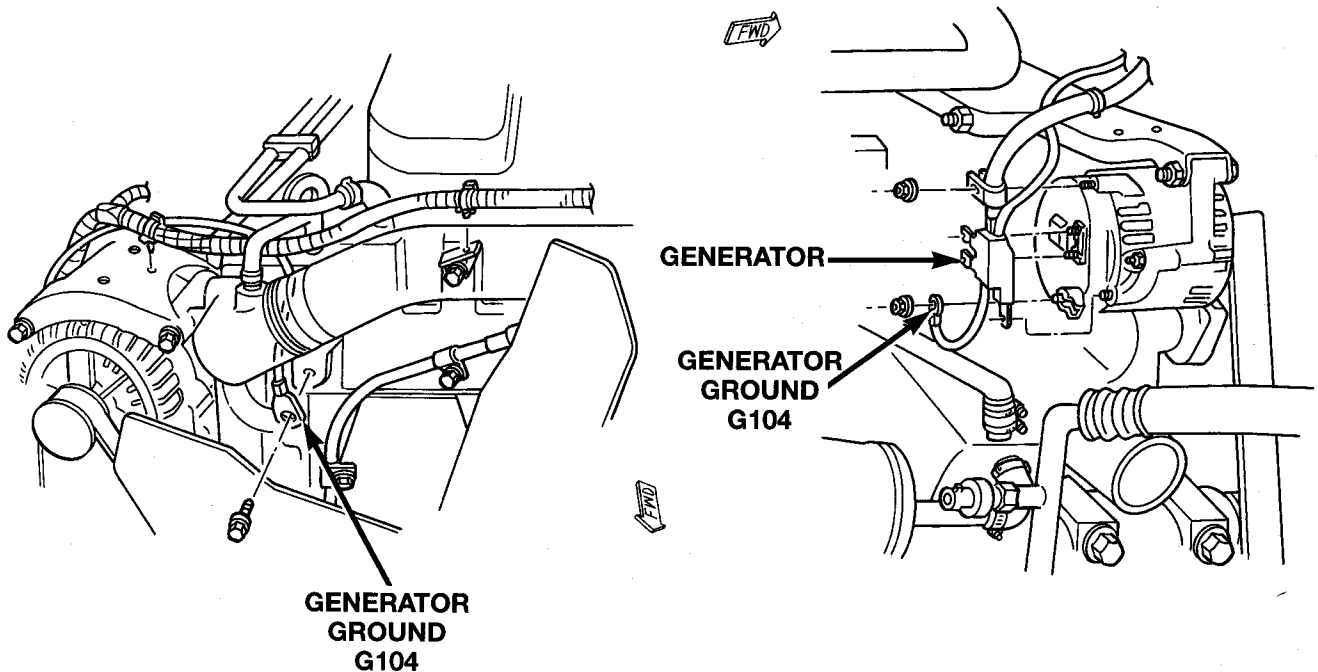
**8.0 LITER ENGINE**



**3.9, 5.2, 5.9 LITER ENGINE**

80ae83d4

**Fig. 7 Generator (Gas Engine)**

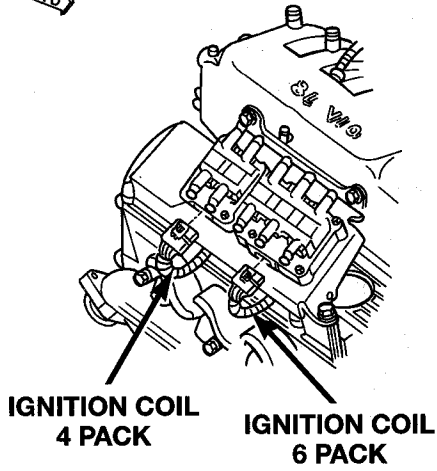


**Fig. 8 Generator (Diesel Engine)**

80ae83d5

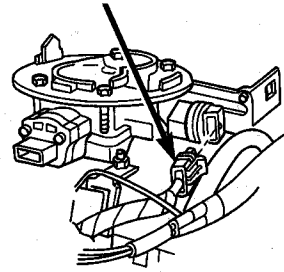
**DESCRIPTION AND OPERATION (Continued)**

FWD

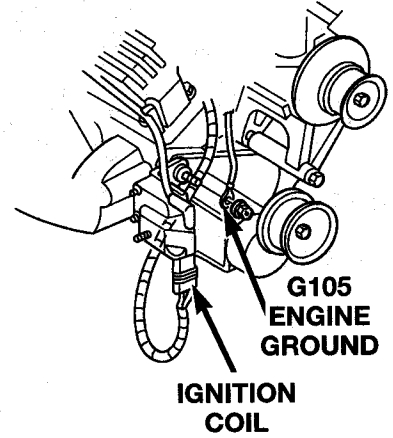


8.0 LITER ENGINE

IDLE AIR CONTROL MOTOR



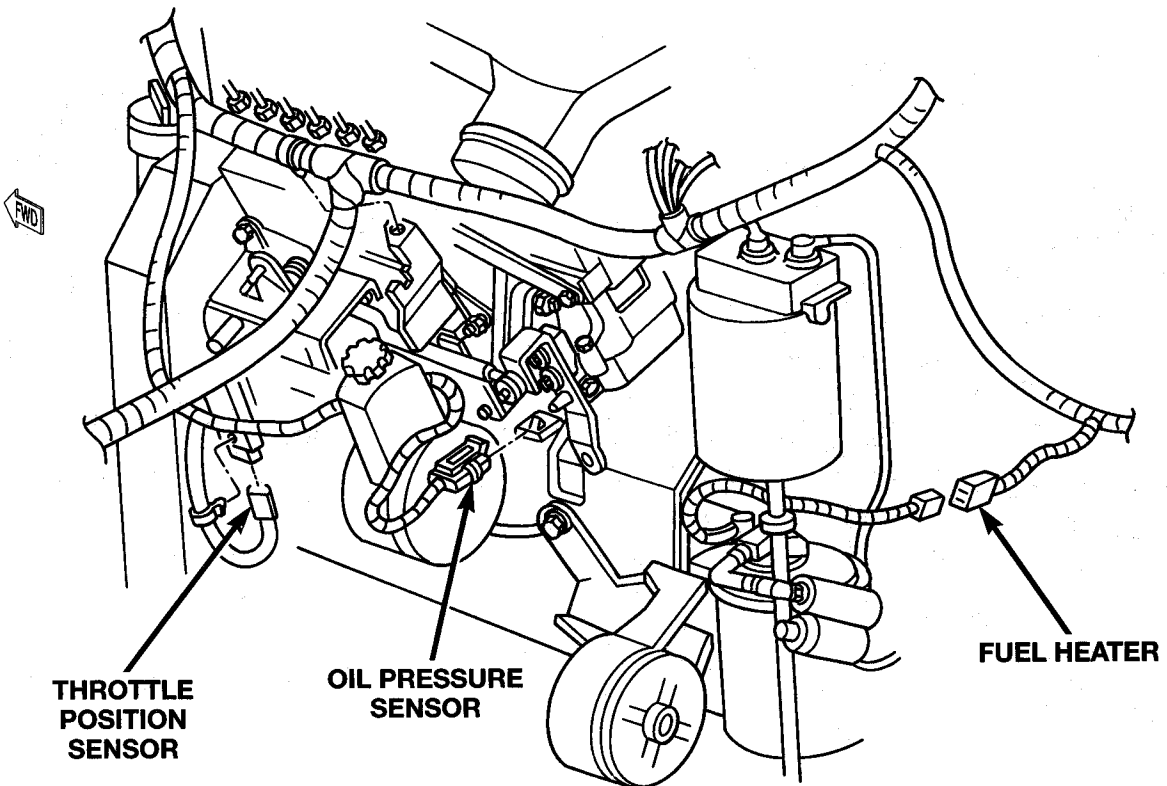
3.9, 5.2, 5.9 LITER ENGINE



3.9, 5.2, 5.9 LITER ENGINE

80ae83d6

**Fig. 9 Ignition Coil (Gas Engine)**



80ae83d7

**Fig. 10 Diesel Components**

DESCRIPTION AND OPERATION (Continued)

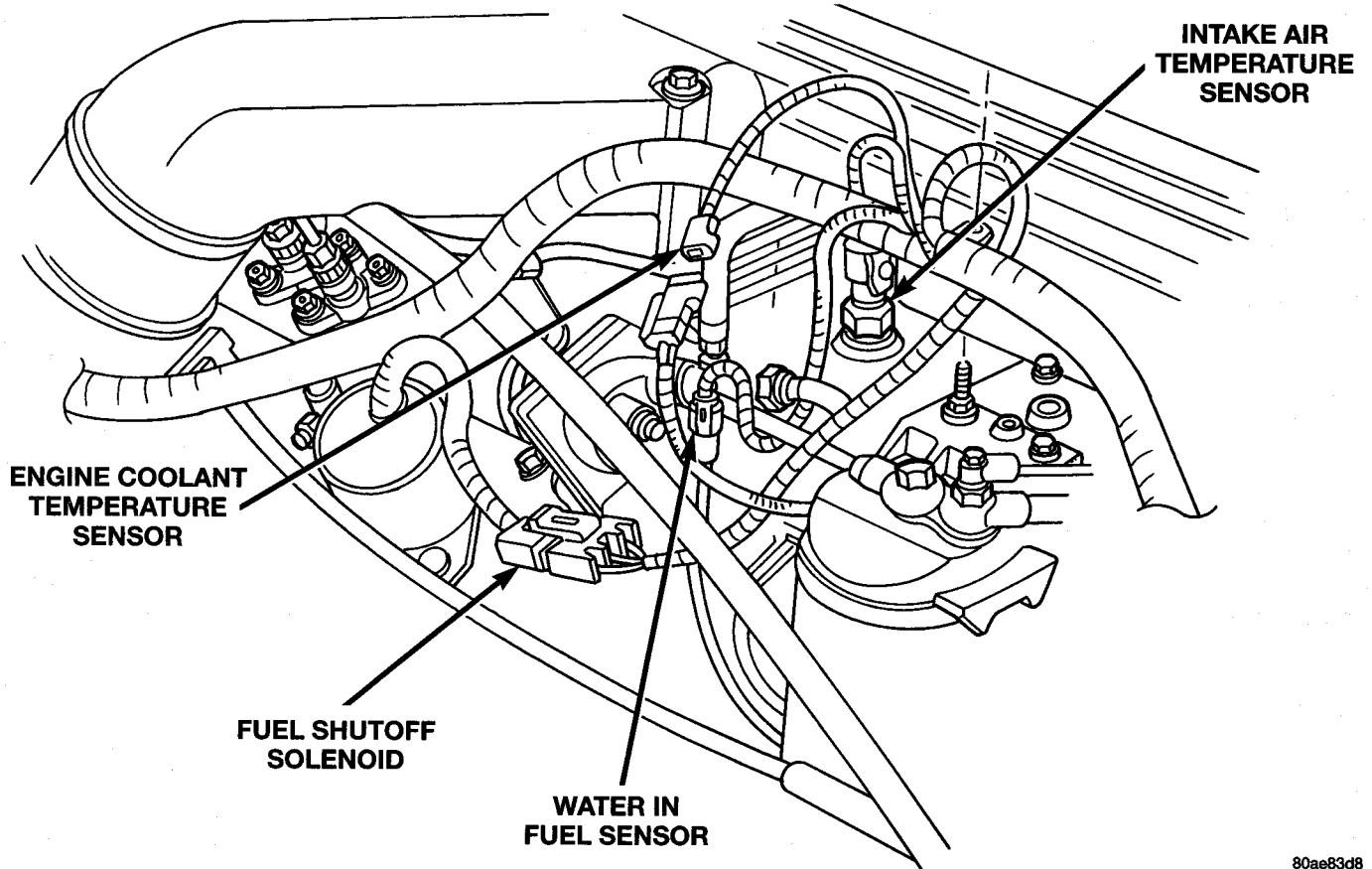


Fig. 11 Diesel Components

80ae83d8

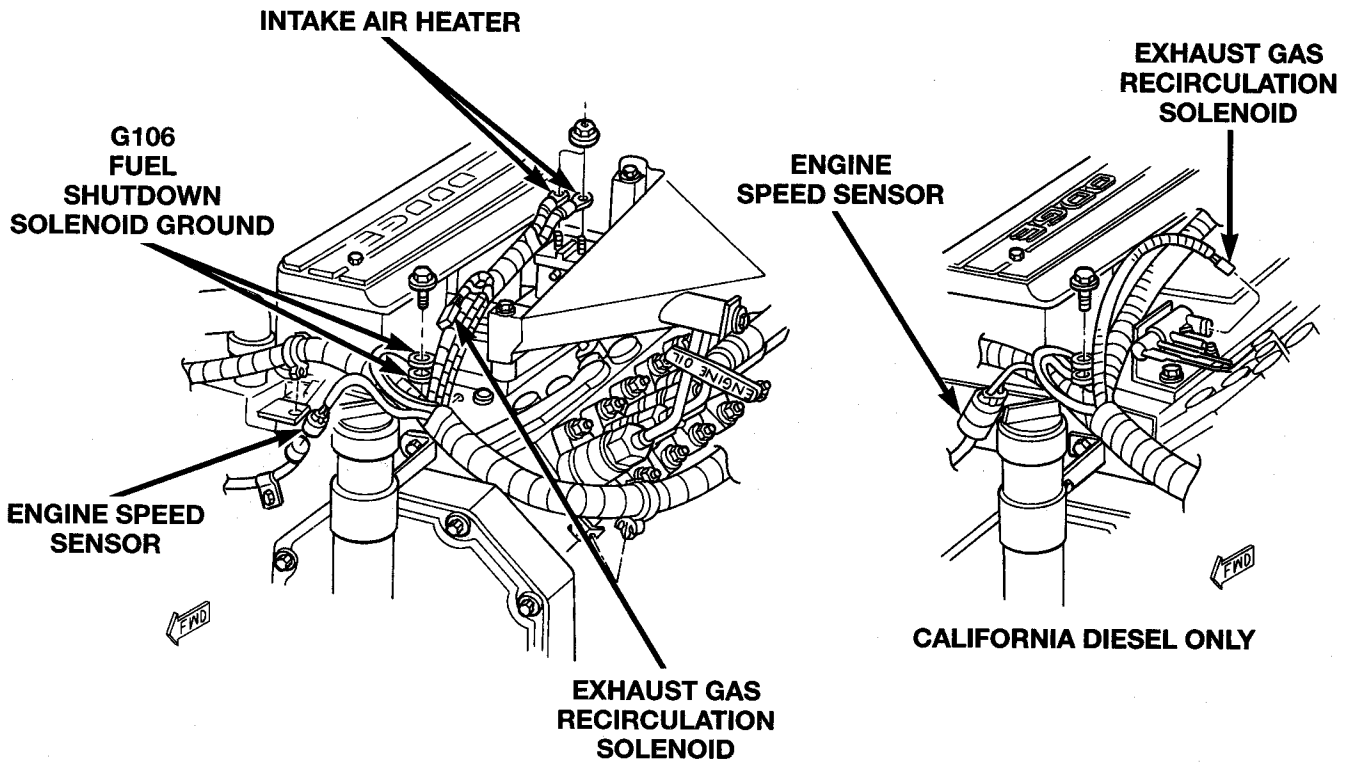
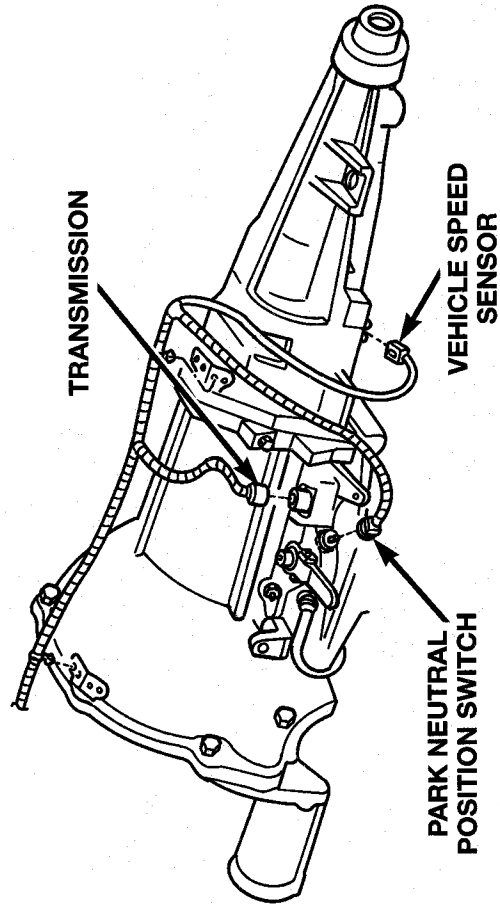
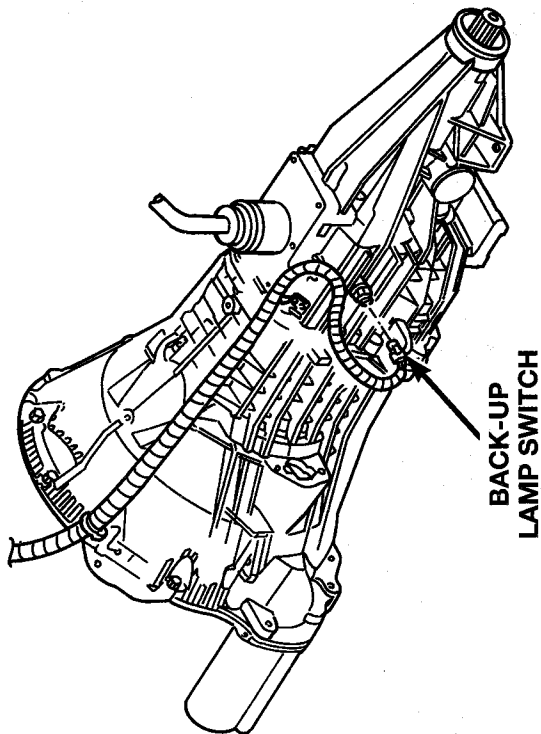
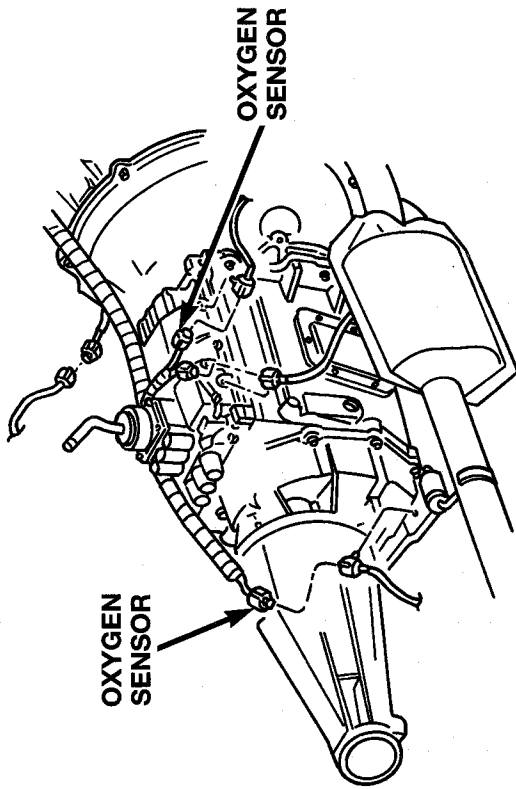


Fig. 12 Diesel Components

80ae83d9

**DESCRIPTION AND OPERATION (Continued)**

80abrdad



*Fig. 13 Transmission Connectors*

DESCRIPTION AND OPERATION (Continued)

80ae83e1

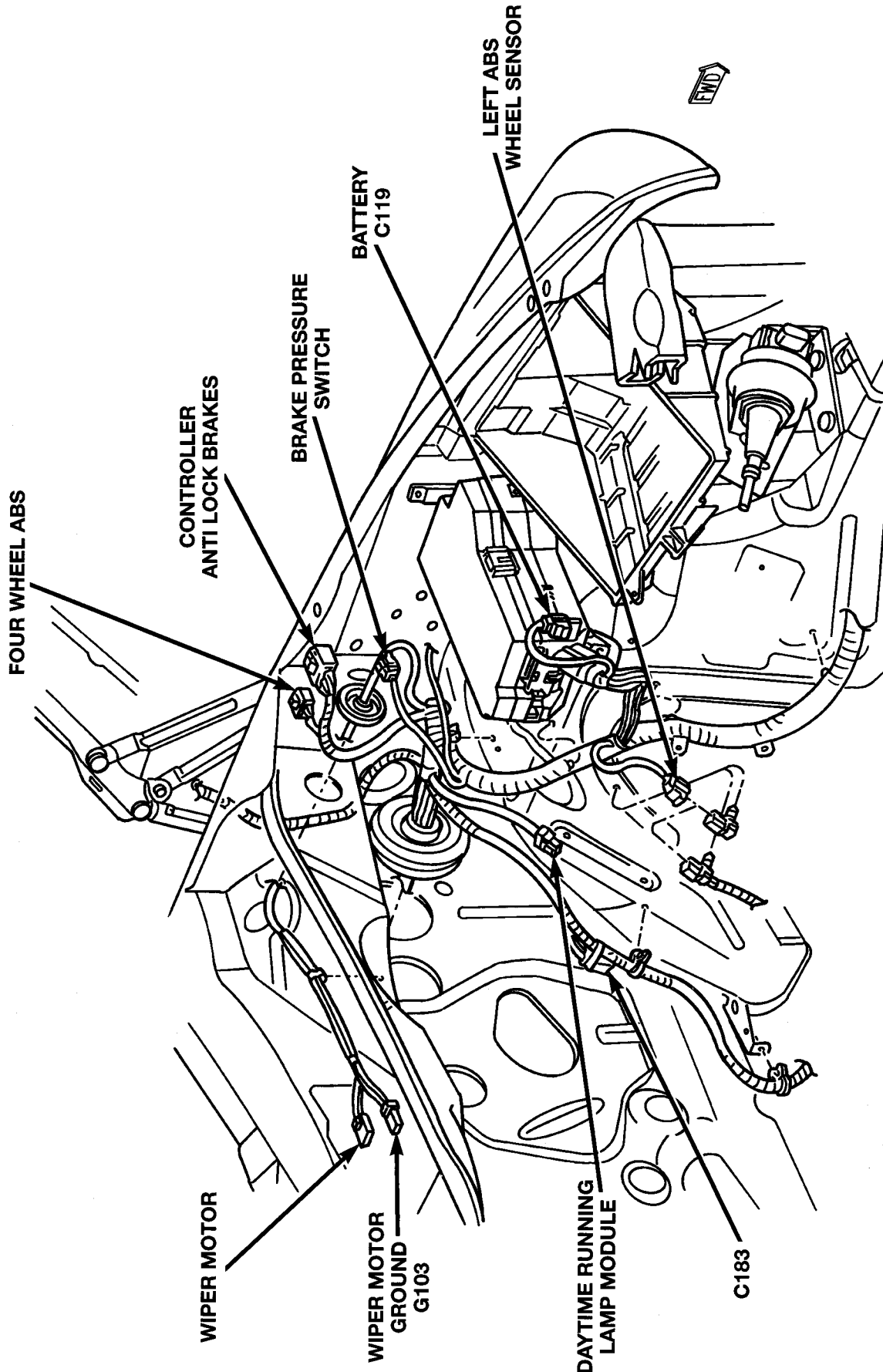
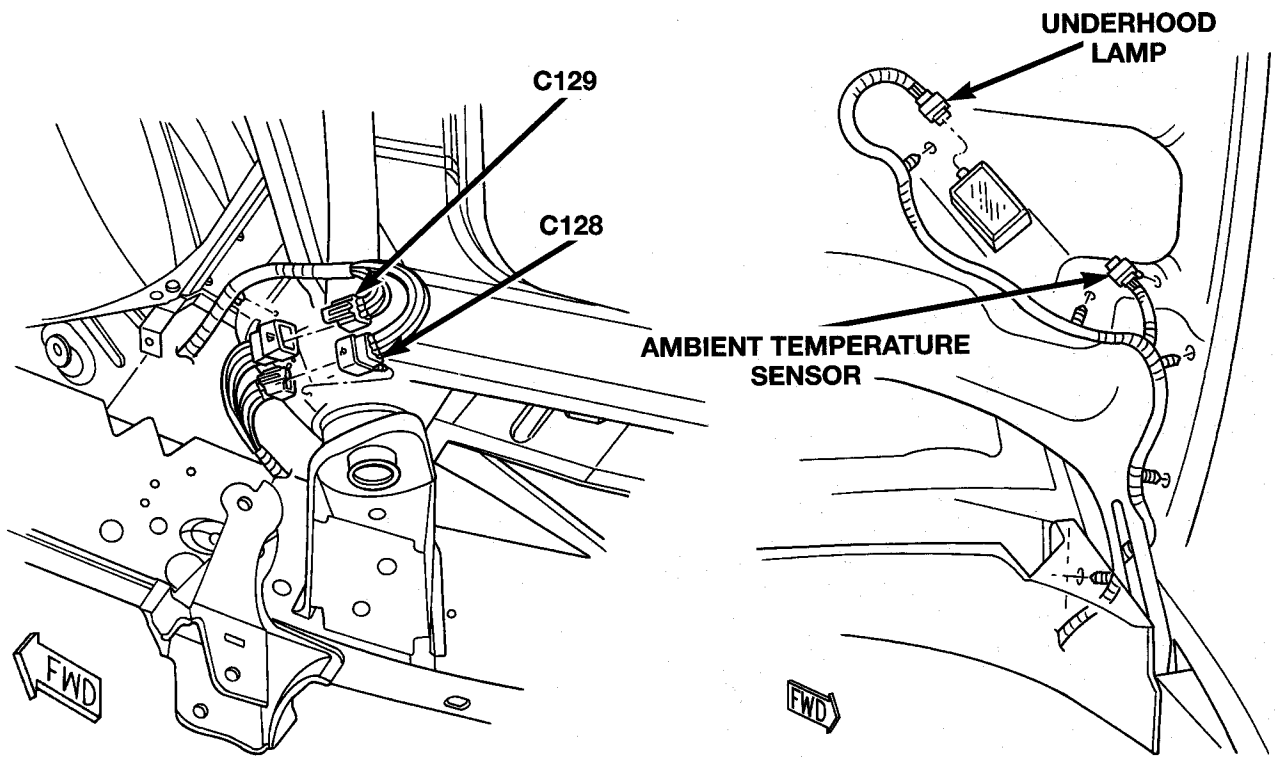


Fig. 14 Left Side Engine Compartment



**DESCRIPTION AND OPERATION (Continued)**



80ae83e2

**Fig. 15 Under Hood**

DESCRIPTION AND OPERATION (Continued)

80abfdat

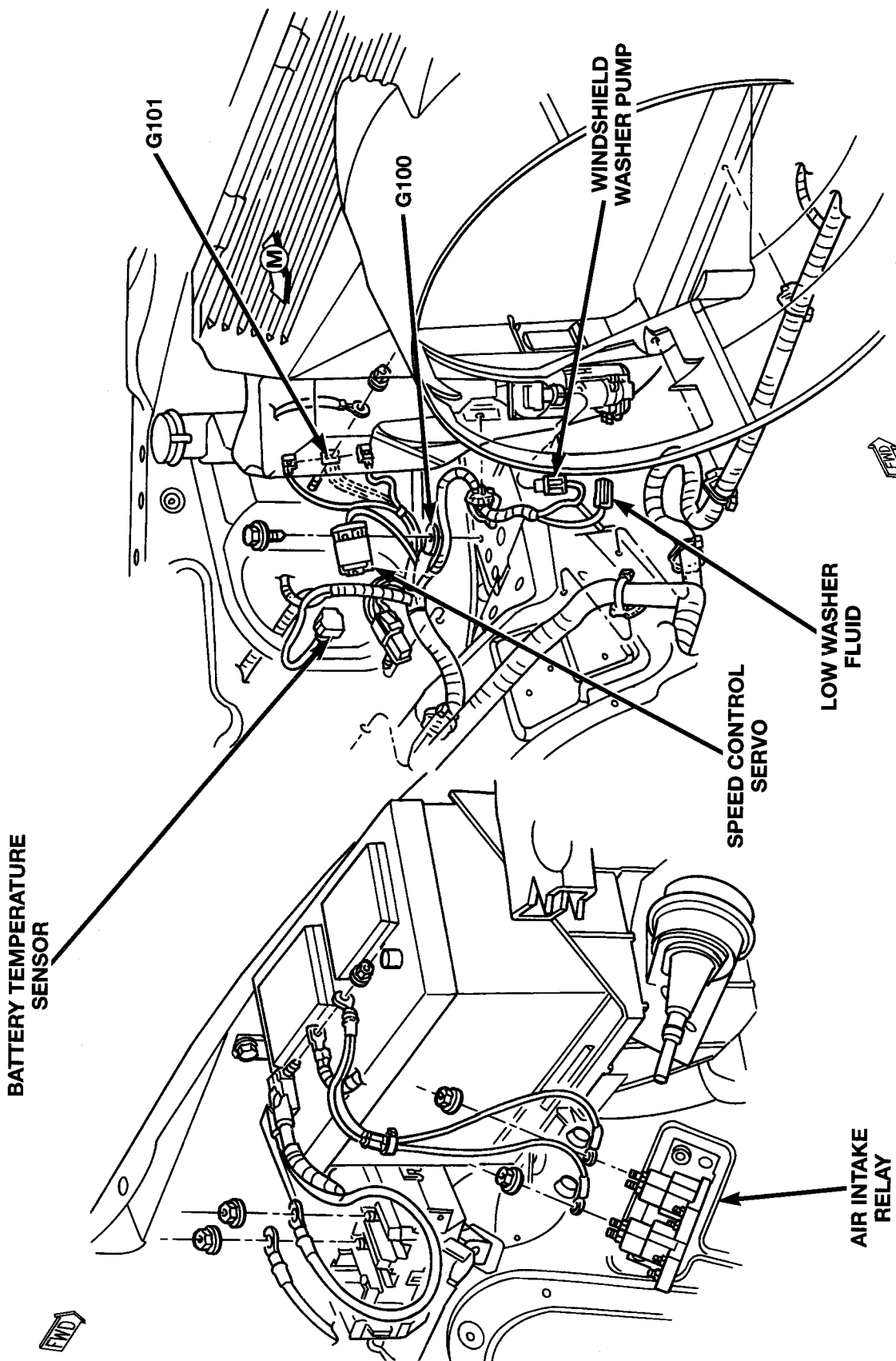
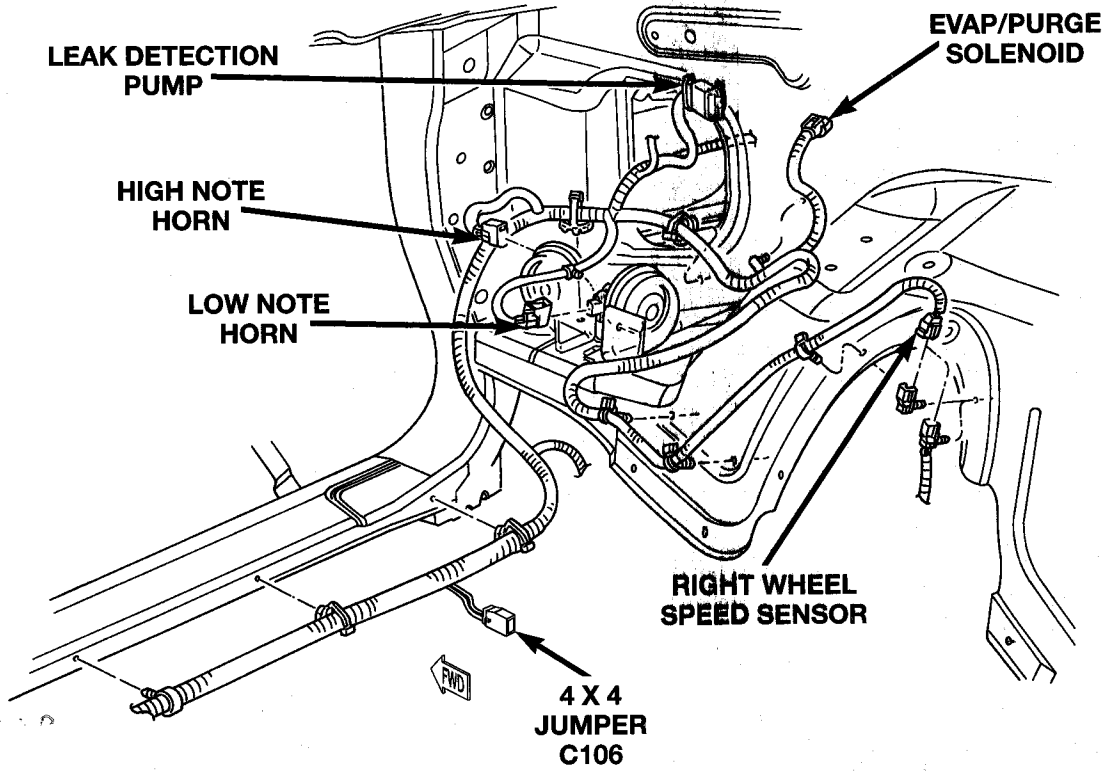


Fig. 16 Under Hood

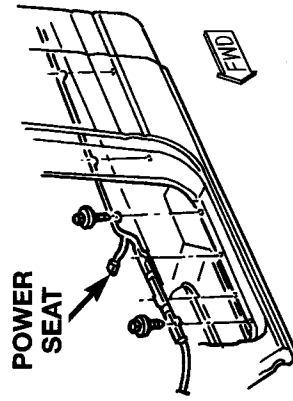
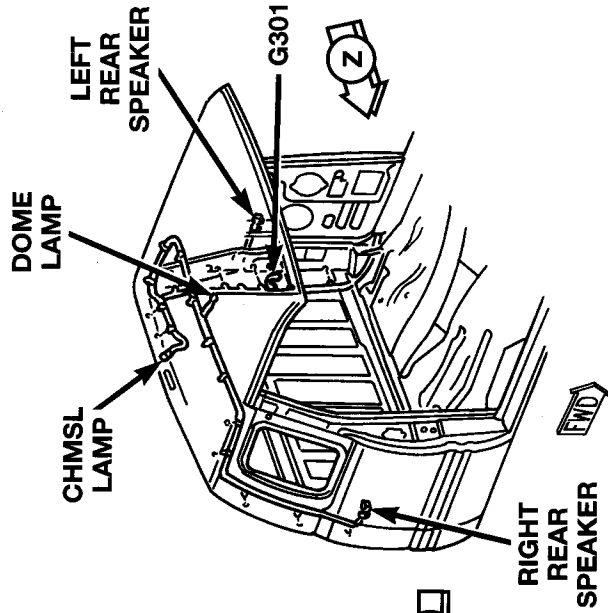
**DESCRIPTION AND OPERATION (Continued)**



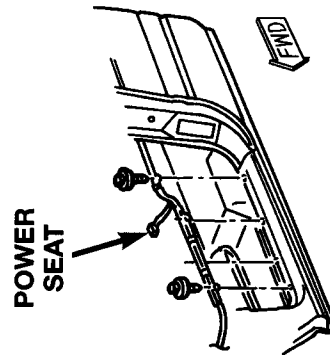
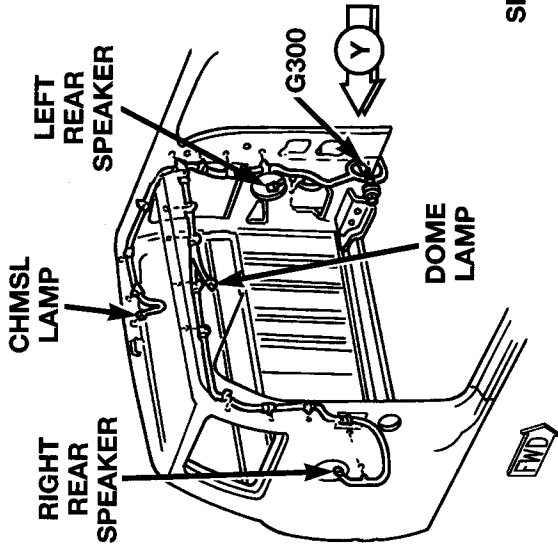
80ae83e3

**Fig. 17 Right Fender Shield**

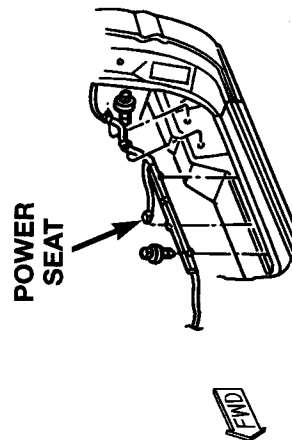
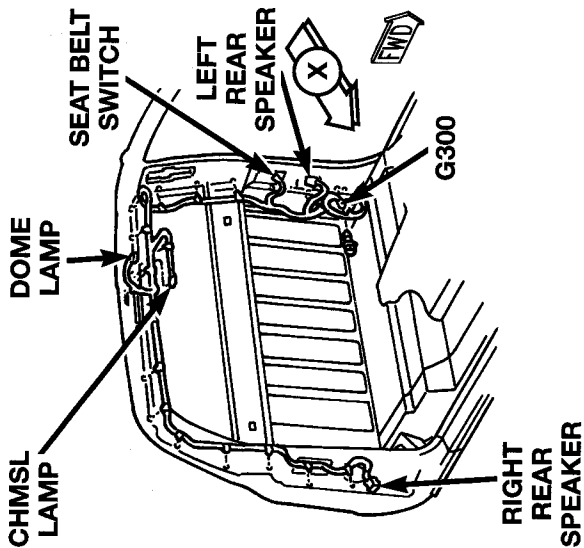
DESCRIPTION AND OPERATION (Continued)



VIEW IN DIRECTION OF ARROW Z



VIEW IN DIRECTION OF ARROW Y

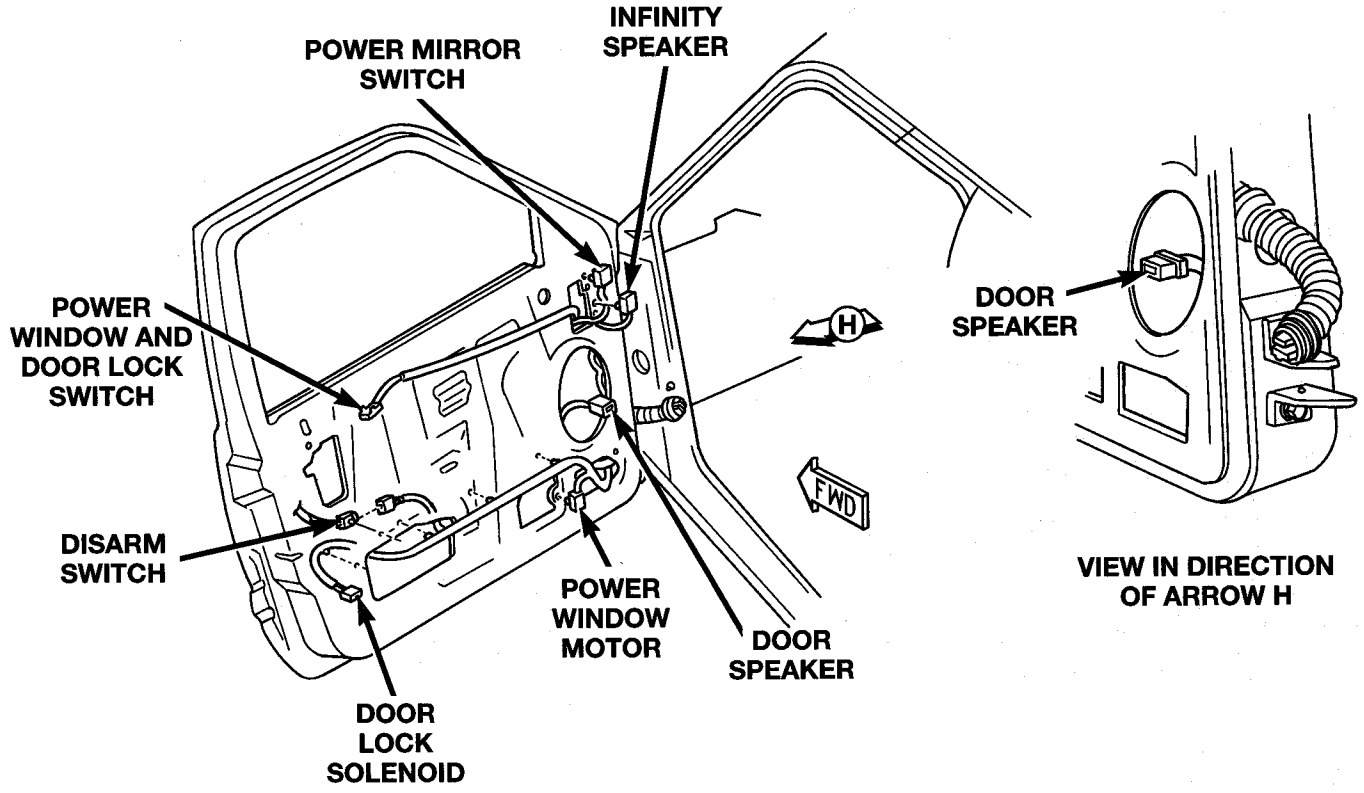


VIEW IN DIRECTION OF ARROW X

80abrdia2

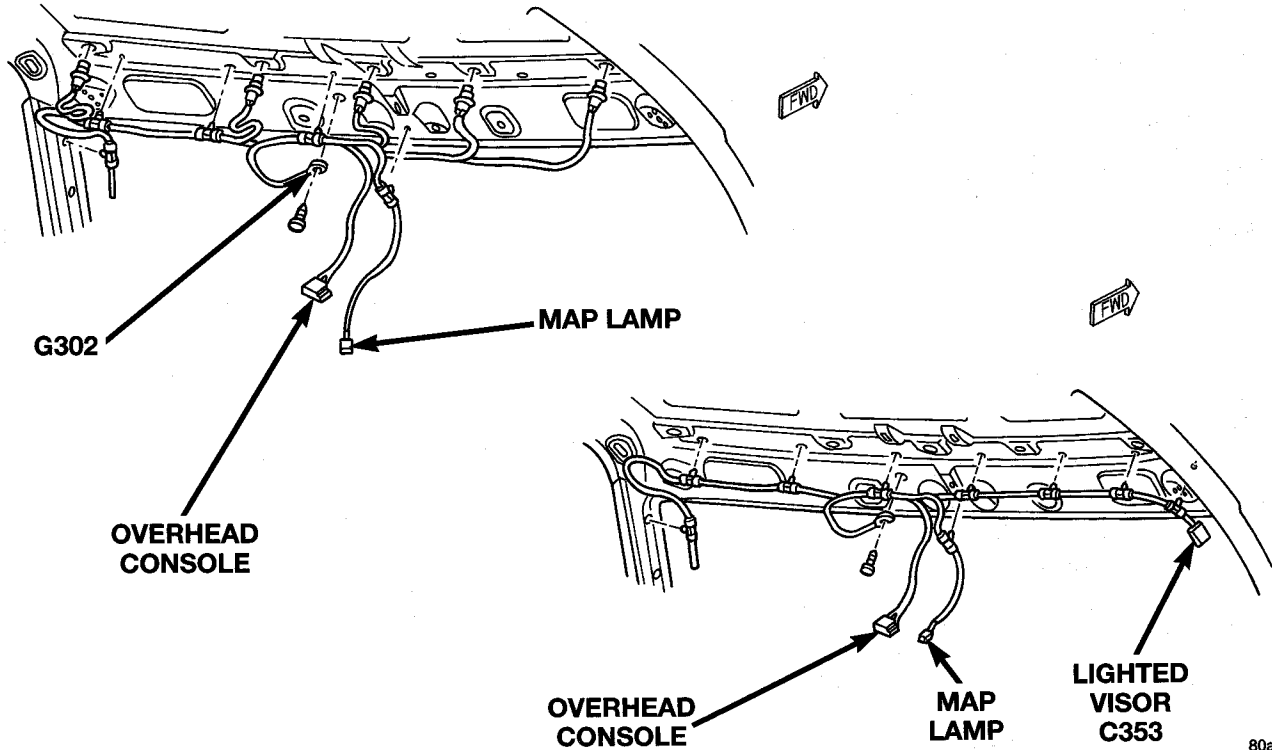
Fig. 18 Center High Mounted Stop Lamp

**DESCRIPTION AND OPERATION (Continued)**



*Fig. 19 Door*

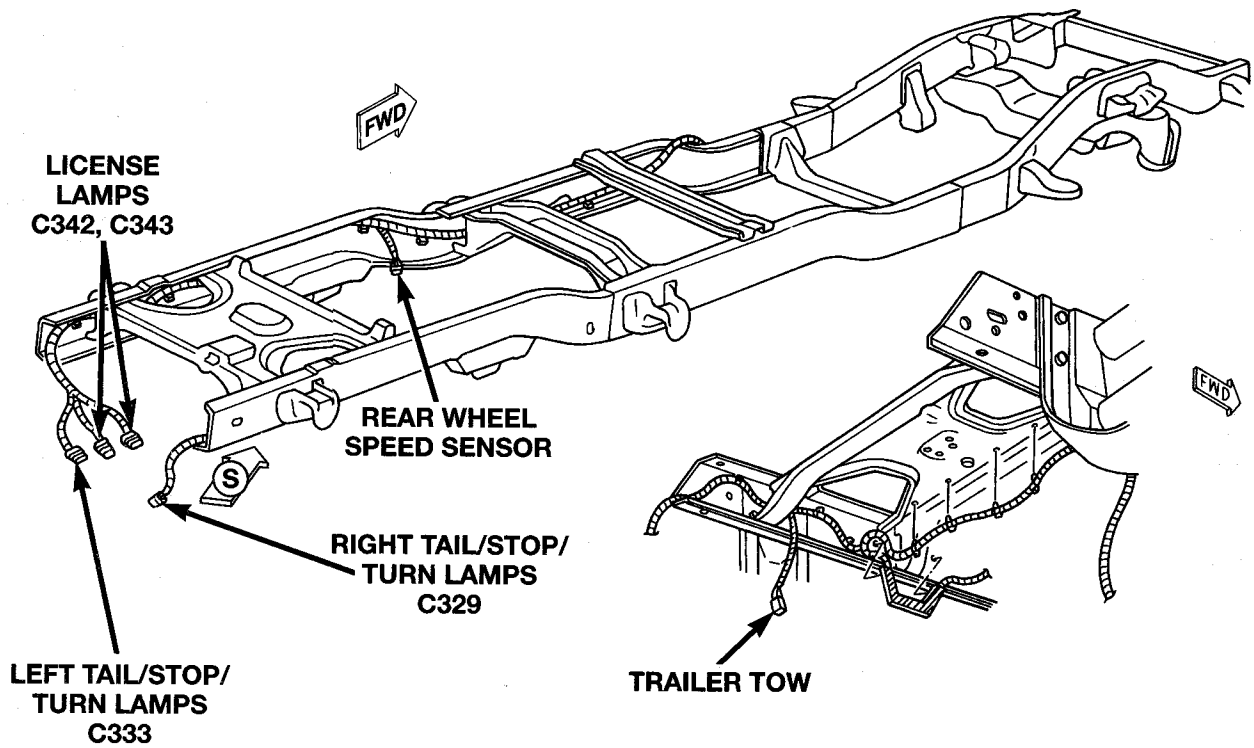
80ae83e4



*Fig. 20 Overhead Console*

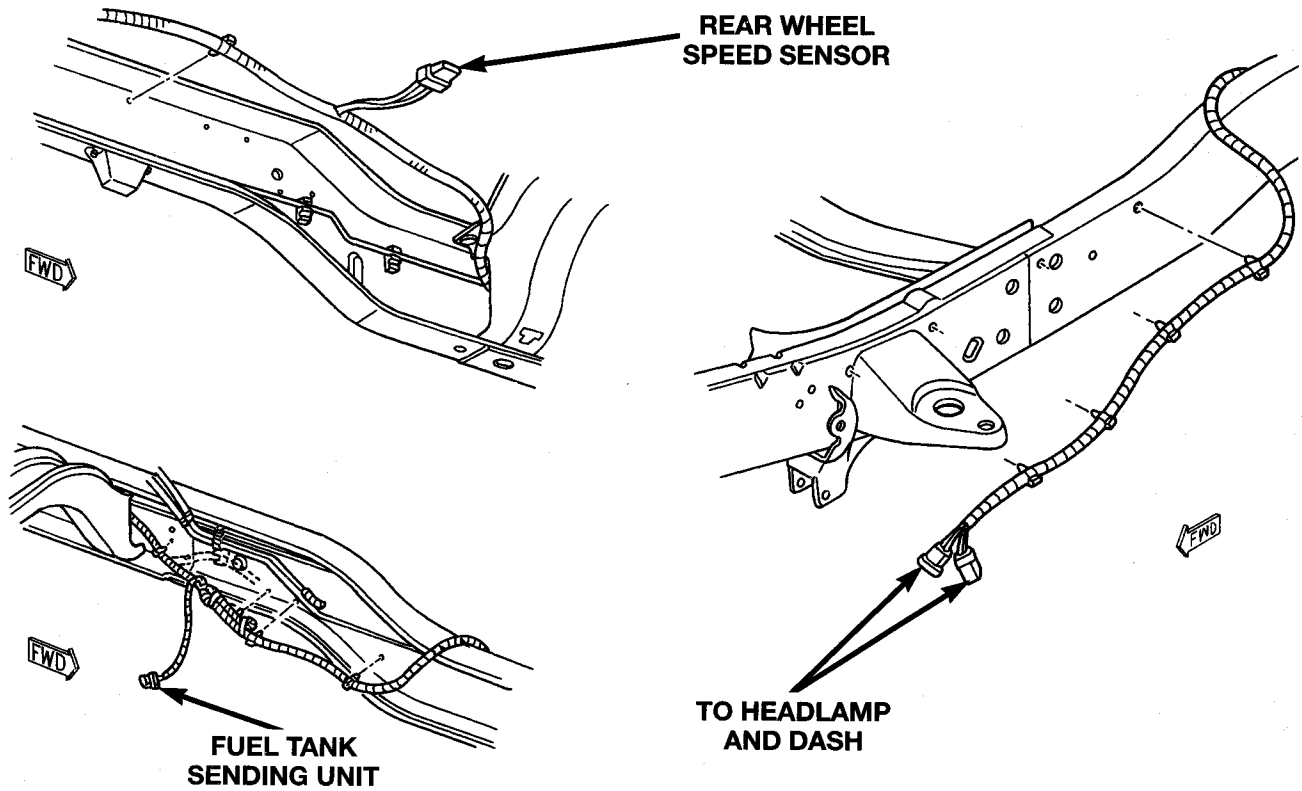
80ae83e5

**DESCRIPTION AND OPERATION (Continued)**



**Fig. 21 Tail Lamps**

80ae83e6



**Fig. 22 Frame Rail**

80ae83e7

**DESCRIPTION AND OPERATION (Continued)**

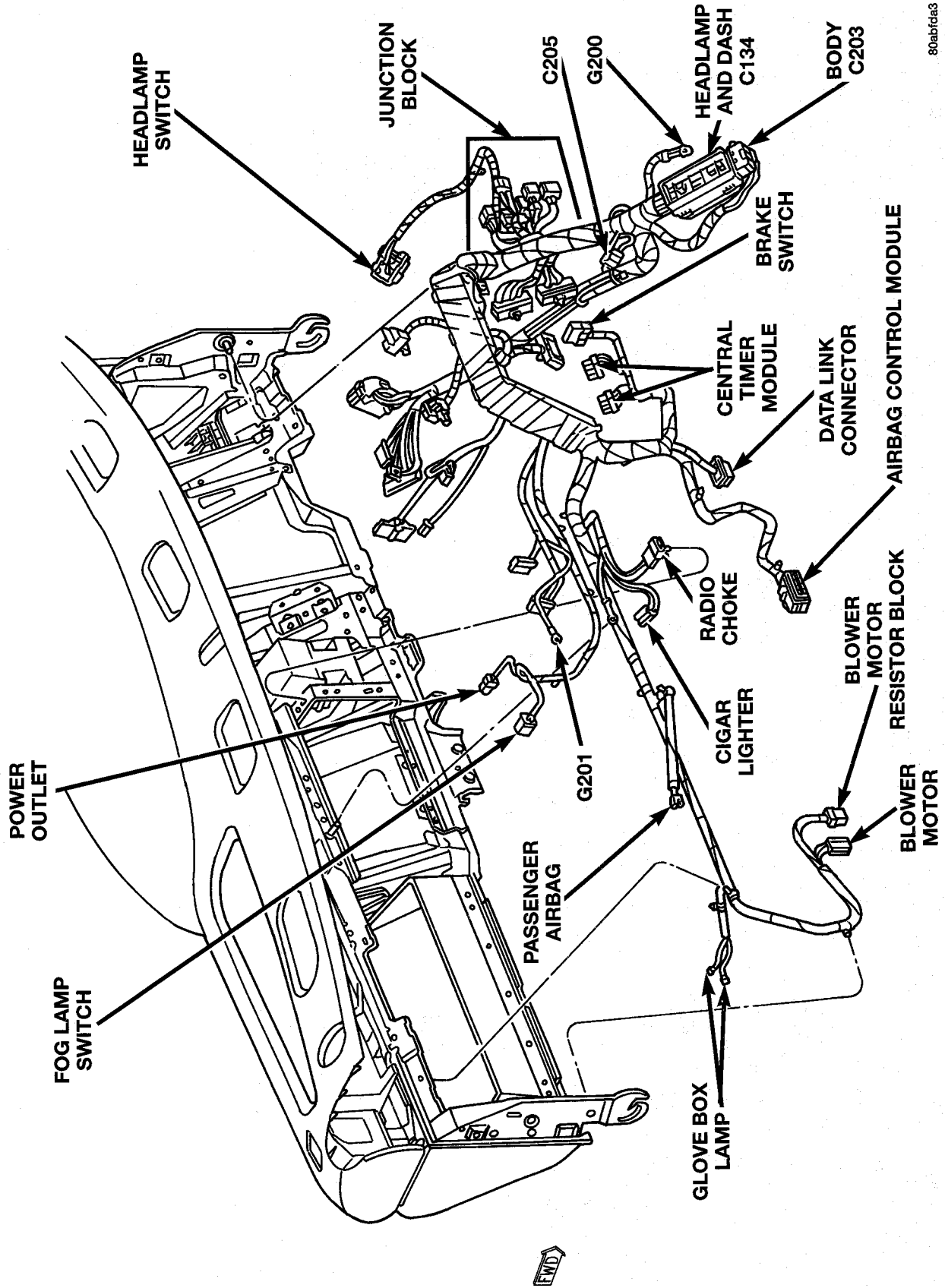


Fig. 23 Instrument Panel

DESCRIPTION AND OPERATION (Continued)

80abfda4

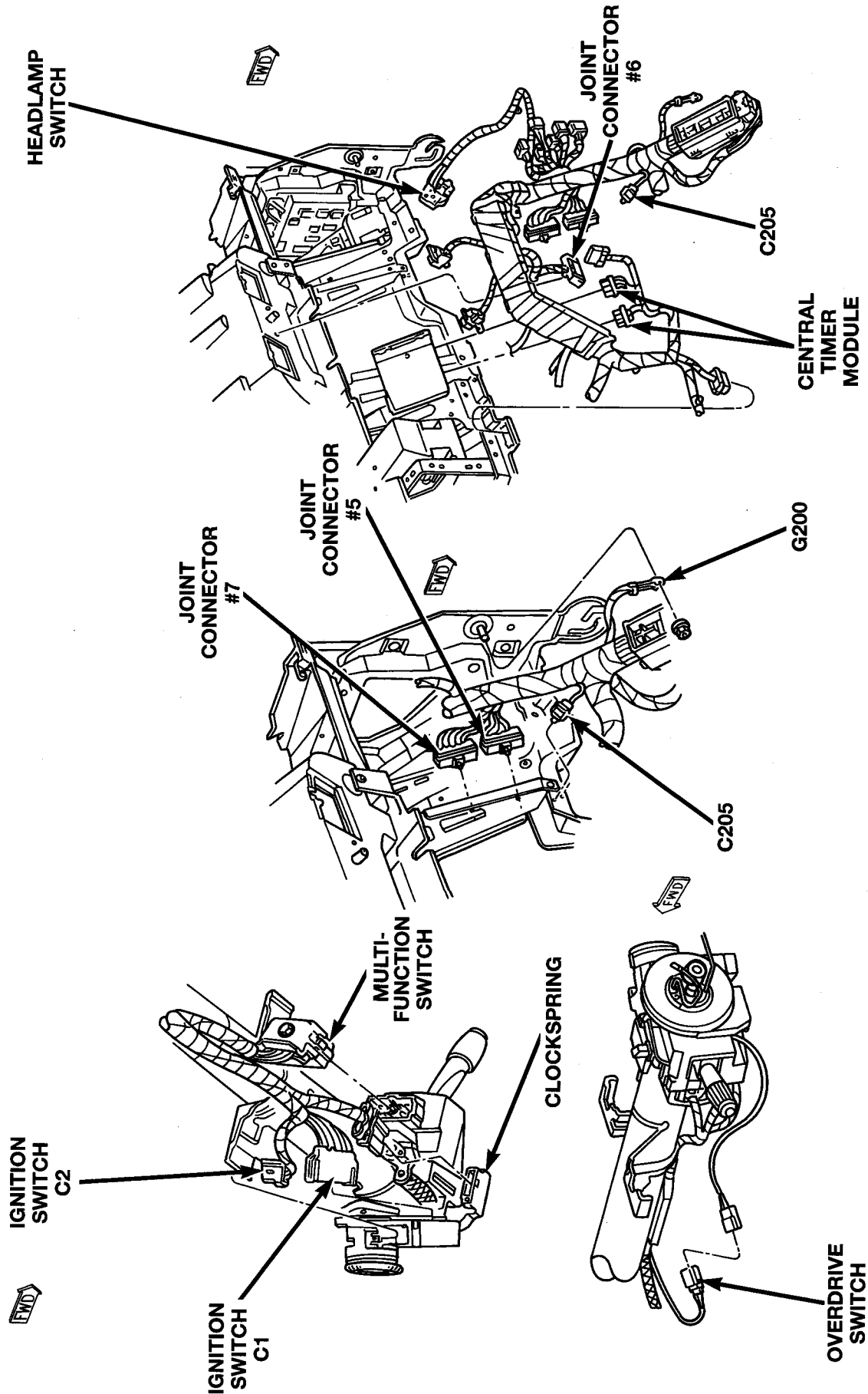


Fig. 24 Steering Column



**DESCRIPTION AND OPERATION (Continued)**

80abrdas

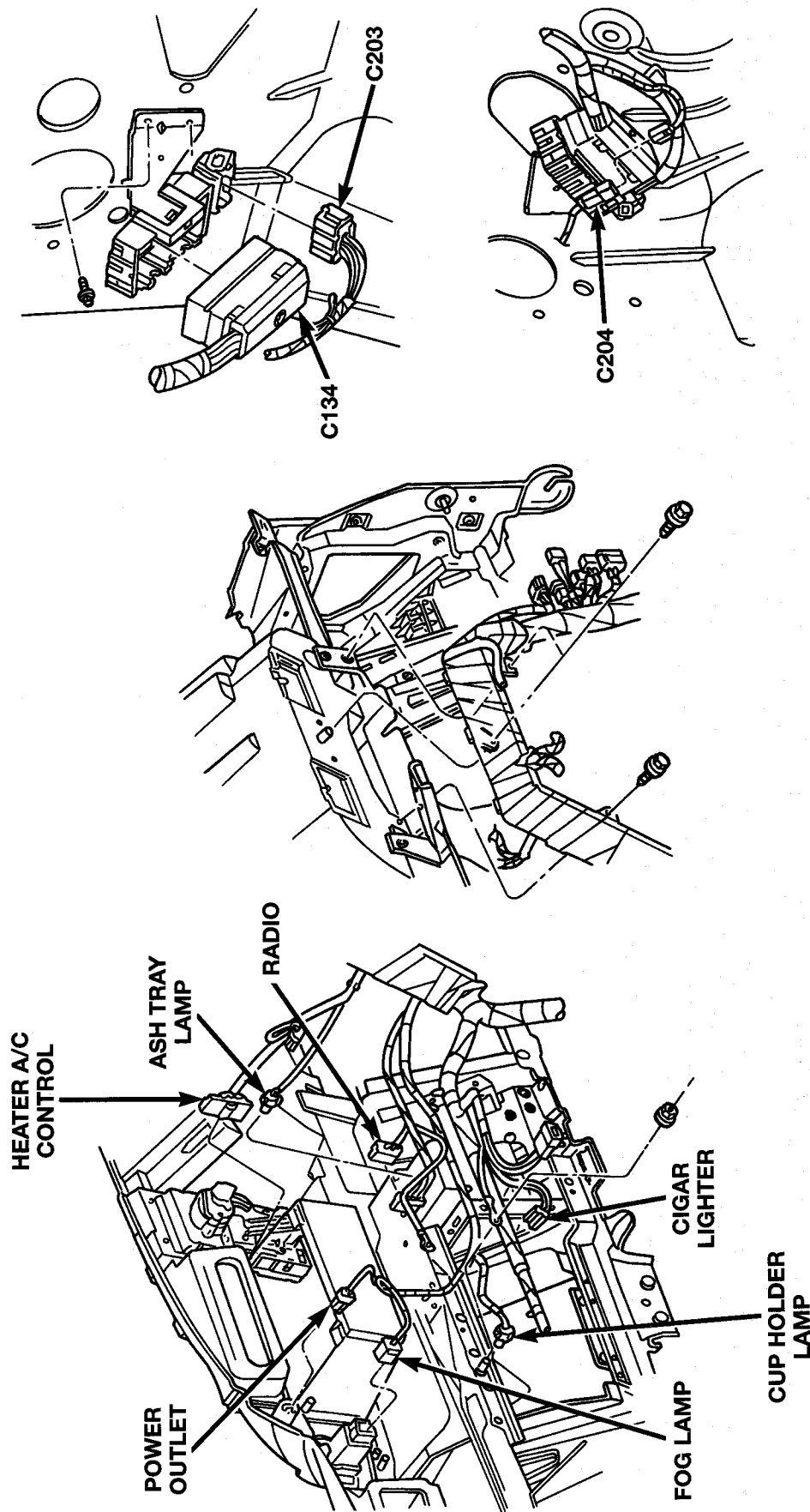
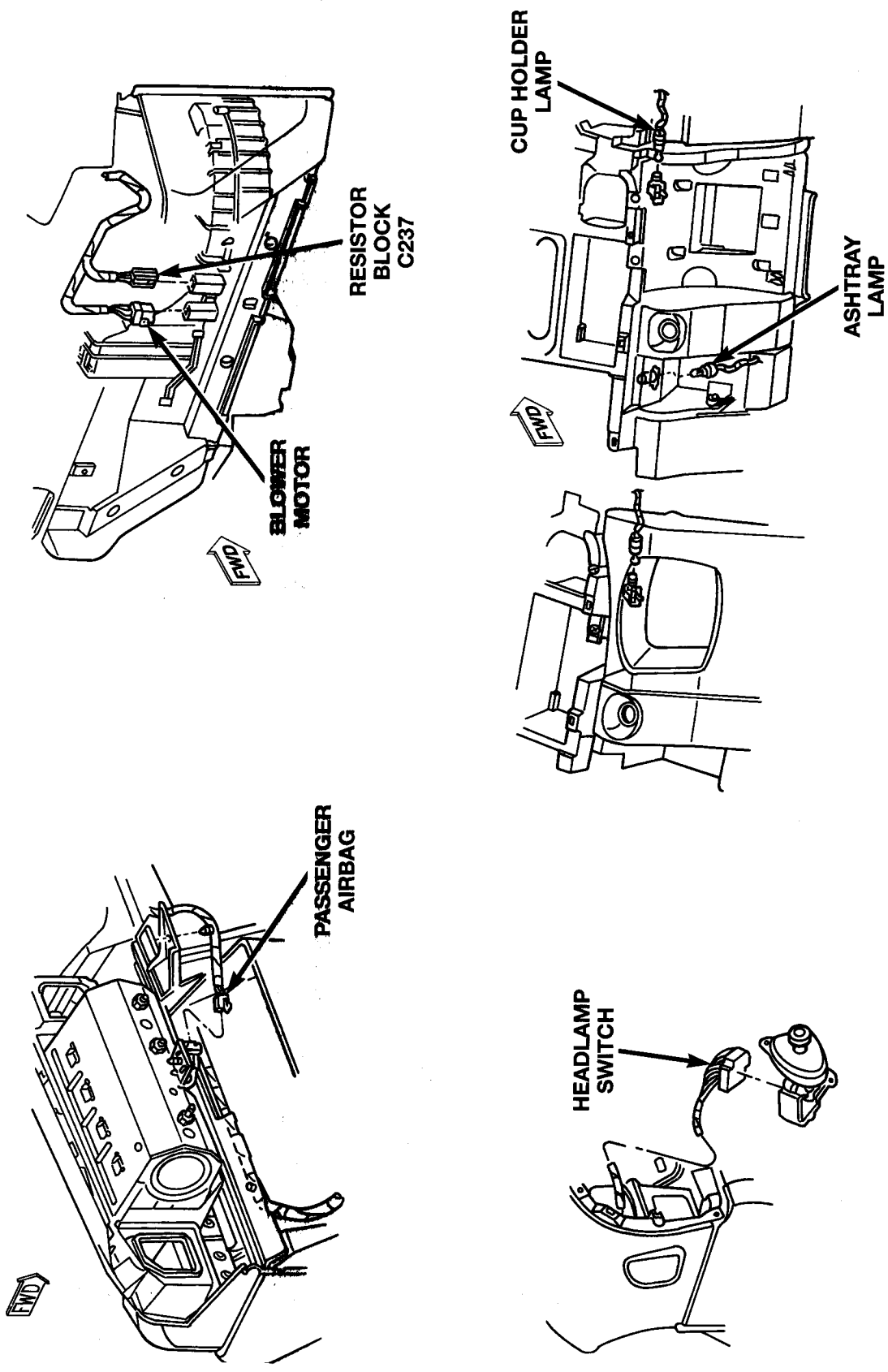


Fig. 25 Instrument Panel

DESCRIPTION AND OPERATION (Continued)



80abfca6

Fig. 26 Instrument Panel

## 8W-95 SPLICE LOCATIONS

### DESCRIPTION AND OPERATION

#### INTRODUCTION

This section provides illustrations identifying the general location of the splices in this vehicle. A splice index is provided. Use the wiring diagrams in each

section for splice number identification. Refer to the index for proper splice number.

#### SPLICE LOCATIONS

For splices that are not shown in the figures in this section, N/S is placed in the Fig. column.

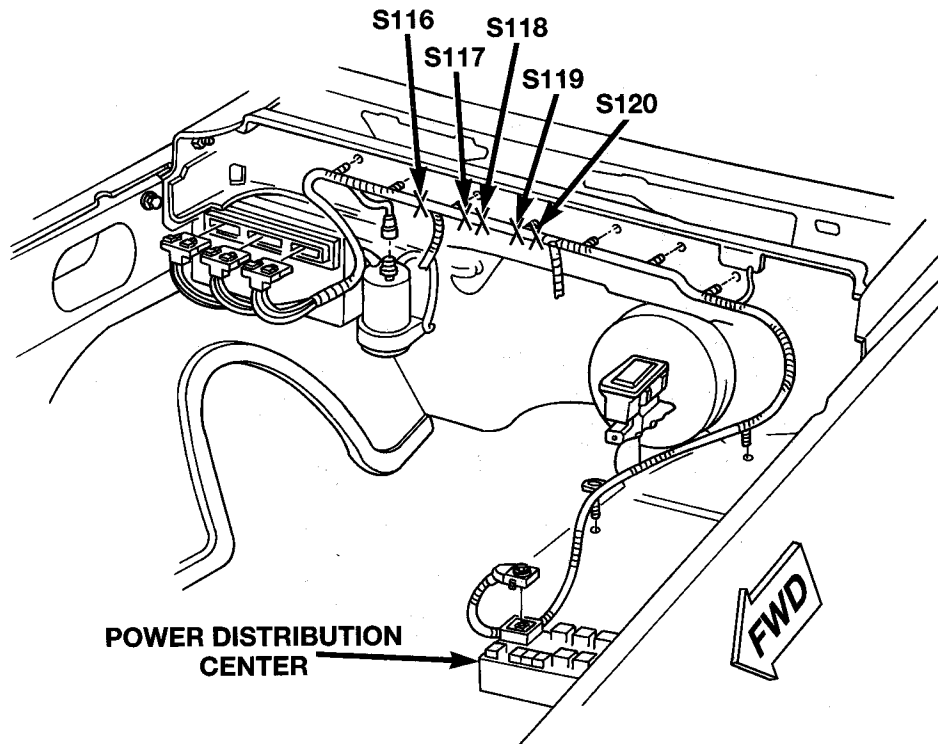
Splice Number	Location	Fig.
S101	Right of Radiator	9
S102	Right/Park/Turn T/O	9
S103	Left/Park/Turn T/O	N/S
S104	Left Front Fender Area	N/S
S105	Headlamp and Dash Harness Near Left Wheel Speed sensor	8
S106	Headlamp and Dash Harness Near Left Wheel Speed sensor	8
S107	Headlamp and Dash Harness Near Left Wheel Speed sensor	8
S108	Near Antilock Brake T/O	8
S109	Near Antilock Brake T/O	8
S110	Near Antilock Brake T/O	8
S111	Near Antilock Brake T/O	8
S112	Antilock Brake Controller T/O	8
S113	Antilock Brake Controller T/O	8
S114	In T/O to Chassis Harness	8
S115	In T/O to DRL Module	8
S116(V6, V8)	Rear of Engine on Dash Panel	1
S116 (V10)	Engine Harness Rear of Engine	4
S116 (Diesel)	Rear of Engine on Dash Panel	2
S117 (V6, V8)	Rear of Engine on Dash Panel	1
S117 (V10)	Engine Harness Rear of Engine	4
S118 (V6, V8)	Rear of Engine on Dash Panel	1
S118 (V10)	Engine Harness Rear of Engine	N/S

Splice Number	Location	Fig.
S118 (Diesel)	Near Branch to Fuel Heater	6
S119 (V6, V8)	Rear of Engine on Dash Panel	1
S119 (V10)	Engine Harness Rear of Engine	N/S
S119 (Diesel)	Rear of Engine on Dash Panel	2
S120 (V6, V8)	Rear of Engine on Dash Panel	1
S120 (V10)	Engine Harness Rear of Engine	N/S
S120 (Diesel)	Engine Harness Rear of Engine	2
S121 (V6, V8)	Near T/O for No. 5 Fuel Injector	3
S121 (V10)	Near T/O for No. 5 Fuel Injector	4
S121 (Diesel)	Engine Harness Top of Engine	6
S122 (V6, V8)	Top of Transmission	5
S122 (V10)	Rear of Engine in Branch to Transmission	N/S
S123 (V6, V8)	Near T/O for No. 3 Fuel Injector	3, 4
S123 (V10)	Near T/O for No. 1 Fuel Injector	N/S
S124 (V6, V8)	Top of Transmission	5
S124 (V10)	Rear of Engine in Branch to Transmission	N/S
S125 (V6, V8)	Top of Transmission	5
S125 (V10)	Rear of Engine in Branch to Transmission	N/S
S126 (V6, V8)	Near T/O for No. 1 Fuel Injector	3
S126 (V10)	Near Engine Ground	4

**DESCRIPTION AND OPERATION (Continued)**

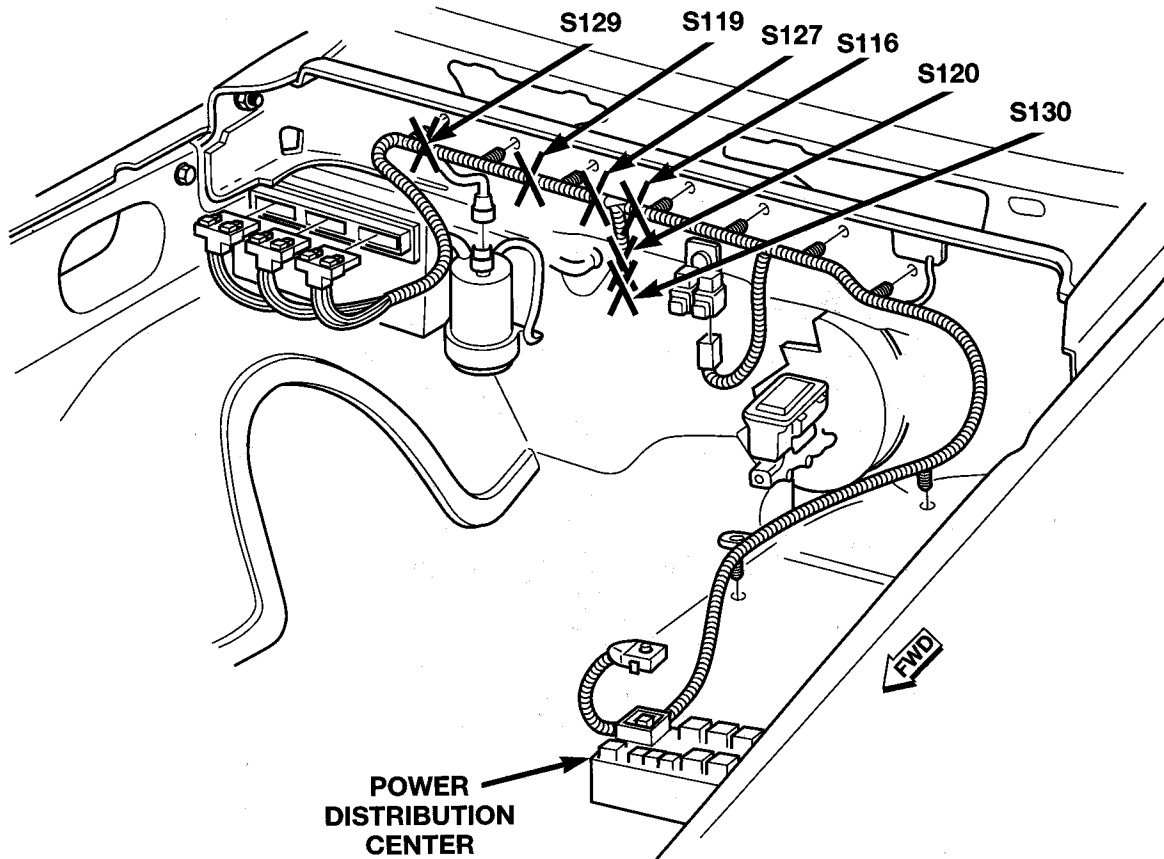
Splice Number	Location	Fig.	Splice Number	Location	Fig.
S126 (Diesel)	Engine Harness Top of Engine	N/S	S308	Left Cowl	11
S127 (V6, V8)	At Transmission	7	S309	Left Cowl	11
S127 (V10)	At transmission	7	S310	Near Left Rear Speaker	N/S
S127 (Diesel)	Rear of Engine on Dash Panel	2	S311	At Left Body Ground	N/S
S128	Near Fuel Shutdown Relay	N/S	S312	Left Door	N/S
S129	Near A/C Low Pressure T/O	2	S313	Left Frame Rail	N/S
S130 (Diesel)	Engine Harness Rear of Engine	2	S314	Left Frame Rail	12
S131	Engine Harness Rear of Engine	N/S	S315	Left Frame Rail	12
S132 (Diesel)	Transmission Harness	N/S	S316	Left Frame Rail	12
S133 (Diesel)	Transmission Harness	N/S	S317	Left Frame Rail	12
S134	Near Fog Lamps	N/S	S318	In Trailer Tow T/O	12
S200	Near Cluster T/O	13	S319	In Trailer Tow T/O	12
S201	Near Cluster T/O	13	S320	In Trailer Tow T/O	12
S202	Near Overdrive Switch	13	S321	In Trailer Tow T/O	N/S
S203	Near Overdrive Switch	13	S322	At Roof Lamps	10
S204	Near Cluster T/O	13	S323	At Roof Lamps	10
S205	Near Cluster T/O	13	S324	At Roof Lamps	10
S206	Near Cluster T/O	13	S325	At Roof Lamps	10
S207	Near Blower Motor	N/S	S326	At Roof Lamps	10
S208	Near Passenger Airbag Disarm Switch	N/S	S327	Power Seat Harness Near Switch	N/S
S300	Left Side Instrument Panel	N/S	S328	Power Seat Harness Near T/O to Switch	N/S
S301	Left Side Instrument Panel	N/S	S329	Left Door Near Grommet	N/S
S302	Left Side Instrument Panel	N/S	S330	Right Door Near Grommet	N/S
S303	Left Side Instrument Panel	N/S	S331	Near T/O to Fuel Tank Sending Unit	N/S
S304	Left Side Instrument Panel	N/S	S401	Right Fender Lamps	N/S
S305	Right Side Instrument Panel	N/S	S402	Left Fender Lamps	N/S
S306	Left Side Instrument Panel	N/S	S403	Right Fender Lamps	N/S
S307	Left Cowl	11	S404	Left Fender Lamps	N/S

**DESCRIPTION AND OPERATION (Continued)**



**Fig. 1 Dash Panel (Gas Engines)**

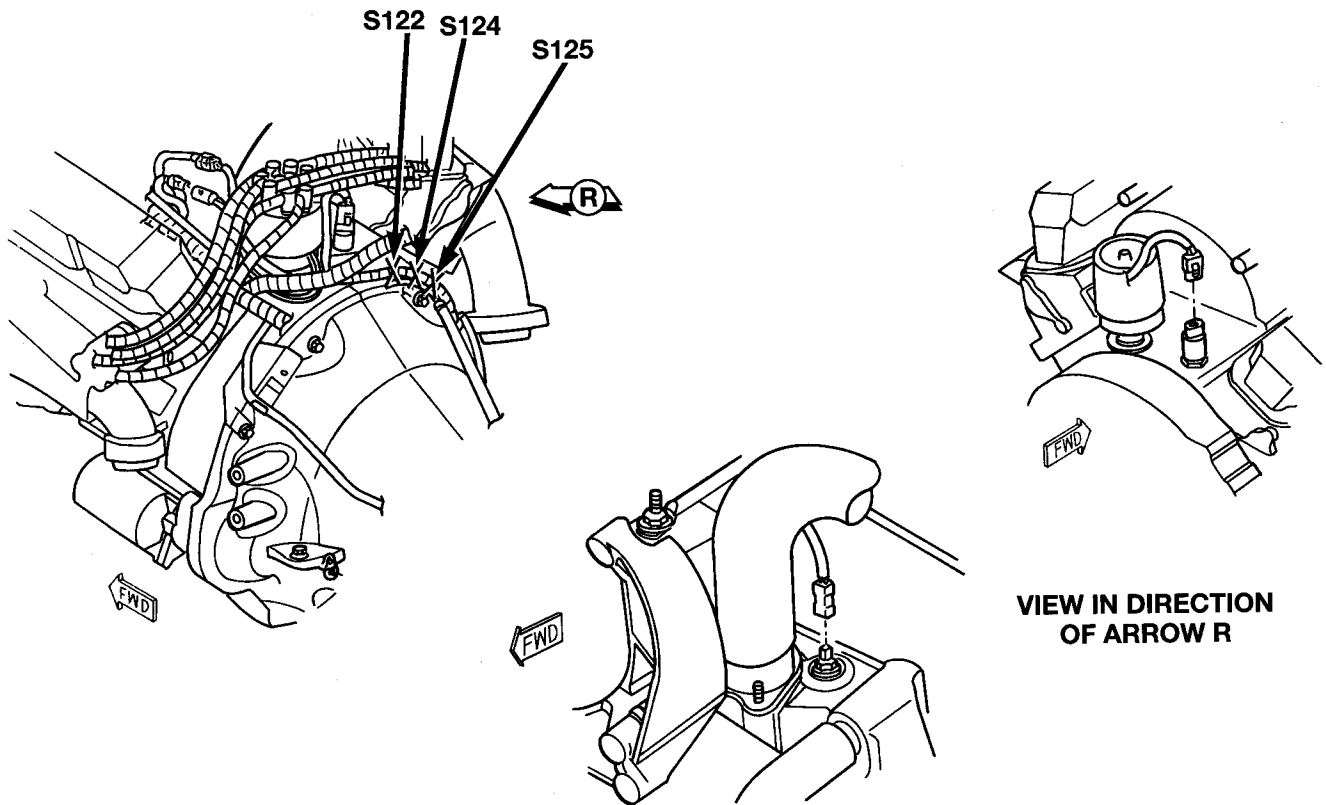
80b11cc1



**Fig. 2 Dash Panel (Diesel Engine)**

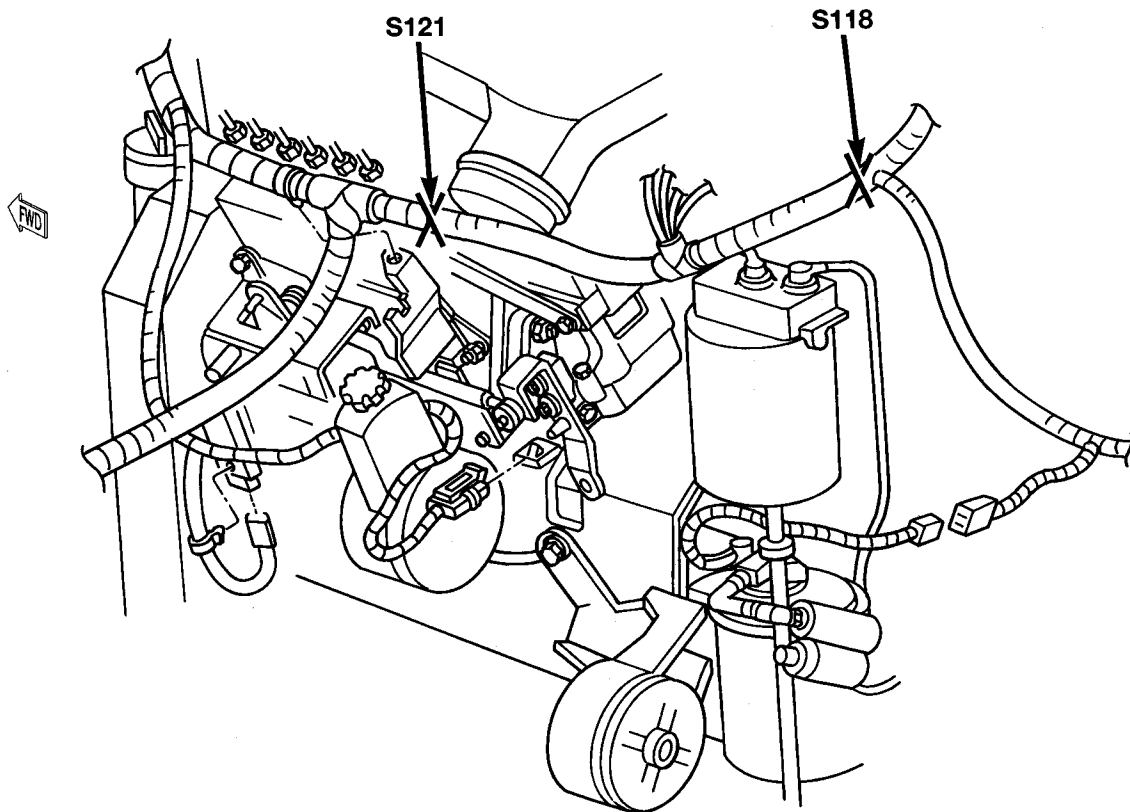
80b11cc2

**DESCRIPTION AND OPERATION (Continued)**



**Fig. 5 5.2-5.9 Liter Engine**

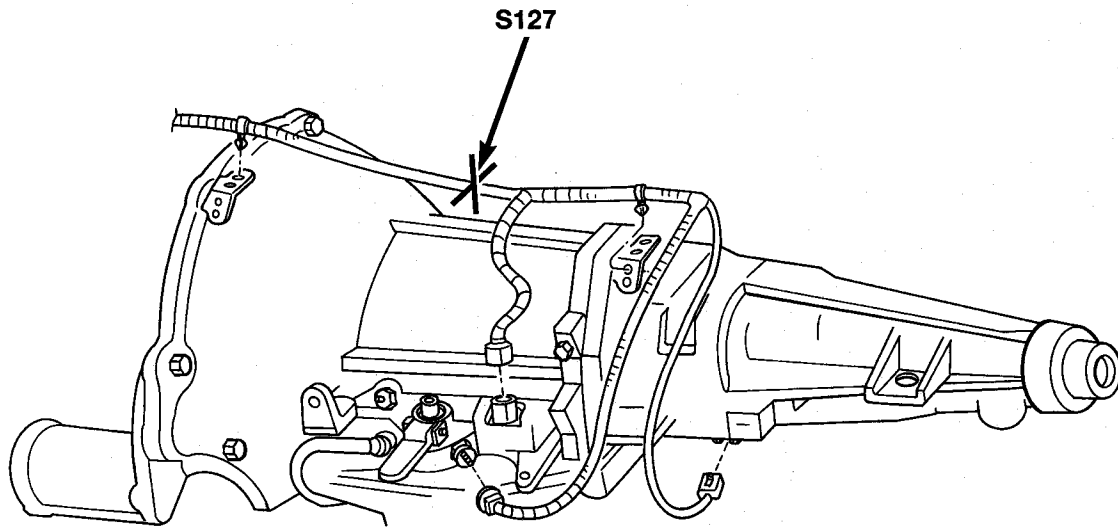
80b11cc3



**Fig. 6 Left Side Diesel Engine**

80b11cc4

**DESCRIPTION AND OPERATION (Continued)**



80b11cc5

**Fig. 7 Left Side Transmission**

DESCRIPTION AND OPERATION (Continued)

80abfdb3

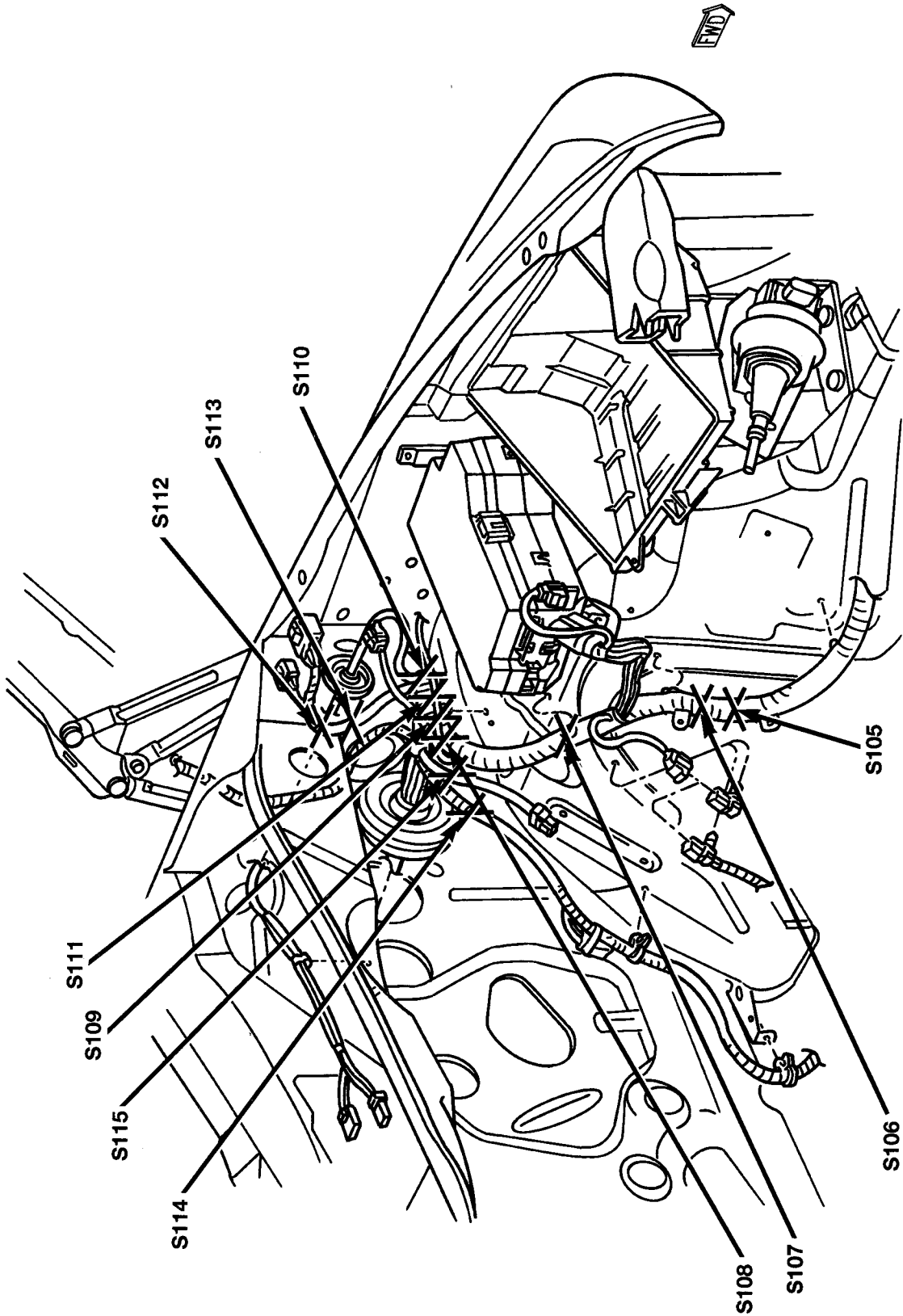


Fig. 8 Left Side Engine Compartment



DESCRIPTION AND OPERATION (Continued)

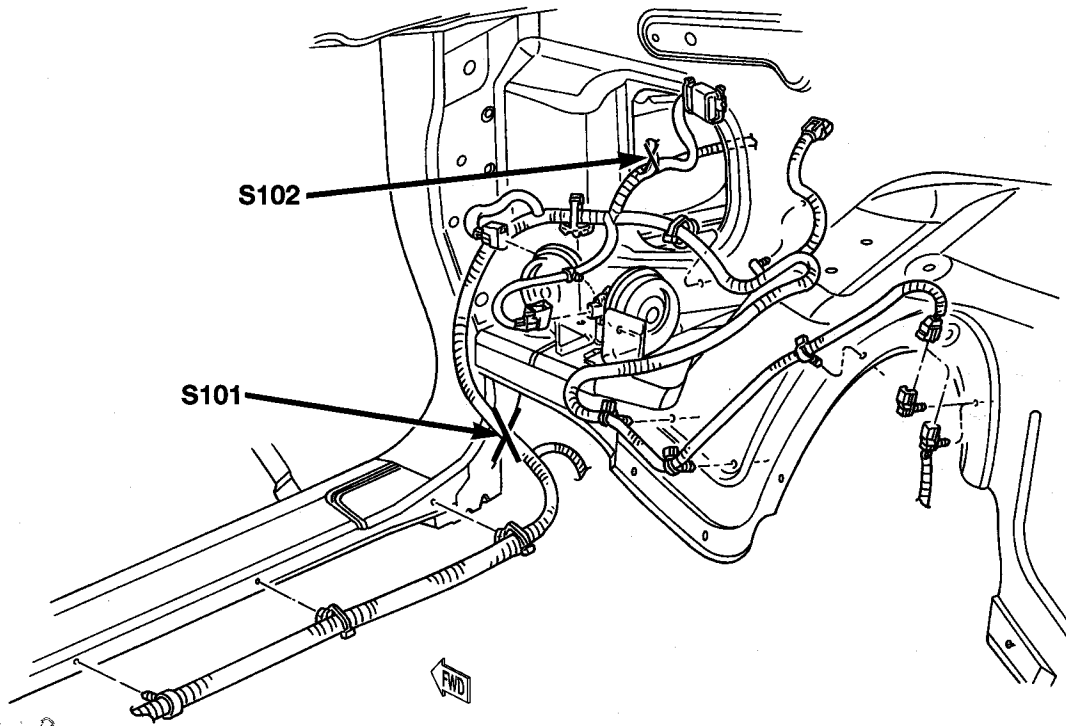


Fig. 9 Right Fender Side Shield

80b11cc6

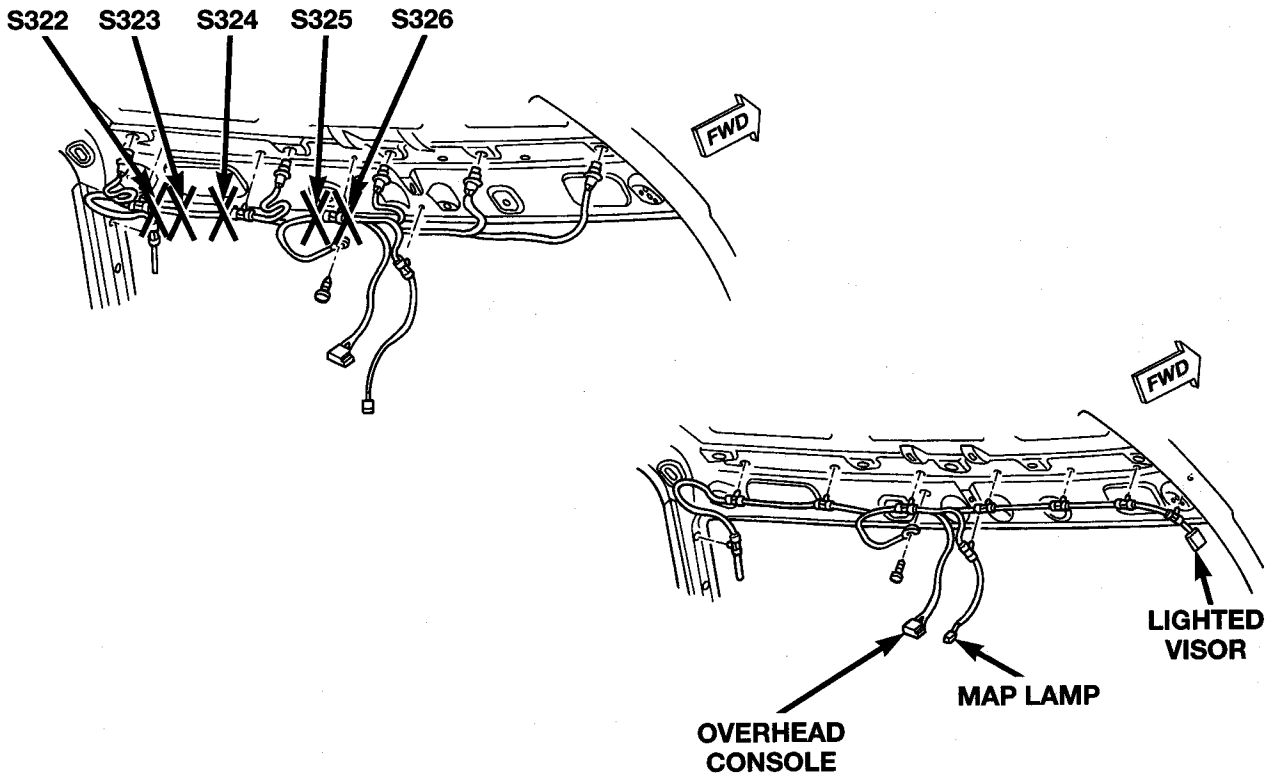


Fig. 10 Overhead Console

80b11cc7

DESCRIPTION AND OPERATION (Continued)

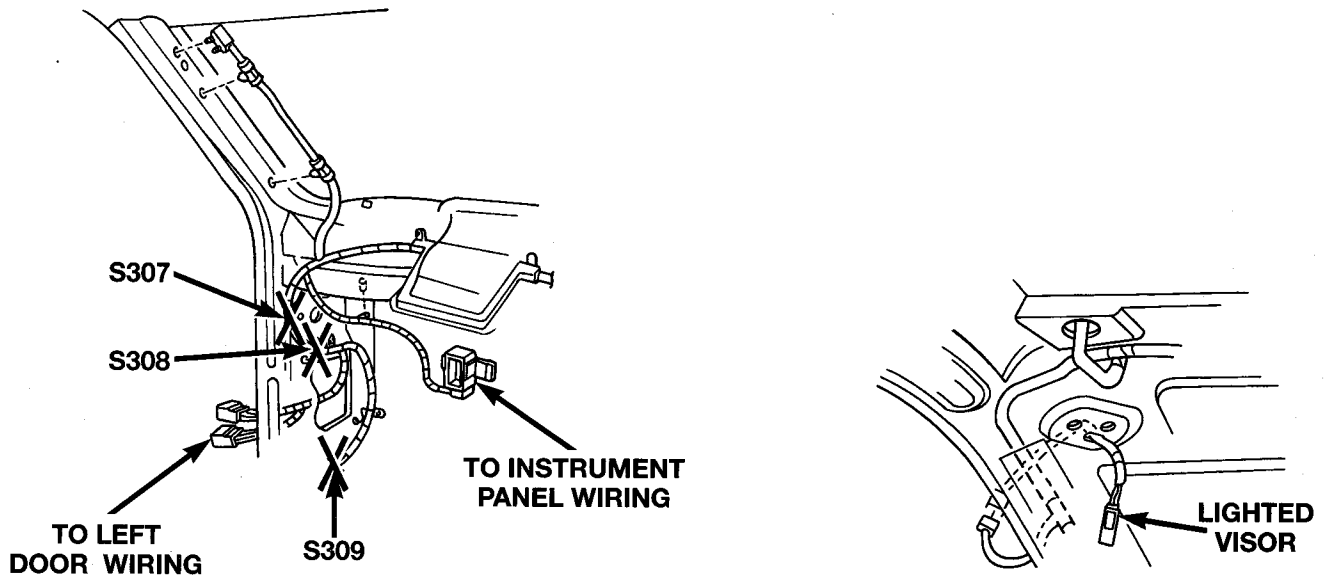


Fig. 11 Left Cowl Panel

80b11cc8

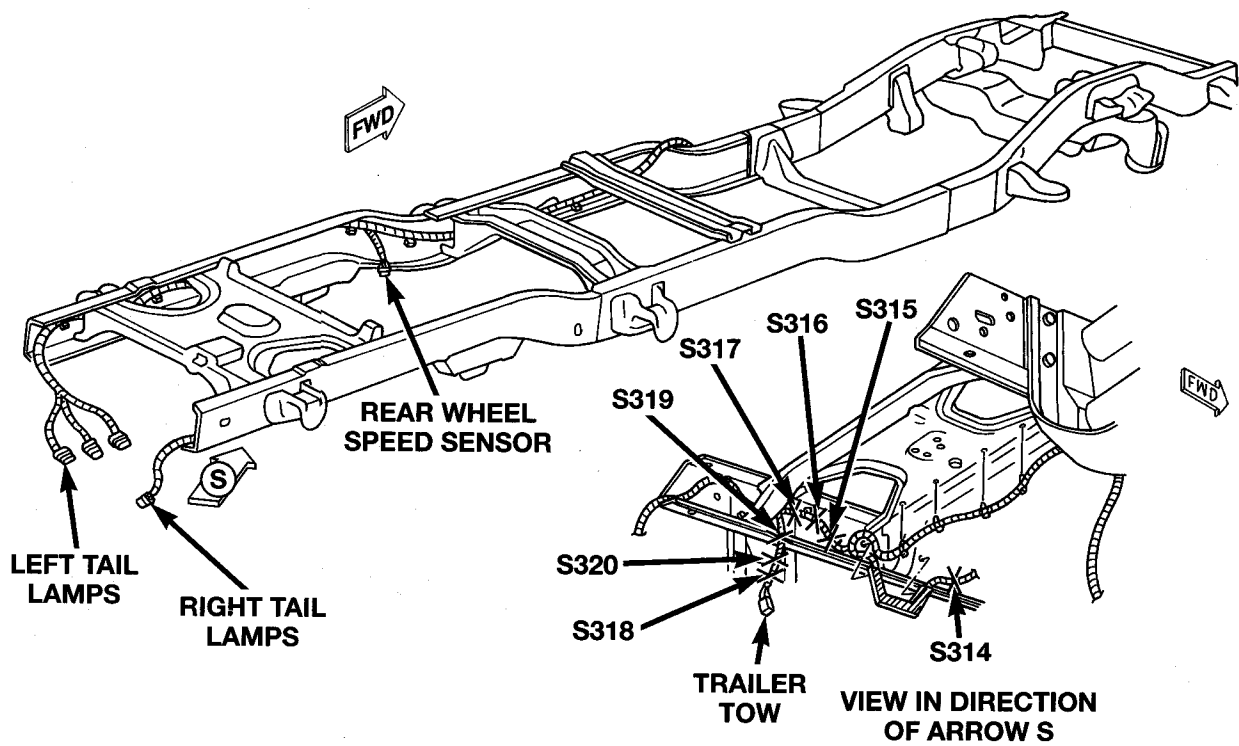
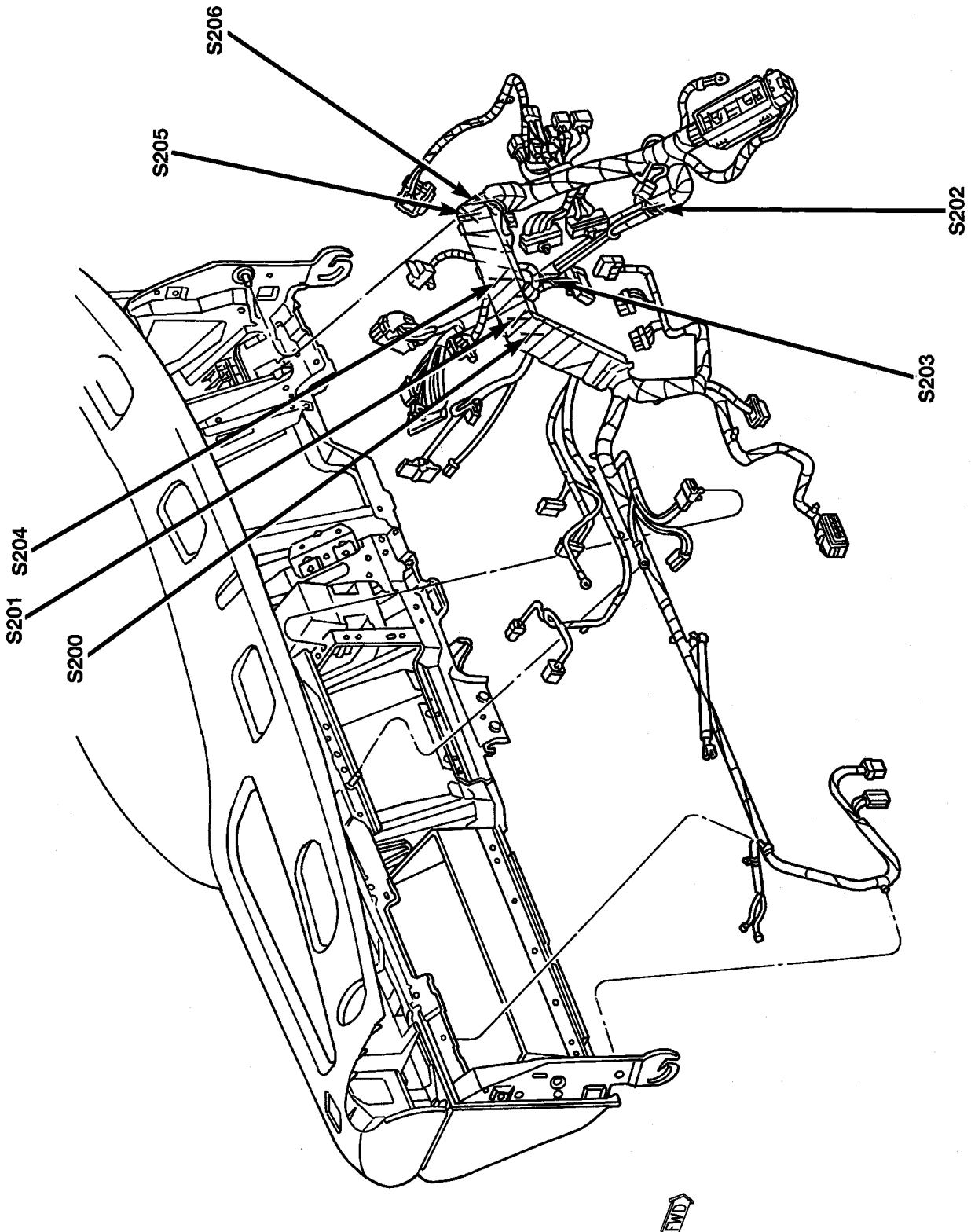


Fig. 12 Chassis

80b11cc9

**DESCRIPTION AND OPERATION (Continued)**

80abfdb4



**Fig. 13 Instrument Panel**

