

8W-02 COMPONENT INDEX

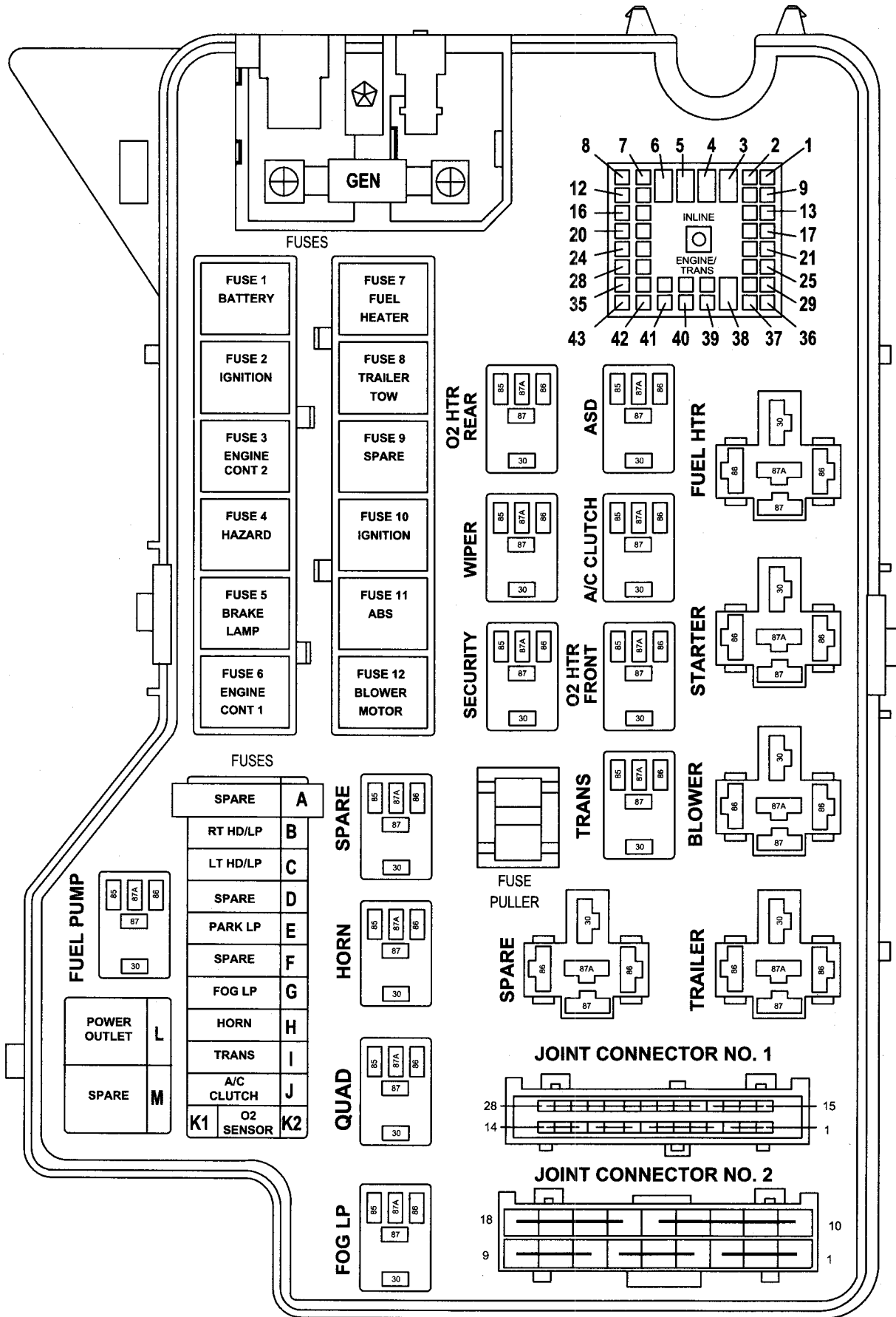
Component	Page	Component	Page
4WD Switch	8W-31	Electric Brake Provision	8W-54
A/C Compressor Clutch Relay	8W-42	Engine Control Module	8W-30
A/C Compressor Clutch	8W-42	Engine Coolant Temperature Sensor	8W-30
A/C- Heater Control	8W-42	Engine Oil Pressure Sensor	8W-30
A/C Heater Temperature Select	8W-42	Engine Starter Motor Relay	8W-21
A/C Pressure Switches	8W-42	Engine Starter Motor	8W-21
Accelerator Pedal Position Sensor	8W-30	Fender Lamps	8W-51
Aftermarket Center High Mounted Stop Lamp	8W-51	Fog Lamp Indicator	8W-50
Aftermarket Trailer Tow Connector	8W-54	Fog Lamp Relay	8W-50
Airbag Control Module	8W-43	Fog Lamps	8W-50
Airbags	8W-43	Fuel Heater Relay	8W-30
Ambient Temperature Sensor	8W-49	Fuel Heater	8W-30
Ash Receiver Lamp	8W-44	Fuel Injection Pump	8W-30
Automatic Shut Down Relay	8W-30	Fuel Injectors	8W-30
Auxiliary Battery	8W-20	Fuel Pump Module	8W-30
Back-Up Lamp Switch	8W-51	Fuel Pump Relay	8W-30
Back-Up Lamps	8W-51	Fuel Transfer Pump	8W-30
Battery Temperature Sensor	8W-30	Fuses (JB)	8W-12
Battery	8W-20	Fuses (PDC)	8W-10
Blend Door Actuator	8W-42	Fusible Link	8W-20, 30
Blower Motor Relay	8W-42	Generator	8W-20
Blower Motor Resistor Block	8W-42	Glove Box Lamp	8W-44
Blower Motor	8W-42	Grounds	8W-15
Brake Lamp Switch	8W-51	Headlamp Beam Select Switch	8W-50
Brake Pressure Switch	8W-34, 35	Headlamp Switch	8W-50
Bypass Jumper	8W-21	Headlamps	8W-50
Camshaft Position Sensor	8W-30	Heated Mirror Relay	8W-62
Capacitor	8W-10	Heated Mirror Switch	8W-62
Cargo Lamps	8W-44	Heated Seat Modules	8W-63
Center High Mounted Stop Lamps	8W-51	Heated Seat Relay	8W-12
Central Timer Module	8W-45	Heated Seat Switches	8W-63
Cigar Lighter	8W-41	Horn Relay	8W-41
Circuit Breakers	8W-12	Horn Switches	8W-41
Clockspring No. 1	8W-33, 41, 45	Horns	8W-41
Clockspring No. 2	8W-33, 47	Identification Lamps	8W-50
Clockspring No. 3	8W-43	Idle Air Control Motor	8W-30
Clutch Pedal Position Switch	8W-21	Ignition Coils	8W-30
Combination Flasher	8W-52	Ignition Switch	8W-10
Controller Anti-Lock Brake	8W-34, 35	Indicators	8W-40
Crankshaft Position Sensor	8W-30	Instrument Cluster	8W-40
Cummins Bus	8W-30	Intake Air Heater Relay	8W-30
Cup Holder Lamp	8W-44	Intake Air Heater	8W-30
Cylinder Lock Switches	8W-39	Intake Air Temperature Sensor	8W-30
Data Link Connector	8W-30	Integrated Electronic Module	8W-45
Day/Night Mirror	8W-49	Intermittent Wiper Switch	8W-53
Daytime Running Lamp Module	8W-50	Joint Connector No. 1	8W-10, 10
Dome Lamp	8W-44	Joint Connector No. 2	8W-10, 15, 30, 53
Door Jamb Switches	8W-45	Joint Connector No. 3	8W-15, 31, 34, 35
Door Lock Motors	8W-45, 61	Joint Connector No. 4	8W-15
Door Window/Lock Switches	8W-60, 61	Joint Connector No. 5	8W-12, 15
Duty Cycle Evap/Purge Solenoid	8W-30	Joint Connector No. 6	8W-10, 12, 15, 45
		Joint Connector No. 7	8W-30

Component	Page	Component	Page
Joint Connector No. 8	8W-12, 15, 40, 44, 45, 47	Quad High Beam Relay	8W-50
Junction Block	8W-12	Radio Choke Relay	8W-47
Key-In Switch	8W-44	Radio	8W-47
Leak Detection Pump	8W-30	Remote Radio Switches	8W-47
License Lamps	8W-51	Seat Belt Switch	8W-40
Lumbar Motors	8W-63	Security Relay	8W-39
Manifold Absolute Pressure Sensor	8W-30	Speakers	8W-47
Map Lamps	8W-49	Speed Control Switches	8W-33
Outboard Clearance Lamps	8W-50	Splice Information	8W-70
Output Speed Sensor	8W-31	Tail/Stop/Turn Signal Lamps	8W-51
Overdrive Switch	8W-31	Tailgate Lamp	8W-51
Overhead Console	8W-49	Throttle Position Sensor	8W-30
Oxygen Sensor Relays	8W-30	Trailer Tow Connector	8W-54
Oxygen Sensors	8W-30	Trailer Tow Relay	8W-54
Park Brake Switch	8W-40, 50	Transmission Control Relay	8W-31
Park/Neutral Position Switch	8W-30, 51	Transmission Solenoid Assembly	8W-31
Park/Turn Signal Lamps	8W-52	Turn Signal/Hazard Switch	8W-52
Passenger Airbag On/Off Switch	8W-43	Underhood Lamp	8W-44
Power Distribution Center	8W-10	Vehicle Speed Control Servo	8W-33
Power Mirror Switch	8W-62	Vehicle Speed Control/Horn Switch	8W-33, 41, 47
Power Mirrors	8W-62	Visor/Vanity Lamps	8W-44, 49
Power Outlet	8W-41	Washer Fluid Level Switch	8W-40
Power Seat Heater Control Module	8W-63	Water In Fuel Sensor	8W-30
Power Seat Motors	8W-63, 63	Wheel Speed Sensors	8W-34, 35
Power Seat Switches	8W-63	Windshield Washer Pump	8W-53
Power Window Motors	8W-60	Wiper Motor Relay	8W-53
Powertrain Control Module	8W-30	Wiper Motor	8W-53
PTO Switch	8W-30		

8W-10 POWER DISTRIBUTION

Component	Page	Component	Page
A/C Compressor Clutch	8W-10-25	Fuse F (PDC)	8W-10-9, 22
A/C Compressor Clutch Relay	8W-10-25	Fuse G (PDC)	8W-10-9, 23
Aftermarket Center High Mounted Stop Lamp	8W-10-13	Fuse Gen (PDC)	8W-10-8, 25
Aftermarket Trailer Tow Connector	8W-10-19	Fuse H (PDC)	8W-10-9, 24
Automatic Shut Down Relay	8W-10-13, 18	Fuse I (PDC)	8W-10-9, 24
Auxiliary Battery	8W-10-8	Fuse J (PDC)	8W-10-9, 25
Battery	8W-10-8	Fuse K (PDC)	8W-10-9, 13
Blower Motor	8W-10-21	Fuse L (PDC)	8W-10-9, 25
Blower Motor Relay	8W-10-21	G201	8W-10-20
Brake Lamp Switch	8W-10-13	Generator	8W-10-25
Capacitor	8W-10-15	Headlamp Beam Select Switch	8W-10-23
Center High Mounted Stop Lamp No. 1	8W-10-13	Headlamp Switch	8W-10-22
Center High Mounted Stop Lamp No. 2	8W-10-13	High Note Horn	8W-10-24
Central Timer Module	8W-10-24	Horn Relay	8W-10-9, 24
Circuit Breaker 2	8W-10-10	Ignition Coil	8W-10-14
Clockspring No. 1	8W-10-24	Ignition Coil 4-Pack	8W-10-15
Combination Flasher	8W-10-13	Ignition Coil 6-Pack	8W-10-15
Controller Anti-Lock Brake	8W-10-21	Ignition Switch	8W-10-10, 20
Daytime Running Lamp Module	8W-10-23	Integrated Electronic Module	8W-10-20
Electric Brake Provision	8W-10-13, 19	Joint Connector No. 1	8W-10-23, 24
Engine Control Module	8W-10-12	Joint Connector No. 2	8W-10-11, 12, 13, 19
Engine Starter Motor	8W-10-22	Joint Connector No. 5	8W-10-20
Engine Starter Motor Relay	8W-10-22	Joint Connector No. 6	8W-10-13, 20, 24
Fog Lamp Relay	8W-10-23	Joint Connector No. 8	8W-10-20
Fuel Heater	8W-10-18	Junction Block	8W-10-10, 13
Fuel Heater Relay	8W-10-18	Left Fog Lamp	8W-10-23
Fuel Injection Pump	8W-10-12	Left Headlamp	8W-10-22
Fuel Injector No. 1	8W-10-14, 15	Left Outboard Headlamp	8W-10-22, 23
Fuel Injector No. 2	8W-10-14, 15	Low Note Horn	8W-10-24
Fuel Injector No. 3	8W-10-14, 15	Oxygen Sensor 1/1 Left Bank Up	8W-10-16, 17
Fuel Injector No. 4	8W-10-14, 15	Oxygen Sensor 1/1 Upstream	8W-10-16
Fuel Injector No. 5	8W-10-14, 15	Oxygen Sensor 1/2 Downstream	8W-10-16
Fuel Injector No. 6	8W-10-14, 15	Oxygen Sensor 1/2 Left Bank Down	8W-10-17
Fuel Injector No. 7	8W-10-14, 15	Oxygen Sensor 1/2 Pre- Catalyst	8W-10-16
Fuel Injector No. 8	8W-10-14, 15	Oxygen Sensor 1/3 Post- Catalyst	8W-10-16
Fuel Injector No. 9	8W-10-15	Oxygen Sensor 2/1 Right Bank Up	8W-10-16, 17
Fuel Injector No. 10	8W-10-15	Oxygen Sensor 2/2 Right Bank Down	8W-10-17
Fuel Pump Module	8W-10-11	Oxygen Sensor Downstream Relay	8W-10-17
Fuel Pump Relay	8W-10-11, 12	Oxygen Sensor Upstream Relay	8W-10-17
Fuse 1 (JB)	8W-10-10	Power Distribution Center	8W-10-2, 8, 9, 10, 11, 12, 13, 18, 19, 20, 21, 22, 23, 24, 25
Fuse 1 (PDC)	8W-10-8, 10	Power Outlet	8W-10-25
Fuse 2 (PDC)	8W-10-8, 10, 20	Powertrain Control Module	8W-10-11, 12, 14, 15, 18
Fuse 3 (PDC)	8W-10-8, 11, 12	Quad High Beam Relay	8W-10-22
Fuse 4 (JB)	8W-10-10	Right Fog Lamp	8W-10-23
Fuse 4 (PDC)	8W-10-8, 13	Right Headlamp	8W-10-22
Fuse 5 (PDC)	8W-10-8, 13	Right Outboard Headlamp	8W-10-22, 23
Fuse 6 (PDC)	8W-10-8, 13, 18	Security Relay	8W-10-23
Fuse 7 (PDC)	8W-10-8, 18	Trailer Tow Connector	8W-10-19
Fuse 8 (PDC)	8W-10-8, 19	Trailer Tow Relay	8W-10-19
Fuse 10 (PDC)	8W-10-8, 20	Transmission Control Relay	8W-10-24
Fuse 11 (PDC)	8W-10-8, 21	Transmission Solenoid Assembly	8W-10-24
Fuse 12 (JB)	8W-10-10	Turn Signal/Hazard Switch	8W-10-13
Fuse 12 (PDC)	8W-10-8, 21		
Fuse 13 (JB)	8W-10-10		
Fuse 14 (JB)	8W-10-10		
Fuse B (PDC)	8W-10-9, 22		
Fuse C (PDC)	8W-10-9, 22		
Fuse D (PDC)	8W-10-9, 22		
Fuse E (PDC)	8W-10-9, 22		

POWER DISTRIBUTION CENTER



FUSES

FUSE NO.	AMPS	FUSED CIRCUIT	FUNCTION
1	50	A7 10RD/BK	FUSED B(+)
2	30	A2 14PK/BK	FUSED B(+)
3	20	A14 16RD/WT	FUSED B(+)
4	20	L9 16BK/VT	FUSED B(+)
5	20	F32 16PK/DB	FUSED B(+)
6	30	A16 14RD/LB	FUSED B(+)
7	40	A112 12RD/TN	FUSED B(+)
8	40	A6 12RD/OR	FUSED B(+)
9	-	-	-
10	50	A1 10RD	FUSED B(+)
11	40	A10 10RD/DG	FUSED B(+)
12	40	C111 12DG/YL	FUSED B(+)
A	-	-	-
B	15	L44 18VT/RD	FUSED B(+)
C	15	L43 18VT	FUSED B(+)
D	20	F45 18YL	FUSED B(+)
E	15	L45 18PK/RD	FUSED B(+)
F	15	F33 16PK/RD	FUSED B(+)
G	20	L34 20RD/OR	FUSED B(+)
H	20	INTERNAL	FUSED B(+)
I	20	T17 18YL	FUSED B(+)
J	10	C26 22PK/DB	FUSED B(+)
K	15	A141 20DG/WT	AUTOMATIC SHUT DOWN RELAY OUTPUT
L	20	A12 16RD/TN	FUSED B(+)
GEN	140	A11 4BK/GY ■	FUSED B(+)
		A11 4BK ■■	FUSED B(+)

- EXCEPT BASE
- TRAILER TOW
- ▲▲ QUAD HEADLAMPS
- GAS
- DIESEL

RELAYS

A/C
COMPRESSOR
CLUTCH
RELAY

CAVITY	CIRCUIT	FUNCTION
30	C26 22PK/DB	FUSED B(+)
85	C13 22DB/OR	A/C COMPRESSOR CLUTCH RELAY CONTROL
86	F12 20DB/WT	FUSED IGNITION SWITCH OUTPUT (ST-RUN)
87	C3 22DB/BK	A/C COMPRESSOR CLUTCH RELAY OUTPUT
87A	-	-

AUTOMATIC
SHUT
DOWN
RELAY

CAVITY	CIRCUIT	FUNCTION
30	A16 14RD/LB	FUSED B(+)
85	K51 20DB/YL	AUTOMATIC SHUT DOWN RELAY CONTROL
86	F18 20LG/BK	FUSED IGNITION SWITCH OUTPUT (ST-RUN)
87	A142 14DG/OR	AUTOMATIC SHUT DOWN RELAY OUTPUT
87A	-	-

BLOWER
MOTOR
RELAY

CAVITY	CIRCUIT	FUNCTION
30	C111 12DG/YL	FUSED B(+)
85	Z1 22BK	GROUND
86	F15 22DB	FUSED IGNITION SWITCH OUTPUT (RUN)
87	C1 12DG	BLOWER MOTOR FEED
87A	-	-

ENGINE
STARTER
MOTOR
RELAY

CAVITY	CIRCUIT	FUNCTION
30	F45 18YL	FUSED B(+) ENGINE STARTER MOTOR RELAY
85	T41 22BK/WT	PARK/NEUTRAL POSITION SWITCH SENSE
86	T141 14YL/RD	FUSED IGNITION SWITCH OUTPUT (ST)
87	T40 14BR	STARTER RELAY OUTPUT
87A	-	-

FOG
LAMP
RELAY

CAVITY	CIRCUIT	FUNCTION
30	L39 20LB	FOG LAMP SWITCH OUTPUT
85	L35 20BR/YL ■ ■	FOG LAMP SWITCH OUTPUT
85	L139 20VT ■	
86	L34 20RD/OR ■	FUSED B(+)
86	L3 18RD/OR ■ ■	BEAM SELECT SWITCH HIGH BEAM OUTPUT
87	L35 20BR/YL ■ ■	FOG LAMP SWITCH OUTPUT
87A	L35 22BR/YL ■	FOG LAMP SWITCH OUTPUT

FUEL
HEATER
RELAY
(DIESEL)

CAVITY	CIRCUIT	FUNCTION
30	A112 12RD/TN	FUSED B(+)
85	Z1 22BK	GROUND
86	F12 20DB/WT	FUSED IGNITION SWITCH OUTPUT (ST-RUN)
87	A93 12RD/BK	FUEL HEATER RELAY OUTPUT
87A	-	-

FUEL
PUMP
RELAY

CAVITY	CIRCUIT	FUNCTION
30	A14 16RD/WT	FUSED B (+)
85	K31 20BR/WT •	FUEL PUMP RELAY CONTROL
85	Z1 20BK ••	GROUND
86	F18 20LG/BK •	FUSED IGNITION SWITCH OUTPUT (ST-RUN)
86	K131 20BR/WT ••	FUEL INJECTION PUMP RELAY CONTROL
87	A40 14RD/LG ••	FUEL PUMP RELAY OUTPUT
87	A61 16DG/BK •	FUEL PUMP RELAY OUTPUT
87A	-	-

HORN
RELAY

CAVITY	CIRCUIT	FUNCTION
30	INTERNAL	FUSED B(+)
85	X3 22BK/RD	HORN RELAY CONTROL
86	INTERNAL	FUSED B(+)
87	X2 18DG/RD	HORN RELAY OUTPUT
87A	-	-

- GAS
- DIESEL
- DRL
- ■ EXCEPT DRL

**OXYGEN
SENSOR
DOWNSTREAM
RELAY
(CALIFORNIA)**

CAVITY	CIRCUIT	FUNCTION
30	A141 20DG/WT	AUTOMATIC SHUT DOWN RELAY OUTPUT
85	K145 20DG/PK	OXYGEN SENSOR DOWNSTREAM RELAY CONTROL
86	F18 20LG/BK	FUSED IGNITION SWITCH OUTPUT (ST-RUN)
87	A341 20DG/YL	OXYGEN SENSOR DOWNSTREAM RELAY OUTPUT

**OXYGEN
SENSOR
UPSTREAM
RELAY
(CALIFORNIA)**

CAVITY	CIRCUIT	FUNCTION
30	A141 20DG/WT	AUTOMATIC SHUT DOWN RELAY OUTPUT
85	K143 20PK/VT	OXYGEN SENSOR UPSTREAM RELAY CONTROL
86	F18 20LG/BK	FUSED IGNITION SWITCH OUTPUT (ST-RUN)
87	A243 20YL/VT	OXYGEN SENSOR UPSTREAM RELAY OUTPUT

**QUAD
HIGH BEAM
RELAY**

CAVITY	CIRCUIT	FUNCTION
30	L33 18LG/BR	QUAD HIGH BEAM RELAY OUTPUT
85	L3 18RD/OR ••	BEAM SELECT SWITCH HIGH BEAM OUTPUT
85	G34 20RD/GY •	HIGH BEAM INDICATOR DRIVER
86	L45 18PK/RD	FUSED B(+)
87	Z1 16BK	GROUND

- DRL
- EXCEPT DRL

SECURITY
RELAY

CAVITY	CIRCUIT	FUNCTION
30	Z1 16BK	GROUND
85	G50 22RD/DB	HEADLAMP RELAY CONTROL
86	L34 20RD/OR	FUSED B(+)
87	L4 20VT/WT	BEAM SELECT SWITCH LOW BEAM OUTPUT
87A	-	-

TRAILER
TOW
RELAY

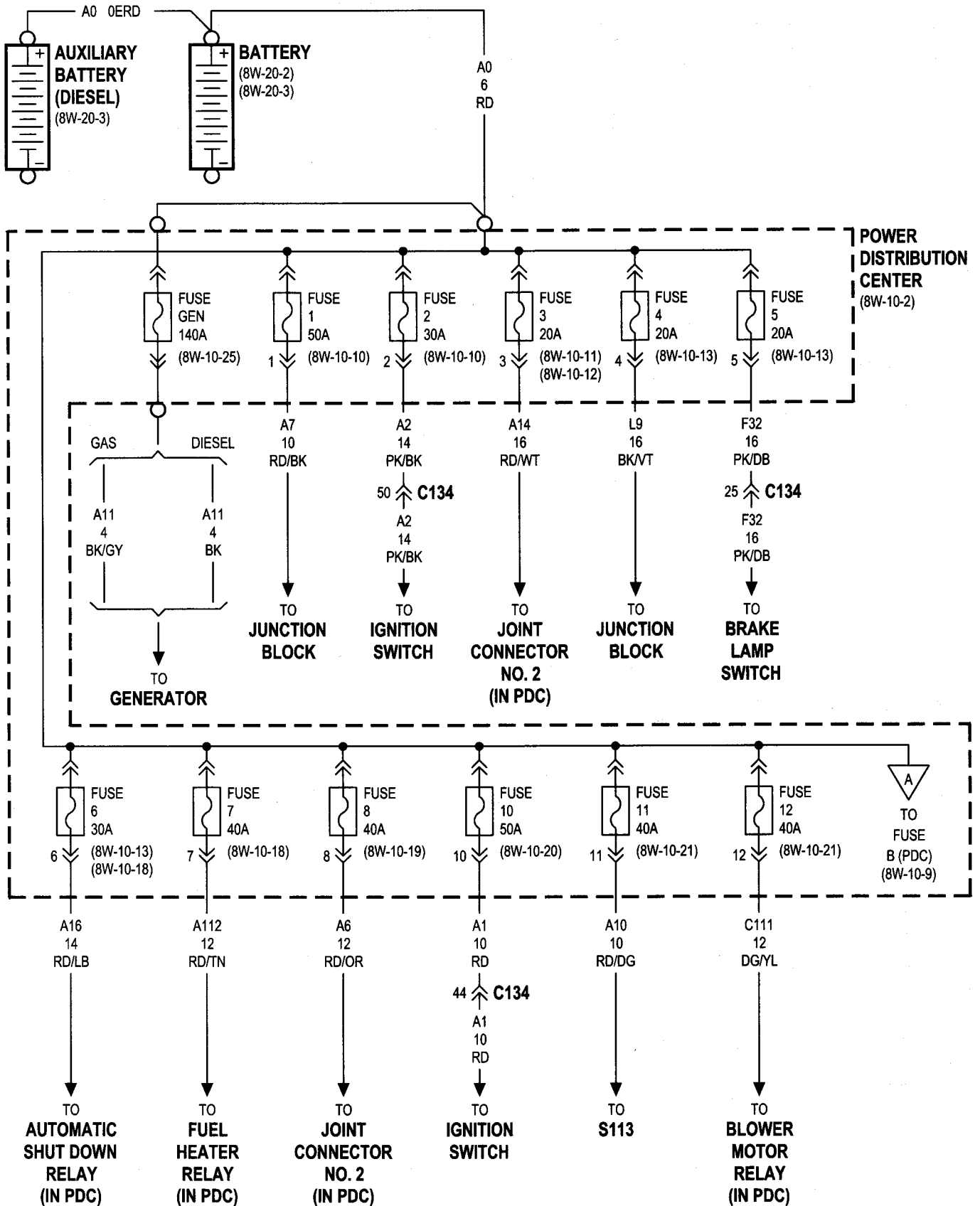
CAVITY	CIRCUIT	FUNCTION
30	A6 12RD/OR	FUSED B(+)
85	Z1 22BK	GROUND
86	L7 18BK/YL	PARK LAMP RELAY OUTPUT
87	L76 12BK/OR	TRAILER TOW RELAY OUTPUT
87A	-	-

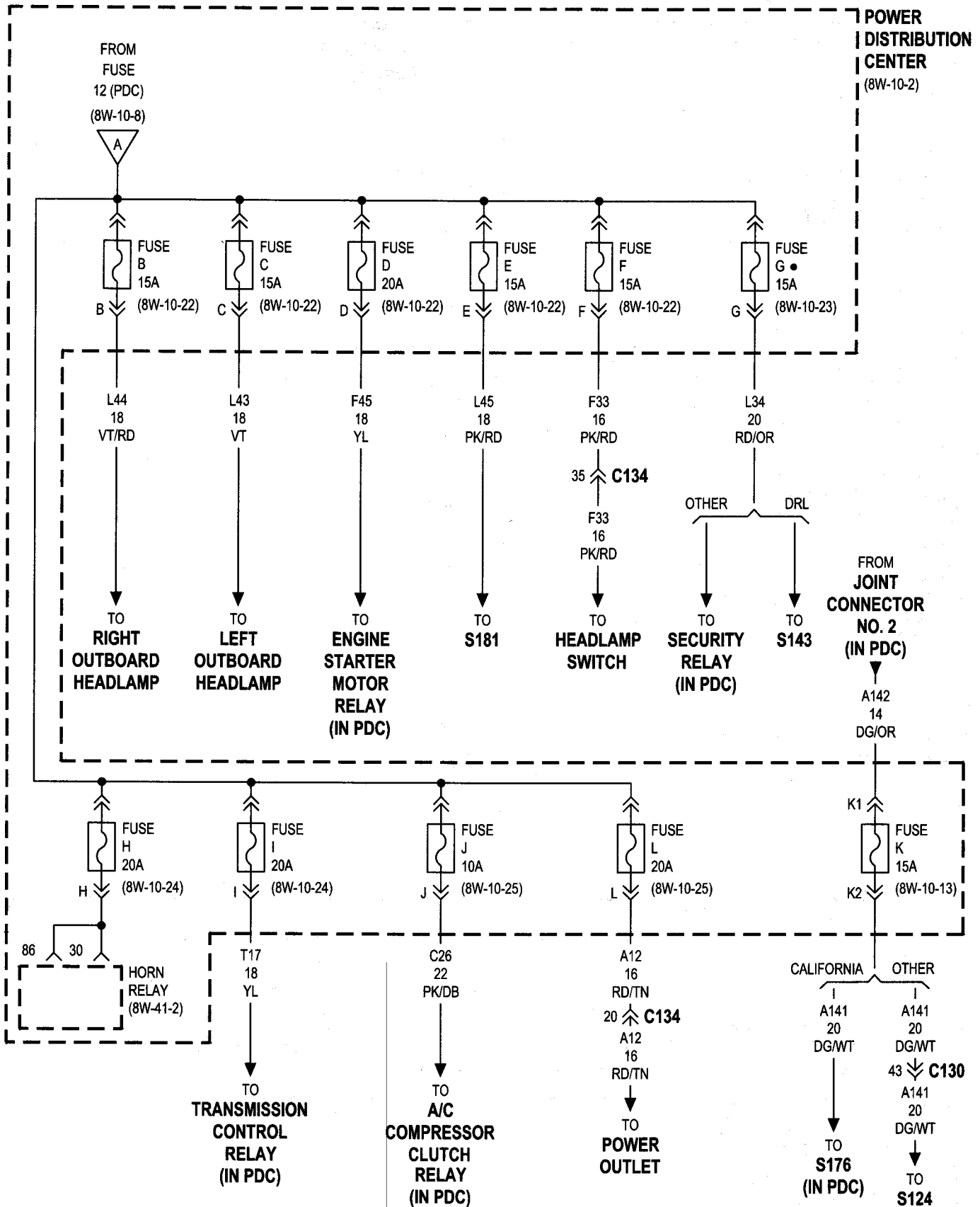
TRANSMISSION
CONTROL
RELAY

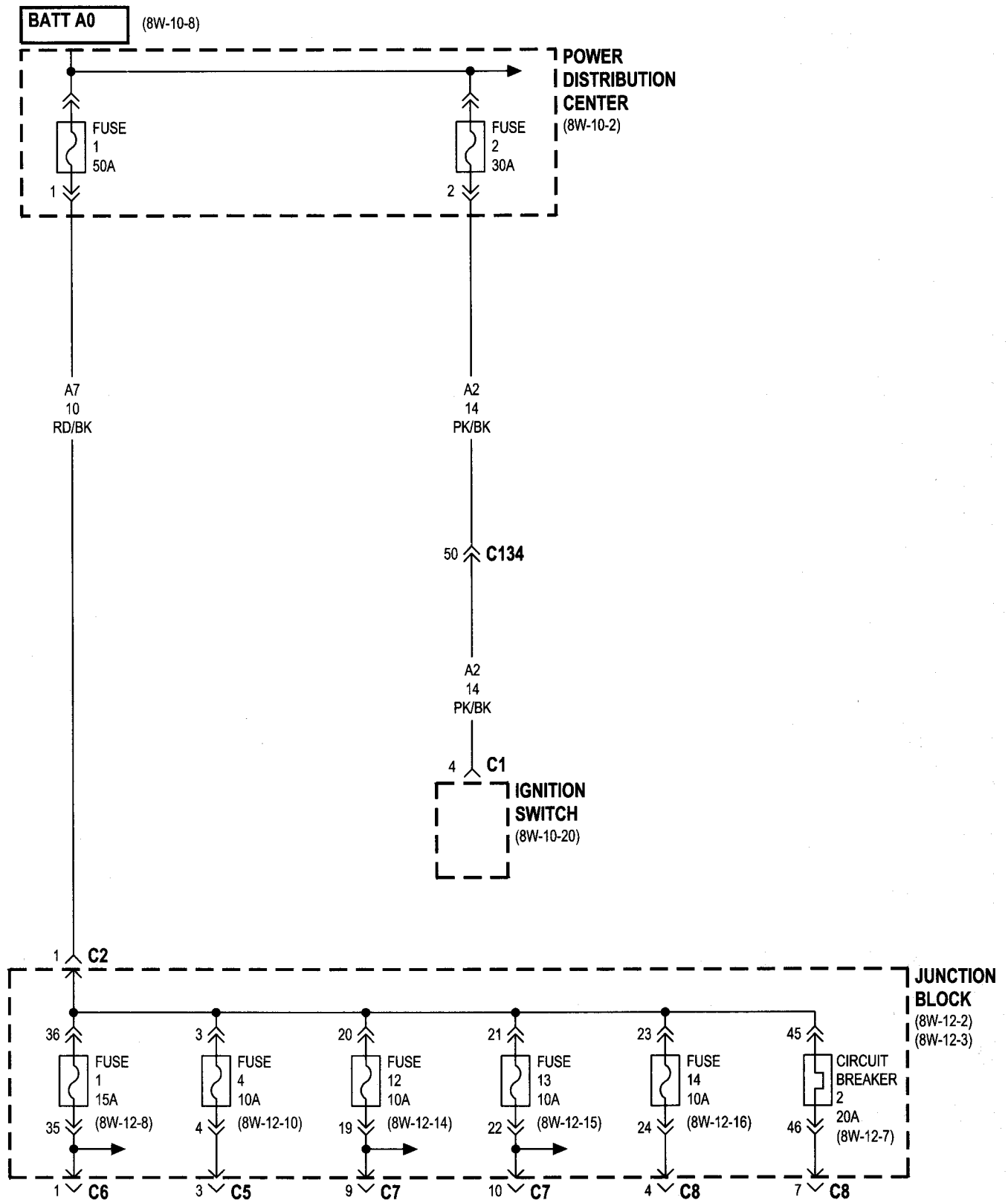
CAVITY	CIRCUIT	FUNCTION
30	T17 18YL	FUSED B(+)
85	K30 22PK	TRANSMISSION CONTROL RELAY CONTROL
86	T125 18DB	GENERATOR SOURCE
87	T16 22RD	TRANSMISSION CONTROL RELAY OUTPUT
87A	-	-

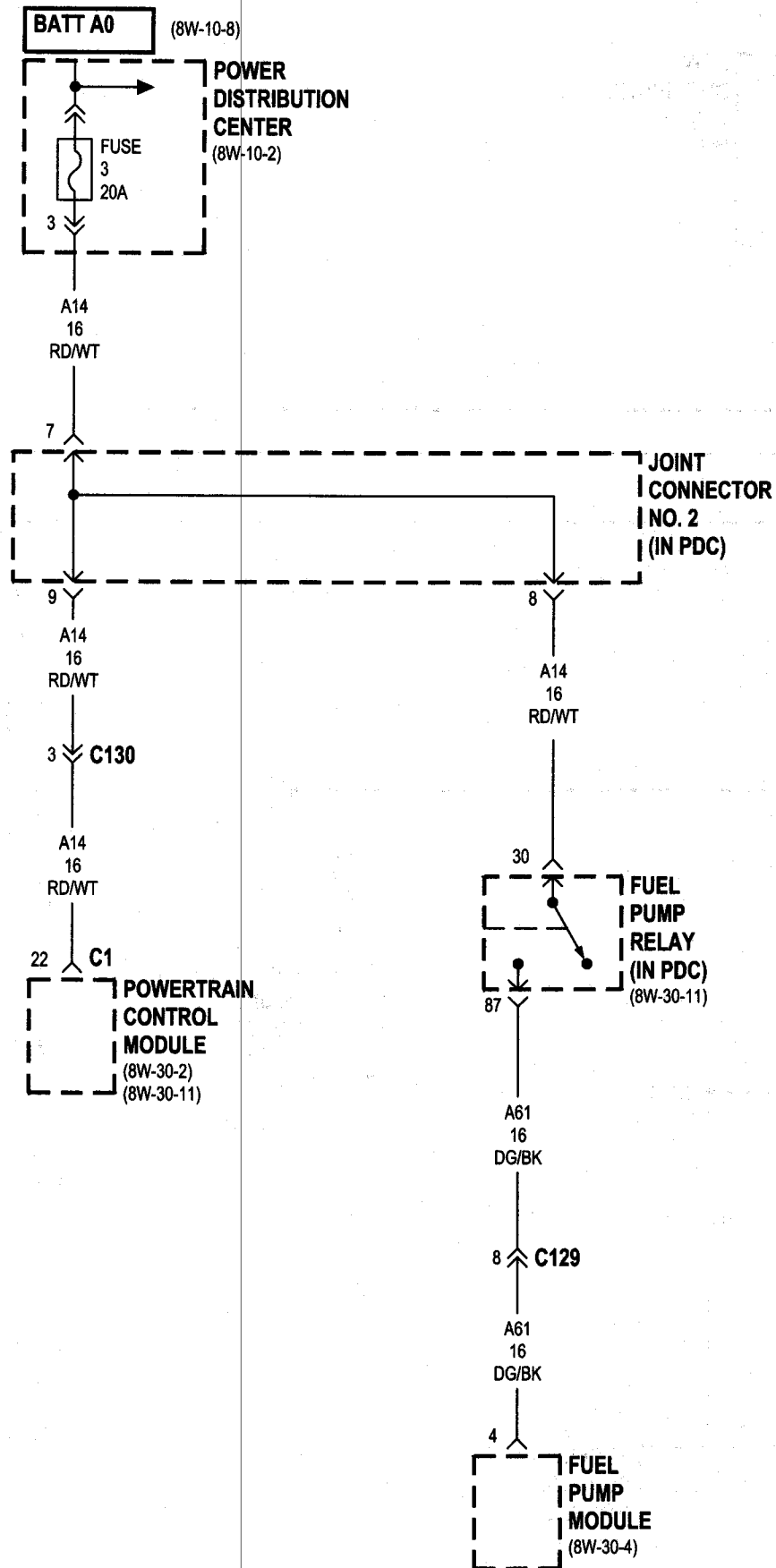
WIPER
MOTOR
RELAY

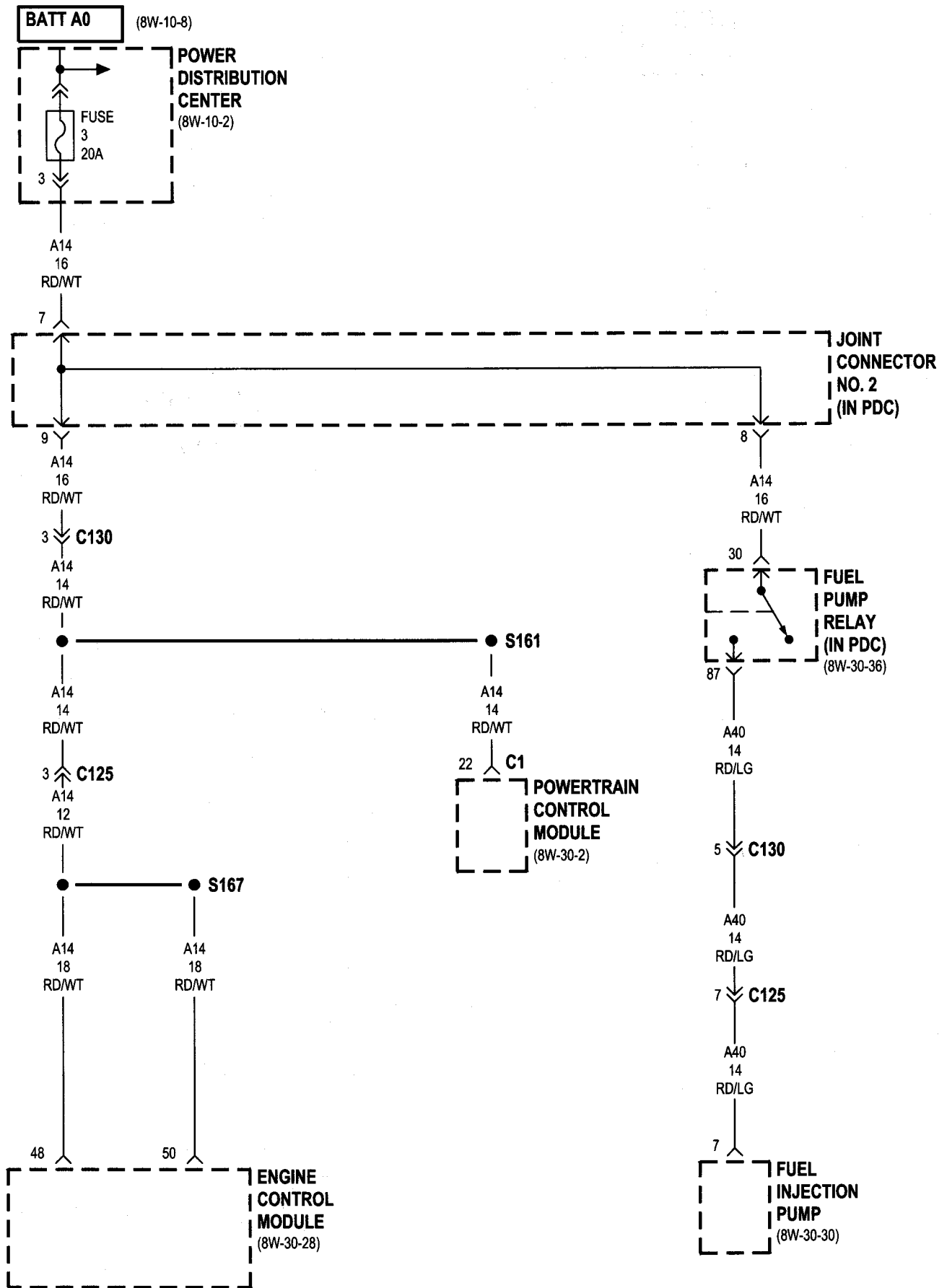
CAVITY	CIRCUIT	FUNCTION
30	V49 16RD/BK	DRIVER LOW SPEED WIPER MOTOR DRIVER
85	V18 22YL/DG	WIPER MOTOR RELAY CONTROL
86	V6 16DB	FUSED IGNITION SWITCH OUTPUT (RUN-ACC)
87	V6 16DB	FUSED IGNITION SWITCH OUTPUT (RUN-ACC)
87A	V5 16DG	WIPER PARK SWITCH SENSE

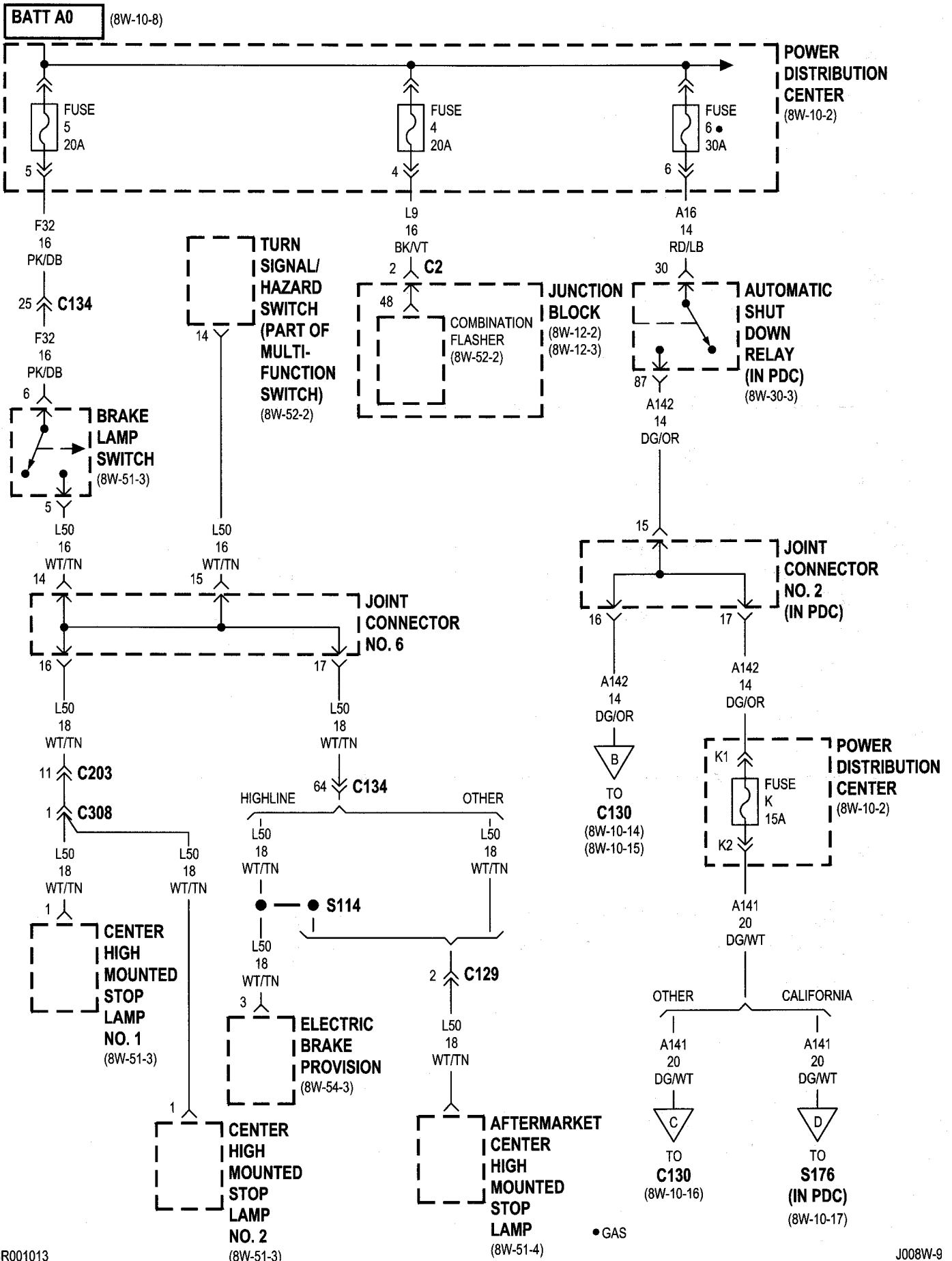


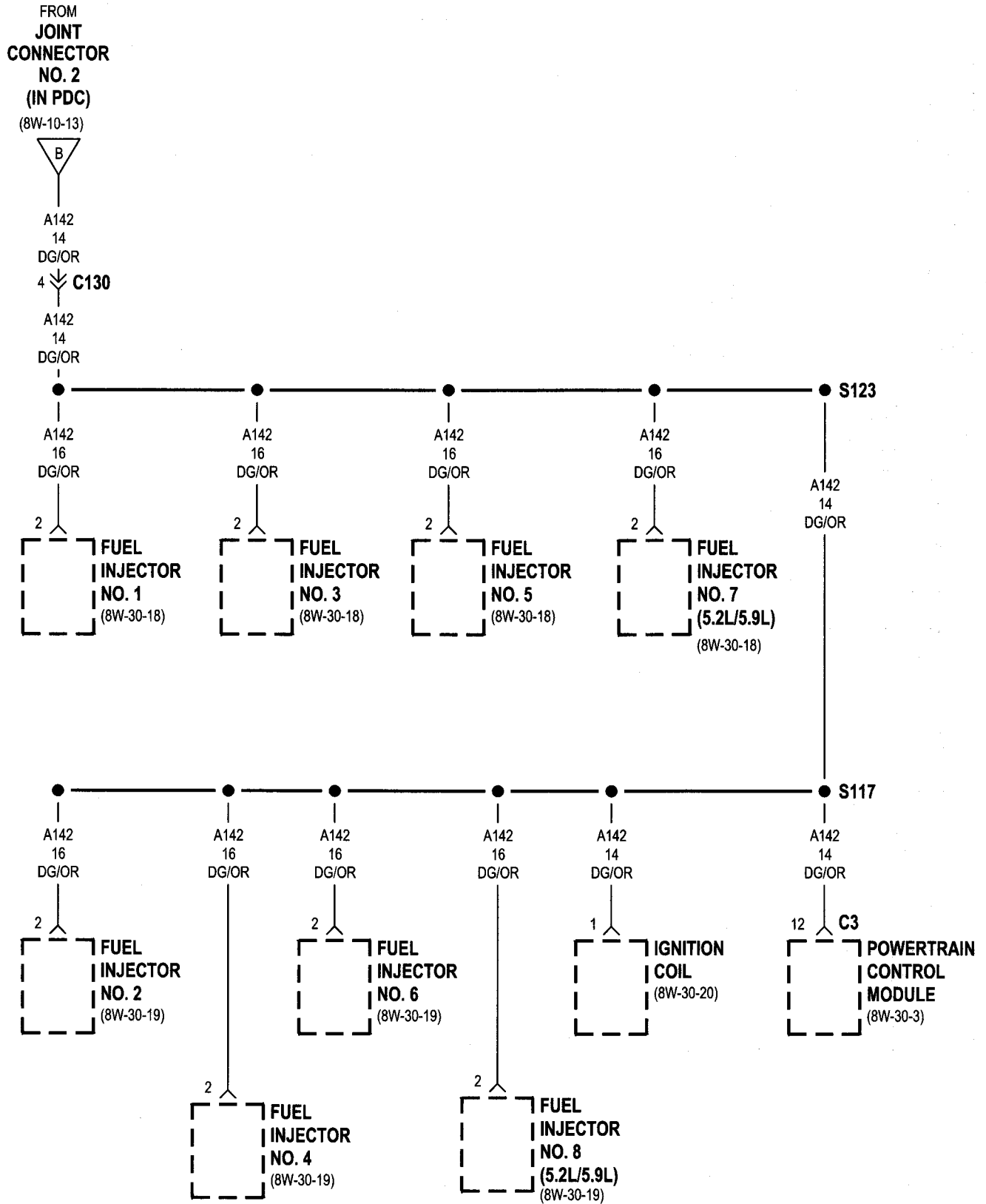




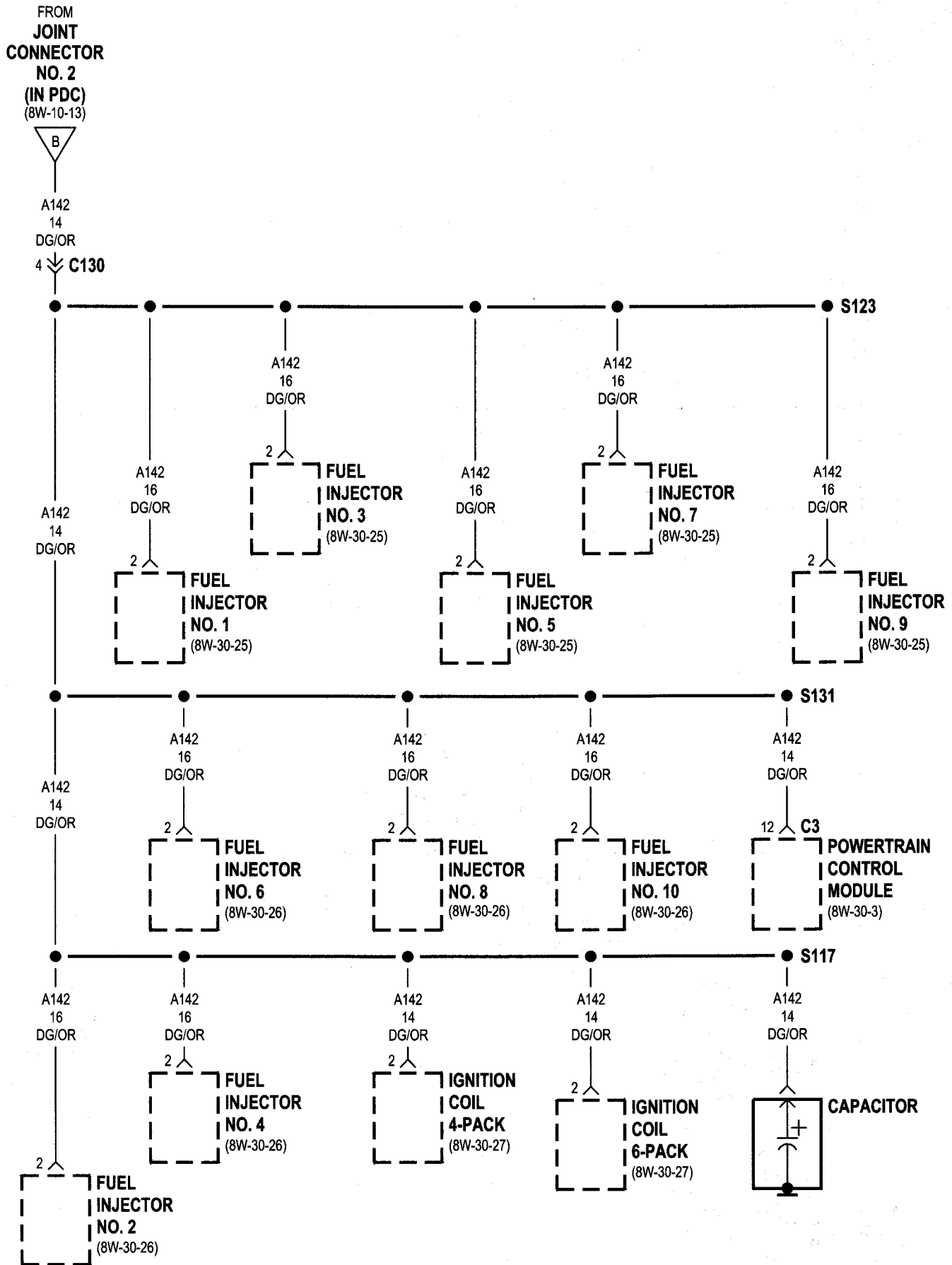


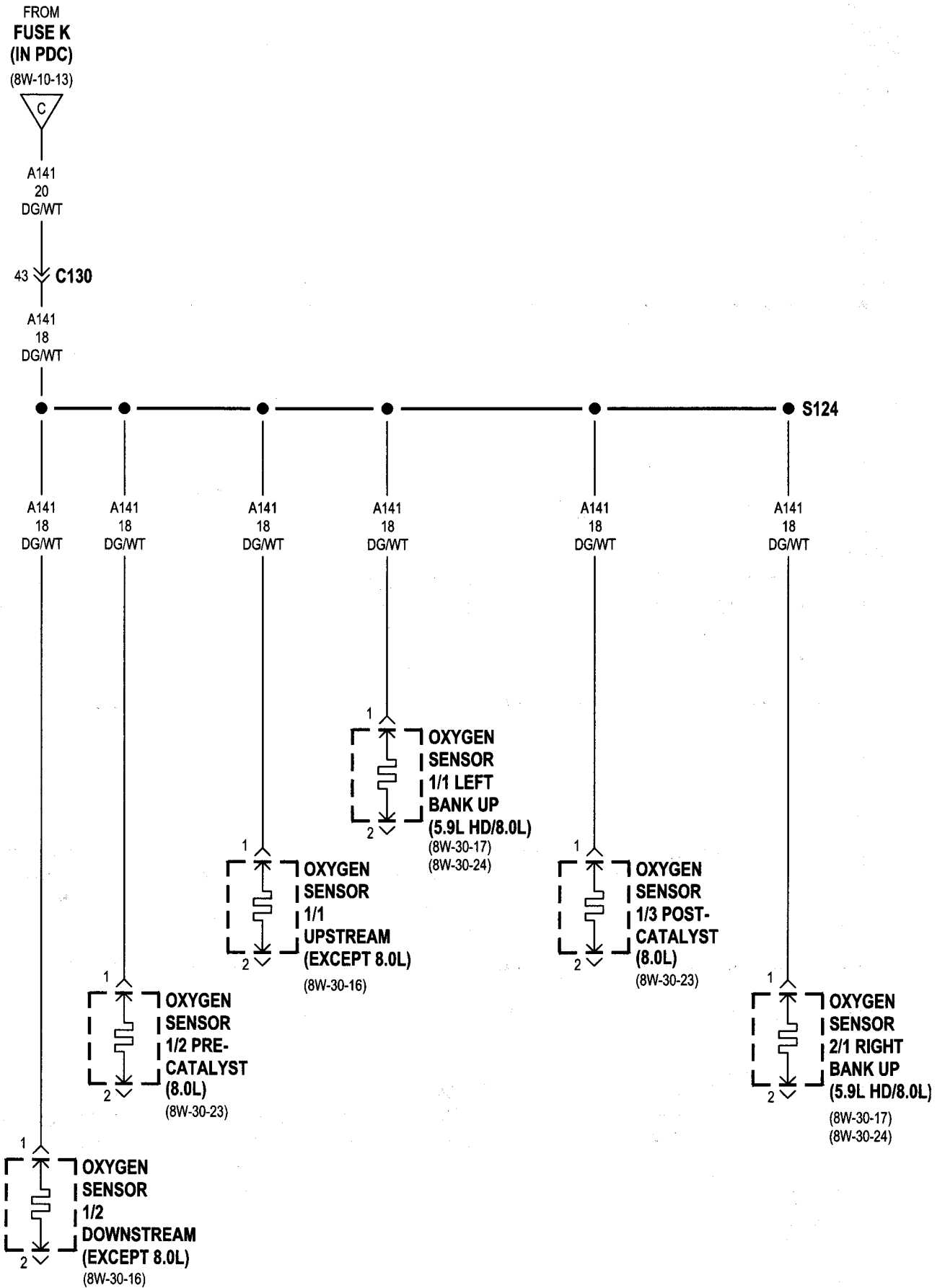


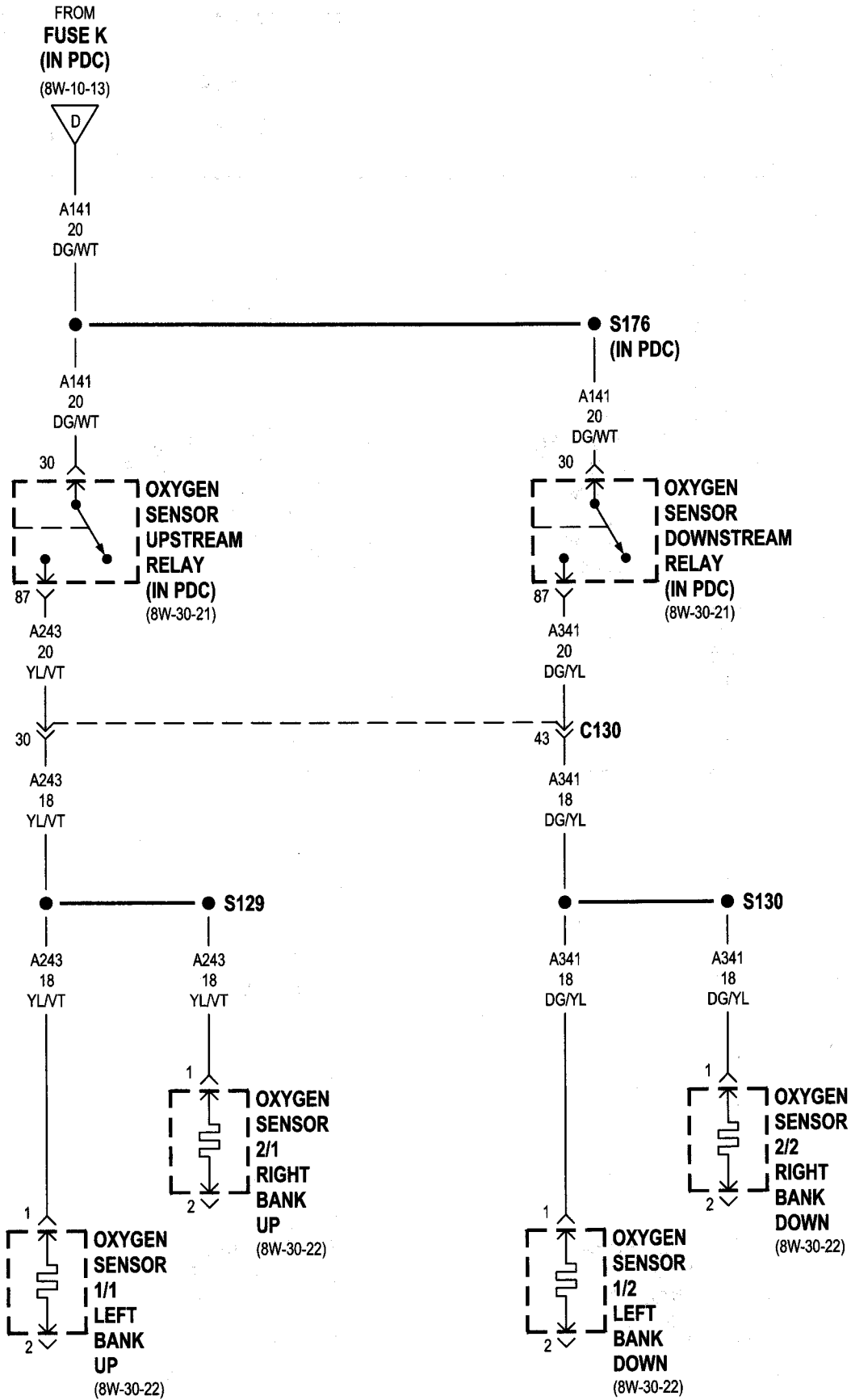


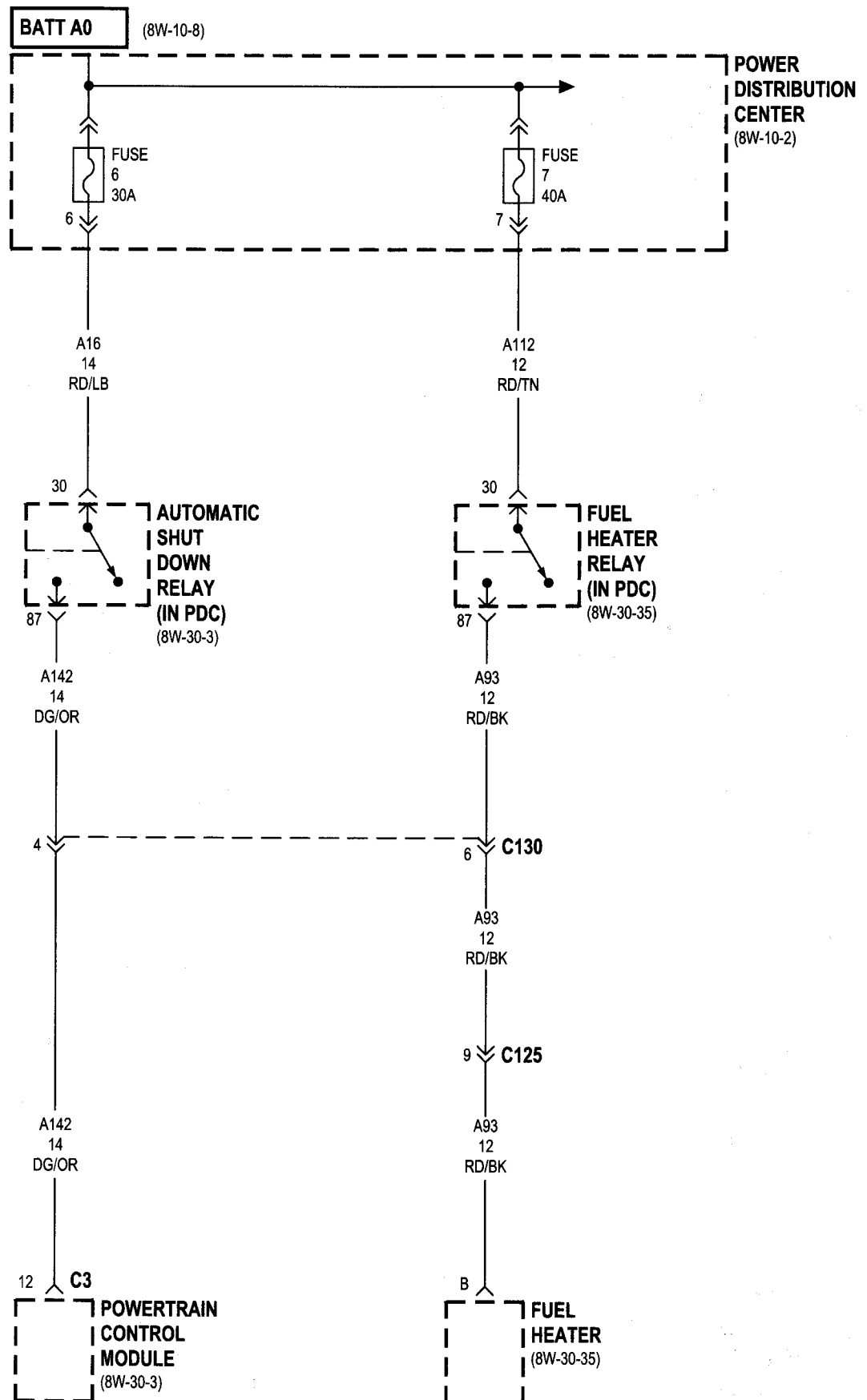


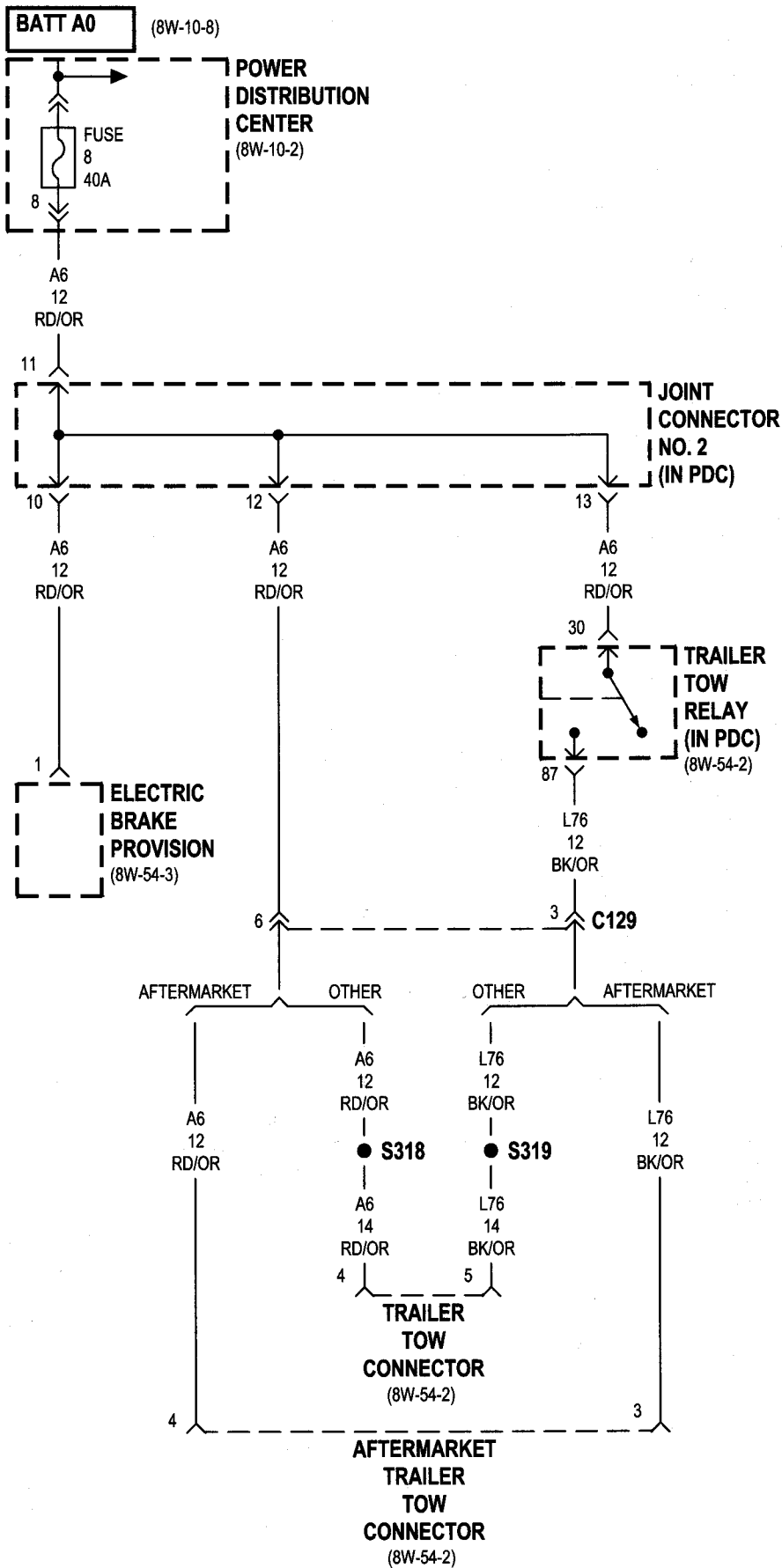
8.0L

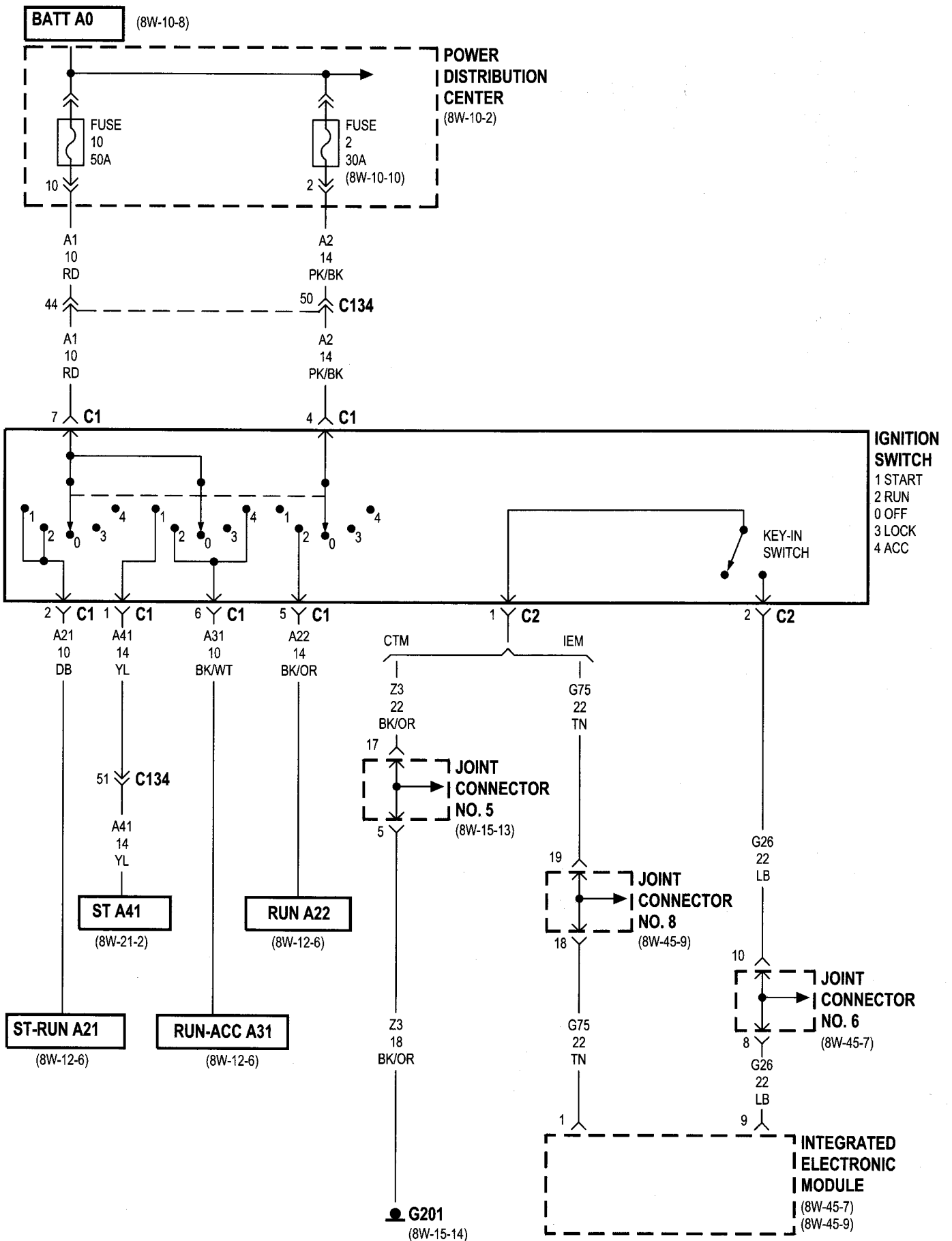


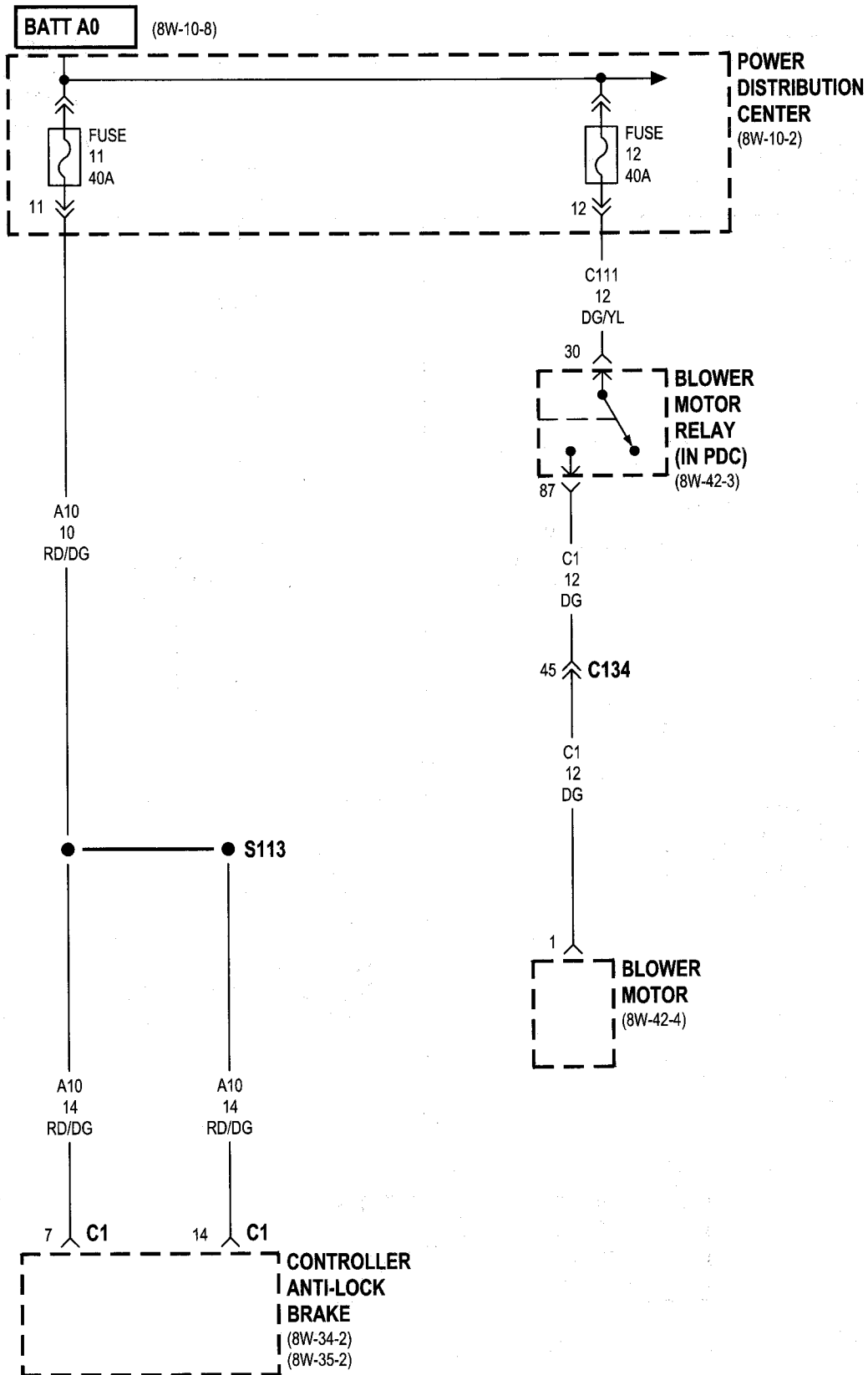


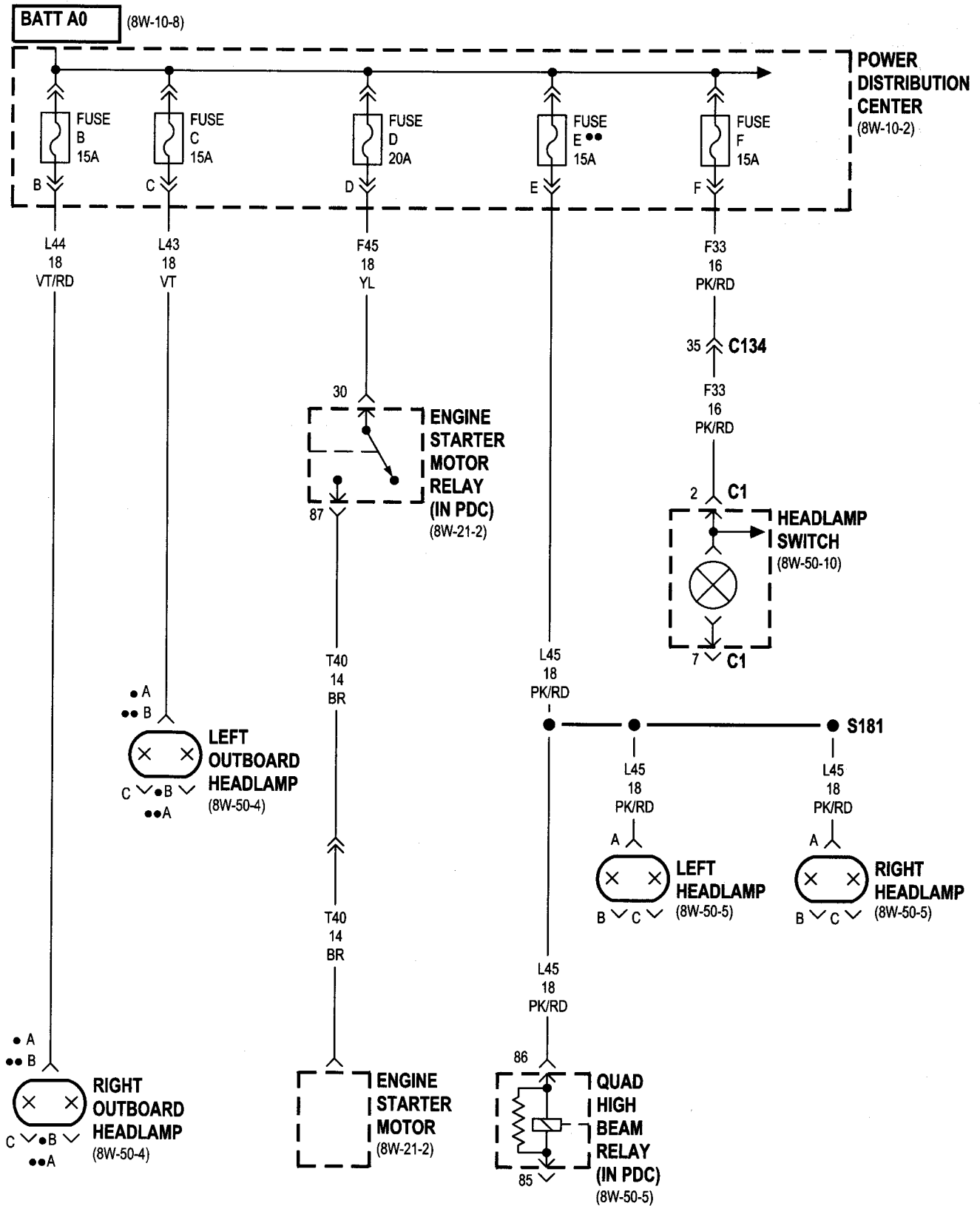




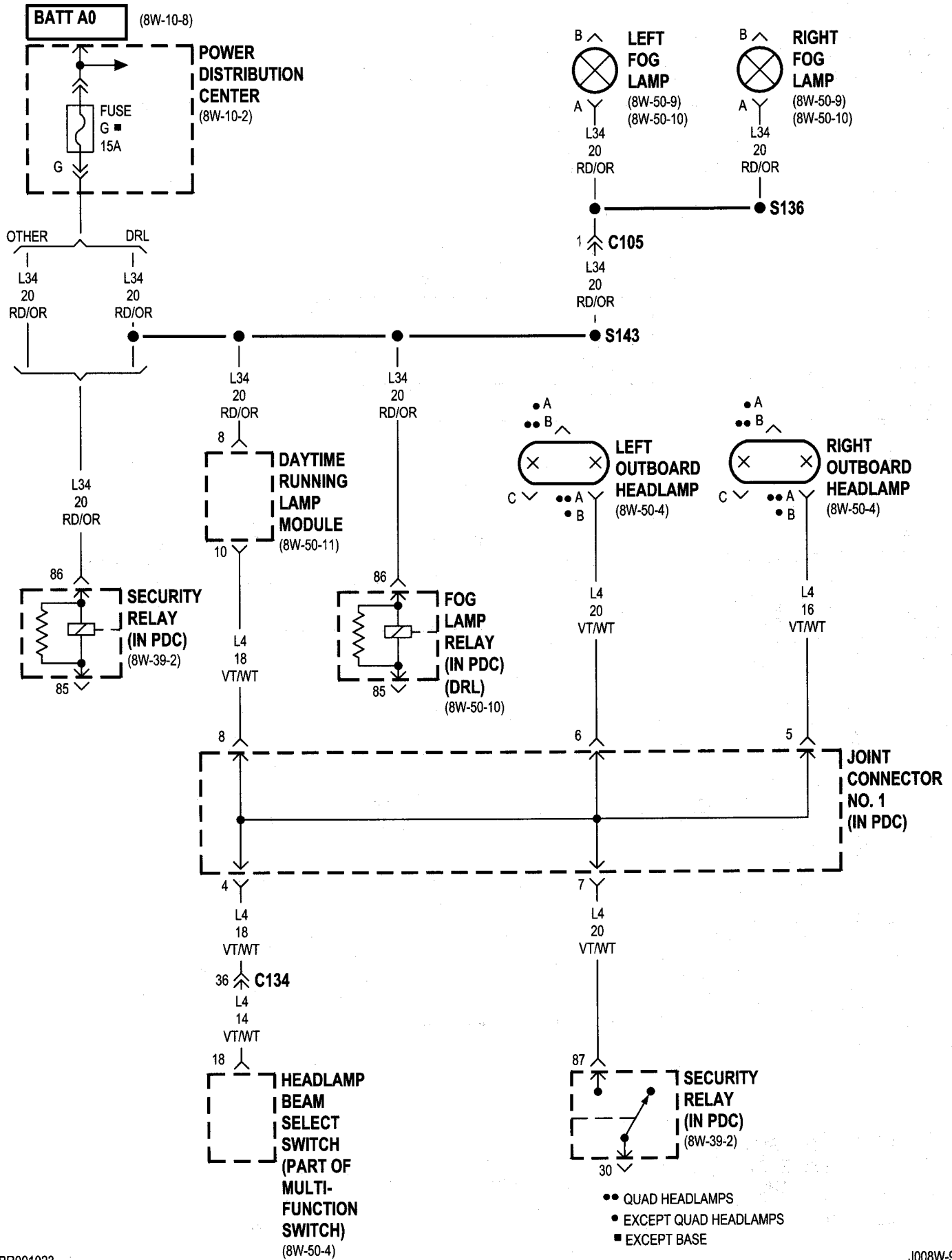


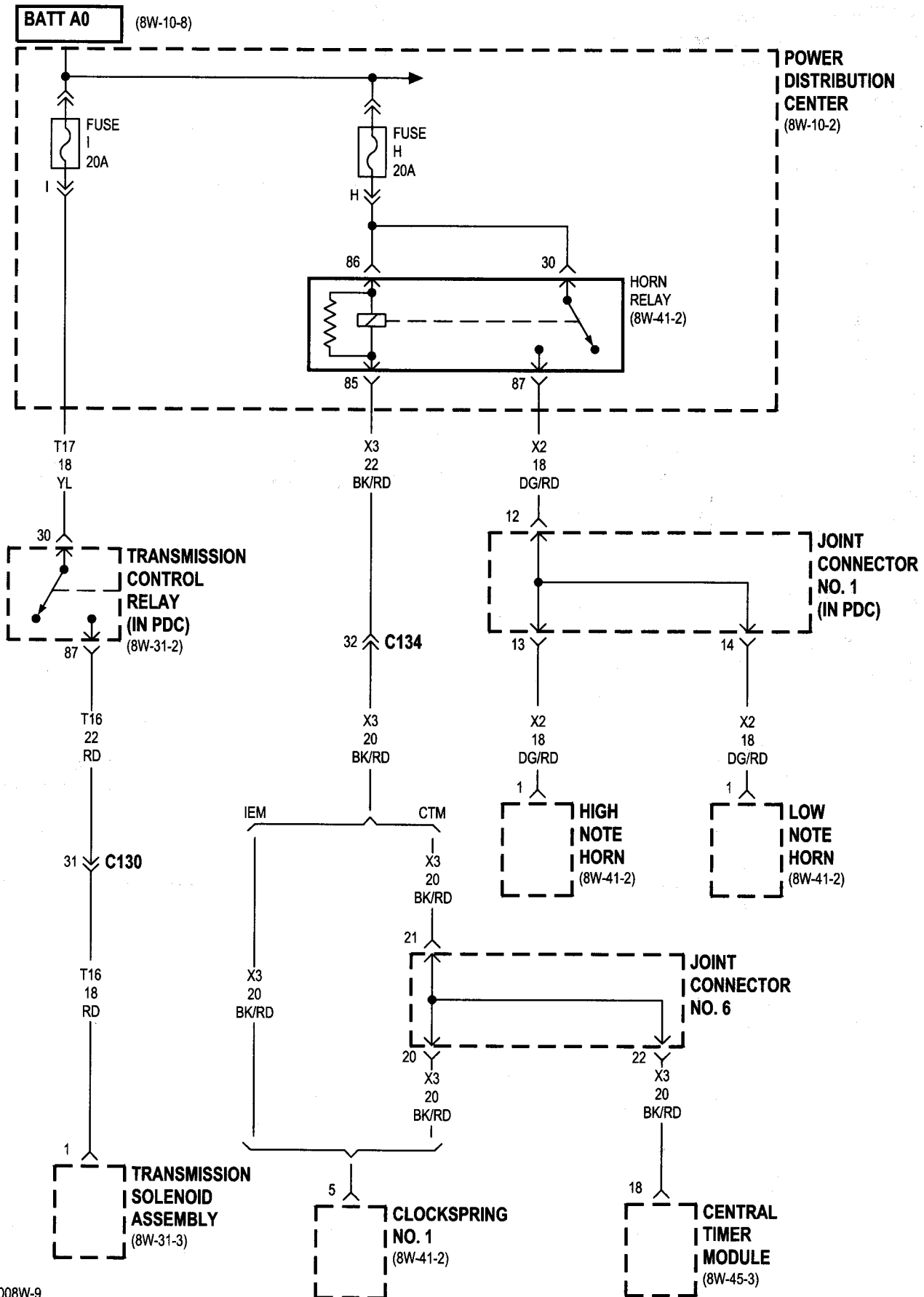


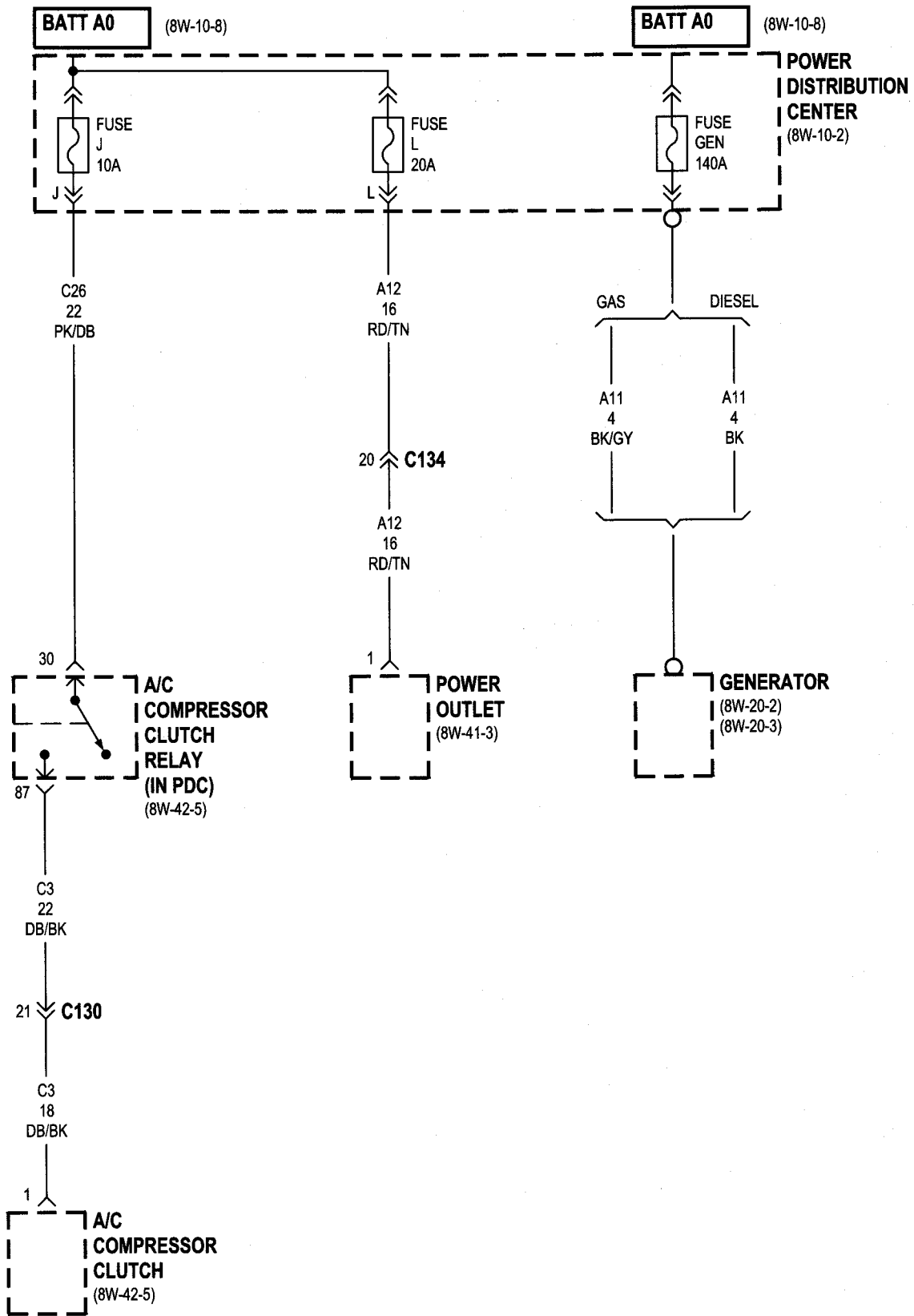




- EXCEPT QUAD HEADLAMPS
- QUAD HEADLAMPS





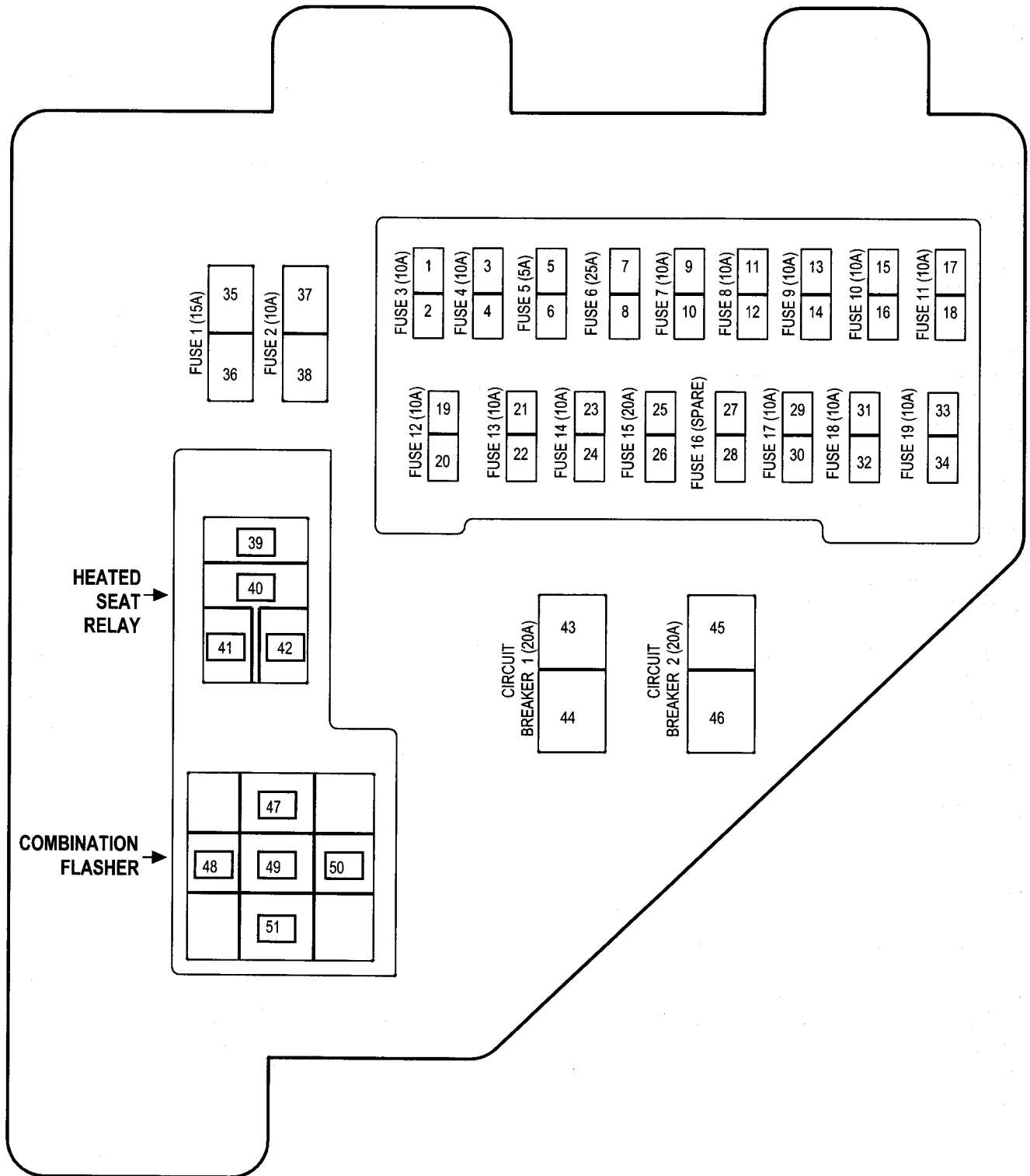




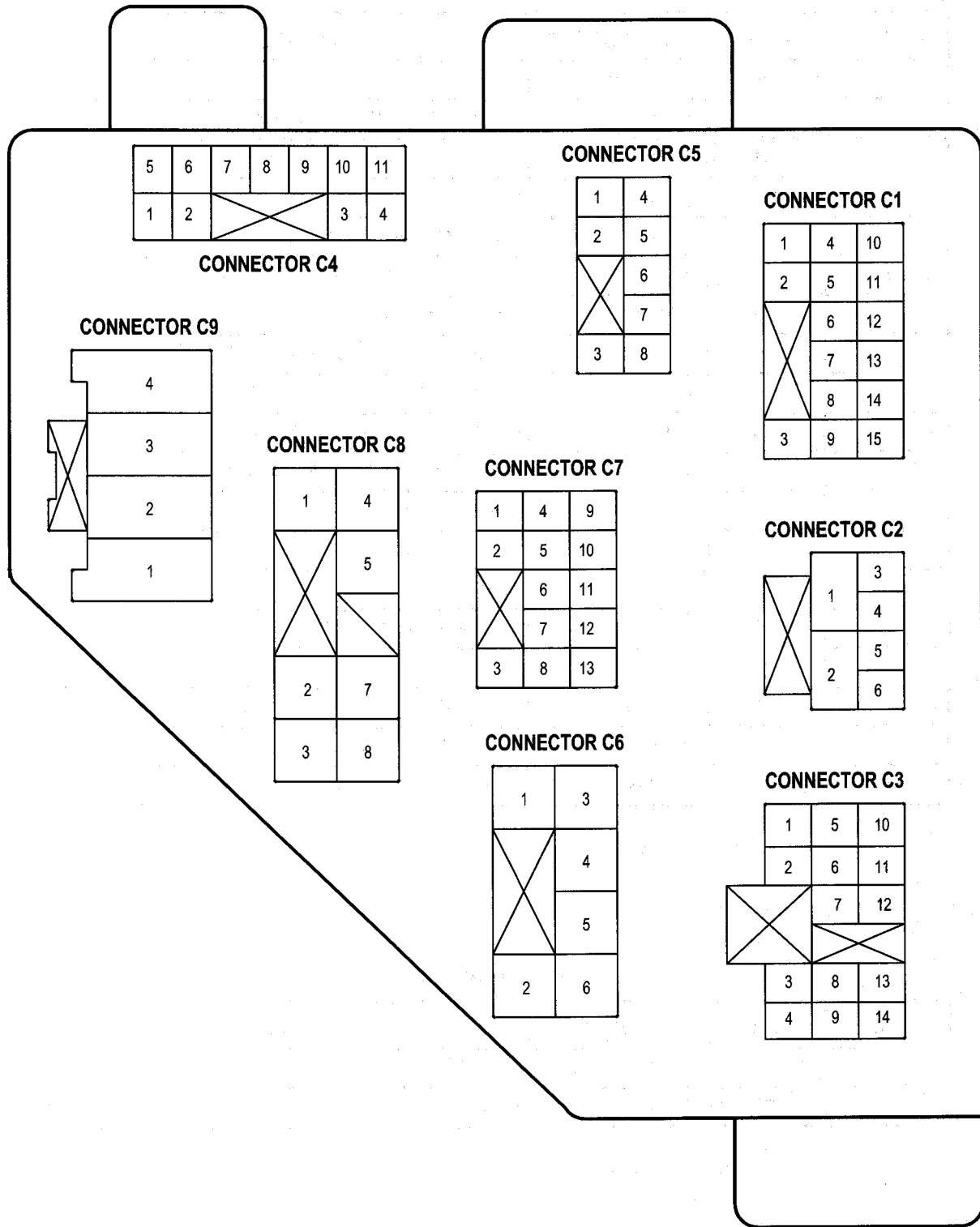
8W-12 JUNCTION BLOCK

Component	Page	Component	Page
A/C Compressor Clutch Relay	8W-12-13	Fuse 16 (JB)	8W-12-6, 16
A/C Heater Temperature Select	8W-12-8	Fuse 17 (JB)	8W-12-6, 17
A/C- Heater Control	8W-12-9	Fuse 18 (JB)	8W-12-6, 17
Airbag Control Module	8W-12-17	Fuse 19 (JB)	8W-12-6, 17
Ash Receiver Lamp	8W-12-9	G100	8W-12-18
Automatic Shut Down Relay	8W-12-12	G201	8W-12-18
Back-Up Lamp Switch	8W-12-11	Glove Box Lamp	8W-12-14
Blend Door Actuator	8W-12-8	Headlamp Switch	8W-12-9
Blower Motor Relay	8W-12-8	Heated Mirror Switch	8W-12-8
Cargo Lamp No. 1	8W-12-14	Heated Seat Relay	8W-12-8
Cargo Lamp No. 2	8W-12-14	Ignition Switch	8W-12-6
Central Timer Module	8W-12-8, 13	Instrument Cluster	8W-12-9, 16, 17, 18
Cigar Lighter	8W-12-16	Integrated Electronic Module	8W-12-10, 13, 15
Circuit Breaker 1	8W-12-6, 7	Intermittent Wiper Switch	8W-12-10
Circuit Breaker 2	8W-12-7	Joint Connector No. 1	8W-12-11
Combination Flasher	8W-12-6, 12	Joint Connector No. 3	8W-12-18
Controller Anti-Lock Brake	8W-12-8	Joint Connector No. 4	8W-12-18
Cup Holder Lamp	8W-12-9	Joint Connector No. 5	8W-12-9, 14
Data Link Connector	8W-12-14	Joint Connector No. 6	8W-12-10
Day/Night Mirror	8W-12-13	Joint Connector No. 8	8W-12-8, 9, 17
Daytime Running Lamp Module	8W-12-11	Junction Block	8W-12-2, 3, 6, 7, 8, 9,10, 11, 12, 13, 14, 15, 16, 17, 18
Dome Lamp	8W-12-14	Left Park/Turn Signal Lamp	8W-12-18
Driver Door Window/Lock Switch	8W-12-7, 15	Left Visor/Vanity Lamp	8W-12-14
Driver Heated Seat Switch	8W-12-8, 9	Overhead Console	8W-12-13, 14
Driver Power Seat Switch	8W-12-7	Oxygen Sensor Downstream Relay	8W-12-12
Duty Cycle Evap/Purge Solenoid	8W-12-13	Oxygen Sensor Upstream Relay	8W-12-12
Engine Control Module	8W-12-12	Park/Neutral Position Switch	8W-12-11
Fuel Heater Relay	8W-12-13	Passenger Airbag On/Off Switch	8W-12-17
Fuel Pump Relay	8W-12-12	Passenger Door Window/Lock Switch	8W-12-7, 15
Fuse 1 (JB)	8W-12-8	Passenger Heated Seat Switch	8W-12-8, 9
Fuse 2 (JB)	8W-12-6, 8	Passenger Power Seat Switch	8W-12-7
Fuse 3 (JB)	8W-12-6, 8	Power Mirror Switch	8W-12-14
Fuse 4 (JB)	8W-12-10	Power Seat Heater Control Module	8W-12-8
Fuse 5 (JB)	8W-12-9	Powertrain Control Module	8W-12-12
Fuse 6 (JB)	8W-12-6, 10	Radio	8W-12-9, 11, 14
Fuse 7 (JB)	8W-12-6, 11	Radio Choke Relay	8W-12-10
Fuse 8 (JB)	8W-12-6, 11	Right Park/Turn Signal Lamp	8W-12-18
Fuse 9 (JB)	8W-12-6, 12	Right Visor/Vanity Lamp	8W-12-14
Fuse 10 (JB)	8W-12-6, 12	Turn Signal/Hazard Switch	8W-12-18
Fuse 11 (JB)	8W-12-6, 13	Underhood Lamp	8W-12-14
Fuse 12 (JB)	8W-12-14	Windshield Washer Pump	8W-12-10
Fuse 13 (JB)	8W-12-15	Wiper Motor	8W-12-10
Fuse 14 (JB)	8W-12-16	Wiper Motor Relay	8W-12-10
Fuse 15 (JB)	8W-12-6, 16		

JUNCTION BLOCK
(FRONT VIEW)



JUNCTION BLOCK
(REAR VIEW)



FUSES

FUSE NO.	AMPS	FUSED CIRCUIT	FUNCTION
1	15A	F33 16 PK/RD	FUSED B(+)
2	10A	F15 18DB	FUSED IGNITION SWITCH OUTPUT (RUN)
3	10A	A20 20RD/DB	FUSED IGNITION SWITCH OUTPUT (RUN)
4	10A	X60 16DG/RD	RADIO 12V OUTPUT
5	5A	E2 22OR	FUSED PANEL LAMPS DIMMER SWITCH SIGNAL
6	25A	INTERNAL	FUSED IGNITION SWITCH OUTPUT (RUN-ACC)
7	10A	L10 18BR/LG	FUSED IGNITION SWITCH OUTPUT (RUN)
8	10A	X12 18RD/WT	FUSED IGNITION SWITCH OUTPUT (RUN-ACC)
9	10A	F18 20LG/BK	FUSED IGNITION SWITCH OUTPUT (ST-RUN)
10	10A	INTERNAL	FUSED IGNITION SWITCH OUTPUT (ST-RUN)
11	10A	INTERNAL	FUSED IGNITION SWITCH OUTPUT (ST-RUN)
12	10A	INTERNAL	FUSED B(+)
13	10A	INTERNAL	FUSED B(+)
14	10A	F73 20YL	FUSED B(+)
15	20A	F30 18RD/OR	FUSED IGNITION SWITCH OUTPUT (RUN-ACC)
16	-	-	-
17	10A	G5 22DB/WT	FUSED IGNITION SWITCH OUTPUT (ST-RUN)
18	10A	INTERNAL	FUSED IGNITION SWITCH OUTPUT (RUN)
19	10A	F14 18LG/YL	FUSED IGNITION SWITCH OUTPUT (ST-RUN)

CIRCUIT BREAKERS

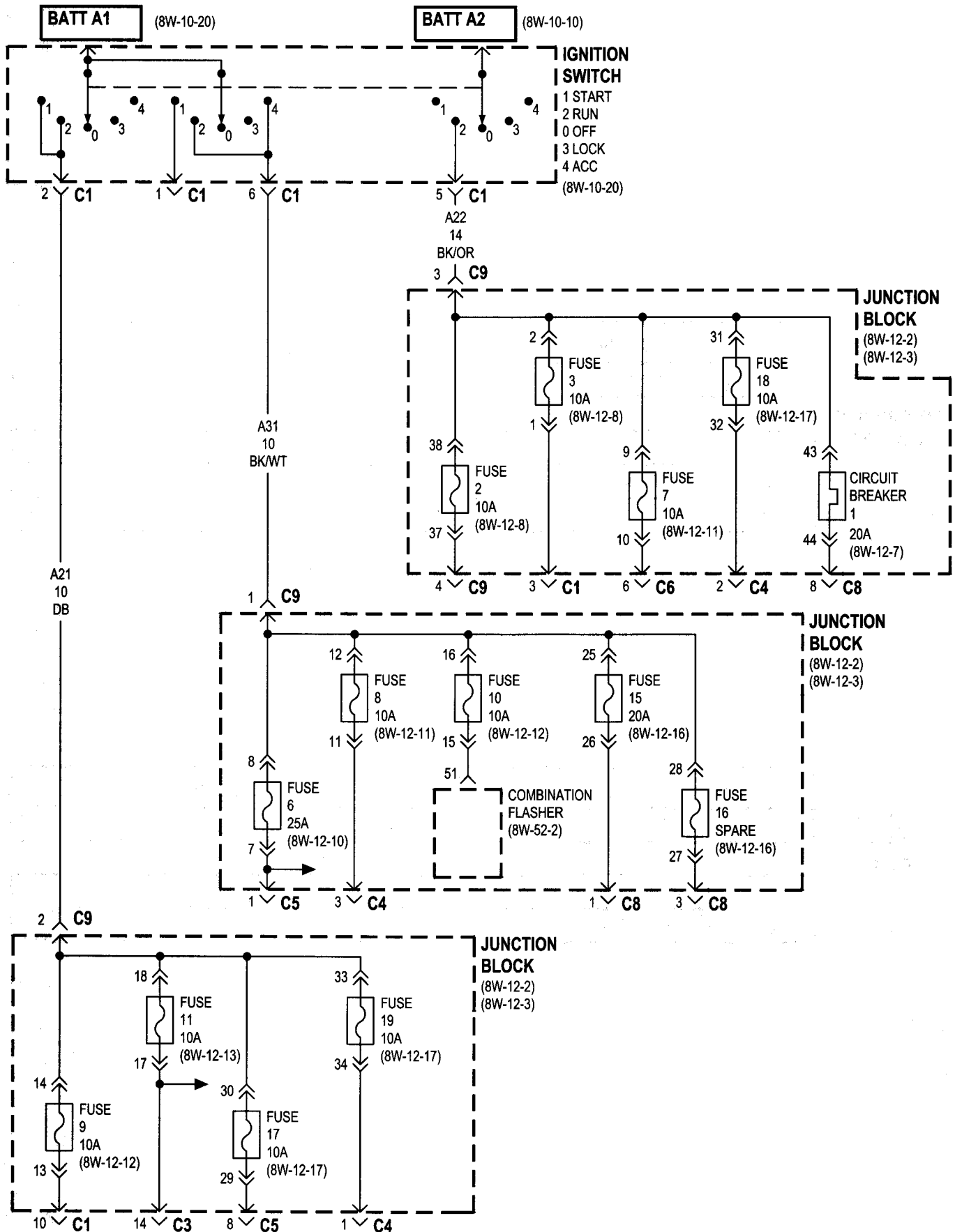
C.B. NO.	AMPS	CIRCUIT	FUNCTION
1	20A	F21 16TN	FUSED IGNITION SWITCH OUTPUT (RUN)
2	20A	F37 16RD/LB	FUSED B(+)

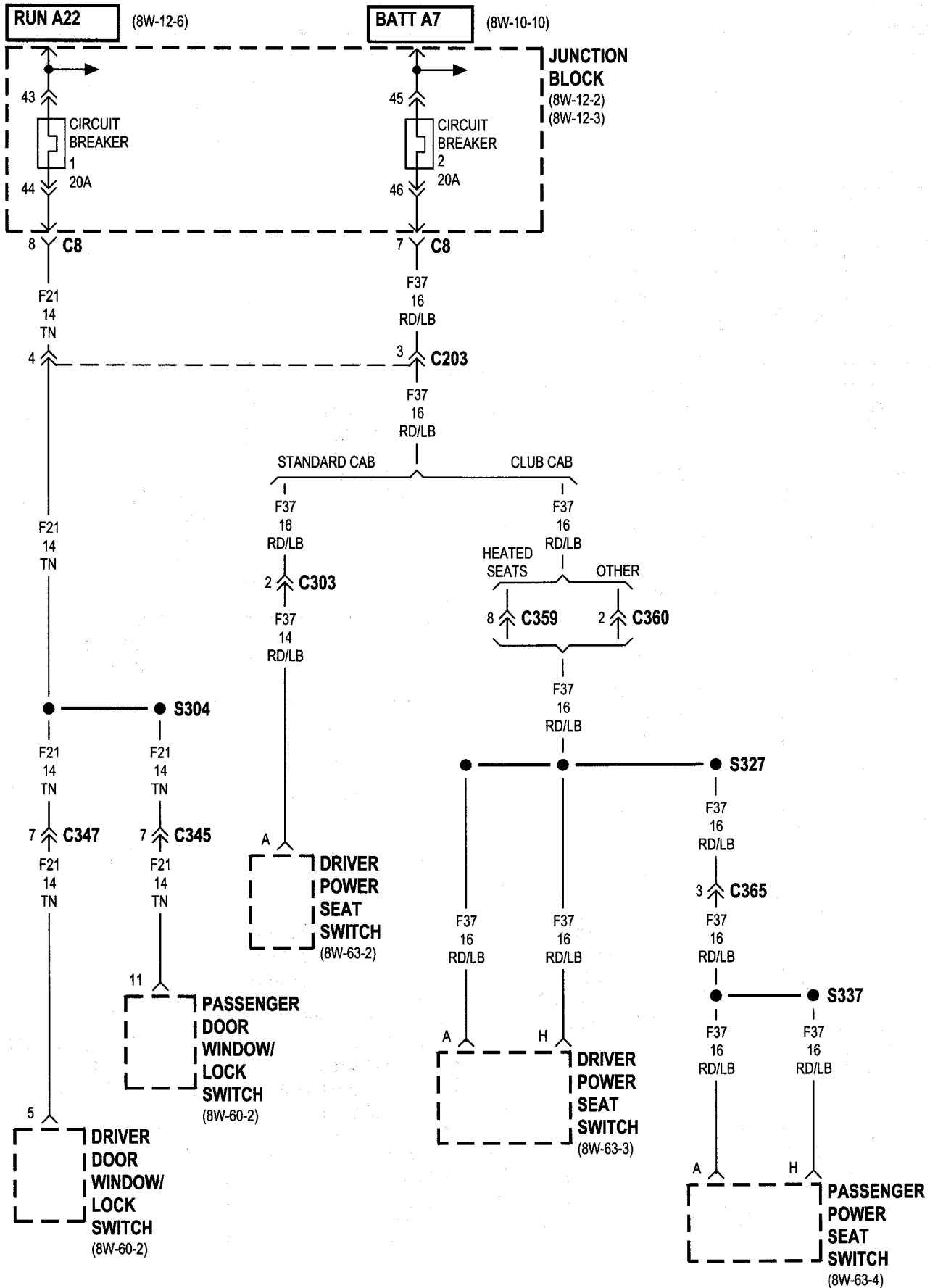
**COMBINATION
FLASHER**

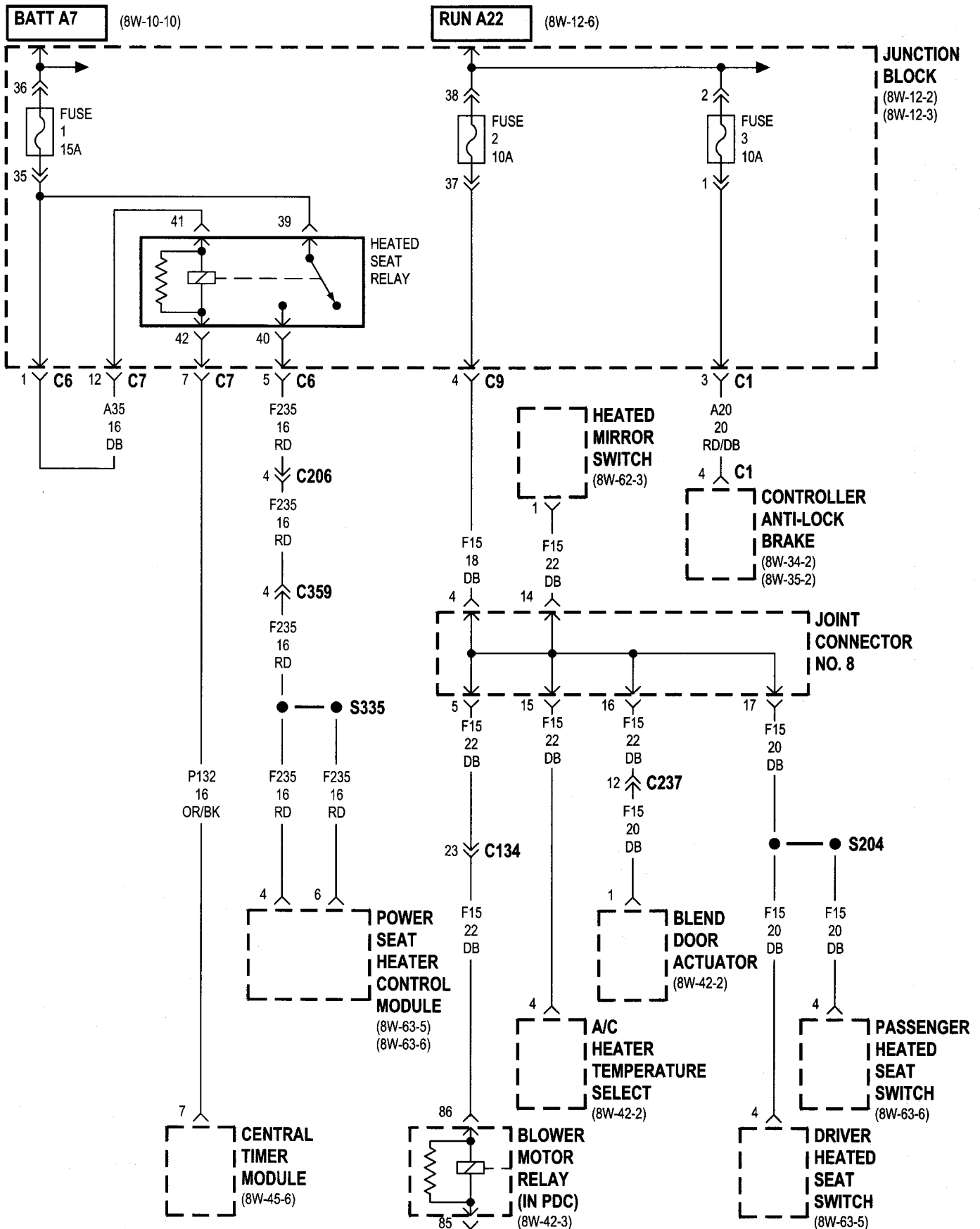
CAV	CIRCUIT	FUNCTION
47	L6 16RD/GY	FLASHER OUTPUT
48	L9 16BK/VT	FUSED FLASHER FEED
49	L19 16PK	HAZARD FLASHER SIGNAL
50	INTERNAL	GROUND
51	INTERNAL	FUSED IGNITION SWITCH OUTPUT (RUN-ACC)

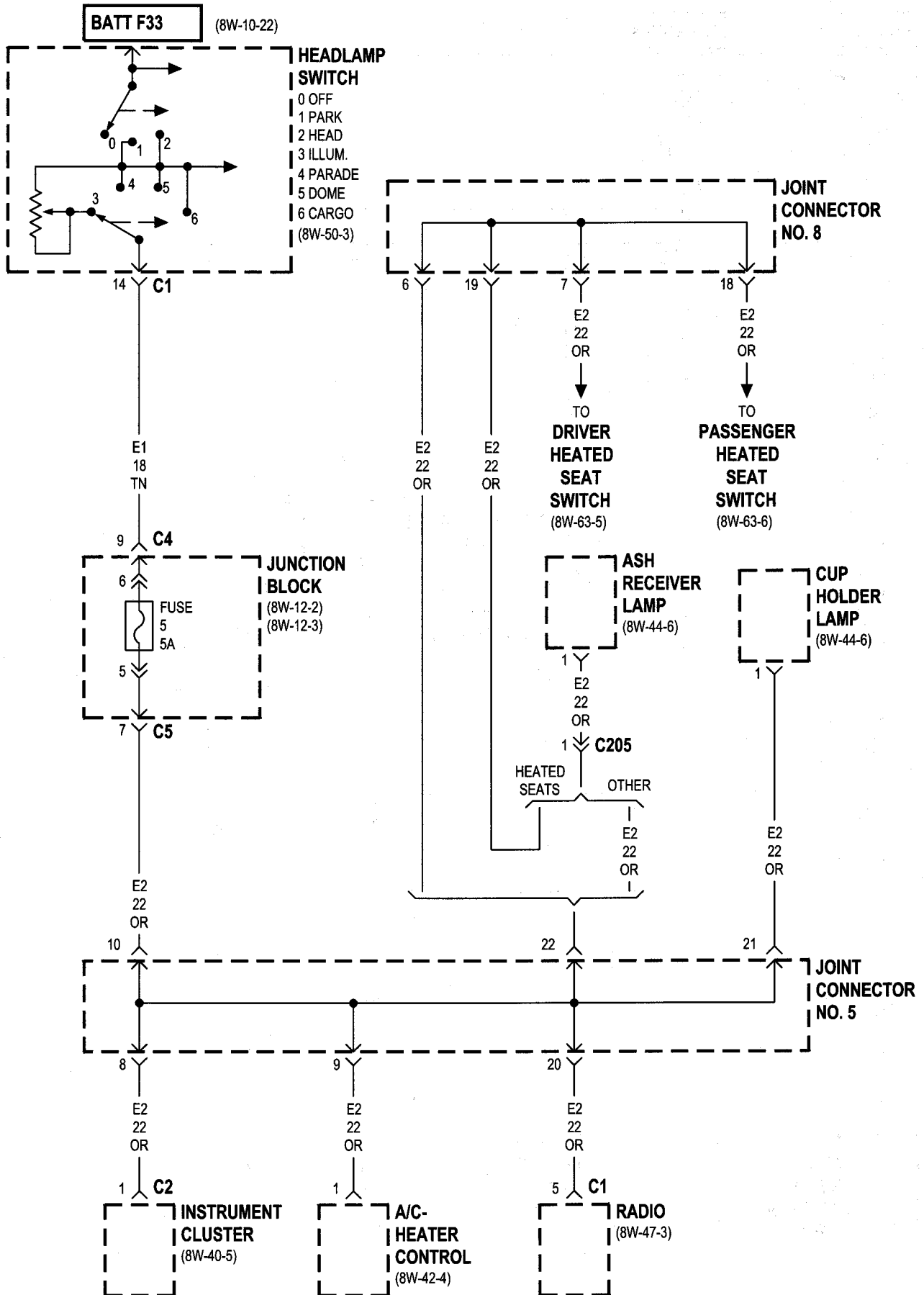
**HEATED
SEAT
RELAY**

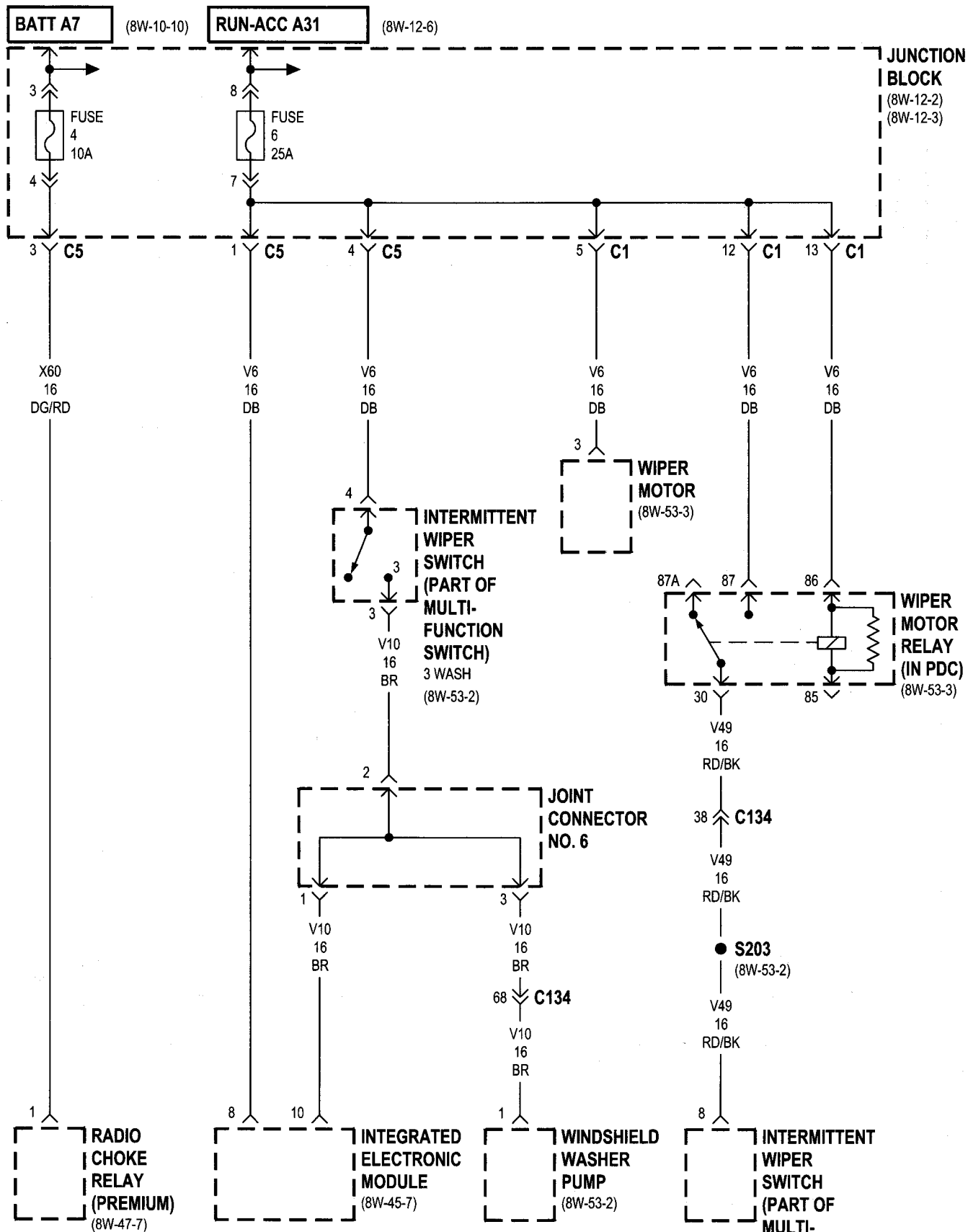
CAV	CIRCUIT	FUNCTION
39	INTERNAL	FUSED B(+)
40	F235 16RD	B(+) TO HEATED SEAT MODULE
41	A35 16DB	FUSED B(+)
42	P132 16OR/BK	HEATED SEAT ENABLE

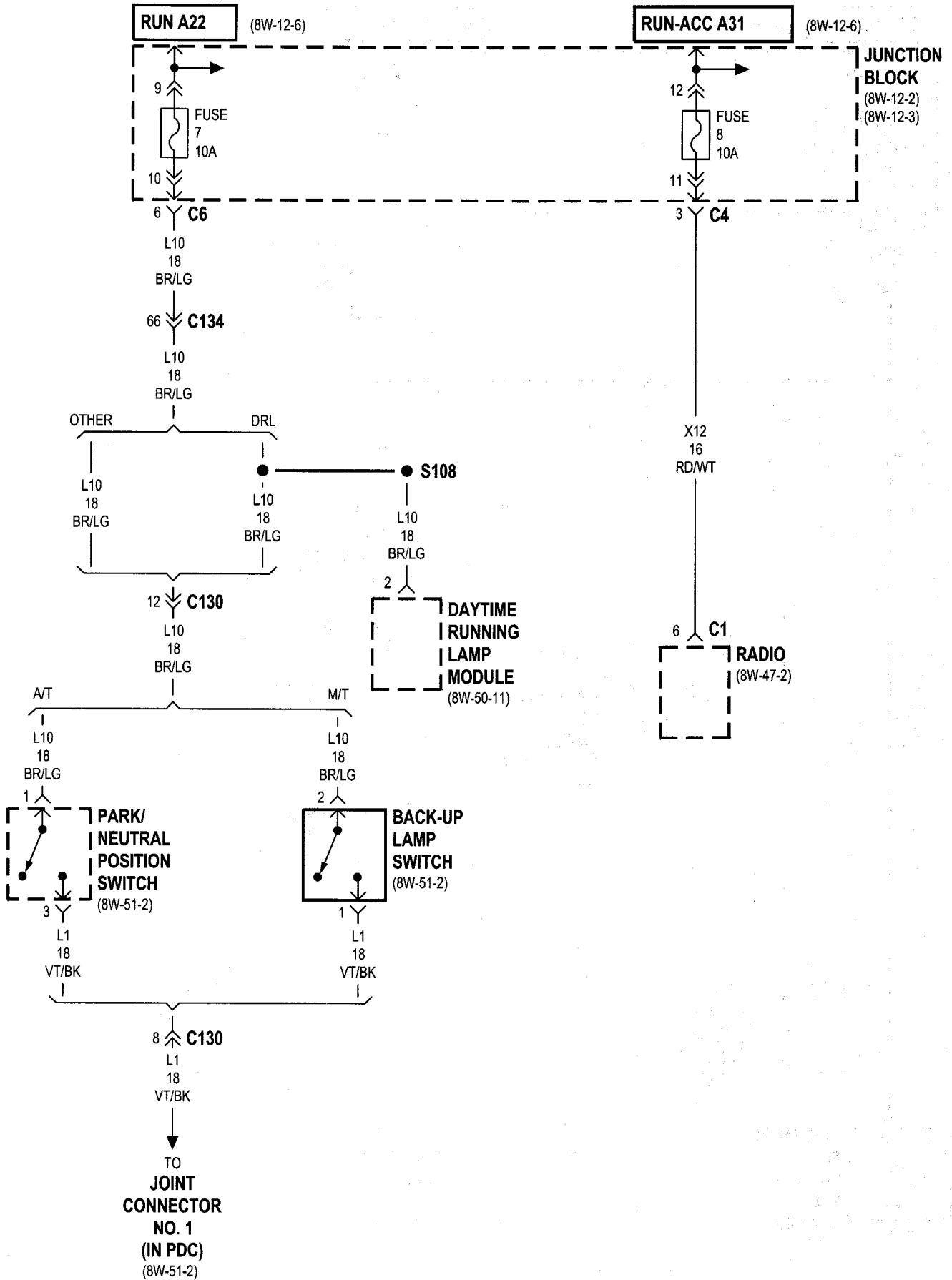


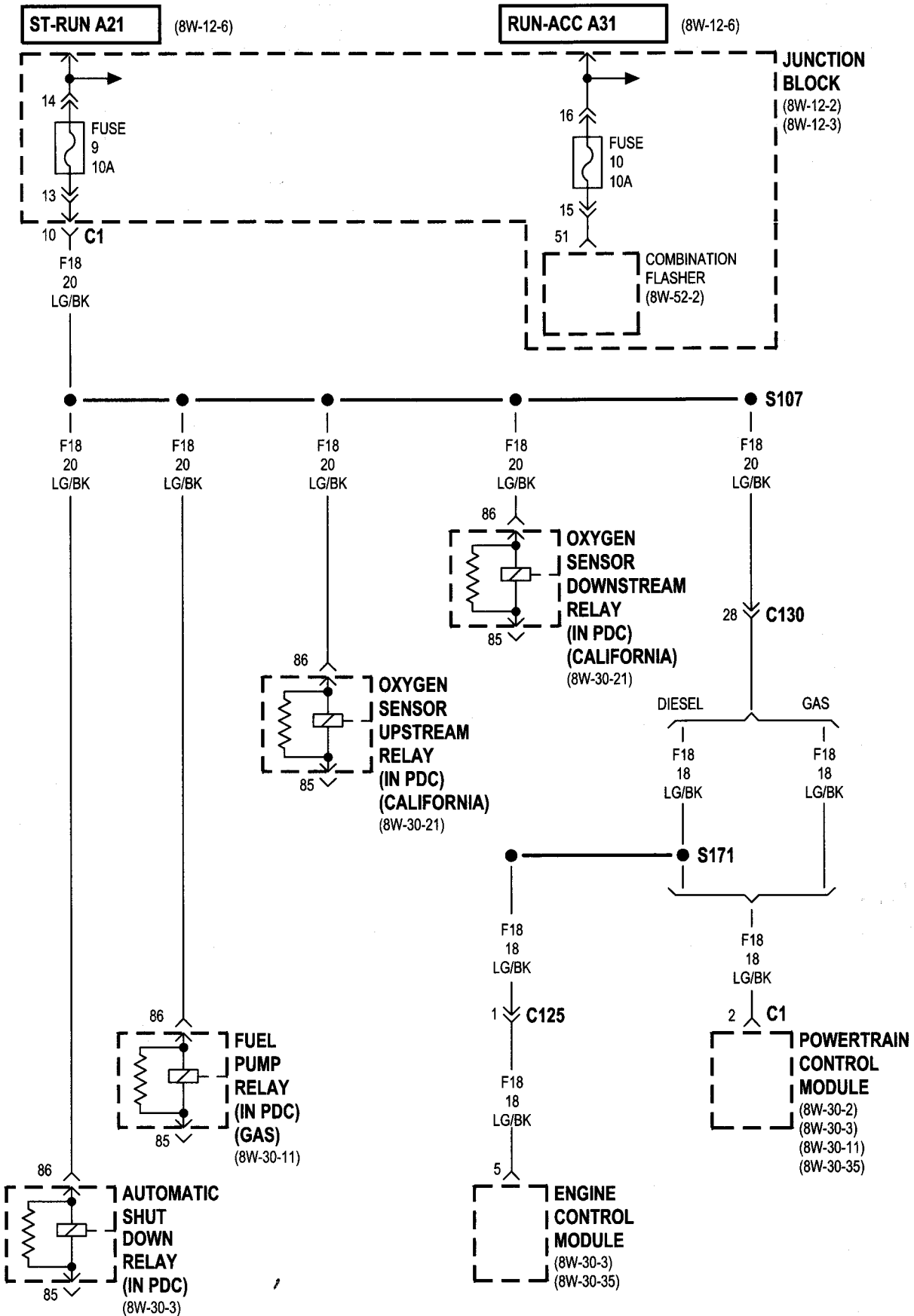


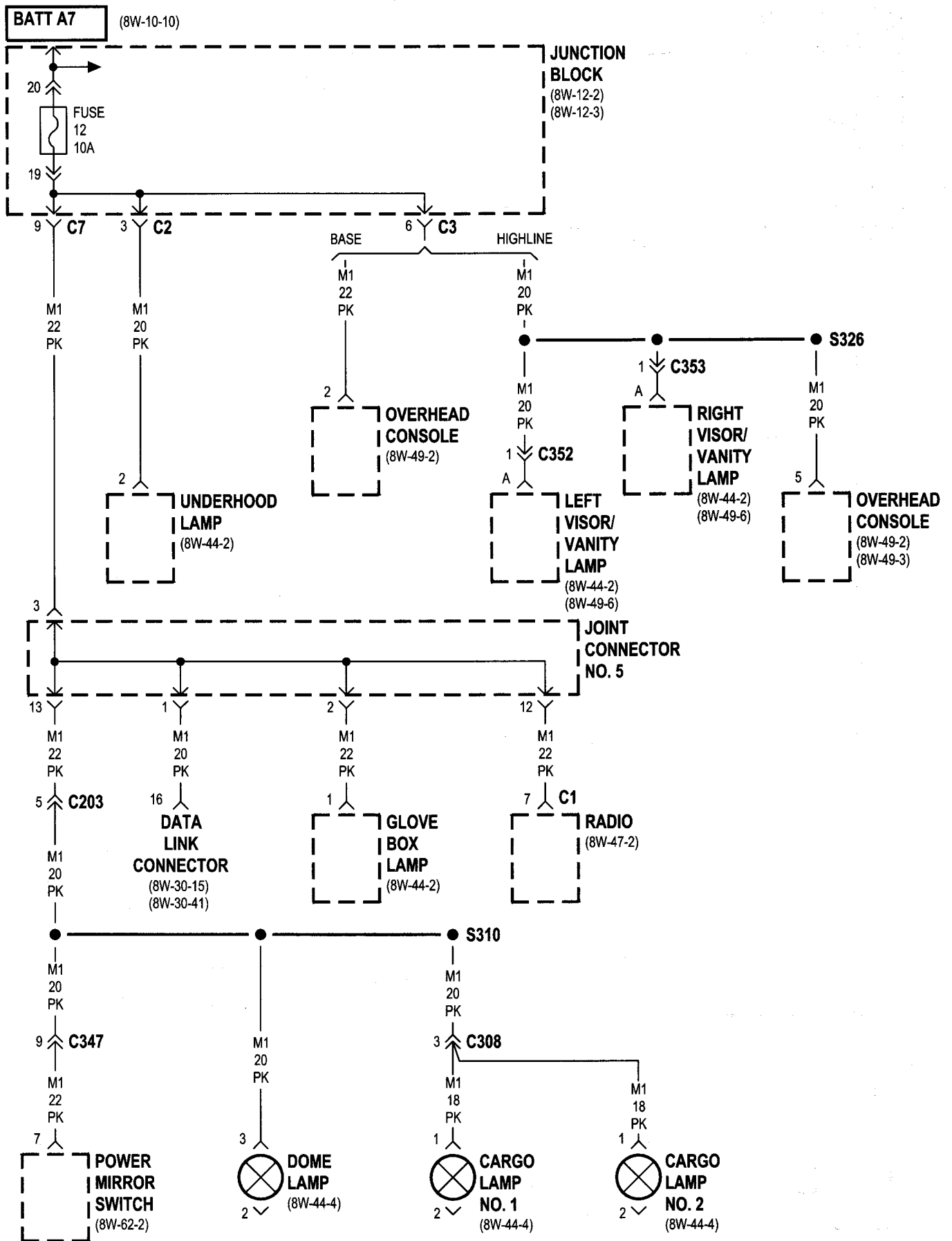


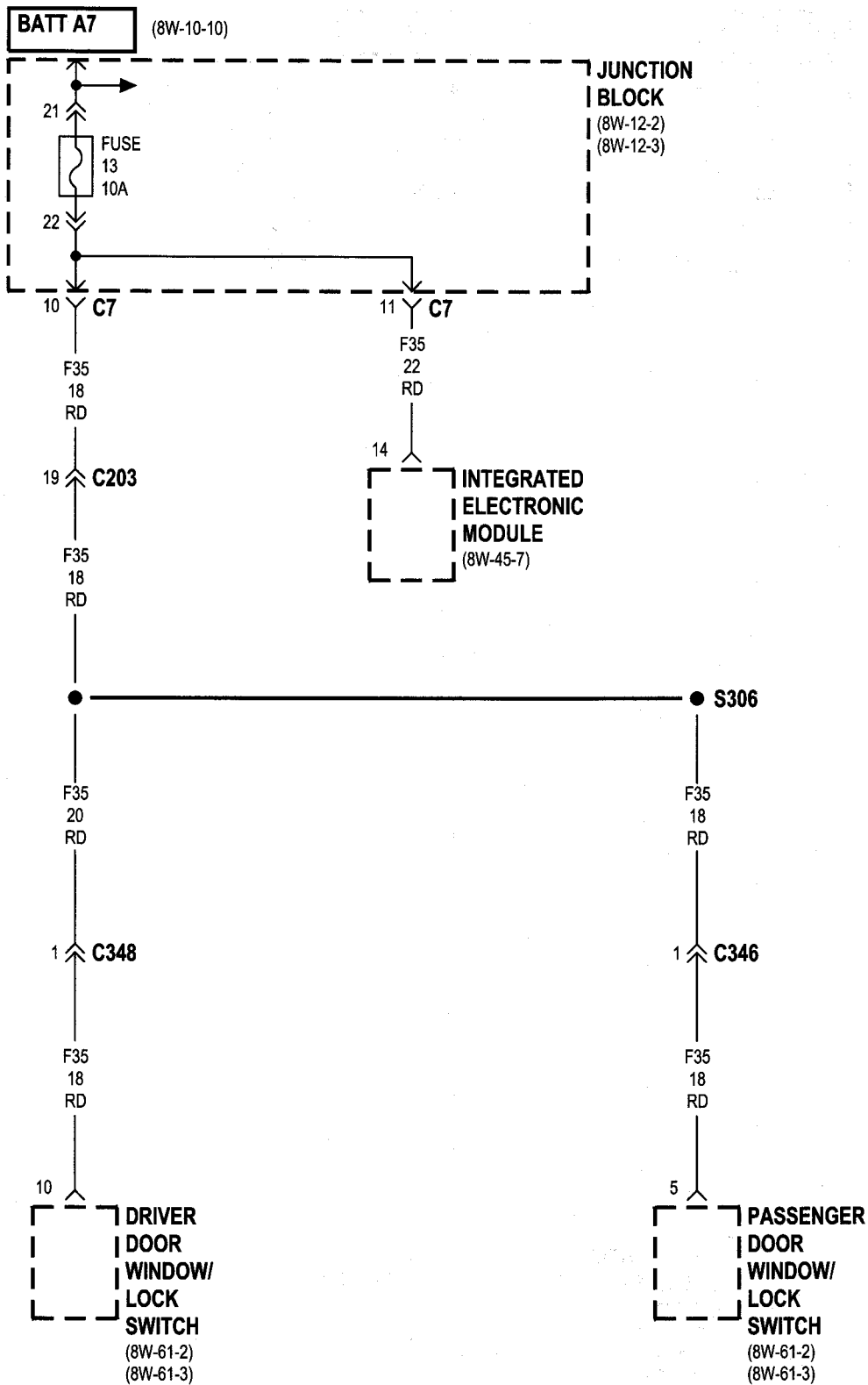


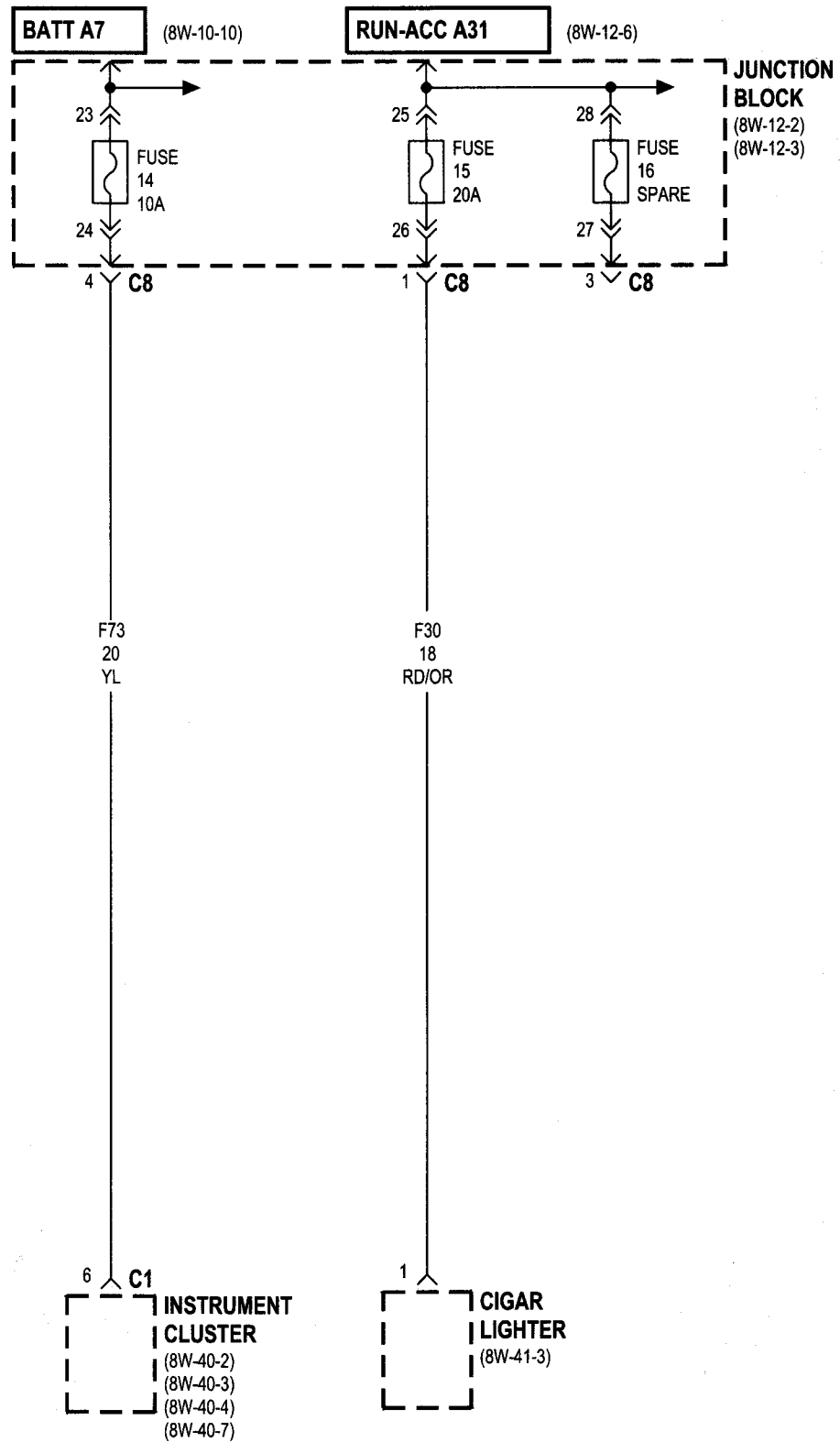


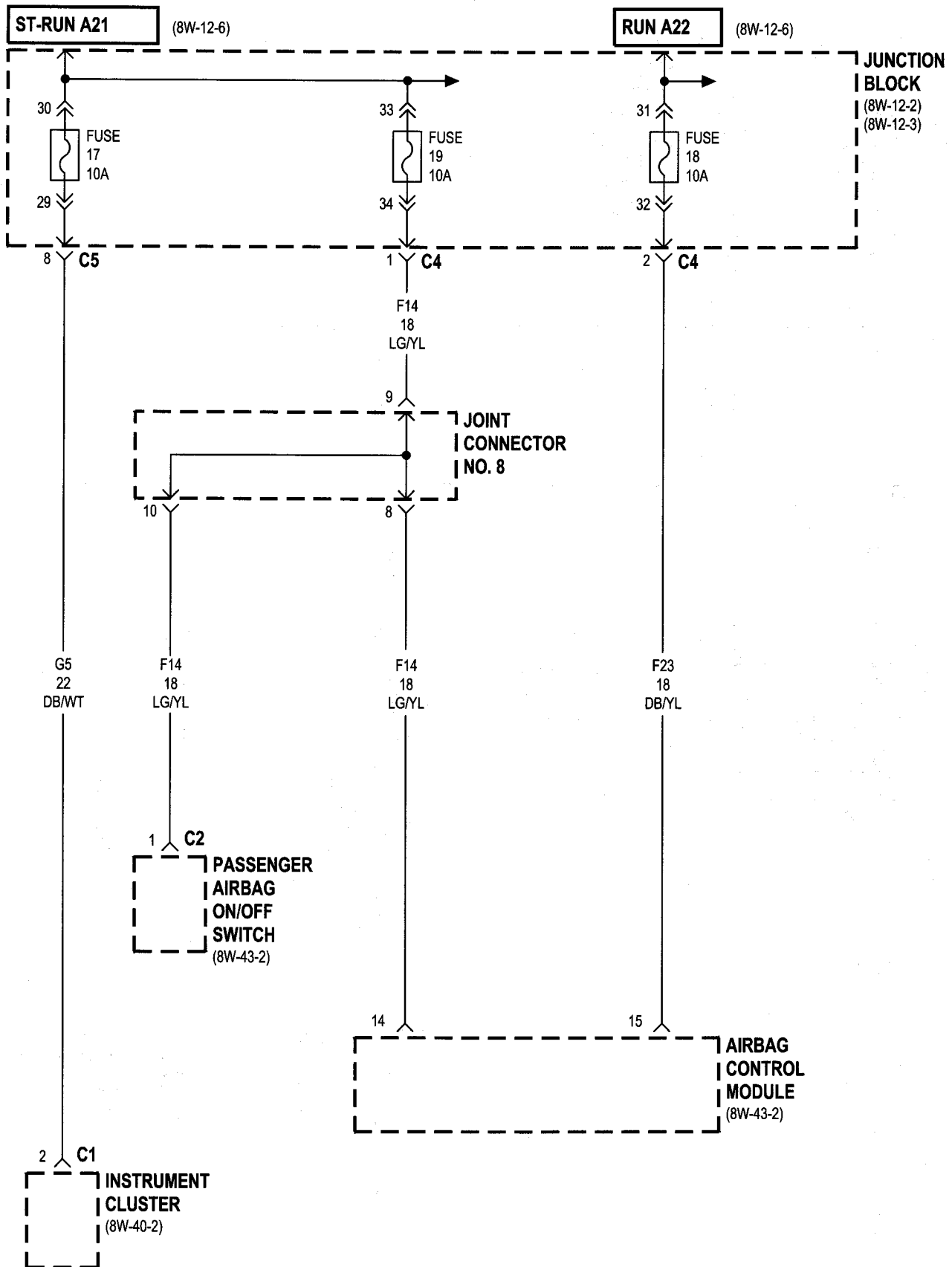


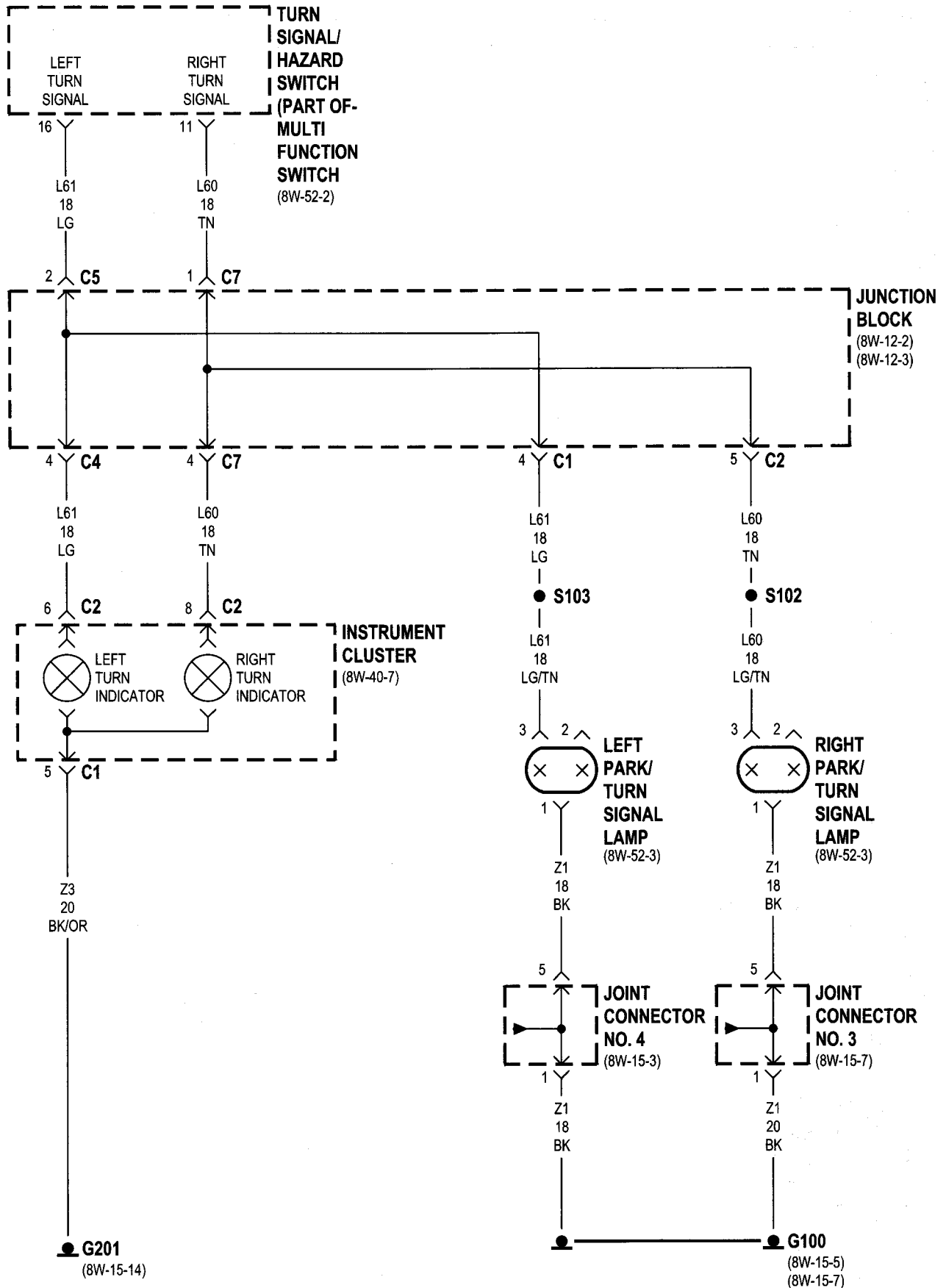






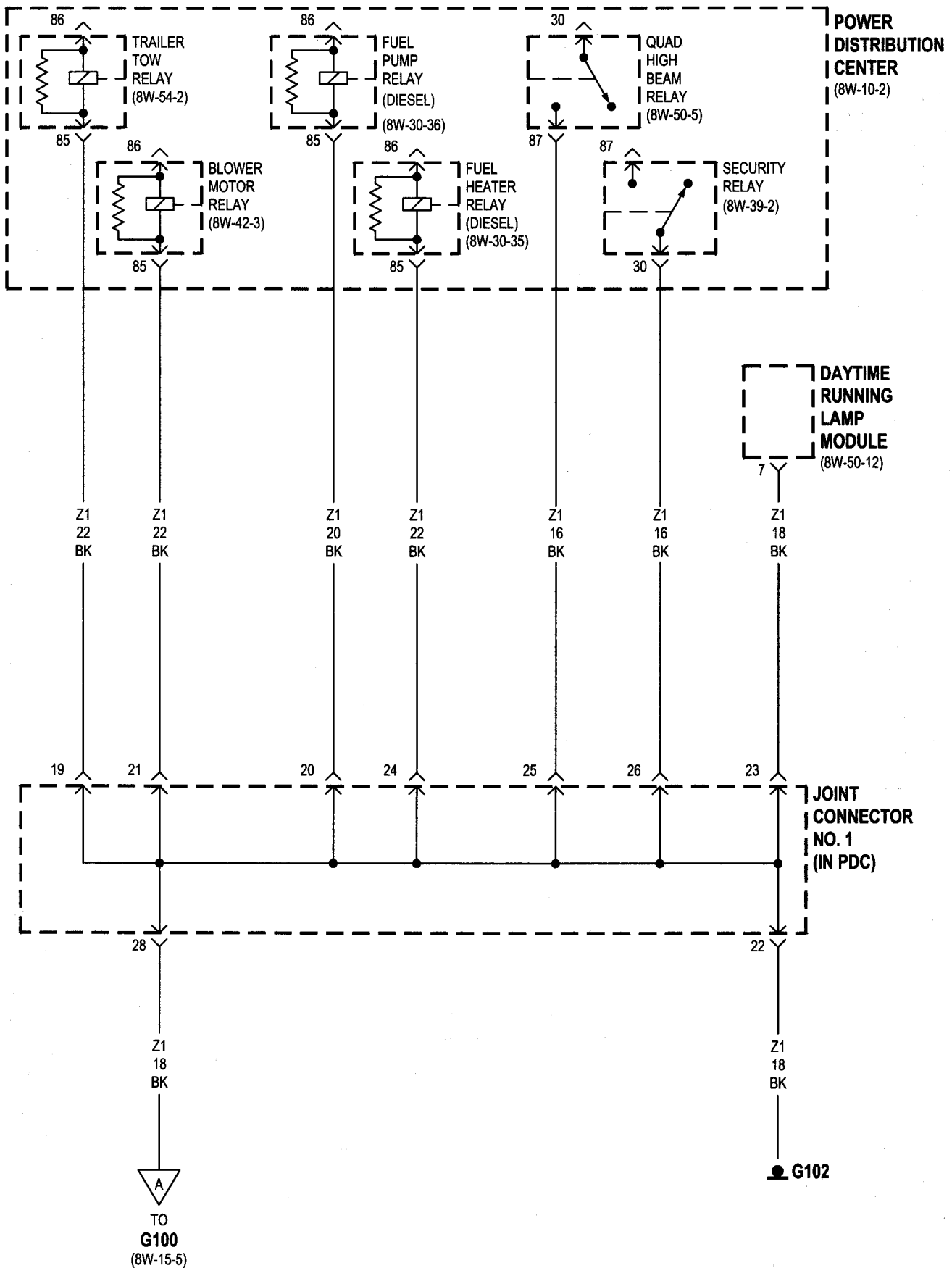


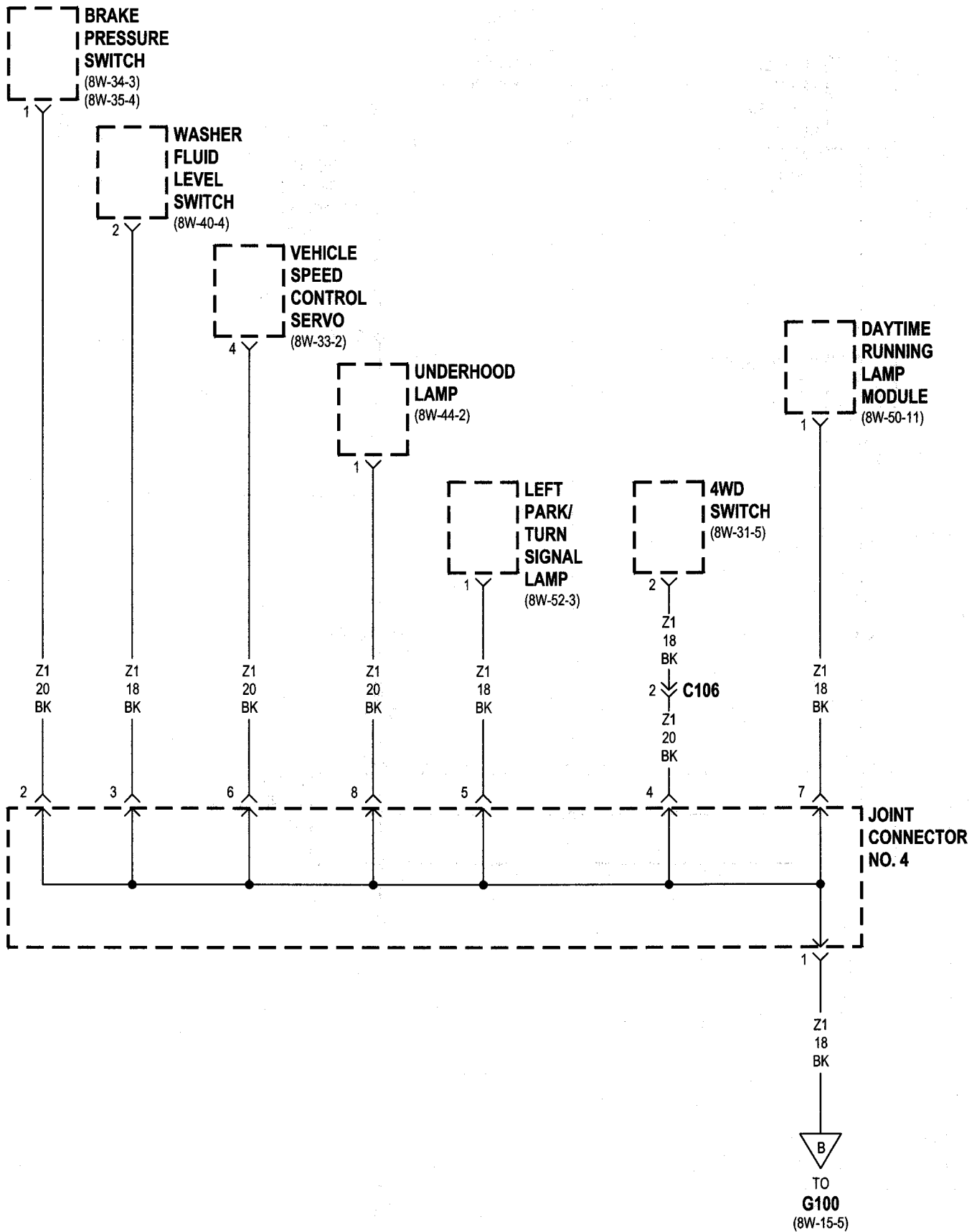


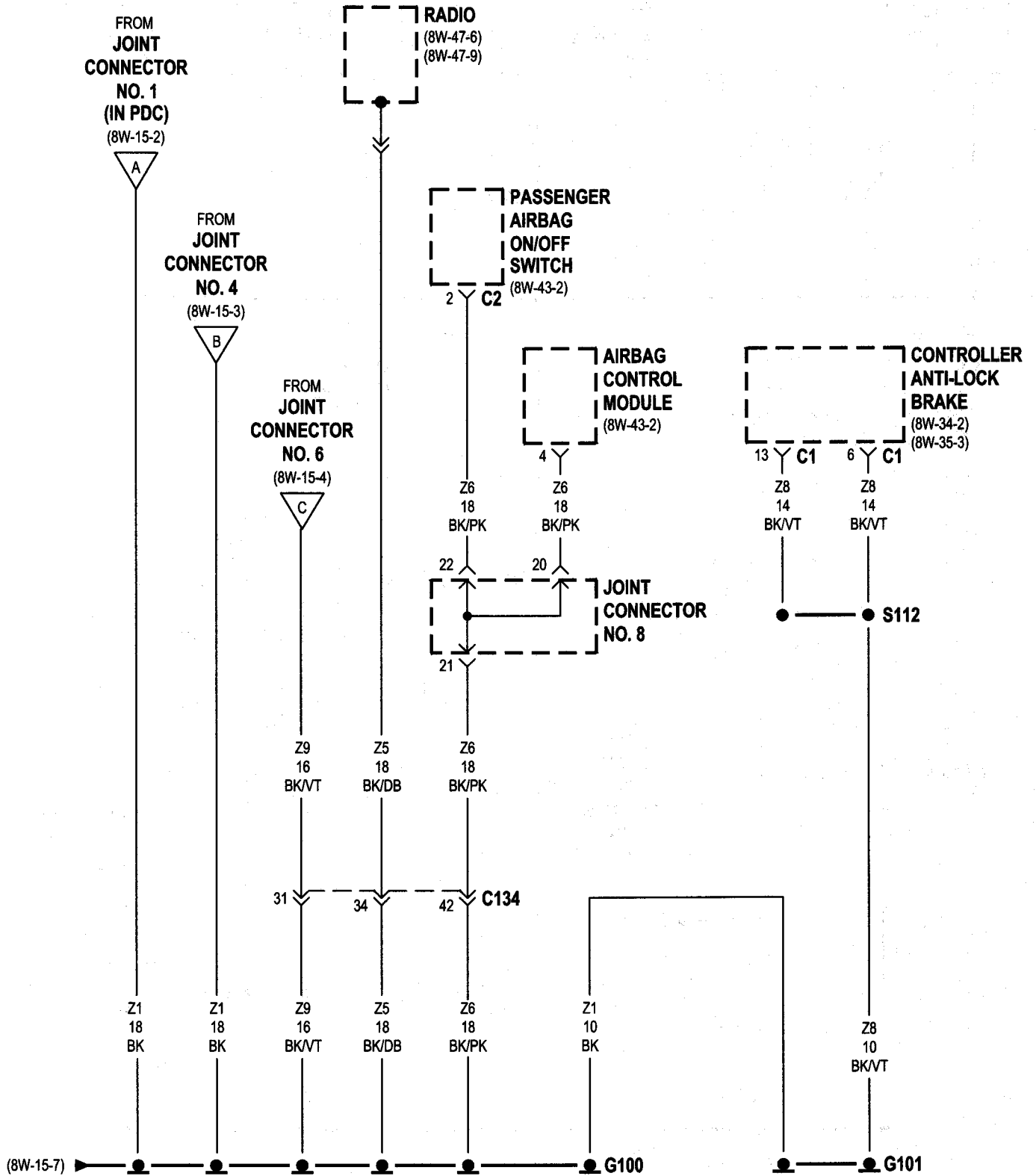


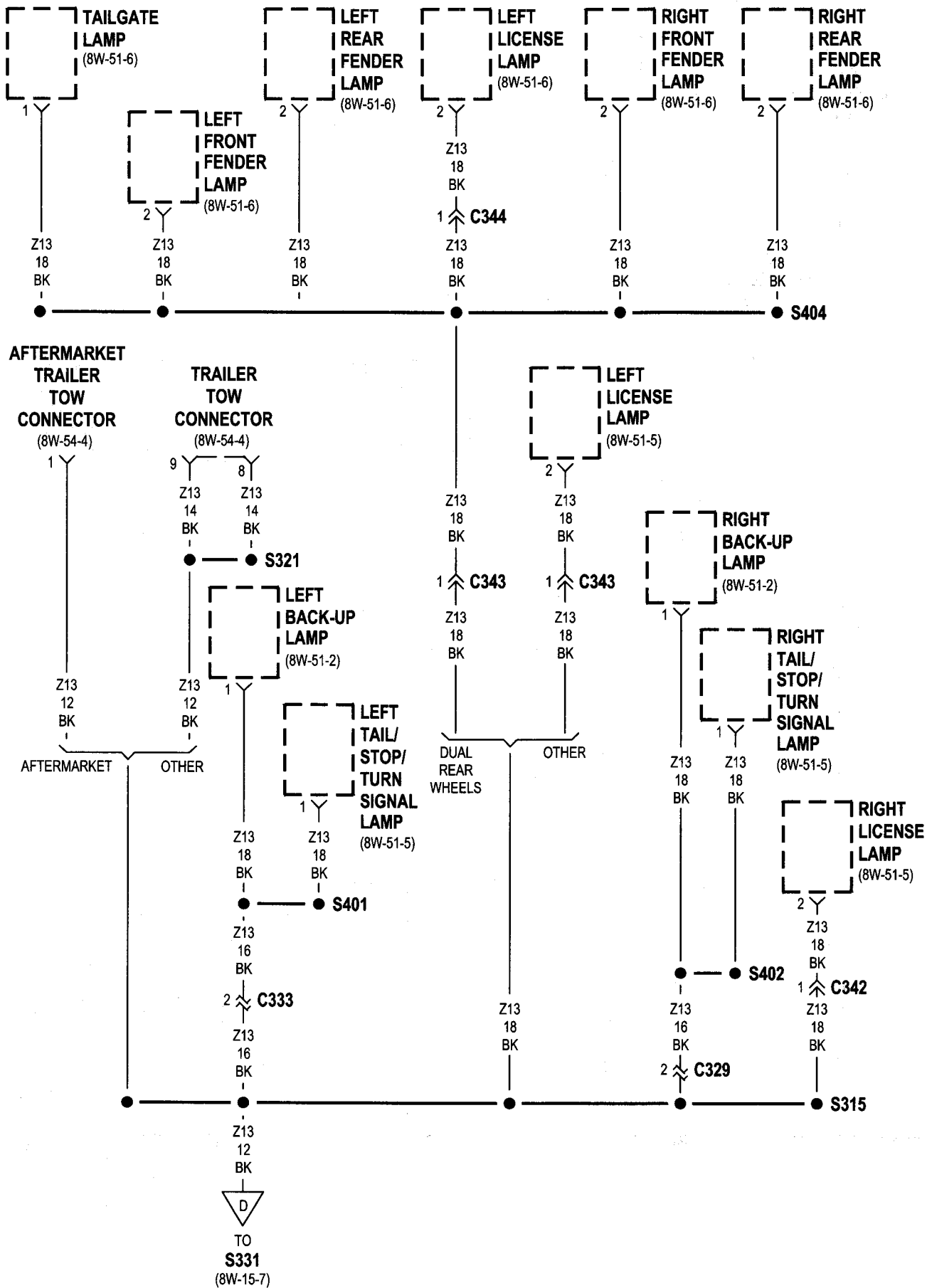
8W-15 GROUND DISTRIBUTION

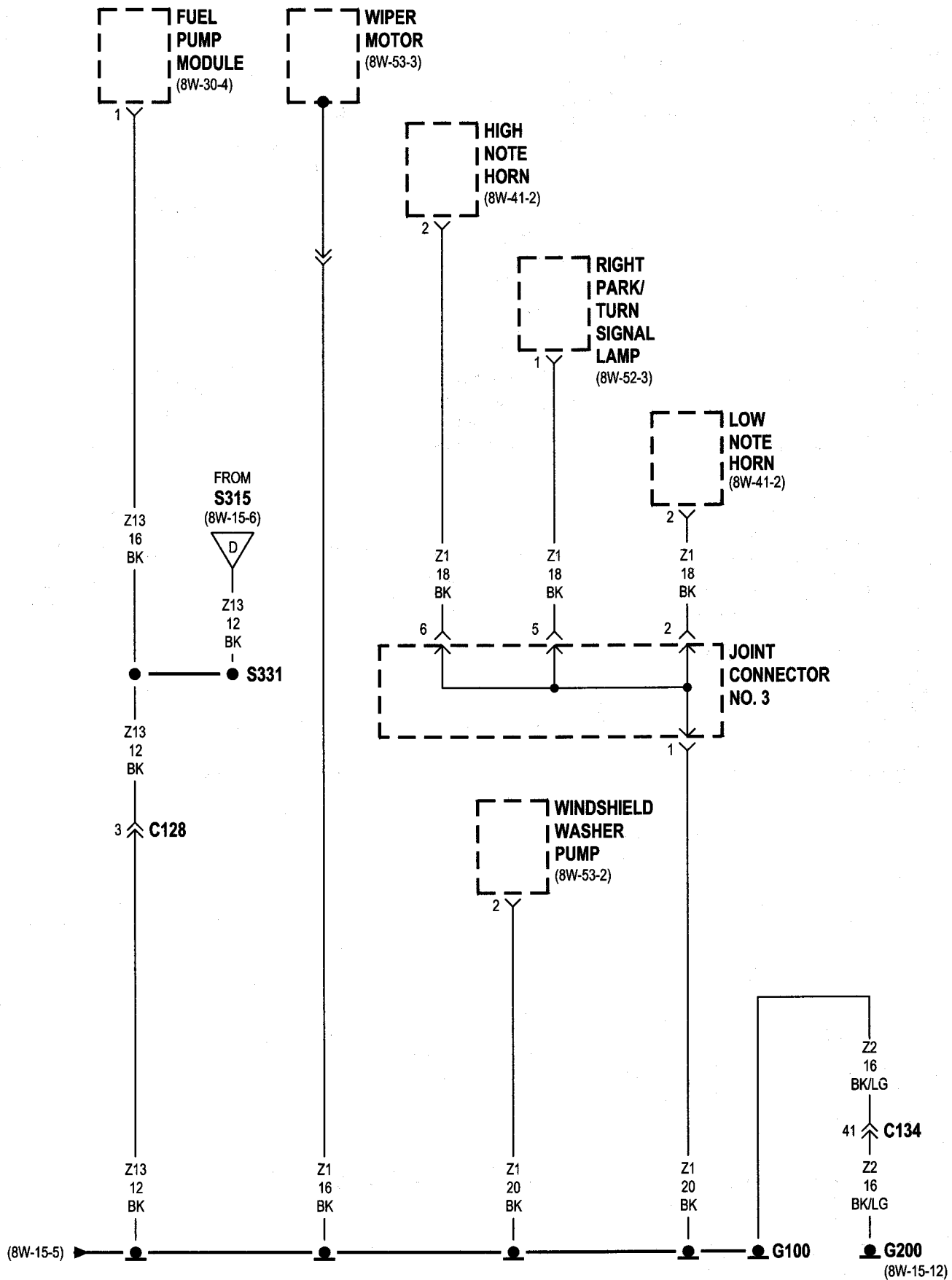
Component	Page	Component	Page
A/C Compressor Clutch	8W-15-8, 10	Joint Connector No. 2	8W-15-9
A/C Heater Temperature Select	8W-15-12	Joint Connector No. 3	8W-15-7
A/C- Heater Control	8W-15-14	Joint Connector No. 4	8W-15-3
Aftermarket Trailer Tow Connector	8W-15-6	Joint Connector No. 5	8W-15-13
Airbag Control Module	8W-15-5	Joint Connector No. 6	8W-15-4
Ash Receiver Lamp	8W-15-14	Joint Connector No. 8	8W-15-5, 13
Auxiliary Battery	8W-15-11	Junction Block	8W-15-12, 13
Battery	8W-15-11	Left Back-Up Lamp	8W-15-6
Blend Door Actuator	8W-15-12	Left Front Door Speaker	8W-15-4
Blower Motor Relay	8W-15-2	Left Front Fender Lamp	8W-15-6
Brake Lamp Switch	8W-15-12	Left License Lamp	8W-15-6
Brake Pressure Switch	8W-15-3	Left Outboard Clearance Lamp	8W-15-18
Center High Mounted Stop Lamp No. 1	8W-15-17	Left Outboard Identification Lamp	8W-15-18
Center High Mounted Stop Lamp No. 2	8W-15-17	Left Park/Turn Signal Lamp	8W-15-3
Center Identification Lamp	8W-15-18	Left Power Mirror	8W-15-16
Central Timer Module	8W-15-13	Left Rear Fender Lamp	8W-15-6
Cigar Lighter	8W-15-14	Left Tail/Stop/Turn Signal Lamp	8W-15-6
Clockspring No. 1	8W-15-4	Left Visor/Vanity Lamp	8W-15-13
Combination Flasher	8W-15-13	Low Note Horn	8W-15-7
Controller Anti-Lock Brake	8W-15-5	Overdrive Switch	8W-15-12
Cummins Bus	8W-15-10	Overhead Console	8W-15-12
Cup Holder Lamp	8W-15-14	Oxygen Sensor 1/1 Left Bank Up	8W-15-8
Data Link Connector	8W-15-8, 10	Oxygen Sensor 1/1 Upstream	8W-15-8
Day/Night Mirror	8W-15-13	Oxygen Sensor 1/2 Downstream	8W-15-8
Daytime Running Lamp Module	8W-15-2, 3	Oxygen Sensor 1/2 Left Bank Down	8W-15-8
Driver Cylinder Lock Switch	8W-15-16	Oxygen Sensor 1/2 Pre- Catalyst	8W-15-8
Driver Door Jamb Switch	8W-15-16	Oxygen Sensor 1/3 Post- Catalyst	8W-15-8
Driver Door Window/Lock Switch	8W-15-16, 17	Oxygen Sensor 2/1 Right Bank Up	8W-15-8
Driver Heated Seat Module	8W-15-15	Oxygen Sensor 2/2 Right Bank Down	8W-15-8
Driver Heated Seat Switch	8W-15-13	Passenger Airbag On/Off Switch	8W-15-5
Driver Power Seat Switch	8W-15-15, 17	Passenger Cylinder Lock Switch	8W-15-16
Electric Brake Provision	8W-15-14	Passenger Door Jamb Switch	8W-15-16
Engine Control Module	8W-15-9	Passenger Door Window/Lock Switch	8W-15-16
Engine Starter Motor Relay	8W-15-8, 9	Passenger Heated Seat Module	8W-15-15
Fuel Heater	8W-15-10	Passenger Heated Seat Switch	8W-15-13
Fuel Heater Relay	8W-15-2	Passenger Power Seat Switch	8W-15-15
Fuel Injection Pump	8W-15-9	Power Distribution Center	8W-15-2
Fuel Pump Module	8W-15-7	Power Mirror Switch	8W-15-16
Fuel Pump Relay	8W-15-2	Power Outlet	8W-15-14
Fuel Transfer Pump	8W-15-10	Power Seat Heater Control Module	8W-15-15
G100	8W-15-5, 7, 12	Powertrain Control Module	8W-15-8, 10
G101	8W-15-5	Quad High Beam Relay	8W-15-2
G102	8W-15-2	Radio	8W-15-5
G105	8W-15-8	Radio Choke Relay	8W-15-4
G107	8W-15-10	Right Back-Up Lamp	8W-15-6
G113	8W-15-11	Right Front Door Speaker	8W-15-4
G114	8W-15-11	Right Front Fender Lamp	8W-15-6
G115	8W-15-11	Right License Lamp	8W-15-6
G116	8W-15-11	Right Outboard Clearance Lamp	8W-15-18
G117	8W-15-11	Right Outboard Identification Lamp	8W-15-18
G118	8W-15-11	Right Park/Turn Signal Lamp	8W-15-7
G120	8W-15-11	Right Power Mirror	8W-15-16
G200	8W-15-7, 12, 14	Right Rear Fender Lamp	8W-15-6
G201	8W-15-12, 14	Right Tail/Stop/Turn Signal Lamp	8W-15-6
G300	8W-15-16	Right Visor/Vanity Lamp	8W-15-13
G301	8W-15-17	Seat Belt Switch	8W-15-15, 17
G302	8W-15-18	Security Relay	8W-15-2
Glove Box Lamp	8W-15-14	Tailgate Lamp	8W-15-6
Headlamp Beam Select Switch	8W-15-14	Trailer Tow Connector	8W-15-6
Headlamp Switch	8W-15-13, 14	Trailer Tow Relay	8W-15-2
Heated Mirror Switch	8W-15-13	Underhood Lamp	8W-15-3
High Note Horn	8W-15-7	Vehicle Speed Control Servo	8W-15-3, 9
Ignition Switch	8W-15-13	Vehicle Speed Control/Horn Switch	8W-15-4
Instrument Cluster	8W-15-12, 14	Washer Fluid Level Switch	8W-15-3
Intake Air Heater Relay	8W-15-9	Windshield Washer Pump	8W-15-7
Integrated Electronic Module	8W-15-12	Wiper Motor	8W-15-7
Joint Connector No. 1	8W-15-2		

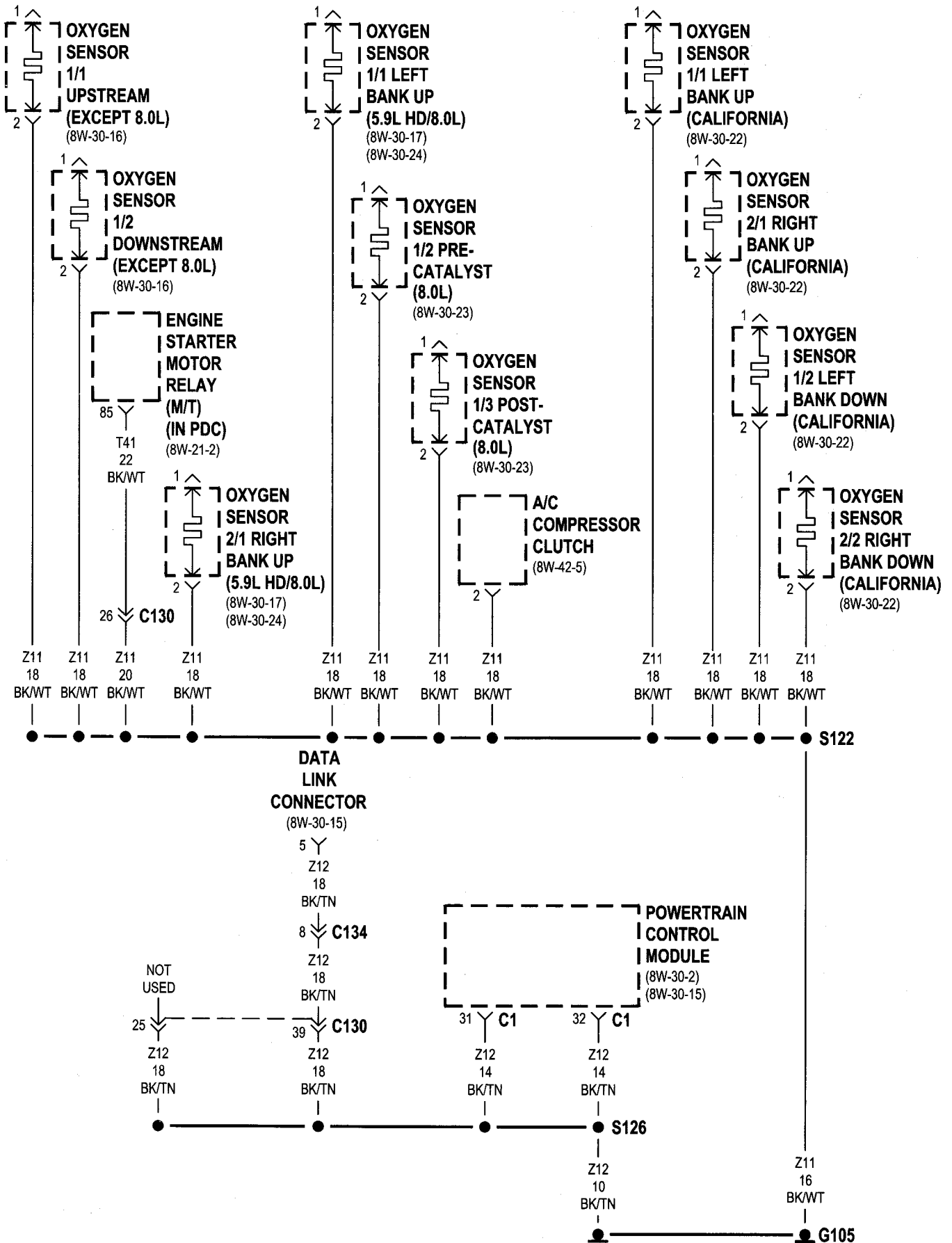


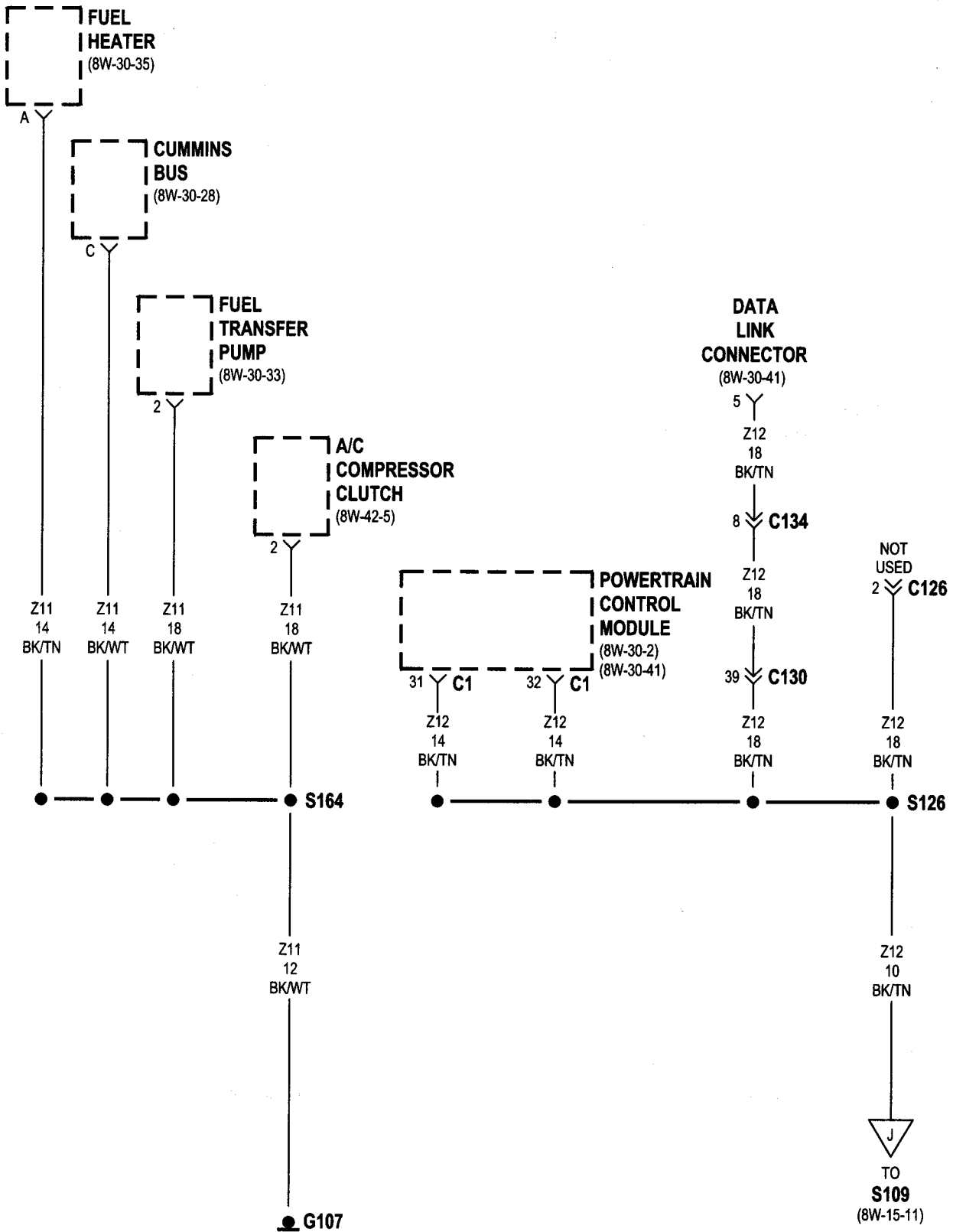


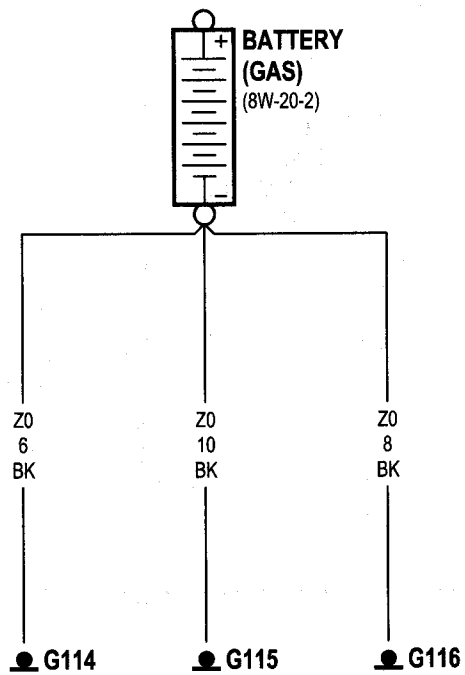
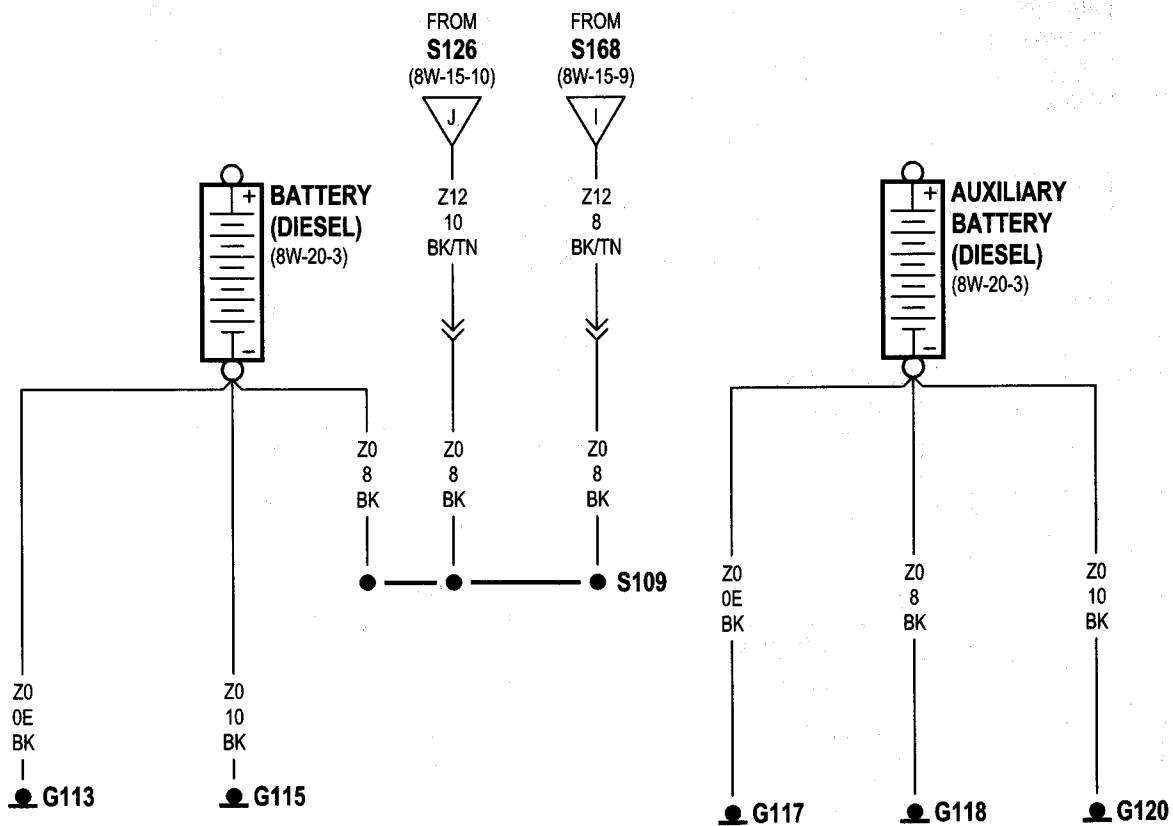


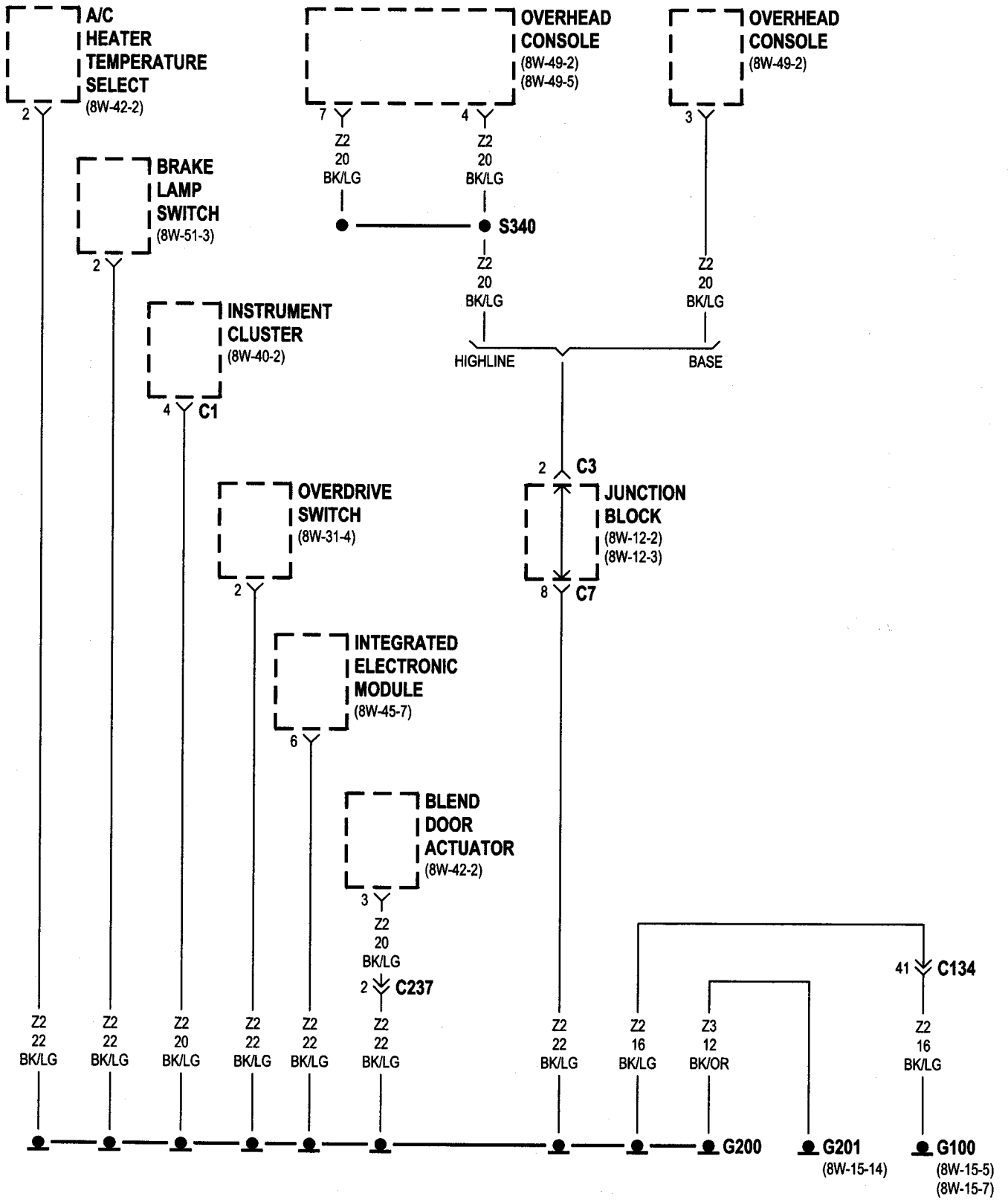


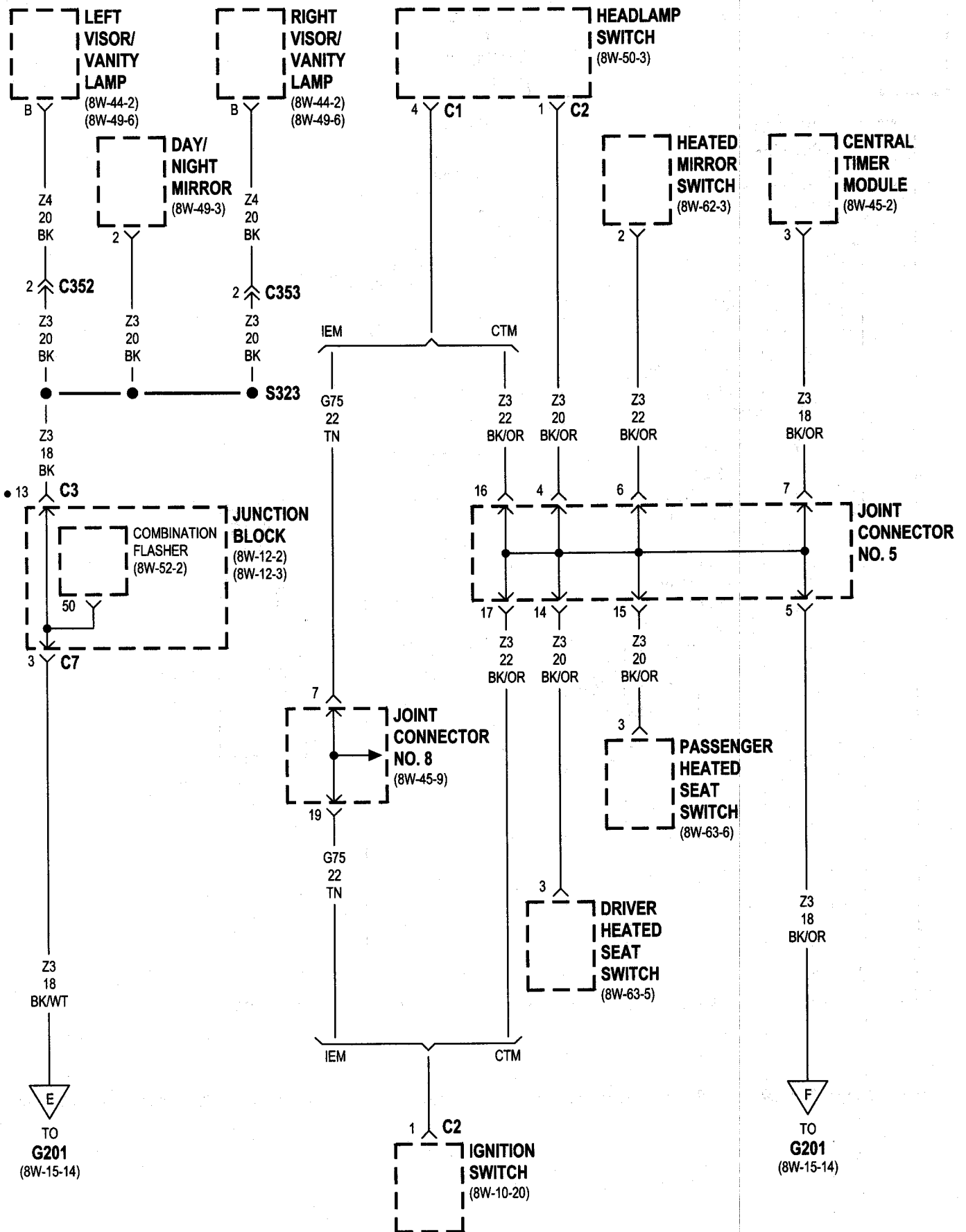




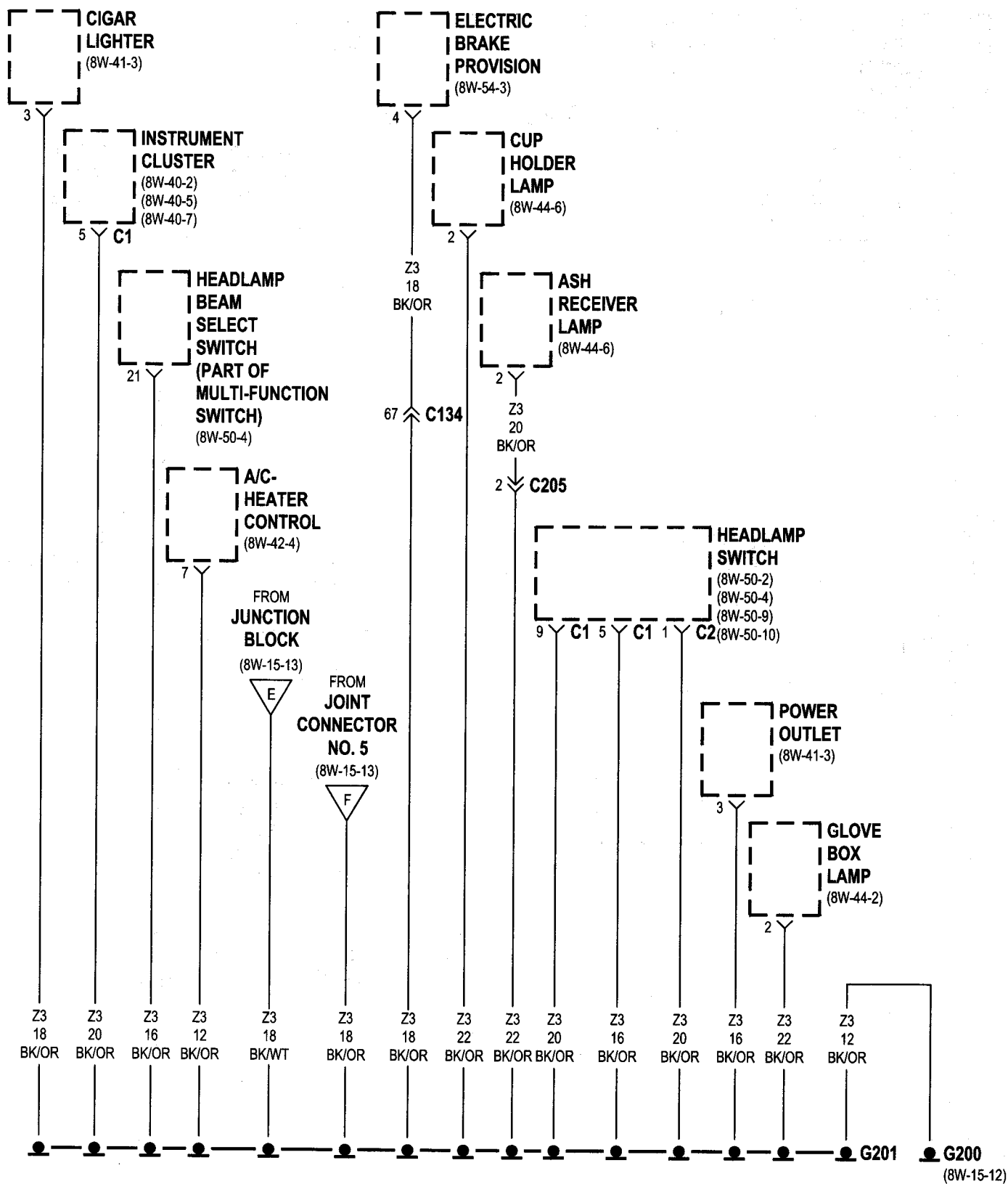


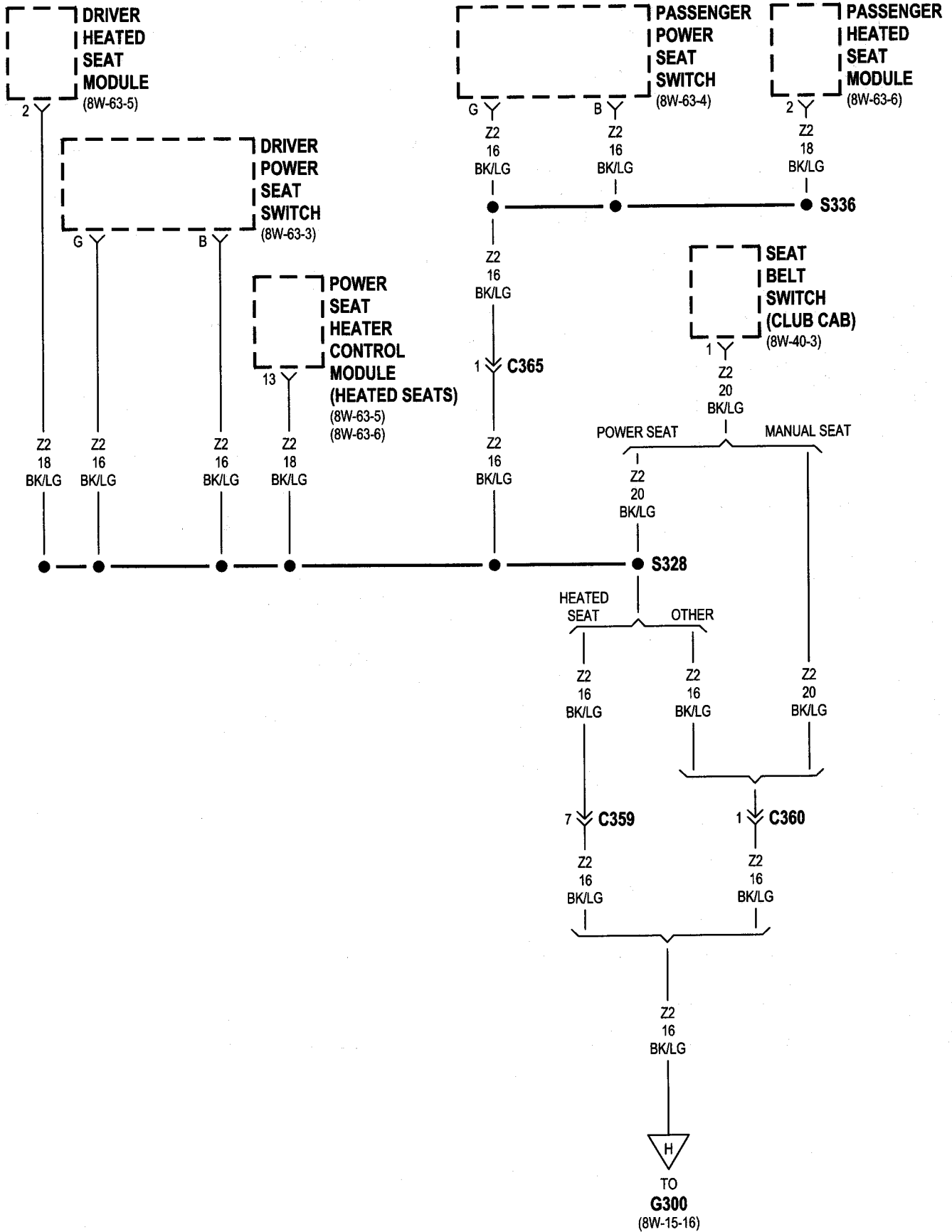


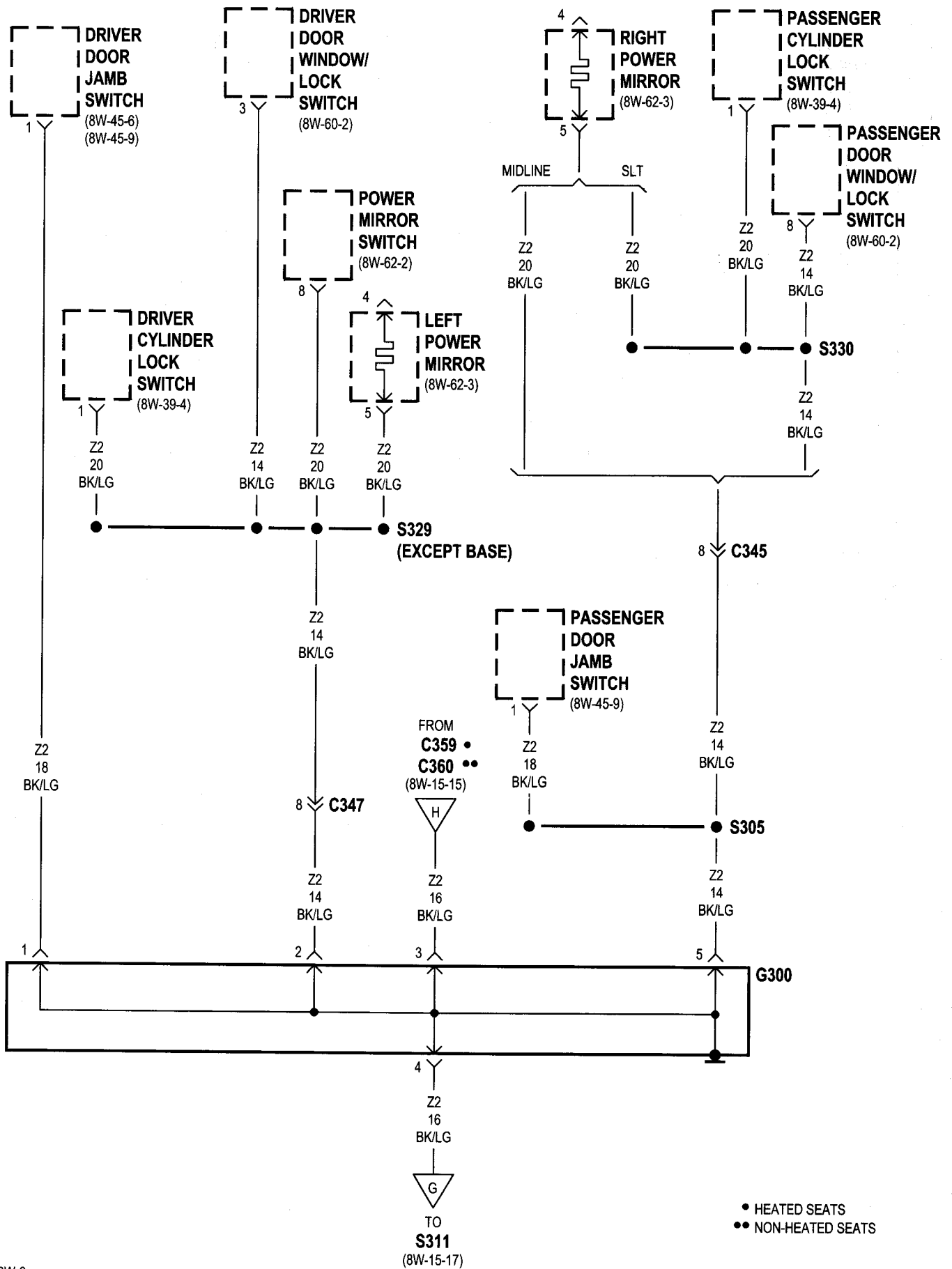




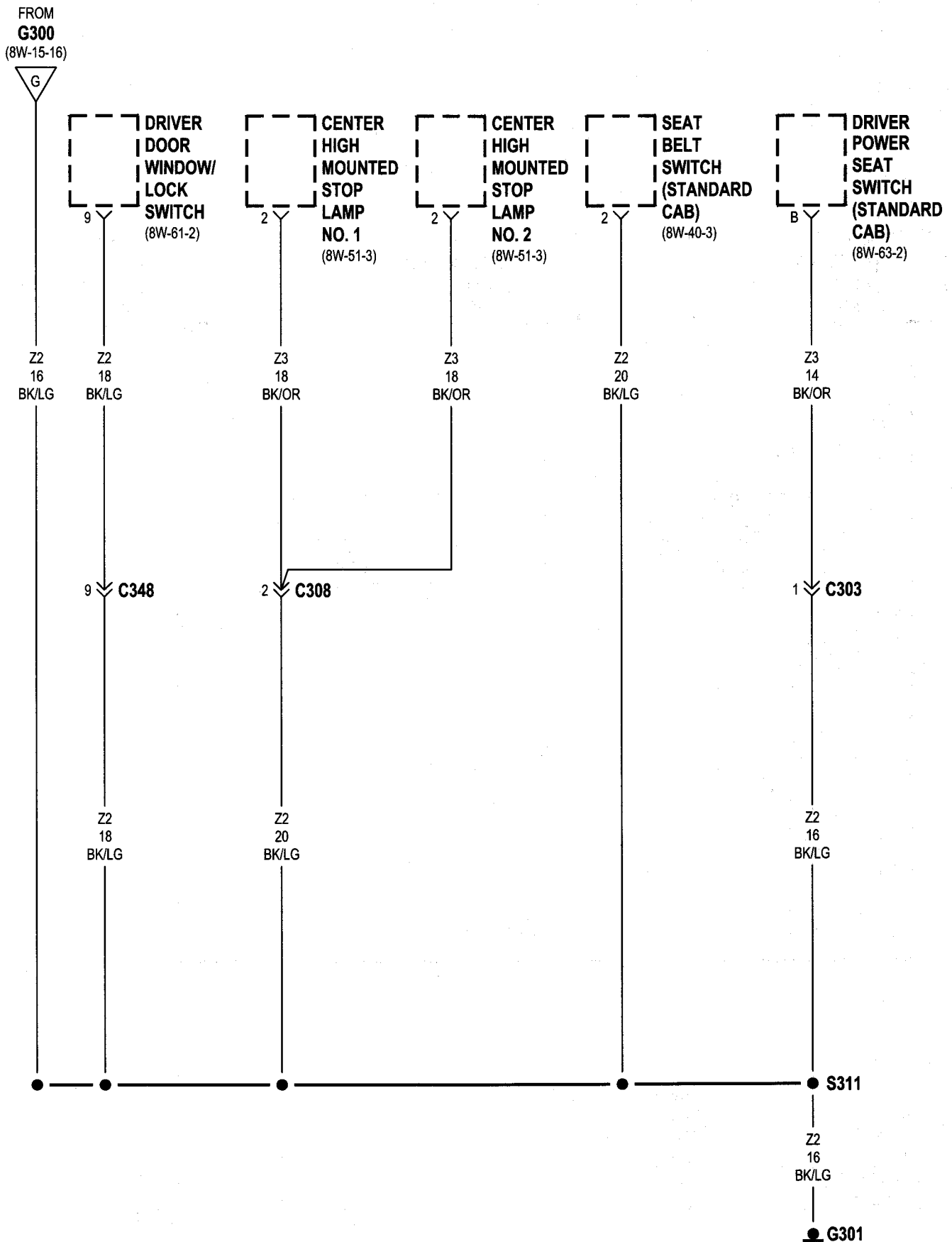
• HIGHLINE

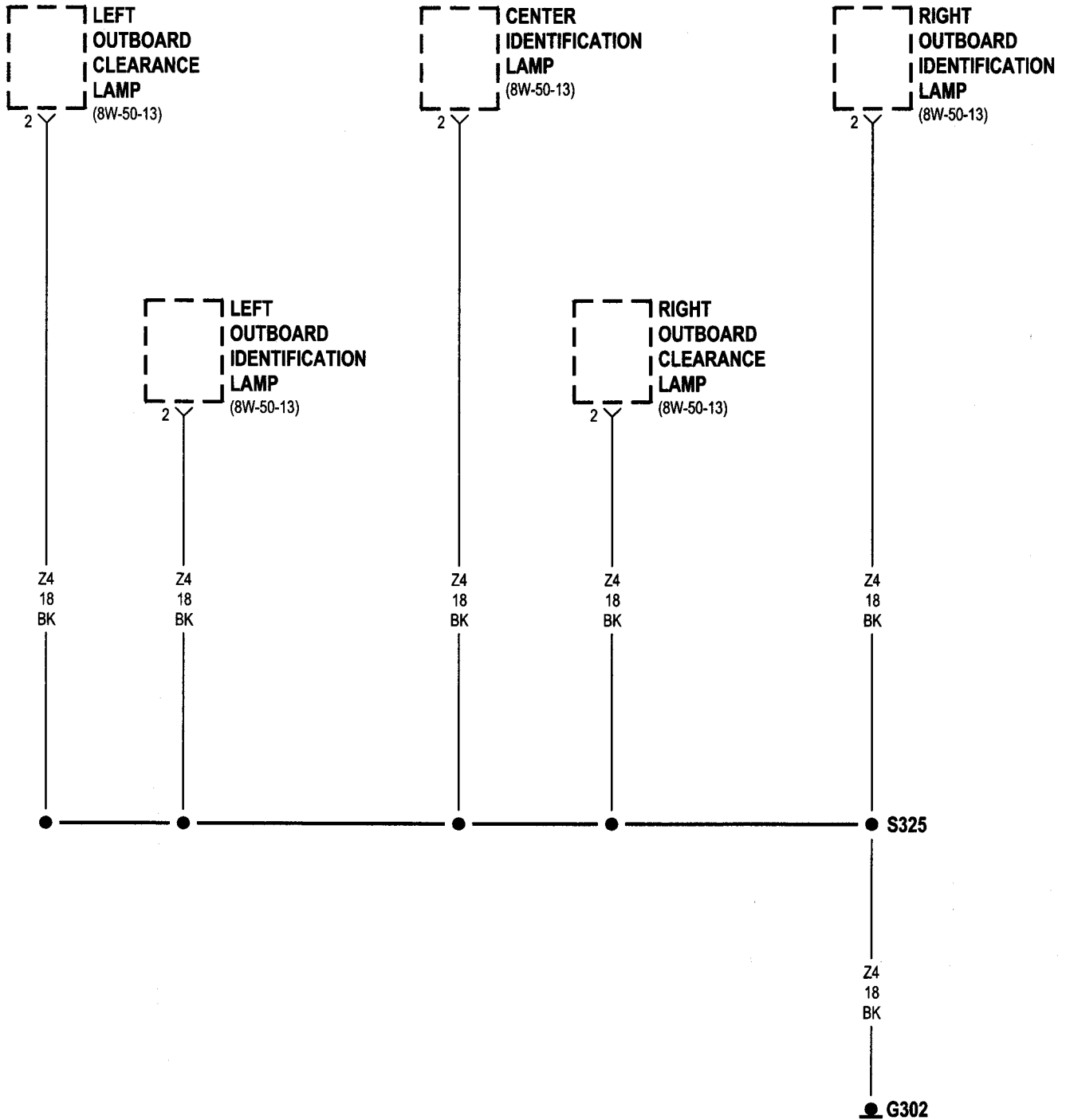






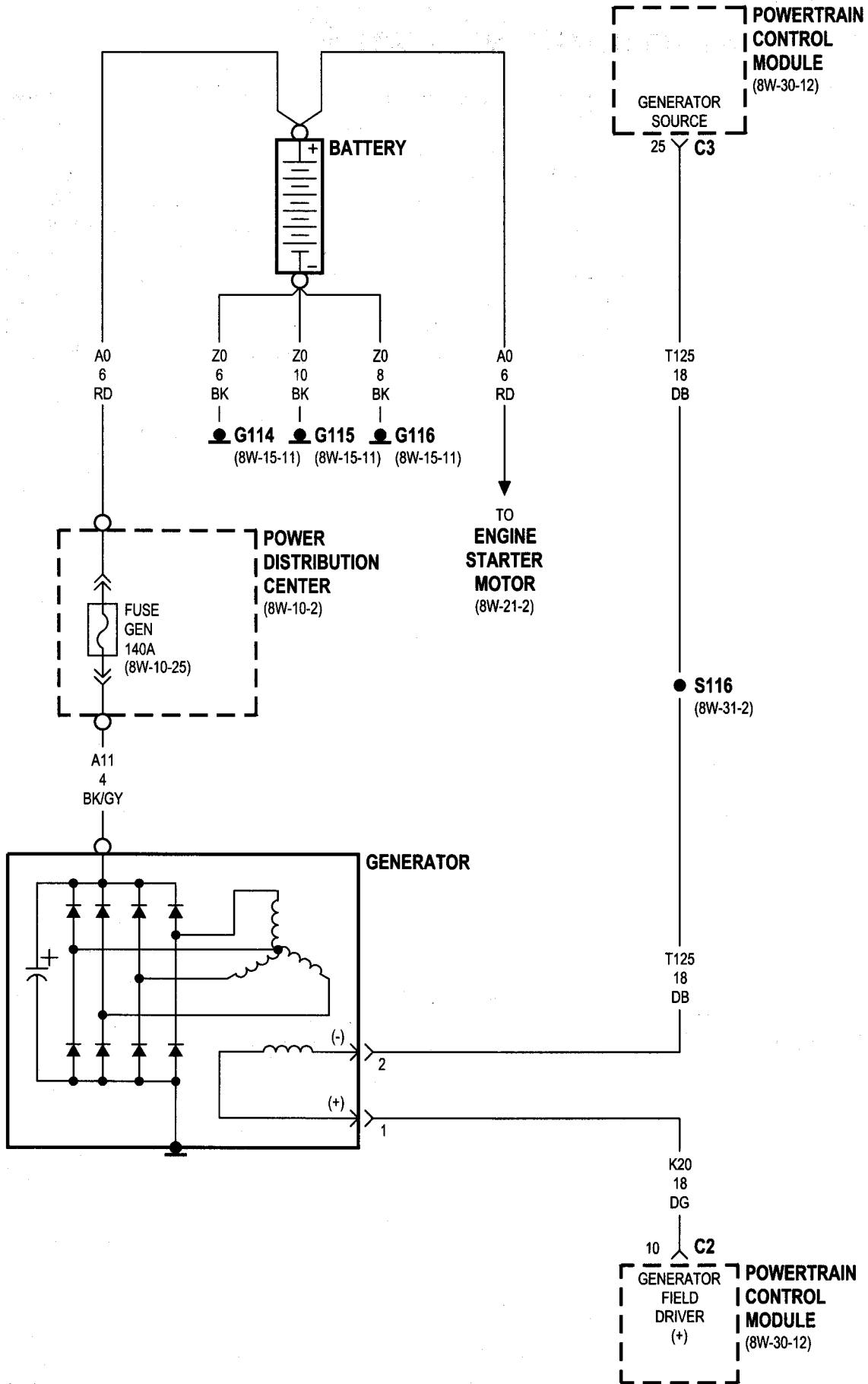
- HEATED SEATS
- NON-HEATED SEATS

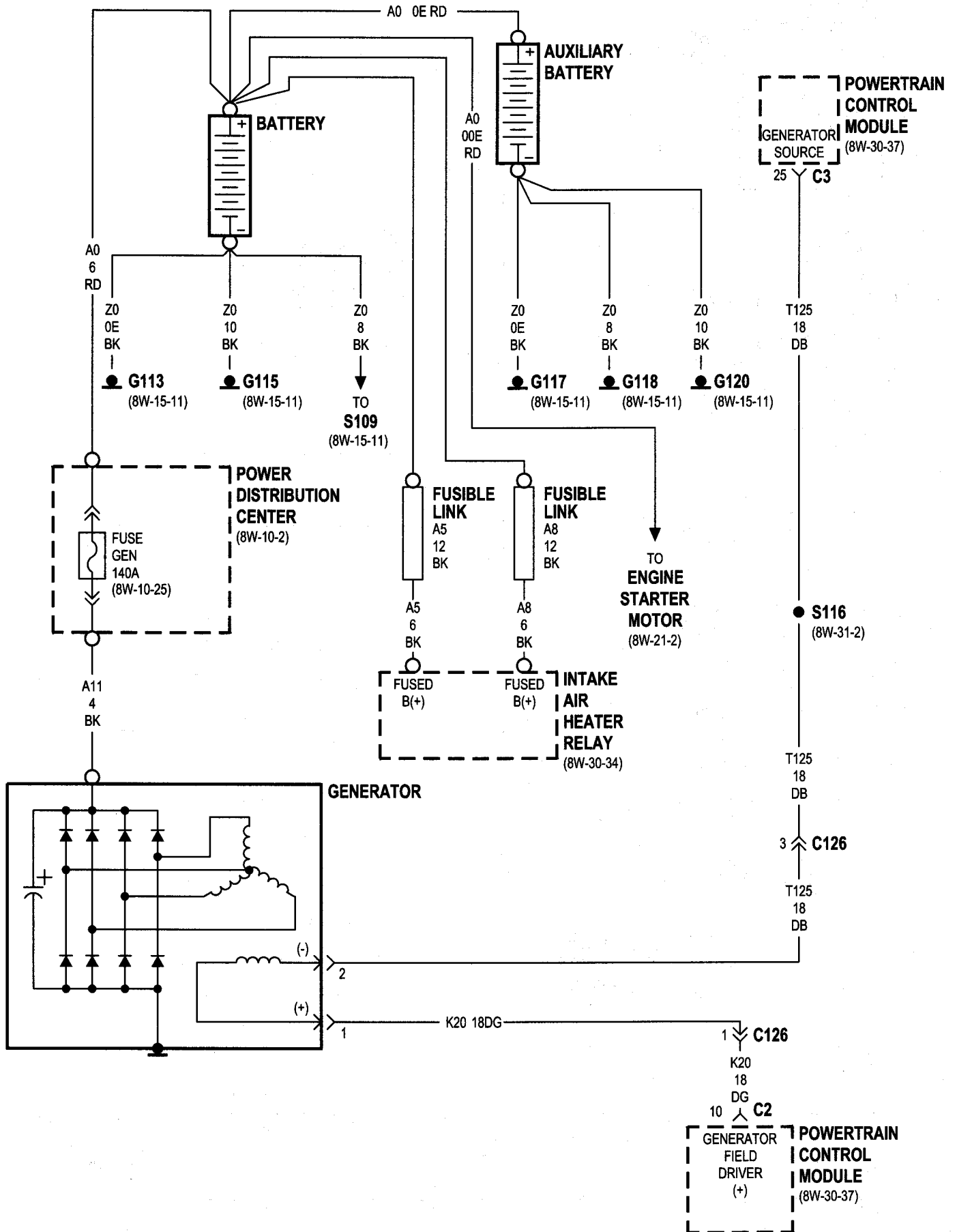




8W-20 CHARGING SYSTEM

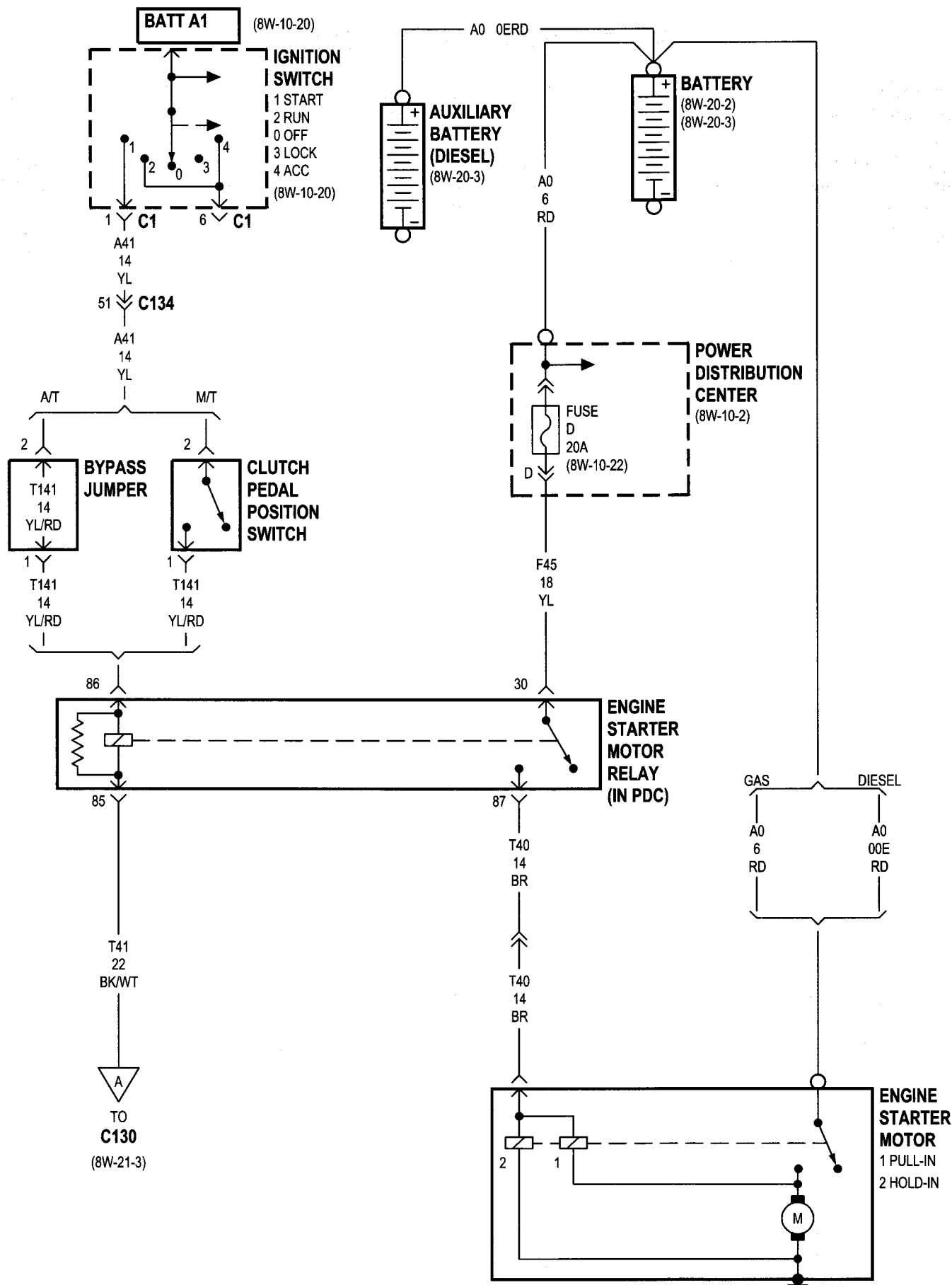
Component	Page	Component	Page
Auxiliary Battery	8W-20-3	G116	8W-20-2
Battery	8W-20-2, 3	G117	8W-20-3
Battery Temperature Sensor	8W-20-4	G118	8W-20-3
Engine Control Module	8W-20-4	G120	8W-20-3
Engine Starter Motor	8W-20-2, 3	Generator	8W-20-2, 3
Fuse 3 (PDC)	8W-20-4	Intake Air Heater Relay	8W-20-3
Fuse Gen (PDC)	8W-20-2, 3	Joint Connector No. 1	8W-20-4
Fusible Link	8W-20-3	Joint Connector No. 2	8W-20-4
G113	8W-20-3	Power Distribution Center	8W-20-2, 3, 4
G114	8W-20-2	Powertrain Control Module	8W-20-2, 3, 4
G115	8W-20-2, 3		

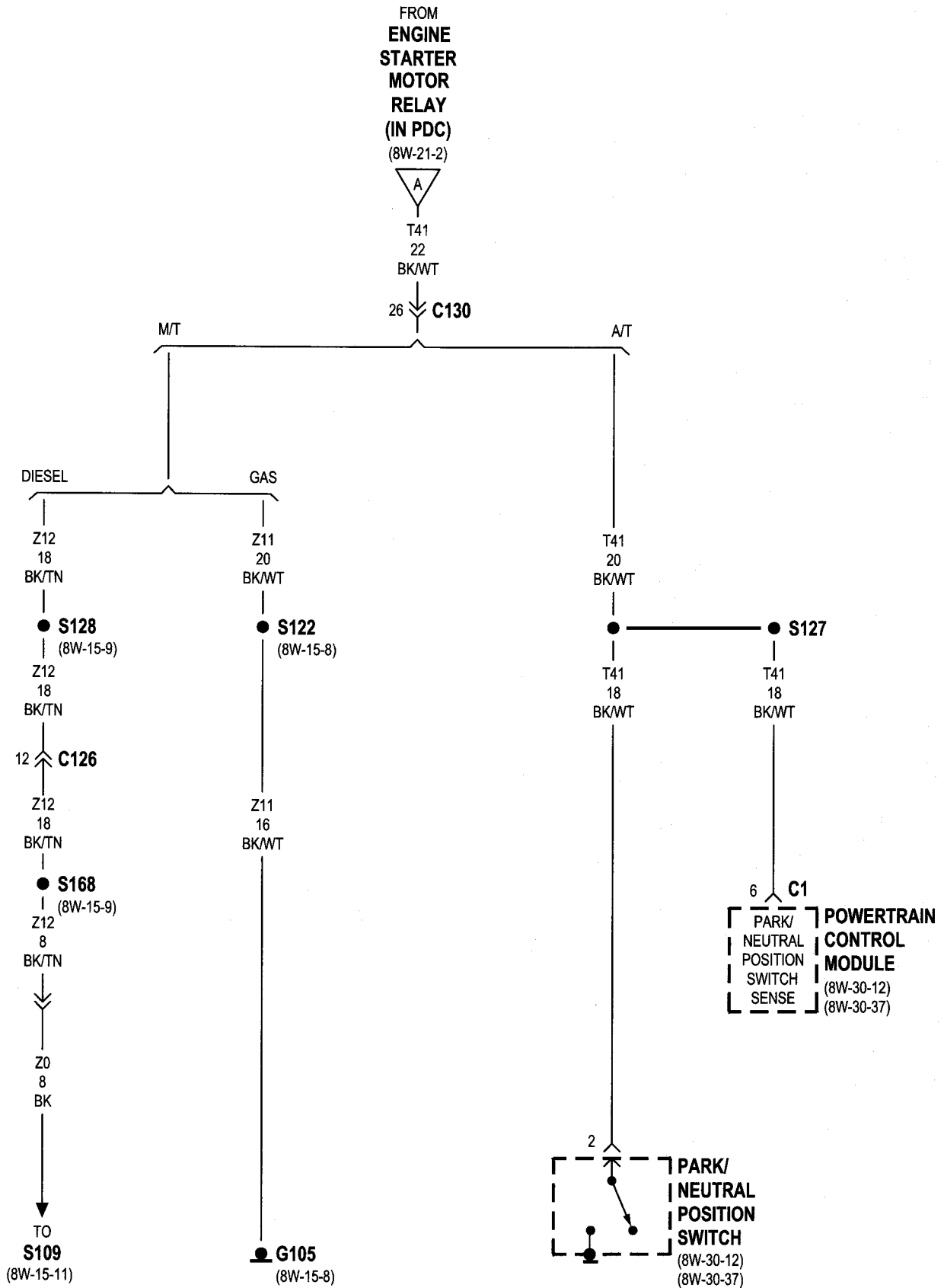


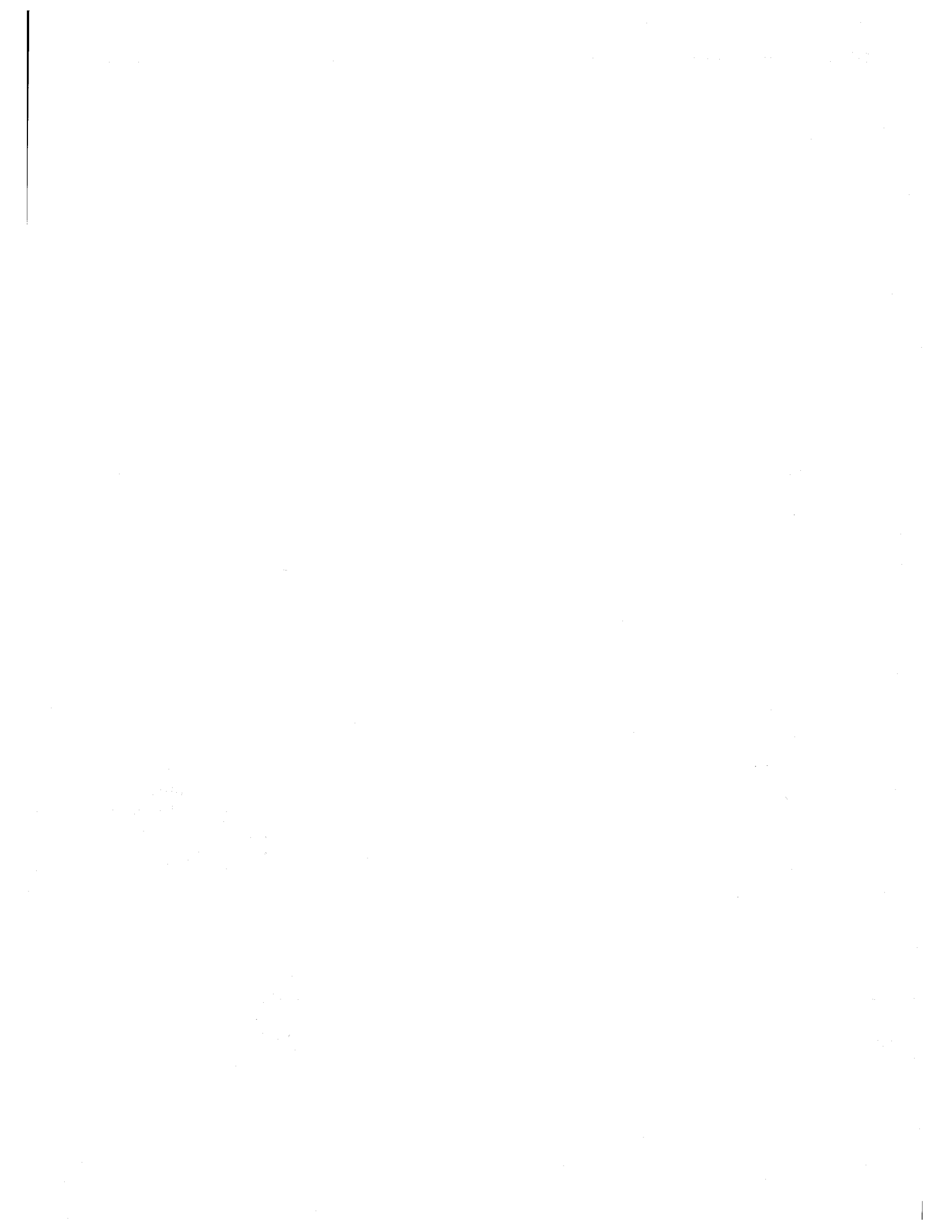


8W-21 STARTING SYSTEM

Component	Page	Component	Page
Auxiliary Battery	8W-21-2	Fuse D (PDC)	8W-21-2
Battery	8W-21-2	G105	8W-21-3
Bypass Jumper	8W-21-2	Ignition Switch	8W-21-2
Clutch Pedal Position Switch	8W-21-2	Park/Neutral Position Switch	8W-21-3
Engine Starter Motor	8W-21-2	Power Distribution Center	8W-21-2
Engine Starter Motor Relay	8W-21-2	Powertrain Control Module	8W-21-3

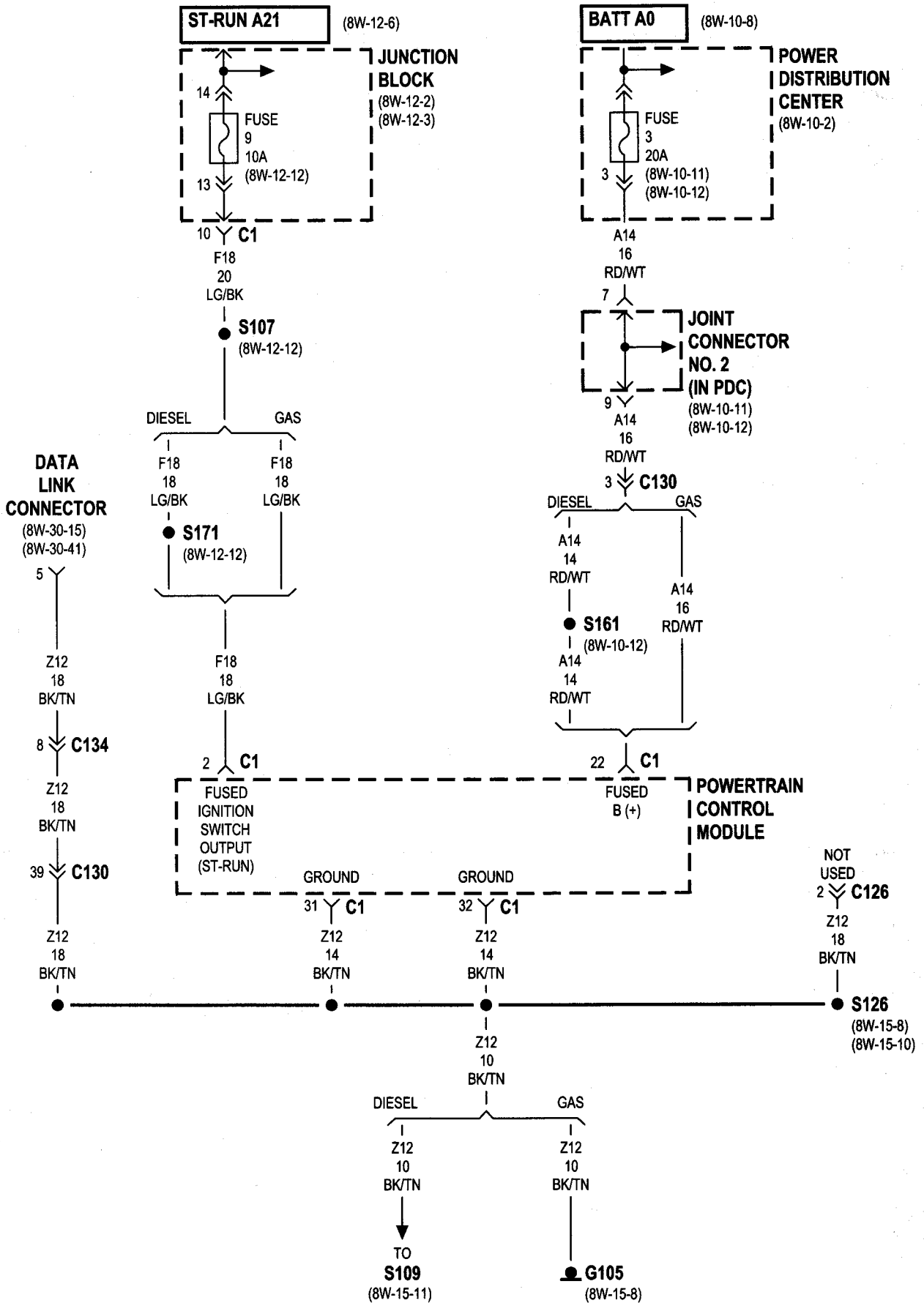


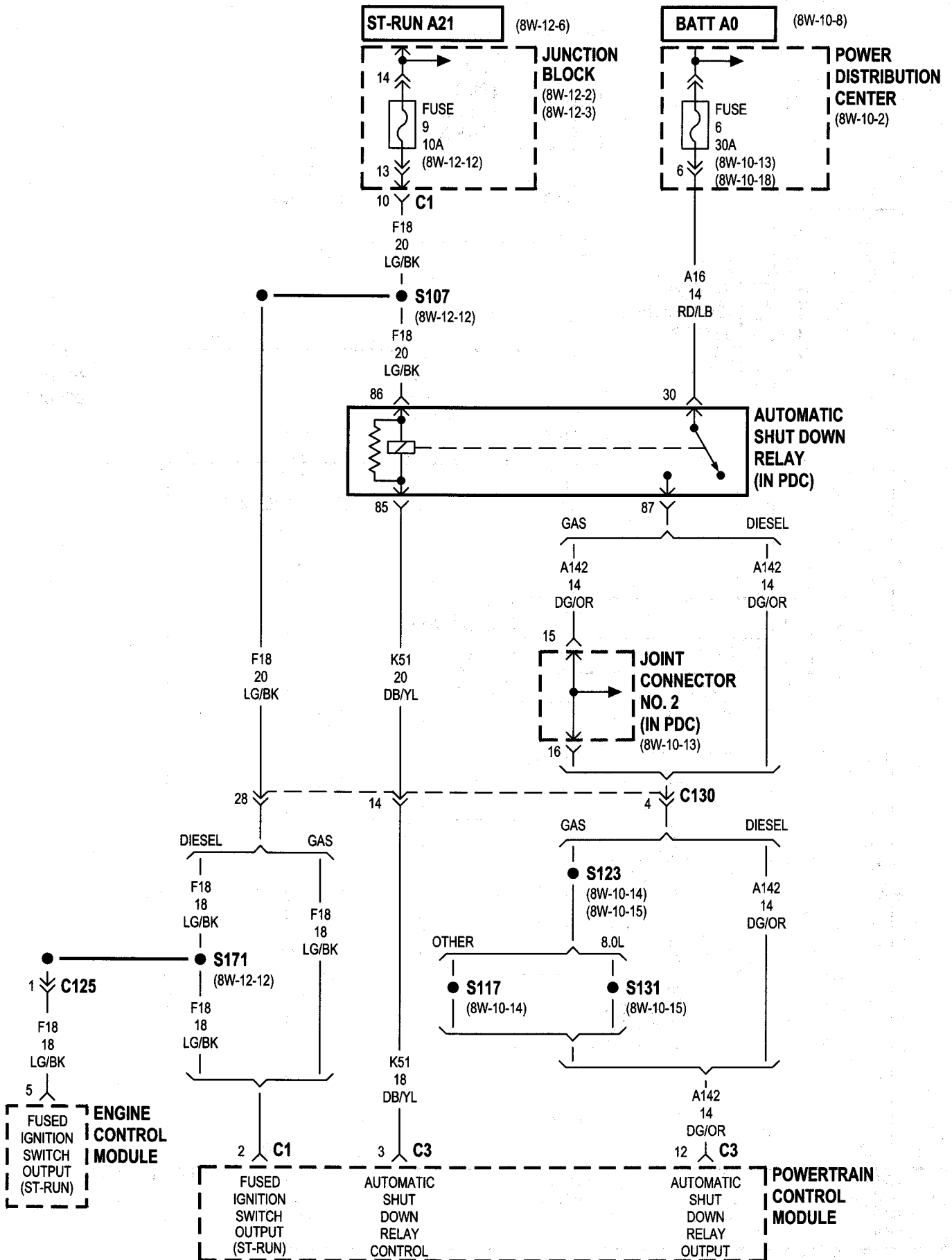


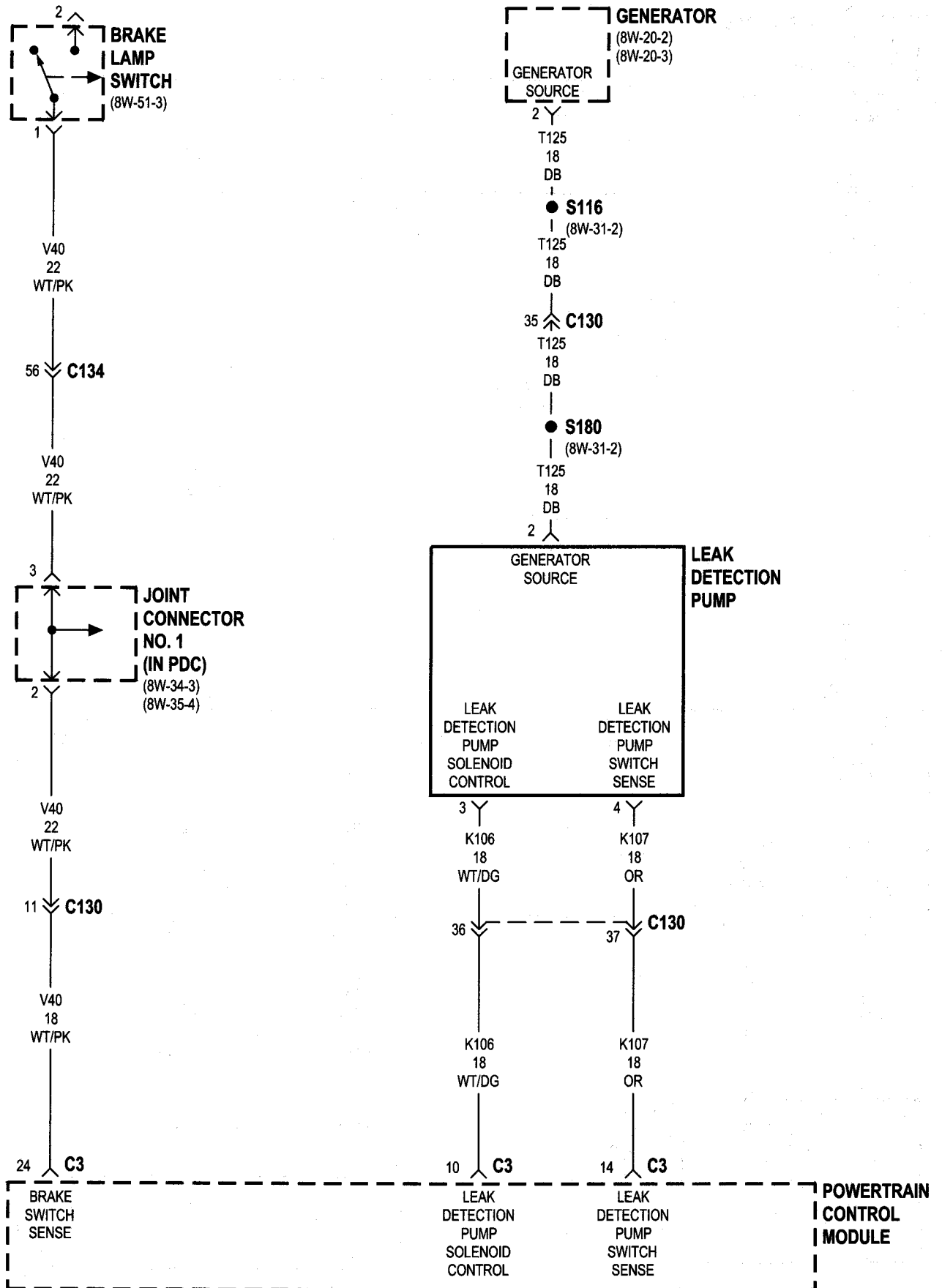


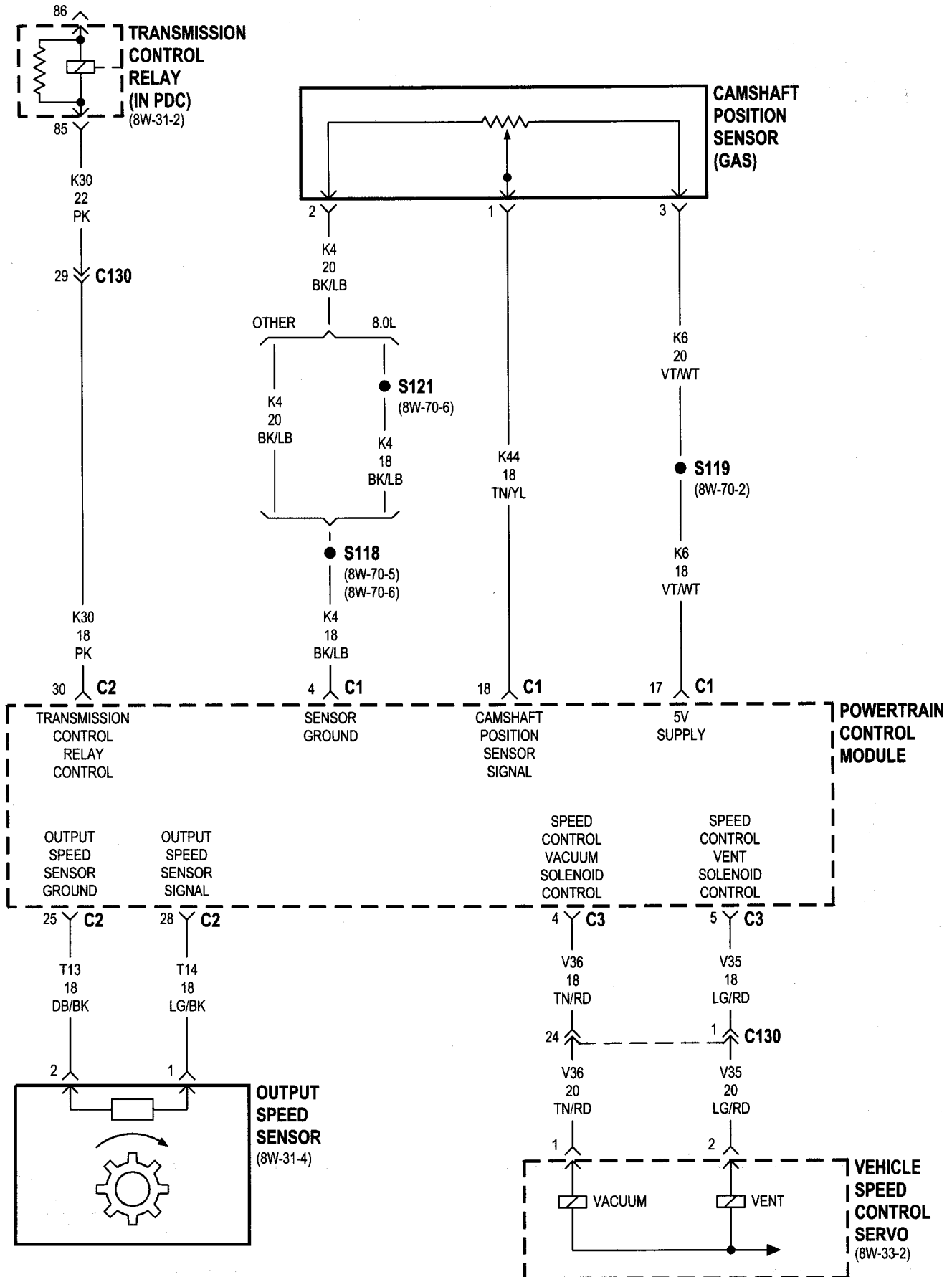
8W-30 FUEL/IGNITION SYSTEMS

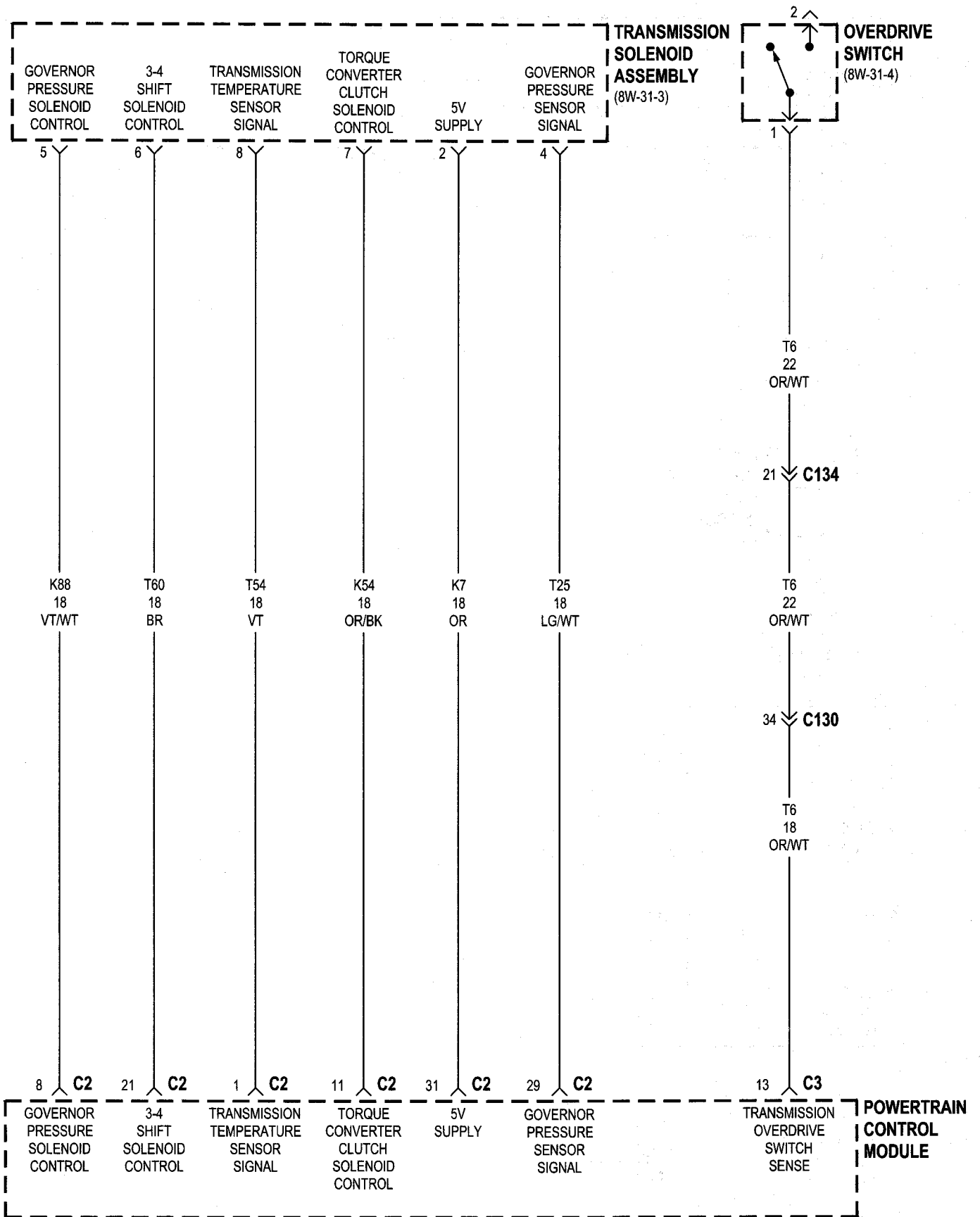
Component	Page	Component	Page
A/C Compressor Clutch Relay	8W-30-13	G107	8W-30-28, 33, 35
A/C High Pressure Switch	8W-30-13, 38	G113	8W-30-13, 33
A/C Low Pressure Switch	8W-30-13, 38	Generator	8W-30-5, 12, 37
A/C- Heater Control	8W-30-13, 38	Idle Air Control Motor	8W-30-9
Accelerator Pedal Position Sensor	8W-30-29, 39	Ignition Coil	8W-30-20
Airbag Control Module	8W-30-14, 40	Ignition Coil 4-Pack	8W-30-27
Automatic Shut Down		Ignition Coil 6-Pack	8W-30-27
Relay	8W-30-3, 16, 17, 19, 20, 23, 24, 25, 26, 27	Instrument Cluster	8W-30-14, 33, 40
Battery	8W-30-34	Intake Air Heater	8W-30-34
Battery Temperature Sensor	8W-30-4	Intake Air Heater Relay	8W-30-34
Brake Lamp Switch	8W-30-5, 8	Intake Air Temperature Sensor	8W-30-10, 31, 39
Camshaft Position Sensor	8W-30-6	Joint Connector No. 1	8W-30-4, 5, 8, 35, 36
Central Timer Module	8W-30-14, 40	Joint Connector No. 2	8W-30-2, 3, 11, 16, 17, 18, 19, 20, 23, 24, 25, 26, 27, 28, 34, 36
Clockspring No. 1	8W-30-8	Joint Connector No. 5	8W-30-15, 41
Controller Anti-Lock Brake	8W-30-12, 14, 37, 40	Joint Connector No. 7	8W-30-14, 15, 40, 41
Crankshaft Position Sensor	8W-30-12, 31	Junction Block	8W-30-2, 3, 11, 12, 15, 21, 35, 41
Cummins Bus	8W-30-28	Leak Detection Pump	8W-30-5
Data Link Connector	8W-30-2, 14, 15, 40, 41	Manifold Absolute Pressure	
Duty Cycle Evap/Purge Solenoid	8W-30-12	Sensor	8W-30-10, 32, 39
Engine Control Module	8W-30-3, 28, 29, 30, 31, 32, 33, 34, 35, 36, 38, 39, 40, 41	Output Speed Sensor	8W-30-6
Engine Coolant Temperature		Overdrive Switch	8W-30-7
Sensor	8W-30-9, 33, 39	Overhead Console	8W-30-14, 40
Engine Oil Pressure Sensor	8W-30-12, 32, 39	Oxygen Sensor 1/1 Left Bank Up	8W-30-17, 22, 24
Fuel Heater	8W-30-35	Oxygen Sensor 1/1 Upstream	8W-30-16
Fuel Heater Relay	8W-30-35	Oxygen Sensor 1/2 Downstream	8W-30-16
Fuel Injection Pump	8W-30-30, 36	Oxygen Sensor 1/2 Left Bank Down	8W-30-22
Fuel Injector No. 1	8W-30-18, 25	Oxygen Sensor 1/2 Pre- Catalyst	8W-30-23
Fuel Injector No. 2	8W-30-19, 26	Oxygen Sensor 1/3 Post- Catalyst	8W-30-23
Fuel Injector No. 3	8W-30-18, 25	Oxygen Sensor 2/1 Right Bank Up	8W-30-17, 22, 24
Fuel Injector No. 4	8W-30-19, 26	Oxygen Sensor 2/2 Right Bank Down	8W-30-22
Fuel Injector No. 5	8W-30-18, 25	Oxygen Sensor Downstream Relay	8W-30-21
Fuel Injector No. 6	8W-30-19, 26	Oxygen Sensor Upstream Relay	8W-30-21
Fuel Injector No. 7	8W-30-18, 25	Park/Neutral Position Switch	8W-30-12, 37
Fuel Injector No. 8	8W-30-19, 26	Power Distribution Center	8W-30-2, 3, 11, 16, 17, 18, 19, 20, 23, 24, 25, 26, 27, 28, 35, 36
Fuel Injector No. 9	8W-30-25	Powertrain Control Module	8W-30-2, 3, 4, 5, 6, 7, 8, 9, 10, 11, 12, 13, 14, 15, 16, 17, 18, 19, 20, 21, 22, 23, 24, 25, 26, 27, 35, 37, 38, 40, 41
Fuel Injector No. 10	8W-30-26	Pto Switch	8W-30-13, 33
Fuel Pump Module	8W-30-4, 11	Radio	8W-30-14, 40
Fuel Pump Relay	8W-30-4, 11, 30, 36	Throttle Position Sensor	8W-30-13
Fuel Transfer Pump	8W-30-33	Transmission Control Relay	8W-30-6
Fuse 3 (PDC)	8W-30-2, 11, 28, 36	Transmission Solenoid Assembly	8W-30-7, 13, 38
Fuse 6 (PDC)	8W-30-3	Vehicle Speed Control Servo	8W-30-6
Fuse 7 (PDC)	8W-30-35	Vehicle Speed Control/Horn Switch	8W-30-8
Fuse 9 (JB)	8W-30-2, 3, 11, 21, 35	Water In Fuel Sensor	8W-30-33, 39
Fuse 11 (JB)	8W-30-12, 35		
Fuse 12 (JB)	8W-30-15, 41		
Fuse K (PDC)	8W-30-16, 17, 23, 24, 34		
Fusible Link	8W-30-34		
G100	8W-30-4		
G102	8W-30-35, 36		
G105	8W-30-2, 15, 16, 17, 22, 23, 24		

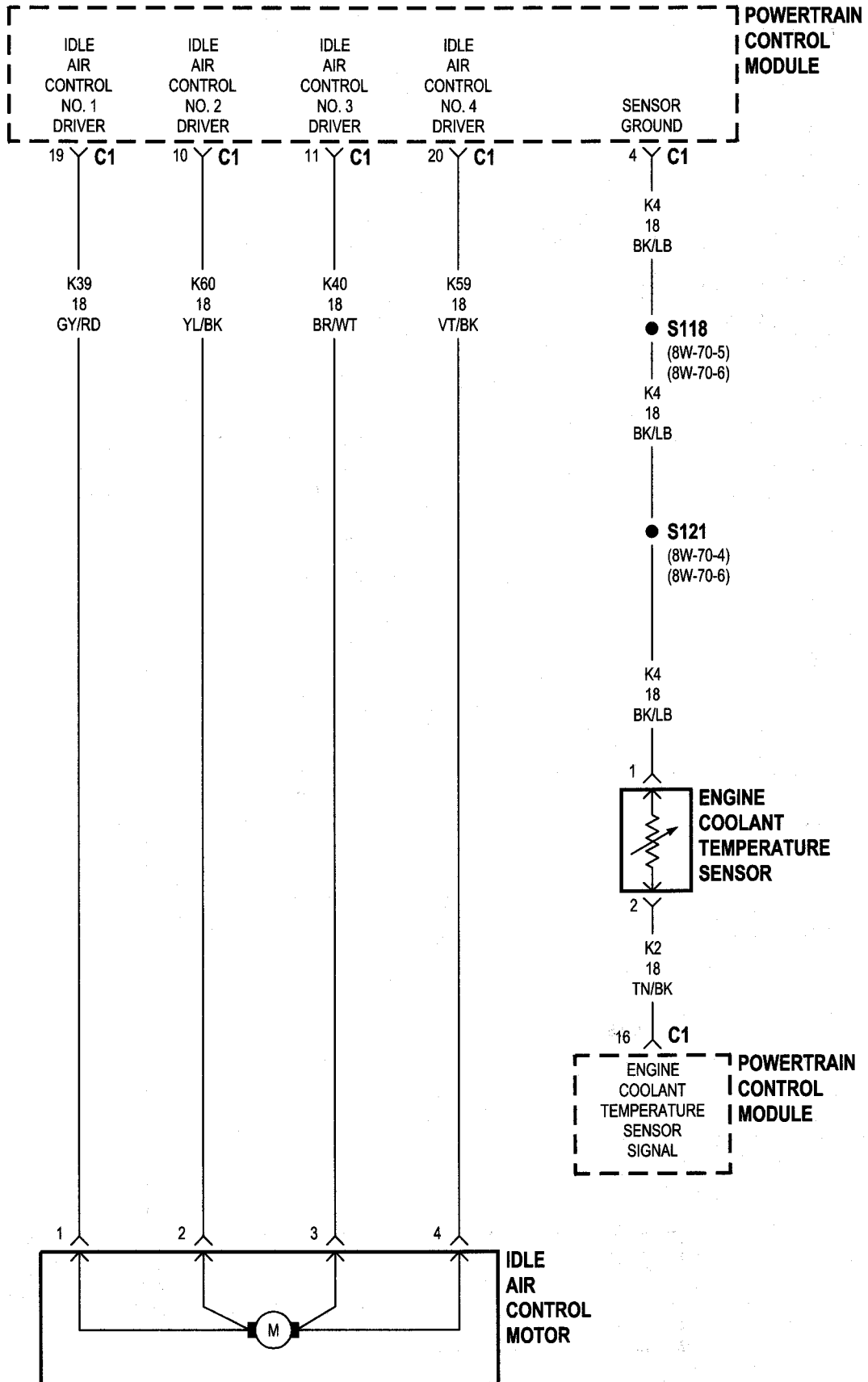


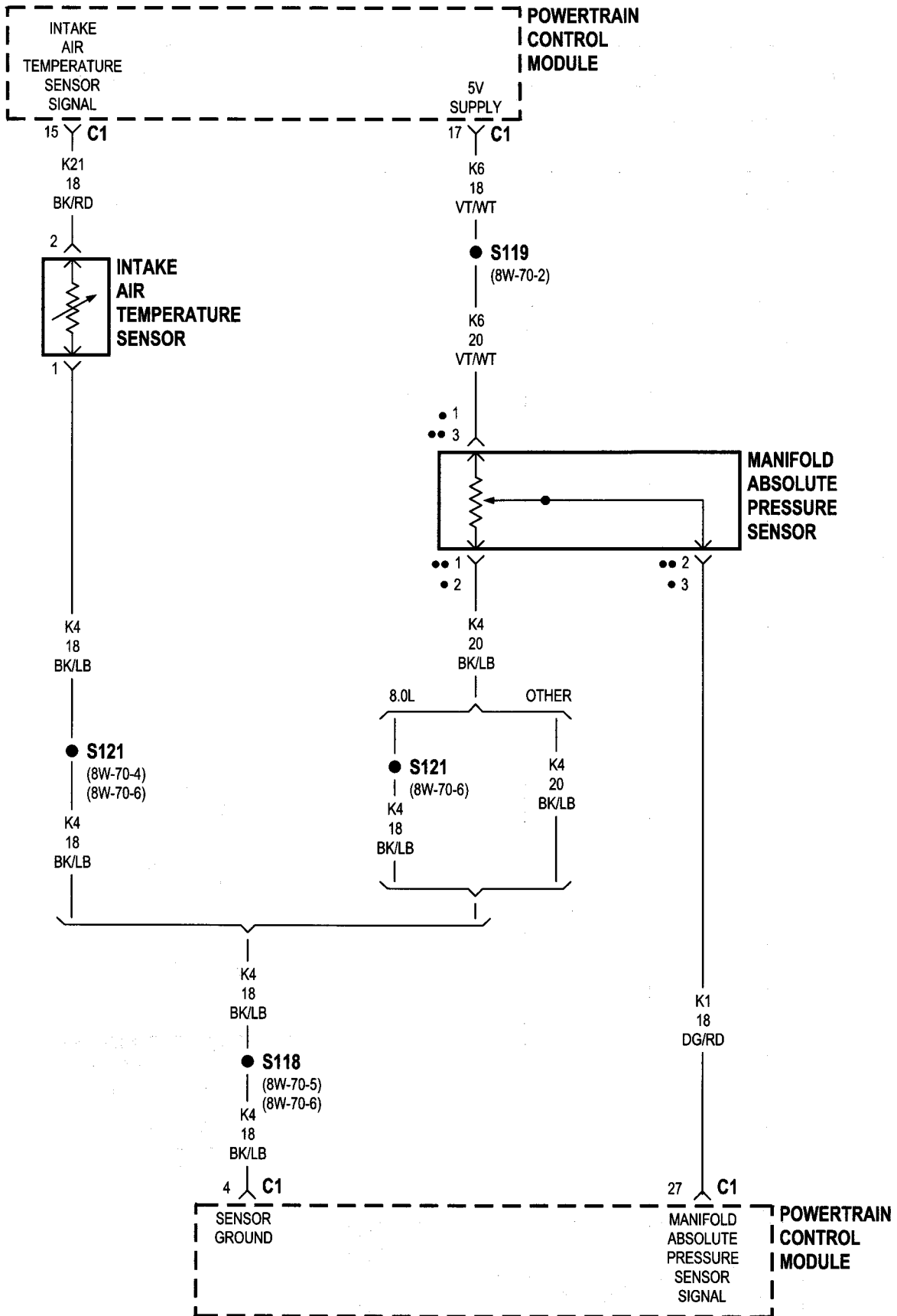




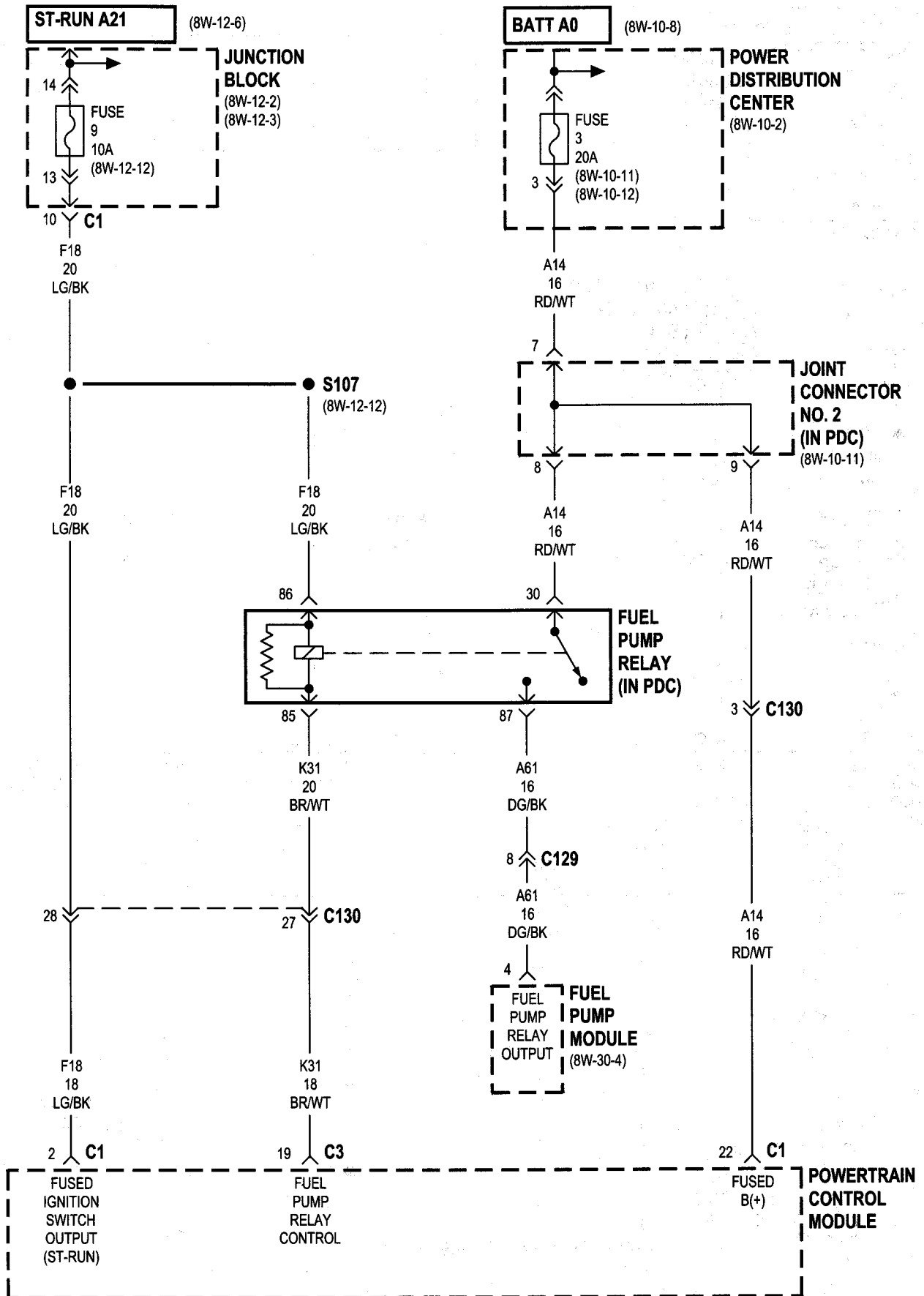


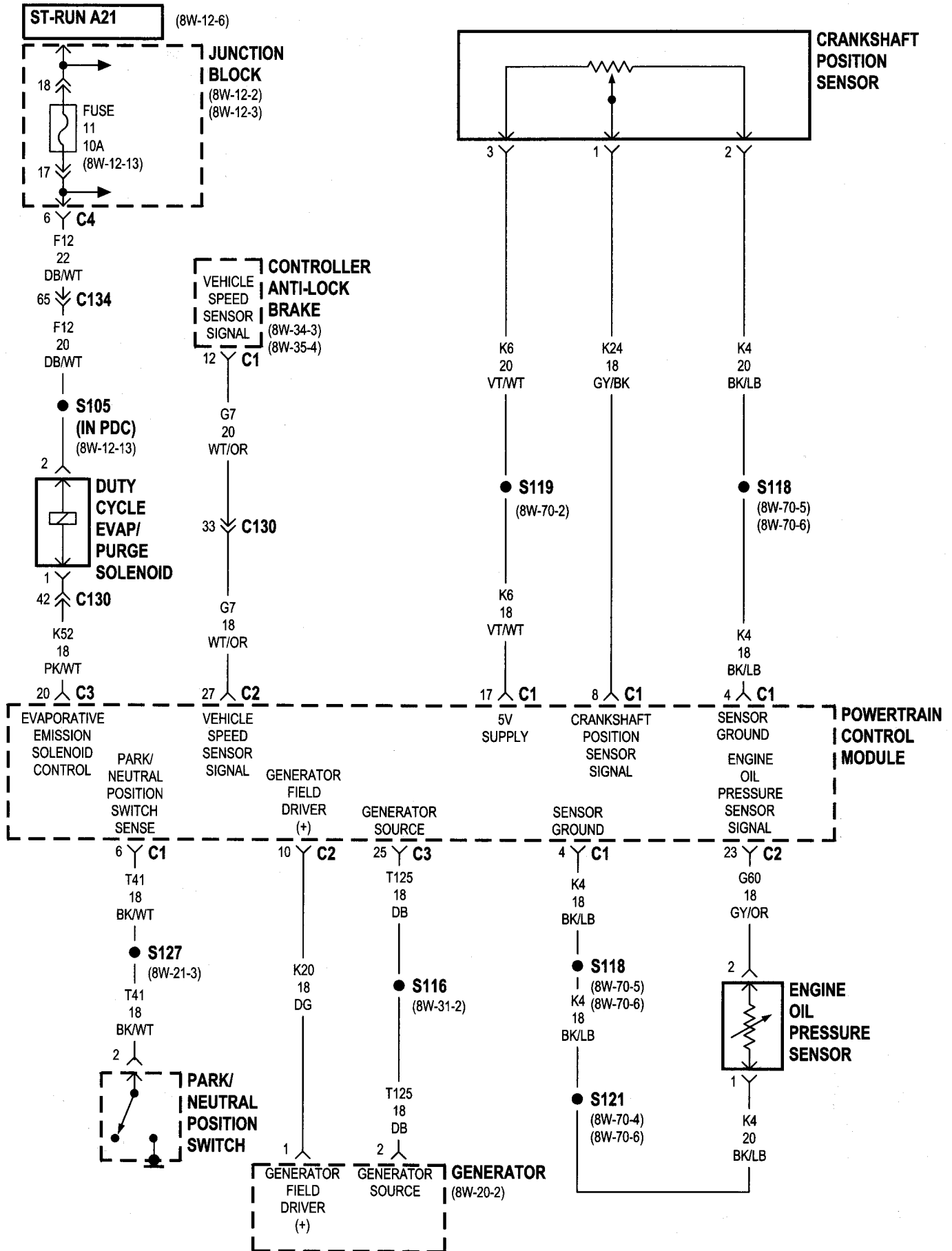


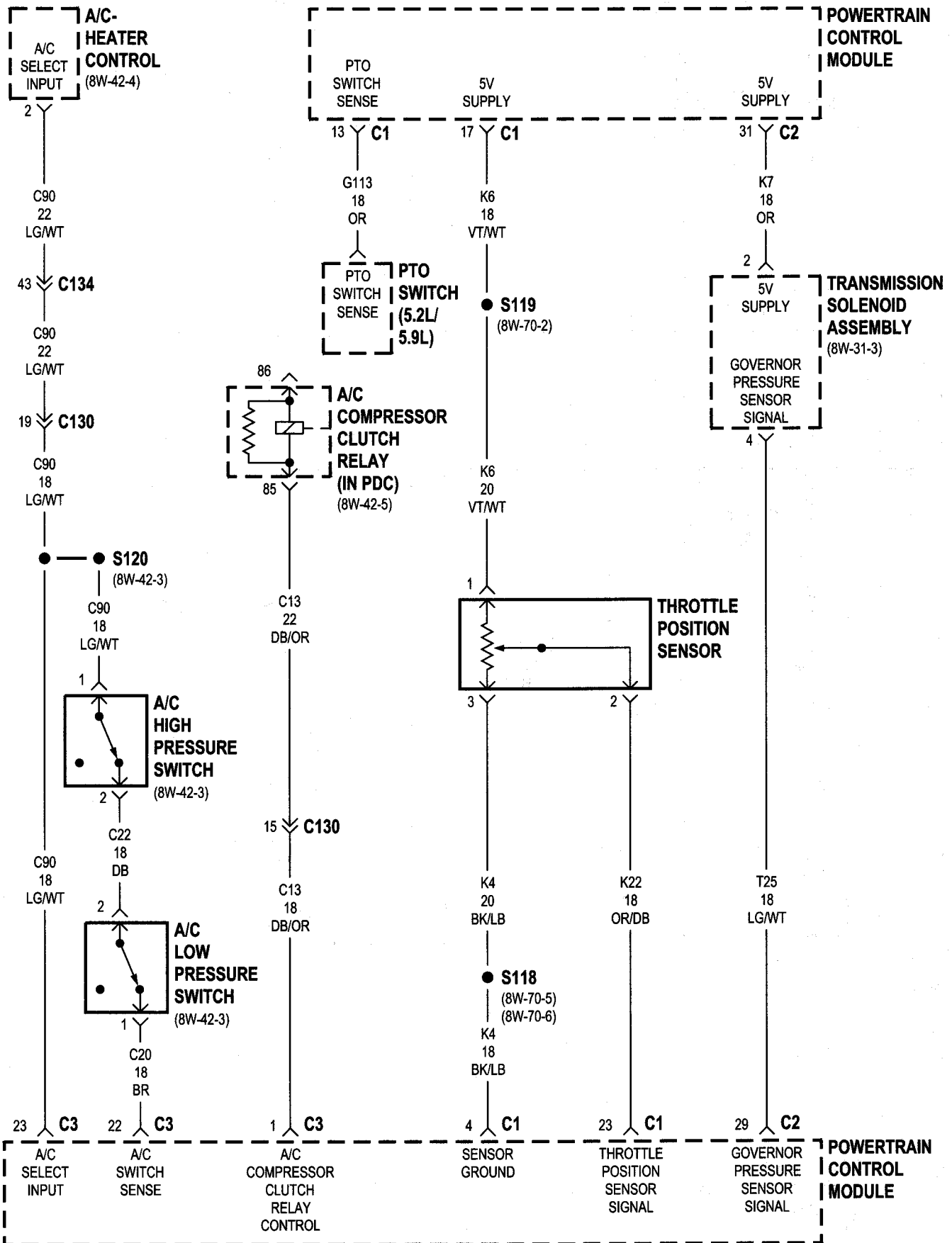


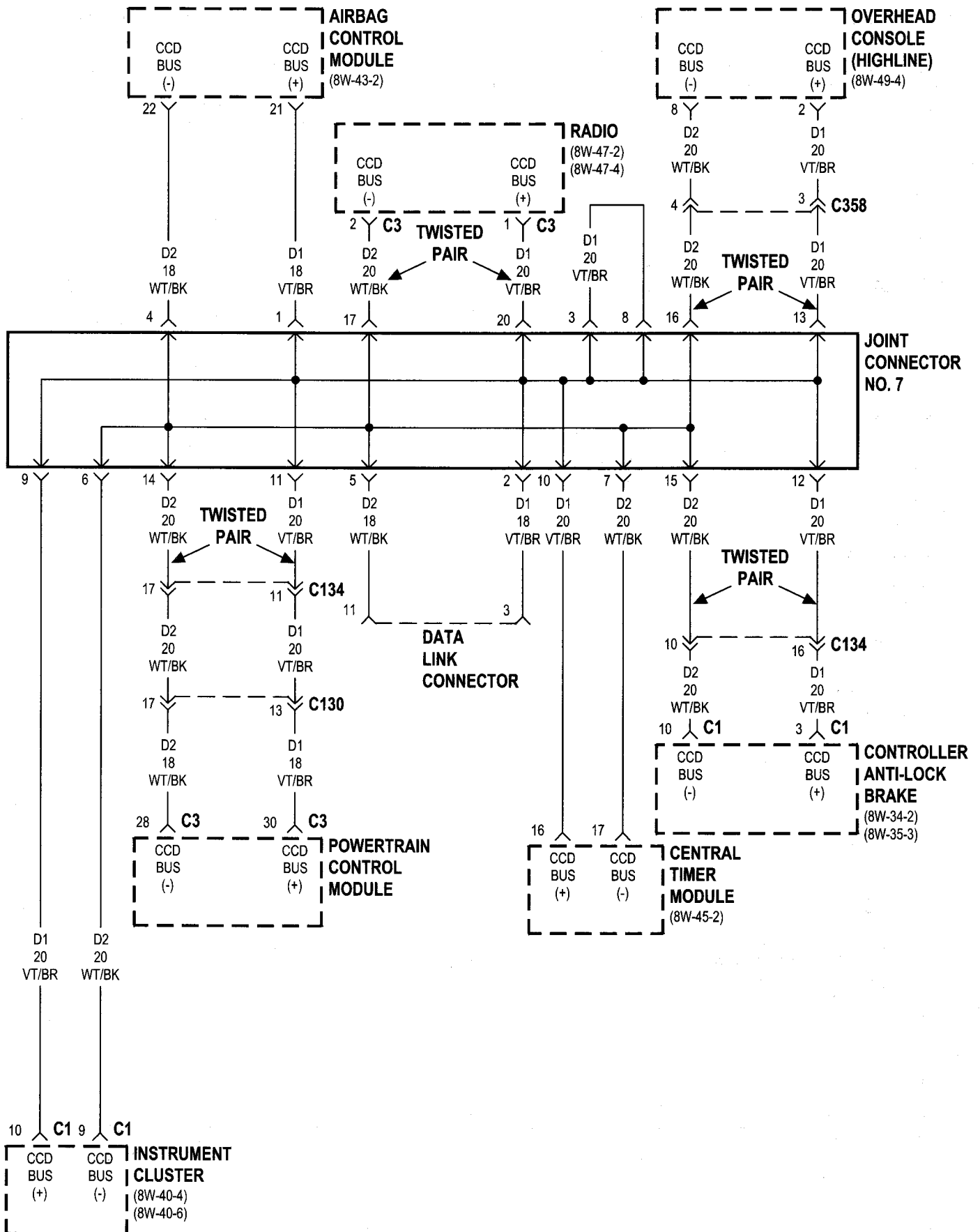


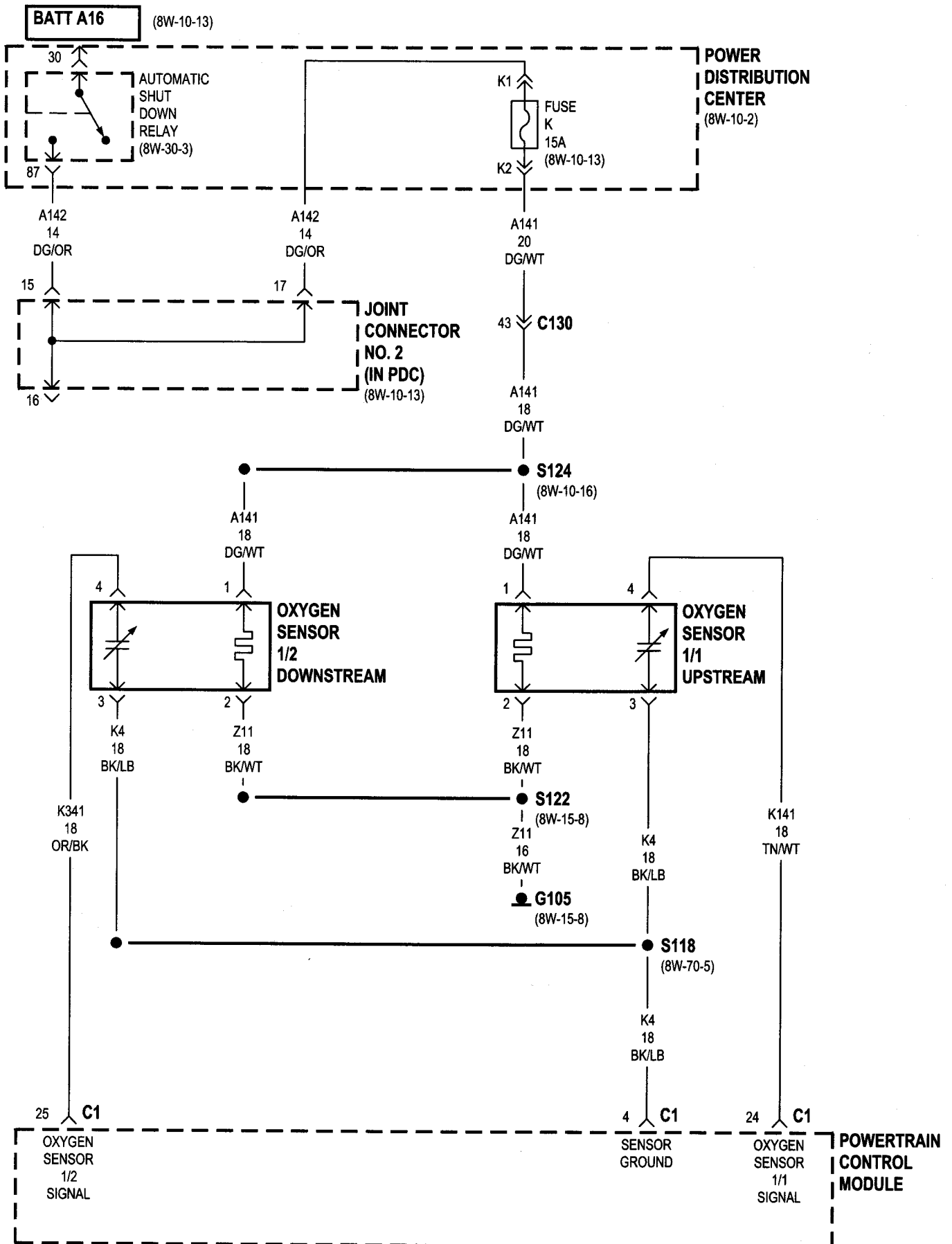
• 8.0L
•• EXCEPT 8.0L

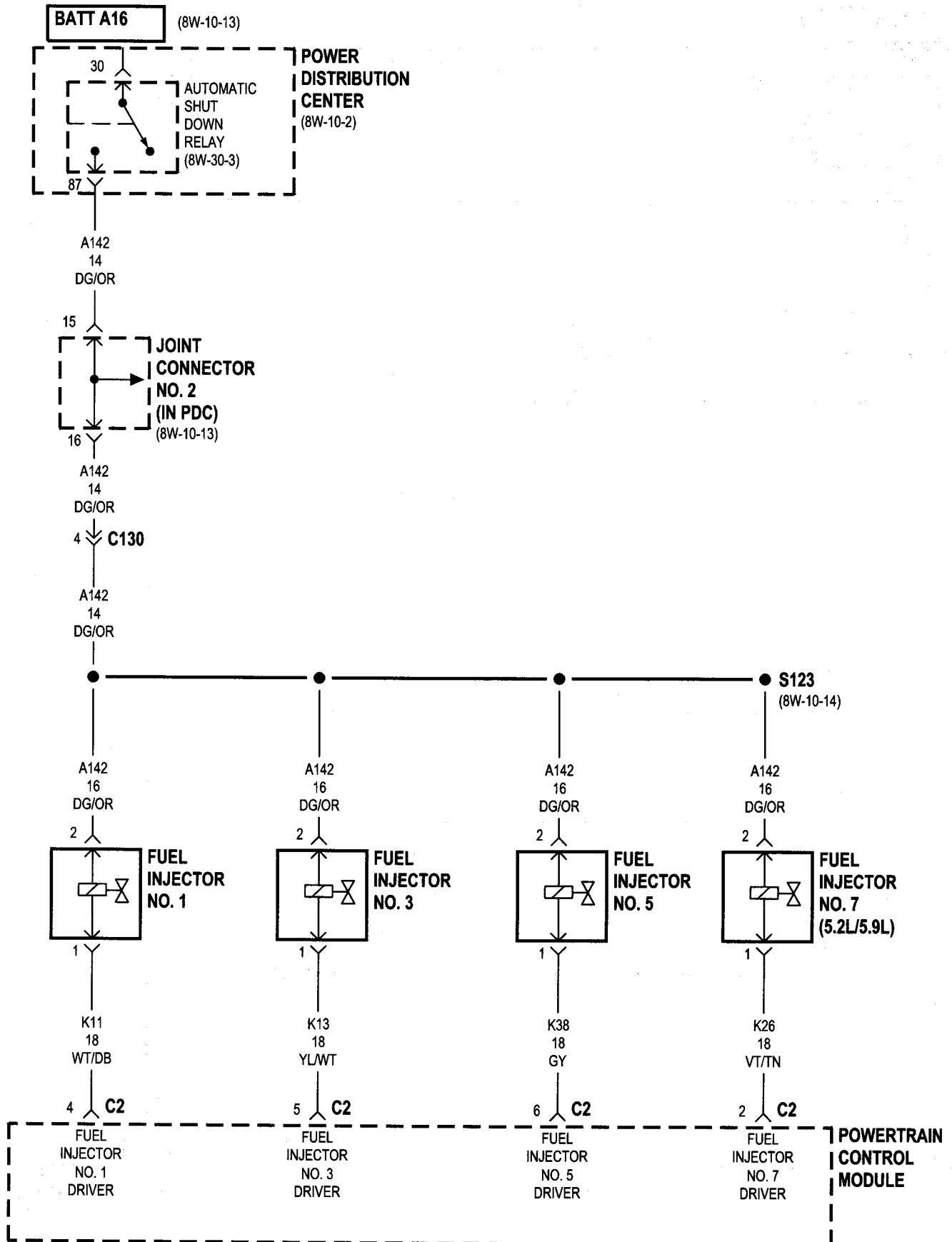


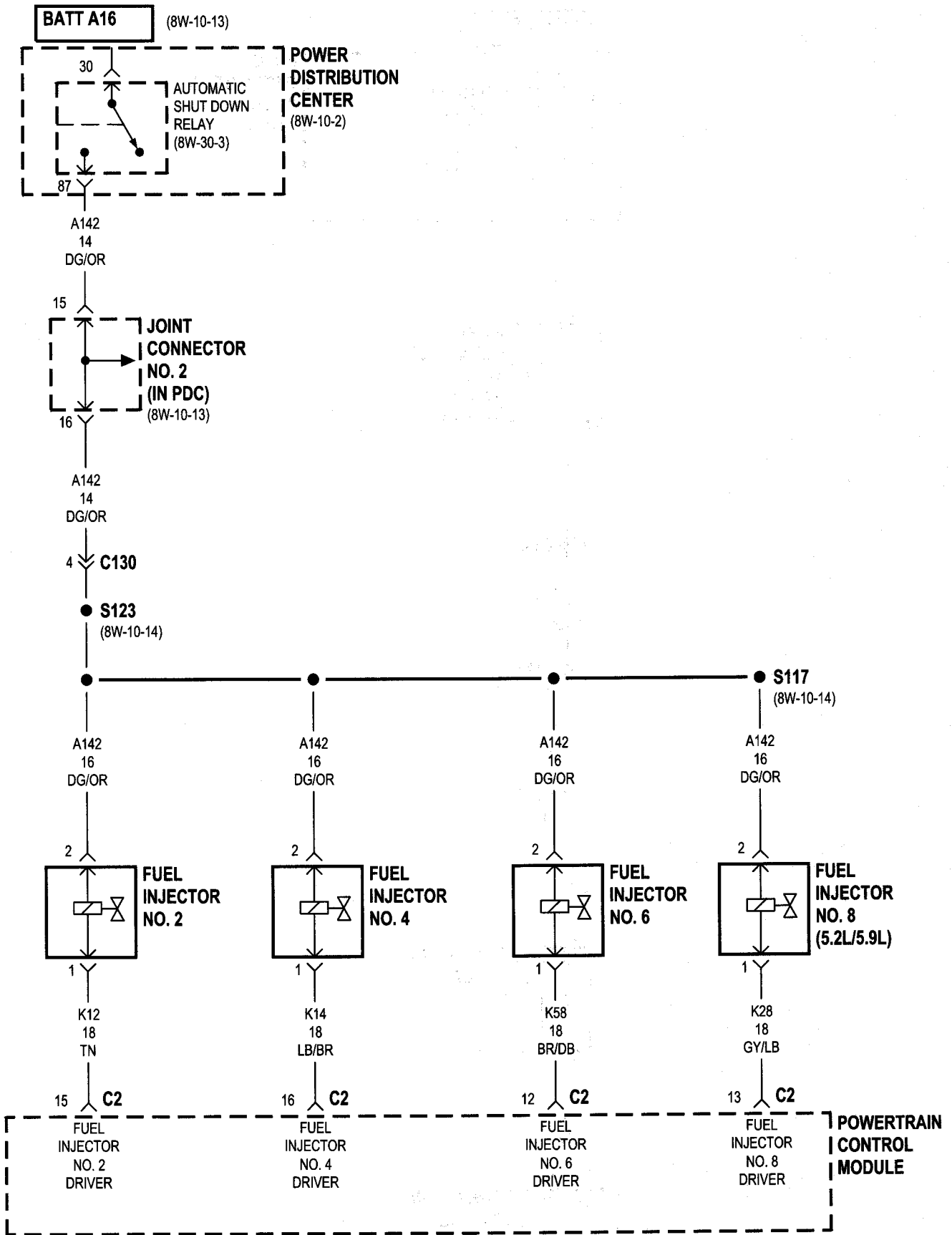


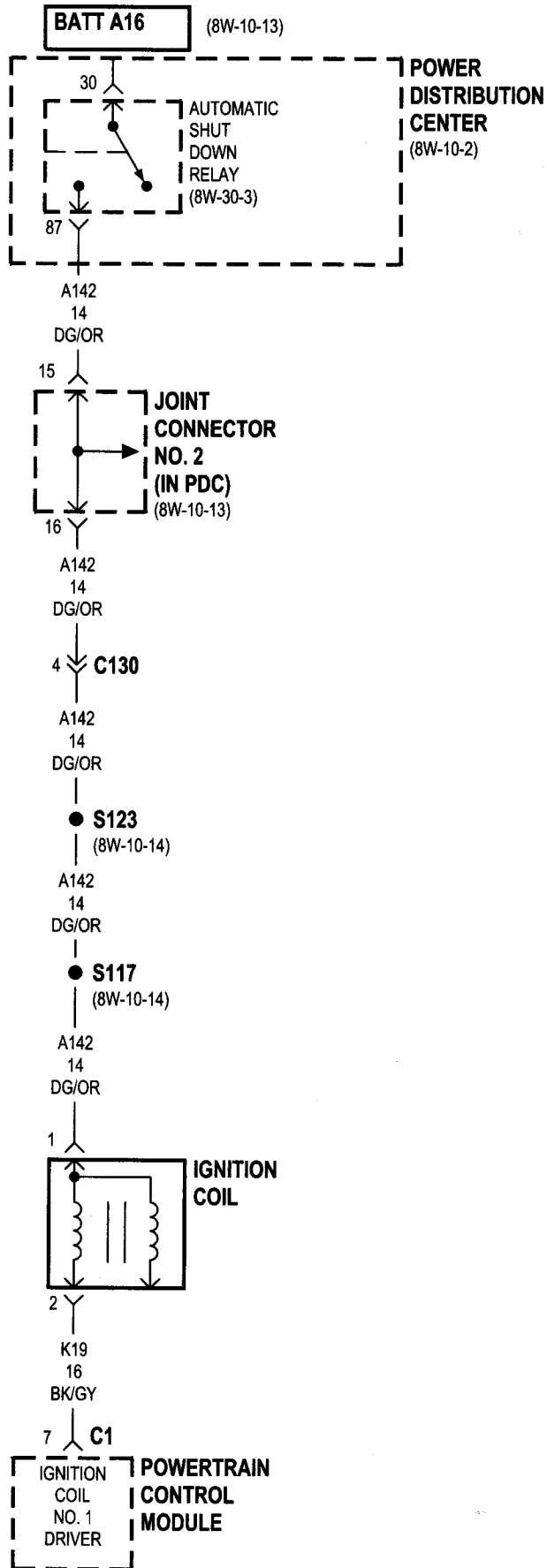


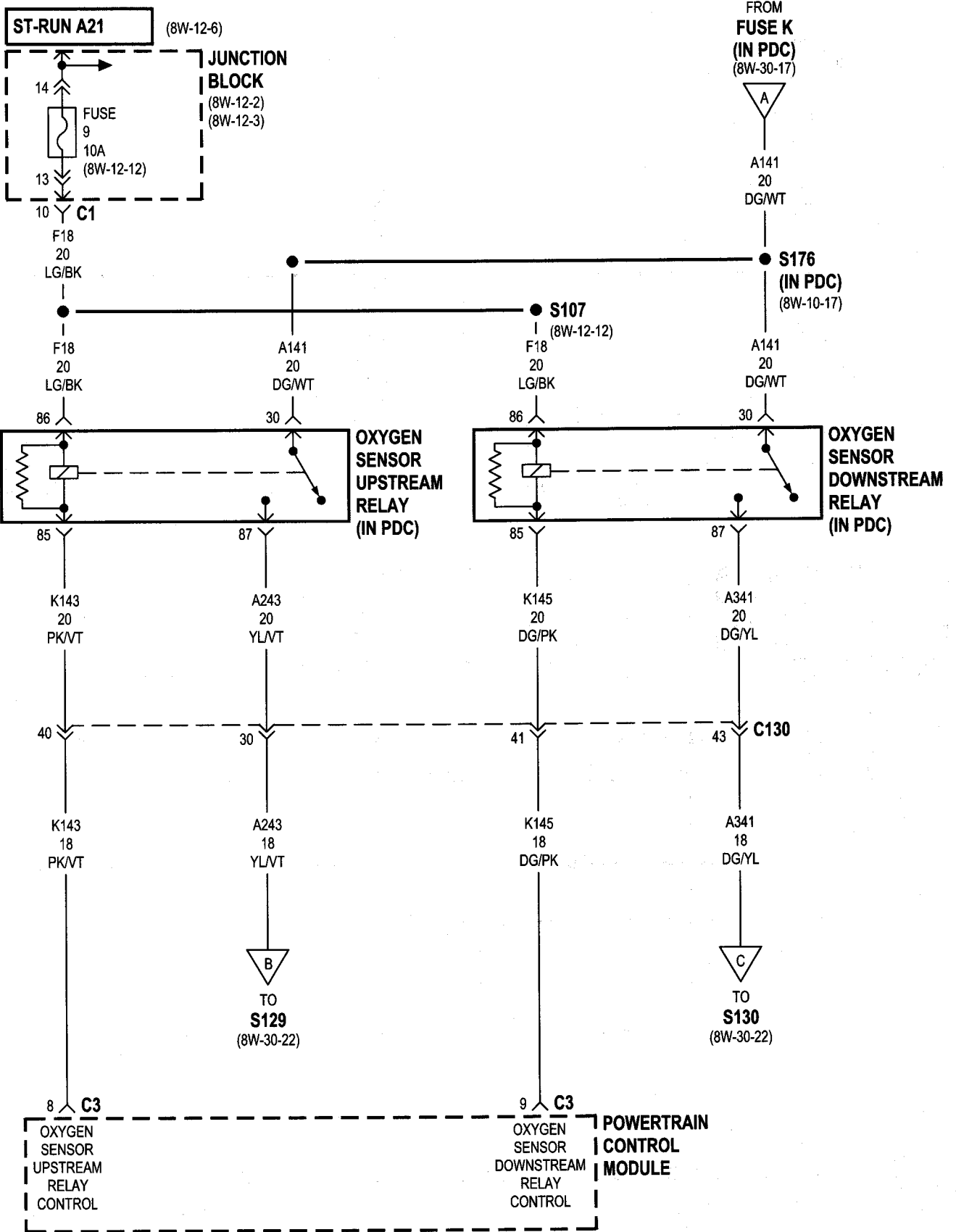


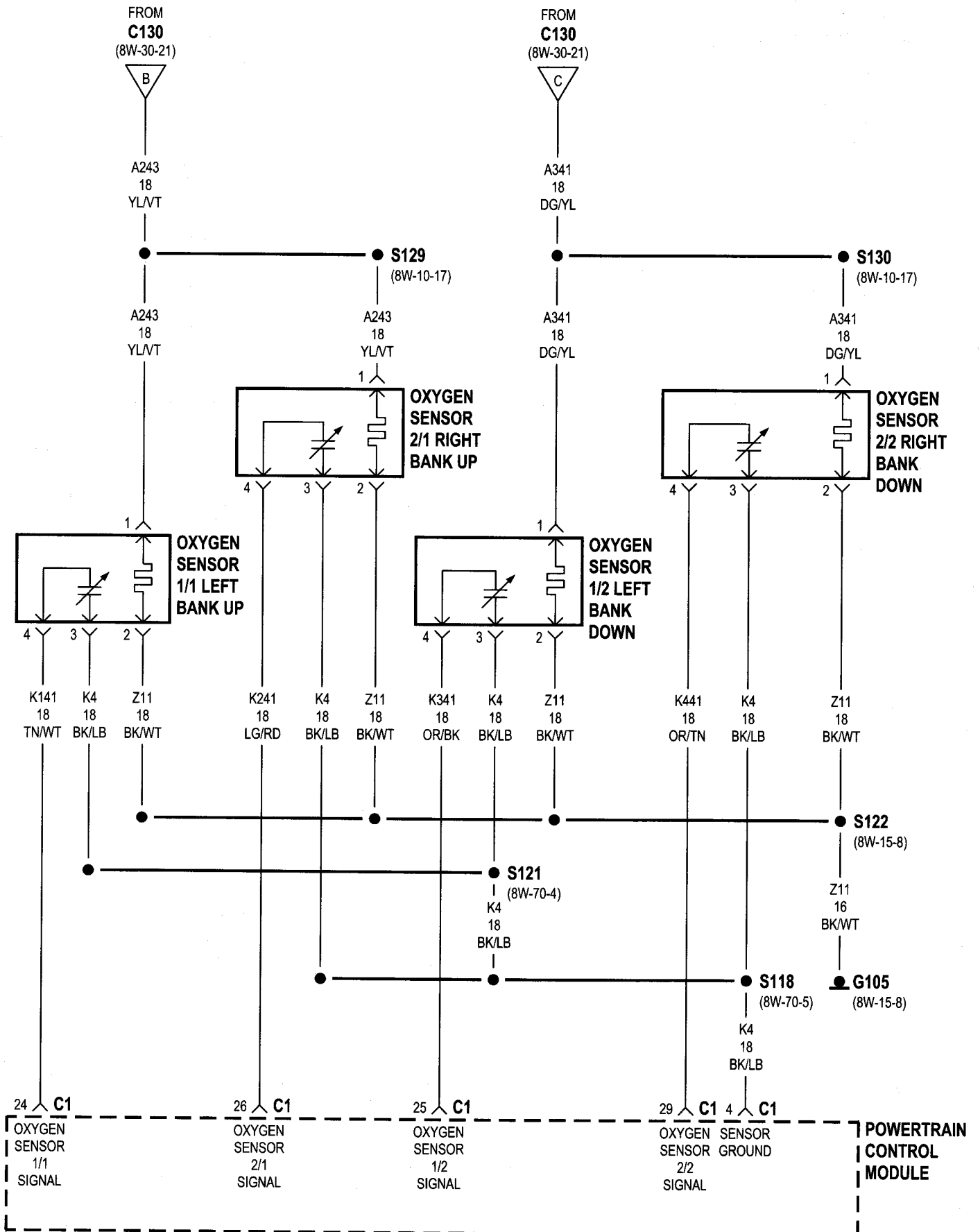


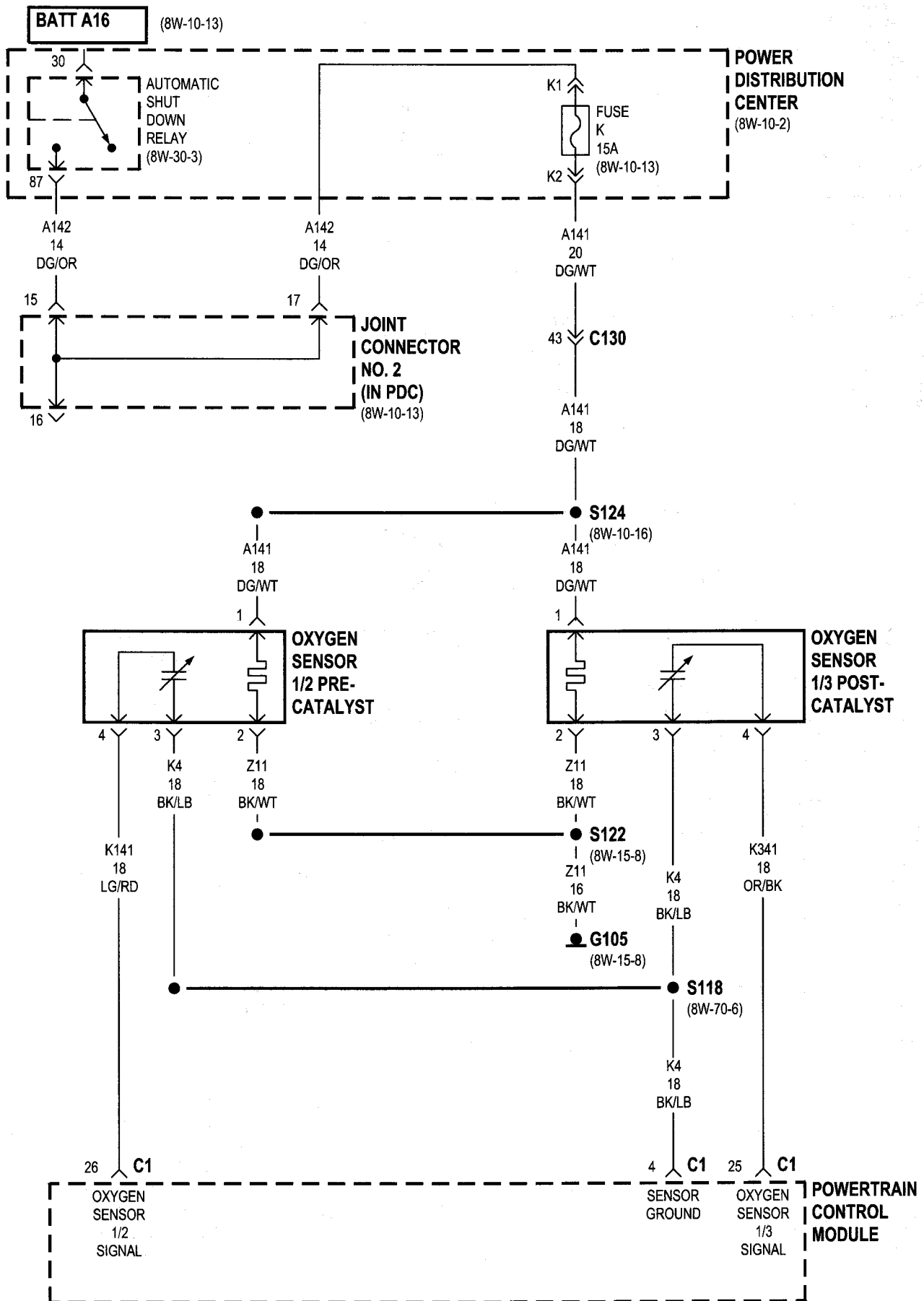




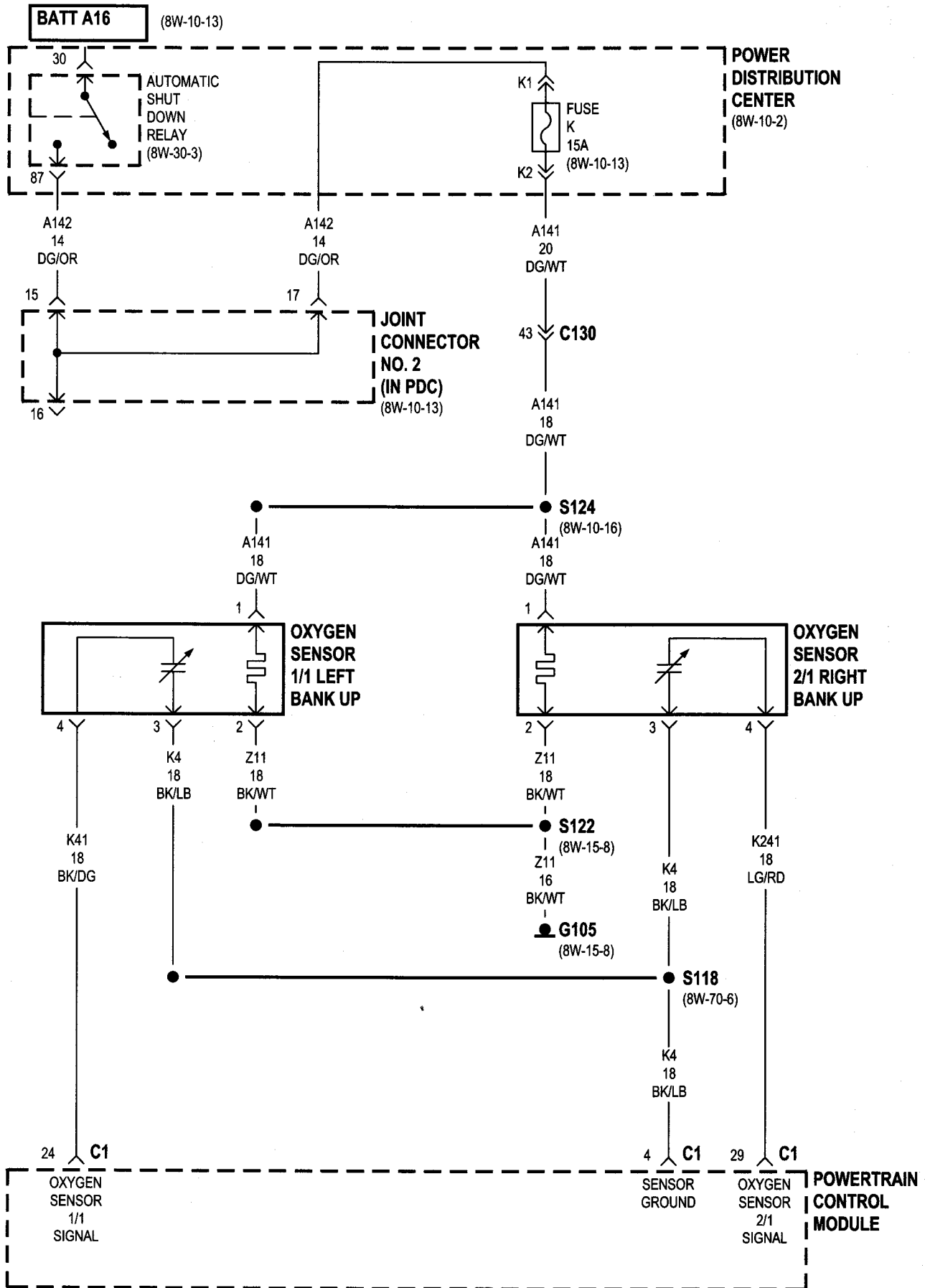


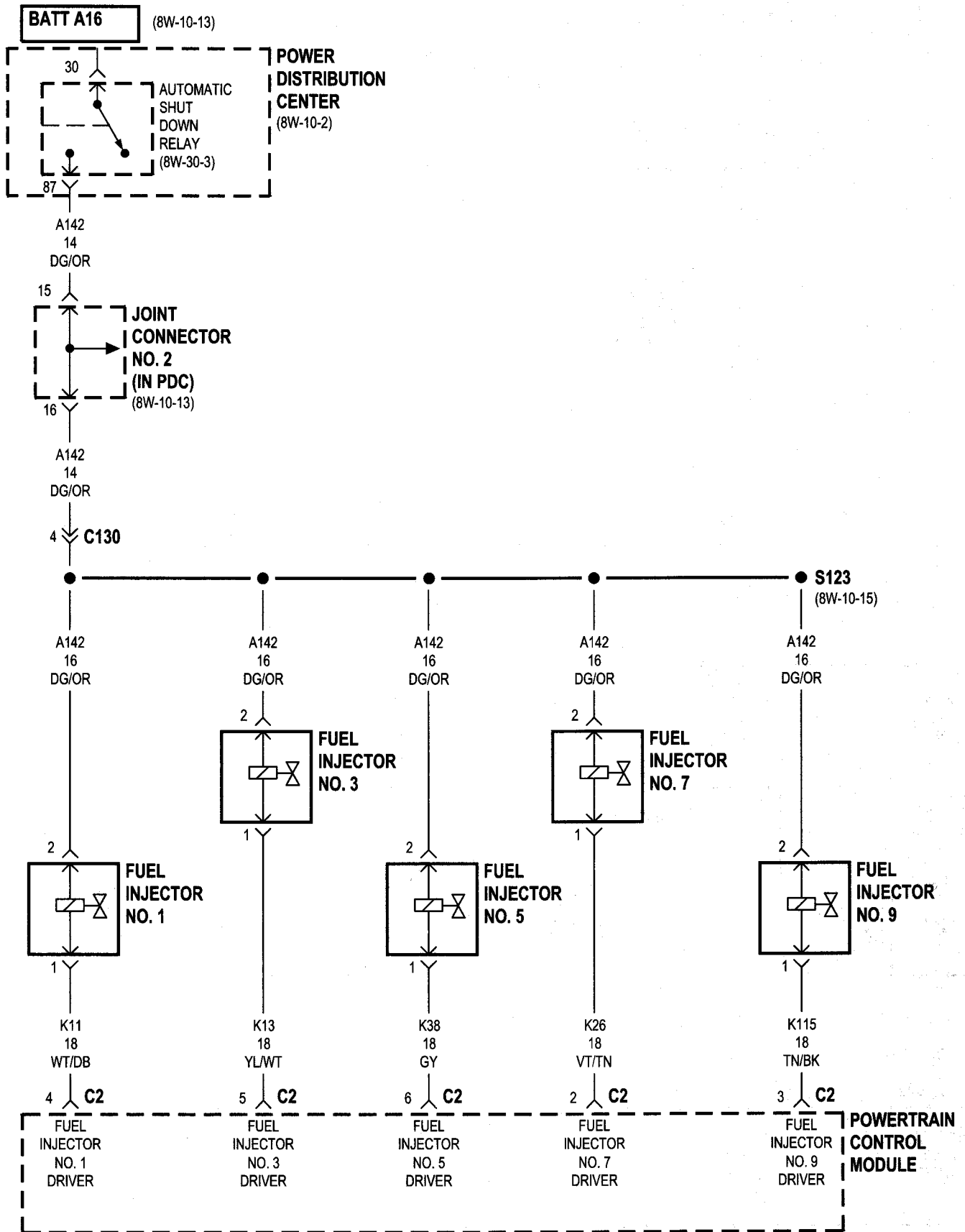


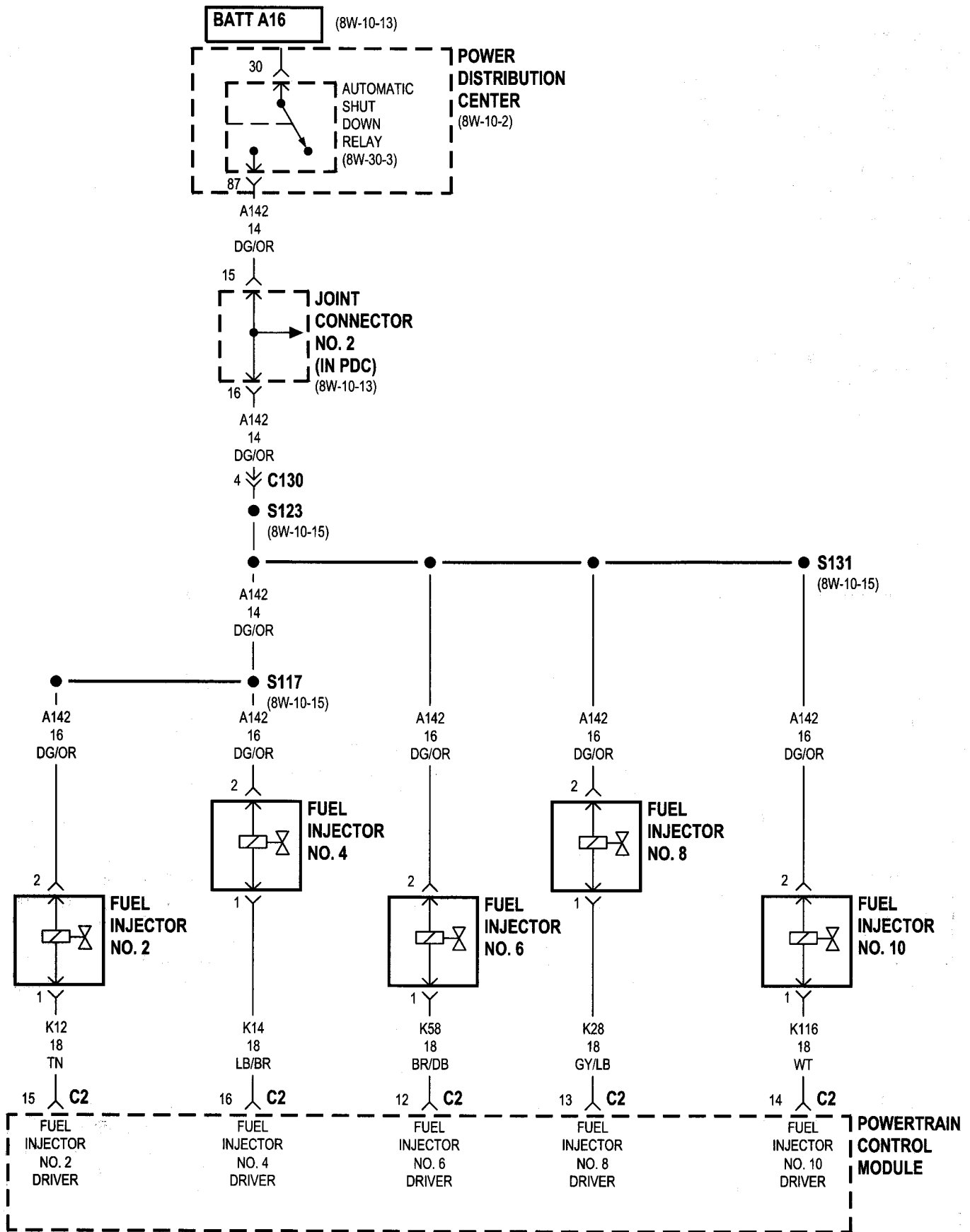


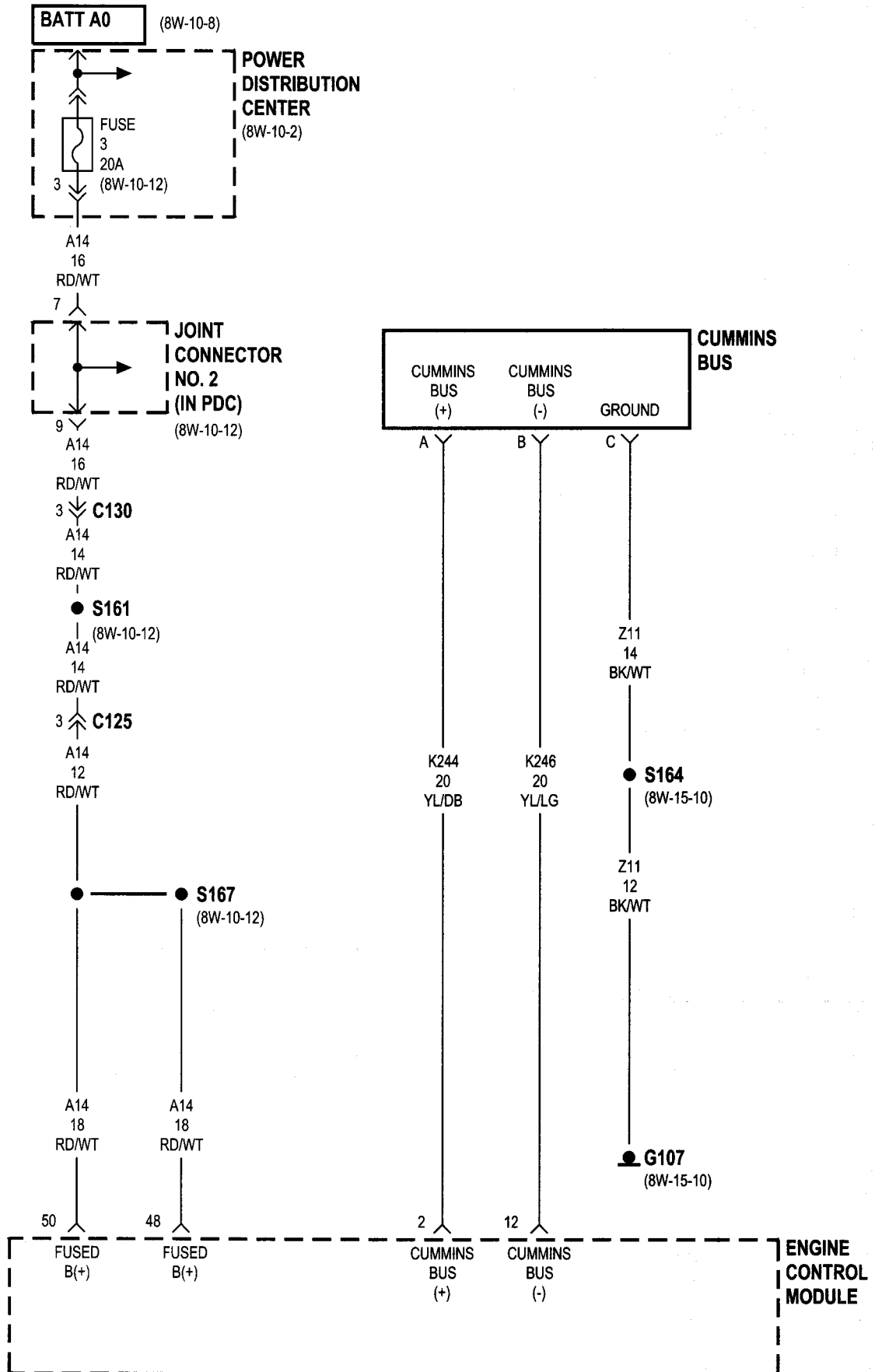


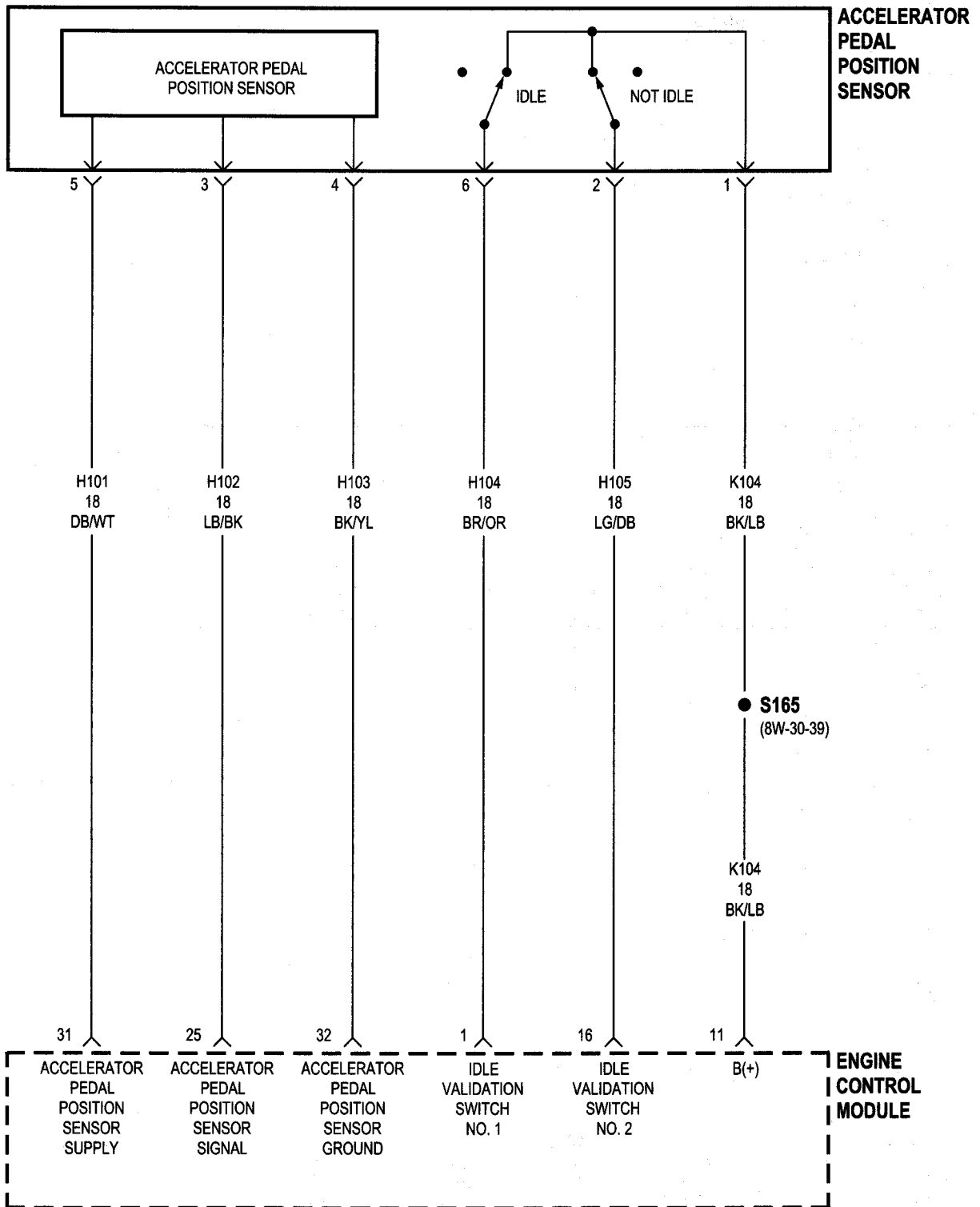
8.0L

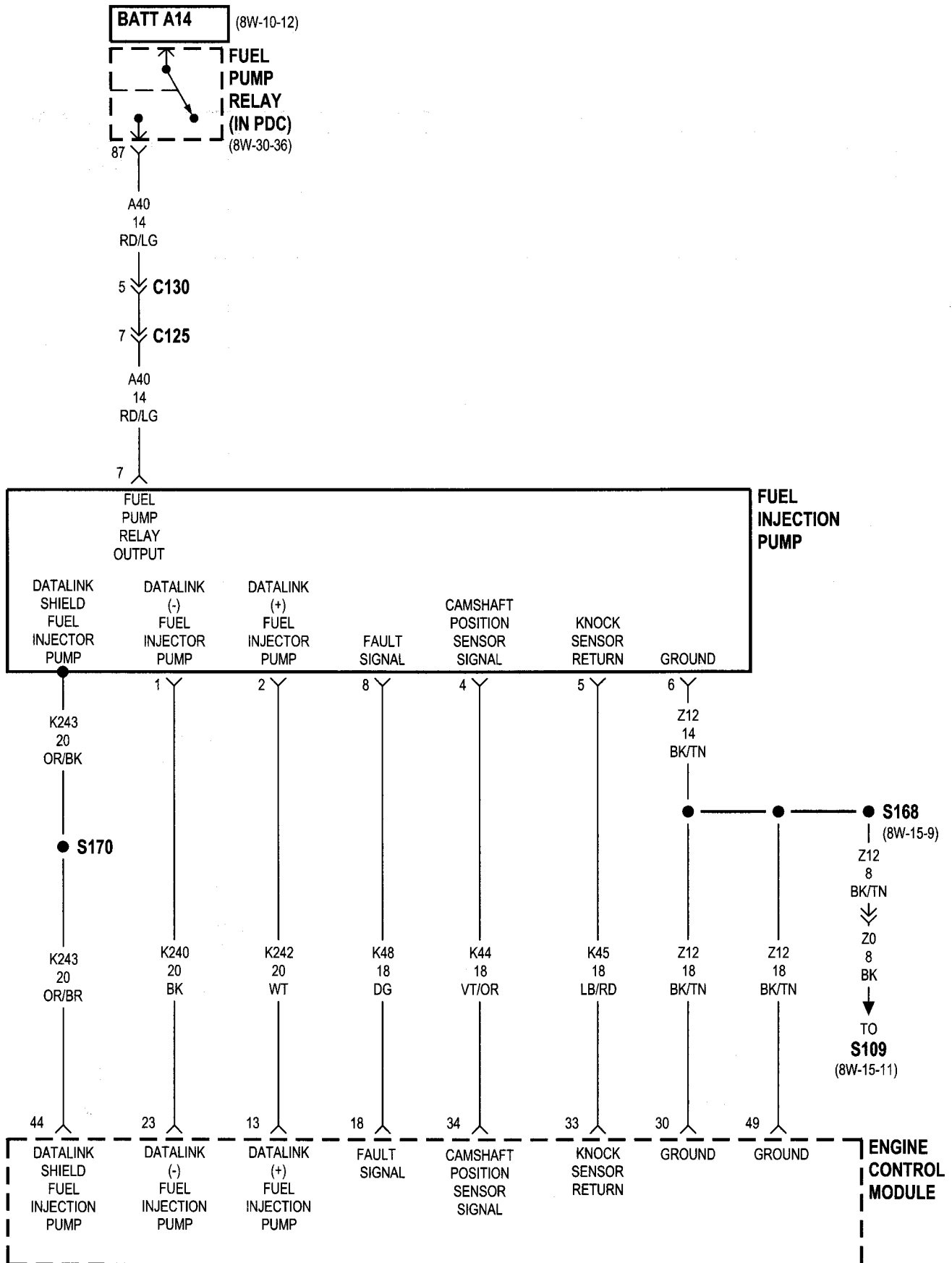


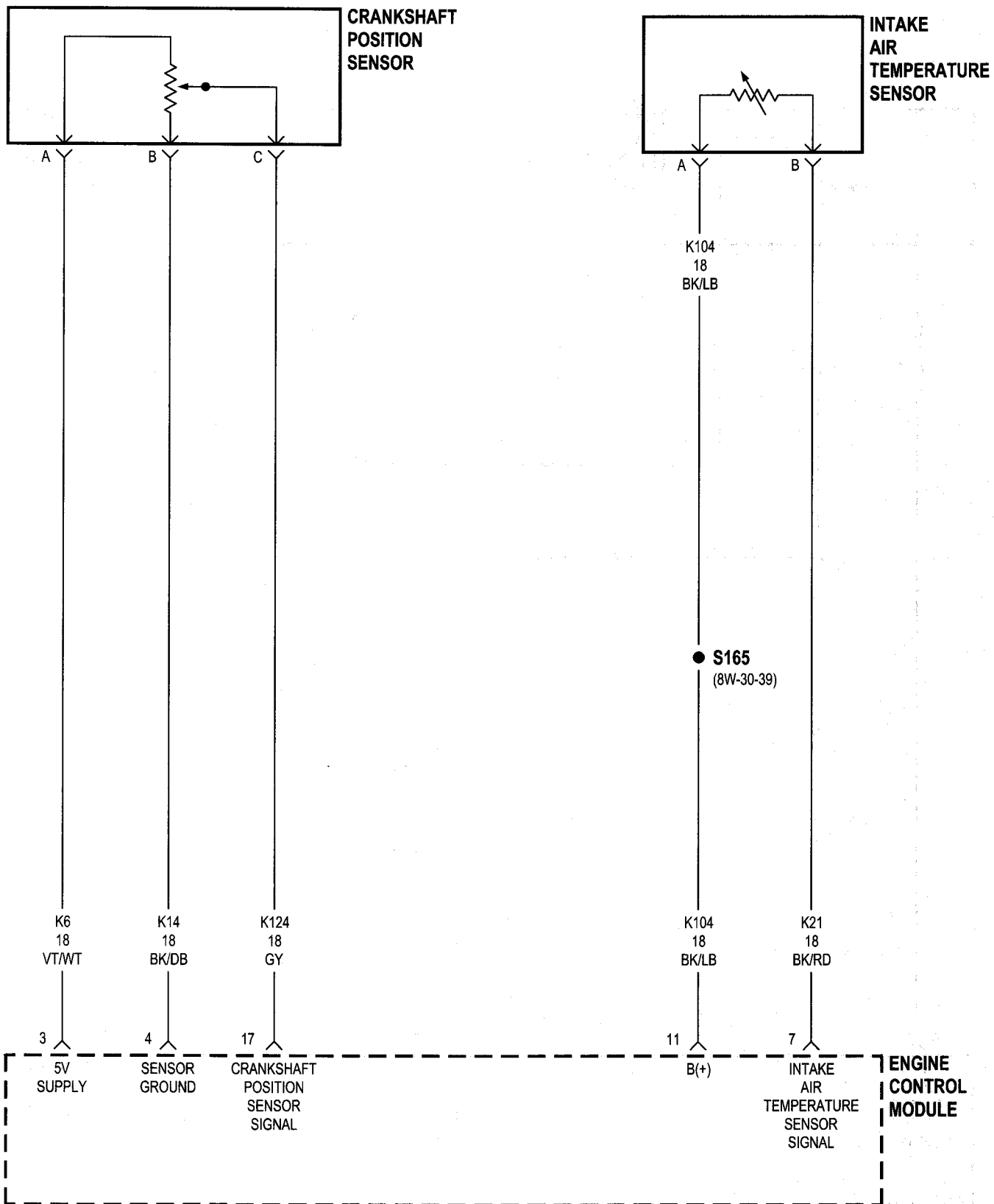


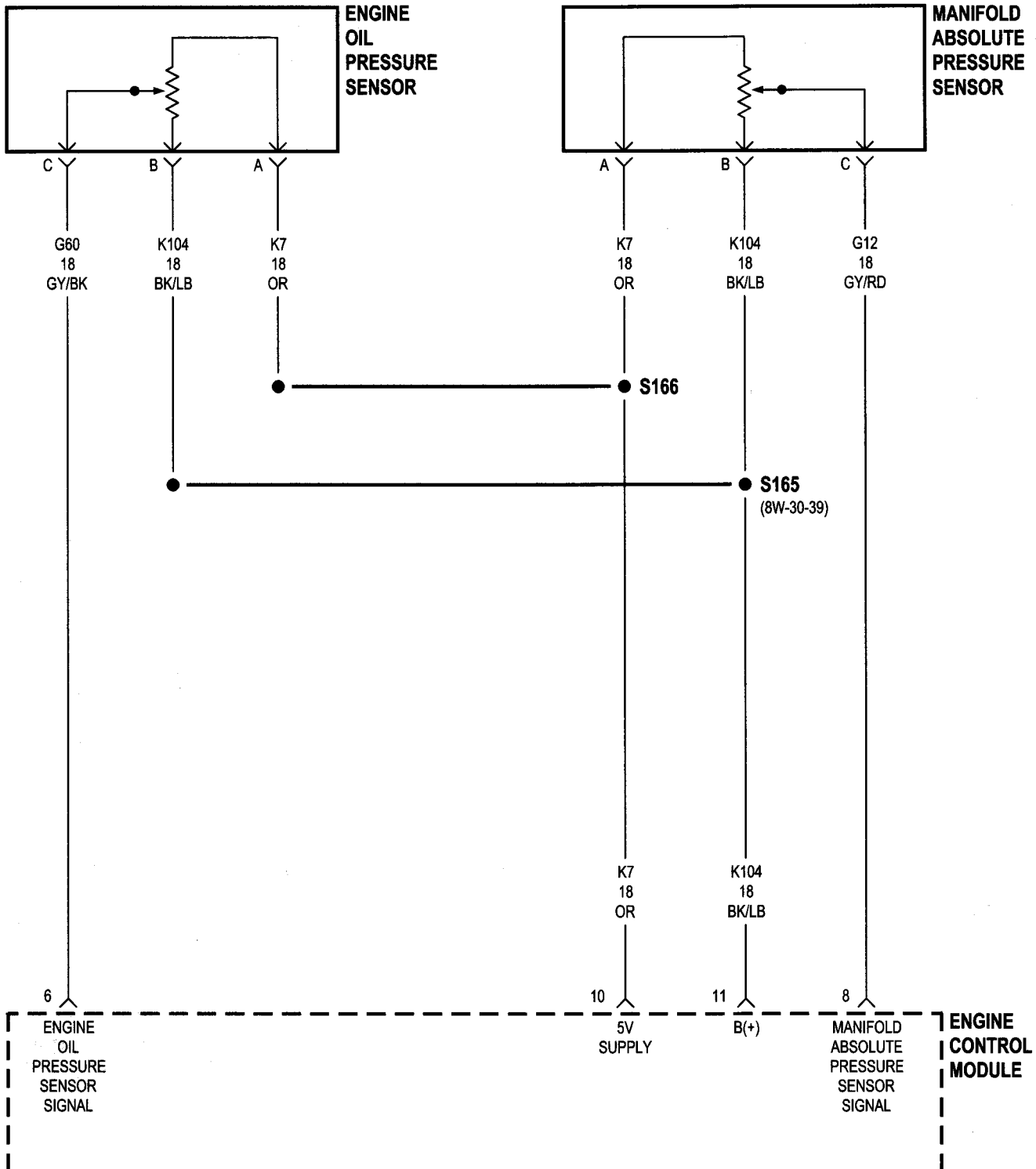


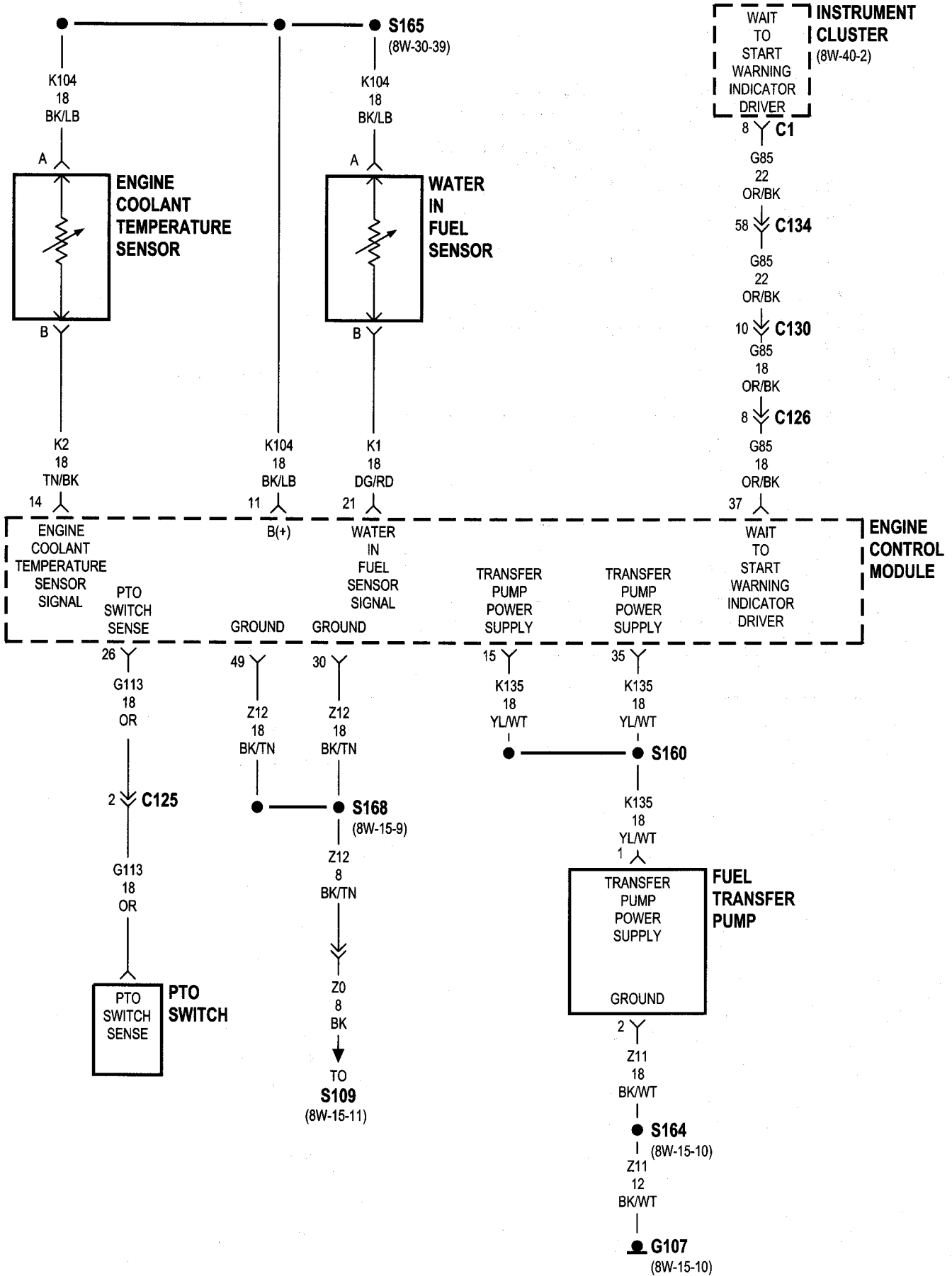




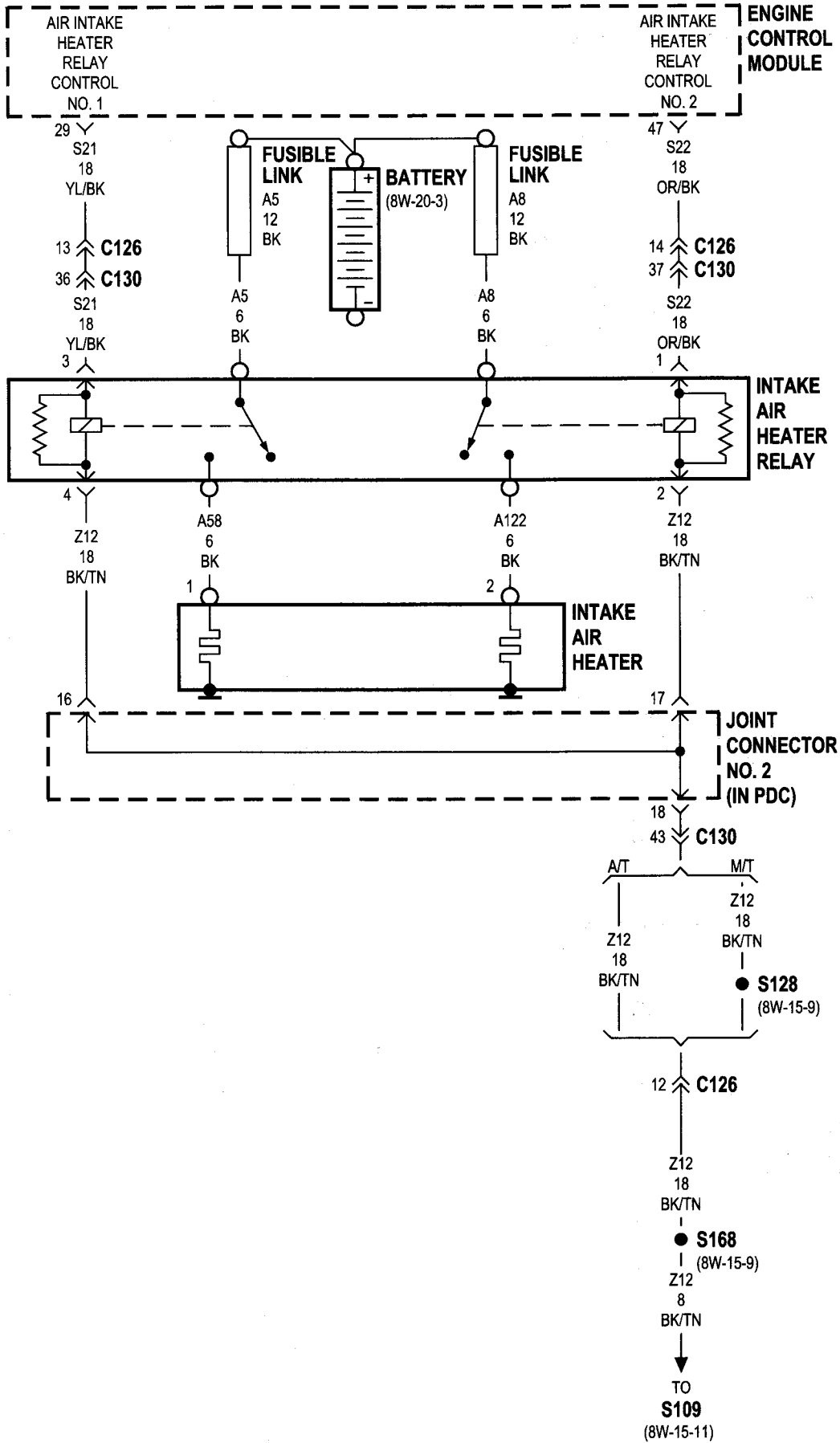


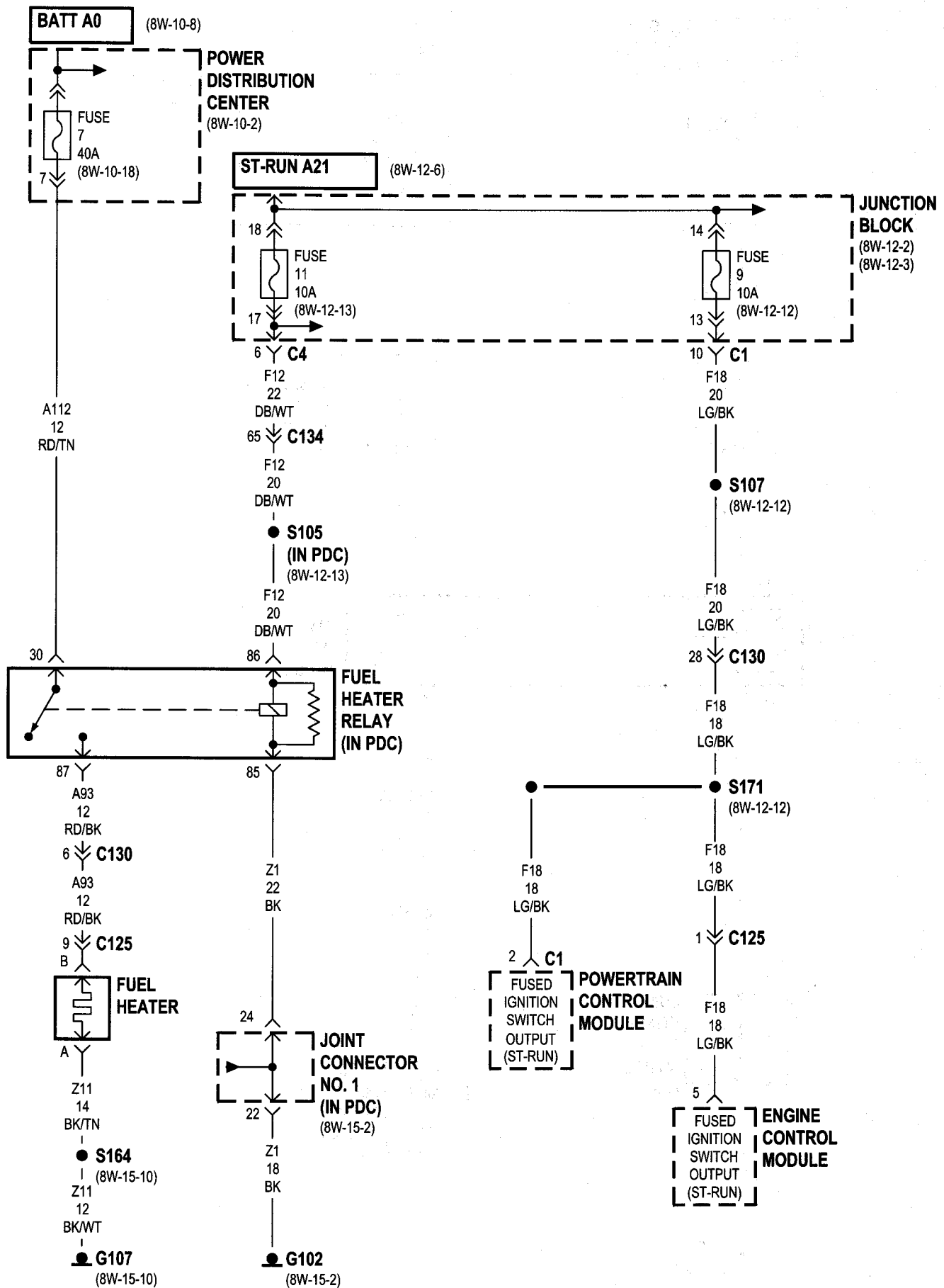


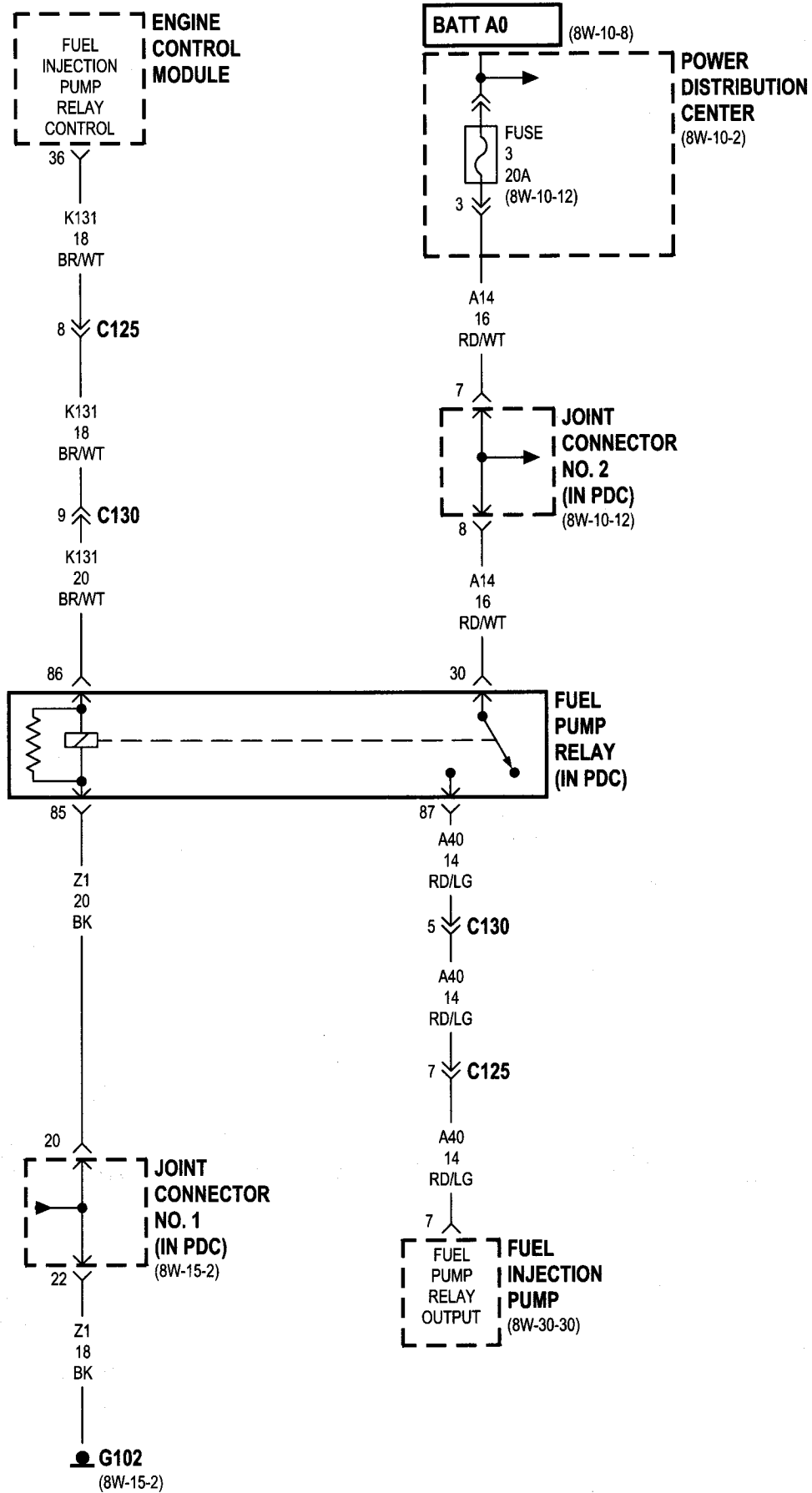


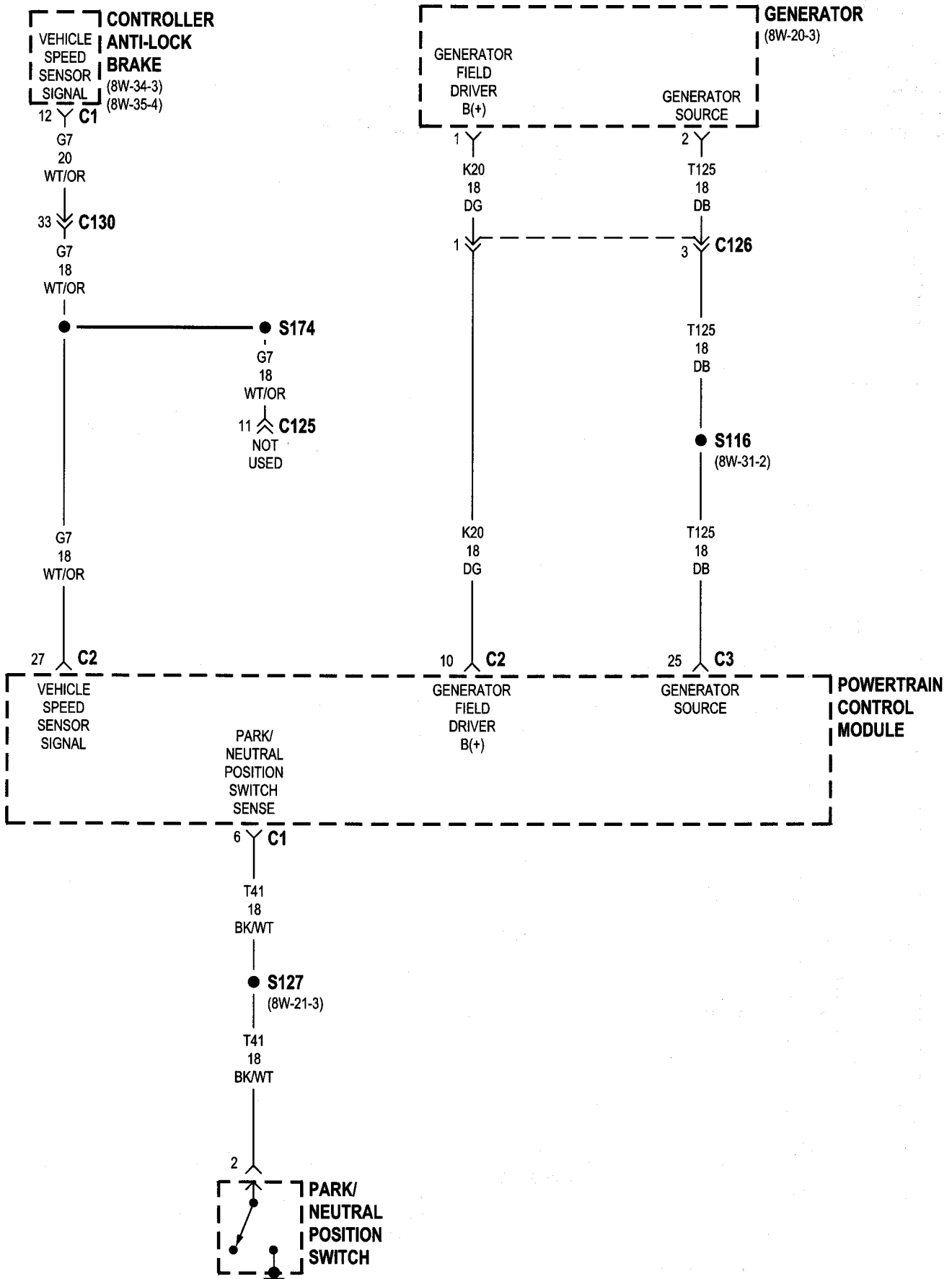


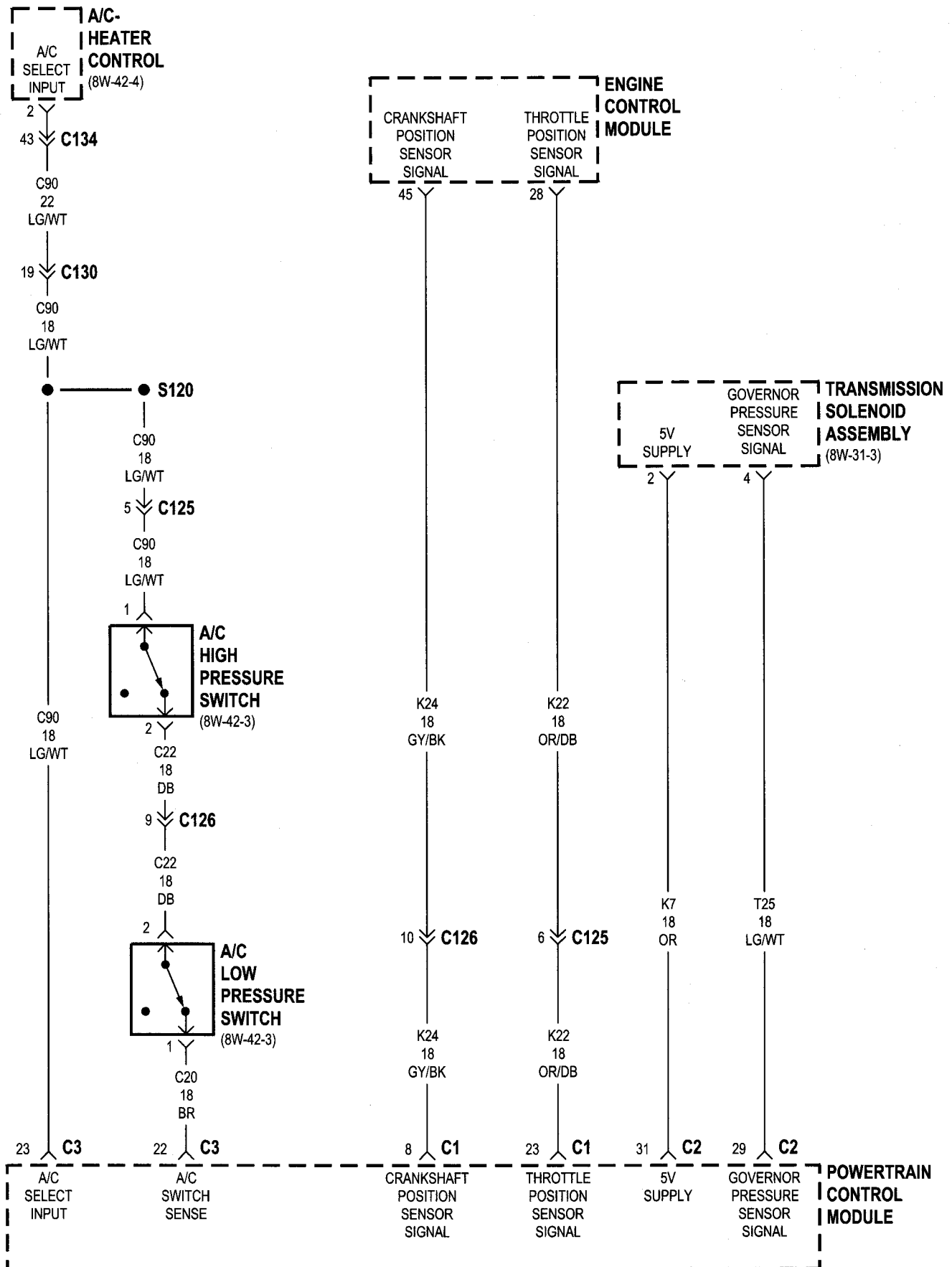
DIESEL

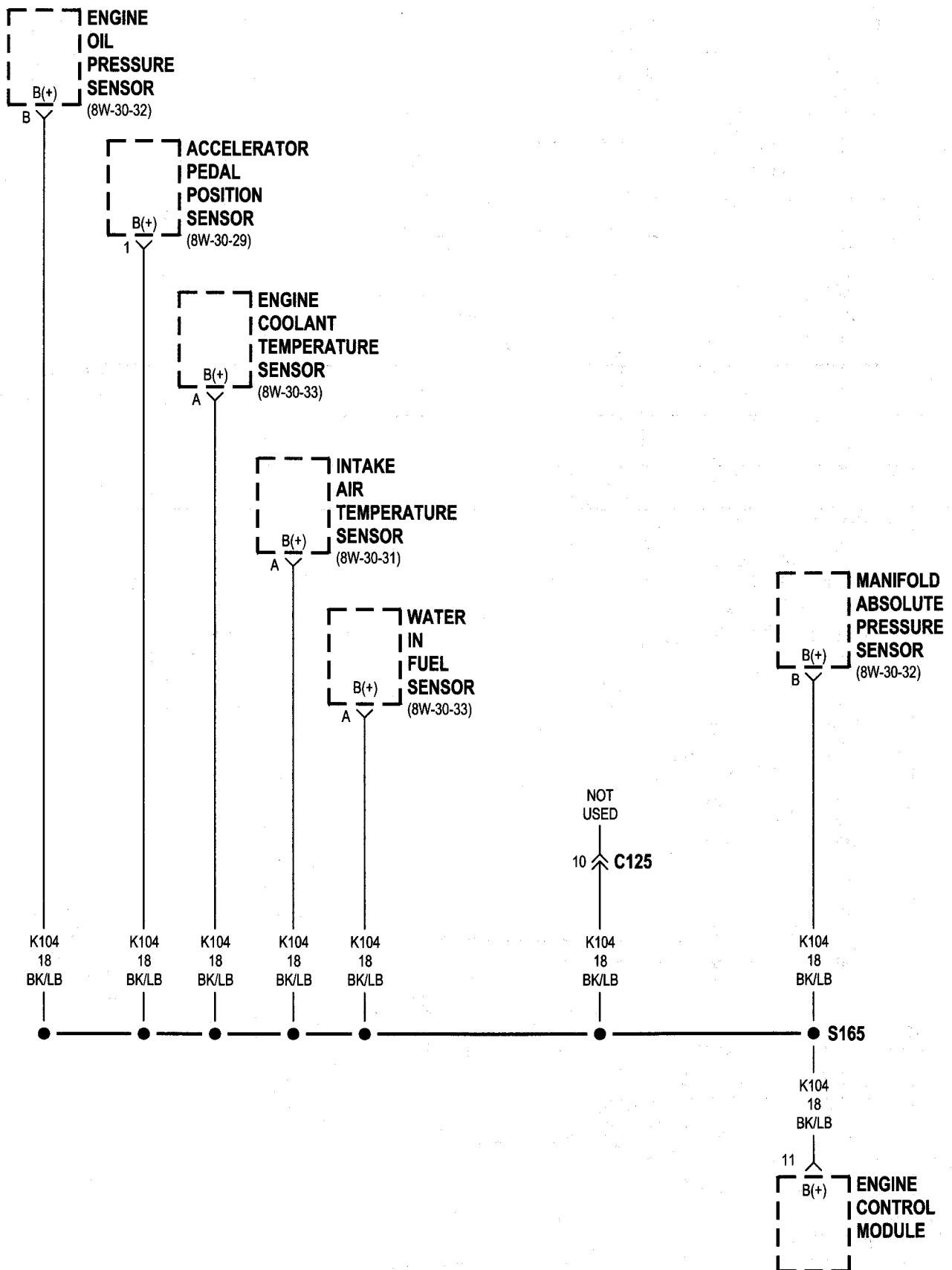


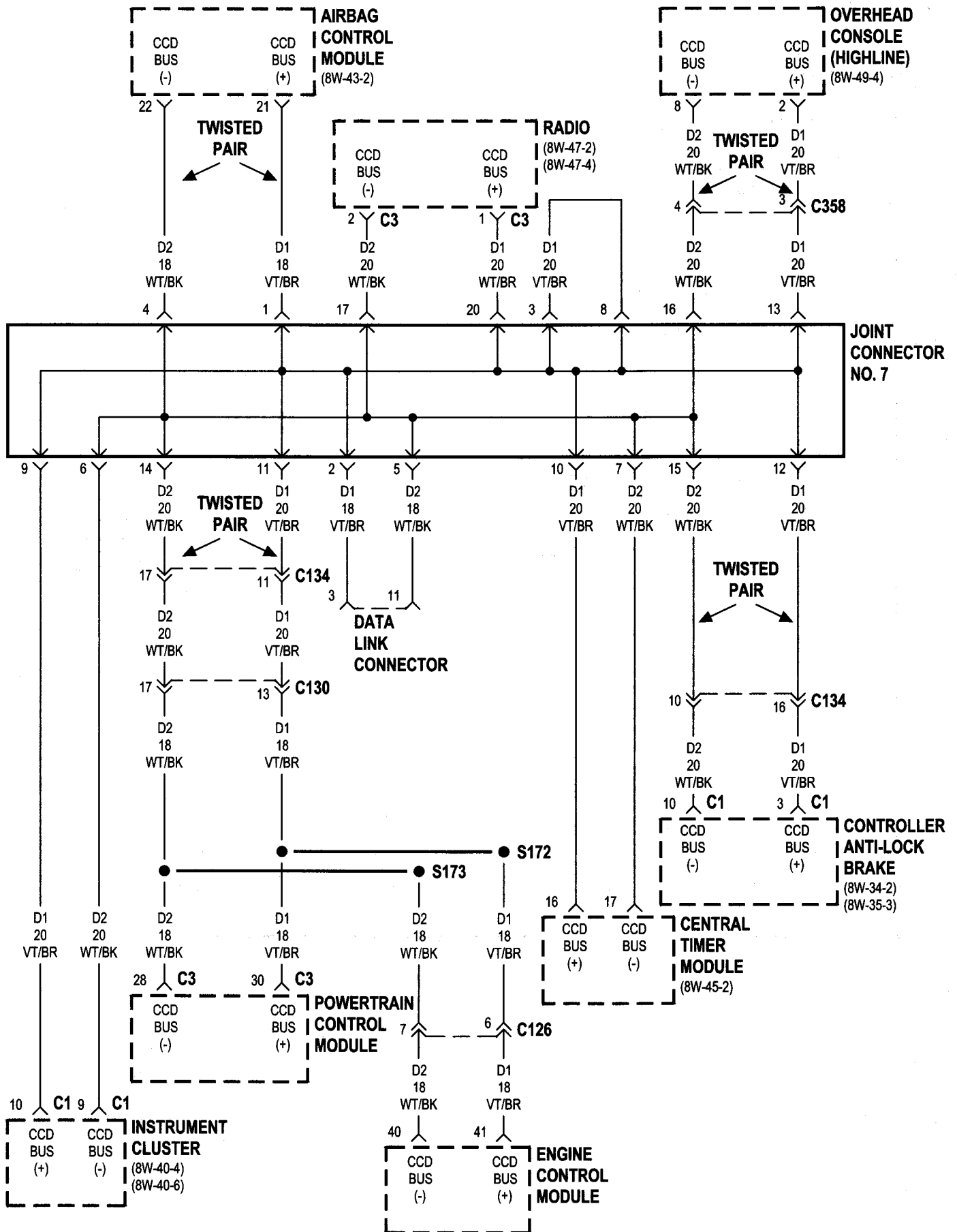




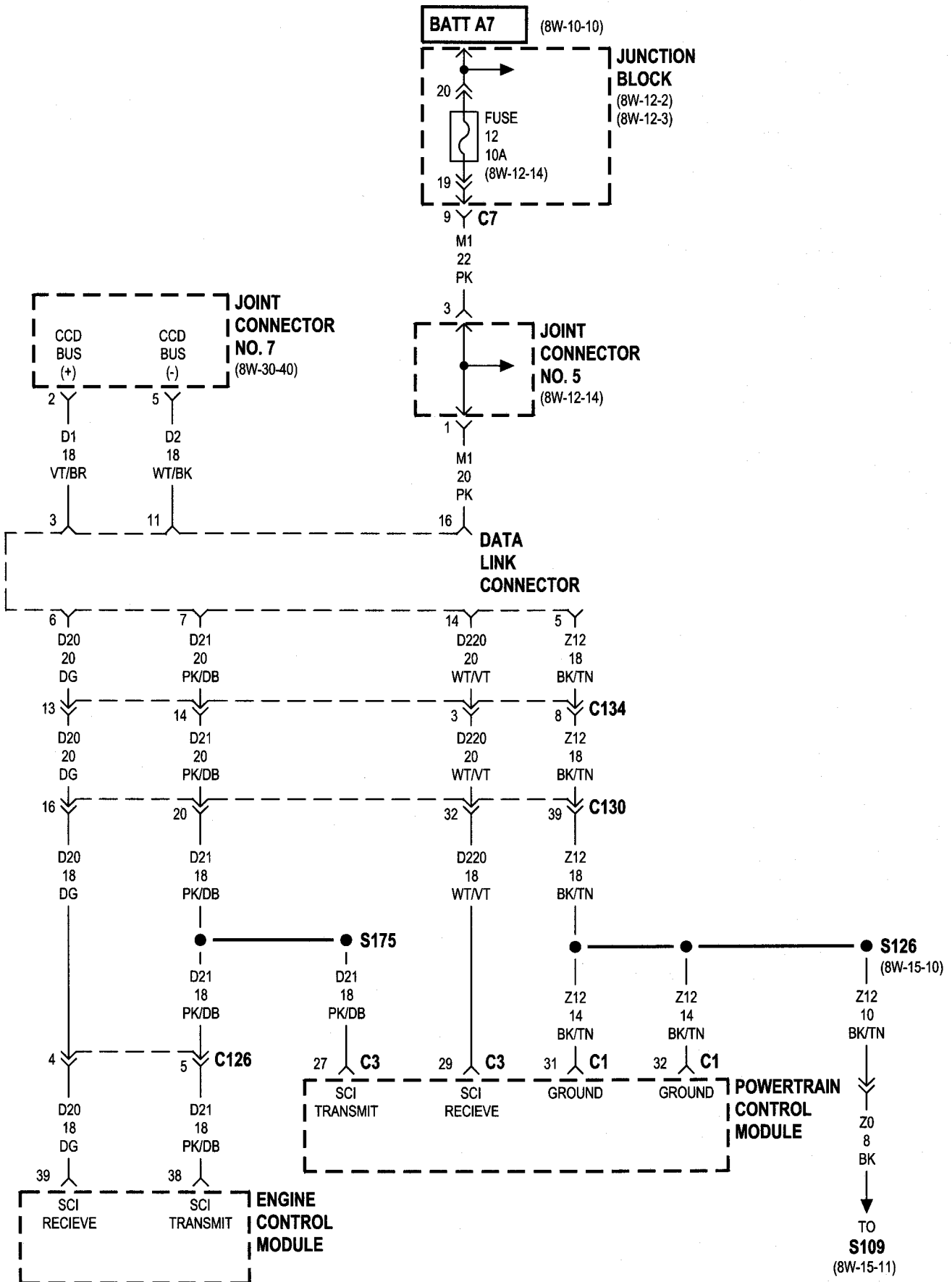


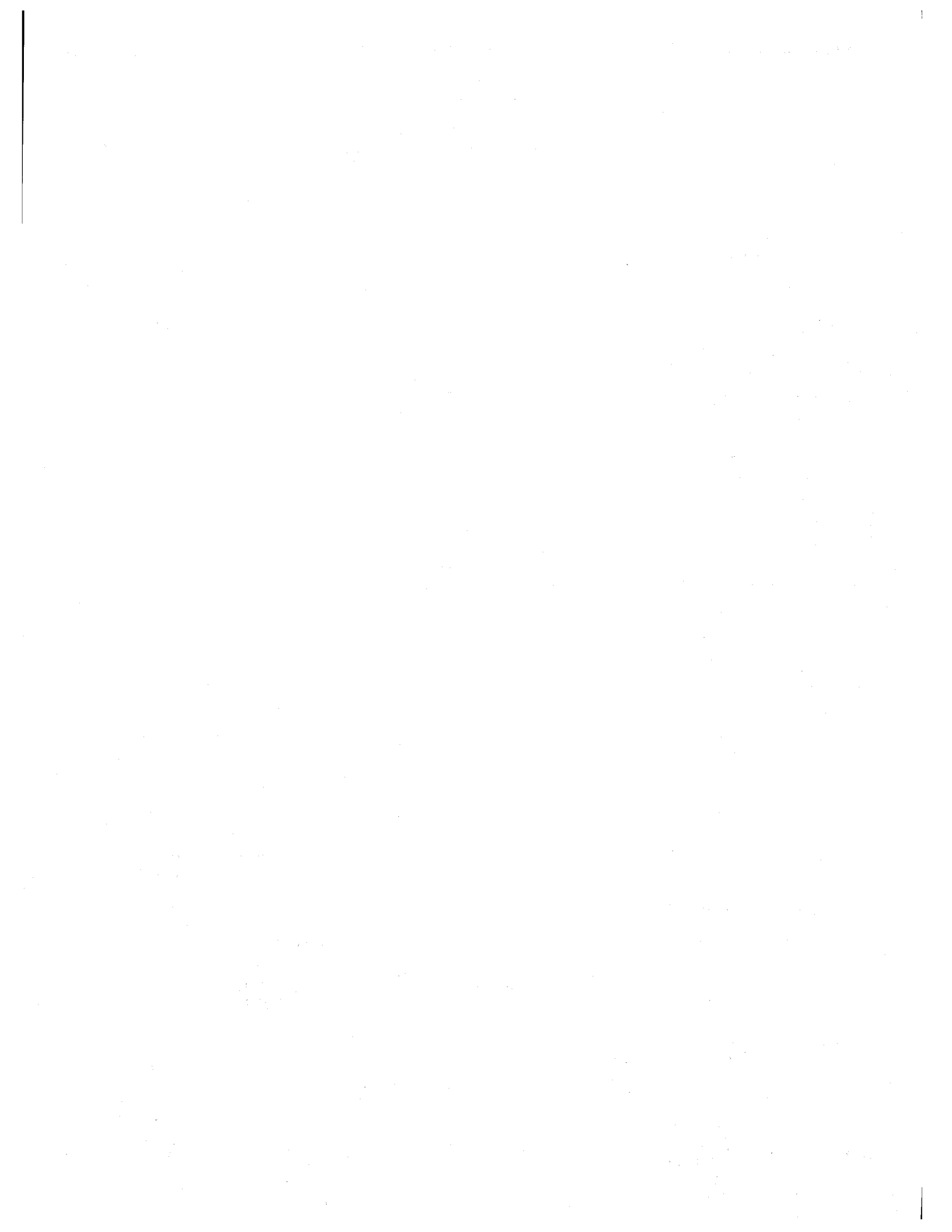






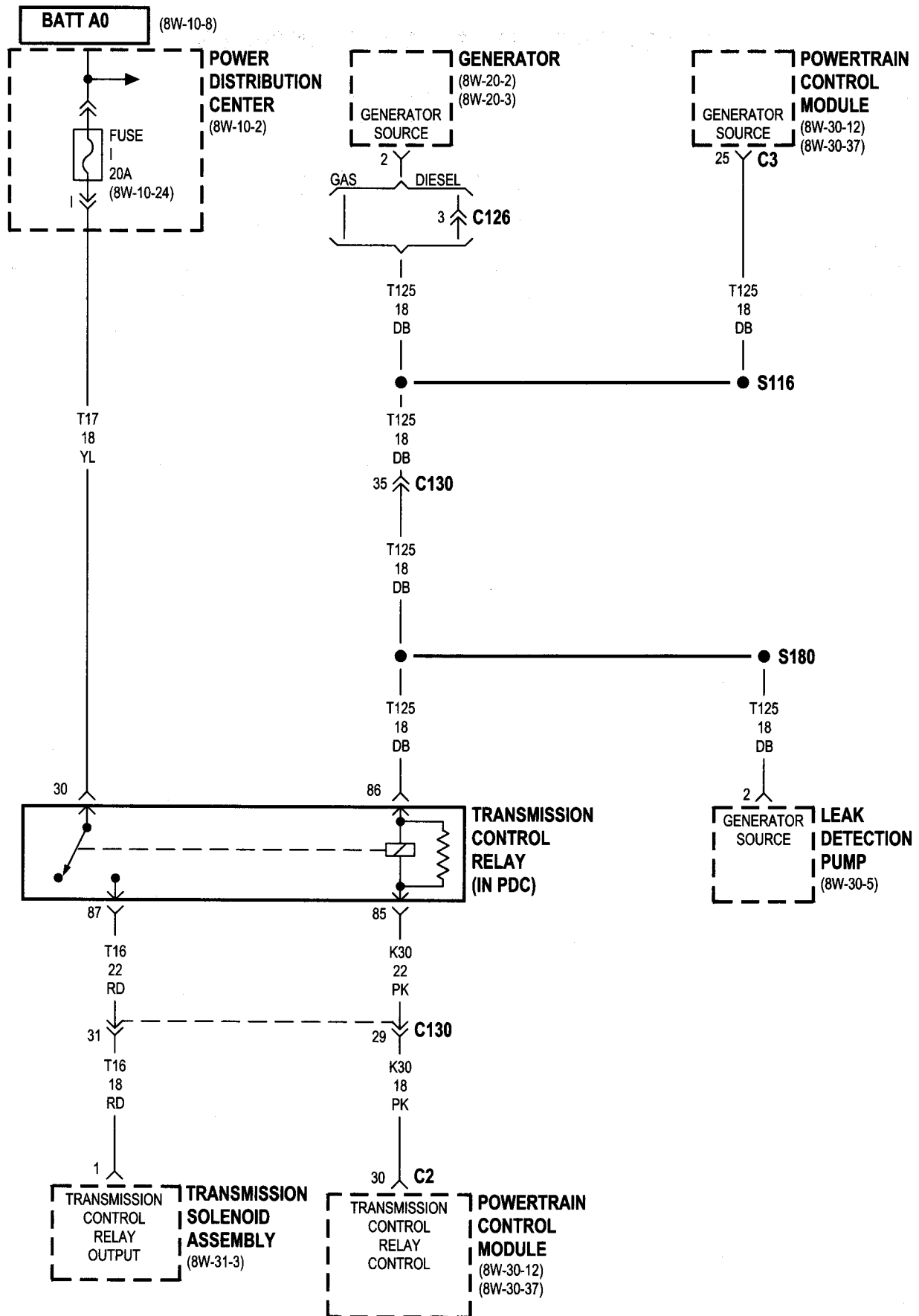
DIESEL

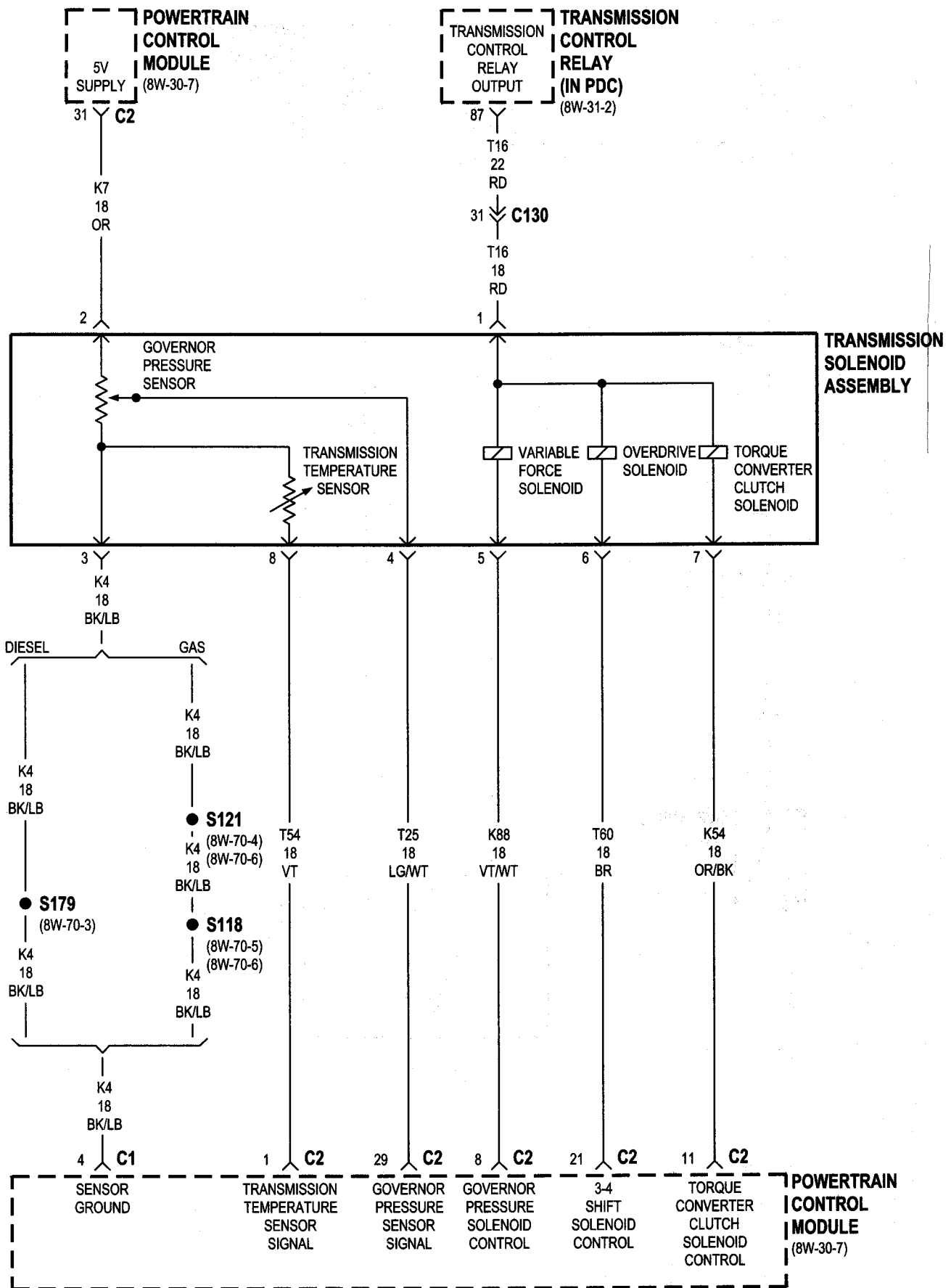


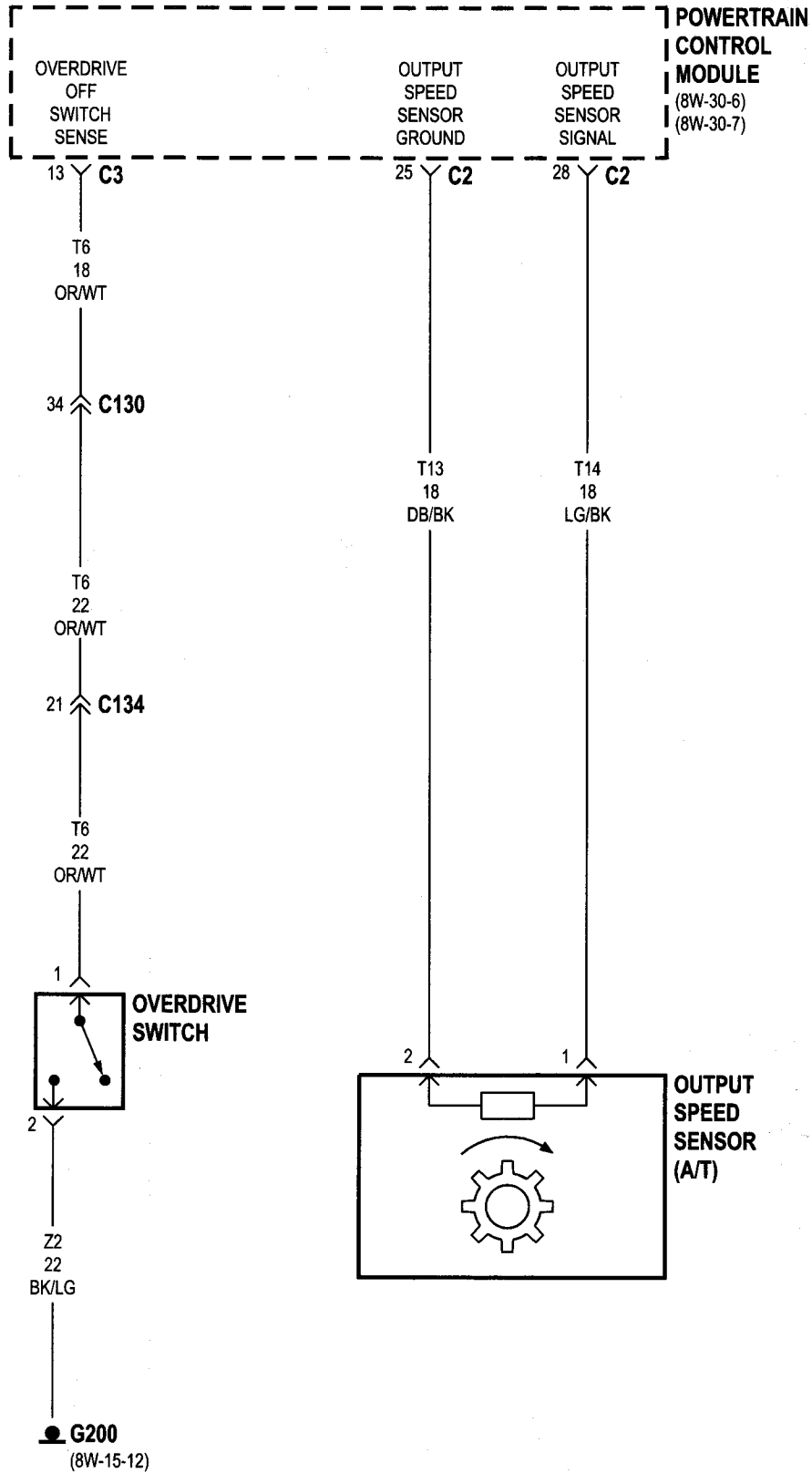


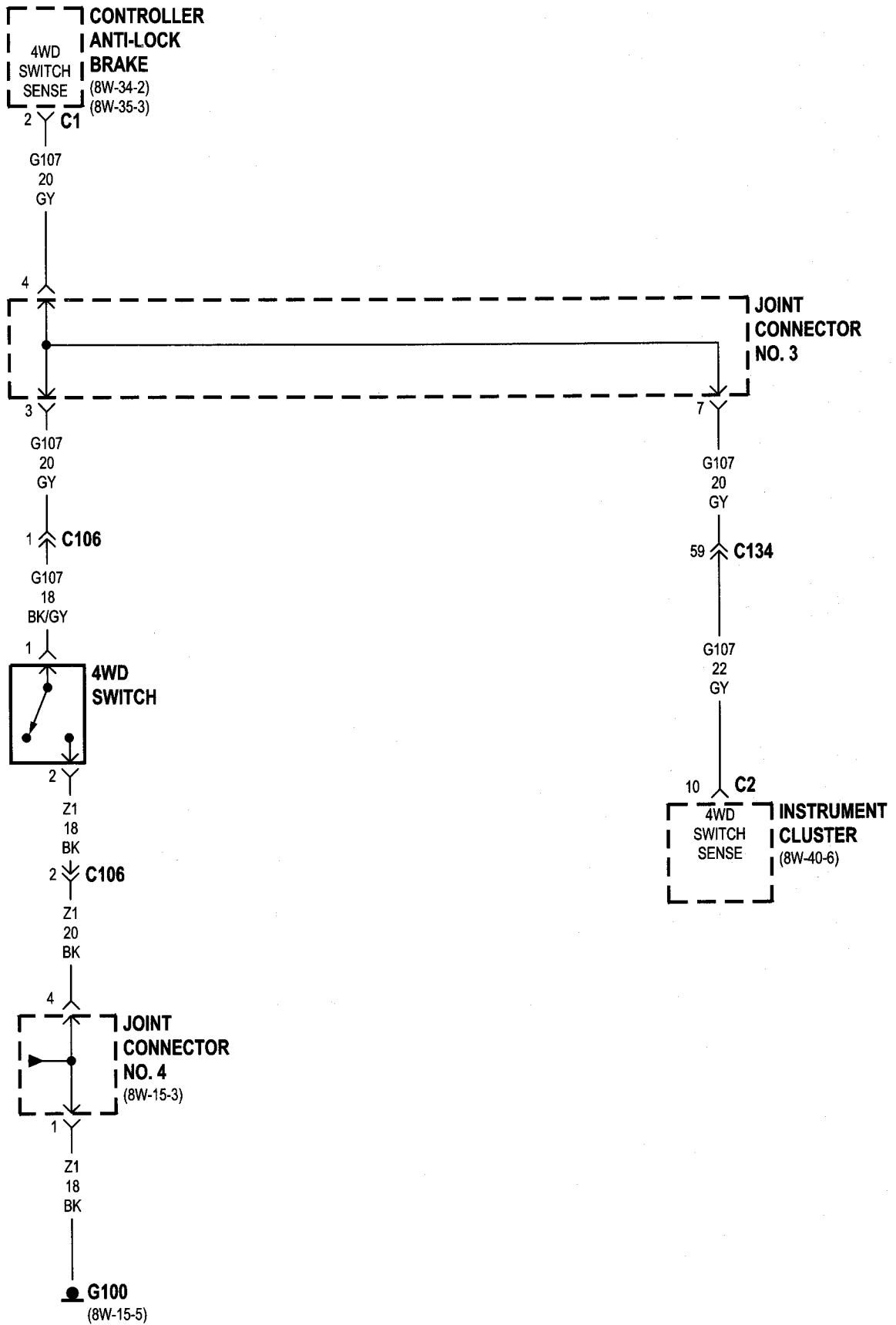
8W-31 TRANSMISSION CONTROLS

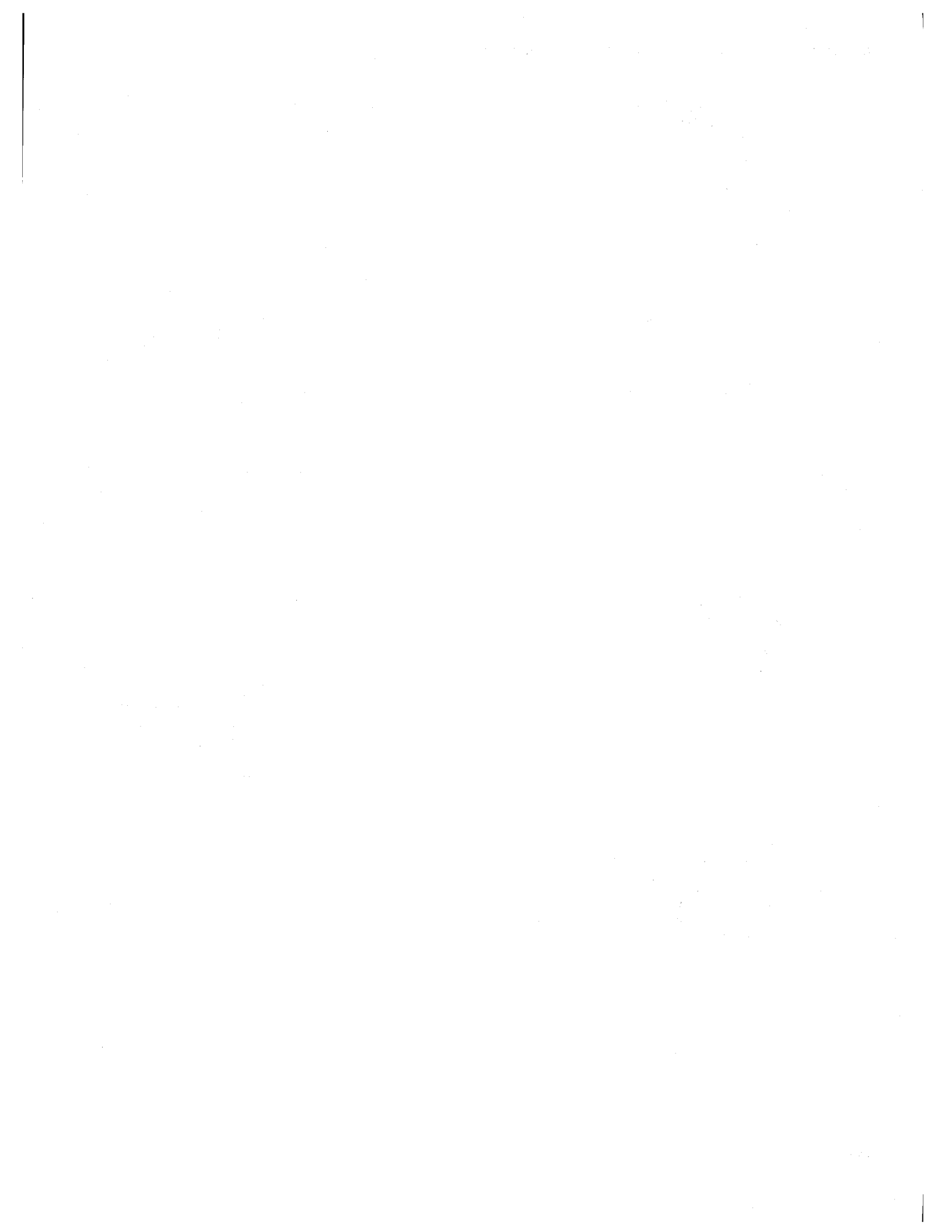
Component	Page	Component	Page
Controller Anti-Lock Brake	8W-31-5	Joint Connector No. 4	8W-31-5
Fuse I (PDC)	8W-31-2	Leak Detection Pump	8W-31-2
G100	8W-31-5	Output Speed Sensor	8W-31-4
G107	8W-31-5	Overdrive Switch	8W-31-4
G200	8W-31-4	Power Distribution Center	8W-31-2
Generator	8W-31-2	Powertrain Control Module	8W-31-2, 3, 4
Instrument Cluster	8W-31-5	Transmission Control Relay	8W-31-2, 3
Joint Connector No. 3	8W-31-5	Transmission Solenoid Assembly	8W-31-2, 3





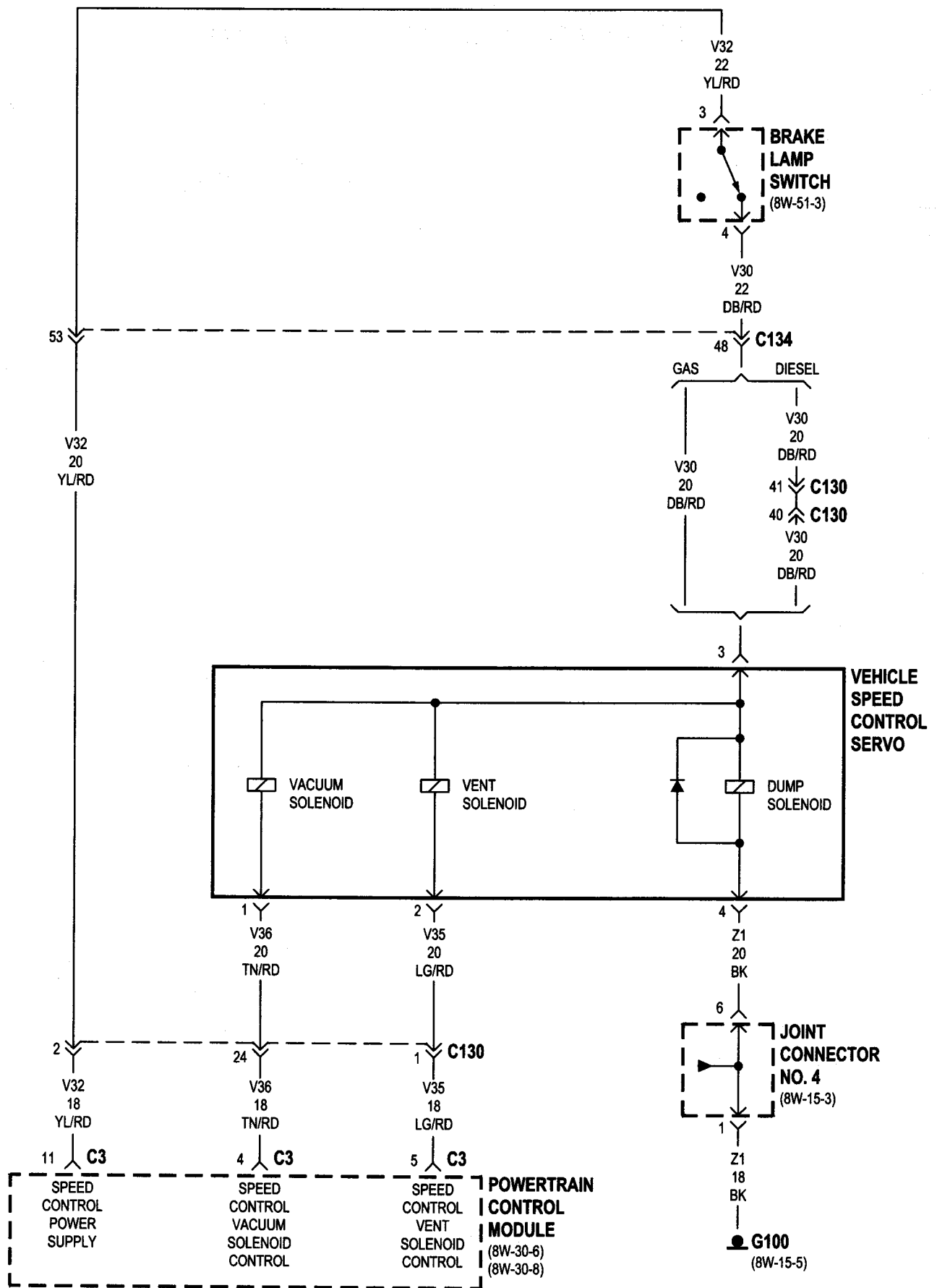


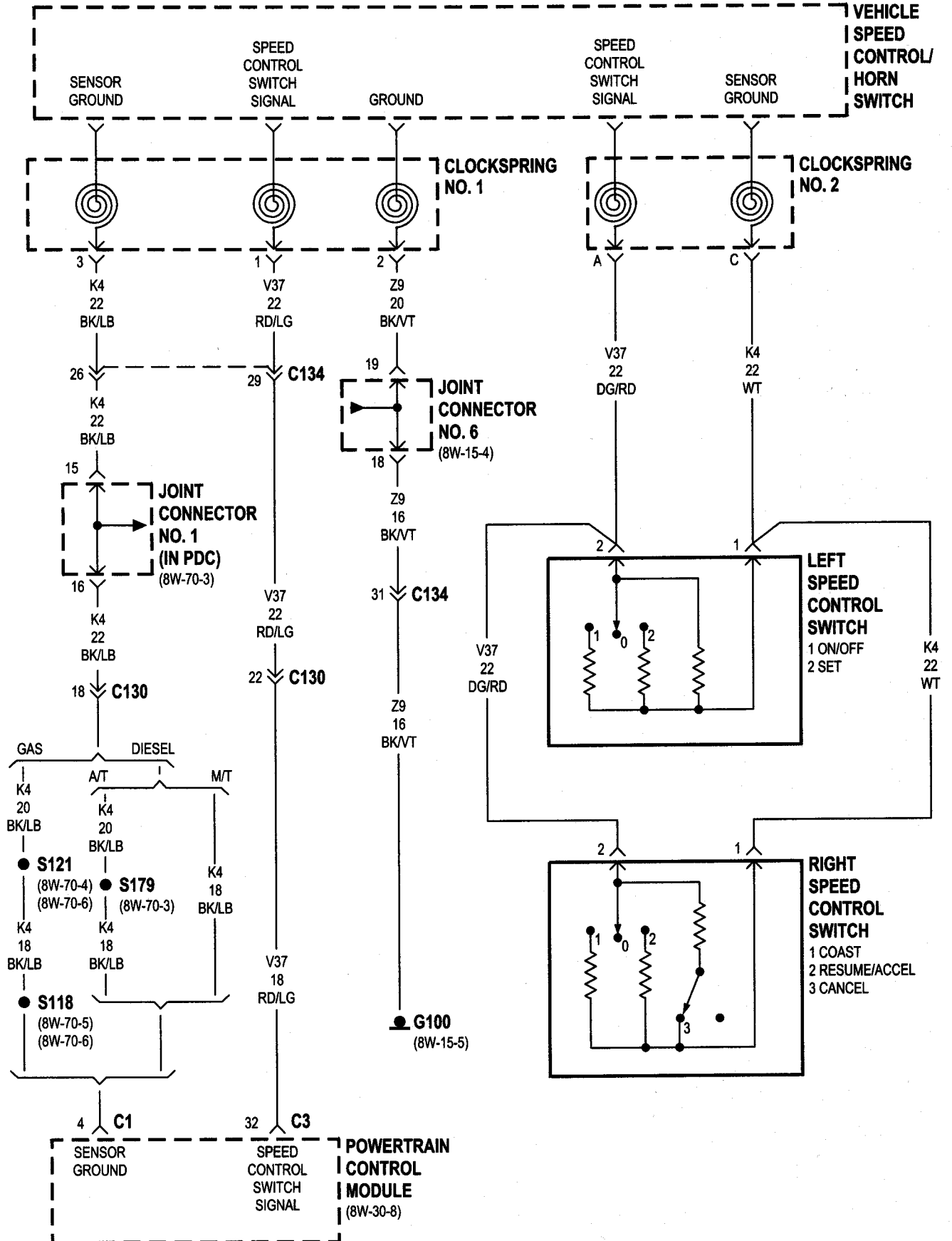




8W-33 VEHICLE SPEED CONTROL

Component	Page	Component	Page
Brake Lamp Switch	8W-33-2	Joint Connector No. 6	8W-33-3
Clockspring No. 1	8W-33-3	Left Speed Control Switch	8W-33-3
Clockspring No. 2	8W-33-3	Powertrain Control Module	8W-33-2, 3
G100	8W-33-2, 3	Right Speed Control Switch	8W-33-3
Joint Connector No. 1	8W-33-3	Vehicle Speed Control Servo	8W-33-2
Joint Connector No. 4	8W-33-2	Vehicle Speed Control/Horn Switch	8W-33-3





The Board of Directors of the United States Trust Company, organized under the laws of the State of New York, has the honor to submit herewith its annual report for the year ended December 31, 1948.

The Company's operations during the year were characterized by a steady and consistent growth in all major areas of its business. Total assets increased from \$1,000,000,000 at the end of 1947 to \$1,100,000,000 at the end of 1948. This increase was due to a combination of factors, including the successful completion of several major acquisitions and the continued growth of the Company's existing operations.

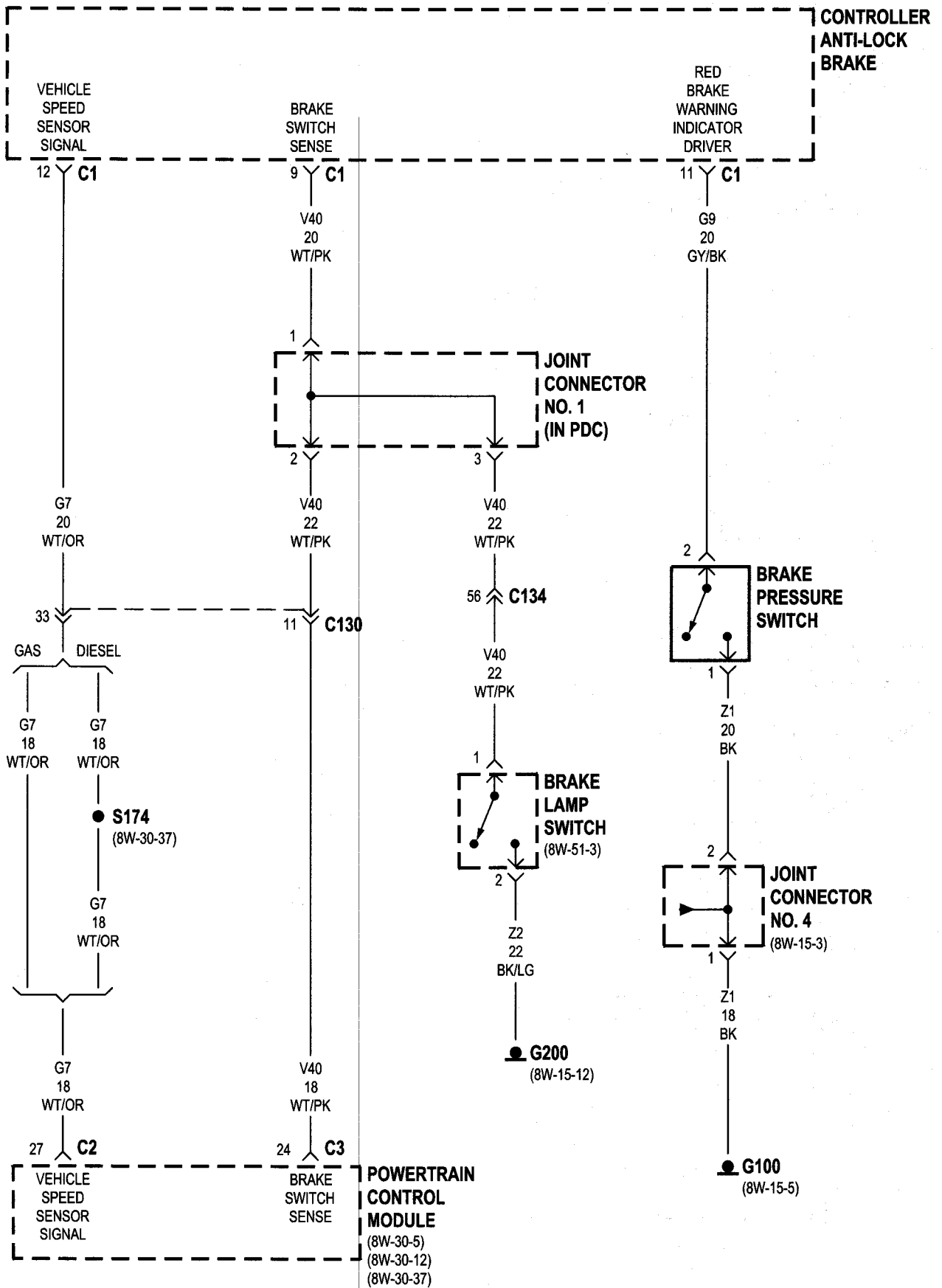
The Company's primary business is the management of trust funds and the operation of trust companies. During the year, the Company managed trust funds totaling \$500,000,000. This represents an increase of 10% over the amount managed at the end of 1947. The Company's trust business is diversified, with a significant portion of its assets invested in real estate, stocks, and bonds.

In addition to its trust business, the Company is engaged in a variety of other financial services, including the management of investment funds, the operation of a life insurance company, and the management of a bank. These services are provided to a wide range of clients, including individuals, corporations, and government entities.

The Board of Directors is pleased to report that the Company's operations during the year were successful and that the Company's financial position is strong. The Board is confident that the Company will continue to grow and prosper in the years ahead.

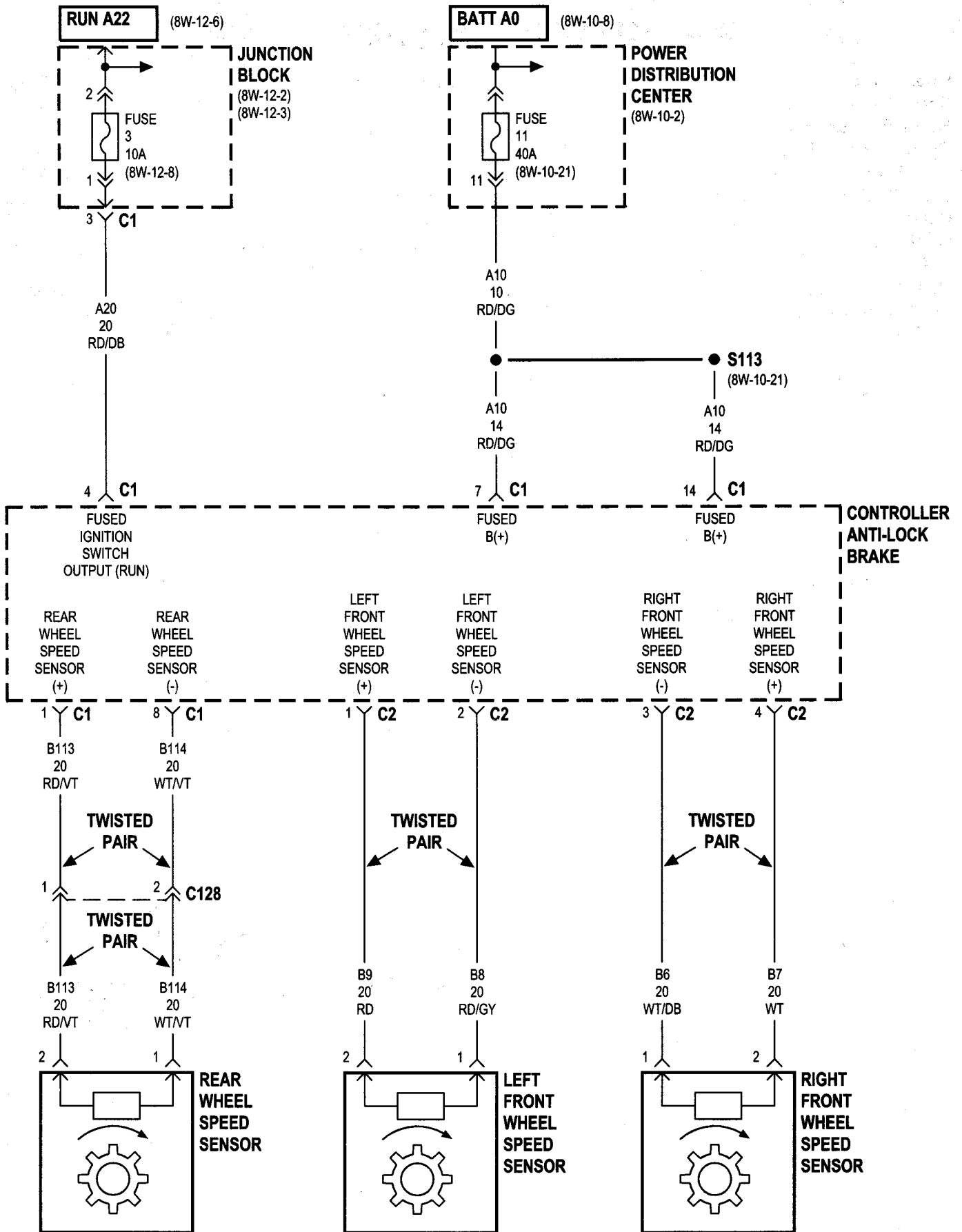
8W-34 REAR WHEEL ANTI-LOCK BRAKES

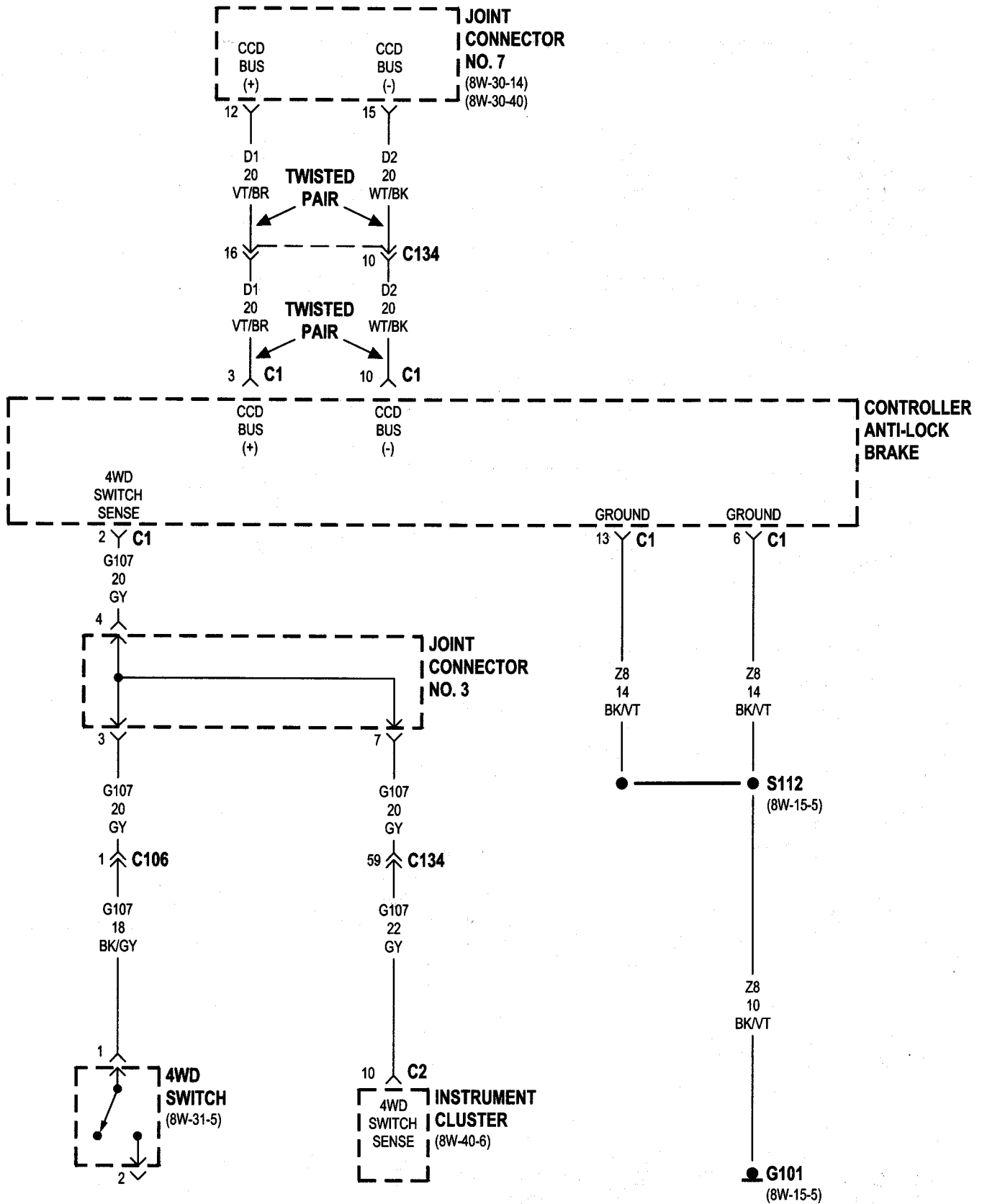
Component	Page	Component	Page
Brake Lamp Switch	8W-34-3	Instrument Cluster	8W-34-2
Brake Pressure Switch	8W-34-3	Joint Connector No. 1	8W-34-3
Controller Anti-Lock Brake	8W-34-2, 3	Joint Connector No. 3	8W-34-2
Fuse 3 (JB)	8W-34-2	Joint Connector No. 4	8W-34-3
Fuse 11 (PDC)	8W-34-2	Joint Connector No. 7	8W-34-2
G100	8W-34-3	Junction Block	8W-34-2
G101	8W-34-2	Power Distribution Center	8W-34-2
G107	8W-34-2	Powertrain Control Module	8W-34-3
G200	8W-34-3	Rear Wheel Speed Sensor	8W-34-2

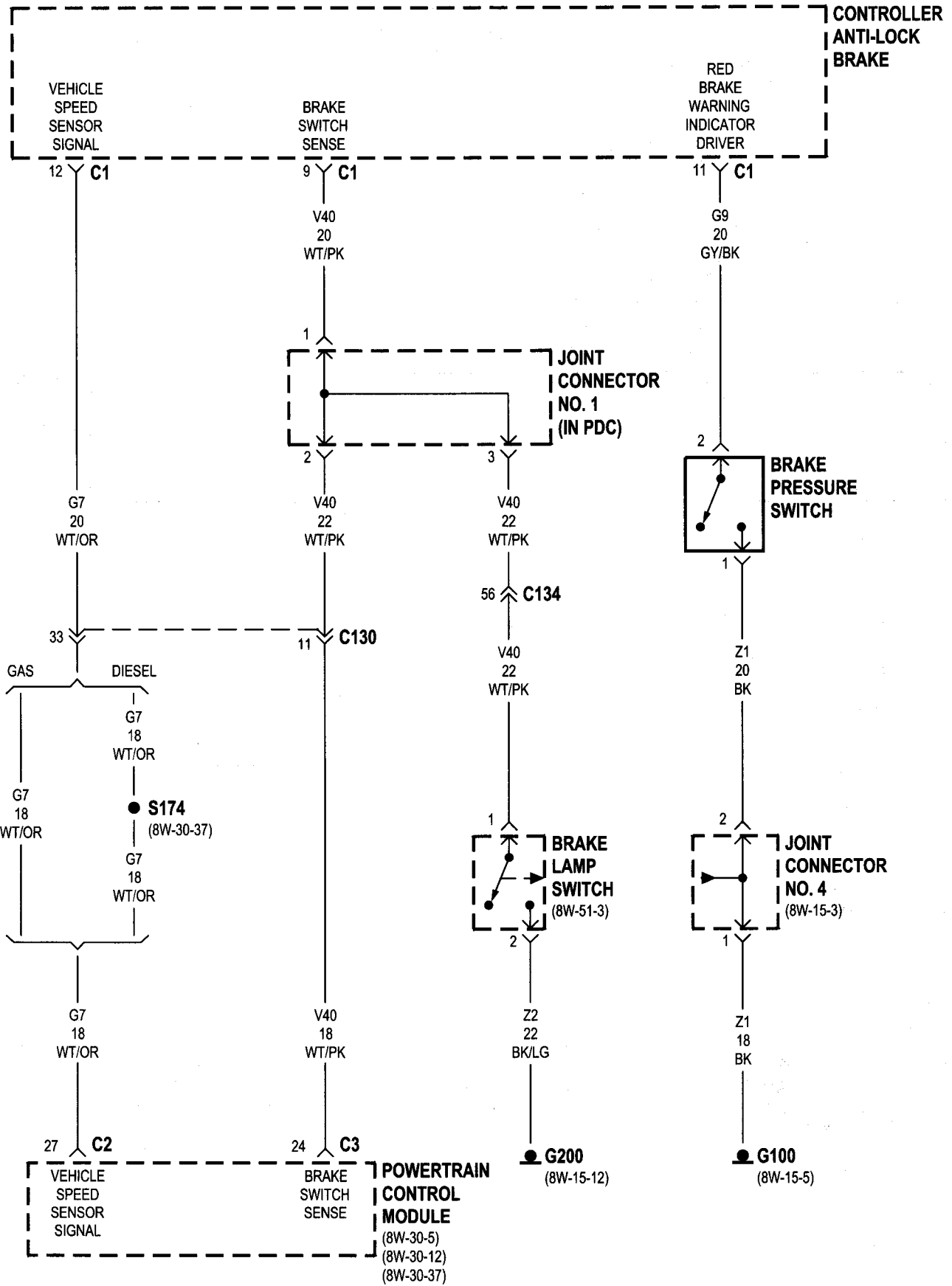


8W-35 ALL-WHEEL ANTI-LOCK BRAKES

Component	Page	Component	Page
Brake Lamp Switch	8W-35-4	Joint Connector No. 1	8W-35-4
Brake Pressure Switch	8W-35-4	Joint Connector No. 3	8W-35-3
Controller Anti-Lock Brake	8W-35-2, 3, 4	Joint Connector No. 4	8W-35-4
Fuse 3 (JB)	8W-35-2	Joint Connector No. 7	8W-35-3
Fuse 11 (PDC)	8W-35-2	Junction Block	8W-35-2
G100	8W-35-4	Left Front Wheel Speed Sensor	8W-35-2
G101	8W-35-3	Power Distribution Center	8W-35-2
G107	8W-35-3	Powertrain Control Module	8W-35-4
G200	8W-35-4	Rear Wheel Speed Sensor	8W-35-2
Instrument Cluster	8W-35-3	Right Front Wheel Speed Sensor	8W-35-2

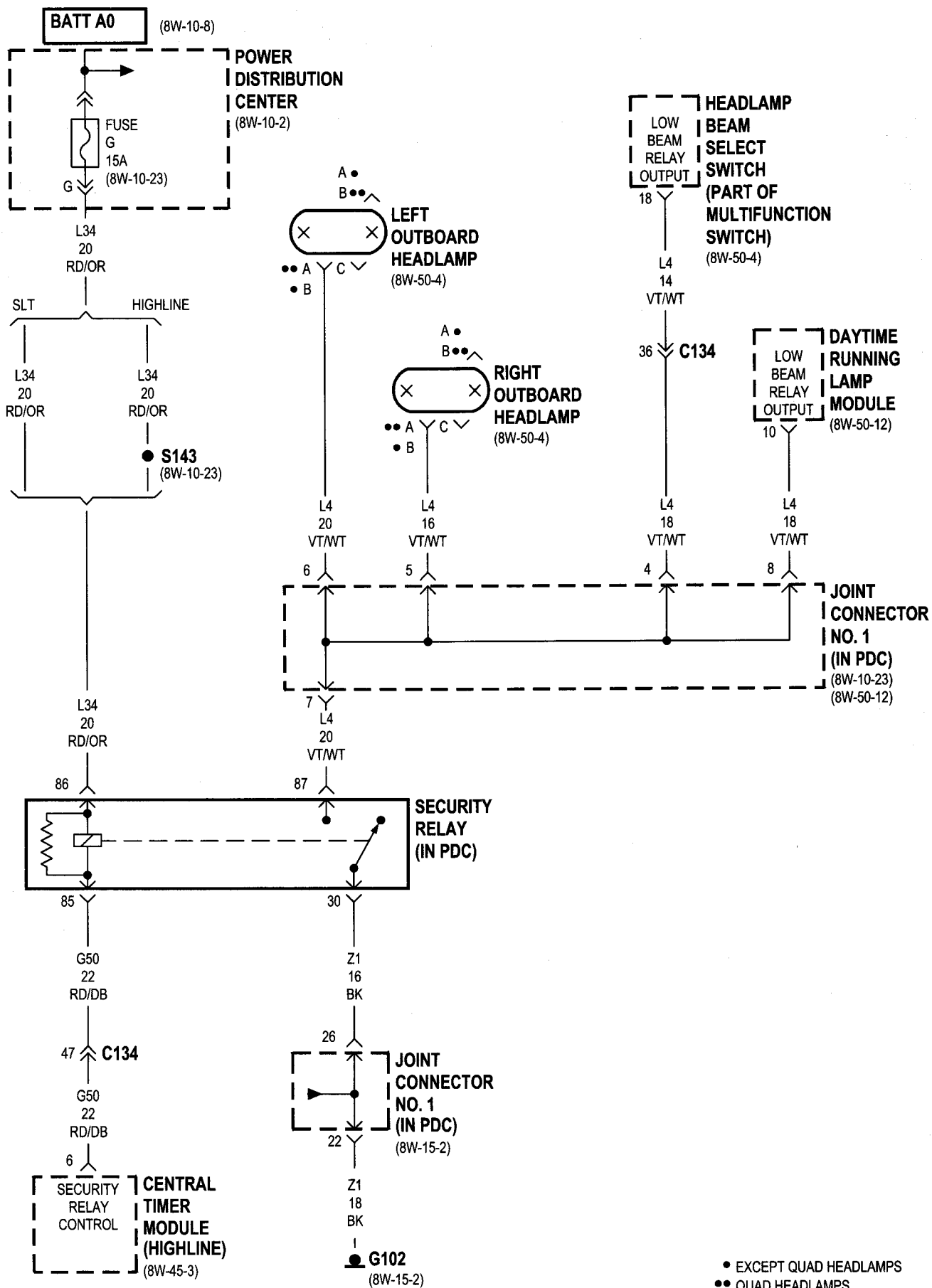


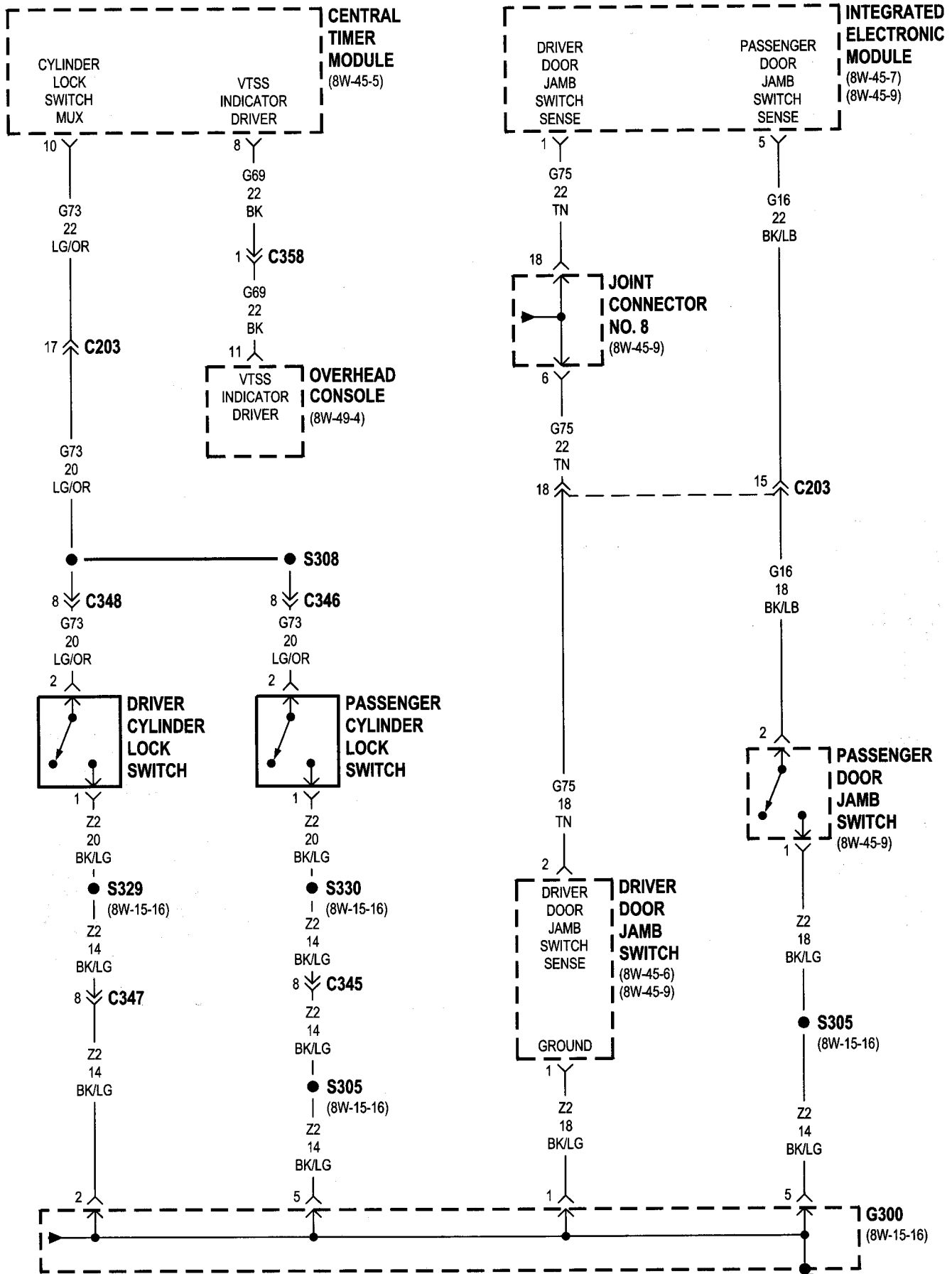




8W-39 VEHICLE THEFT SECURITY SYSTEM

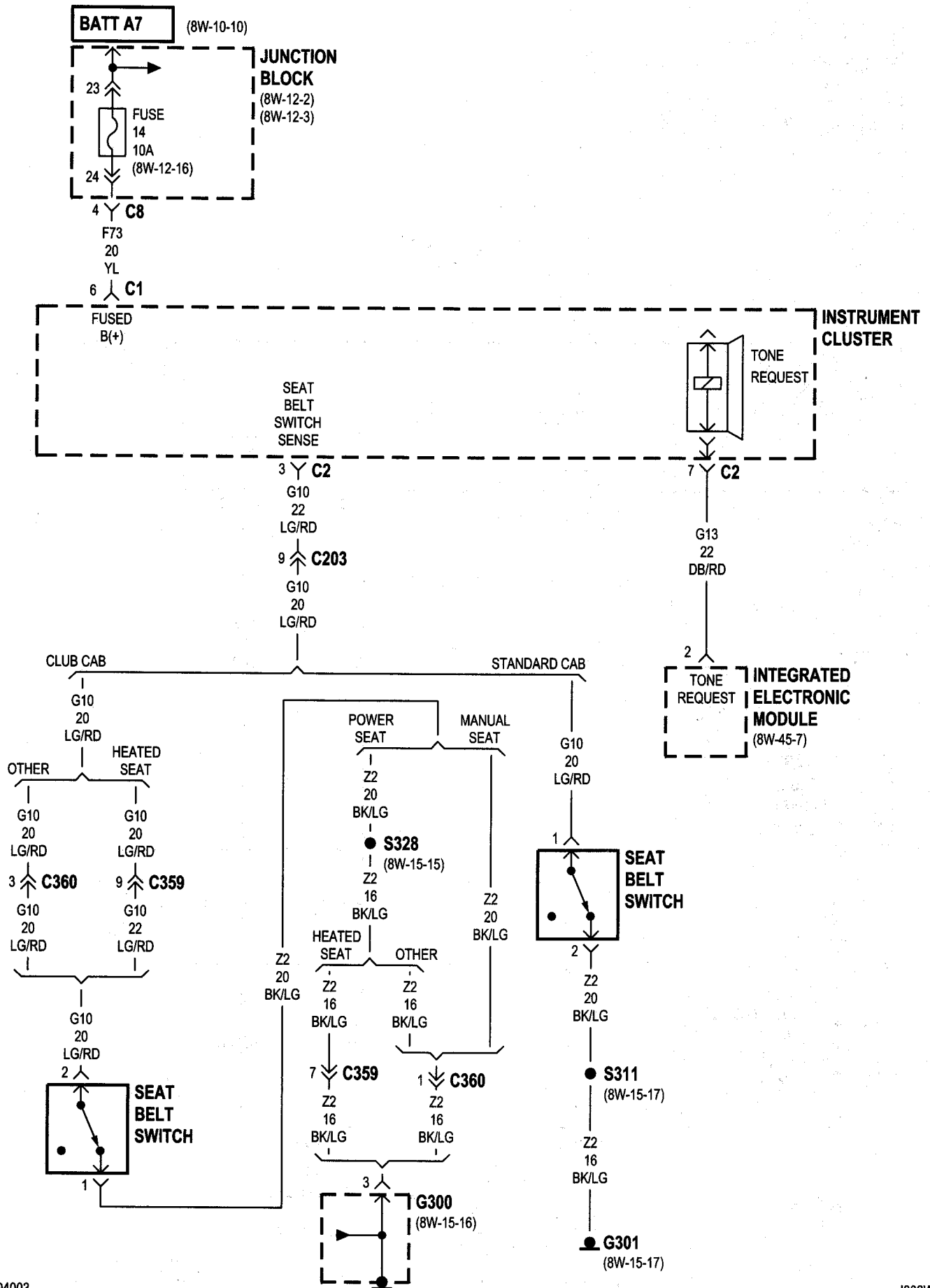
Component	Page	Component	Page
Central Timer Module	8W-39-2, 3, 4	Joint Connector No. 1	8W-39-2, 3
Clockspring No. 1	8W-39-3	Joint Connector No. 6	8W-39-3
Daytime Running Lamp Module	8W-39-2	Joint Connector No. 8	8W-39-4
Driver Cylinder Lock Switch	8W-39-4	Left Outboard Headlamp	8W-39-2
Driver Door Jamb Switch	8W-39-4	Low Note Horn	8W-39-3
Fuse G (PDC)	8W-39-2	Overhead Console	8W-39-4
Fuse H (PDC)	8W-39-3	Passenger Cylinder Lock Switch	8W-39-4
G102	8W-39-2	Passenger Door Jamb Switch	8W-39-4
G300	8W-39-4	Power Distribution Center	8W-39-2, 3
Headlamp Beam Select Switch	8W-39-2	Right Outboard Headlamp	8W-39-2
High Note Horn	8W-39-3	Security Relay	8W-39-2
Horn Relay	8W-39-3	Vehicle Speed Control/Horn Switch	8W-39-3
Integrated Electronic Module	8W-39-4		

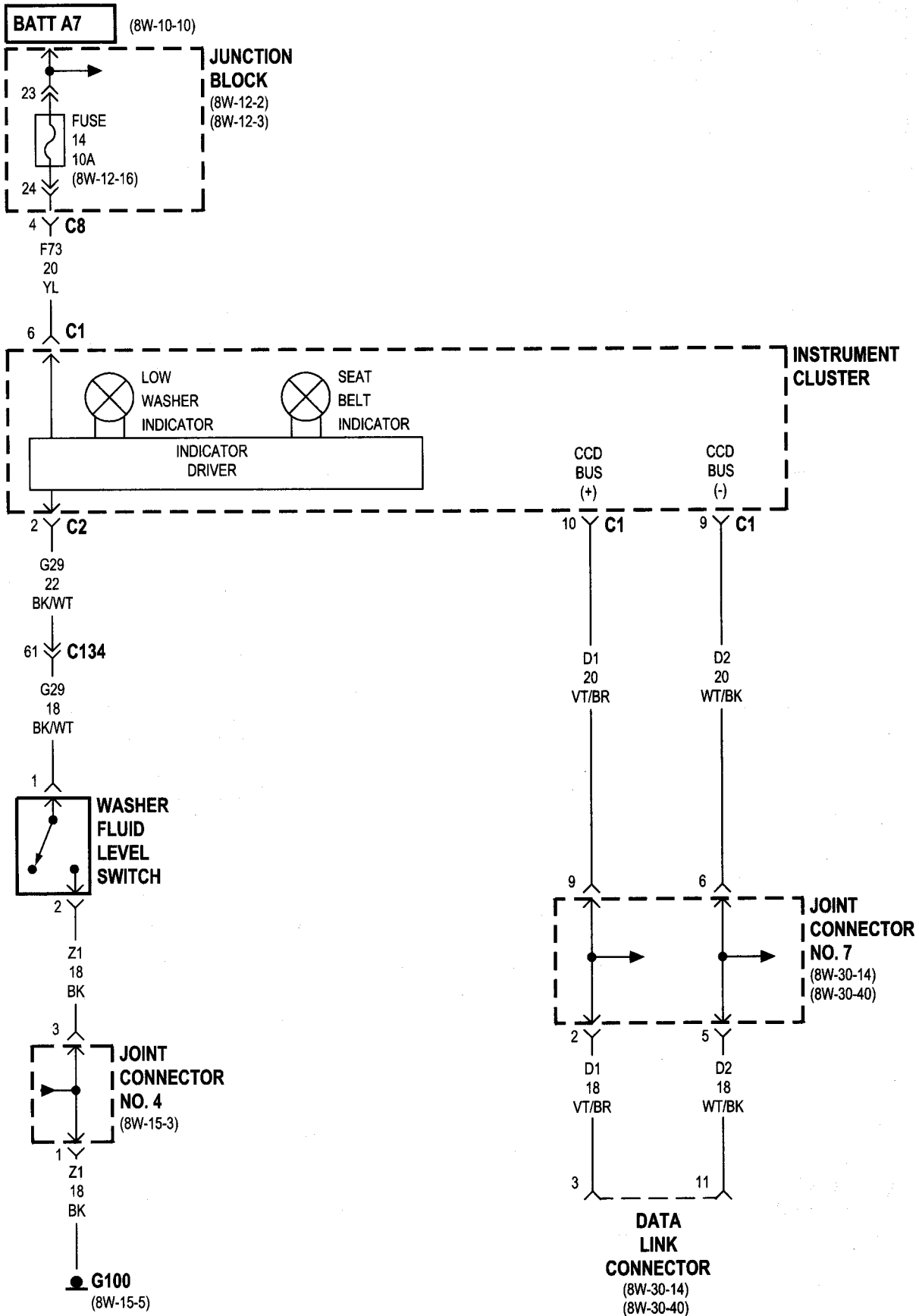




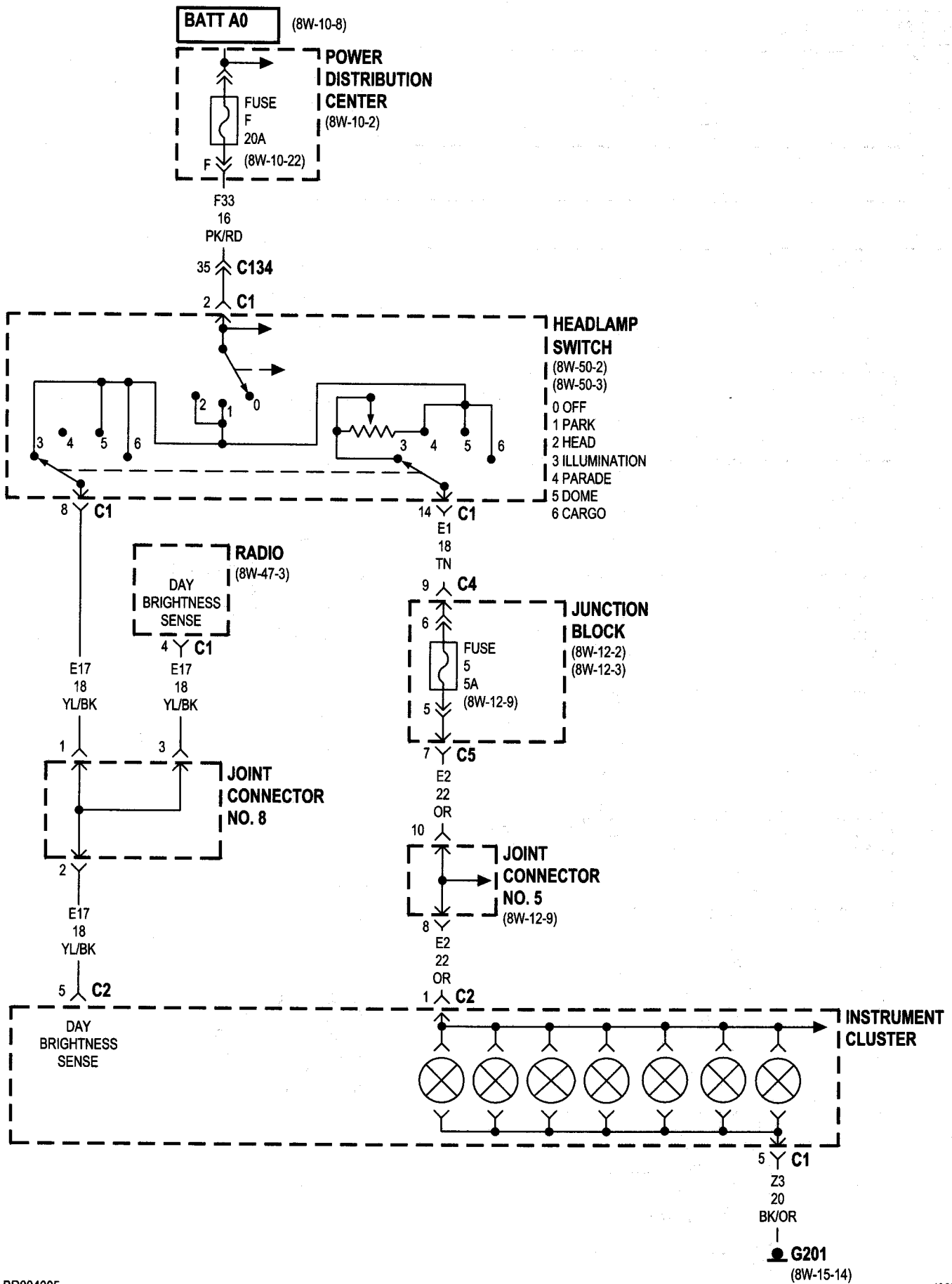
8W-40 INSTRUMENT CLUSTER

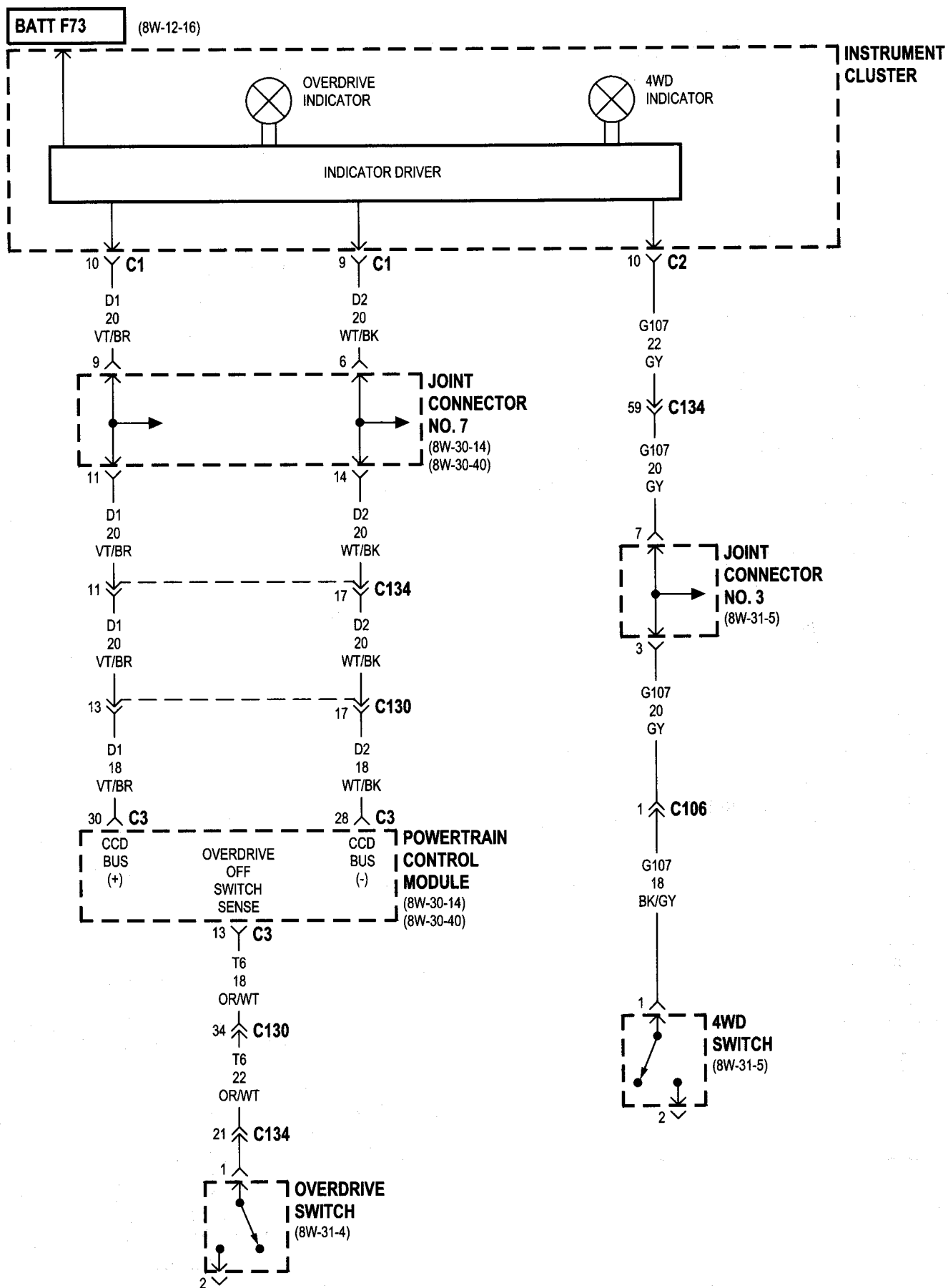
Component	Page	Component	Page
Data Link Connector	8W-40-4	Joint Connector No. 3	8W-40-6
Daytime Running Lamp Module	8W-40-2, 7	Joint Connector No. 4	8W-40-4
Engine Control Module	8W-40-2	Joint Connector No. 5	8W-40-5
Fuse 5 (JB)	8W-40-5	Joint Connector No. 7	8W-40-4, 6
Fuse 14 (JB)	8W-40-2, 3, 4, 7	Joint Connector No. 8	8W-40-5
Fuse 17 (JB)	8W-40-2	Junction Block	8W-40-2, 3, 4, 5, 7
Fuse F (PDC)	8W-40-5	Left Turn Indicator	8W-40-7
G100	8W-40-4	Overdrive Switch	8W-40-6
G200	8W-40-2	Park Brake Switch	8W-40-2
G201	8W-40-2, 5, 7	Power Distribution Center	8W-40-5
G300	8W-40-3	Powertrain Control Module	8W-40-6
G301	8W-40-3	Radio	8W-40-5
Headlamp Beam Select Switch	8W-40-7	Right Turn Indicator	8W-40-7
Headlamp Switch	8W-40-5	Seat Belt Switch	8W-40-3
High Beam Indicator	8W-40-7	Turn Signal/Hazard Switch	8W-40-7
Instrument Cluster	8W-40-2, 3, 4, 5, 6, 7	Washer Fluid Level Switch	8W-40-4
Integrated Electronic Module	8W-40-3		

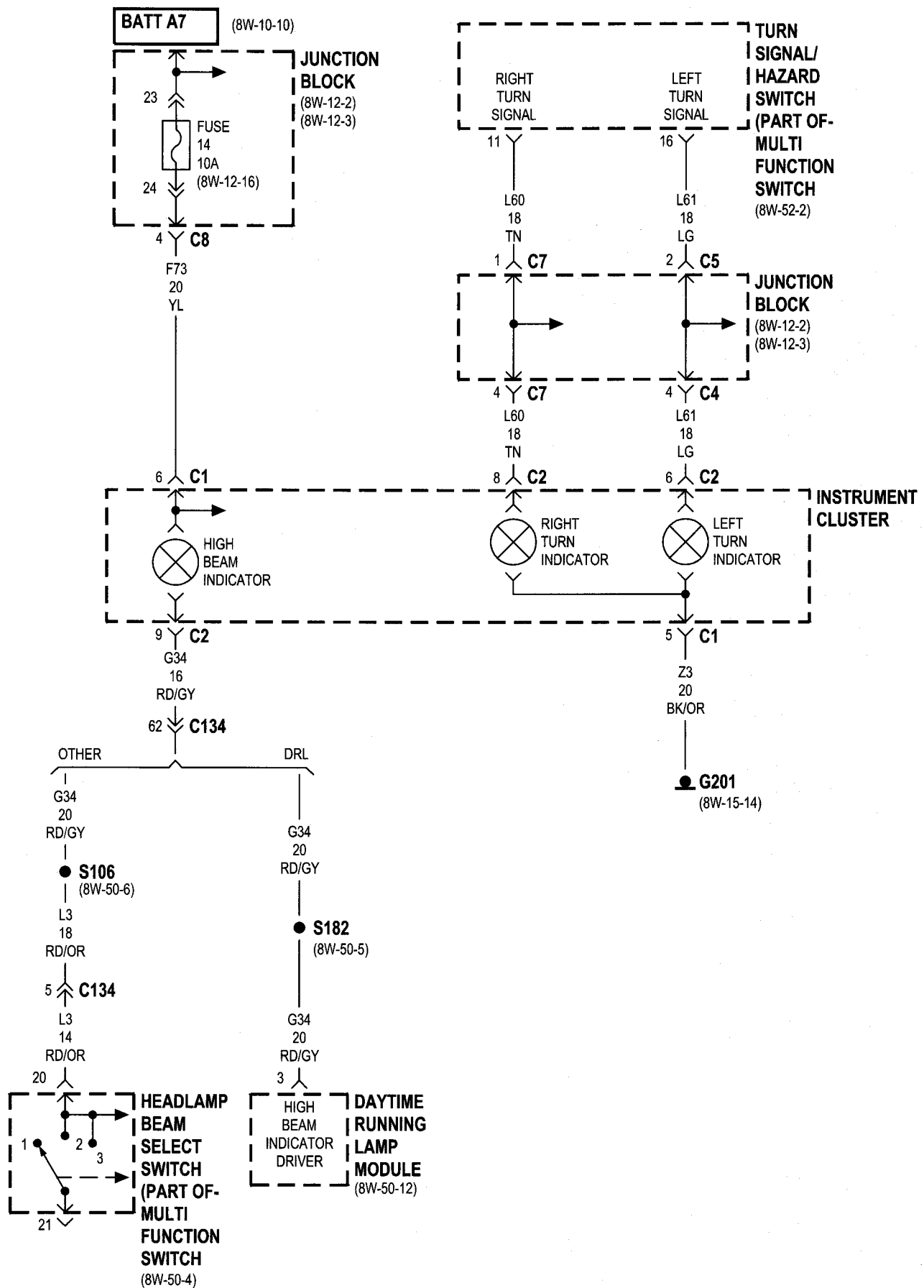




- STANDARD CAB
- CLUB CAB



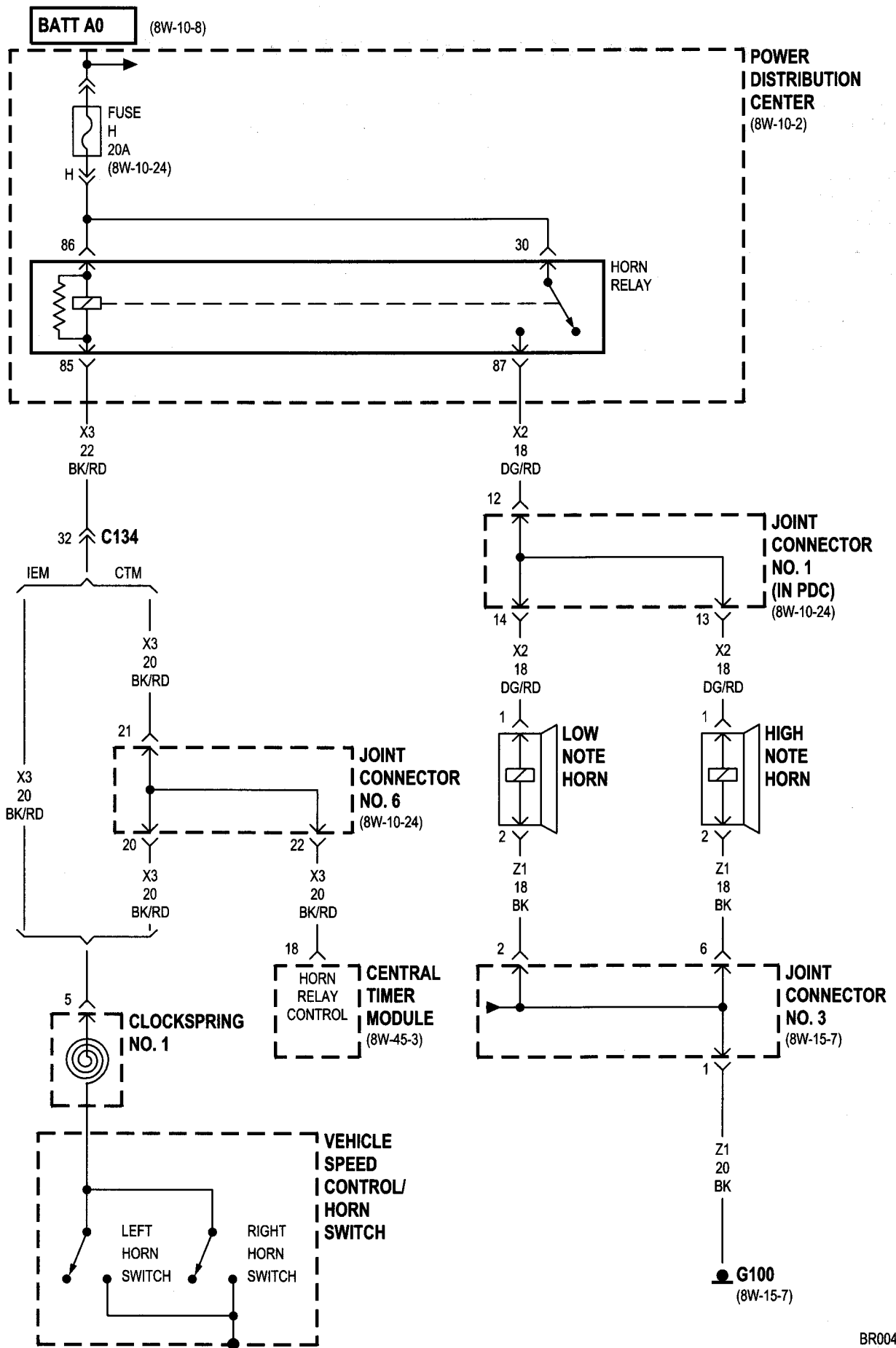


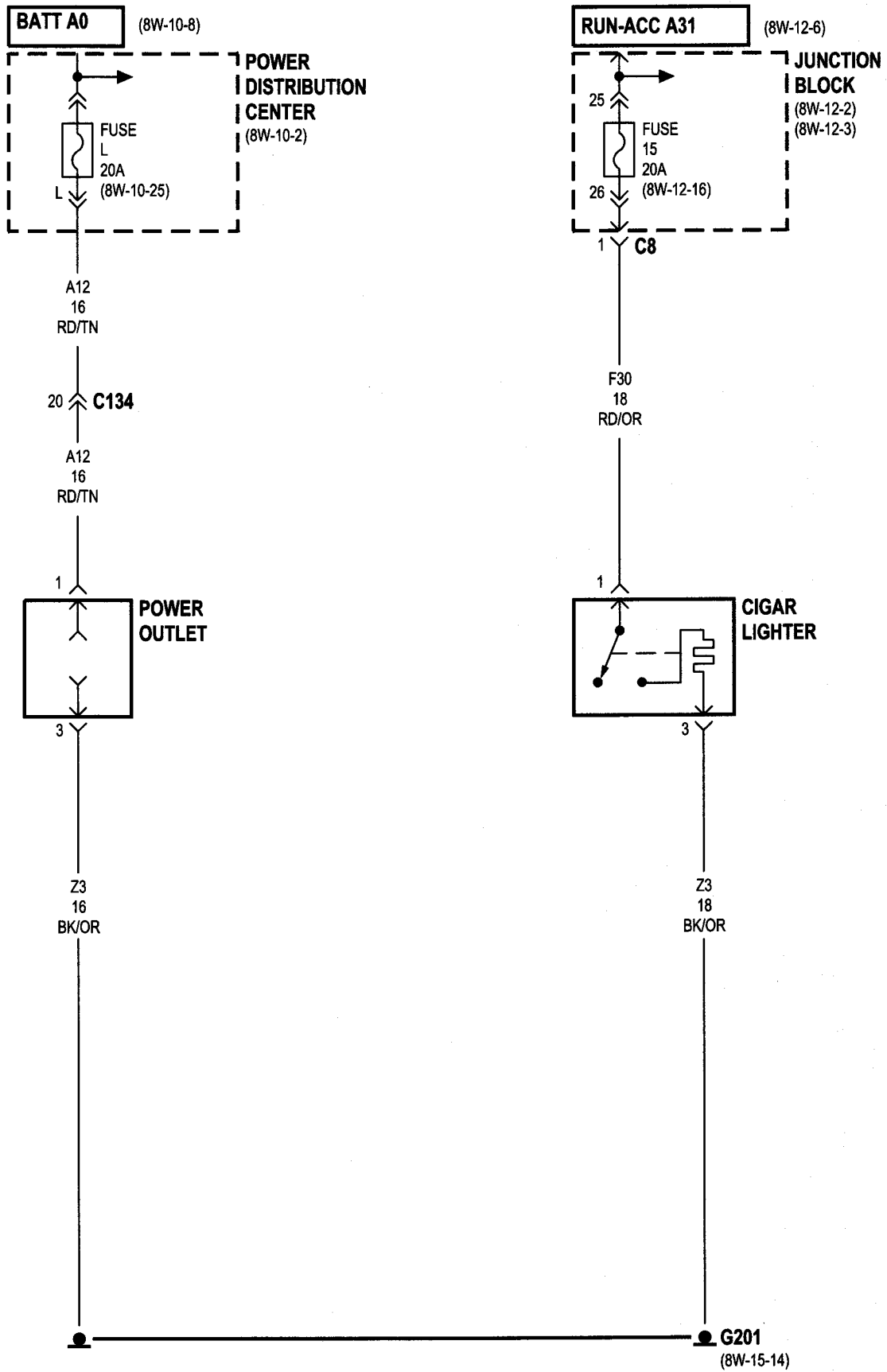




8W-41 HORN/CIGAR LIGHTER/POWER OUTLET

Component	Page	Component	Page
Central Timer Module	8W-41-2	Joint Connector No. 1	8W-41-2
Cigar Lighter	8W-41-3	Joint Connector No. 3	8W-41-2
Clockspring No. 1	8W-41-2	Joint Connector No. 6	8W-41-2
Fuse 15 (JB)	8W-41-3	Junction Block	8W-41-3
Fuse H (PDC)	8W-41-2	Left Horn Switch	8W-41-2
Fuse L (PDC)	8W-41-3	Low Note Horn	8W-41-2
G100	8W-41-2	Power Distribution Center	8W-41-2, 3
G201	8W-41-3	Power Outlet	8W-41-3
High Note Horn	8W-41-2	Right Horn Switch	8W-41-2
Horn Relay	8W-41-2	Vehicle Speed Control/Horn Switch	8W-41-2

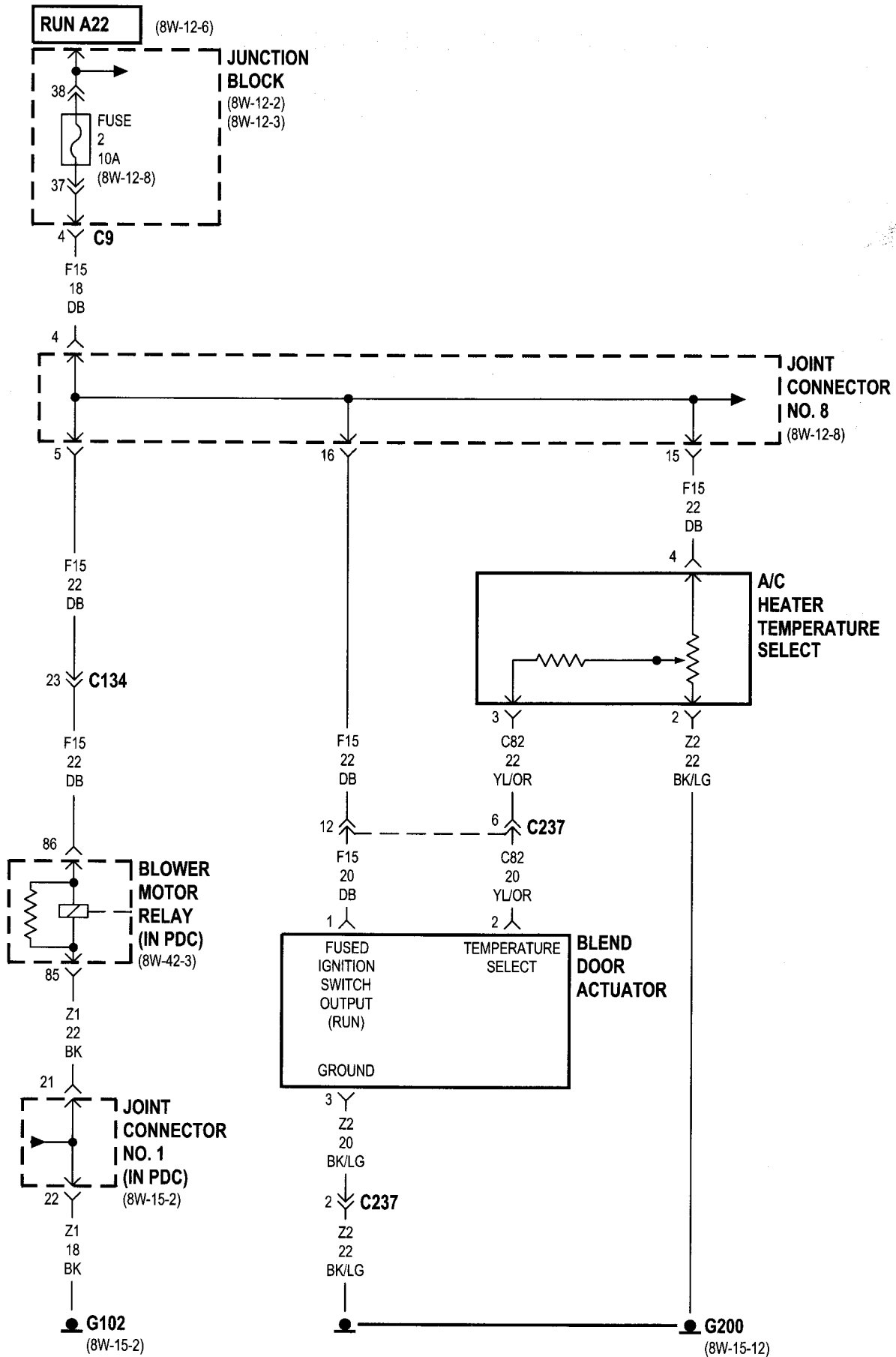


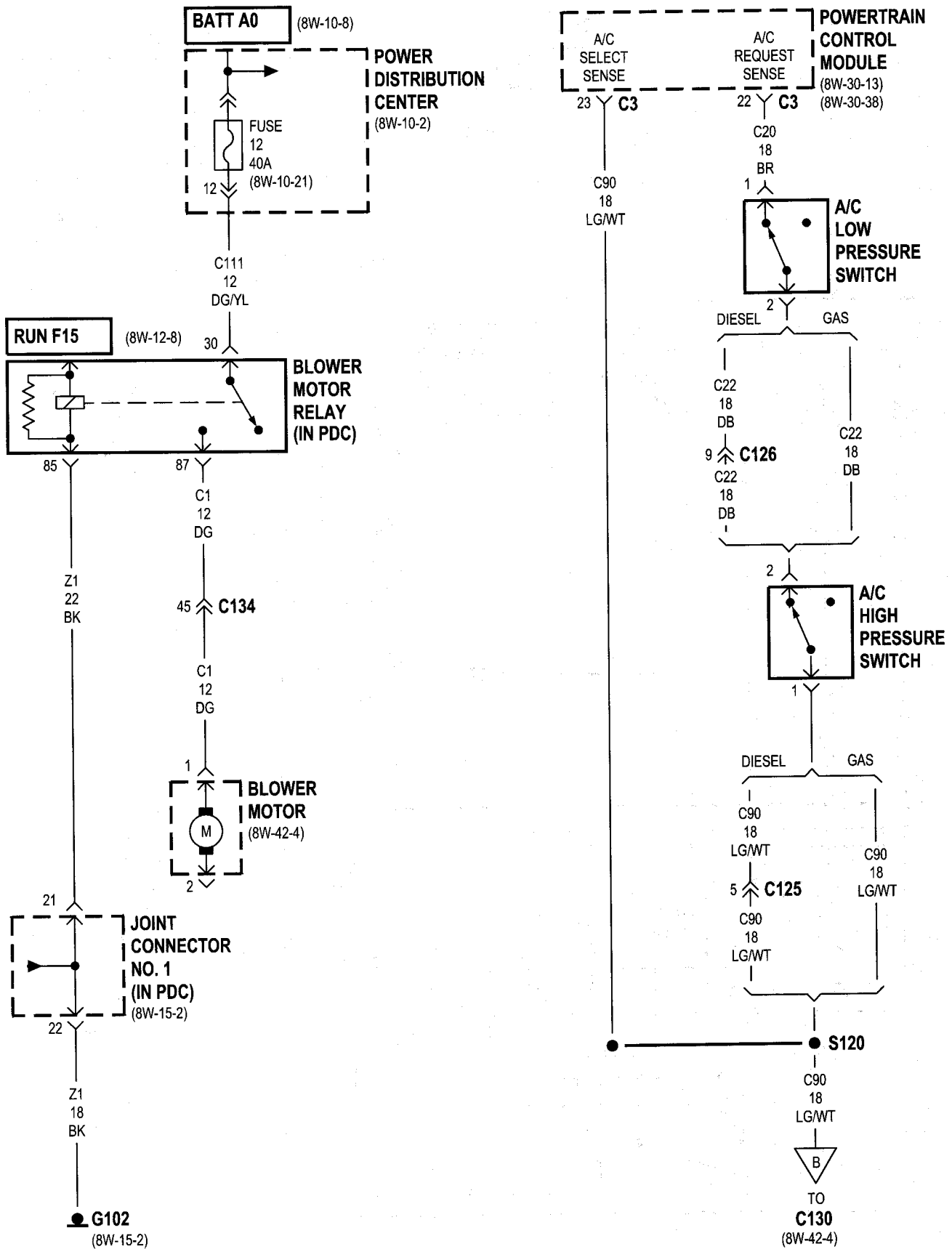


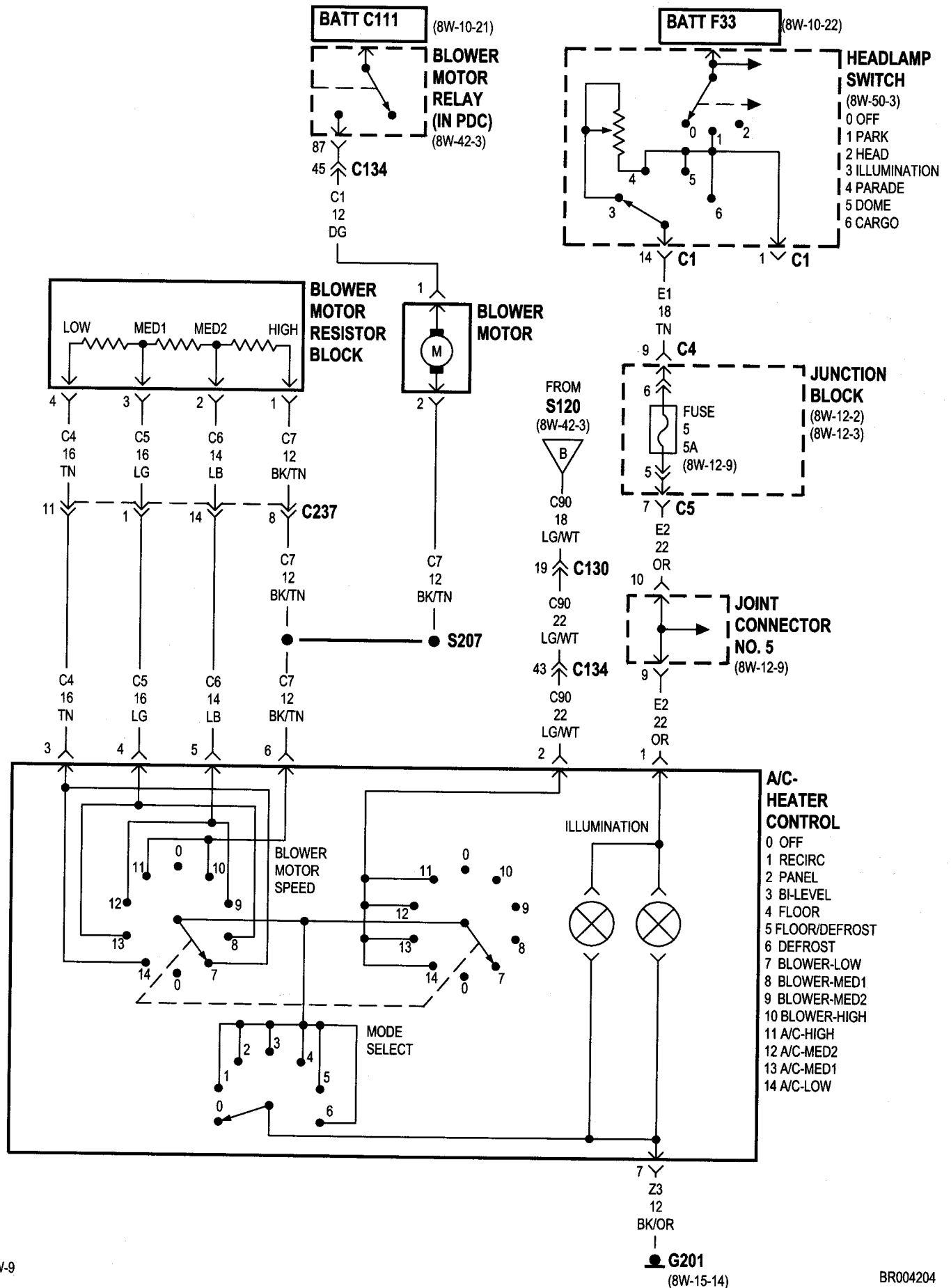


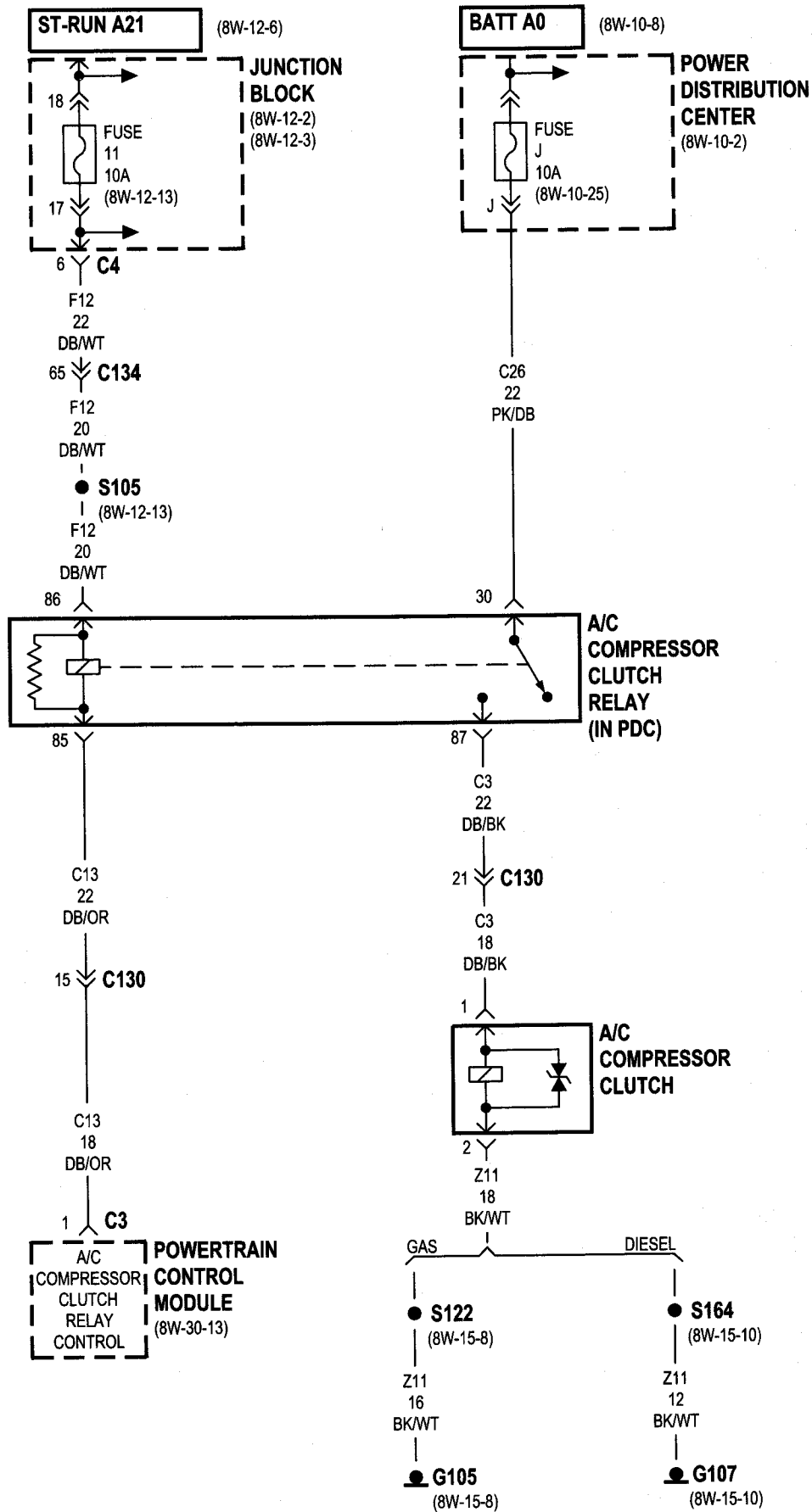
8W-42 AIR CONDITIONING/HEATER

Component	Page	Component	Page
A/C Compressor Clutch	8W-42-5	Fuse J (PDC)	8W-42-5
A/C Compressor Clutch Relay	8W-42-5	G102	8W-42-2, 3
A/C Heater Temperature Select	8W-42-2	G105	8W-42-5
A/C High Pressure Switch	8W-42-3	G107	8W-42-5
A/C Low Pressure Switch	8W-42-3	G200	8W-42-2
A/C- Heater Control	8W-42-4	G201	8W-42-4
Blend Door Actuator	8W-42-2	Headlamp Switch	8W-42-4
Blower Motor	8W-42-3, 4	Joint Connector No. 1	8W-42-2, 3
Blower Motor Relay	8W-42-2, 3, 4	Joint Connector No. 5	8W-42-4
Blower Motor Resistor Block	8W-42-4	Joint Connector No. 8	8W-42-2
Fuse 2 (JB)	8W-42-2	Junction Block	8W-42-2, 4, 5
Fuse 5 (JB)	8W-42-4	Power Distribution Center	8W-42-3, 5
Fuse 11 (JB)	8W-42-5	Powertrain Control Module	8W-42-3, 5
Fuse 12 (PDC)	8W-42-3		



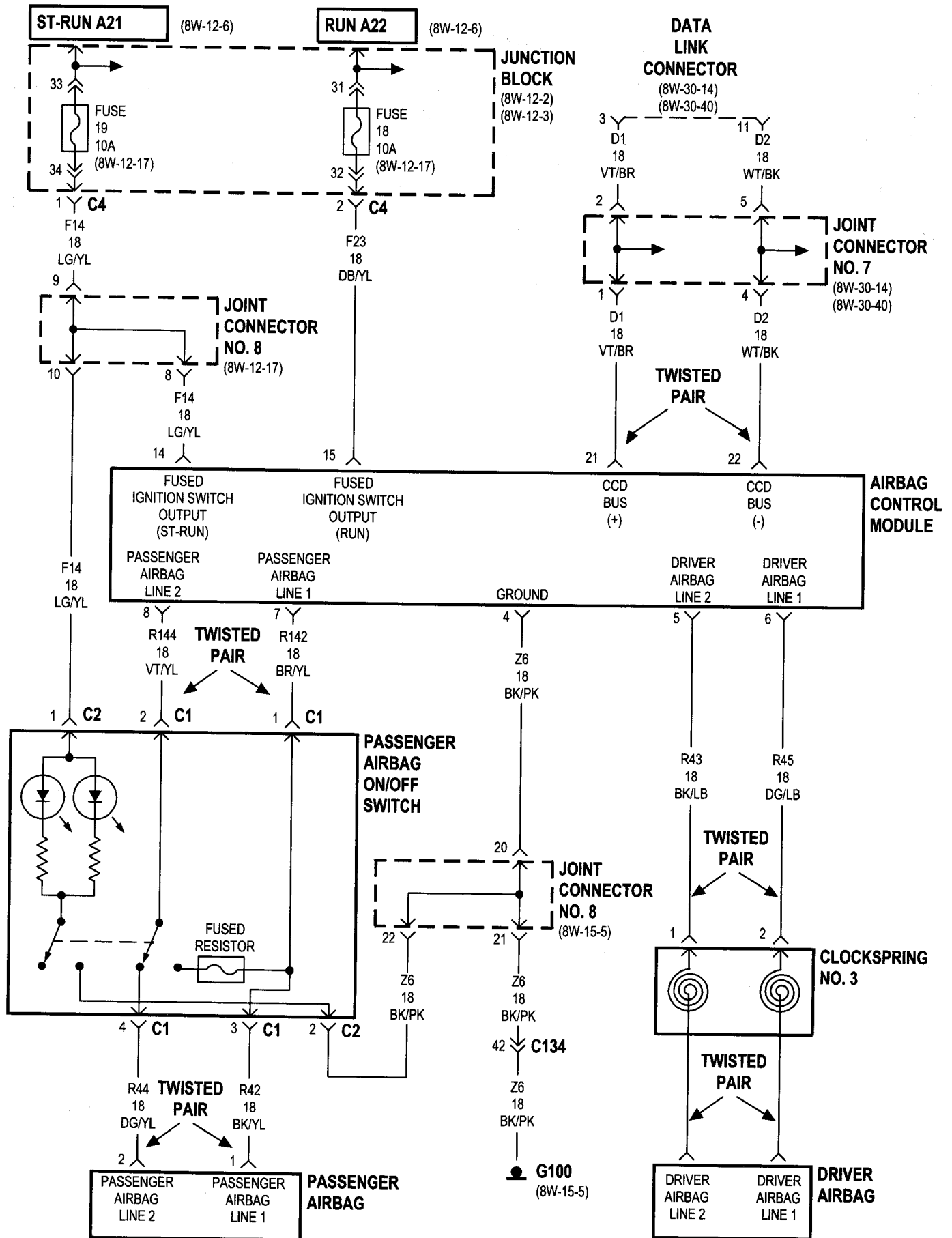






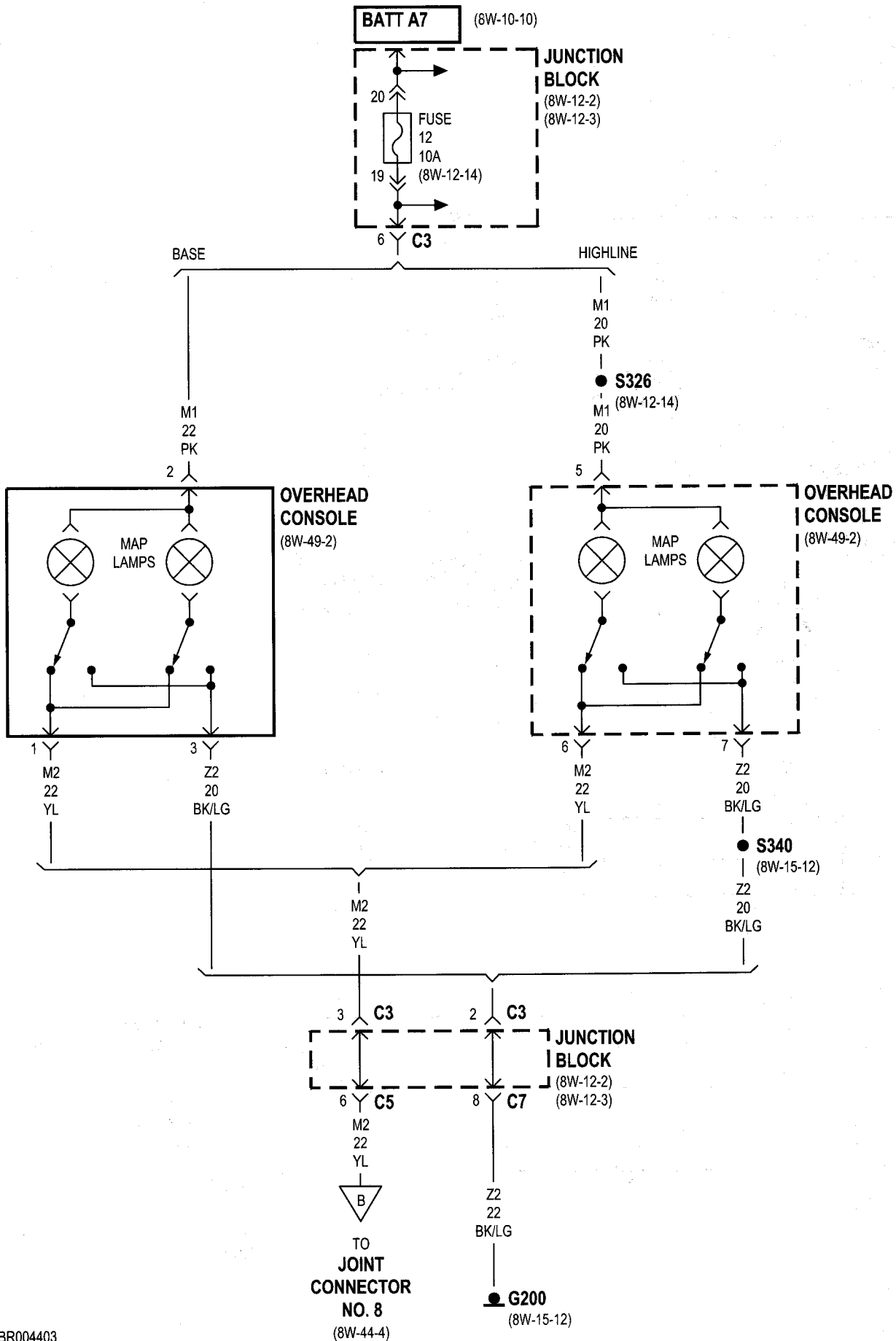
8W-43 AIRBAG SYSTEM

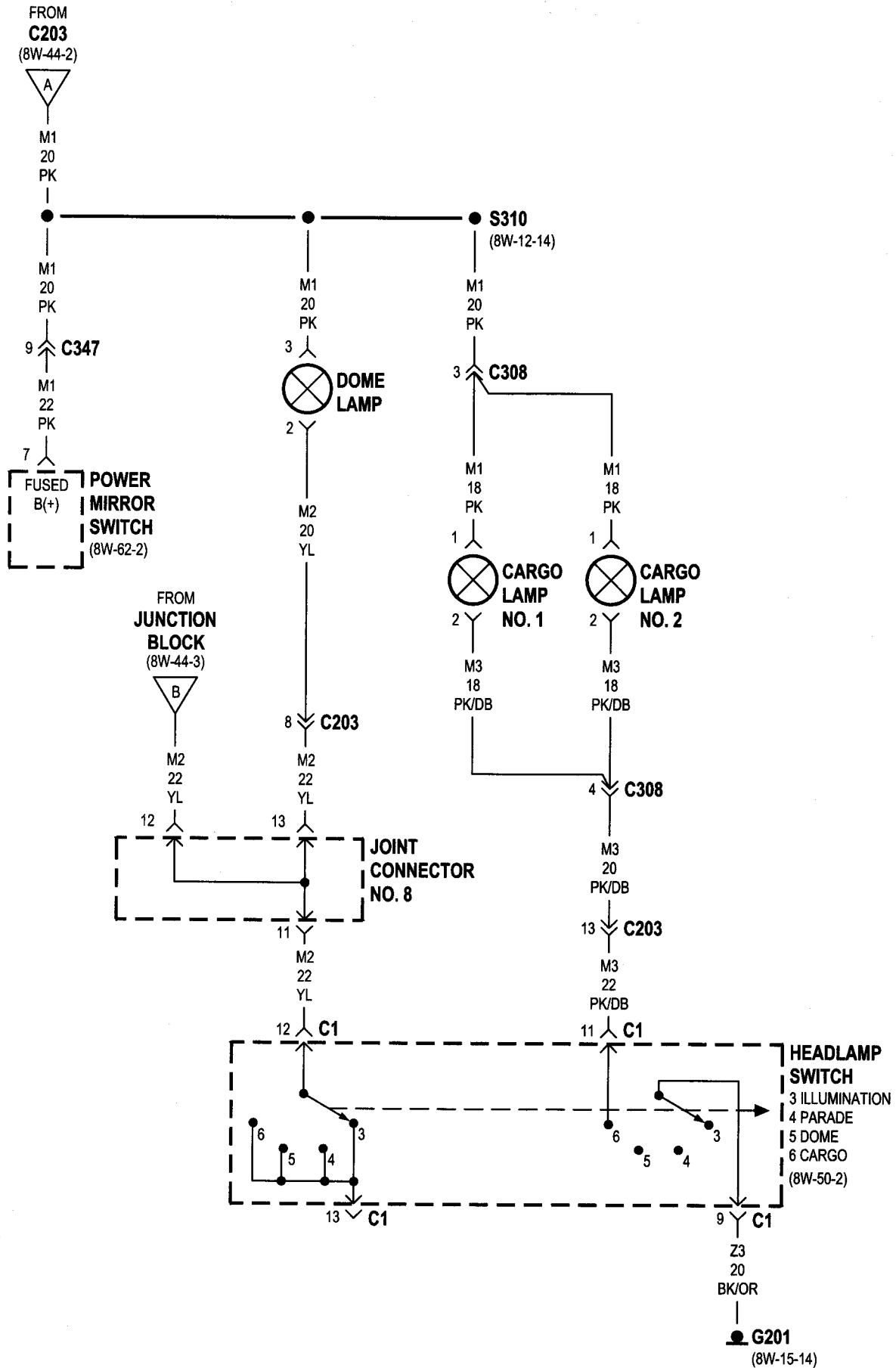
Component	Page	Component	Page
Airbag Control Module	8W-43-2	G100	8W-43-2
Clockspring No. 3	8W-43-2	Joint Connector No. 7	8W-43-2
Data Link Connector	8W-43-2	Joint Connector No. 8	8W-43-2
Driver Airbag	8W-43-2	Junction Block	8W-43-2
Fuse 18 (JB)	8W-43-2	Passenger Airbag	8W-43-2
Fuse 19 (JB)	8W-43-2	Passenger Airbag On/Off Switch	8W-43-2

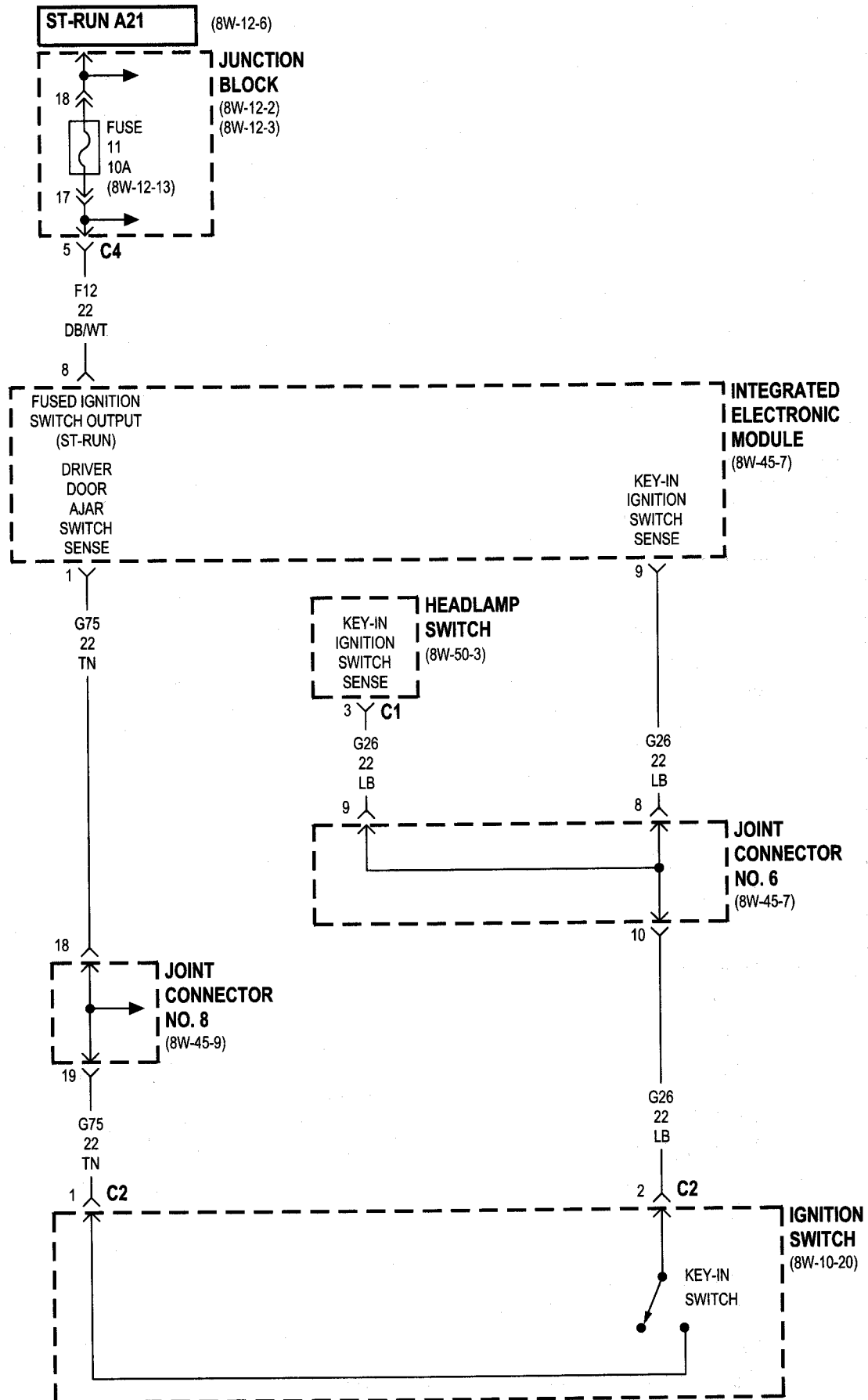


8W-44 INTERIOR LIGHTING

Component	Page	Component	Page
Ash Receiver Lamp	8W-44-6	Ignition Switch	8W-44-5
Cargo Lamp No. 1	8W-44-4	Integrated Electronic Module	8W-44-5
Cargo Lamp No. 2	8W-44-4	Joint Connector No. 4	8W-44-2
Cup Holder Lamp	8W-44-6	Joint Connector No. 5	8W-44-2, 6
Data Link Connector	8W-44-2	Joint Connector No. 6	8W-44-5
Dome Lamp	8W-44-4	Joint Connector No. 8	8W-44-4, 5, 6
Fuse 5 (JB)	8W-44-6	Junction Block	8W-44-2, 3, 4, 5, 6
Fuse 11 (JB)	8W-44-5	Key-In Switch	8W-44-5
Fuse 12 (JB)	8W-44-2, 3	Left Visor/Vanity Lamp	8W-44-2
G100	8W-44-2	Overhead Console	8W-44-3
G200	8W-44-3	Power Mirror Switch	8W-44-4
G201	8W-44-2, 4, 6	Radio	8W-44-2, 6
Glove Box Lamp	8W-44-2	Right Visor/Vanity Lamp	8W-44-2
Headlamp Switch	8W-44-4, 5, 6	Underhood Lamp	8W-44-2

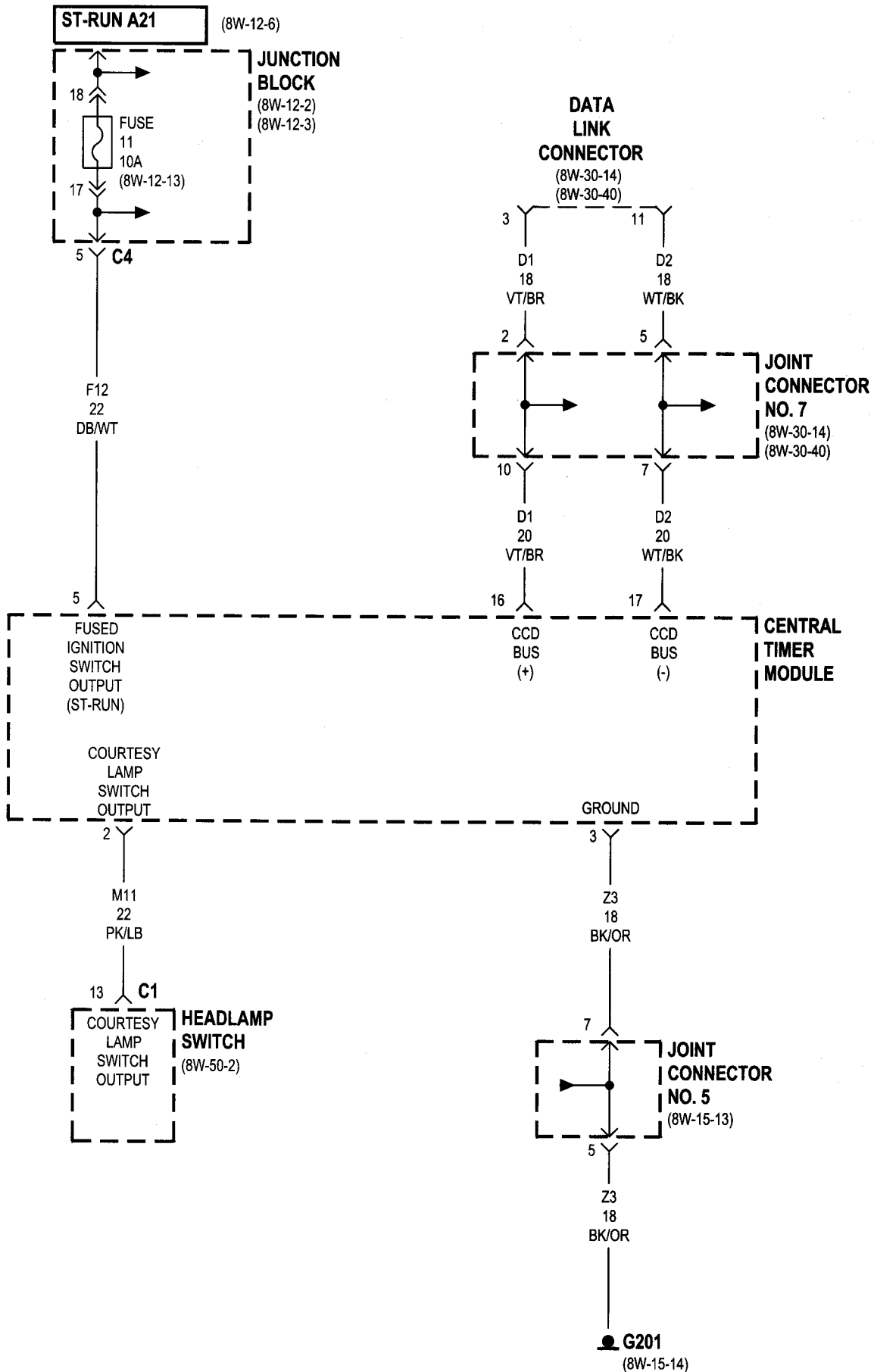


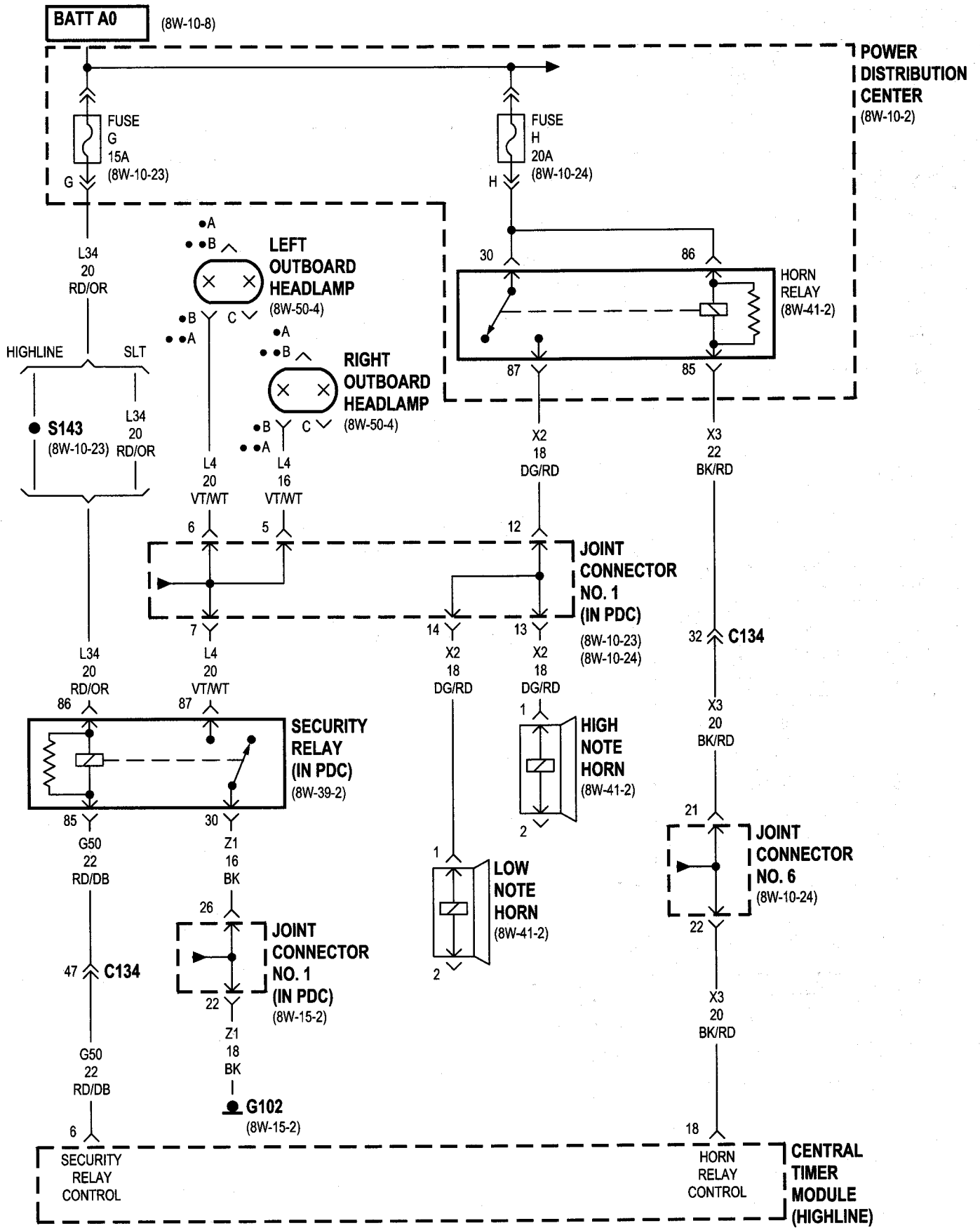




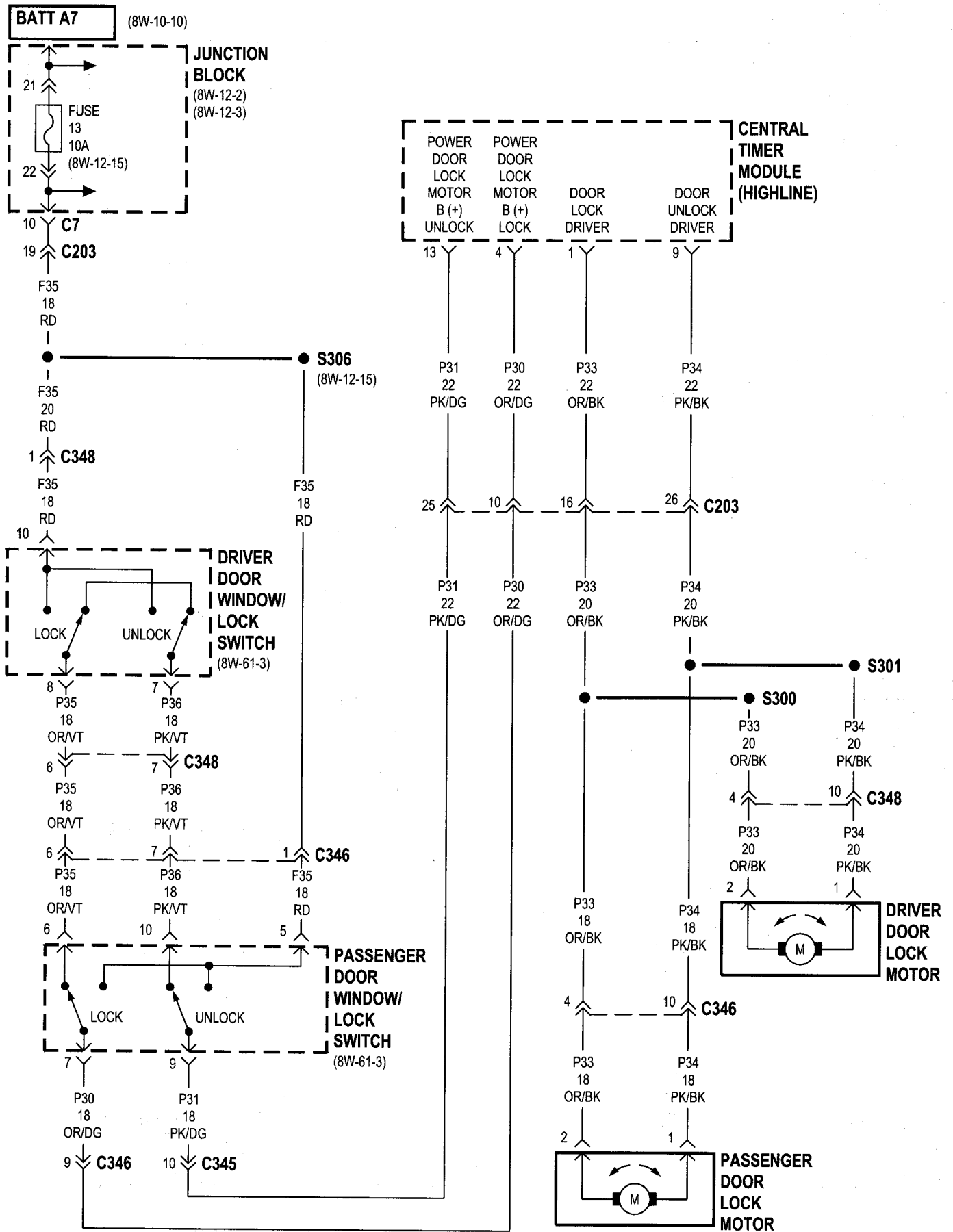
8W-45 CENTRAL TIMER MODULE

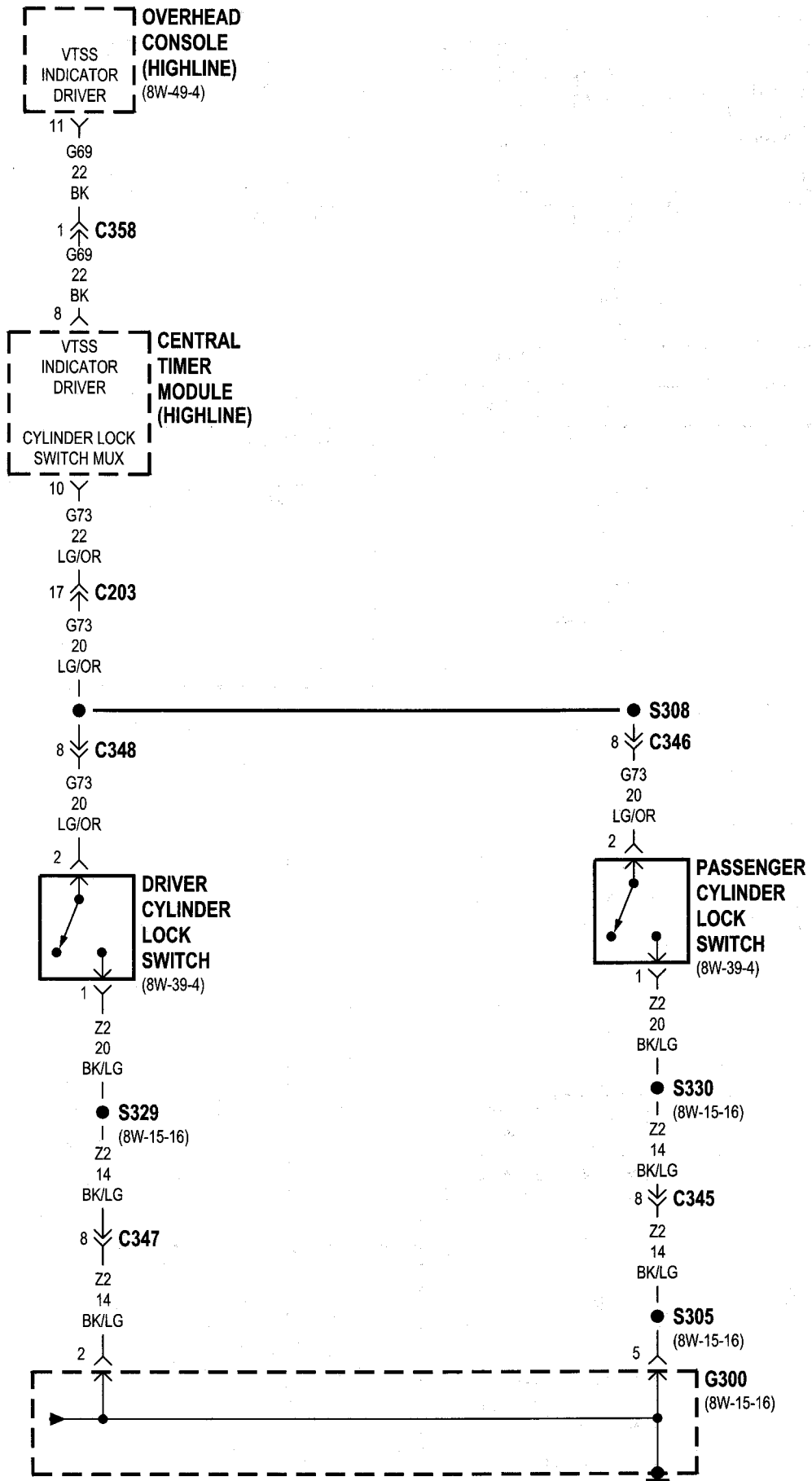
Component	Page	Component	Page
Central Timer Module	8W-45-2, 3, 4, 5, 6	Integrated Electronic Module	8W-45-7, 8, 9
Clockspring No. 1	8W-45-6	Intermittent Wiper Switch	8W-45-8
Data Link Connector	8W-45-2	Joint Connector No. 1	8W-45-3
Driver Cylinder Lock Switch	8W-45-5	Joint Connector No. 2	8W-45-8
Driver Door Jamb Switch	8W-45-6, 9	Joint Connector No. 5	8W-45-2
Driver Door Lock Motor	8W-45-4	Joint Connector No. 6	8W-45-3, 7, 8, 9
Driver Door Window/Lock Switch	8W-45-4	Joint Connector No. 7	8W-45-2
Fuse 6 (JB)	8W-45-7	Joint Connector No. 8	8W-45-6, 7, 9
Fuse 11 (JB)	8W-45-2, 7	Junction Block	8W-45-2, 4, 6, 7, 8
Fuse 13 (JB)	8W-45-4, 7	Left Outboard Headlamp	8W-45-3
Fuse G (PDC)	8W-45-3	Low Note Horn	8W-45-3
Fuse H (PDC)	8W-45-3	Overhead Console	8W-45-5
G102	8W-45-3	Passenger Cylinder Lock Switch	8W-45-5
G200	8W-45-7	Passenger Door Jamb Switch	8W-45-9
G201	8W-45-2	Passenger Door Lock Motor	8W-45-4
G300	8W-45-5, 6, 9	Passenger Door Window/Lock Switch	8W-45-4
Headlamp Switch	8W-45-2, 6, 7, 9	Power Distribution Center	8W-45-3
Heated Seat Relay	8W-45-6	Right Outboard Headlamp	8W-45-3
High Note Horn	8W-45-3	Security Relay	8W-45-3
Horn Relay	8W-45-3	Vehicle Speed Control/Horn Switch	8W-45-6
Ignition Switch	8W-45-6, 7, 9	Wiper Motor	8W-45-8
Instrument Cluster	8W-45-7	Wiper Motor Relay	8W-45-8

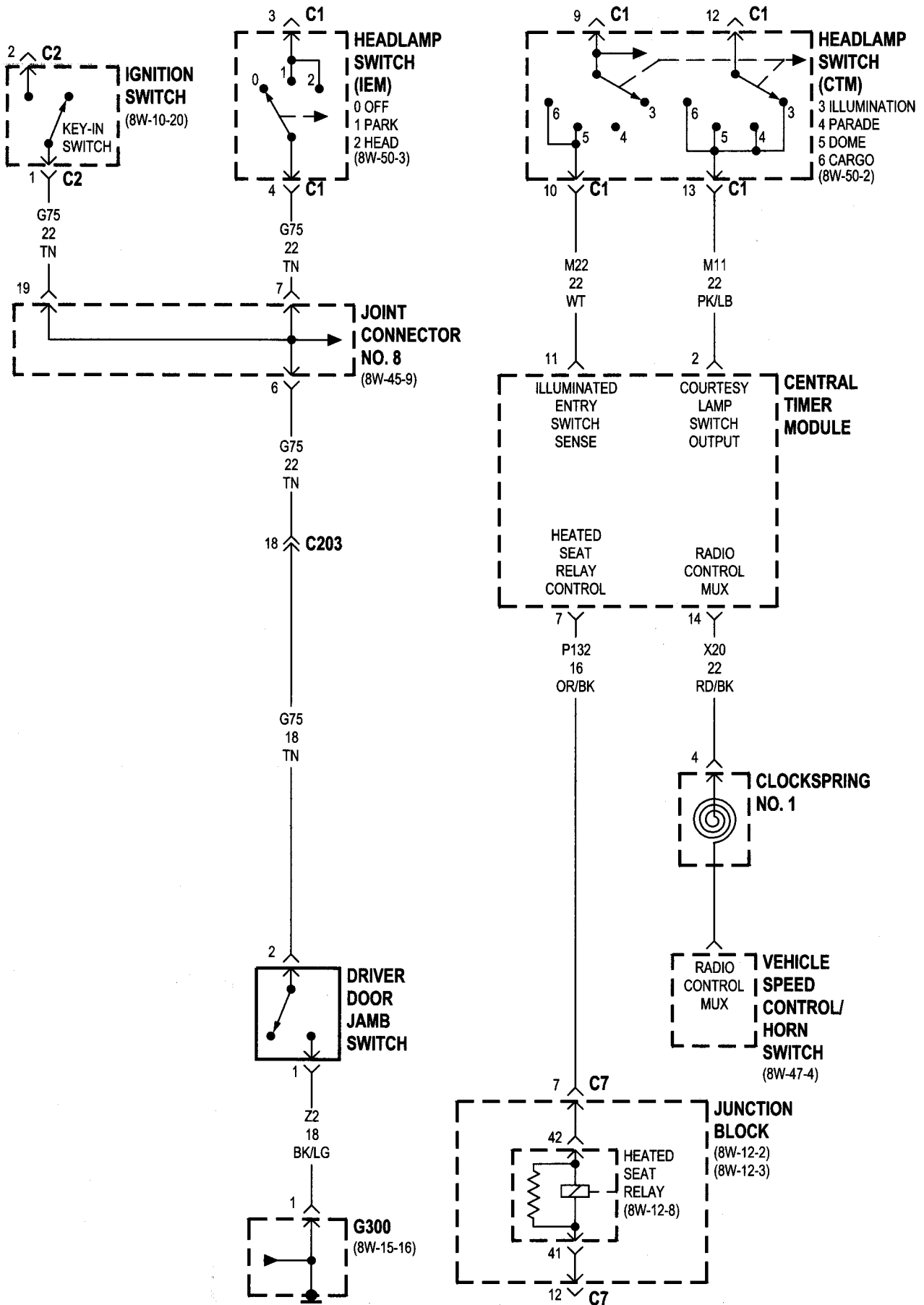




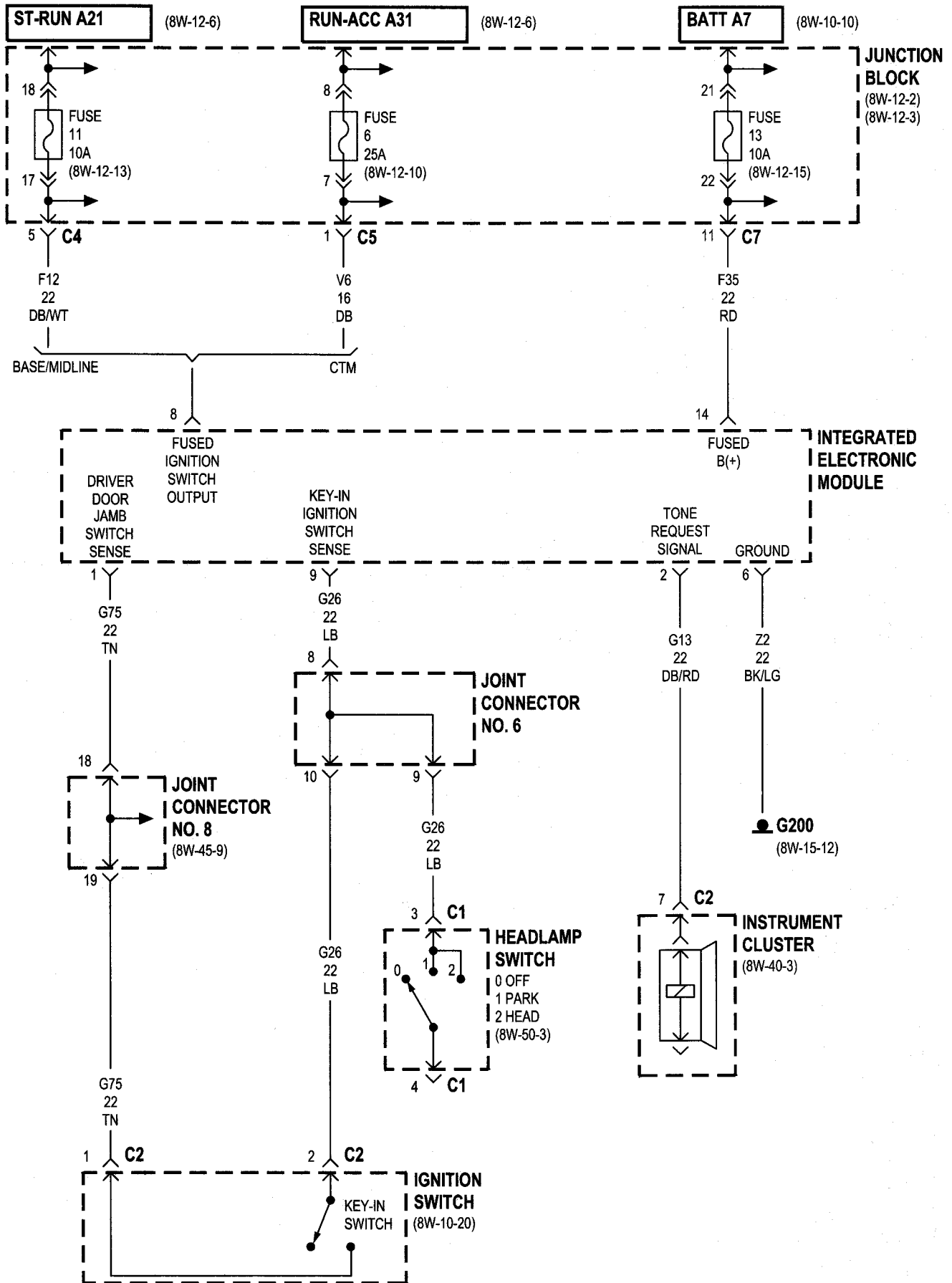
- • QUAD HEADLAMPS
- EXCEPT QUAD HEADLAMPS

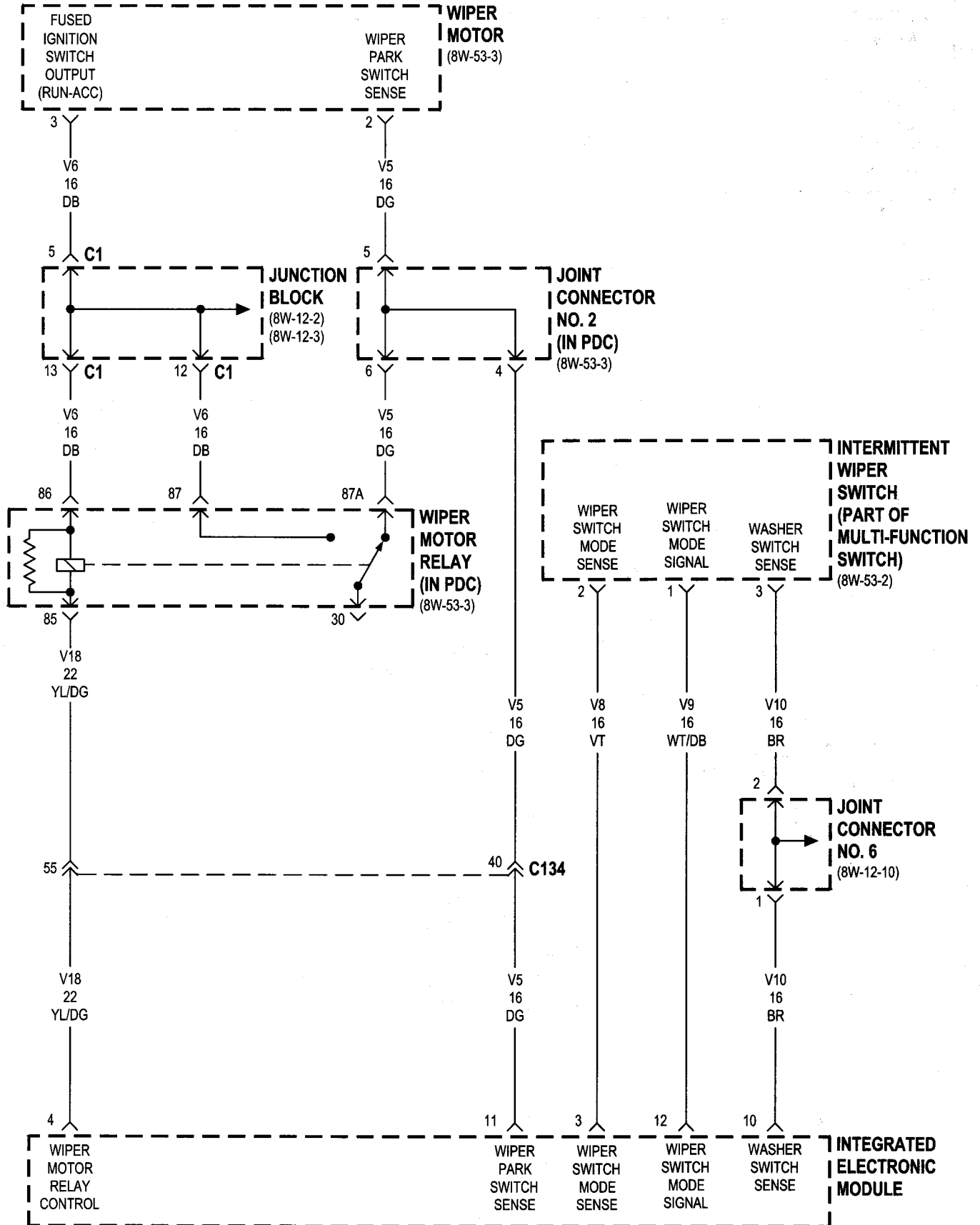




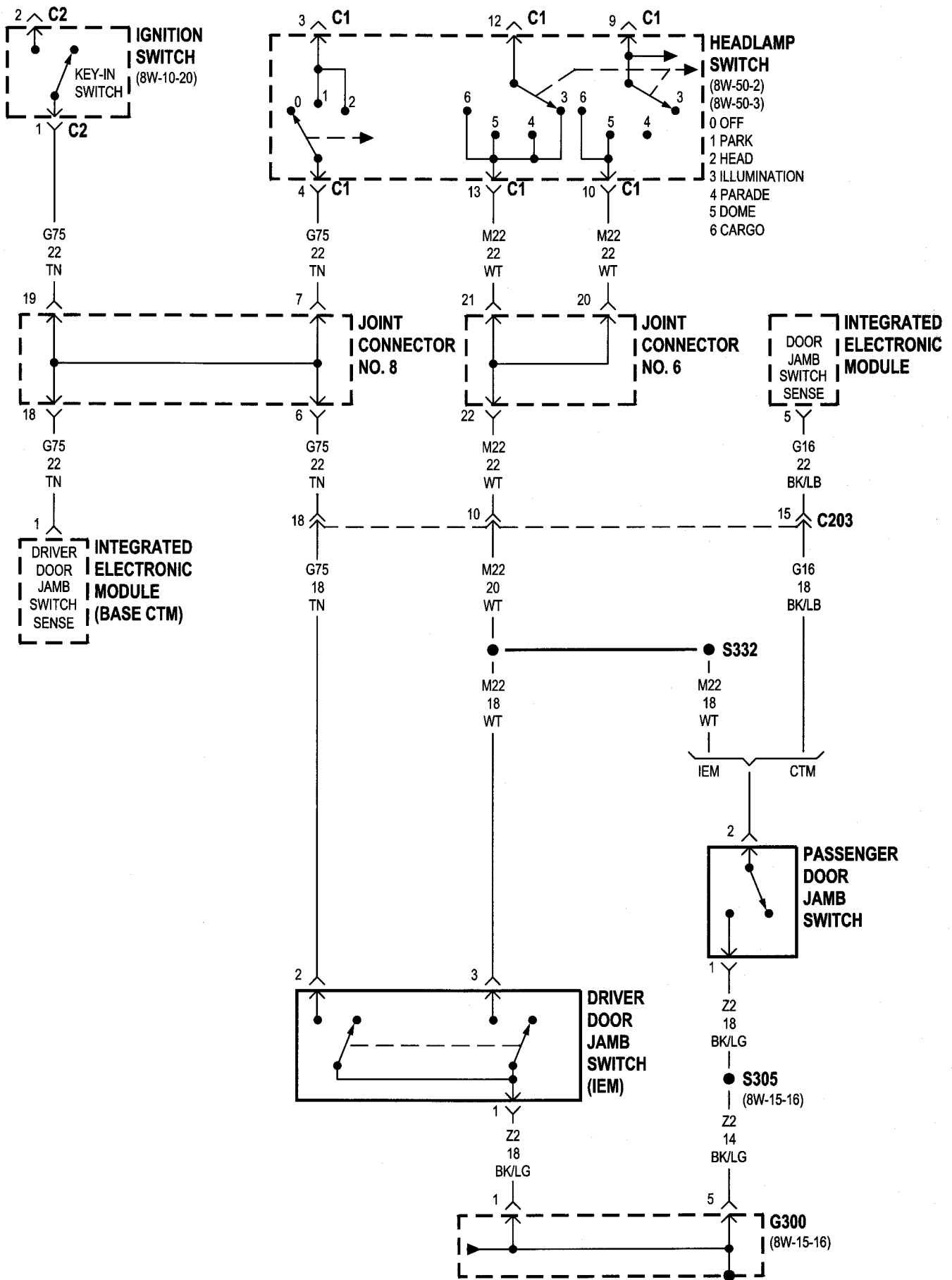


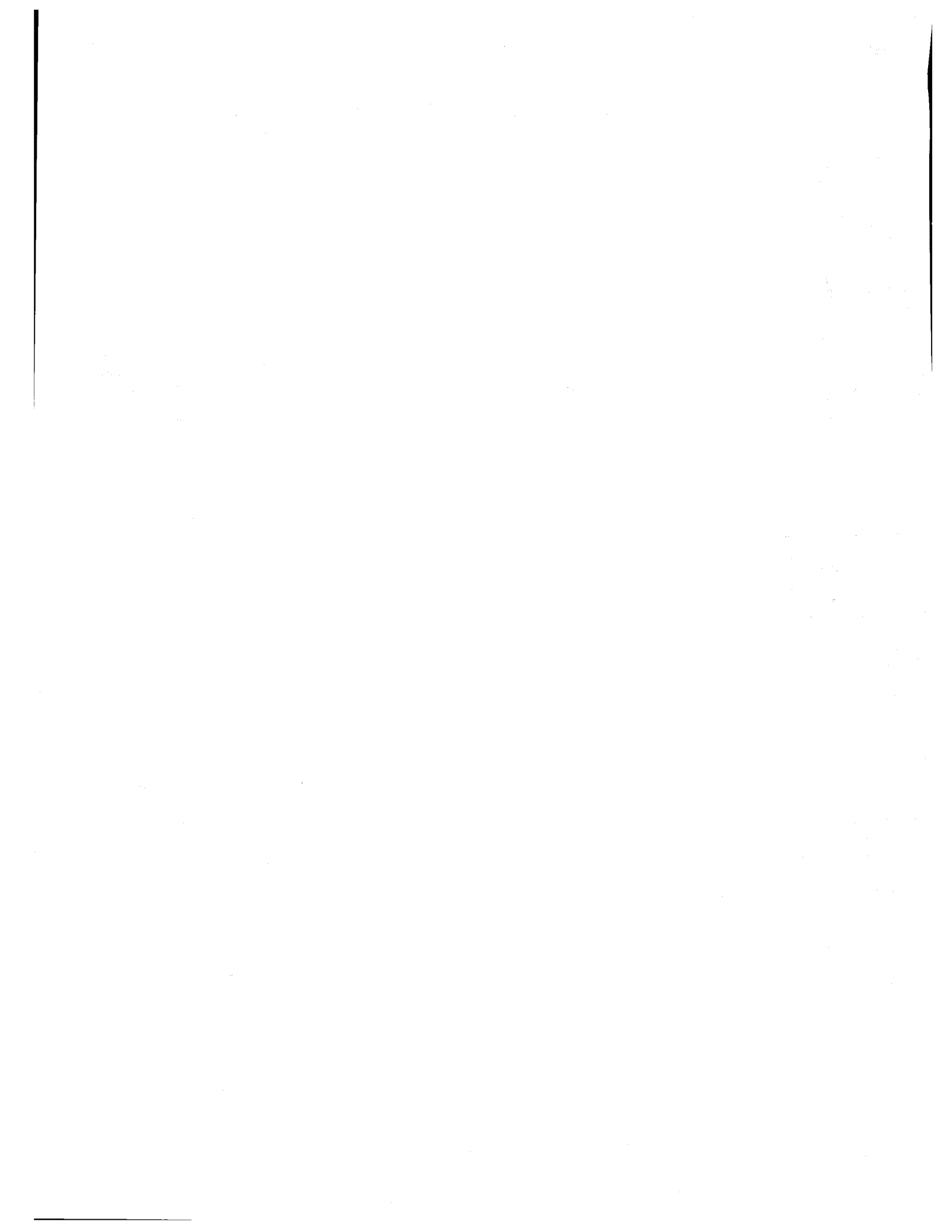
IEM





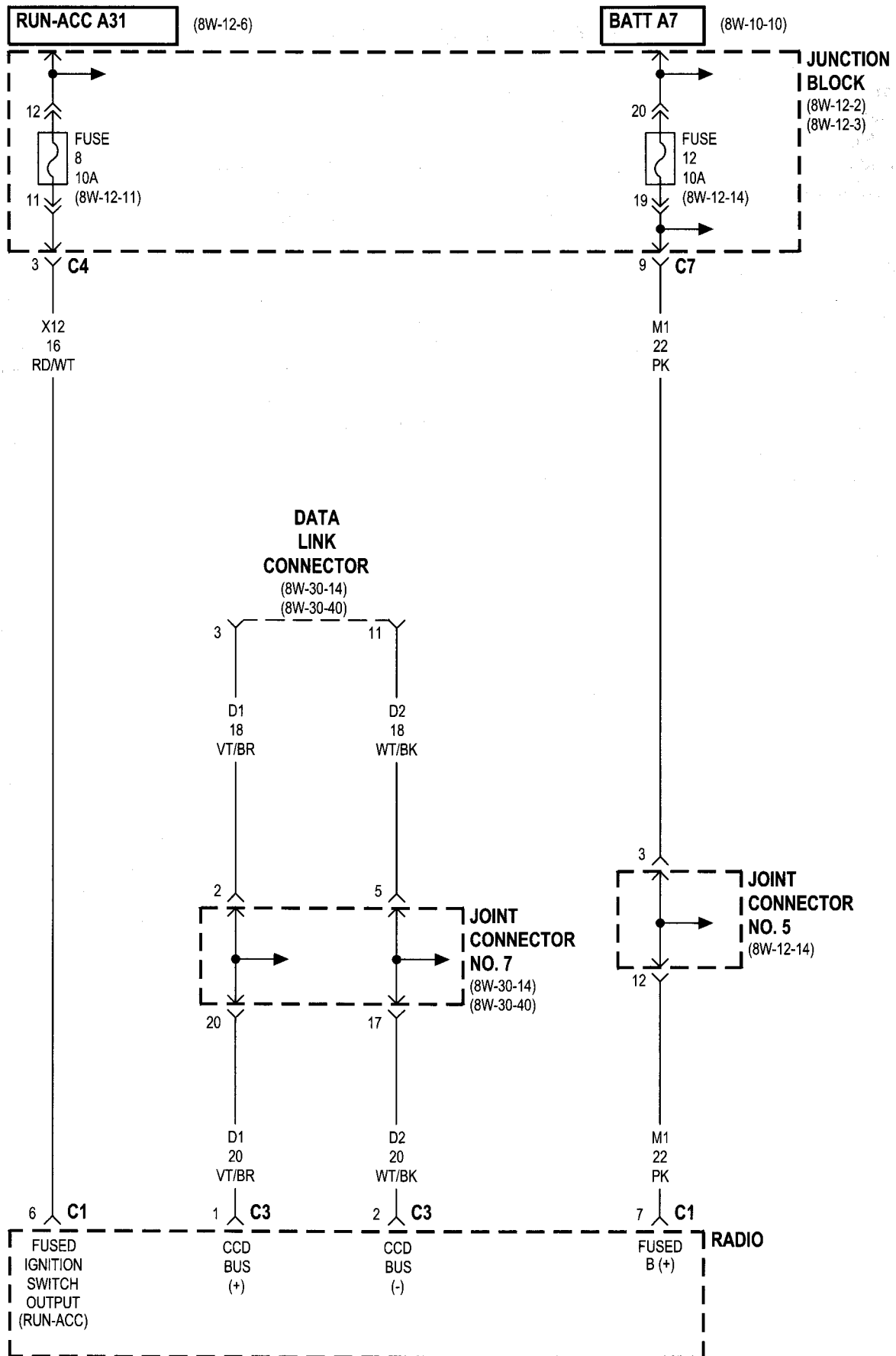
IEM

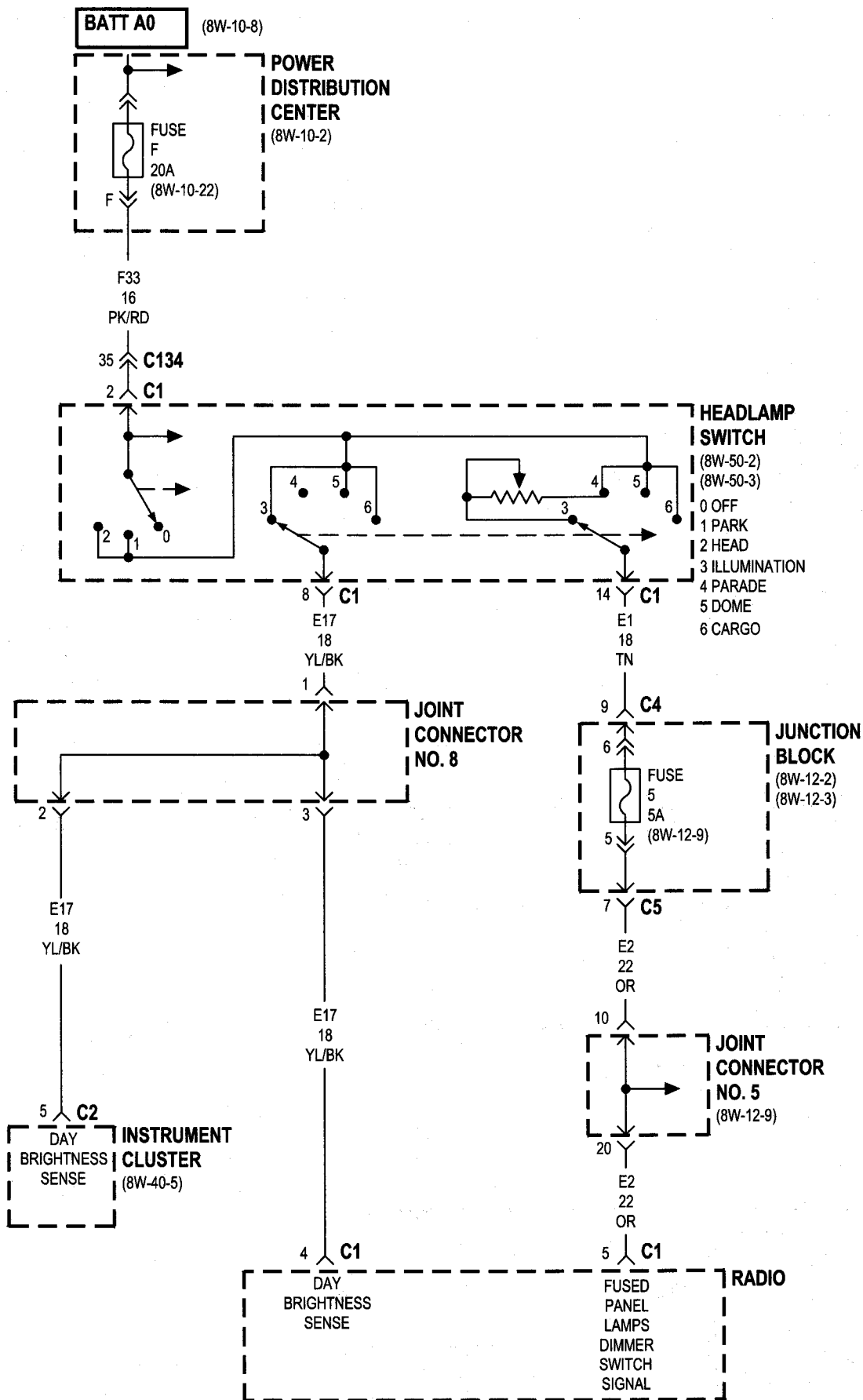


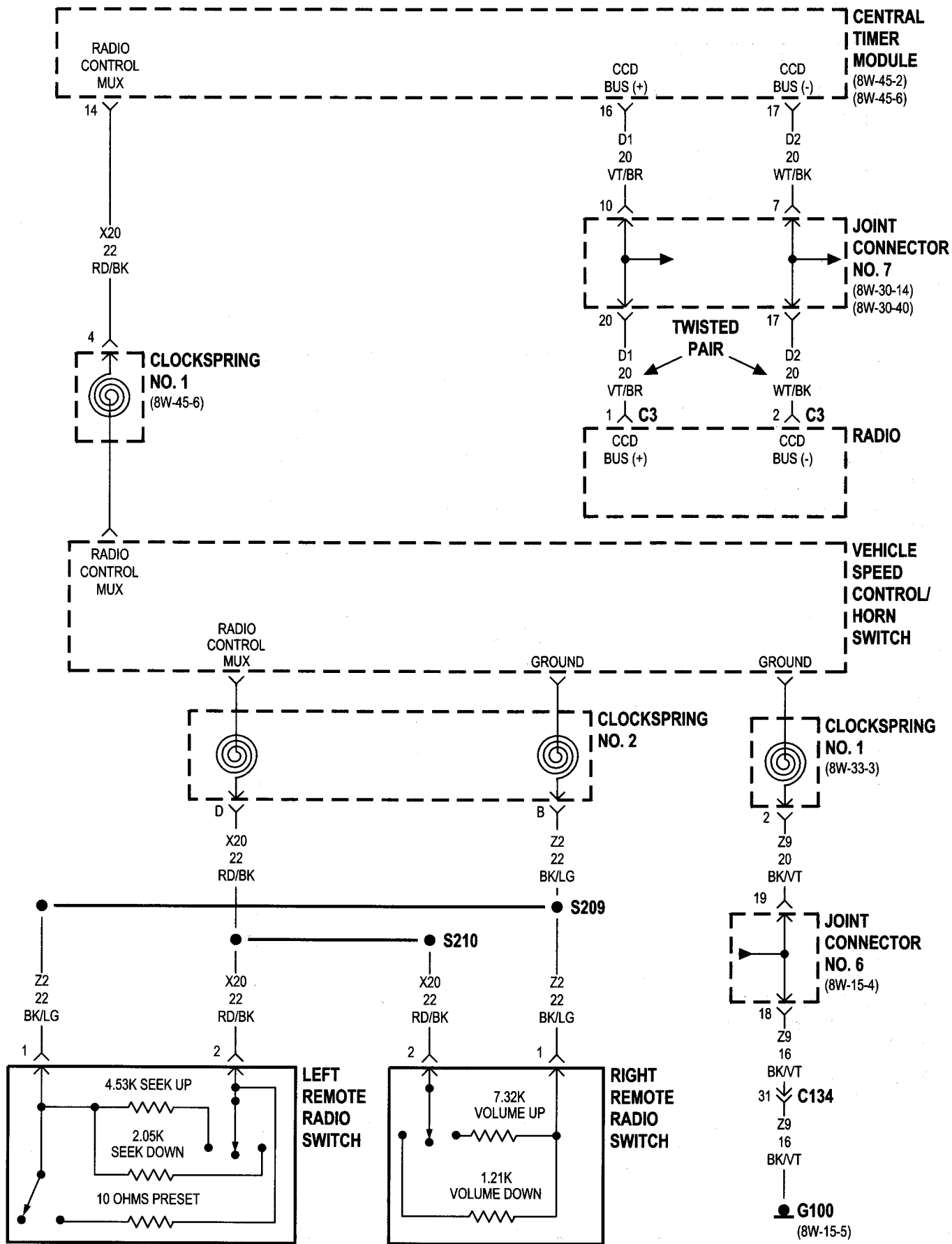


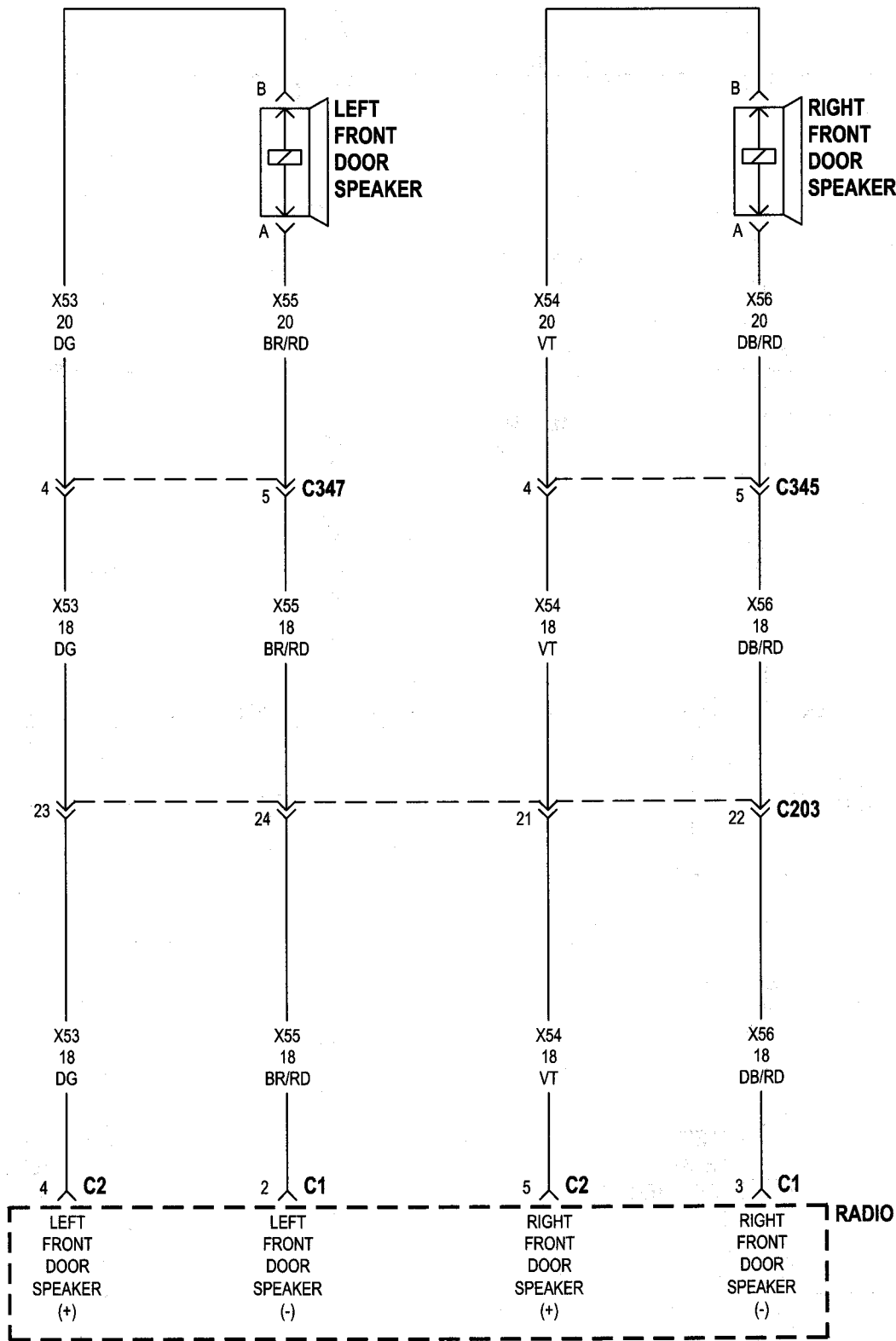
8W-47 AUDIO SYSTEM

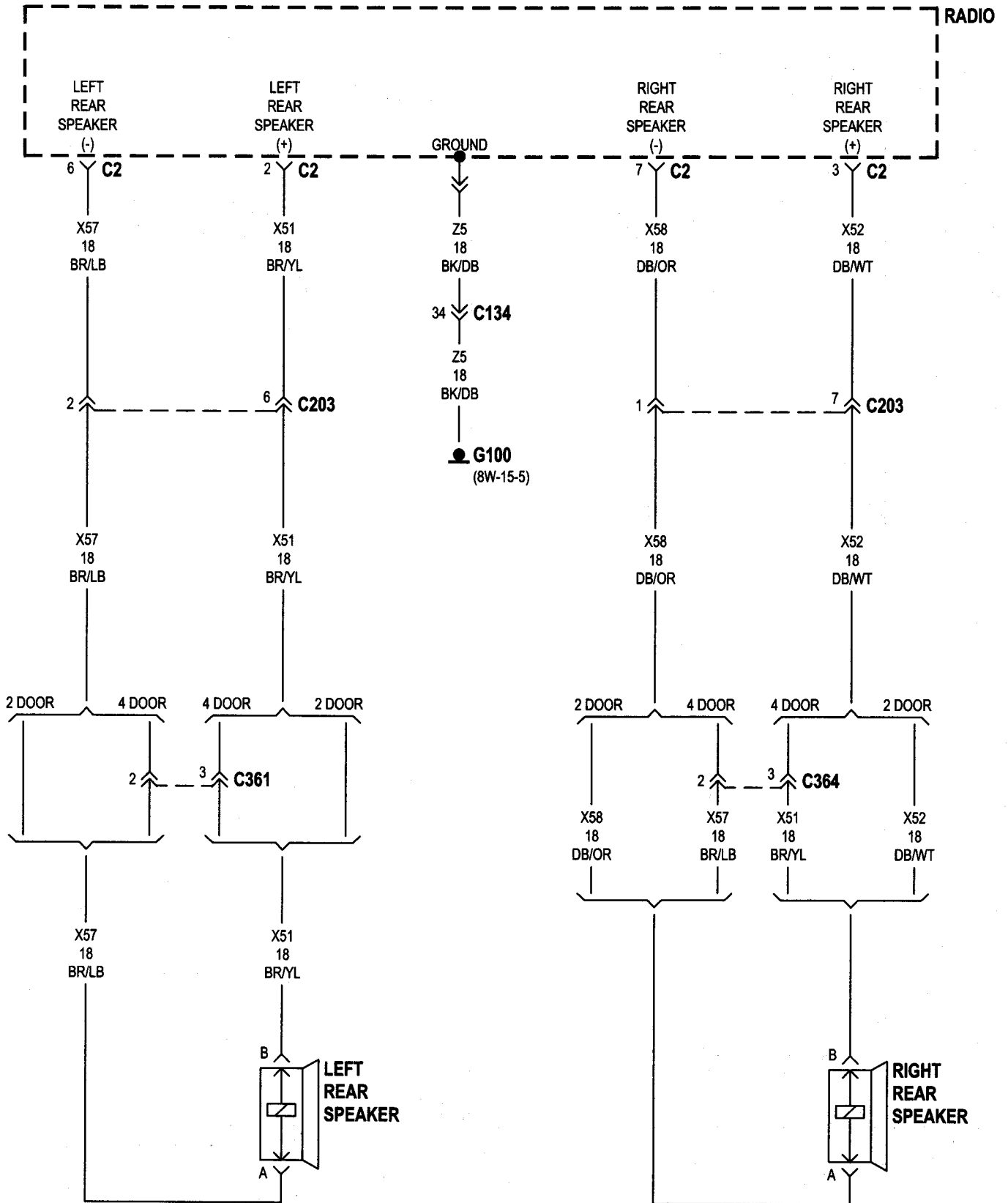
Component	Page	Component	Page
Central Timer Module	8W-47-4	Joint Connector No. 8	8W-47-3
Clockspring No. 1	8W-47-4	Junction Block	8W-47-2, 3, 7
Clockspring No. 2	8W-47-4	Left Front Door Speaker	8W-47-5, 7, 8, 9
Data Link Connector	8W-47-2	Left Rear Speaker	8W-47-6, 9
Fuse 4 (JB)	8W-47-7	Left Remote Radio Switch	8W-47-4
Fuse 5 (JB)	8W-47-3	Left Tweeter	8W-47-8
Fuse 8 (JB)	8W-47-2	Power Distribution Center	8W-47-3
Fuse 12 (JB)	8W-47-2	Radio	8W-47-2, 3, 4, 5, 6, 7, 8, 9
Fuse F (PDC)	8W-47-3	Radio Choke Relay	8W-47-7, 8
G100	8W-47-4, 6, 7, 8, 9	Right Front Door Speaker	8W-47-5, 7, 8, 9
Headlamp Switch	8W-47-3	Right Rear Speaker	8W-47-6, 9
Instrument Cluster	8W-47-3	Right Remote Radio Switch	8W-47-4
Joint Connector No. 5	8W-47-2, 3	Right Tweeter	8W-47-8
Joint Connector No. 6	8W-47-4, 7, 8	Vehicle Speed Control/Horn Switch	8W-47-4
Joint Connector No. 7	8W-47-2, 4		

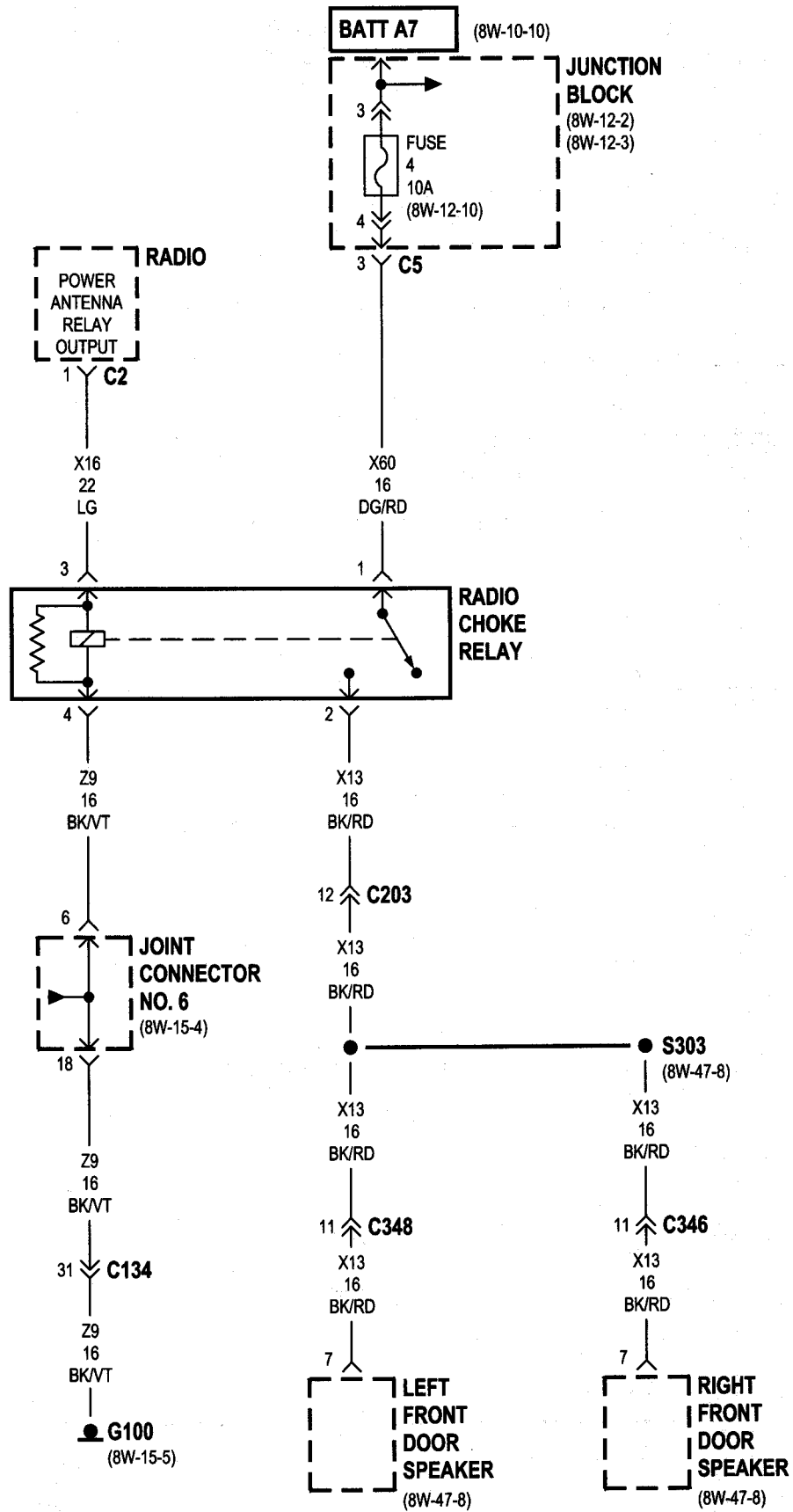




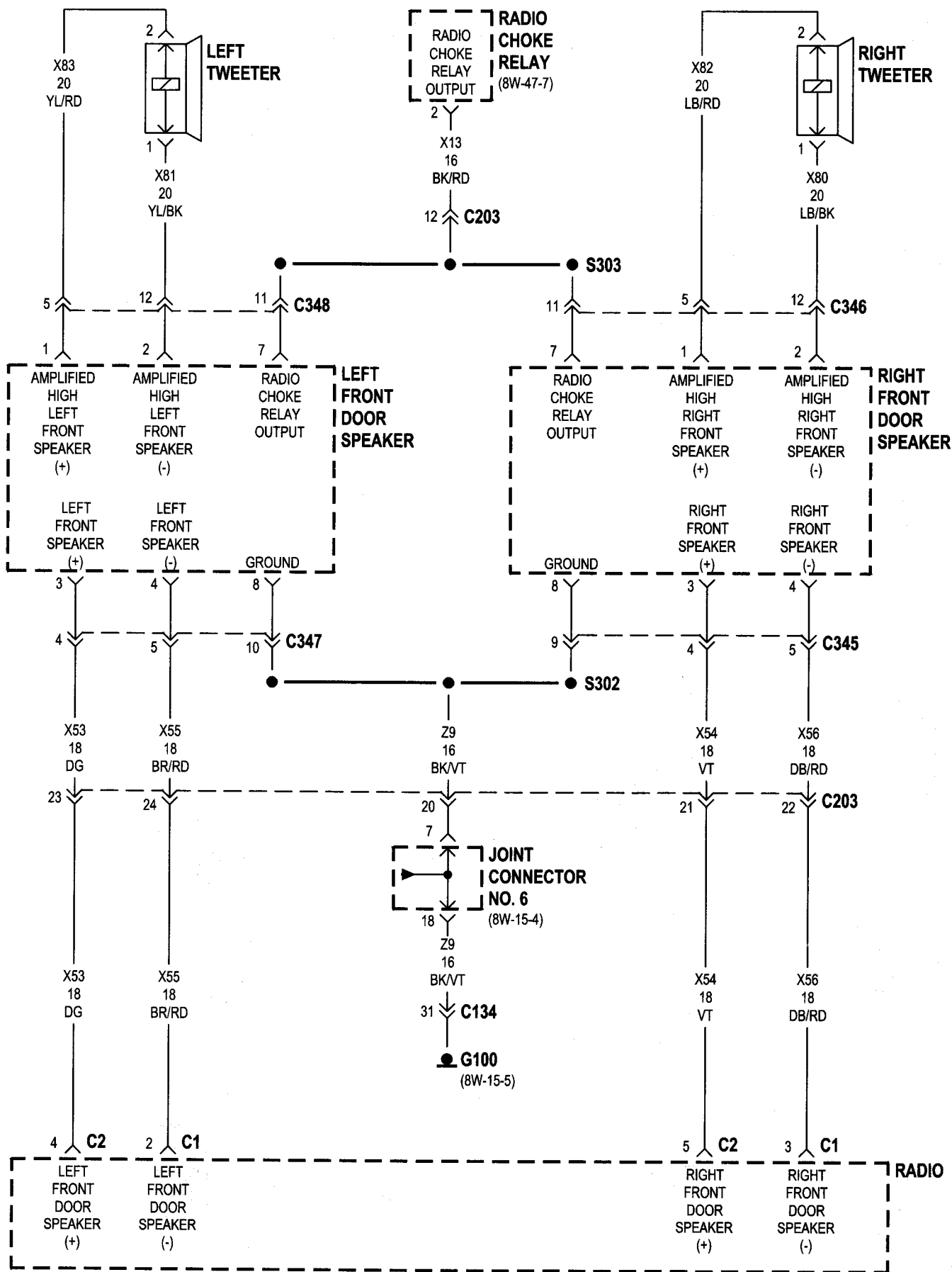


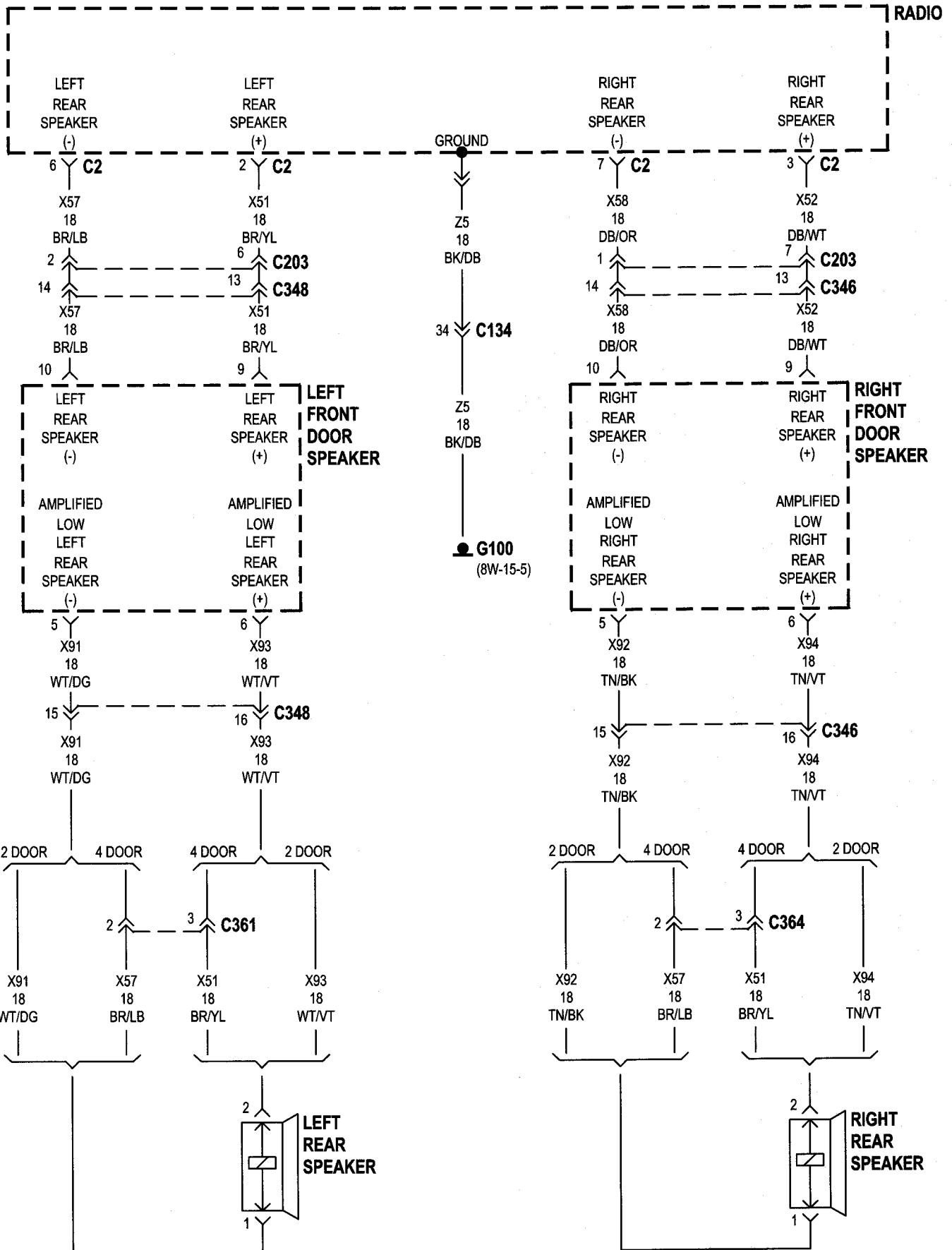


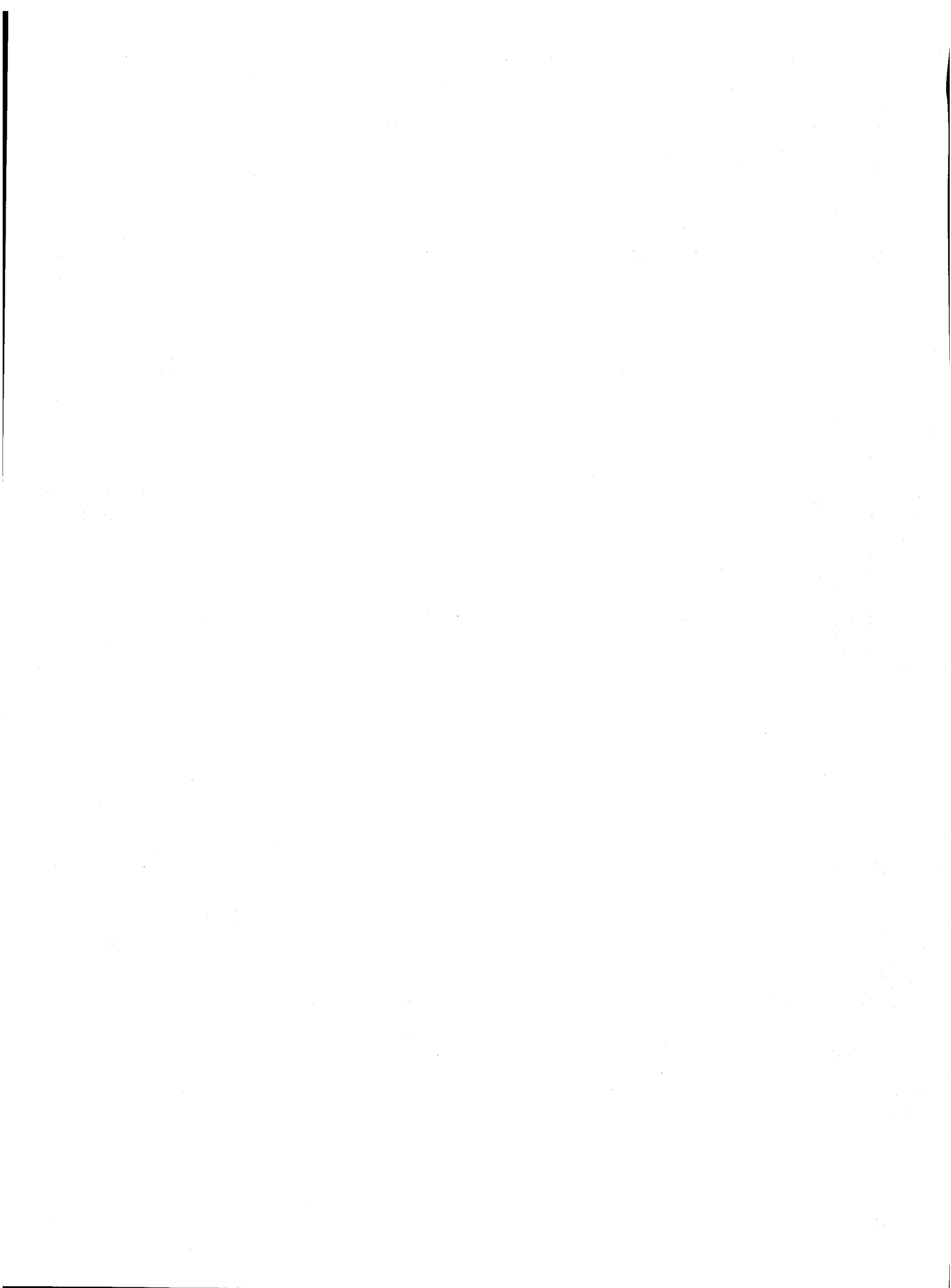




PREMIUM

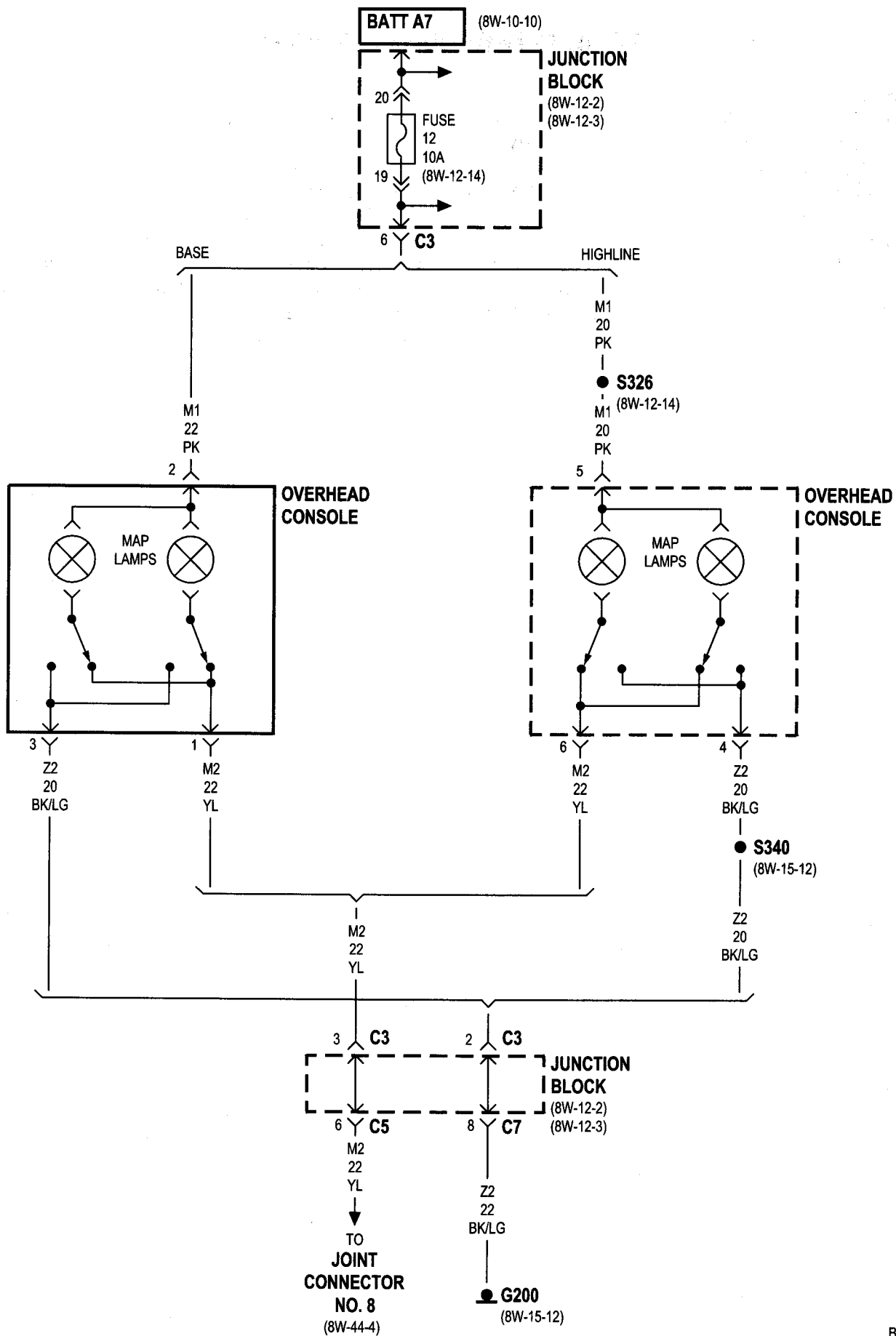


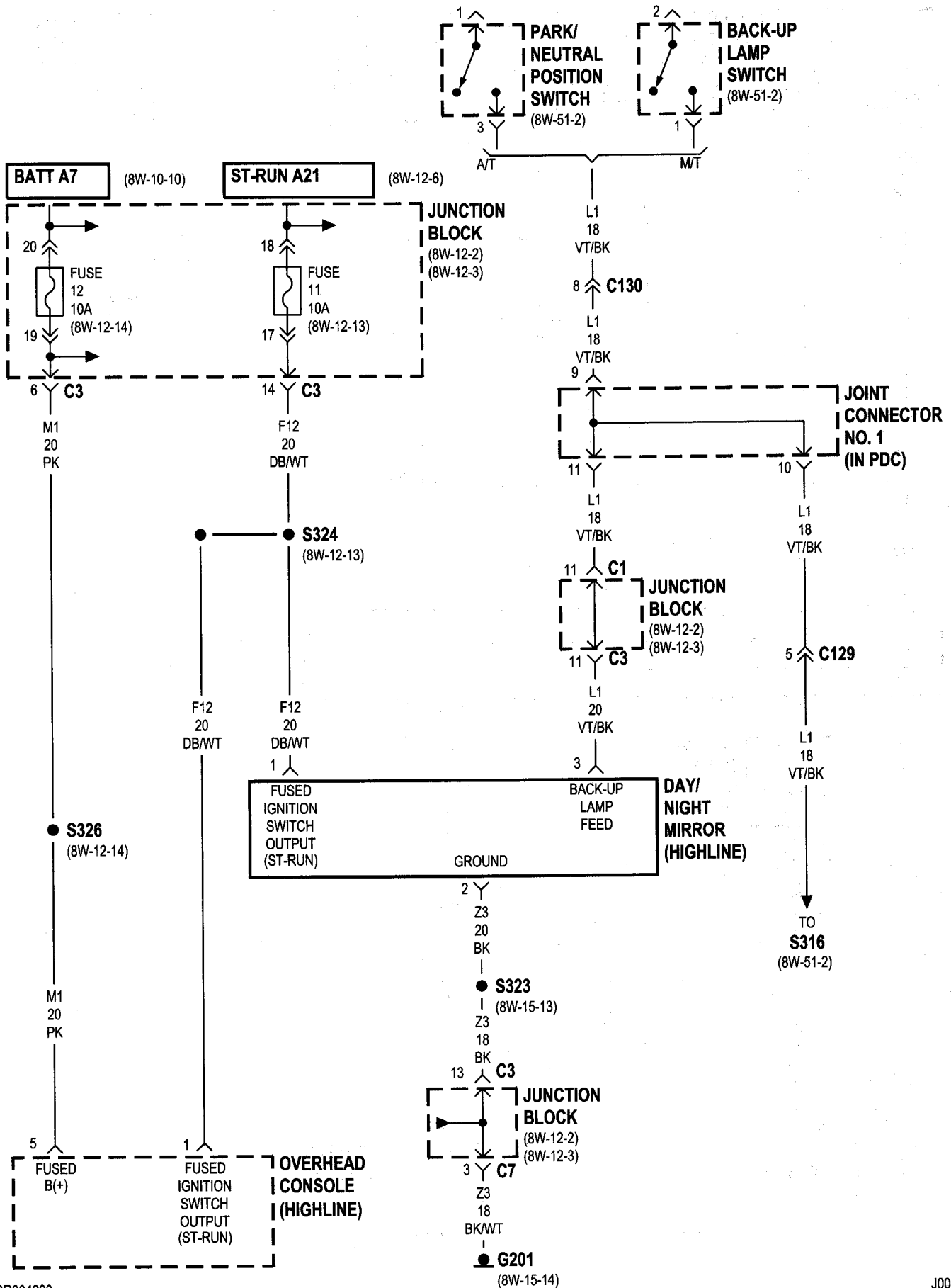


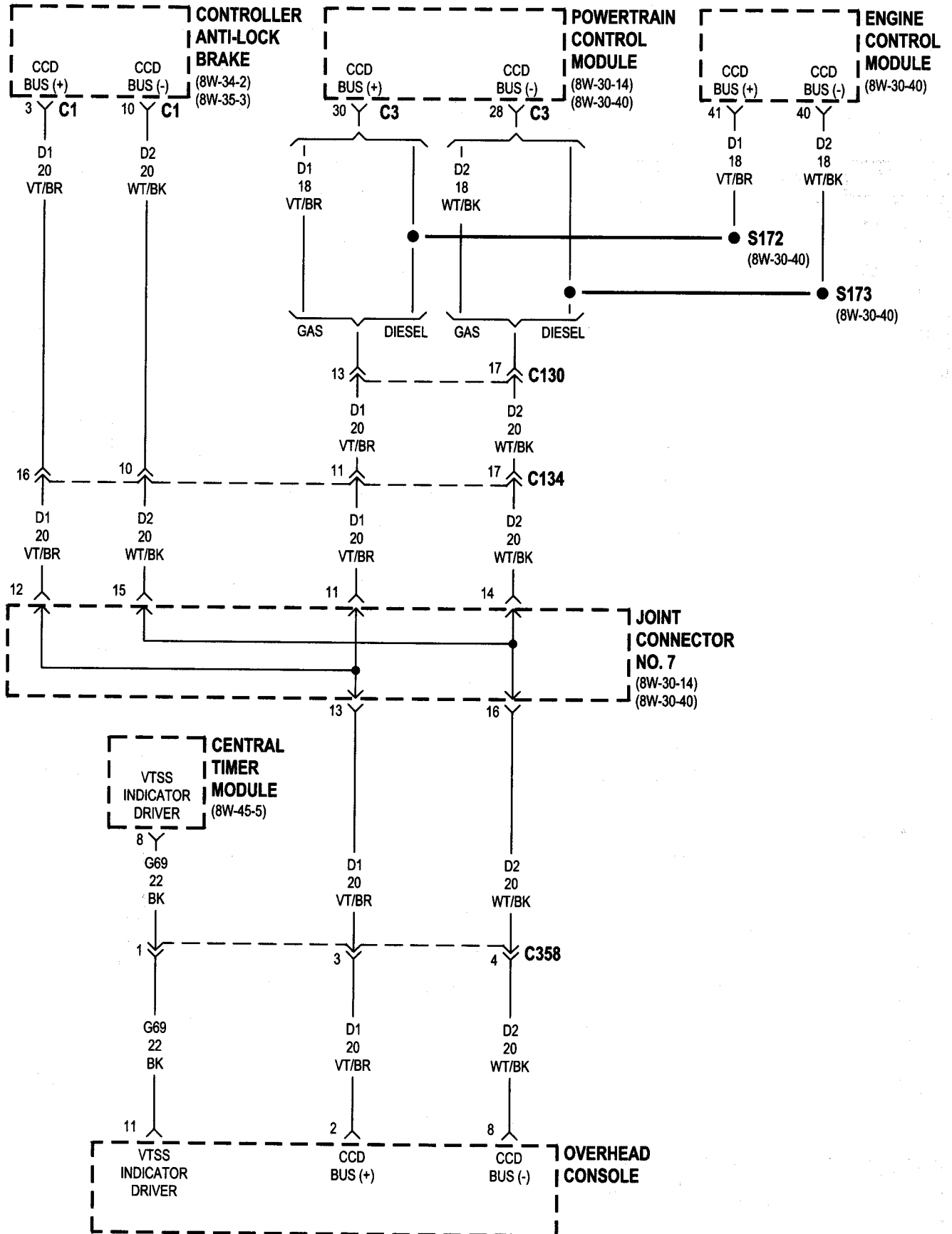


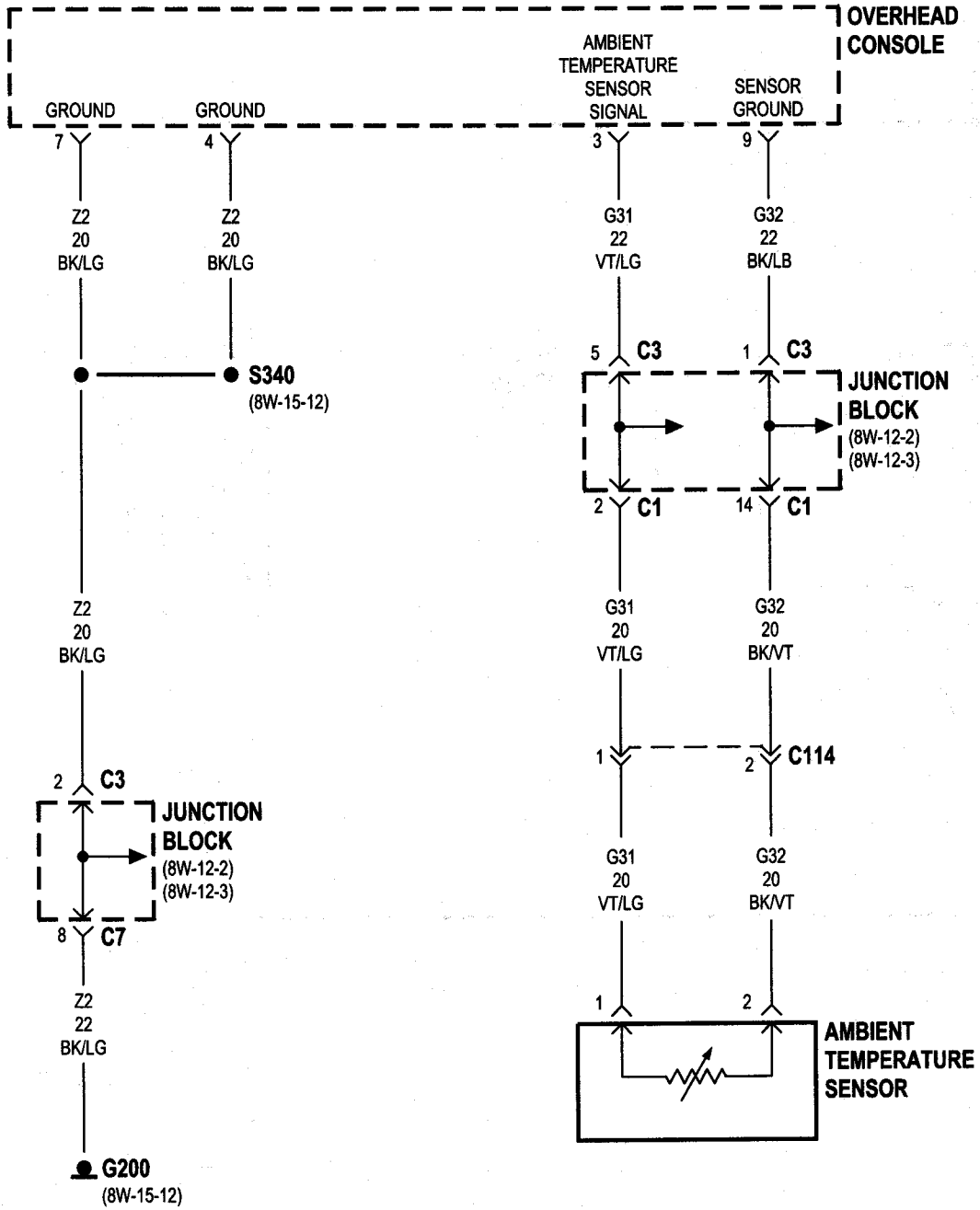
8W-49 OVERHEAD CONSOLE

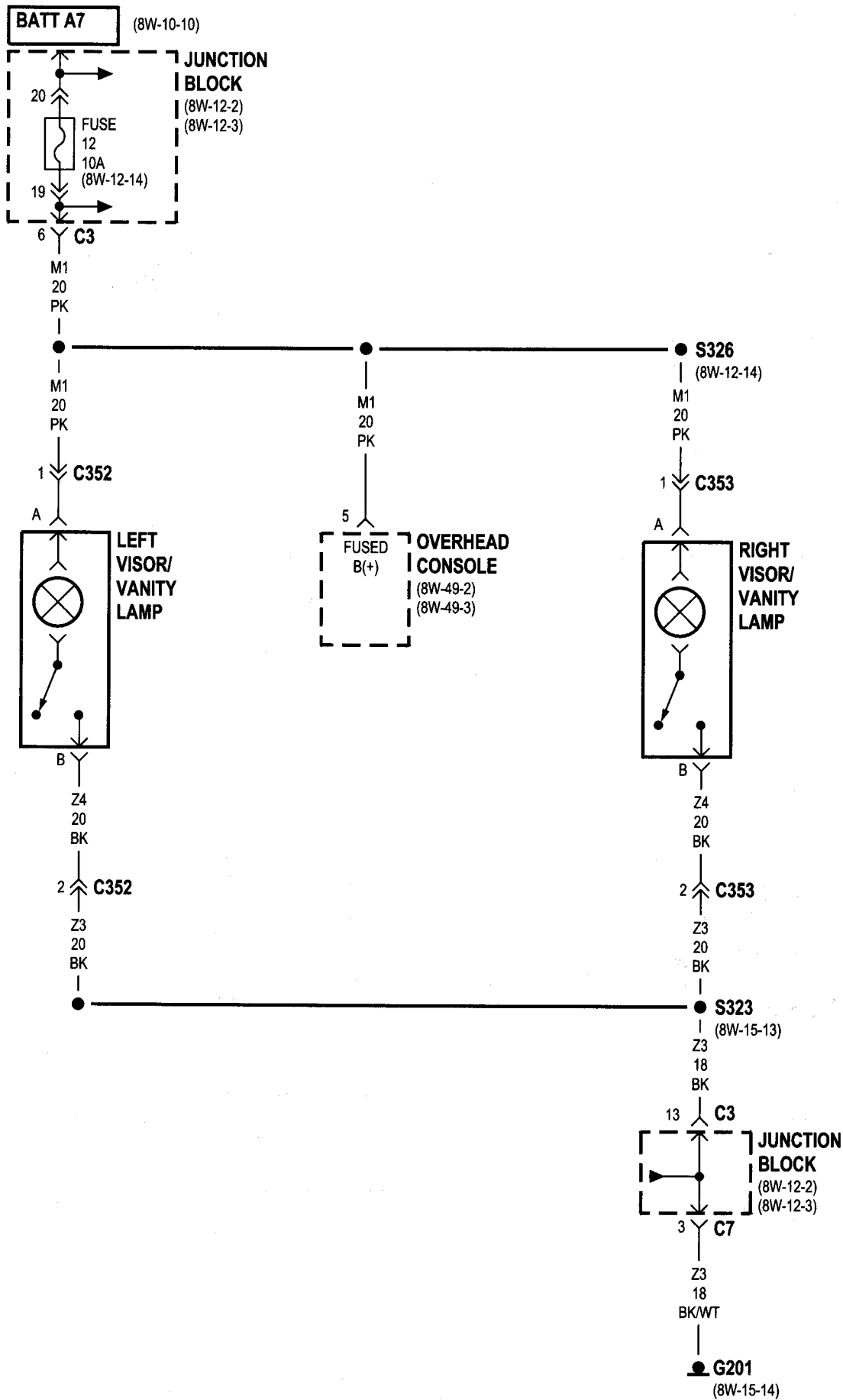
Component	Page	Component	Page
Ambient Temperature Sensor	8W-49-5	Joint Connector No. 1	8W-49-3
Back-Up Lamp Switch	8W-49-3	Joint Connector No. 7	8W-49-4
Central Timer Module	8W-49-4	Joint Connector No. 8	8W-49-2
Controller Anti-Lock Brake	8W-49-4	Junction Block	8W-49-2, 3, 5, 6
Day/Night Mirror	8W-49-3	Left Visor/Vanity Lamp	8W-49-6
Engine Control Module	8W-49-4	Map Lamps	8W-49-2
Fuse 11 (JB)	8W-49-3	Overhead Console	8W-49-2, 3, 4, 5, 6
Fuse 12 (JB)	8W-49-2, 3, 6	Park/Neutral Position Switch	8W-49-3
G200	8W-49-2, 5	Powertrain Control Module	8W-49-4
G201	8W-49-3, 6	Right Visor/Vanity Lamp	8W-49-6





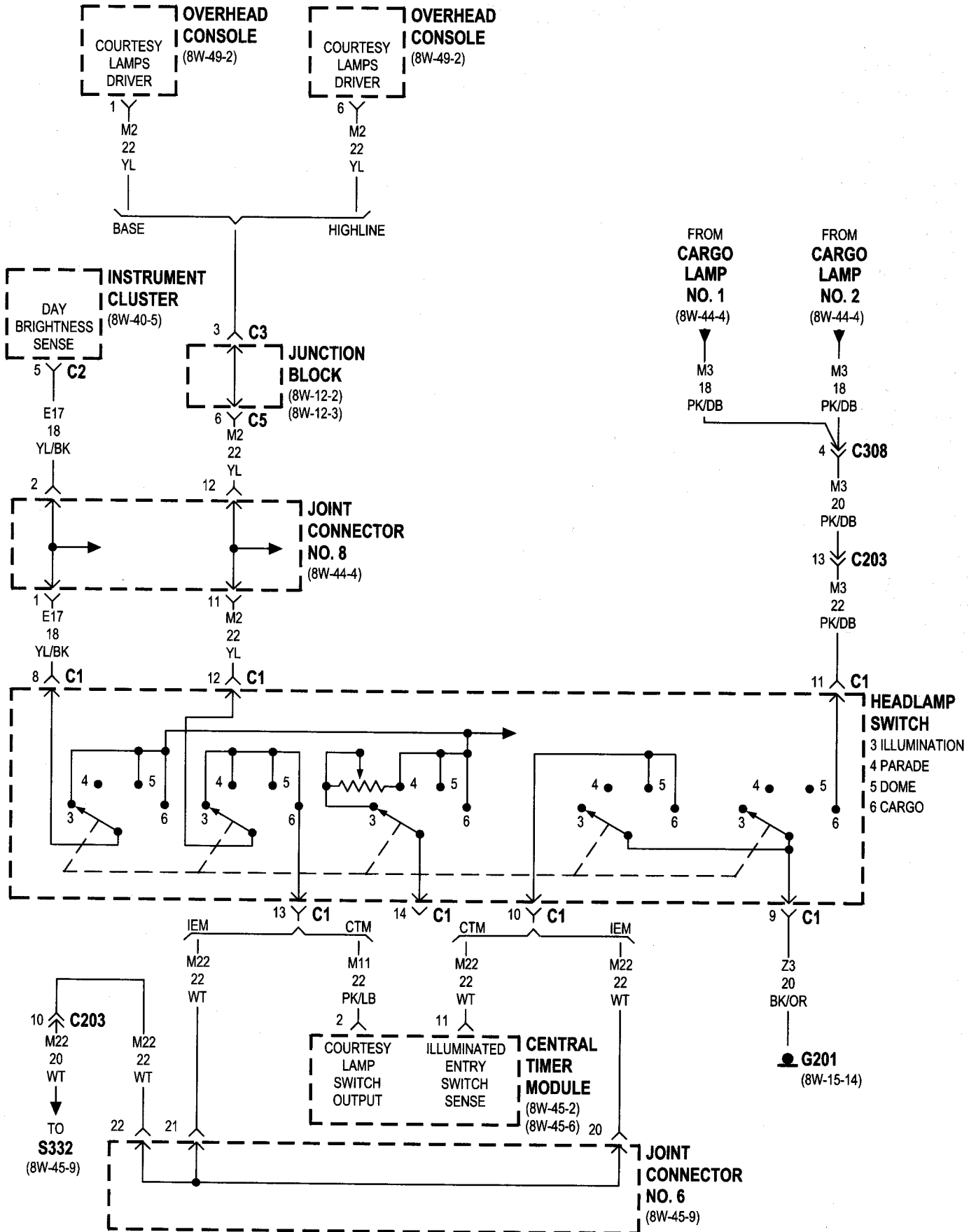


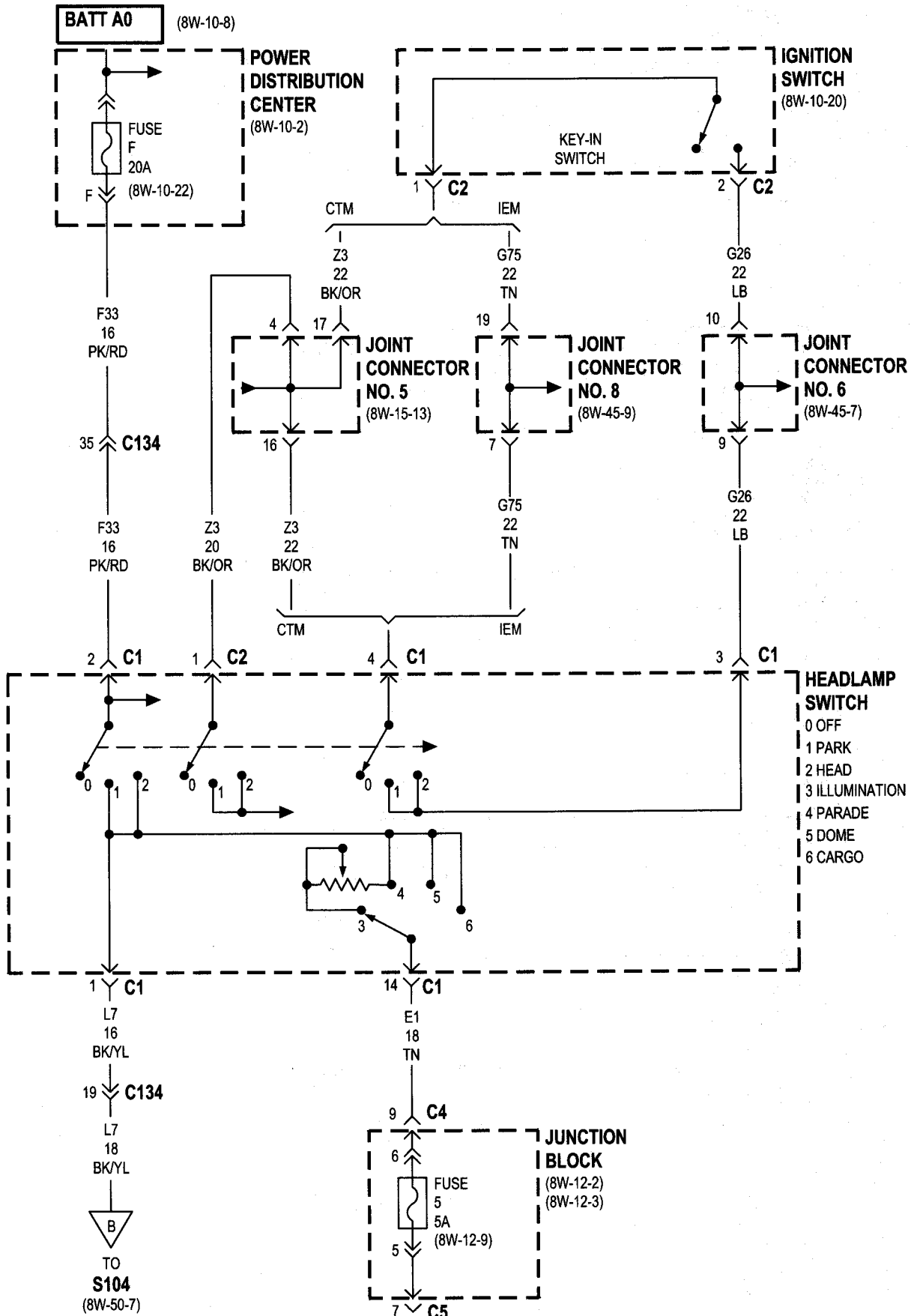


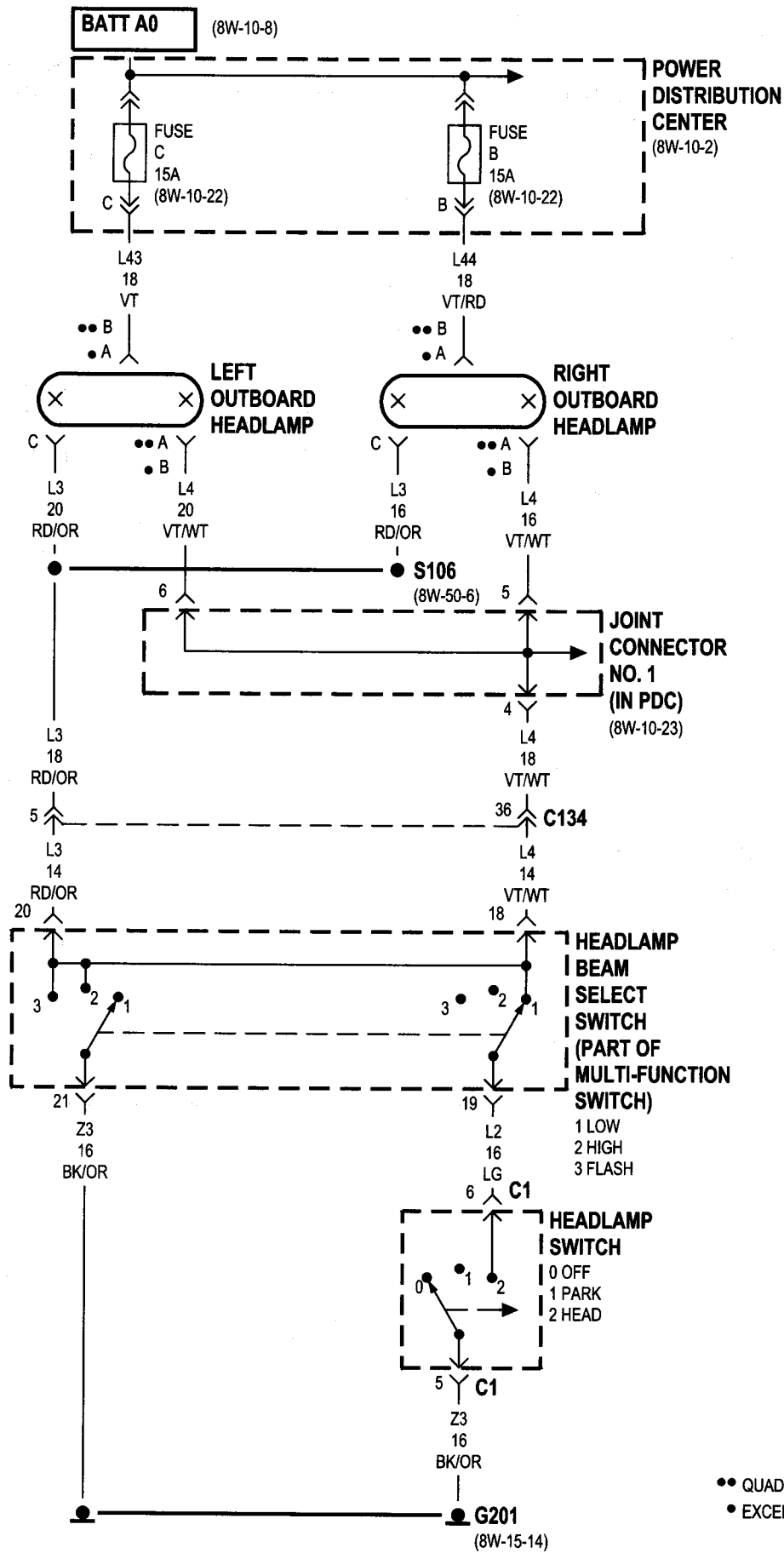


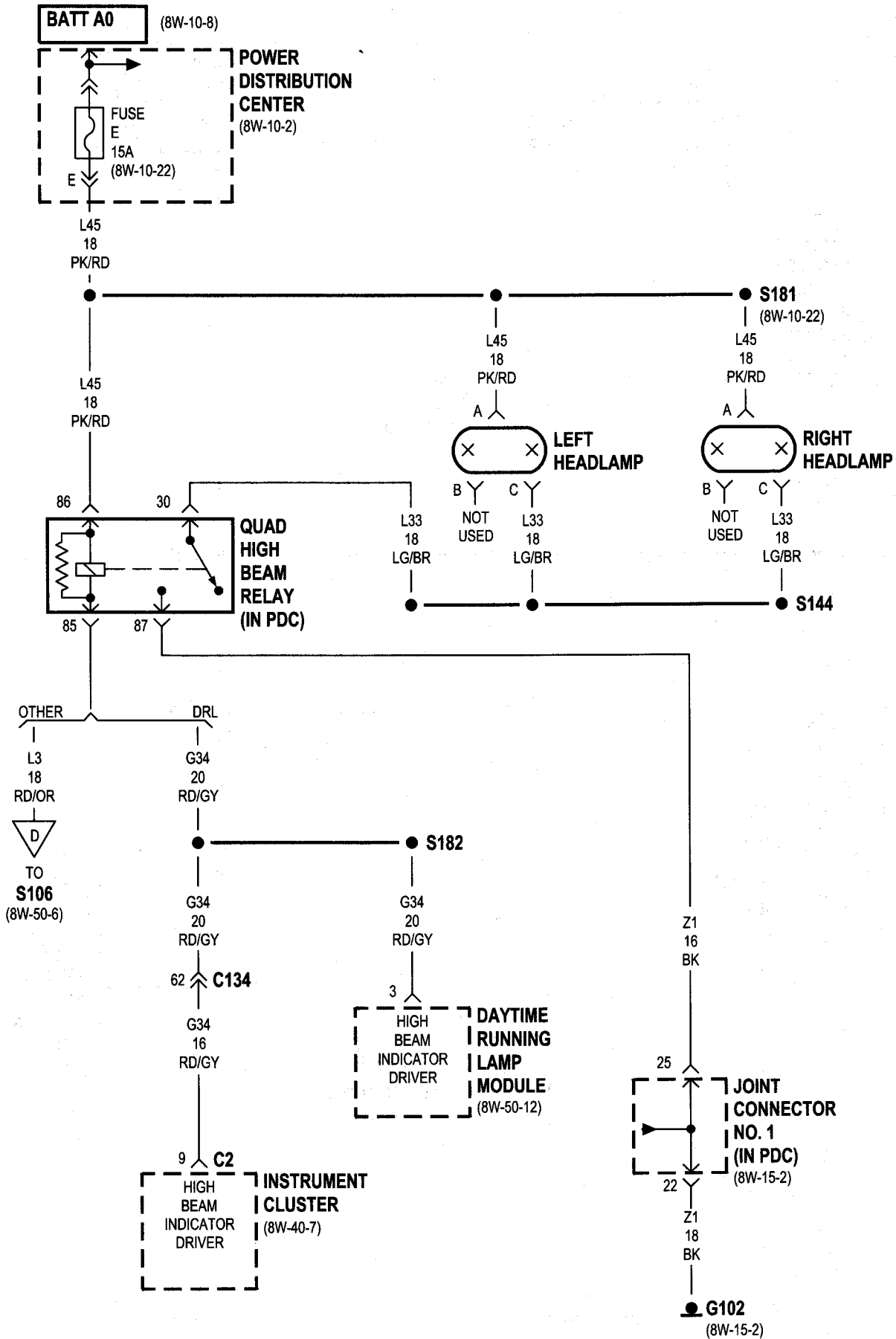
8W-50 FRONT LIGHTING

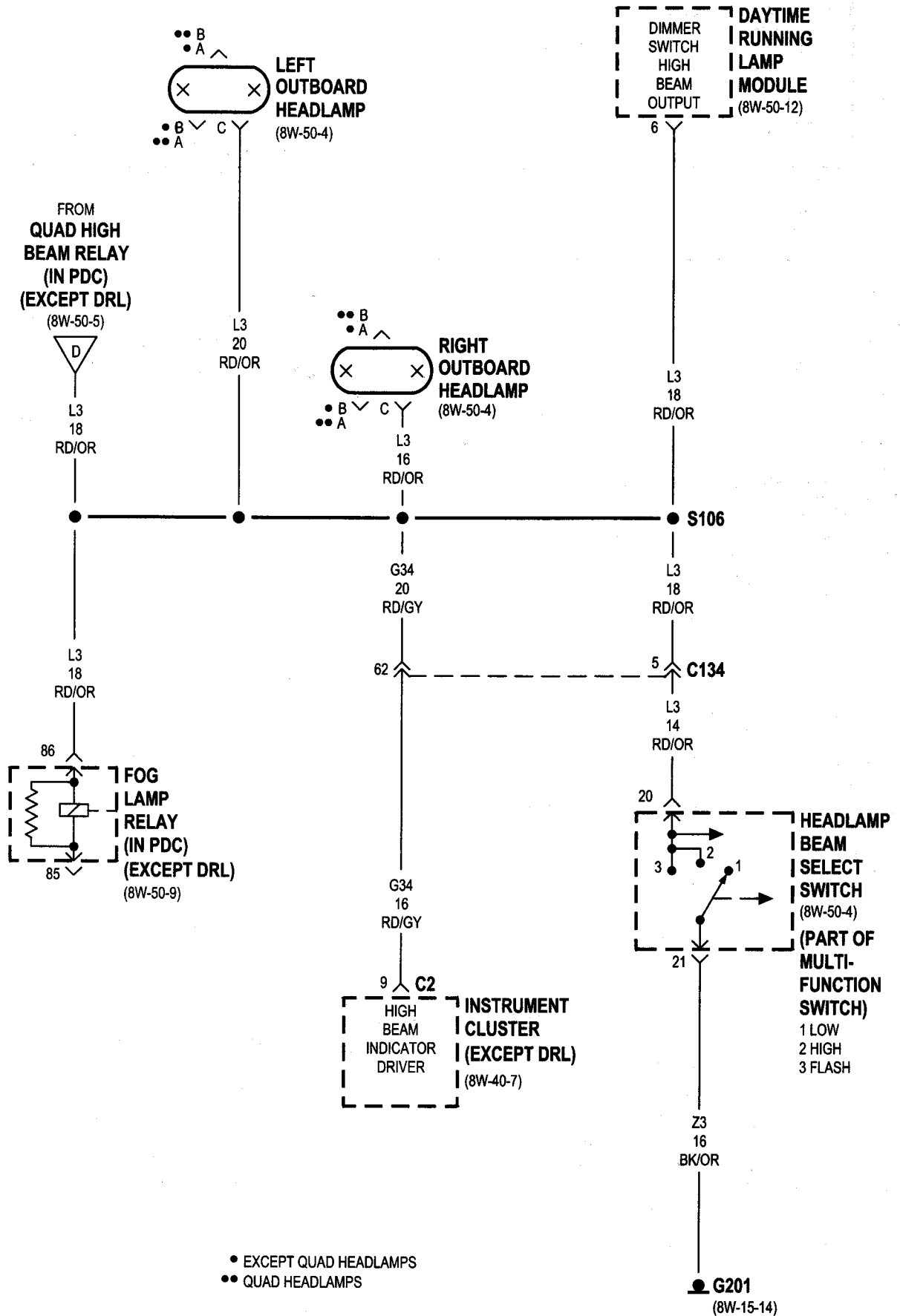
Component	Page	Component	Page
Cargo Lamp No. 1	8W-50-2	Joint Connector No. 3	8W-50-7
Cargo Lamp No. 2	8W-50-2	Joint Connector No. 4	8W-50-7, 11
Center Identification Lamp	8W-50-13	Joint Connector No. 5	8W-50-3
Central Timer Module	8W-50-2	Joint Connector No. 6	8W-50-2, 3
Daytime Running Lamp		Joint Connector No. 8	8W-50-2, 3
Module	8W-50-5, 6, 8, 10, 11, 12	Junction Block	8W-50-2, 3, 7, 8, 11, 13
Fog Lamp Indicator	8W-50-9, 10	Left Fog Lamp	8W-50-9, 10
Fog Lamp Relay	8W-50-6, 9, 10, 11	Left Headlamp	8W-50-5
Fuse 5 (JB)	8W-50-3	Left Outboard Clearance Lamp	8W-50-13
Fuse 7 (JB)	8W-50-11	Left Outboard Headlamp	8W-50-4, 6
Fuse 14 (JB)	8W-50-8	Left Outboard Identification Lamp	8W-50-13
Fuse B (PDC)	8W-50-4	Left Park/Turn Signal Lamp	8W-50-7
Fuse C (PDC)	8W-50-4	Overhead Console	8W-50-2
Fuse E (PDC)	8W-50-5	Park Brake Switch	8W-50-11
Fuse F (PDC)	8W-50-3, 9, 10, 13	Power Distribution	
Fuse G (PDC)	8W-50-9, 10, 11	Center	8W-50-3, 4, 5, 9, 10, 11, 13
G100	8W-50-7, 11	Quad High Beam Relay	8W-50-5, 12
G102	8W-50-5, 12	Right Fog Lamp	8W-50-9, 10
G201	8W-50-2, 4, 6, 8, 9, 10	Right Headlamp	8W-50-5
G302	8W-50-13	Right Outboard Clearance Lamp	8W-50-13
Headlamp Beam Select Switch ..	8W-50-4, 6, 8, 9, 12	Right Outboard Headlamp	8W-50-4, 6
Headlamp Switch	8W-50-2, 3, 4, 9, 10, 13	Right Outboard Identification Lamp	8W-50-13
Ignition Switch	8W-50-3	Right Park/Turn Signal Lamp	8W-50-7
Instrument Cluster	8W-50-2, 5, 6, 8, 12	Security Relay	8W-50-12
Joint Connector No. 1	8W-50-4, 5, 12	Trailer Tow Relay	8W-50-7



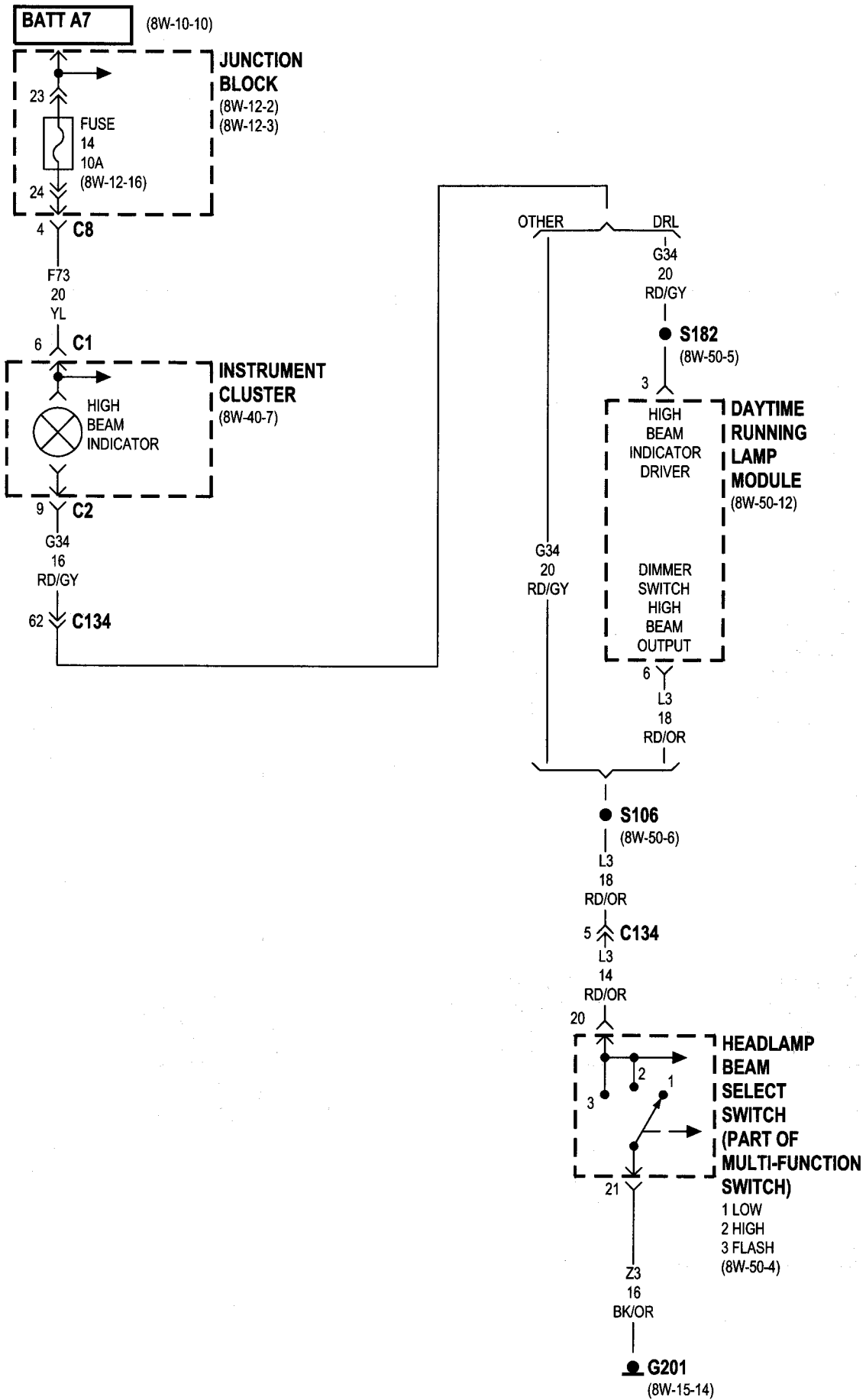


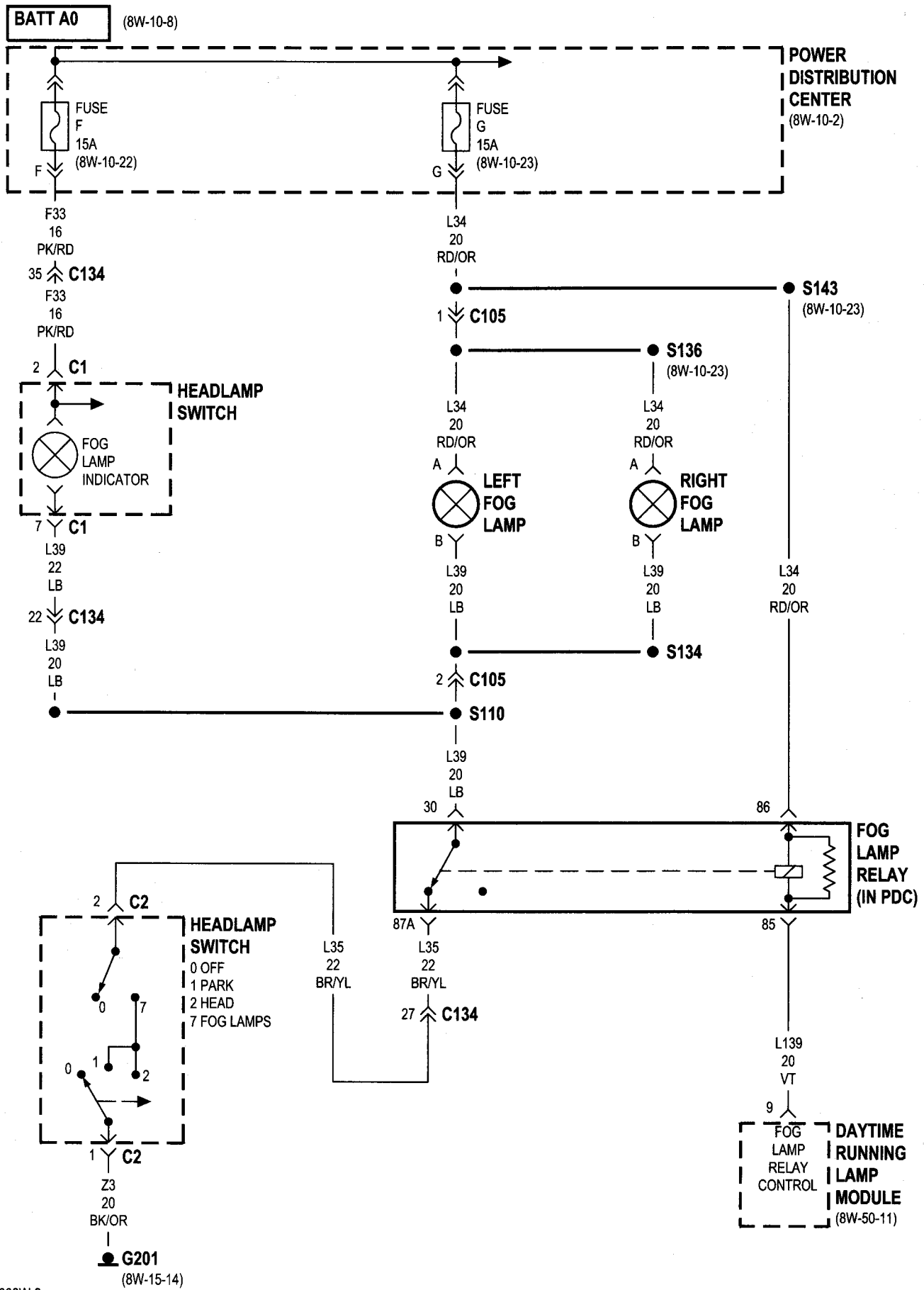


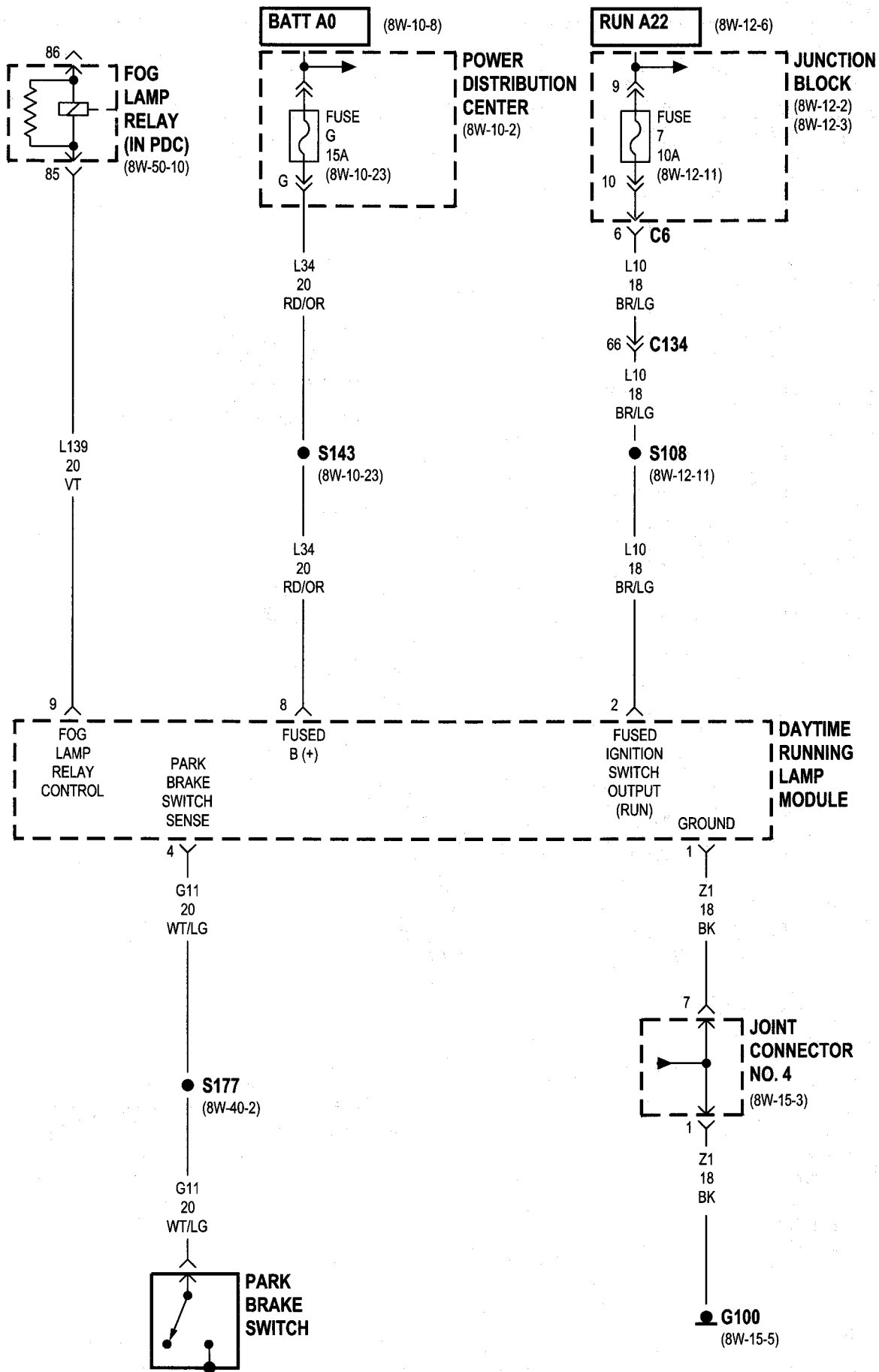


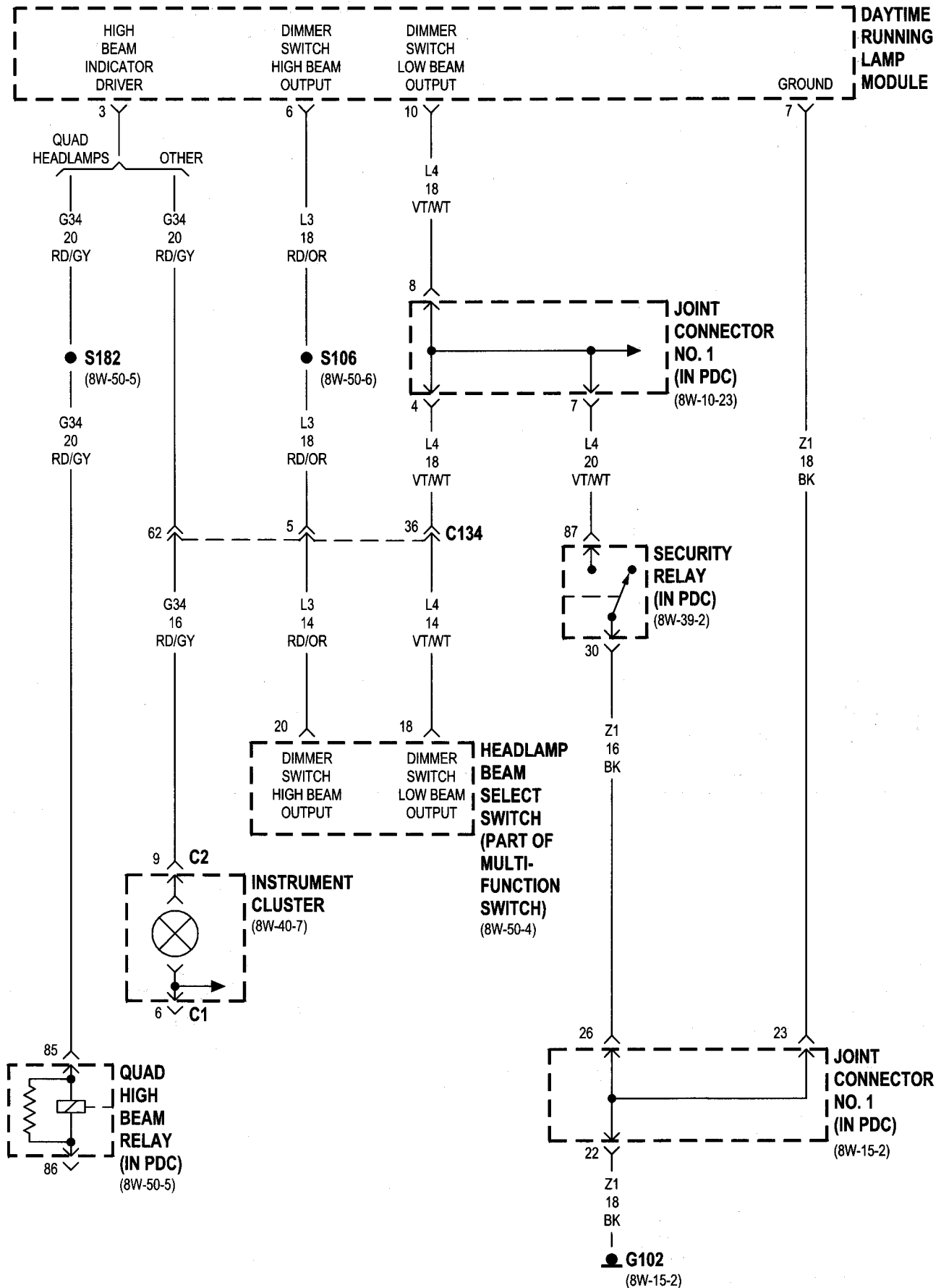


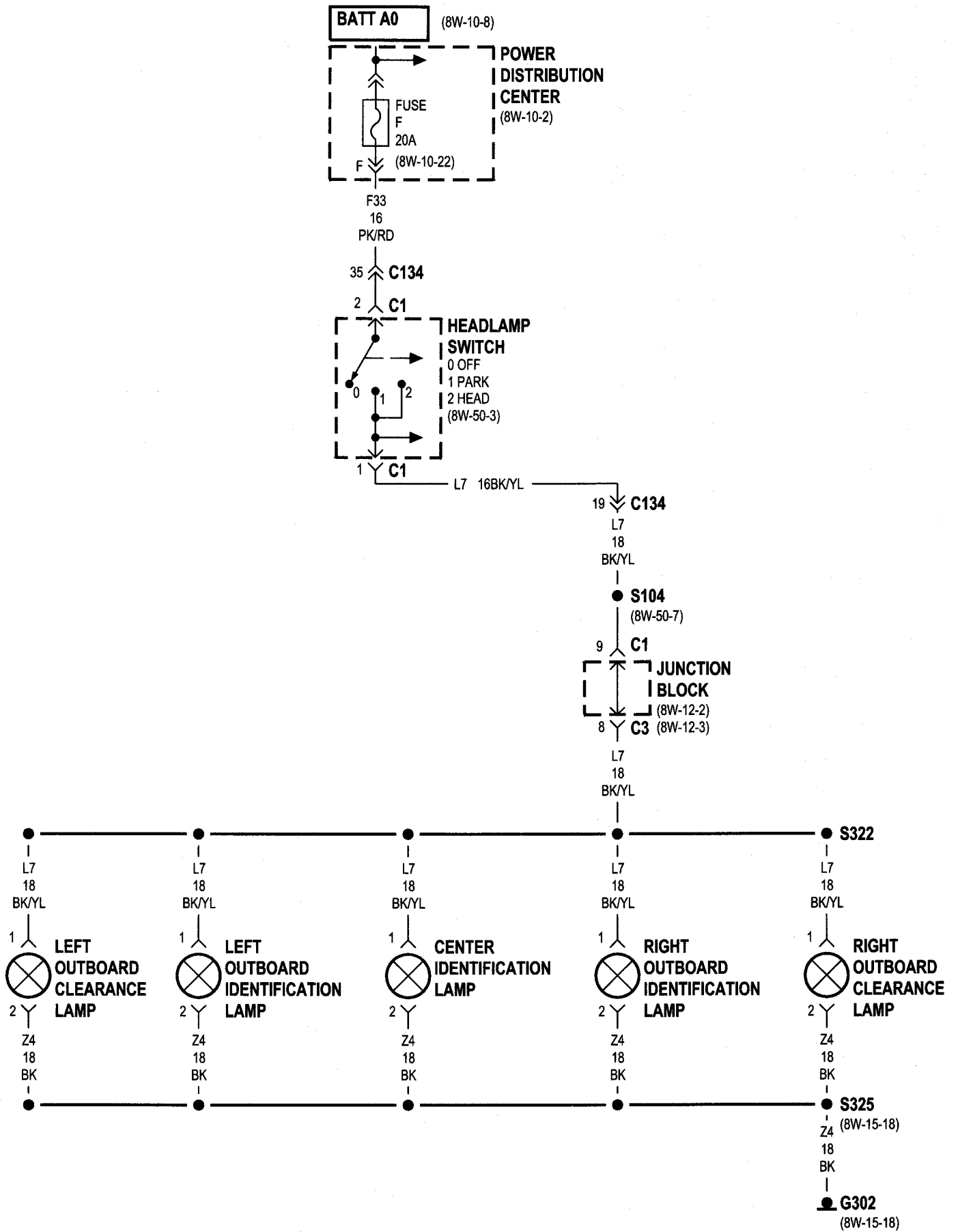
• EXCEPT QUAD HEADLAMPS
 •• QUAD HEADLAMPS

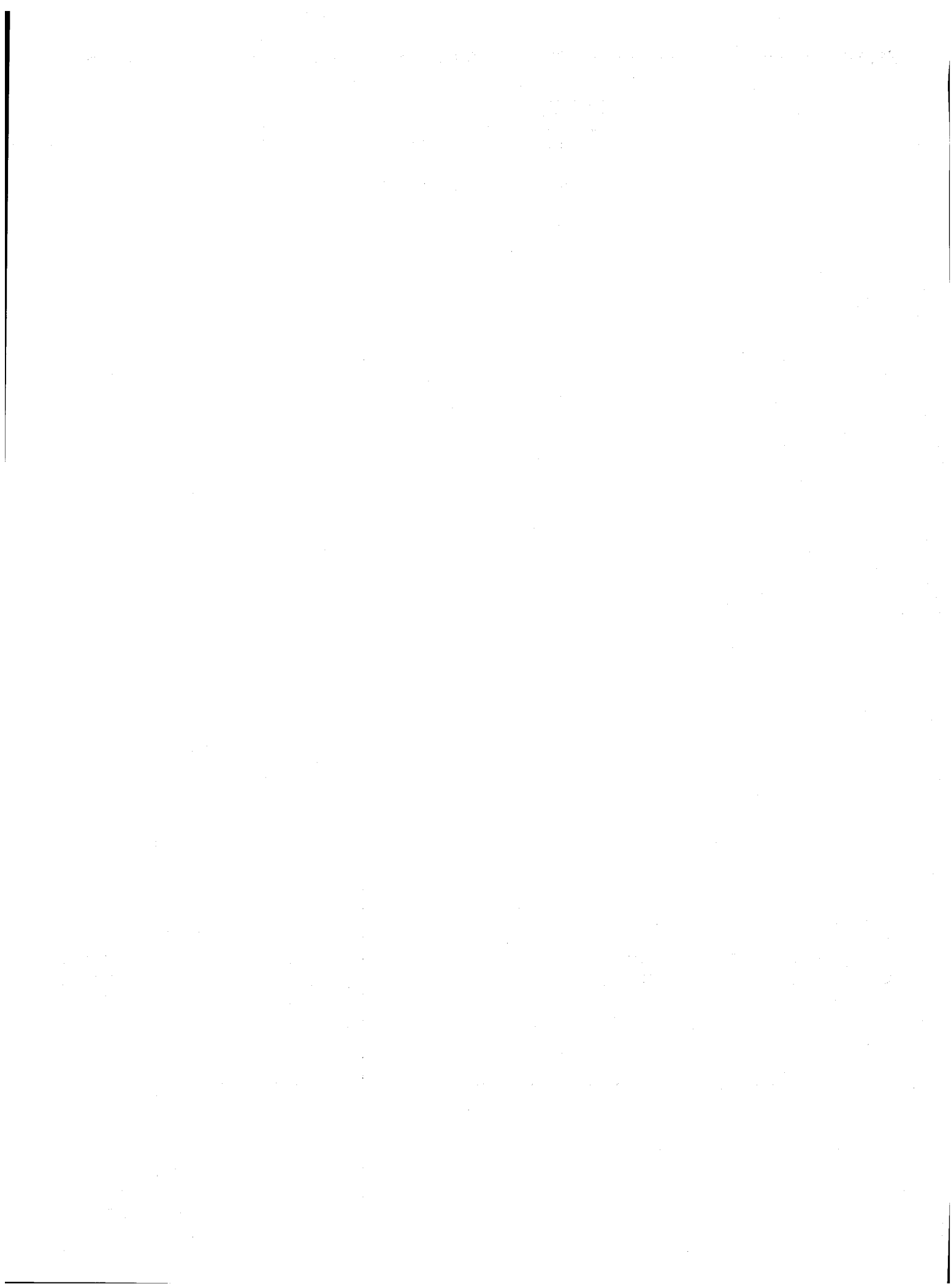






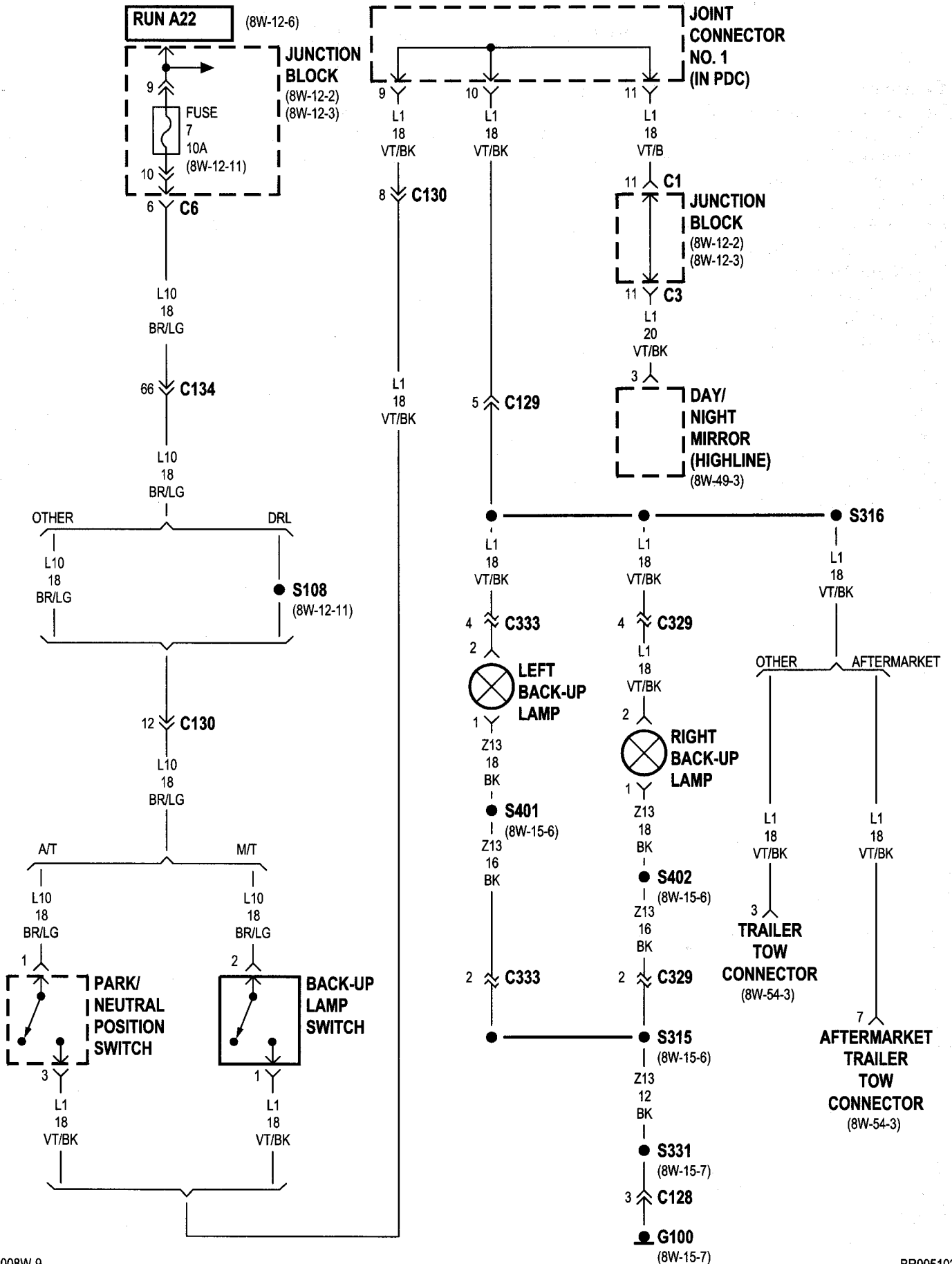


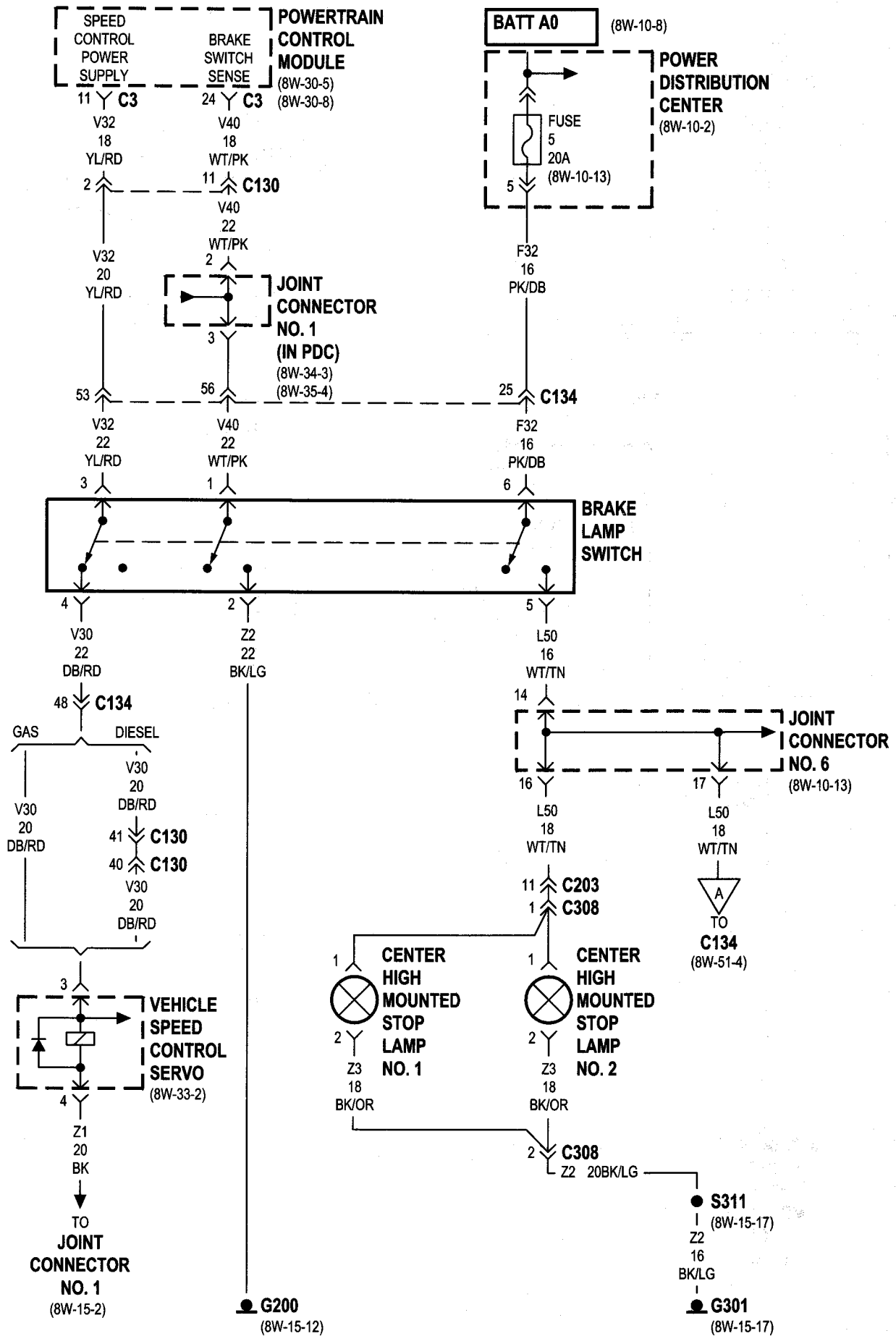


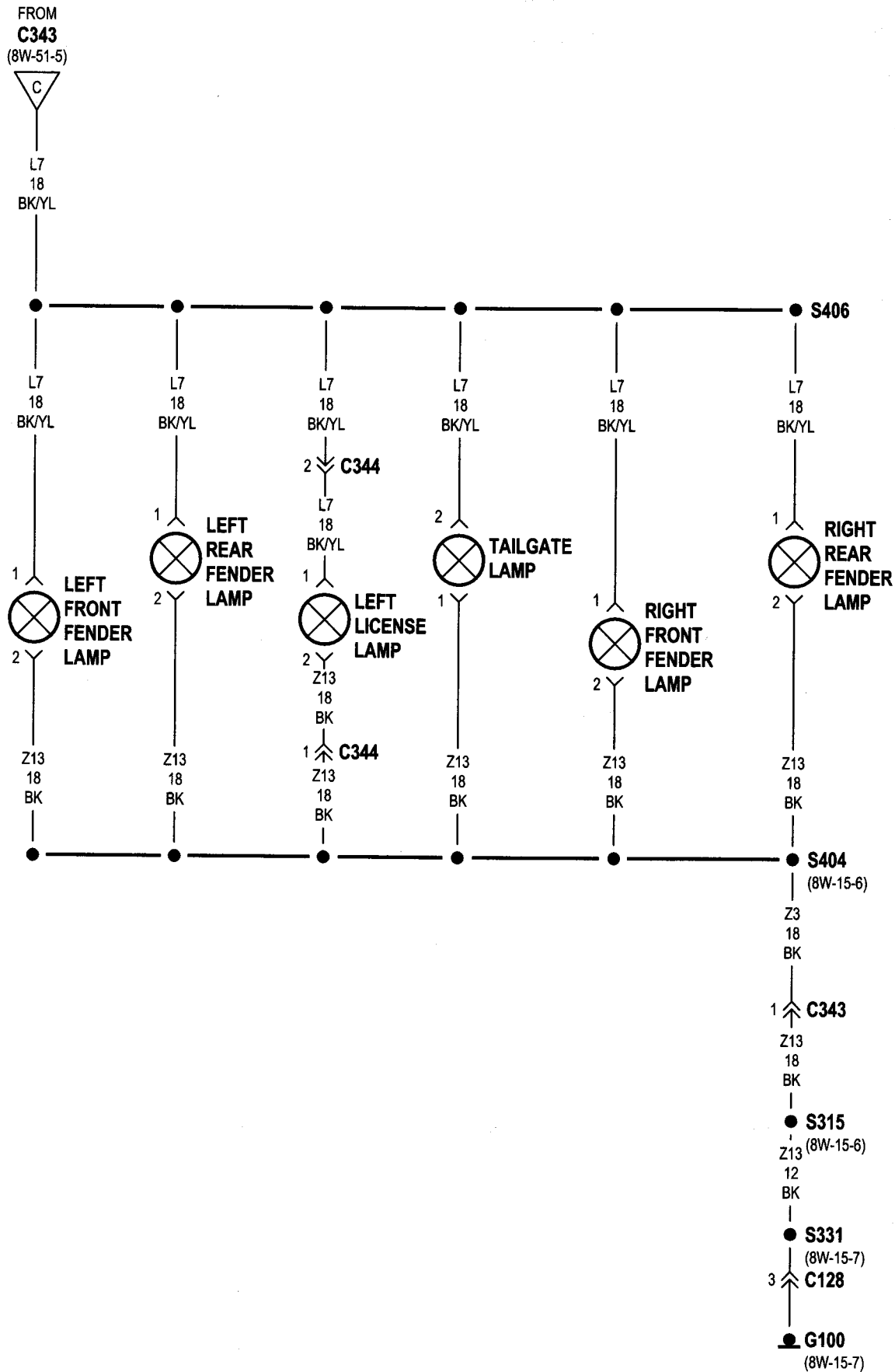


8W-51 REAR LIGHTING

Component	Page	Component	Page
Aftermarket Center High Mounted Stop Lamp	8W-51-4	Junction Block	8W-51-2
Aftermarket Trailer Tow Connector	8W-51-2	Left Back-Up Lamp	8W-51-2
Back-Up Lamp Switch	8W-51-2	Left Front Fender Lamp	8W-51-6
Brake Lamp Switch	8W-51-3	Left License Lamp	8W-51-5, 6
Center High Mounted Stop Lamp No. 1 ...	8W-51-3	Left Rear Fender Lamp	8W-51-6
Center High Mounted Stop Lamp No. 2 ...	8W-51-3	Left Tail/Stop/Turn Signal Lamp	8W-51-5
Day/Night Mirror	8W-51-2	Park/Neutral Position Switch	8W-51-2
Electric Brake Provision	8W-51-4	Power Distribution Center	8W-51-3, 4
Fuse 5 (PDC)	8W-51-3	Powertrain Control Module	8W-51-3
Fuse 7 (JB)	8W-51-2	Right Back-Up Lamp	8W-51-2
Fuse F (PDC)	8W-51-4	Right Front Fender Lamp	8W-51-6
G100	8W-51-2, 5, 6	Right License Lamp	8W-51-5
G200	8W-51-3	Right Rear Fender Lamp	8W-51-6
G301	8W-51-3	Right Tail/Stop/Turn Signal Lamp	8W-51-5
Headlamp Switch	8W-51-4	Tailgate Lamp	8W-51-6
Joint Connector No. 1	8W-51-2, 3	Trailer Tow Connector	8W-51-2
Joint Connector No. 6	8W-51-3	Turn Signal/Hazard Switch	8W-51-5
		Vehicle Speed Control Servo	8W-51-3

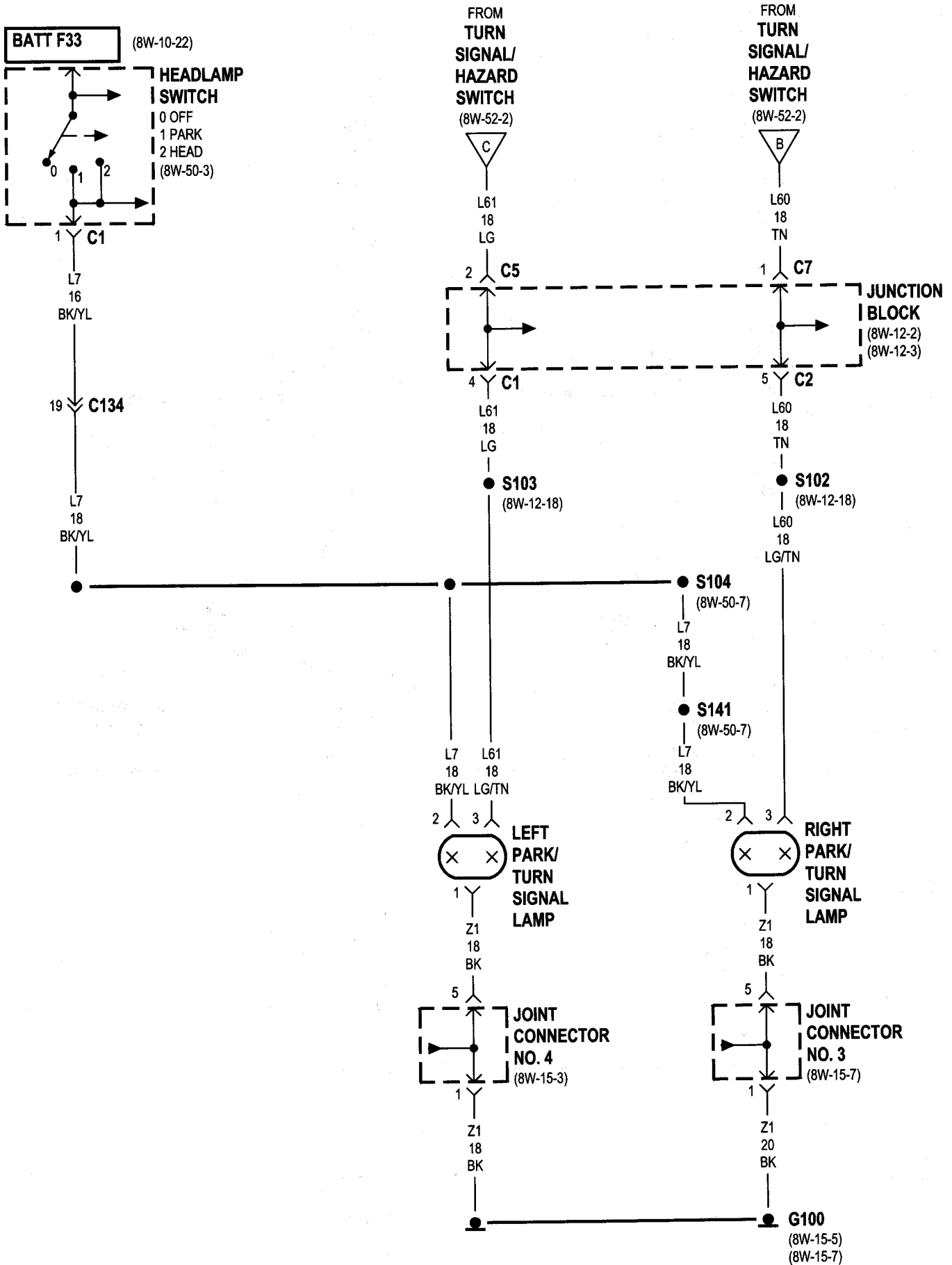


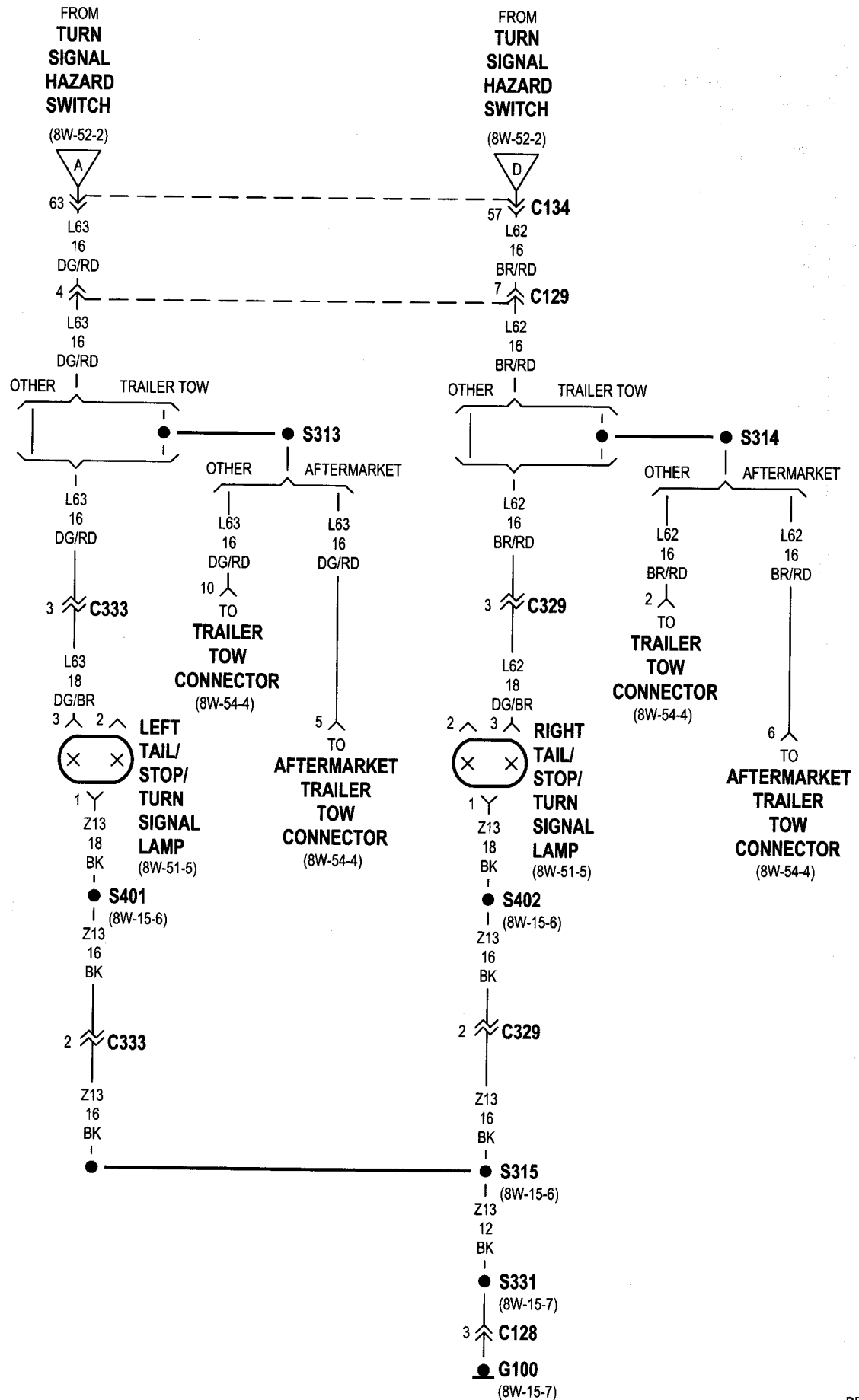




8W-52 TURN SIGNALS

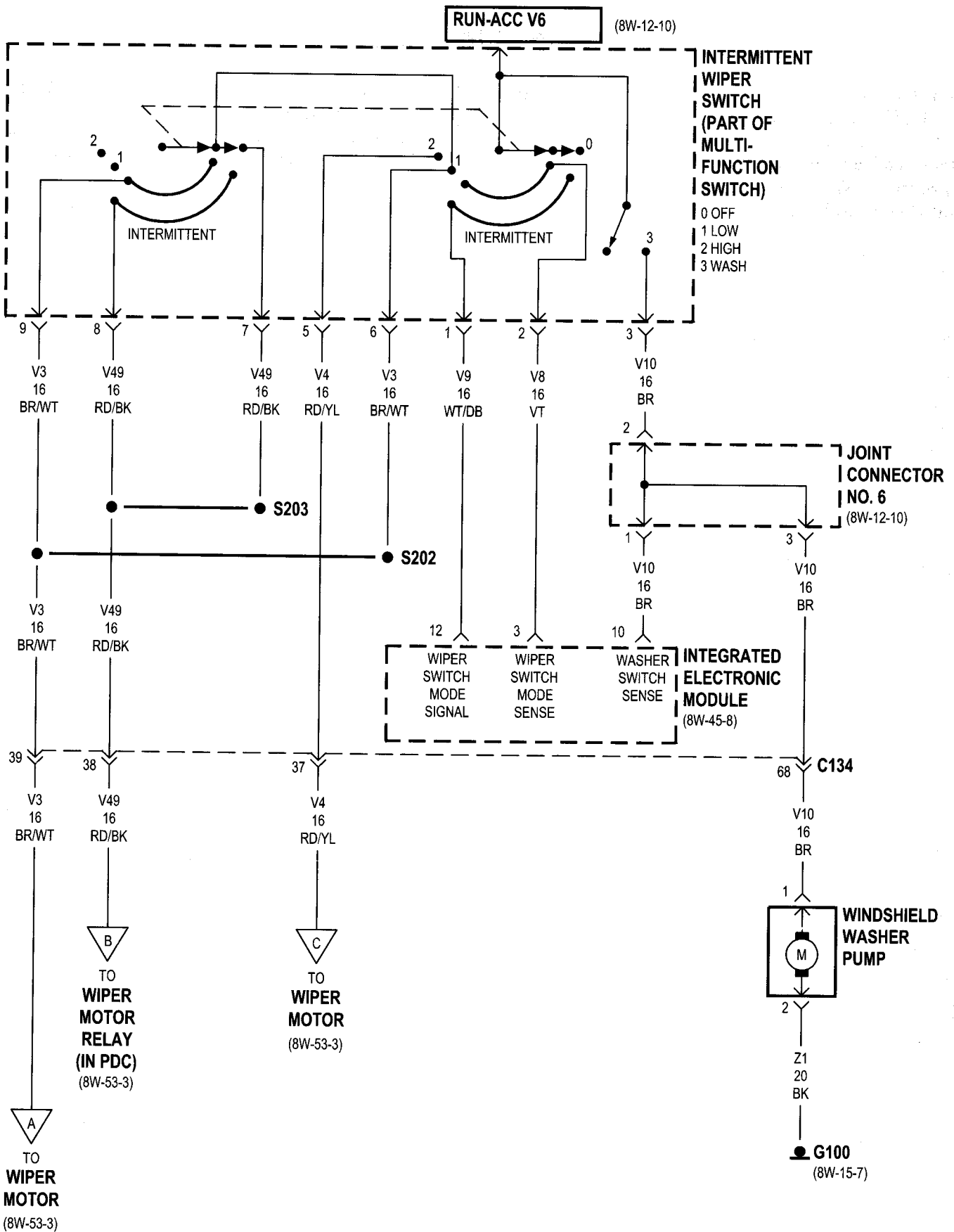
Component	Page	Component	Page
Aftermarket Trailer Tow Connector	8W-52-4	Joint Connector No. 6	8W-52-2
Brake Lamp Switch	8W-52-2	Junction Block	8W-52-2, 3
Combination Flasher	8W-52-2	Left Park/Turn Signal Lamp	8W-52-3
Fuse 4 (PDC)	8W-52-2	Left Tail/Stop/Turn Signal Lamp	8W-52-4
Fuse 10 (JB)	8W-52-2	Power Distribution Center	8W-52-2
G100	8W-52-3, 4	Right Park/Turn Signal Lamp	8W-52-3
G201	8W-52-2	Right Tail/Stop/Turn Signal Lamp	8W-52-4
Headlamp Switch	8W-52-3	Trailer Tow Connector	8W-52-4
Joint Connector No. 3	8W-52-3	Turn Signal/Hazard Switch	8W-52-2
Joint Connector No. 4	8W-52-3		

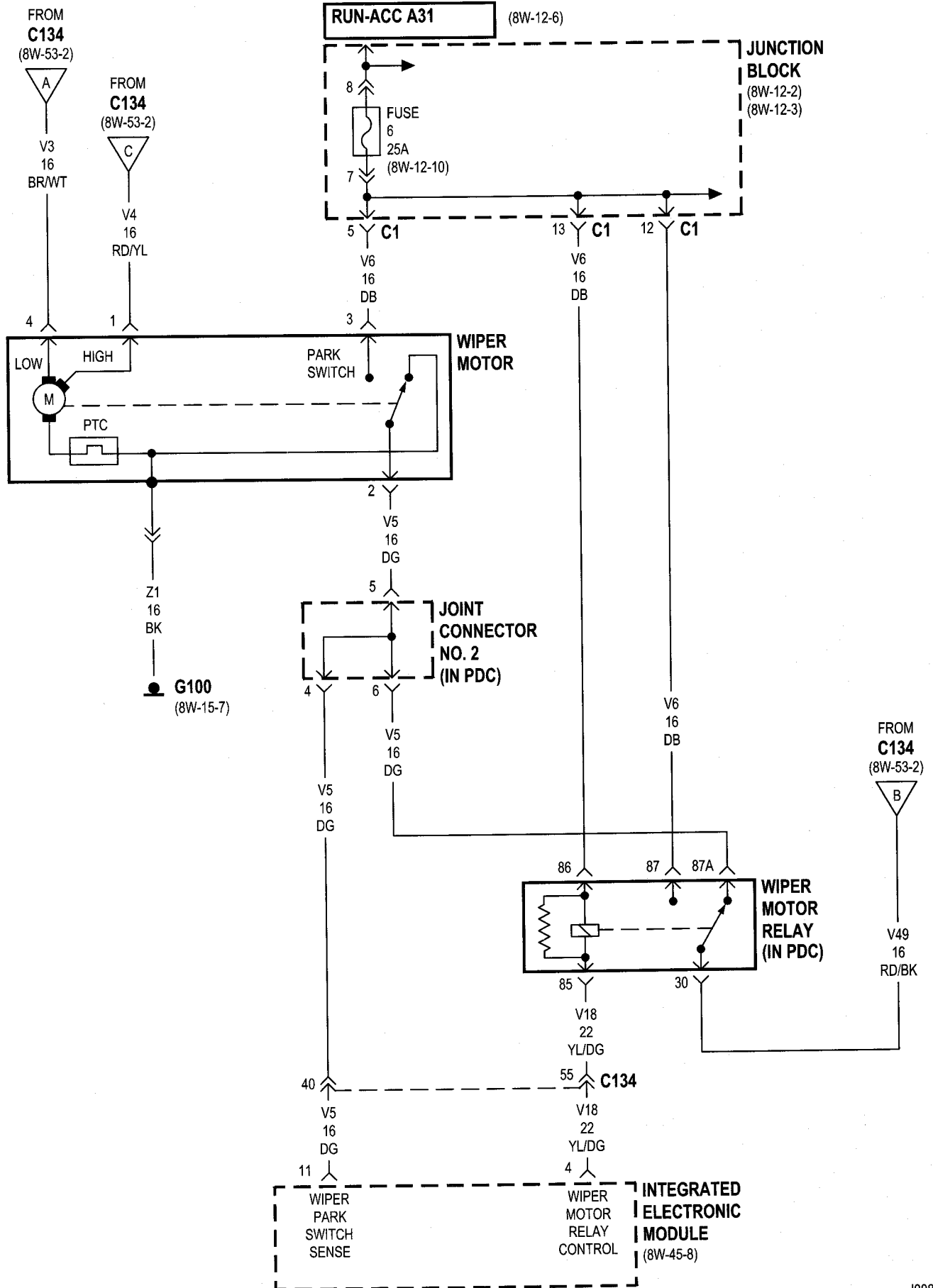




8W-53 WIPERS

Component	Page	Component	Page
Fuse 6 (JB)	8W-53-3	Joint Connector No. 6	8W-53-2
G100	8W-53-2, 3	Junction Block	8W-53-3
Integrated Electronic Module	8W-53-2, 3	Windshield Washer Pump	8W-53-2
Intermittent Wiper Switch	8W-53-2	Wiper Motor	8W-53-3
Joint Connector No. 2	8W-53-3	Wiper Motor Relay	8W-53-3

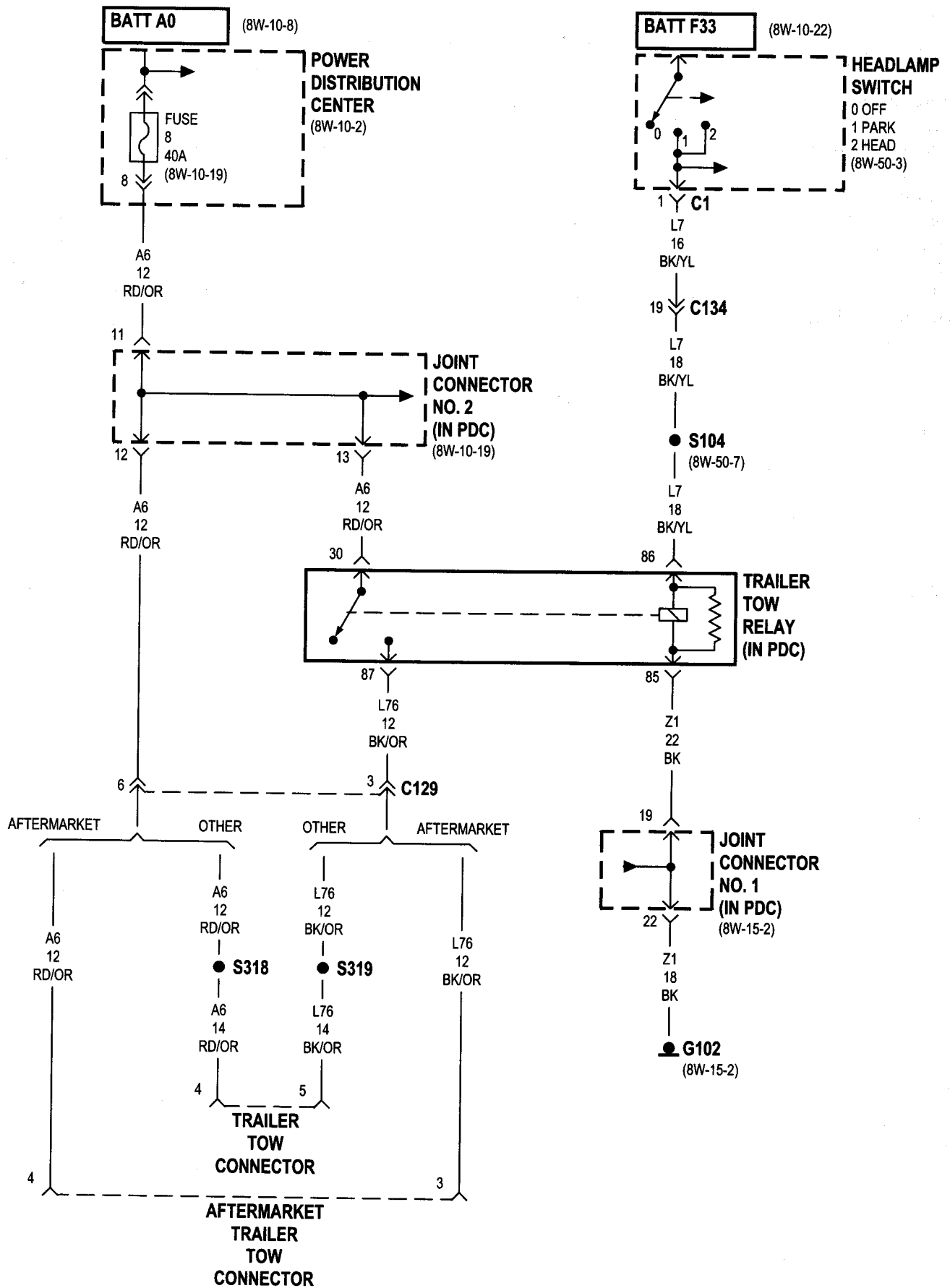


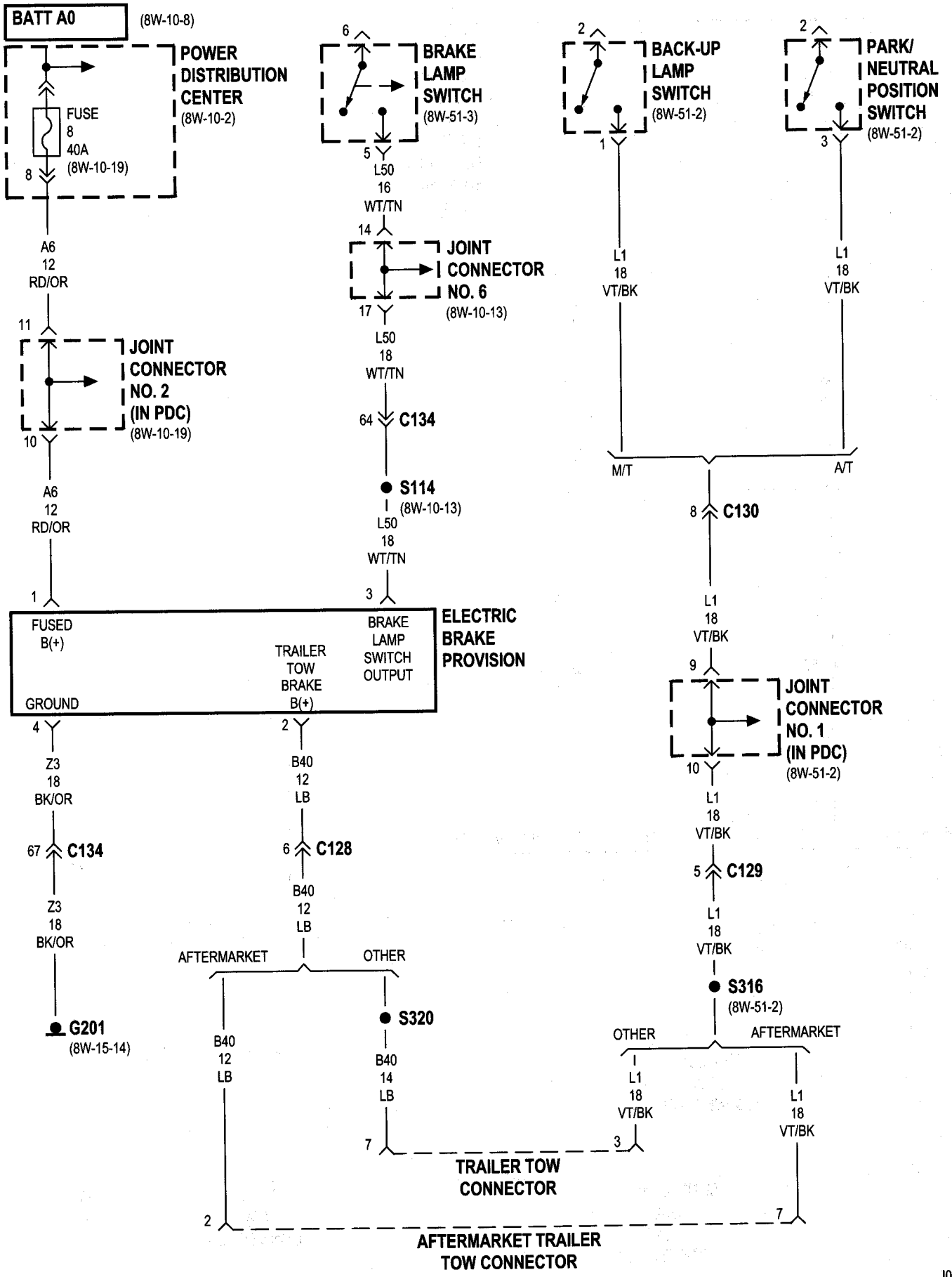




8W-54 TRAILER TOW

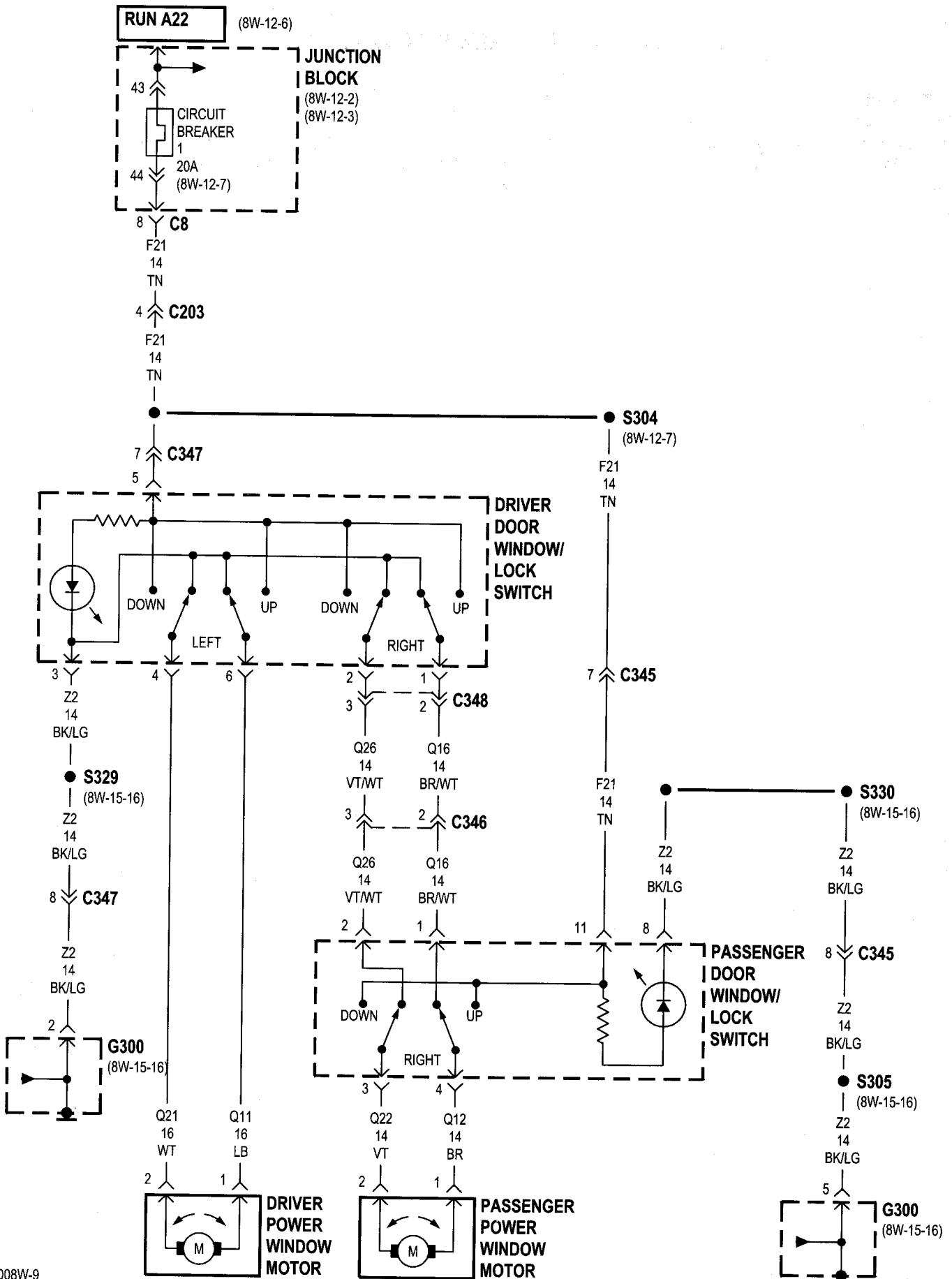
Component	Page	Component	Page
Aftermarket Trailer Tow Connector . . .	8W-54-2, 3, 4	Joint Connector No. 1	8W-54-2, 3
Back-Up Lamp Switch	8W-54-3	Joint Connector No. 2	8W-54-2, 3
Brake Lamp Switch	8W-54-3	Joint Connector No. 6	8W-54-3
Electric Brake Provision	8W-54-3	Park/Neutral Position Switch	8W-54-3
Fuse 8 (PDC)	8W-54-2, 3	Power Distribution Center	8W-54-2, 3
G100	8W-54-4	Trailer Tow Connector	8W-54-2, 3, 4
G102	8W-54-2	Trailer Tow Relay	8W-54-2
G201	8W-54-3	Turn Signal/Hazard Switch	8W-54-4
Headlamp Switch	8W-54-2		





8W-60 POWER WINDOWS

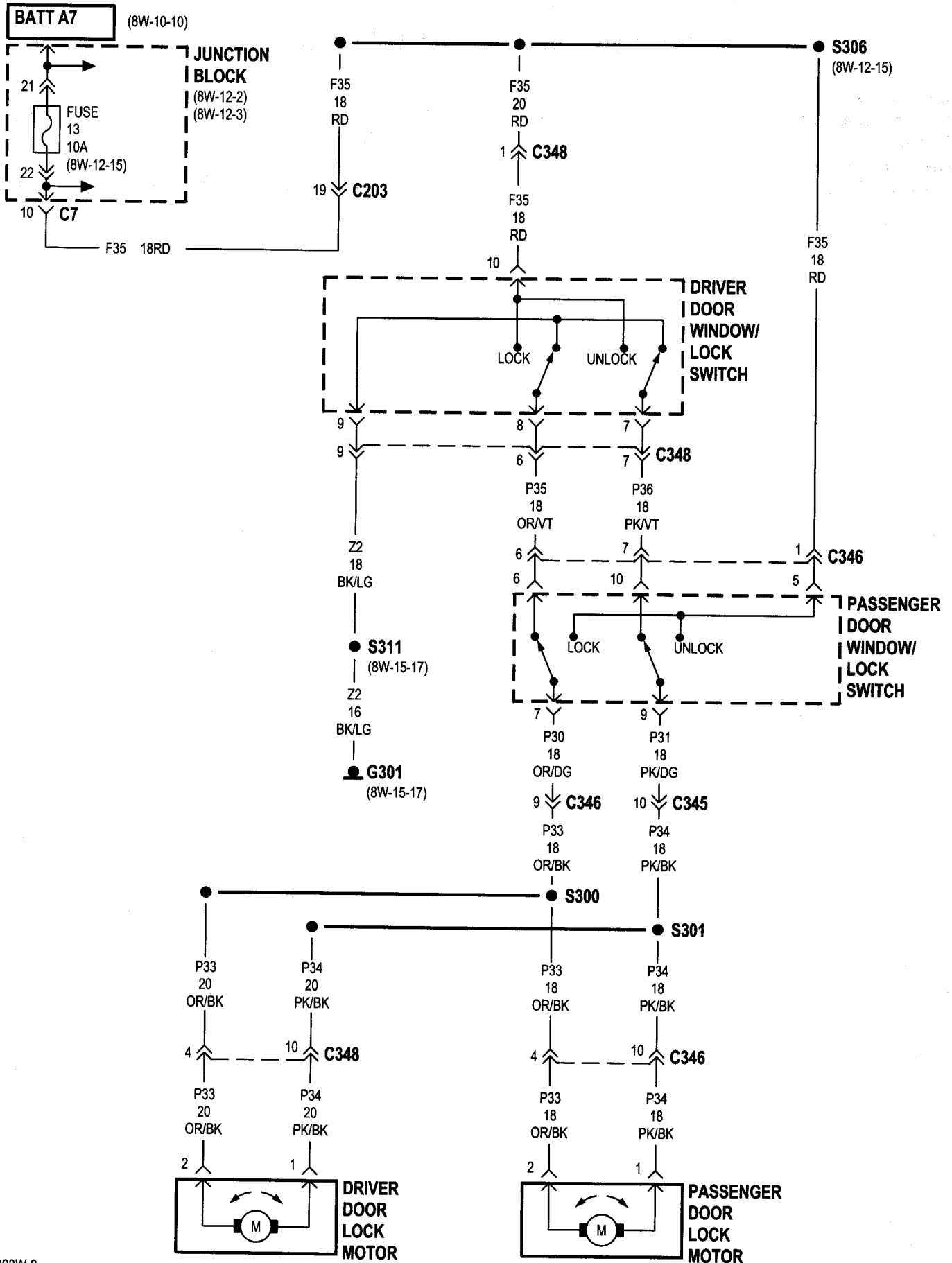
Component	Page	Component	Page
Circuit Breaker 1	8W-60-2	Junction Block	8W-60-2
Driver Door Window/Lock Switch	8W-60-2	Passenger Door Window/Lock Switch	8W-60-2
Driver Power Window Motor	8W-60-2	Passenger Power Window Motor	8W-60-2
G300	8W-60-2		

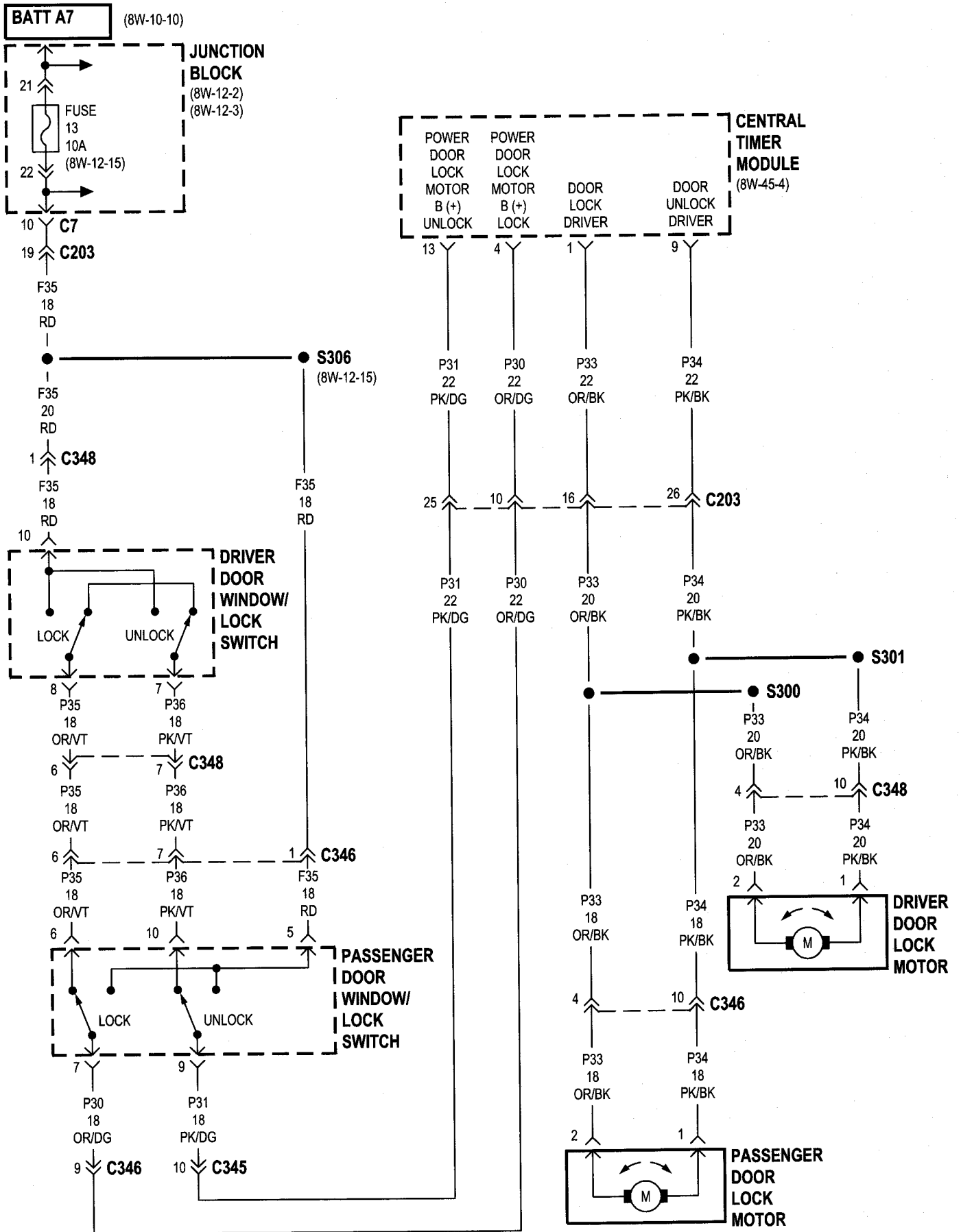


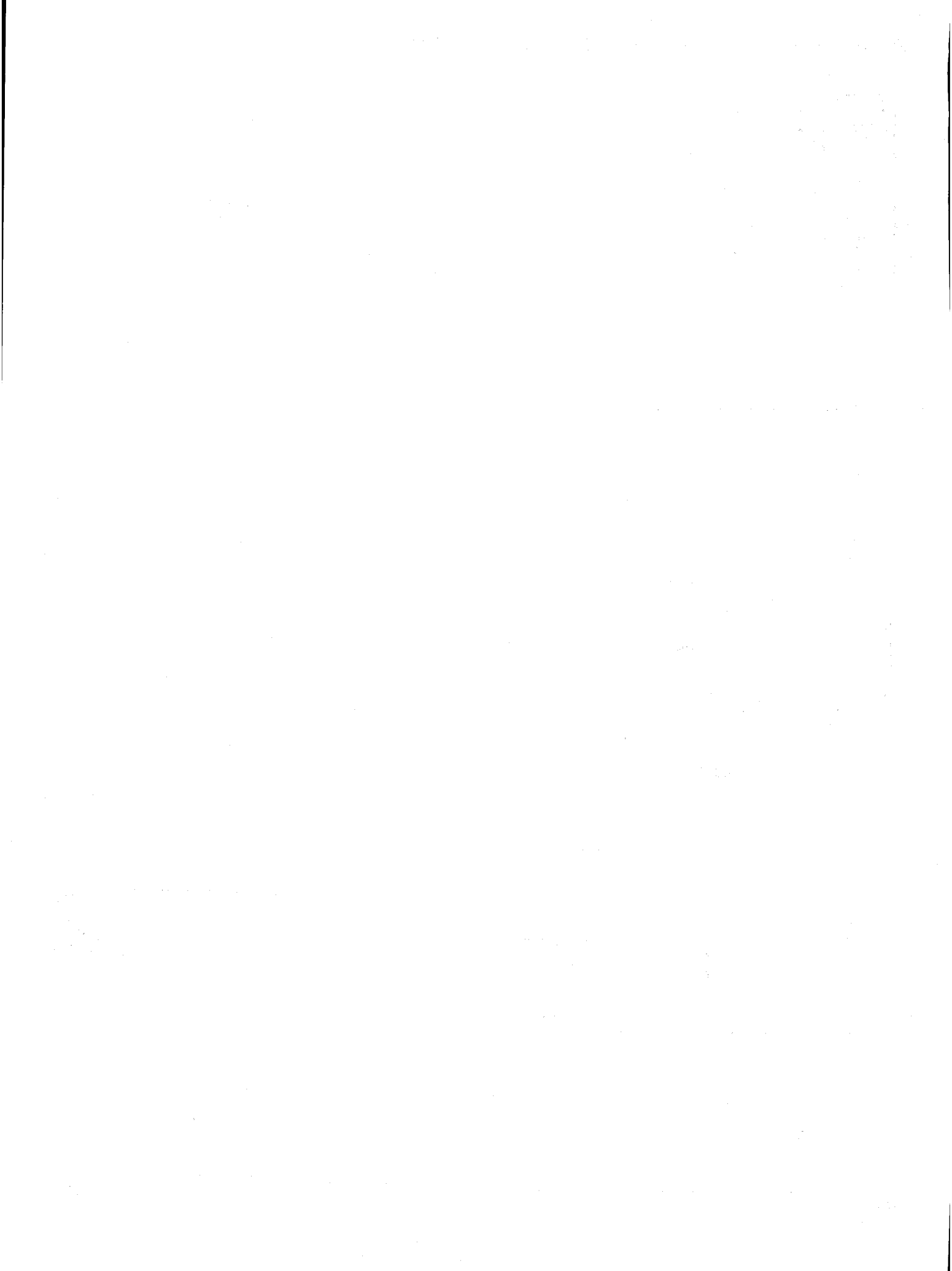
8W-61 POWER DOOR LOCKS

Component	Page	Component	Page
Central Timer Module	8W-61-3	G301	8W-61-2
Driver Door Lock Motor	8W-61-2, 3	Junction Block	8W-61-2, 3
Driver Door Window/Lock Switch	8W-61-2, 3	Passenger Door Lock Motor	8W-61-2, 3
Fuse 13 (JB)	8W-61-2, 3	Passenger Door Window/Lock Switch ...	8W-61-2, 3

IEM

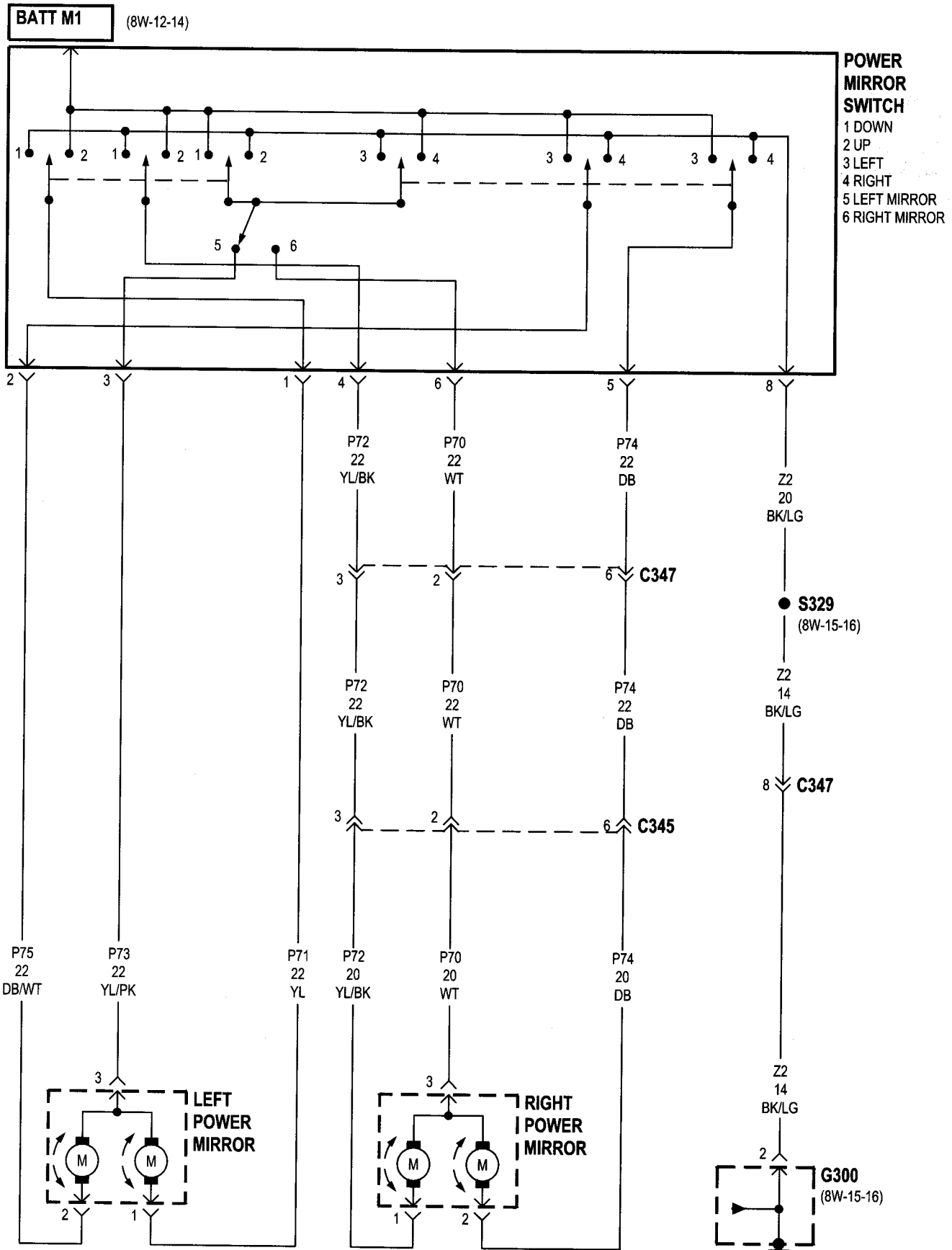


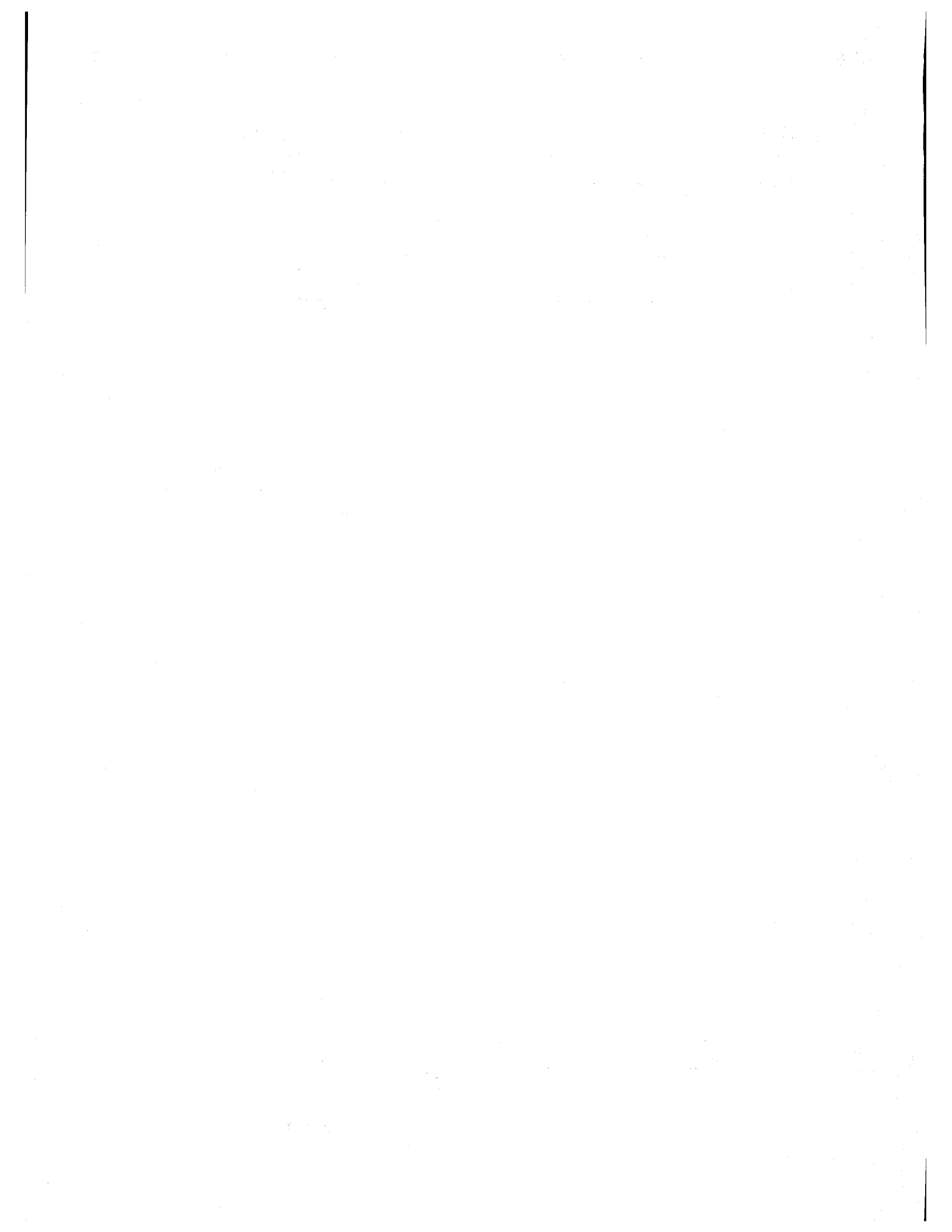




8W-62 POWER MIRRORS

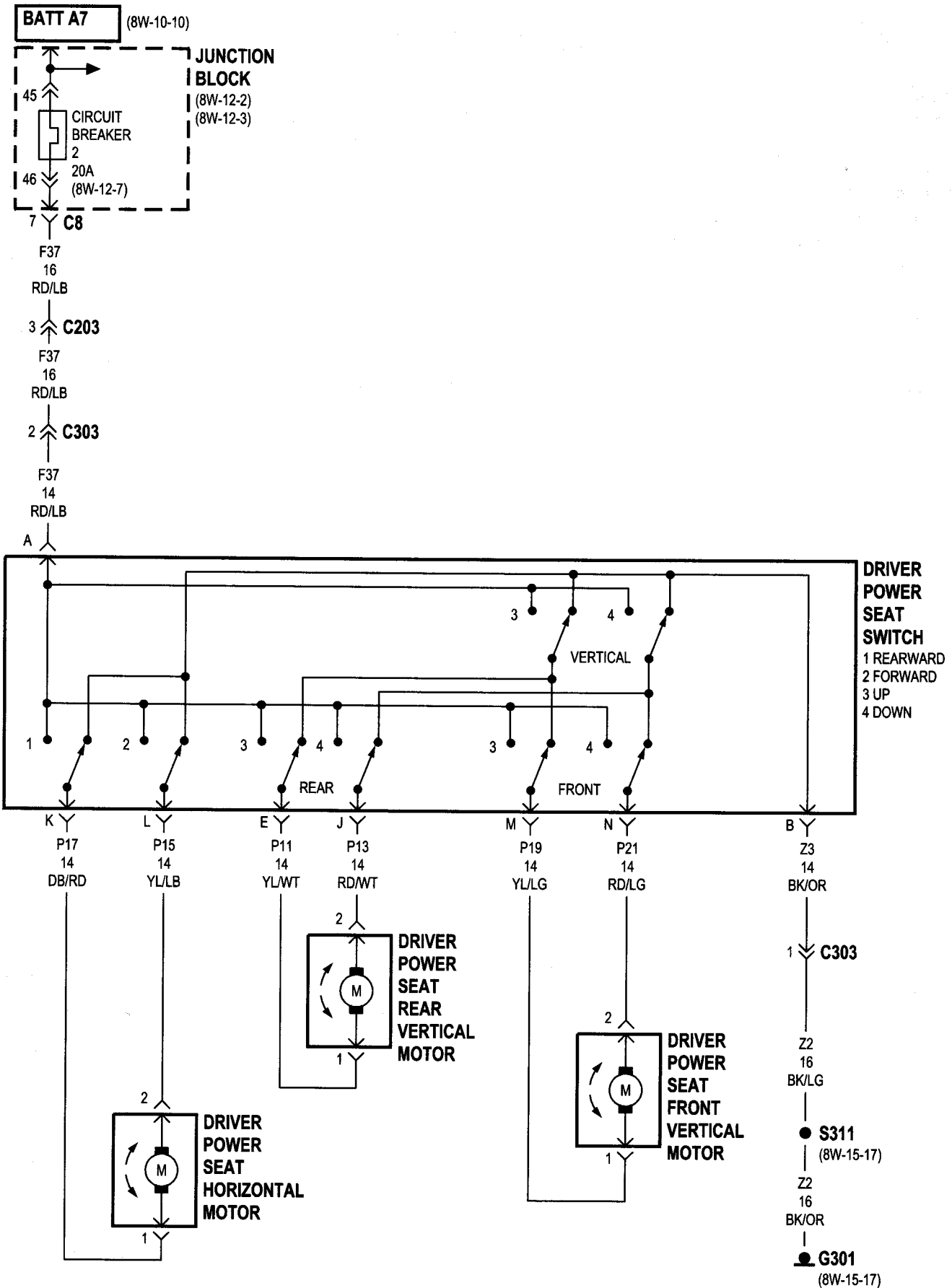
Component	Page	Component	Page
G201	8W-62-3	Joint Connector No. 5	8W-62-3
G300	8W-62-2, 3	Left Power Mirror	8W-62-2, 3
Heated Mirror Relay	8W-62-3	Power Mirror Switch	8W-62-2
Heated Mirror Switch	8W-62-3	Right Power Mirror	8W-62-2, 3

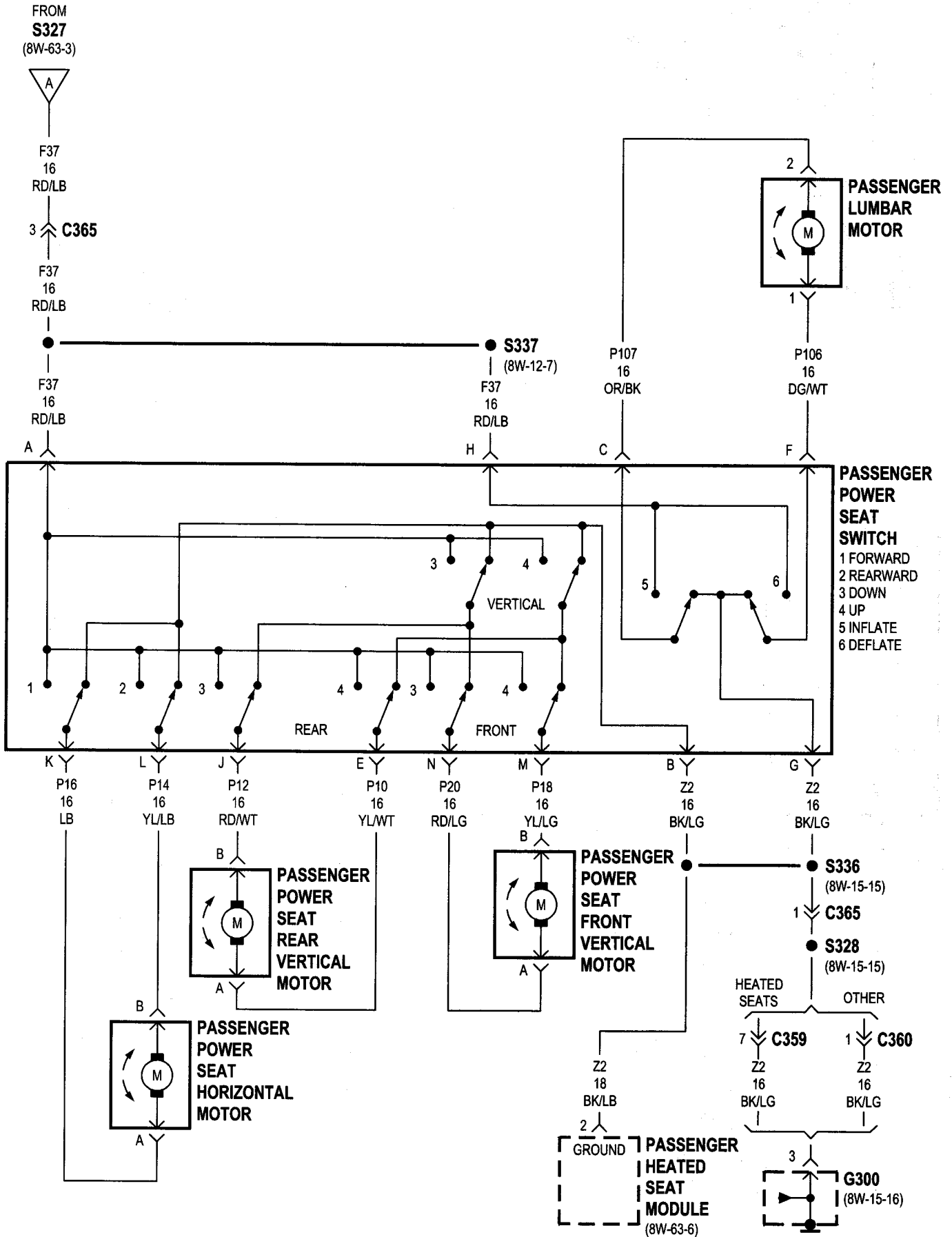


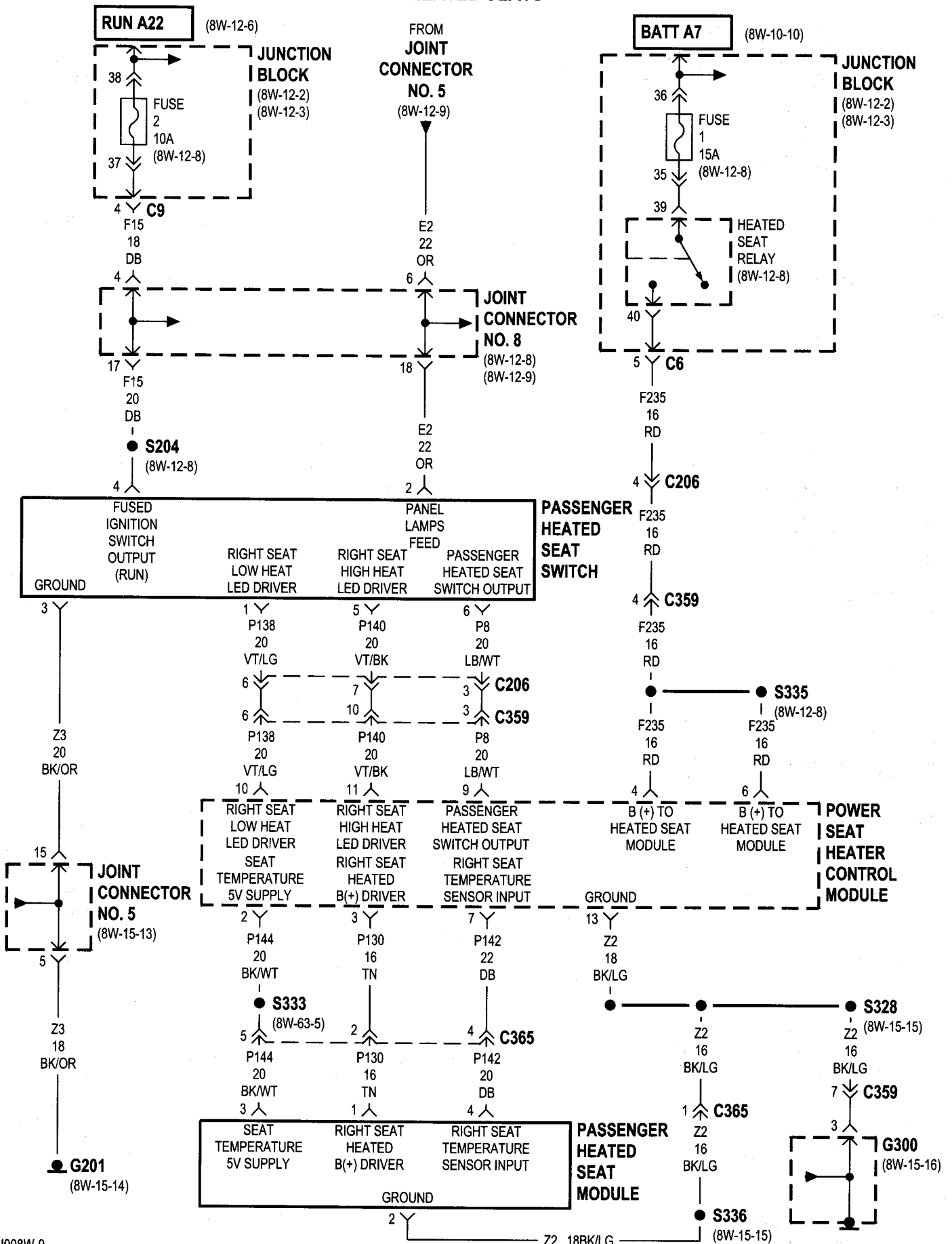


8W-63 POWER SEAT

Component	Page	Component	Page
Circuit Breaker 2	8W-63-2, 3	Heated Seat Relay	8W-63-5, 6
Driver Heated Seat Module	8W-63-5	Joint Connector No. 5	8W-63-5, 6
Driver Heated Seat Switch	8W-63-5	Joint Connector No. 8	8W-63-5, 6
Driver Lumbar Motor	8W-63-3	Junction Block	8W-63-2, 3, 5, 6
Driver Power Seat Front Vertical Motor .	8W-63-2, 3	Passenger Heated Seat Module	8W-63-4, 5, 6
Driver Power Seat Horizontal Motor	8W-63-2, 3	Passenger Heated Seat Switch	8W-63-6
Driver Power Seat Rear Vertical Motor . .	8W-63-2, 3	Passenger Lumbar Motor	8W-63-4
Driver Power Seat Switch	8W-63-2, 3	Passenger Power Seat Front Vertical Motor	8W-63-4
Fuse 1 (JB)	8W-63-5, 6	Passenger Power Seat Horizontal Motor . . .	8W-63-4
Fuse 2 (JB)	8W-63-5, 6	Passenger Power Seat Rear Vertical Motor .	8W-63-4
G201	8W-63-5, 6	Passenger Power Seat Switch	8W-63-4
G300	8W-63-3, 4, 5, 6	Power Seat Heater Control Module	8W-63-5, 6
G301	8W-63-2		

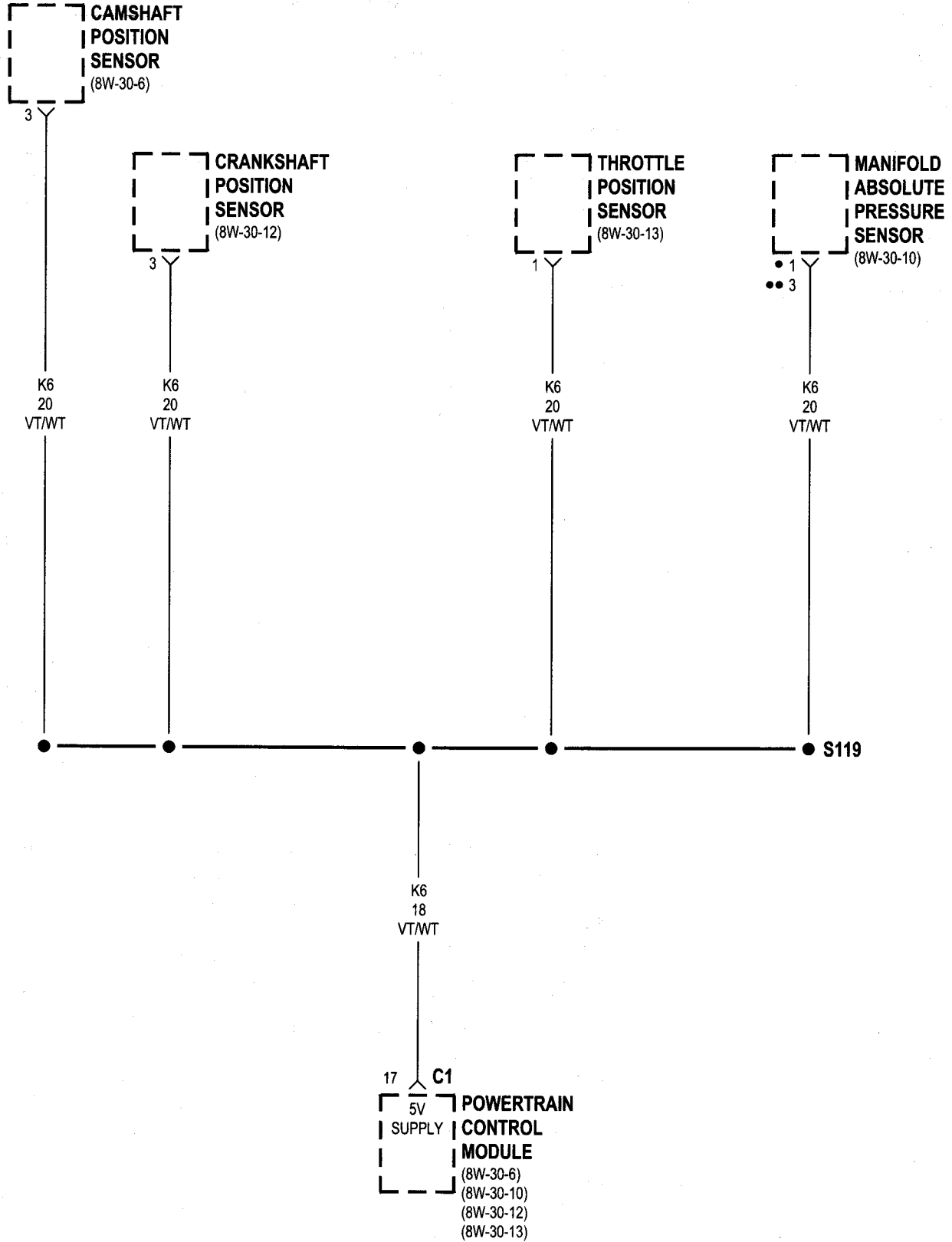




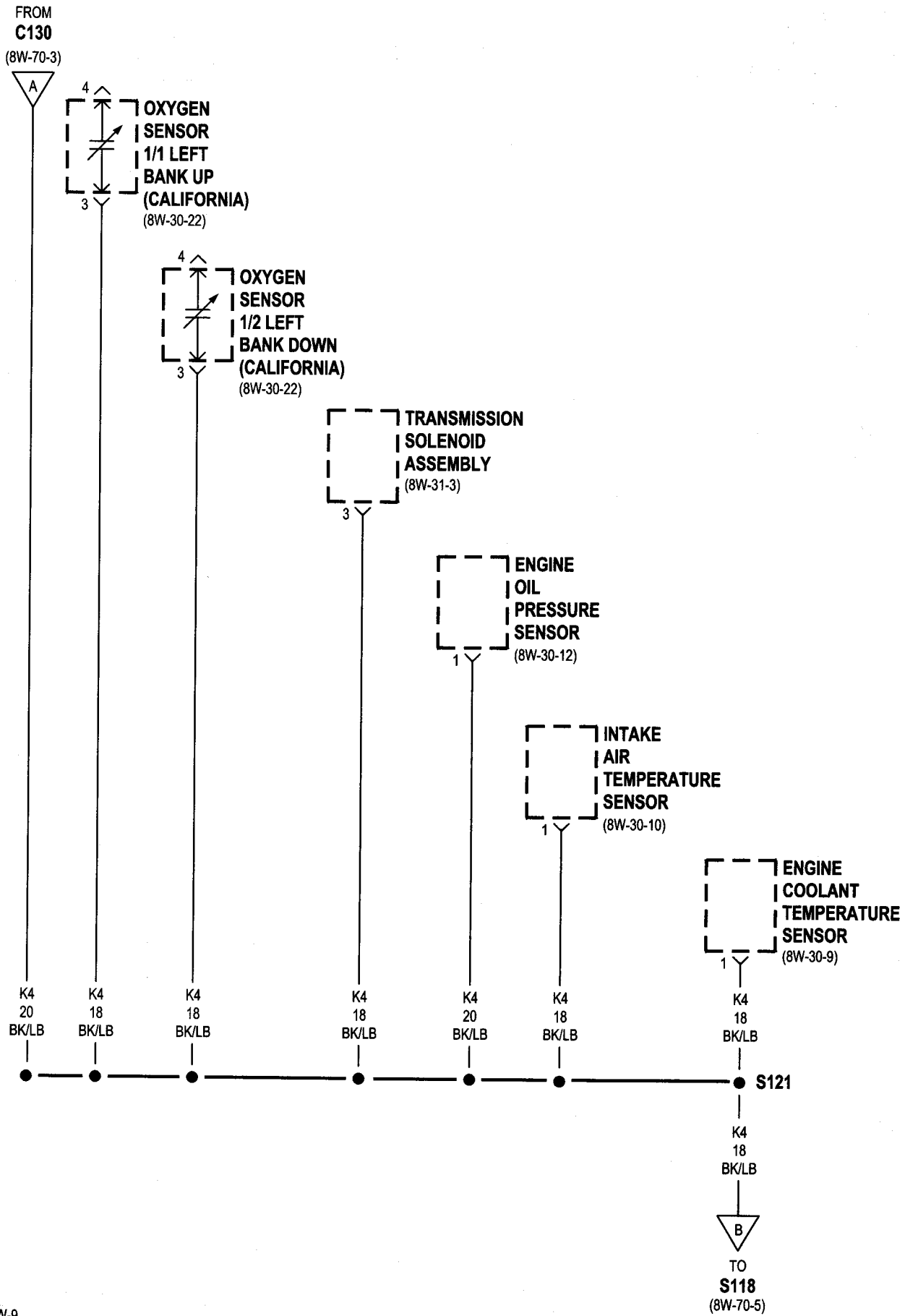


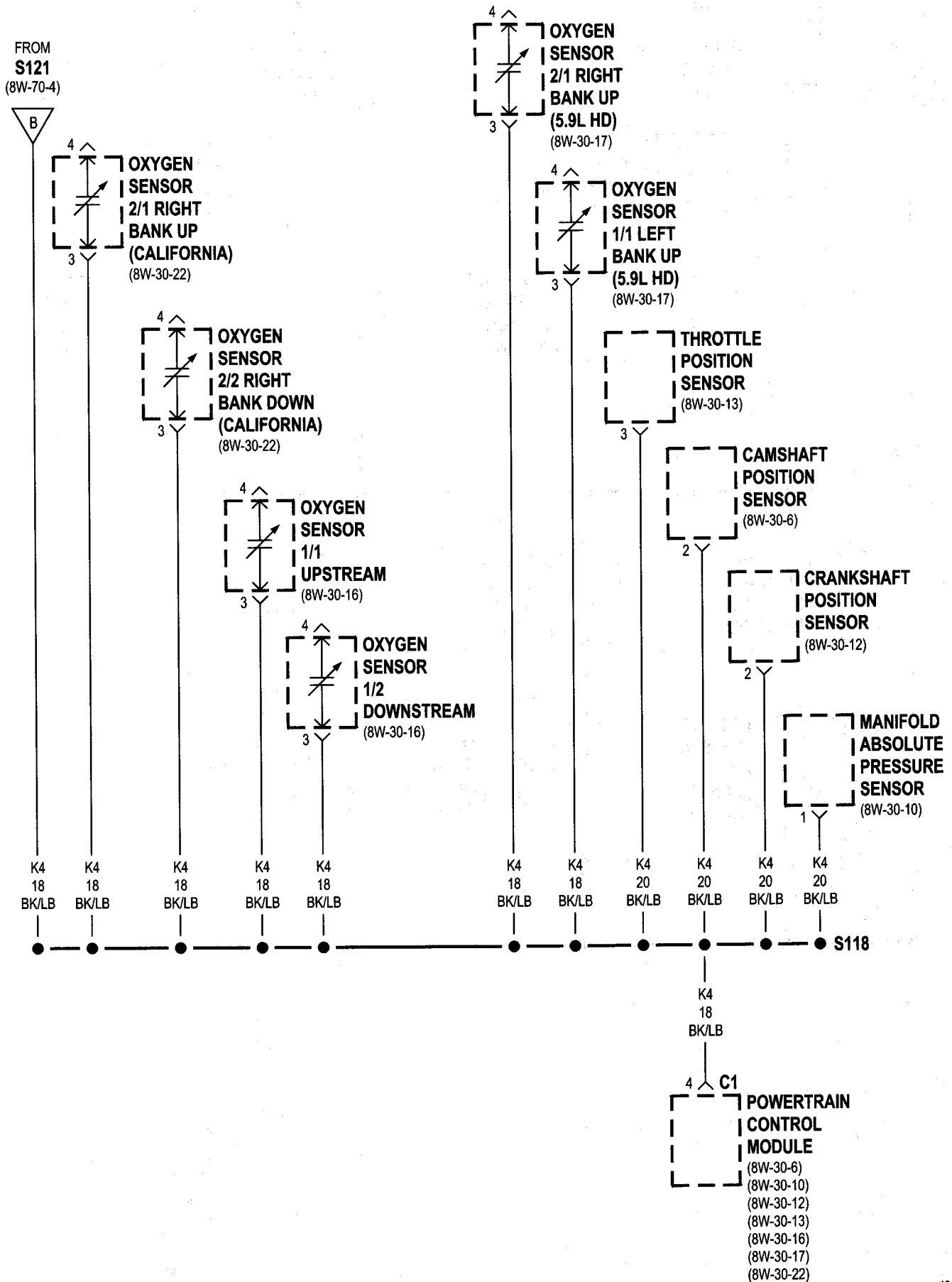
8W-70 SPLICE INFORMATION

Component	Page	Component	Page
S102	8W-12-18	S183	8W-50-9
S103	8W-12-18	S202	8W-53-2
S104	8W-50-7	S203	8W-53-2
S105	8W-12-13	S204	8W-12-8
S106	8W-50-6	S207	8W-42-4
S107	8W-12-12	S209	8W-47-4
S108	8W-12-11	S210	8W-47-4
S109	8W-15-11	S300	8W-61-2, 3
S110	8W-50-9, 10	S301	8W-61-2, 3
S112	8W-15-5	S302	8W-47-8
S113	8W-10-21	S303	8W-47-8
S114	8W-10-13	S304	8W-12-7
S116	8W-31-2	S305	8W-15-16
S117	8W-10-14, 15	S306	8W-12-15
S118	8W-70-5, 6	S307	8W-62-3
S119	8W-70-2	S308	8W-45-5
S120	8W-42-3	S310	8W-12-14
S121	8W-70-4, 6	S311	8W-15-17
S122	8W-15-8	S313	8W-52-4
S123	8W-10-14, 15	S314	8W-52-4
S124	8W-10-16	S315	8W-15-6
S126	8W-15-8, 10	S316	8W-51-2
S127	8W-21-3	S317	8W-51-5
S128	8W-15-9	S318	8W-10-19
S129	8W-10-17	S319	8W-10-19
S130	8W-10-17	S320	8W-54-3
S131	8W-10-15	S321	8W-15-6
S134	8W-50-9, 10	S322	8W-50-13
S136	8W-10-23	S323	8W-15-13
S141	8W-50-7	S324	8W-12-13
S143	8W-10-23	S325	8W-15-18
S144	8W-50-5	S326	8W-12-14
S160	8W-30-33	S327	8W-12-7
S161	8W-10-12	S328	8W-15-15
S164	8W-15-10	S329	8W-15-16
S165	8W-30-39	S330	8W-15-16
S166	8W-30-32	S331	8W-15-7
S167	8W-10-12	S332	8W-45-9
S168	8W-15-9	S333	8W-63-5
S170	8W-30-30	S335	8W-12-8
S171	8W-12-12	S336	8W-15-15
S172	8W-30-40	S337	8W-12-7
S173	8W-30-40	S340	8W-15-12
S174	8W-30-37	S401	8W-15-6
S175	8W-30-41	S402	8W-15-6
S176	8W-10-17	S404	8W-15-6
S177	8W-40-2	S406	8W-51-6
S179	8W-70-3		
S180	8W-31-2		
S181	8W-10-22		
S182	8W-50-5		

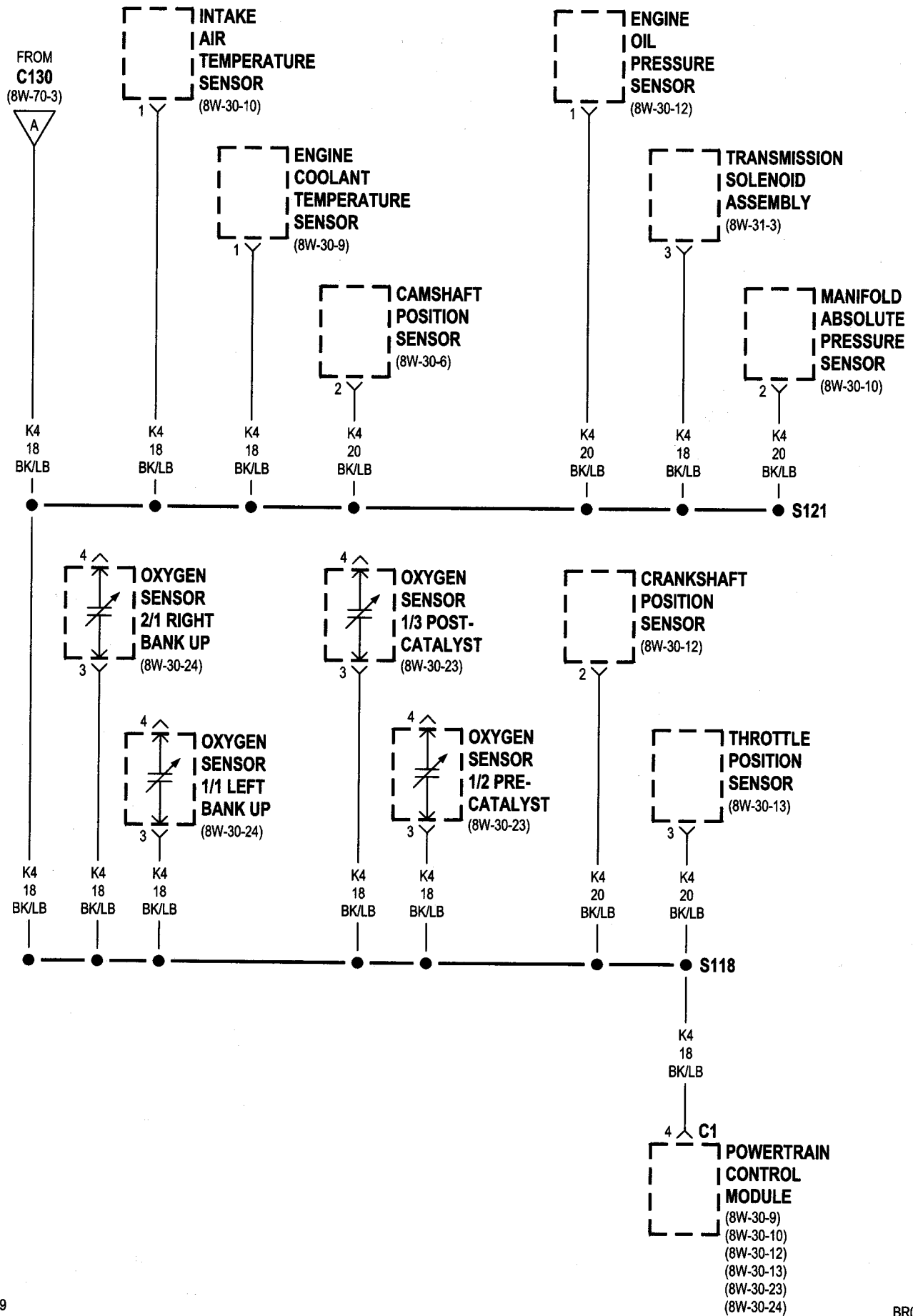


- 8.0L
- EXCEPT 8.0L





8.0L



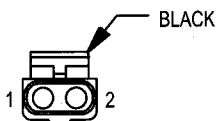
8W-80 CONNECTOR PIN-OUTS

Component	Page	Component	Page
4WD Switch	8W-80-5	C130	8W-80-12, 13
A/C Compressor Clutch	8W-80-5	C134	8W-80-14, 15
A/C Heater Control	8W-80-5	C203	8W-80-16
A/C Heater Temperature Select	8W-80-5	C205	8W-80-17
A/C High Pressure Switch	8W-80-5	C206	8W-80-17
A/C Low Pressure Switch	8W-80-6	C237	8W-80-17
Accelerator Pedal Position Sensor	8W-80-6	C303	8W-80-17
Aftermarket Trailer Tow Connector	8W-80-6	C308	8W-80-17
Airbag Control Module	8W-80-7	C329	8W-80-18
Ambient Temperature Sensor	8W-80-7	C333	8W-80-18
Ash Receiver Lamp	8W-80-7	C342	8W-80-18
Back-Up Lamp Switch	8W-80-7	C343	8W-80-18
Battery Temperature Sensor	8W-80-8	C344	8W-80-19
Blend Door Actuator	8W-80-8	C345	8W-80-19
Blower Motor	8W-80-8	C346	8W-80-19
Blower Motor Resistor Block	8W-80-8	C347	8W-80-20
Brake Lamp Switch	8W-80-8	C348	8W-80-20
Brake Pressure Switch	8W-80-8	C352	8W-80-21
Bypass Jumper	8W-80-9	C353	8W-80-21
C105	8W-80-9	C358	8W-80-21
C106	8W-80-9	C359	8W-80-22
C114	8W-80-9	C360	8W-80-22
C125	8W-80-10	C361	8W-80-22
C126	8W-80-10	C364	8W-80-23
C128	8W-80-11	C365	8W-80-23
C129	8W-80-11		

Component	Page	Component	Page
Camshaft Position Sensor	8W-80-23	Driver Power Seat Front Vertical Motor . . .	8W-80-30
Cargo Lamp No. 1	8W-80-24	Driver Power Seat Horizontal Motor	8W-80-30
Cargo Lamp No. 2	8W-80-24	Driver Power Seat Rear Vertical Motor . . .	8W-80-31
Center High Mounted Stop Lamp No. 1 . .	8W-80-24	Driver Power Seat Switch	8W-80-31, 32
Center High Mounted Stop Lamp No. 2 . .	8W-80-24	Driver Power Window Motor	8W-80-32
Center Identification Lamp	8W-80-24	Duty Cycle Evap/Purge Solenoid	8W-80-32
Central Timer Module	8W-80-25	Electric Brake Provision	8W-80-32
Cigar Lighter	8W-80-25	Engine Control Module	8W-80-33
Clockspring No. 1	8W-80-25	Engine Coolant Temperature Sensor	8W-80-34
Clockspring No. 2	8W-80-25	Engine Oil Pressure Sensor	8W-80-34, 35
Clockspring No. 3	8W-80-25	Fuel Heater	8W-80-35
Clutch Pedal Position Switch	8W-80-26	Fuel Injection Pump	8W-80-36
Controller Anti-Lock Brake	8W-80-26	Fuel Injector No. 1	8W-80-36
Crankshaft Position Sensor	8W-80-26	Fuel Injector No. 2	8W-80-36
Cummins Bus	8W-80-27	Fuel Injector No. 3	8W-80-37
Cup Holder Lamp	8W-80-27	Fuel Injector No. 4	8W-80-37
Data Link Connector	8W-80-27	Fuel Injector No. 5	8W-80-38
Day/Night Mirror	8W-80-27	Fuel Injector No. 6	8W-80-38
Daytime Running Lamp Module	8W-80-28	Fuel Injector No. 7	8W-80-38
Dome Lamp	8W-80-28	Fuel Injector No. 8	8W-80-39
Driver Cylinder Lock Switch	8W-80-28	Fuel Injector No. 9	8W-80-39
Driver Door Jamb Switch	8W-80-28, 29	Fuel Injector No. 10	8W-80-39
Driver Door Lock Motor	8W-80-29	Fuel Pump Module	8W-80-40
Driver Door Window/Lock Switch	8W-80-29	Fuel Transfer Pump	8W-80-40
Driver Heated Seat Module	8W-80-29	G300	8W-80-40
Driver Heated Seat Switch	8W-80-29	Generator	8W-80-40
Driver Lumbar Motor	8W-80-30	Glove Box Lamp	8W-80-40

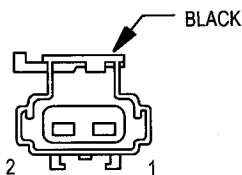
Component	Page	Component	Page
Headlamp Switch	8W-80-41	Left Headlamp	8W-80-52
Heated Mirror Switch	8W-80-41	Left License Lamp	8W-80-52
High Note Horn	8W-80-41	Left Outboard Clearance Lamp	8W-80-53
Idle Air Control Motor	8W-80-41	Left Outboard Headlamp	8W-80-53
Ignition Coil	8W-80-42	Left Outboard Identification Lamp	8W-80-53
Ignition Coil 4-Pack	8W-80-42	Left Park/Turn Signal Lamp	8W-80-53
Ignition Coil 6-Pack	8W-80-42	Left Power Mirror	8W-80-54
Ignition Switch	8W-80-42	Left Rear Fender Lamp	8W-80-54
Instrument Cluster	8W-80-43	Left Rear Speaker	8W-80-54
Intake Air Heater Relay	8W-80-43	Left Remote Radio Switch	8W-80-55
Intake Air Temperature Sensor	8W-80-44	Left Speed Control Switch	8W-80-55
Integrated Electronic Module	8W-80-44	Left Tail/Stop/Turn Signal Lamp	8W-80-55
Joint Connector No. 1	8W-80-45	Left Tweeter	8W-80-55
Joint Connector No. 2	8W-80-45	Left Visor Vanity Lamp	8W-80-55
Joint Connector No. 3	8W-80-46	Low Note Horn	8W-80-56
Joint Connector No. 4	8W-80-46	Manifold Absolute Pressure Sensor	8W-80-56
Joint Connector No. 5	8W-80-46	Multi-Function Switch	8W-80-57
Joint Connector No. 6	8W-80-47	Output Speed Sensor	8W-80-57
Joint Connector No. 7	8W-80-47	Overdrive Switch	8W-80-57
Joint Connector No. 8	8W-80-48	Overhead Console	8W-80-57, 58
Junction Block	8W-80-49, 50, 51	Oxygen Sensor 1/1 Left Bank Up	8W-80-58
Leak Detection Pump	8W-80-51	Oxygen Sensor 1/1 Upstream	8W-80-58
Left Back-Up Lamp	8W-80-51	Oxygen Sensor 1/2 Downstream	8W-80-58
Left Fog Lamp	8W-80-51	Oxygen Sensor 1/2 Left Bank Down	8W-80-59
Left Front Door Speaker	8W-80-52	Oxygen Sensor 1/2 Pre- Catalyst	8W-80-59
Left Front Fender Lamp	8W-80-52	Oxygen Sensor 1/3 Post Catalyst	8W-80-59
Left Front Wheel Speed Sensor	8W-80-52	Oxygen Sensor 2/1 Right Bank Up	8W-80-60

Component	Page	Component	Page
Oxygen Sensor 2/2 Right Bank Down	8W-80-60	Right Front Door Speaker	8W-80-73
Park/Neutral Position Switch	8W-80-60	Right Front Fender Lamp	8W-80-73
Passenger Airbag	8W-80-61	Right Front Wheel Speed Sensor	8W-80-74
Passenger Airbag On/Off Switch	8W-80-61	Right Headlamp	8W-80-74
Passenger Cylinder Lock Switch	8W-80-61	Right License Lamp	8W-80-74
Passenger Door Jamb Switch	8W-80-61	Right Outboard Clearance Lamp	8W-80-74
Passenger Door Lock Motor	8W-80-61	Right Outboard Headlamp	8W-80-74
Passenger Door Window/Lock Switch	8W-80-62	Right Outboard Identification Lamp	8W-80-74
Passenger Heated Seat Module	8W-80-62	Right Park/Turn Signal	8W-80-75
Passenger Heated Seat Switch	8W-80-62	Right Power Mirror	8W-80-75
Passenger Lumbar Motor	8W-80-62	Right Rear Fender Lamp	8W-80-75
Passenger Power Seat Front Vertical Motor	8W-80-62	Right Rear Speaker	8W-80-75, 76
Passenger Power Seat Horizontal Motor	8W-80-63	Right Remote Radio Switch	8W-80-76
Passenger Power Sear Rear Vertical Motor	8W-80-63	Right Speed Control Switch	8W-80-76
Passenger Power Seat Switch	8W-80-63	Right Tail/Stop/Turn Signal Lamp	8W-80-76
Passenger Power Window Motor	8W-80-63	Right Tweeter	8W-80-77
Power Mirror Switch	8W-80-64	Right Visor/Vanity Lamp	8W-80-77
Power Seat Heater Control Module	8W-80-64	Seat Belt Switch	8W-80-77, 78
Power Outlet	8W-80-64	Tailgate Lamp	8W-80-78
Powertrain Control		Throttle Position Sensor	8W-80-78
Module	8W-80-65, 66, 67, 68, 69, 70	Trailer Tow Connector	8W-80-79
Radio	8W-80-71	Transmission Solenoid Assembly	8W-80-79
Radio Choke Relay	8W-80-71	Underhood Lamp	8W-80-79
Rear Wheel Speed Sensor	8W-80-72	Vehicle Speed Control Servo	8W-80-80
Right Back-Up Lamp	8W-80-72	Washer Fluid Level Switch	8W-80-80
Right Fog Lamp	8W-80-72	Water In Fuel Sensor	8W-80-80
		Windshield Washer Pump	8W-80-80
		Wiper Motor	8W-80-80



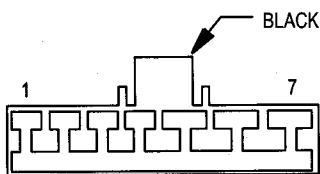
4WD SWITCH

CAV	CIRCUIT	FUNCTION
1	G107 18BK/GY	4WD SWITCH SENSE
2	Z1 18BK	GROUND



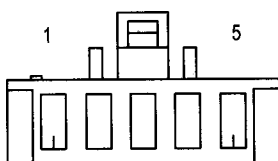
A/C COMPRESSOR CLUTCH

CAV	CIRCUIT	FUNCTION
1	C3 18DB/BK	A/C COMPRESSOR CLUTCH RELAY OUTPUT
2	Z11 18BK/WT	GROUND



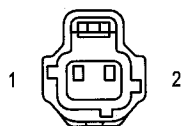
A/C-HEATER CONTROL

CAV	CIRCUIT	FUNCTION
1	E2 22OR	FUSED PANEL LAMPS DIMMER SWITCH SIGNAL
2	C90 22LG/WT	A/C SELECT INPUT
3	C4 16TN	LOW SPEED BLOWER MOTOR
4	C5 16LG	M1 SPEED BLOWER MOTOR
5	C6 14LB	M2 SPEED BLOWER MOTOR
6	C7 12BK/TN	HIGH SPEED BLOWER MOTOR
7	Z3 12BK/OR	GROUND



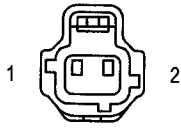
A/C HEATER TEMPERATURE SELECT

CAV	CIRCUIT	FUNCTION
1	-	-
2	Z2 22BK/LG	GROUND
3	C82 22YL/OR	TEMPERATURE SELECT
4	F15 22DB	FUSED IGNITION SWITCH OUTPUT (RUN)
5	-	-



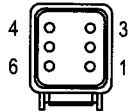
A/C HIGH PRESSURE SWITCH

CAV	CIRCUIT	FUNCTION
1	C90 18LG/WT	A/C SELECT INPUT
2	C22 18DB	A/C SWITCH SENSE



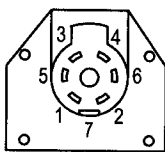
A/C LOW PRESSURE SWITCH

CAV	CIRCUIT	FUNCTION
1	C20 18BR	A/C SWITCH SENSE
2	C22 18DB	A/C SWITCH SENSE



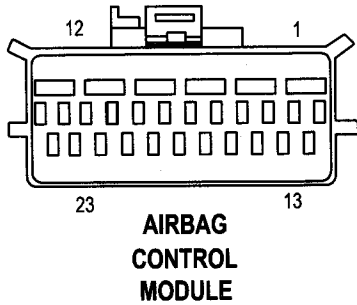
ACCELERATOR PEDAL POSITION SENSOR (DIESEL)

CAV	CIRCUIT	FUNCTION
1	K104 18BK/LB	B (+)
2	H105 18LG/DB	IDLE VALIDATION SWITCH NO. 2
3	H102 18LB/BK	ACCELERATOR PEDAL POSITION SENSOR SIGNAL
4	H103 18BK/YL	ACCELERATOR PEDAL POSITION SENSOR GROUND
5	H101 18DB/WT	ACCELERATOR PEDAL POSITION SENSOR SUPPLY
6	H104 18BR/OR	IDLE VALIDATION SWITCH NO. 1

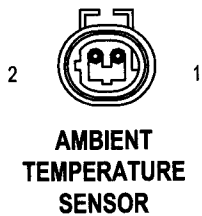


AFTERMARKET TRAILER TOW CONNECTOR

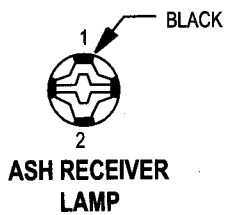
CAV	CIRCUIT	FUNCTION
1	Z13 12BK	GROUND
2	B40 12LB	TRAILER TOW BRAKE B(+)
3	L76 12BK/OR	TRAILER TOW RELAY OUTPUT
4	A6 12RD/OR	FUSED B(+)
5	L63 16DG/RD	LEFT TURN SIGNAL
6	L62 16BR/RD	RIGHT TURN SIGNAL
7	L1 18VT/BK	BACK-UP LAMP FEED



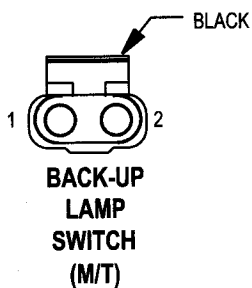
CAV	CIRCUIT	FUNCTION
1	-	-
2	-	-
3	-	-
4	Z6 18BK/PK	GROUND
5	R43 18BK/LB	DRIVER AIRBAG LINE 2
6	R45 18DG/LB	DRIVER AIRBAG LINE 1
7	R142 18BR/YL	PASSENGER AIRBAG LINE 1
8	R144 18VT/YL	PASSENGER AIRBAG LINE 2
9	-	-
10	-	-
11	-	-
12	-	-
13	-	-
14	F14 18LG/YL	FUSED IGNITION SWITCH OUTPUT (ST-RUN)
15	F23 18DB/YL	FUSED IGNITION SWITCH OUTPUT (RUN)
16	-	-
17	-	-
18	-	-
19	-	-
20	-	-
21	D1 18VT/BR	CCD BUS (+)
22	D2 18WT/BK	CCD BUS (-)
23	-	-



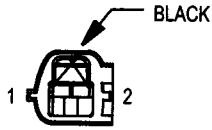
CAV	CIRCUIT	FUNCTION
1	G31 20VT/LG	AMBIENT TEMPERATURE SENSOR SIGNAL
2	G32 20BK/VT	SENSOR GROUND



CAV	CIRCUIT	FUNCTION
1	E2 22OR	FUSED PANEL LAMPS DIMMER SWITCH SIGNAL
2	Z3 20BK/OR	GROUND



CAV	CIRCUIT	FUNCTION
1	L1 18VT/BK	BACK-UP LAMP FEED
2	L10 18BR/LG	FUSED IGNITION SWITCH OUTPUT (RUN)



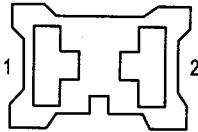
BATTERY TEMPERATURE SENSOR

CAV	CIRCUIT	FUNCTION
1	K4 20BK/LB	SENSOR GROUND
2	K118 20PK/YL	BATTERY TEMPERATURE SENSOR SIGNAL



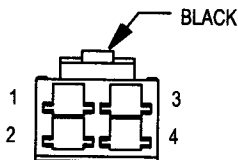
BLEND DOOR ACTUATOR

CAV	CIRCUIT	FUNCTION
1	F15 20DB	FUSED IGNITION SWITCH OUTPUT (RUN)
2	C82 20YL/OR	TEMPERATURE SELECT
3	Z2 20BK/LG	GROUND
4	-	-
5	-	-
6	-	-



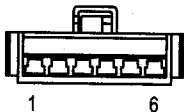
BLOWER MOTOR

CAV	CIRCUIT	FUNCTION
1	C1 12DG	BLOWER MOTOR FEED
2	C7 12BK/TN	HIGH SPEED BLOWER MOTOR



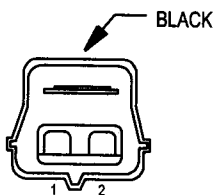
BLOWER MOTOR RESISTOR BLOCK

CAV	CIRCUIT	FUNCTION
1	C7 12BK/TN	HIGH SPEED BLOWER MOTOR
2	C6 14LB	M2 SPEED BLOWER MOTOR
3	C5 16LG	M1 SPEED BLOWER MOTOR
4	C4 16TN	LOW SPEED BLOWER MOTOR



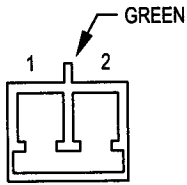
BRAKE LAMP SWITCH

CAV	CIRCUIT	FUNCTION
1	V40 22WT/PK	BRAKE SWITCH SENSE
2	Z2 22BK/LG	GROUND
3	V32 22YL/RD	SPEED CONTROL POWER SUPPLY
4	V30 22DB/RD	SPEED CONTROL BRAKE SWITCH OUTPUT
5	L50 16WT/TN	BRAKE LAMP SWITCH OUTPUT
6	F32 16PK/DB	FUSED B(+)



BRAKE PRESSURE SWITCH

CAV	CIRCUIT	FUNCTION
1	Z1 20BK	GROUND
2	G9 20GY/BK	RED BRAKE WARNING INDICATOR DRIVER



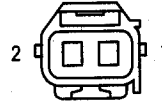
**BYPASS JUMPER
(A/T)**

CAV	CIRCUIT	CIRCUIT
1	T141 14YL/RD	FUSED IGNITION SWITCH OUTPUT (ST)
2	T141 14YL/RD	FUSED IGNITION SWITCH OUTPUT (ST)



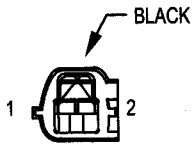
C105

CAV	CIRCUIT
1	L34 20RD/OR
2	L39 20LB



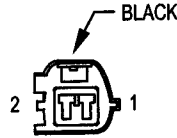
C105

CAV	CIRCUIT
1	L34 20RD/OR
2	L39 20LB



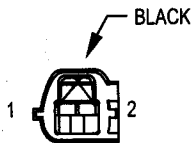
C106

CAV	CIRCUIT
1	G107 20GY
2	Z1 20BK



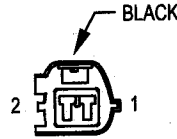
C106

CAV	CIRCUIT
1	G107 18BK/GY
2	Z1 18BK



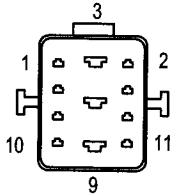
C114

CAV	CIRCUIT
1	G31 20VT/LG
2	G32 20BK/VT



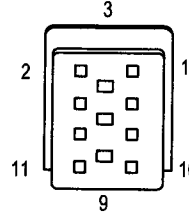
C114

CAV	CIRCUIT
1	G31 20VT/LG
2	G32 20BK/VT



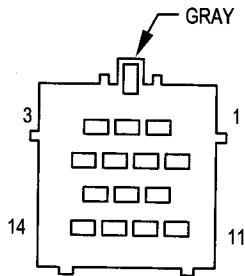
**C125
(DIESEL)**

CAV	CIRCUIT
1	F18 18LG/BK
2	G113 18OR
3	A14 14RD/WT
4	C3 18DB/BK
5	C90 18LG/WT
6	K22 18OR/DB
7	A40 14RD/LG
8	K131 18BR/WT
9	A93 12RD/BK
10	-
11	G7 18WT/OR



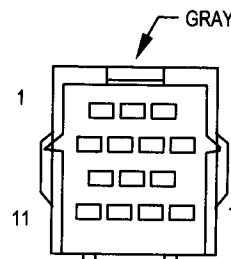
**C125
(DIESEL)**

CAV	CIRCUIT
1	F18 18LG/BK
2	G113 18OR
3	A14 12RD/WT
4	C3 18DB/BK
5	C90 18LG/WT
6	K22 18OR/DB
7	A40 14RD/LG
8	K131 18BR/WT
9	A93 12RD/BK
10	-
11	-



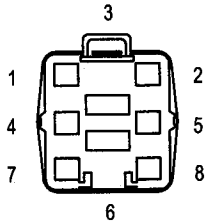
**C126
(DIESEL)**

CAV	CIRCUIT
1	K20 18DG
2	Z12 18BK/TN
3	T125 18DB
4	D20 18DG
5	D21 18PK/DB
6	D1 18VT/BR
7	D2 18WT/BK
8	G85 18OR/BK
9	C22 18DB
10	K24 18GY/BK
11	-
12	Z12 18BK/TN
13	S21 18YL/BK
14	S22 18OR/BK



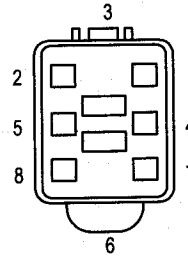
**C126
(DIESEL)**

CAV	CIRCUIT
1	K20 18DG
2	-
3	T125 18DB
4	D20 18DG
5	D21 18PK/DB
6	D1 18VT/BR
7	D2 18WT/BK
8	G85 18OR/BK
9	C22 18DB
10	K24 18GY/BK
11	-
12	Z12 18BK/TN
13	S21 18YL/BK
14	S22 18OR/BK



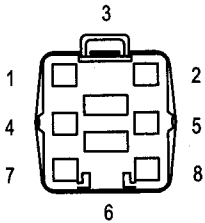
C128

CAV	CIRCUIT
1	B113 20RD/VT
2	B114 20WT/VT
3	Z13 12BK
4	-
5	-
6	B40 12LB
7	K4 20BK/LB
8	K226 20DB/WT



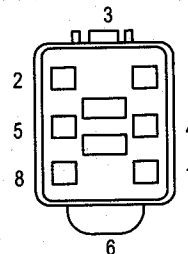
C128

CAV	CIRCUIT
1	B113 20RD/VT
2	B114 20WT/VT
3	Z13 12BK
4	-
5	-
6	B40 12LB
7	K4 20BK/LB
8	K226 20DB/WT



C129

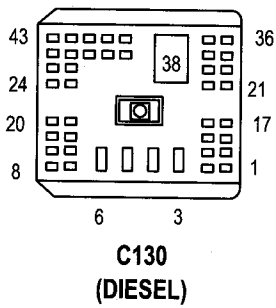
CAV	CIRCUIT
1	L7 16BK/YL
2	L50 18WT/TN
3	L76 12BK/OR
4	L63 16DG/RD
5	L1 18VT/BK
6	A6 12RD/OR
7	L62 16BR/RD
8	A61 16DG/BK •



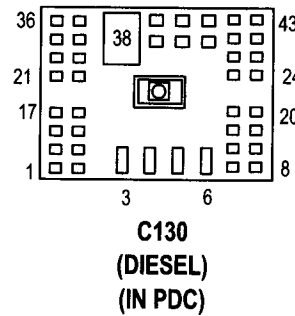
C129

CAV	CIRCUIT
1	L7 16BK/YL
2	L50 18WT/TN
3	L76 12BK/OR
4	L63 16DG/RD
5	L1 18VT/BK
6	A6 12RD/OR
7	L62 16BR/RD
8	A61 16DG/BK

• GAS

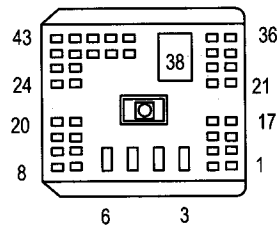


CAV	CIRCUIT
1	V35 18LG/RD
2	V3218YL/RD
3	A14 14RD/WT
4	A142 14DG/OR
5	A40 14RD/LG
6	A93 12RD/BK
7	K118 18PK/YL
8	L1 18VT/BK
9	K131 18BR/WT
10	G85 18OR/BK
11	V40 18WT/PK
12	L10 18BR/LG
13	D1 18VT/BR
14	K51 18DB/YL
15	C13 18DB/OR
16	D20 18DG
17	D2 18WT/BK
18	K4 20BK/LB •• K4 18BK/LB •
19	C90 18LG/WT
20	D21 18PK/DB
21	C3 18DB/BK
22	V37 18RD/LG
23	K226 18DB/WT
24	V36 18TN/RD
25	-
26	T41 20BK/WT ••
26	Z12 18BK/TN •
27	-
28	F18 18LG/BK
29	K30 18PK ••
30	-
31	T16 18RD
32	D220 18WT/VT
33	G7 18WT/OR
34	T6 18OR/WT ••
35	T125 18DB
36	S21 18YL/BK
37	S22 18OR/BK
38	-
39	Z12 18BK/TN
40	Z12 18BK/TN •
40	V30 20DB/RD ••
41	V30 20DB/RD ••
42	-
43	Z12 18BK/TN



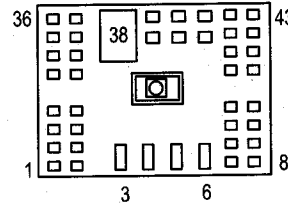
CAV	CIRCUIT
1	V35 20LG/RD
2	V32 20YL/RD
3	A14 16RD/WT
4	A142 14DG/OR
5	A40 14RD/LG
6	A93 12RD/BK
7	K118 20PK/YL
8	L1 18VT/BK
9	K131 20BR/WT
10	G85 22OR/BK
11	V40 22WT/PK
12	L10 18BR/LG
13	D1 20VT/BR
14	K51 20DB/YL
15	C13 22DB/OR
16	D20 20DG
17	D2 20WT/BK
18	K4 22BK/LB
19	C90 22LG/WT
20	D21 20PK/DB
21	C3 22DB/BK
22	V37 22RD/LG
23	K226 20DB/WT
24	V36 20TN/RD
25	-
26	T41 22BK/WT
27	-
28	F18 20LG/BK
29	K30 22PK
30	A243 20YL/VT
31	-
32	D220 20WT/VT
33	G7 20WT/OR
34	T6 22OR/WT
35	T125 18DB
36	S21 18YL/BK
37	S22 18OR/BK
38	-
39	Z12 18BK/TN
40	V30 20DB/RD
41	V30 20DB/RD
42	K52 18PK/WT
43	Z12 18BK/TN

• M/T
•• A/T



**C130
(GAS)**

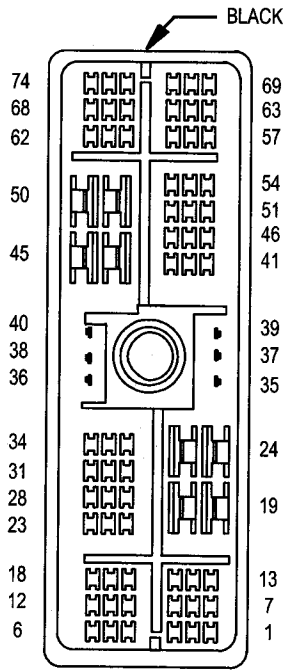
CAV	CIRCUIT
1	V35 18LG/RD
2	V32 18YL/RD
3	A14 16RD/WT
4	A142 14DG/OR
5	-
6	-
7	K118 18PK/YL
8	L1 18VT/BK
9	-
10	G85 18OR/BK ▲▲
11	V40 18WT/PK
12	L10 18BR/LG
13	D1 18VT/BR
14	K51 18DB/YL
15	C13 18DB/OR
16	D20 18DG
17	D2 18WT/BK
18	K4 20BK/LB
19	C90 18LG/WT
20	D21 18PK/DB
21	C3 18DB/BK
22	V37 18RD/LG
23	K226 18DB/WT
24	V36 18TN/RD
25	Z12 18BK/TN ■
26	T41 20BK/WT ●●
26	Z11 20BK/WT ●
27	K31 18BR/WT
28	F18 18LG/BK
29	K30 18PK ●●
30	A243 18YL/VT ▲
31	T16 18RD
32	-
33	G7 18WT/OR
34	T6 18OR/WT ●●
35	T125 18DB ●●
36	K106 18WT/DG
37	K107 18OR
38	-
39	Z12 18BK/TN
40	K143 18PK/VT
41	K145 18DG/PK
42	K52 18PK/WT
43	A141 20DG/WT ▼
43	A341 20DG/YL ▲



**C130
(GAS)
(IN PDC)**

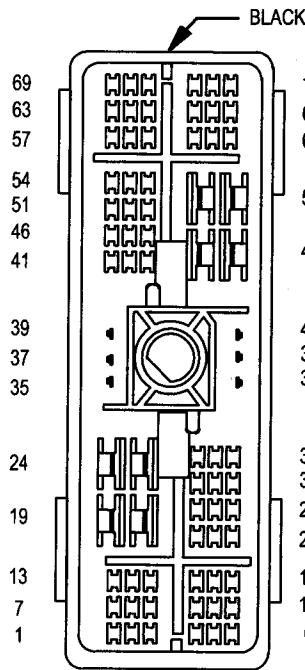
CAV	CIRCUIT
1	V35 20LG/RD
2	V32 20YL/RD
3	A14 16RD/WT
4	A142 14DG/OR
5	-
6	-
7	K118 20PK/YL
8	L1 18VT/BK
9	-
10	-
11	V40 22WT/PK
12	L10 18BR/LG
13	D1 20VT/BR
14	K51 20DB/YL
15	C13 22DB/OR
16	D20 20DG
17	D2 20WT/BK
18	K4 22BK/LB
19	C90 22LG/WT
20	D21 20PK/DB
21	C3 22DB/BK
22	V37 22RD/LG
23	K226 20DB/WT
24	V36 20TN/RD
25	-
26	T41 22BK/WT
27	K31 20BR/WT
28	F18 20LG/BK
29	K30 22PK ●●
30	A243 20YL/VT ▲
31	T16 22RD
32	-
33	G7 20WT/OR
34	T6 22OR/WT ●●
35	T125 18DB ●●
36	K106 18WT/DG
37	K107 18OR
38	-
39	Z12 18BK/TN
40	K143 20PK/VT
41	K145 20DG/PK
42	K52 18PK/WT
43	A141 20DG/WT ▼
43	A341 20DG/YL ▲

- M/T
- A/T
- ▲ CALIFORNIA
- 8.0L
- ▼ EXCEPT CALIFORNIA
- ▲▲ EXCEPT 8.0L



C134

CAV	CIRCUIT
1	-
2	-
3	D220 20WT/VT ●
4	-
5	L3 18RD/OR
6	-
7	-
8	Z12 18BK/TN
9	-
10	D2 20WT/BK
11	D1 20VT/BR
12	-
13	D20 20DG
14	D21 20PK/DB
15	-
16	D1 20VT/BR
17	D2 20WT/BK
18	-
19	L7 18BK/YL
20	A12 16RD/TN
21	T6 22OR/WT
22	L39 20LB ●●●
23	F15 22DB
24	-
25	F32 16PK/DB
26	K4 22BK/LB
27	L35 22BR/YL ■
27	L35 20BR/YL ■■
28	-
29	V37 22RD/LG
30	G11 20WT/LG
31	Z9 16BK/VT
32	X3 22BK/RD
33	-
34	Z5 18BK/DB
35	F33 16PK/RD
36	L4 18VT/WT
37	V4 16RD/YL
38	V49 16RD/BK
39	V3 16BR/WT
40	V5 16DG
41	Z2 16BK/LG
42	Z6 18BK/PK
43	C90 22LG/WT
44	A1 10RD
45	C1 12DG
46	-
47	G50 22RD/DB
48	V30 20DB/RD
49	-
50	A2 14PK/BK
51	A41 14YL
52	-
53	V32 20YL/RD



C134

CAV	CIRCUIT
1	-
2	-
3	D220 20WT/VT ●
4	-
5	L3 14RD/OR
6	-
7	-
8	Z12 18BK/TN
9	-
10	D2 20WT/BK
11	D1 20VT/BR
12	-
13	D20 20DG
14	D21 20PK/DB
15	-
16	D1 20VT/BR
17	D2 20WT/BK
18	-
19	L7 16BK/YL
20	A12 16RD/TN
21	T6 22OR/WT
22	L39 22LB ●●
23	F15 22DB
24	-
25	F32 16PK/DB
26	K4 22BK/LB
27	L35 22BR/YL
28	-
29	V37 22RD/LG
30	G11 22WT/LG
31	Z9 16BK/VT ●●
32	X3 20BK/RD
33	-
34	Z5 18BK/DB
35	F33 16PK/RD
36	L4 14VT/WT
37	V4 16RD/YL
38	V49 16RD/BK
39	V3 16BR/WT
40	V5 16DG
41	Z2 16BK/LG
42	Z6 18BK/PK
43	C90 22LG/WT
44	A1 10RD
45	C1 12DG
46	-
47	G50 22RD/DB
48	V30 22DB/RD
49	-
50	A2 14PK/BK
51	A41 14YL
52	-
53	V32 22YL/RD

CONTINUED

■ DRL
 ■■ EXCEPT DRL

●●● HIGHLINE
 ●● EXCEPT BASE/SLT
 ● DIESEL

CONTINUED

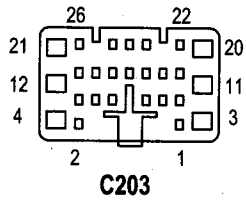
C134

CAV	CIRCUIT
54	-
55	V18 22YL/DG
56	V40 22WT/PK
57	L62 16BR/RD
58	G85 22OR/BK •
59	G107 20GY
60	T18 22LG/OR
61	G29 18BK/WT
62	G34 20RD/GY
63	L63 16DG/RD
64	L50 18WT/TN
65	F12 20DB/WT
66	L10 18BR/LG
67	Z3 18BK/OR
68	V10 16BR
69	-
70	-
71	-
72	-
73	-
74	-

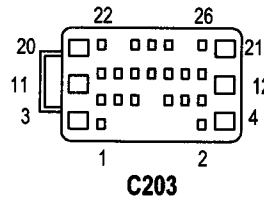
C134

CAV	CIRCUIT
54	-
55	V18 22YL/DG
56	V40 22WT/PK
57	L62 16BR/RD
58	G85 22OR/BK •
59	G107 22GY
60	T18 22LG/OR
61	G29 22BK/WT
62	G34 16RD/GY
63	L63 16DG/RD
64	L50 18WT/TN
65	F12 22DB/WT
66	L10 18BR/LG
67	Z3 18BK/OR
68	V10 16BR
69	-
70	-
71	-
72	-
73	-
74	-

• DIESEL

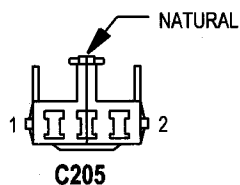


CAV	CIRCUIT
1	X58 18DB/OR
2	X57 18BR/LB
3	F37 16RD/LB
4	F21 14TN
5	M1 22PK
6	X51 18BR/YL
7	X52 18DB/WT
8	M2 22YL
9	G10 22LG/RD
10	M22 22WT ▼▼
10	P30 22OR/RD ■
11	L50 18WT/TN
12	X13 16BK/RD ▼
13	M3 22PK/DB
14	C16 22LB/YL
15	G16 22BK/LB ▼▼▼
16	P33 22OR/BK ■
17	G73 22LG/OR
18	G75 22TN ▼▼▼
19	F35 18RD
20	Z9 16BK/VT ■■
21	X54 18VT
22	X56 18DB/RD
23	X53 18DG
24	X55 18BR/RD
25	P31 22PK/DG ■
26	P34 22PK/BK ■

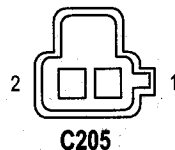


CAV	CIRCUIT
1	X58 18DB/OR
2	X57 18BR/LB
3	F37 16RD/LB
4	F21 14TN ○○
5	M1 20PK
6	X51 18BR/YL
7	X52 18DB/WT
8	M2 20YL
9	G10 20LG/RD
10	M22 20WT ▼▼
10	P30 22OR/DG ■
11	L50 18WT/TN
12	X13 16BK/RD ▼
13	M3 20PK/DB
14	C16 20LB/YL
15	G16 18BK/LB ■
16	P33 20OR/BK ■○○
17	G73 20LG/OR ■
18	G75 18TN
19	F35 18RD ○○
20	Z9 16BK/VT ▼
21	X54 18VT
22	X56 18DB/RD
23	X53 18DG
24	X55 18BR/RD
25	P31 22PK/DG ■
26	P34 20PK/BK ■○○

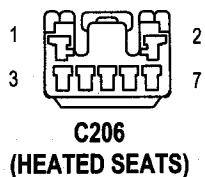
- POWER LOCK/ WINDOW
- CTM
- EXCEPT BASE/LOWLINE (CTM)
- ▼ PREMIUM RADIO
- ▼▼ IEM
- ▼▼▼ EXCEPT MIDLINE/BASE



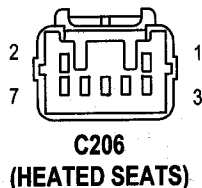
CAV	CIRCUIT
1	E2 22OR
2	Z3 22BK/OR



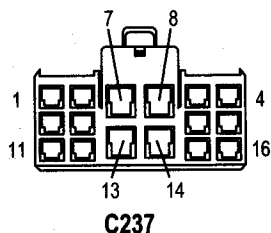
CAV	CIRCUIT
1	E2 22OR
2	Z3 20BK/OR



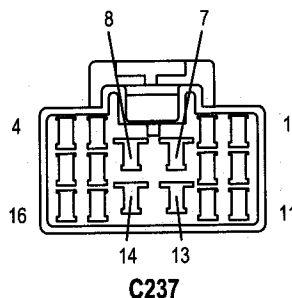
CAV	CIRCUIT
1	P7 20LB/BK
2	P137 20DG
3	P8 20LB/WT
4	F235 16RD
5	P139 20WT
6	P138 20VT/LG
7	P140 20VT/BK



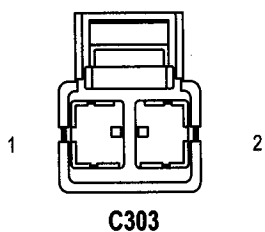
CAV	CIRCUIT
1	P7 20LB/BK
2	P137 20DG
3	P8 20LB/WT
4	F235 16RD
5	P139 20WT
6	P138 20VT/LG
7	P140 20VT/BK



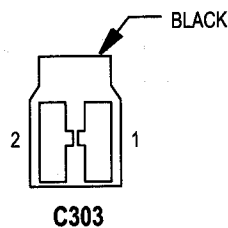
CAV	CIRCUIT
1	C5 16LG
2	Z2 22BK/LG
3	-
4	-
5	-
6	C82 22YL/OR
7	-
8	C7 12BK/TN
9	-
10	-
11	C4 16TN
12	F15 22DB
13	-
14	C6 14LB



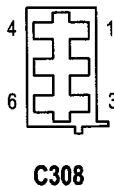
CAV	CIRCUIT
1	C5 16LG
2	Z2 20BK/LG
3	-
4	-
5	-
6	C82 20YL/OR
7	-
8	C7 12BK/TN
9	-
10	-
11	C4 16TN
12	F15 20DB
13	-
14	C6 14LB



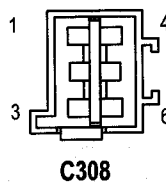
CAV	CIRCUIT
1	Z2 16BK/LG
2	F37 16RD/LB



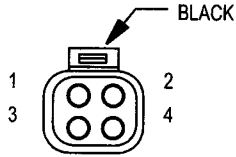
CAV	CIRCUIT
1	Z3 14BK/OR
2	F37 14RD/LB



CAV	CIRCUIT
1	L50 18WT/TN
2	Z2 20BK/LG
3	M1 20PK
4	M3 20PK/DB
5	-
6	-

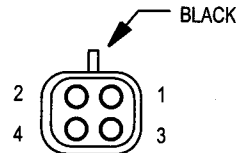


CAV	CIRCUIT
1	L50 18WT/TN
1	L50 18WT/TN
2	Z3 18BK/OR
2	Z3 18BK/OR
3	M1 18PK
3	M1 18PK
4	M3 18PK/DB
4	M3 18PK/DB
5	-
6	-



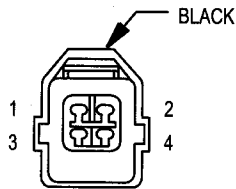
**C329
(CLUB CAB)**

CAV	CIRCUIT
1	L7 16BK/YL
2	Z13 16BK
3	L62 16BR/RD
4	L1 18VT/BK



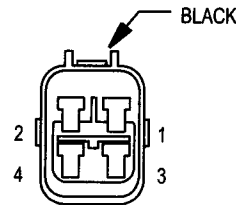
**C329
(CLUB CAB)**

CAV	CIRCUIT
1	L7 18BK/YL
2	Z13 16BK
3	L62 18DG/BR
4	L1 18VT/BK



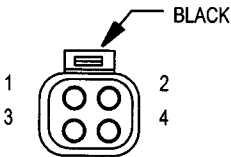
**C329
(STANDARD CAB)**

CAV	CIRCUIT
1	L7 18BK/YL
2	Z13 16BK
3	L62 18DG/BR
4	L1 18VT/BK



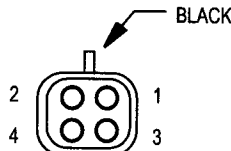
**C329
(STANDARD CAB)**

CAV	CIRCUIT
1	L7 16BK/YL
2	Z13 16BK
3	L62 16BR/RD
4	L1 18VT/BK



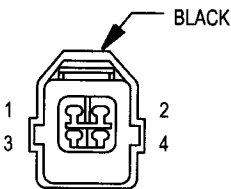
**C333
(CLUB CAB)**

CAV	CIRCUIT
1	L7 16BK/YL
2	Z13 16BK
3	L63 16BR/RD
4	L1 18VT/BK



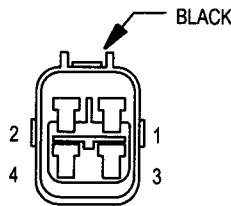
**C333
(CLUB CAB)**

CAV	CIRCUIT
1	L7 18BK/YL
2	Z13 16BK
3	L63 18DG/BR
4	L1 18VT/BK



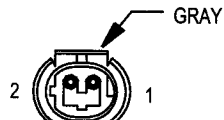
**C333
(STANDARD CAB)**

CAV	CIRCUIT
1	L7 18BK/YL
2	Z13 16BK
3	L63 18DG/BR
4	L1 18VT/BK



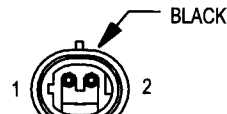
**C333
(STANDARD CAB)**

CAV	CIRCUIT
1	L7 16BK/YL
2	Z13 16BK
3	L63 16BR/RD
4	L1 18VT/BK



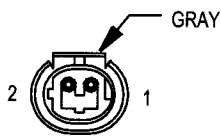
C342

CAV	CIRCUIT
1	Z13 18BK
2	L7 18BK/YL



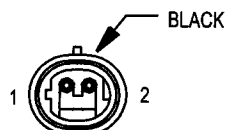
C342

CAV	CIRCUIT
1	Z13 18BK
2	L7 16BK/YL



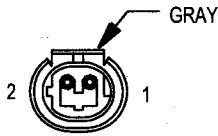
C343

CAV	CIRCUIT
1	Z13 18BK
2	L7 18BK/YL



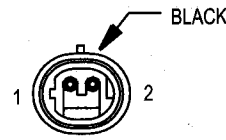
C343

CAV	CIRCUIT
1	Z13 18BK
2	L7 16BK/YL



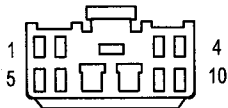
C344
(DUAL REAR WHEELS)

CAV	CIRCUIT
1	Z13 18BK
2	L7 18BK/YL



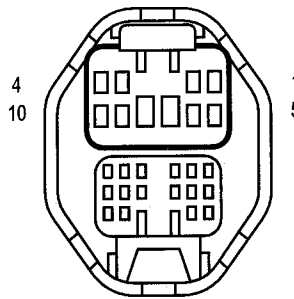
C344
(DUAL REAR WHEELS)

CAV	CIRCUIT
1	Z13 18BK
2	L7 16BK/YL



C345

CAV	CIRCUIT
1	C16 20LB/YL
2	P70 22WT
3	P72 22 YL/BK
4	X54 18VT
5	X56 18DB/RD
6	P74 22DB
7	F21 14TN ■■
8	Z2 14BK/LG
9	Z9 16BK/VT ▼
10	P31 22PK/DG ●●●
10	P34 18PK/BK ●●



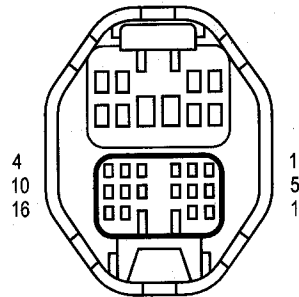
C345

CAV	CIRCUIT
1	C16 20LB/YL ■
2	P70 20WT ■
3	P72 20YL/BK ■
4	X54 18VT ▼
4	X54 20VT ▼▼
5	X56 18DB/RD ▼
5	X56 20DB/RD ▼▼
6	P74 20DB ■
7	F21 14TN ■
8	Z2 14BK/LG ■
8	Z2 20BK/LG ●
9	Z9 16BK/VT ▼
10	P31 18PK/DG ■■



C346

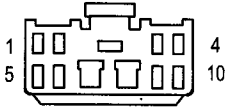
CAV	CIRCUIT
1	F35 18RD ■■
2	Q16 14BR/WT
3	Q26 14VT/WT
4	P33 18OR/BK ■■
5	X82 20LB/RD
6	P35 18OR/VT
7	P36 18PK/VT
8	G73 20LG/OR ●●●
9	P30 22OR/DG ●●●
9	P33 18OR/BK ●●
10	P34 18PK/BK ■■
11	X13 16BK/RD ▼
12	X80 20LB/BK
13	X52 18DB/WT ▼
14	X58 18DB/OR ▼
15	X92 18TN/BK ▼
16	X94 18TN/VT ▼



C346

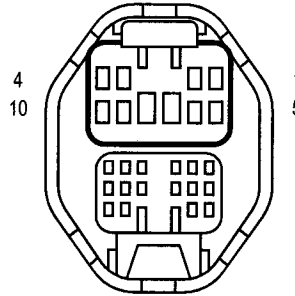
CAV	CIRCUIT
1	F35 18RD
2	Q16 14BR/WT
3	Q26 14VT/WT
4	P33 18OR/BK
5	X82 20LB/RD
6	P35 18OR/VT
7	P36 18PK/VT
8	G73 20LG/OR
9	P30 18OR/DG
10	P34 18PK/BK
11	X13 16BK/RD ▼
12	X80 20LB/BK
13	X52 18DB/WT ▼
14	X58 18DB/OR ▼
15	X92 18TN/BK ▼
16	X94 18TN/VT ▼

- ▼ PREMIUM RADIO
- ▼▼ STANDARD RADIO
- MIDLINE
- IEM, POWER LOCKS/ WINDOWS
- CTM
- SLT
- POWER LOCKS/ WINDOWS



C347

CAV	CIRCUIT
1	C16 20LB/YL
2	P70 22WT
3	P72 22YL/BK
4	X53 18DG
5	X55 18BR/RD
6	P74 22DB
7	F21 14TN ■ ■
8	Z2 14BK/LG
9	M1 20PK
10	Z9 16BK/VT ▼



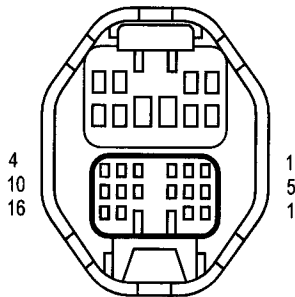
C347

CAV	CIRCUIT
1	C16 20LB/YL
2	P70 22WT
3	P72 22YL/BK
4	X53 18DG ▼
4	X53 20DG ▼▼
5	X55 18BR/RD ▼
5	X55 20BR/RD ▼▼
6	P74 22DB
7	F21 14TN ■
8	Z2 14BK/LG ■
9	M1 22PK
10	Z9 16BK/VT ▼



C348

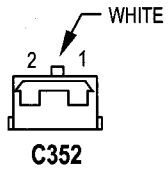
CAV	CIRCUIT
1	F35 20RD ■ ■
2	Q16 14BR/WT
3	Q26 14VT/WT
4	P33 20OR/BK ■ ■
5	X83 20YL/RD
6	P35 18OR/VT
7	P36 18PK/VT
8	G73 20LG/OR ●
9	Z2 18BK/LG ● ●
10	P34 20PK/BK ■ ■
11	X13 16BK/RD ▼
12	X81 20YL/BK
13	X51 18BR/YL ▼
14	X57 18BR/LB ▼
15	X91 18WT/DG ▼
16	X93 18WT/VT ▼



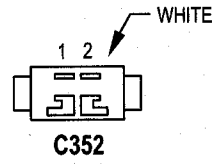
C348

CAV	CIRCUIT
1	F35 18RD
2	Q16 14BR/WT
3	Q26 14VT/WT
4	P33 20OR/BK
5	X83 20YL/RD
6	P35 18OR/VT
7	P36 18PK/VT
8	G73 20LG/OR
9	Z2 18BK/LG ■
10	P34 20PK/BK
11	X13 16BK/RD ▼
12	X81 20YL/BK
13	X51 18BR/YL ▼
14	X57 18BR/LB ▼
15	X91 18WT/DG ▼
16	X93 18WT/VT ▼

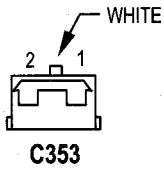
- EXCEPT BASE
- ■ POWER LOCKS/ WINDOWS
- ▼ PREMIUM RADIO
- ▼▼ STANDARD RADIO
- CTM
- ● IEM



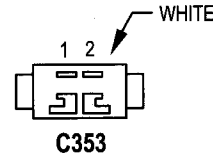
CAV	CIRCUIT
1	M1 20PK
2	Z4 20BK



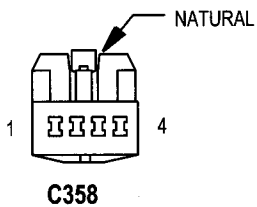
CAV	CIRCUIT
1	M1 20PK
2	Z3 20BK



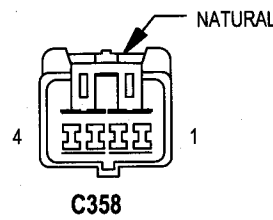
CAV	CIRCUIT
1	M1 20PK
2	Z4 20BK



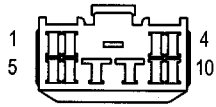
CAV	CIRCUIT
1	M1 20PK
2	Z3 20BK



CAV	CIRCUIT
1	G69 22BK
2	-
3	D1 20VT/BR
4	D2 20WT/BK

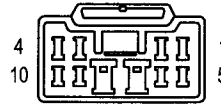


CAV	CIRCUIT
1	G69 22BK
2	-
3	D1 20VT/BR
4	D2 20WT/BK



**C359
(HEATED SEAT)**

CAV	CIRCUIT
1	P7 20LB/BK
2	P137 20DG
3	P8 20LB/WT
4	F235 16RD
5	P139 20WT
6	P138 20VT/LG
7	Z2 16BK/LG
8	F37 16RD/LB
9	G10 20LG/RD
10	P140 20VT/BK



**C359
(HEATED SEAT)**

CAV	CIRCUIT
1	P7 20LB/BK
2	P137 20DG
3	P8 20LB/WT
4	F235 16RD
5	P139 20WT
6	P138 20VT/LG
7	Z2 16BK/LG
8	F37 16RD/LB
9	G10 22LG/RD
10	P140 20VT/BK



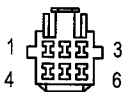
**C360
(CLUB CAB)**

CAV	CIRCUIT
1	Z2 16BK/LG
2	F37 16RD/LB ●●
3	G10 20LG/RD
4	-



**C360
(CLUB CAB)**

CAV	CIRCUIT
1	Z2 20BK/LG ■
1	Z2 16BK/LG ●●
2	F37 16RD/LB ●●
3	G10 20LG/RD ▲
4	-



C361

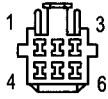
CAV	CIRCUIT
1	-
2	X57 18BR/LB ▲▲
2	X91 18WT/DG ●
3	X51 18BR/YL ▲▲
3	X93 18WT/VT ●
4	-
5	-
6	-



C361

CAV	CIRCUIT
1	-
2	X57 18BR/LB
3	X51 18BR/YL
4	-
5	-
6	-

- PREMIUM RADIO
- POWER SEAT
- ▲ NON-HEATED SEAT
- ▲▲ STANDARD RADIO
- MANUAL SEAT



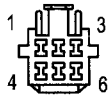
C364

CAV	CIRCUIT
1	-
2	X58 18DB/OR ▼
2	X92 18TN/BK ●
3	X52 18DB/WT ▼
3	X94 18TN/VT ●
4	-
5	-
6	-



C364

CAV	CIRCUIT
1	-
2	X57 18BR/LB
3	X51 18BR/YL
4	-
5	-
6	-



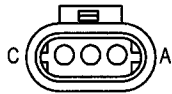
C365
(HEATED SEAT)

CAV	CIRCUIT
1	Z2 16BK/LG
2	P130 16TN
3	F37 16RD/LB
4	P142 22DB
5	P144 20BK/WT
6	-



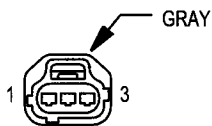
C365
(HEATED SEAT)

CAV	CIRCUIT
1	Z2 16BK/LG
2	P130 16TN
3	F37 16RD/LB
4	P142 20DB
5	P144 20BK/WT
6	-



CAMSHAFT
POSITION
SENSOR
(DIESEL)

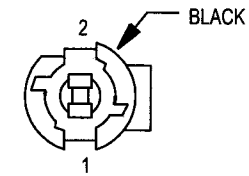
CAV	CIRCUIT	FUNCTION
A	K7 18OR	5V SUPPLY
B	K104 18BK/LB	B (+)
C	K46 18TN/YL	CAMSHAFT POSITION SENSOR SIGNAL



CAMSHAFT
POSITION
SENSOR
(GAS)

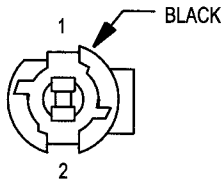
CAV	CIRCUIT	FUNCTION
1	K44 18TN/YL	CAMSHAFT POSITION SENSOR SIGNAL
2	K4 20BK/LB	SENSOR GROUND
3	K6 20VT/WT	5V SUPPLY

- PREMIUM RADIO
- ▼ STANDARD RADIO



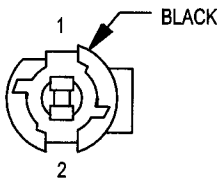
**CARGO LAMP
NO. 1**

CAV	CIRCUIT	FUNCTION
1	M1 18PK	FUSED B(+)
2	M3 18PK/DB	CARGO LAMP DRIVER



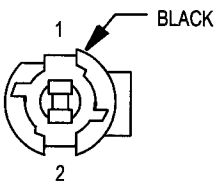
**CARGO LAMP
NO. 2**

CAV	CIRCUIT	FUNCTION
1	M1 18PK	FUSED B(+)
2	M3 18PK/DB	CARGO LAMP DRIVER



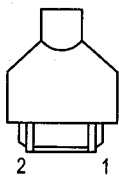
**CENTER HIGH
MOUNTED STOP
LAMP NO. 1**

CAV	CIRCUIT	FUNCTION
1	L50 18WT/TN	BRAKE LAMP SWITCH OUTPUT
2	Z3 18BK/OR	GROUND



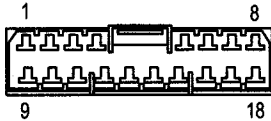
**CENTER HIGH
MOUNTED STOP
LAMP NO. 2**

CAV	CIRCUIT	FUNCTION
1	L50 18WT/TN	BRAKE LAMP SWITCH OUTPUT
2	Z3 18BK/OR	GROUND



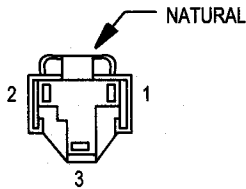
**CENTER
IDENTIFICATION
LAMP**

CAV	CIRCUIT	FUNCTION
1	L7 18BK/YL	HEADLAMP SWITCH OUTPUT
2	Z4 18BK	GROUND



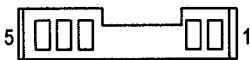
**CENTRAL TIMER
MODULE**

CAV	CIRCUIT	FUNCTION
1	P33 22OR/BK	DOOR LOCK DRIVER
2	M11 22PK/LB	COURTESY LAMP SWITCH OUTPUT
3	Z3 18BK/OR	GROUND
4	P30 22OR/DG	POWER DOOR LOCK MOTOR B (+) LOCK
5	F12 22DB/WT	FUSED IGNITION SWITCH OUTPUT (ST-RUN)
6	G50 22RD/DB	SECURITY RELAY CONTROL
7	P132 16OR/BK	HEATED SEAT RELAY CONTROL
8	G69 22BK	VTSS INDICATOR DRIVER
9	P34 22PK/BK	DOOR UNLOCK DRIVER
10	G73 22LG/OR	CYLINDER LOCK SWITCH MUX
11	M22 22WT	ILLUMINATED ENTRY SWITCH SENSE
12	-	-
13	P31 22PK/DG	POWER DOOR LOCK MOTOR B(+) UNLOCK
14	X20 22RD/BK	RADIO CONTROL MUX
15	-	-
16	D1 20VT/BR	CCD BUS (+)
17	D2 20WT/BK	CCD BUS (-)
18	X3 20BK/RD	HORN RELAY CONTROL



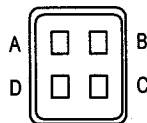
**CIGAR
LIGHTER**

CAV	CIRCUIT	FUNCTION
1	F30 18RD/OR	FUSED IGNITION SWITCH OUTPUT (RUN - ACC)
2	-	-
3	Z3 18BK/OR	GROUND



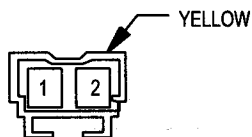
**CLOCKSPRING
NO. 1**

CAV	CIRCUIT	FUNCTION
1	V37 22RD/LG	SPEED CONTROL SWITCH SIGNAL
2	Z9 20BK/VT	■ GROUND
3	K4 22BK/LB	SENSOR GROUND
4	X20 22RD/BK	● RADIO CONTROL MUX
5	X3 20BK/RD	HORN RELAY CONTROL



**CLOCKSPRING
NO. 2**

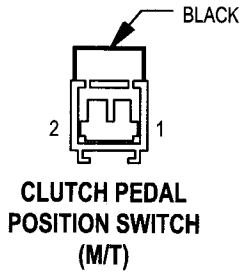
CAV	CIRCUIT	FUNCTION
A	V37 22DG/RD	SPEED CONTROL SWITCH SIGNAL
B	Z2 22BK/LG	GROUND
C	K4 22WT	SENSOR GROUND
D	X20 22RD/BK	RADIO CONTROL MUX



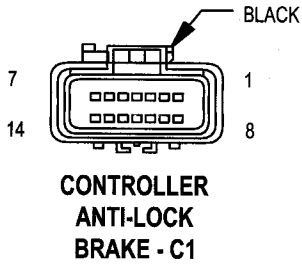
**CLOCKSPRING
NO. 3**

CAV	CIRCUIT	FUNCTION
1	R43 18BK/LB	DRIVER AIRBAG LINE 2
2	R45 18DG/LB	DRIVER AIRBAG LINE 1

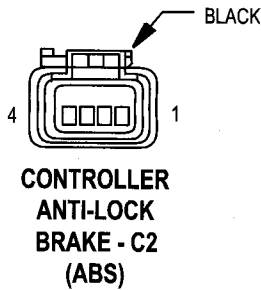
- EXCEPT CTM
- SLT/HIGHLINE (REMOTE RADIO)



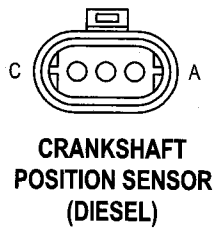
CAV	CIRCUIT	FUNCTION
1	T141 14YL/RD	FUSED IGNITION SWITCH OUPUT (ST)
2	A41 14YL	FUSED IGNITION SWITCH OUTPUT (ST)



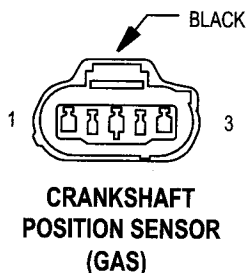
CAV	CIRCUIT	FUNCTION
1	B113 20RD/VT	REAR WHEEL SPEED SENSOR (+)
2	G107 20GY	4WD SWITCH SENSE
3	D1 20VT/BR	CCD BUS (+)
4	A20 20RD/DB	FUSED IGNITION SWITCH OUTPUT (RUN)
5	-	-
6	Z8 14BK/VT	GROUND
7	A10 14RD/DG	FUSED B(+)
8	B114 20WT/VT	REAR WHEEL SPEED SENSOR (-)
9	V40 20WT/PK	BRAKE SWITCH SENSE
10	D2 20WT/BK	CCD BUS (-)
11	G9 20GY/BK	RED BRAKE WARNING INDICATOR DRIVER
12	G7 20WT/OR	VEHICLE SPEED SENSOR SIGNAL
13	Z8 14BK/VT	GROUND
14	A10 14RD/DG	FUSED B(+)



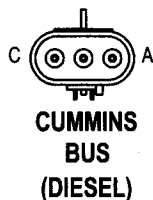
CAV	CIRCUIT	FUNCTION
1	B9 20RD	LEFT FRONT WHEEL SPEED SENSOR (+)
2	B8 20RD/GY	LEFT FRONT WHEEL SPEED SENSOR (-)
3	B6 20WT/DB	RIGHT FRONT WHEEL SPEED SENSOR (-)
4	B7 20WT	RIGHT FRONT WHEEL SPEED SENSOR (+)



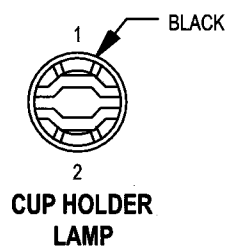
CAV	CIRCUIT	FUNCTION
A	K6 18VT/WT	5V SUPPLY
B	K14 18BK/DB	SENSOR GROUND
C	K124 18GY	CRANKSHAFT POSITION SENSOR SIGNAL



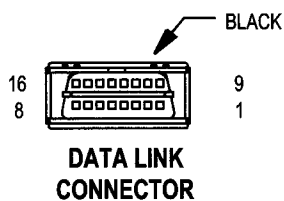
CAV	CIRCUIT	FUNCTION
1	K24 18GY/BK	CRANKSHAFT POSITION SENSOR SIGNAL
2	K4 20BK/LB	SENSOR GROUND
3	K6 20VT/WT	5V SUPPLY



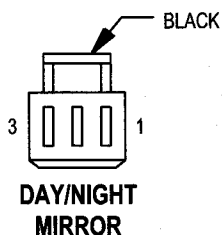
CAV	CIRCUIT	FUNCTION
A	K244 20YL/DB	CUMMINS BUS (+)
B	K246 20YL/DG	CUMMINS BUS (-)
C	Z11 14BK/WT	GROUND



CAV	CIRCUIT	FUNCTION
1	E2 22OR	PANEL LAMPS FEED
2	Z3 22BK/OR	GROUND

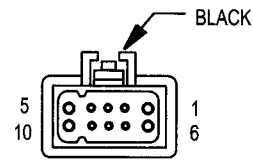


CAV	CIRCUIT	FUNCTION
1	-	-
2	-	-
3	D1 18VT/BR	CCD BUS (+)
4	Z2 20BK/LG	GROUND
5	Z12 18BK/TN	GROUND
6	D20 20DG	SCI RECIEVE
7	D21 20PK/DB	SCI TRANSMIT
8	-	-
9	-	-
10	-	-
11	D2 18WT/BK	CCD BUS (-)
12	-	-
13	-	-
14	D220 20WT/VT •	SCI RECIEVE (PCM, DSL)
15	-	-
16	M1 20PK	FUSED B(+)



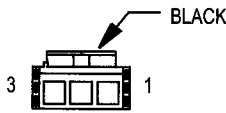
CAV	CIRCUIT	FUNCTION
1	F12 20DB/WT	FUSED IGNITION SWITCH OUTPUT (ST-RUN)
2	Z3 20BK	GROUND
3	L1 20VT/BK	BACK-UP LAMP FEED

• DIESEL



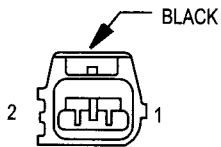
DAYTIME RUNNING LAMP MODULE

CAV	CIRCUIT	FUNCTION
1	Z1 18BK	GROUND
2	L10 18BR/LG	FUSED IGNITION SWITCH OUTPUT (RUN)
3	G34 20RD/GY	HIGH BEAM INDICATOR DRIVER
4	G11 20WT/LG	PARK BRAKE SWITCH SENSE
5	-	-
6	L3 18RD/OR	DIMMER SWITCH HIGH BEAM OUTPUT
7	Z1 18BK	GROUND
8	L34 20RD/OR	FUSED B(+)
9	L139 20VT	FOG LAMP RELAY CONTROL
10	L4 18VT/WT	DIMMER SWITCH LOW BEAM OUTPUT



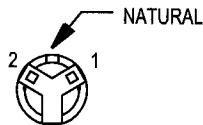
DOMELAMP

CAV	CIRCUIT	FUNCTION
1	-	-
2	M2 20YL	COURTESY LAMP DRIVER
3	M1 20PK	FUSED B (+)



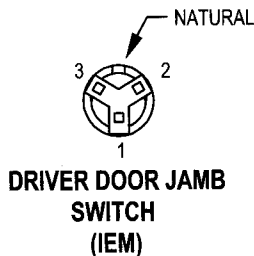
DRIVER CYLINDER LOCK SWITCH

CAV	CIRCUIT	FUNCTION
1	Z2 20BK/LG	GROUND
2	G73 20LG/OR	DOOR KEY CYLINDER SWITCH SENSE

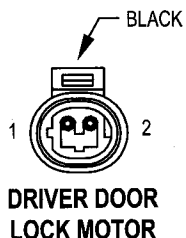


DRIVER DOOR JAMB SWITCH (CTM)

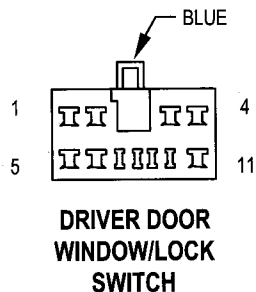
CAV	CIRCUIT	FUNCTION
1	Z2 18BK/LG	GROUND
2	G75 18TN	DRIVER DOOR AJAR SWITCH SENSE



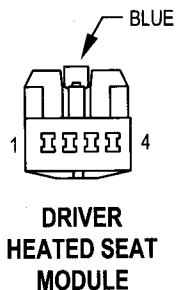
CAV	CIRCUIT	FUNCTION
1	Z2 18BK/LG	GROUND
2	G75 18TN	DRIVER DOOR JAMB SWITCH SENSE
3	M22 18WT	ILLUMINATED ENTRY SWITCH SENSE



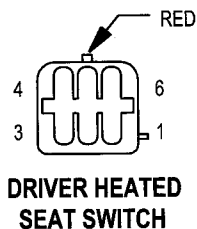
CAV	CIRCUIT	FUNCTION
1	P34 20PK/BK	DOOR UNLOCK DRIVER
2	P33 20OR/BK	DOOR LOCK DRIVER



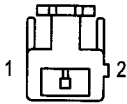
CAV	CIRCUIT	FUNCTION
1	Q16 14BR/WT	MASTER WINDOW SWITCH RIGHT FRONT UP
2	Q26 14VT/WT	MASTER WINDOW SWITCH RIGHT FRONT DOWN
3	Z2 14BK/LG	GROUND
4	Q21 16WT	LEFT FRONT WINDOW DRIVER (DOWN)
5	F21 14TN	FUSED IGNITION SWITCH OUTPUT (RUN)
6	Q11 16LB	LEFT WINDOW DRIVER (UP)
7	P36 18PK/VT	DOOR UNLOCK SWITCH CONTROL
8	P35 18OR/VT	DOOR LOCK SWITCH CONTROL
9	Z2 18BK/LG	GROUND
10	F35 18RD	FUSED B(+)



CAV	CIRCUIT	FUNCTION
1	P131 16RD/DG	LEFT SEAT HEATER B(+) DRIVER
2	Z2 18BK/LG	GROUND
3	P144 20BK/WT	LEFT SEAT TEMPERATURE 5V SUPPLY
4	P141 20TN/LB	LEFT SEAT TEMPERATURE SENSOR INPUT

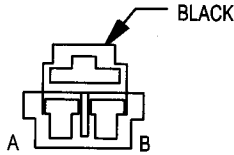


CAV	CIRCUIT	FUNCTION
1	P137 20DG	LEFT SEAT HEAT LOW LED DRIVER
2	E2 22OR	PANEL LAMPS DRIVER
3	Z3 20BK/OR	GROUND
4	F15 20DB	FUSED IGNITION SWITCH OUTPUT
5	P139 20WT	LEFT SEAT HIGH HEAT LED DRIVER
6	P7 20LB/BK	DRIVER HEATED SEAT SWITCH



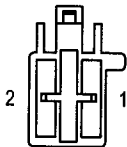
**DRIVER
LUMBAR MOTOR**

CAV	CIRCUIT	FUNCTION
1	P106 16DG/WT	LUMBAR MOTOR FORWARD
2	P107 16OR/BK	LUMBAR MOTOR REARWARD



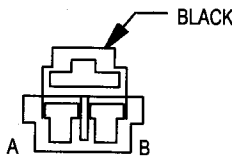
**DRIVER POWER
SEAT FRONT
VERTICAL MOTOR
(CLUB CAB)**

CAV	CIRCUIT	FUNCTION
A	P21 16RD/LG	LEFT POWER SEAT FRONT DOWN
B	P19 16YL/LG	LEFT POWER SEAT FRONT UP



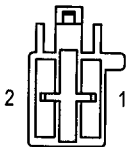
**DRIVER POWER
SEAT FRONT
VERTICAL MOTOR
(STANDARD CAB)**

CAV	CIRCUIT	FUNCTION
1	P19 14YL/LG	LEFT POWER SEAT FRONT
2	P21 14RD/LG	LEFT POWER SEAT FRONT DOWN



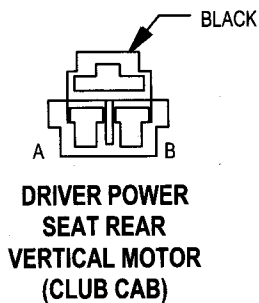
**DRIVER POWER
SEAT HORIZONTAL
MOTOR
(CLUB CAB)**

CAV	CIRCUIT	FUNCTION
A	P17 16RD/LB	LEFT POWER SEAT HORIZONTAL REARWARD
B	P15 16YL/LB	LEFT POWER SEAT HORIZONTAL FORWARD

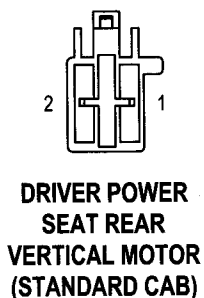


**DRIVER POWER
SEAT HORIZONTAL
MOTOR
(STANDARD CAB)**

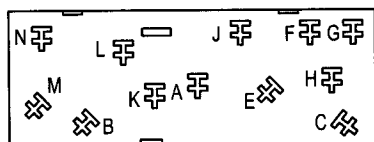
CAV	CIRCUIT	FUNCTION
1	P17 14DB/RD	LEFT POWER SEAT HORIZONTAL REARWARD
2	P15 14YL/LB	LEFT POWER SEAT HORIZONTAL FORWARD



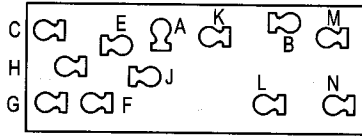
CAV	CIRCUIT	FUNCTION
A	P11 16YL/WT	LEFT POWER SEAT REAR UP
B	P13 16RD/WT	LEFT POWER SEAT REAR DOWN



CAV	CIRCUIT	FUNCTION
1	P11 14YL/WT	LEFT POWER SEAT REAR UP
2	P13 14RD/WT	LEFT POWER SEAT REAR DOWN

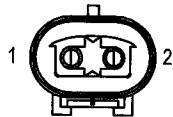


CAV	CIRCUIT	FUNCTION
A	F37 16RD/LB	FUSED B(+)
B	Z2 16BK/LG	GROUND
C	P106 16DG/WT	LUMBAR MOTOR FORWARD
D	-	-
E	P13 16RD/WT	LEFT POWER SEAT REAR DOWN
F	P107 16OR/BK	LUMBAR MOTOR REARWARD
G	Z2 16BK/LG	GROUND
H	F37 16RD/LB	FUSED B(+)
I	-	-
J	P11 16YL/WT	LEFT POWER SEAT REAR UP
K	P17 16RD/LB	LEFT POWER SEAT HORIZONTAL REARWARD
L	P15 16YL/LB	LEFT POWER SEAT HORIZONTAL FORWARD
M	P21 16RD/LG	LEFT POWER SEAT FRONT DOWN
N	P19 16YL/LG	LEFT POWER SEAT FRONT UP



DRIVER POWER SEAT SWITCH (STANDARD CAB)

CAV	CIRCUIT	FUNCTION
A	F37 14RD/LB	FUSED B(+)
B	Z3 14BK/OR	GROUND
C	-	-
D	-	-
E	P11 14YL/WT	LEFT POWER SEAT REAR UP
F	-	-
G	-	-
H	-	-
I	-	-
J	P13 14RD/WT	LEFT POWER SEAT REAR DOWN
K	P17 14DB/RD	LEFT POWER SEAT HORIZONTAL REARWARD
L	P15 14YL/LB	LEFT POWER SEAT HORIZONTAL FORWARD
M	P19 14YL/LG	LEFT POWER SEAT FRONT UP
N	P21 14RD/LG	LEFT POWER SEAT FRONT DOWN



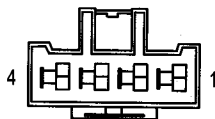
DRIVER POWER WINDOW MOTOR

CAV	CIRCUIT	FUNCTION
1	Q11 16LB	LEFT WINDOW DRIVER (UP)
2	Q21 16WT	LEFT FRONT WINDOW DRIVER (DOWN)



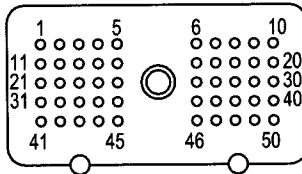
DUTY CYCLE EVAP/PURGE SOLENOID

CAV	CIRCUIT	FUNCTION
1	K52 18PK/WT	EVAPORATIVE EMISSION SOLENOID CONTROL
2	F12 20DB/WT	FUSED IGNITION SWITCH OUTPUT (ST-RUN)



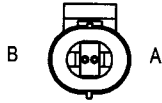
ELECTRIC BRAKE PROVISION

CAV	CIRCUIT	FUNCTION
1	A6 12RD/OR	FUSED B(+)
2	B40 12LB	TRAILER TOW BRAKE B(+)
3	L50 18WT/TN	BRAKE LAMP SWITCH OUTPUT
4	Z3 18BK/OR	GROUND



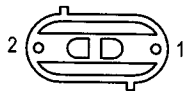
**ENGINE CONTROL
MODULE
(DIESEL)**

CAV	CIRCUIT	FUNCTION
1	H104 18BR/OR	IDLE VALIDATION SWITCH NO. 1
2	K244 20YL/DB	CUMMINS BUS(+)
3	K6 18VT/WT	5V SUPPLY
4	K14 18BK/DB	SENSOR GROUND
5	F18 18LG/BK	FUSED IGNITION SWITCH OUTPUT (ST-RUN)
6	G60 18GY/BK	ENGINE OIL PRESSURE SENSOR SIGNAL
7	K21 18BK/RD	INTAKE AIR TEMPERATURE SENSOR SIGNAL
8	G12 18GY/RD	MANIFOLD ABSOLUTE SRESSURE SENSOR SIGNAL
9	K46 18TN/YL	CAMSHAFT POSITION SENSOR SIGNAL
10	K7 18OR	5V SUPPLY
11	K104 18BK/LB	B (+)
12	K246 20YL/DG	CUMMINS BUS (-)
13	K242 20WT	DATA LINK (+) FUEL INJECTION PUMP
14	K2 18TN/BK	ENGINE COOLANT TEMPERATURE SENSOR SIGNAL
15	K135 18YL/WT	TRANSFER PUMP POWER SUPPLY
16	H105 18LG/DB	IDLE VALIDATION SWITCH NO. 2
17	K124 18GY	CRANKSHAFT POSITION SENSOR SIGNAL
18	K48 18DG	FAULT SIGNAL
19	-	-
20	-	-
21	K1 18DG/RD	WATER IN FUEL SENSOR SIGNAL
22	-	-
23	K240 20BK	DATA LINK (-) FUEL INJECTION PUMP
24	-	-
25	H102 18LB/BK	ACCELERATOR PEDAL POSITION SENSOR SIGNAL
26	G113 18OR	PTO SWITCH SENSE
27	-	-
28	K22 18OR/DB	THROTTLE POSITION SENSOR SIGNAL
29	S21 18YL/BK	AIR INTAKE HEATER RELAY CONTROL NO. 1
30	Z12 18BK/TN	GROUND
31	H101 18DB/WT	ACCELERATOR PEDAL POSITION SENSOR SUPPLY
32	H103 18BK/YL	ACCELERATOR PEDAL POSITION SENSOR GROUND
33	K45 18LB/RD	KNOCK SENSOR RETURN
34	K44 18VT/OR	CAMSHAFT POSITION SENSOR SIGNAL
35	K135 18YL/WT	TRANSFER PUMP POWER SUPPLY
36	K131 18BR/WT	FUEL INJECTOR PUMP RELAY CONTROL
37	G85 18OR/BK	WAIT-TO-START WARNING INDICATOR DRIVER
38	D21 18PK/DB	SCI TRANSMIT
39	D20 18DG	SCI RECEIVE
40	D2 18WT/BK	CCD BUS (-)
41	D1 18VT/BR	CCD BUS (+)
42	K247 20LB/RD	CUMMINS BUS SHIELD
43	-	-
44	K243 20OR/BR	DATA LINK SHIELD FUEL INJECTION PUMP
45	K24 18GY/BK	CRANKSHAFT POSITION SENSOR SIGNAL
46	-	-
47	S22 18OR/BK	AIR INTAKE HEATER RELAY CONTROL NO. 2
48	A14 18RD/WT	FUSED B(+)
49	Z12 18BK/TN	GROUND
50	A14 18RD/WT	FUSED B(+)



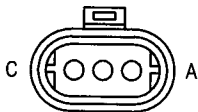
**ENGINE COOLANT
TEMPERATURE
SENSOR
(DIESEL)**

CAV	CIRCUIT	FUNCTION
A	K104 18BK/LB	B (+)
B	K2 18TN/BK	ENGINE COOLANT TEMPERATURE SENSOR SIGNAL



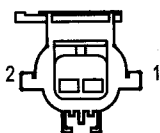
**ENGINE COOLANT
TEMPERATURE
SENSOR
(GAS)**

CAV	CIRCUIT	FUNCTION
1	K4 18BK/LB	SENSOR GROUND
2	K2 18TN/BK	ENGINE COOLANT TEMPERATURE SENSOR SIGNAL



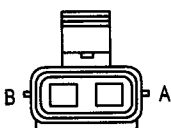
**ENGINE OIL
PRESSURE SENSOR
(DIESEL)**

CAV	CIRCUIT	FUNCTION
A	K7 18OR	5V SUPPLY
B	K104 18BK/LB	B (+)
C	G60 18GY/BK	ENGINE OIL PRESSURE SENSOR SIGNAL



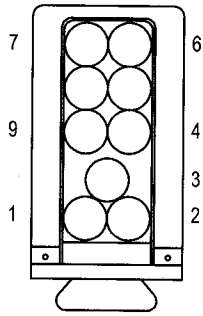
**ENGINE OIL
PRESSURE SENSOR
(GAS)**

CAV	CIRCUIT	FUNCTION
1	K4 20BK/LB	SENSOR GROUND
2	G60 18GY/OR	ENGINE OIL PRESSURE SENSOR SIGNAL



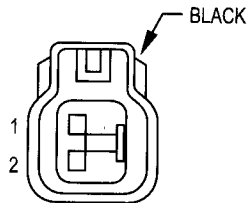
**FUEL HEATER
(DIESEL)**

CAV	CIRCUIT	FUNCTION
A	Z11 14BK/TN	GROUND
B	A93 12RD/BK	FUEL HEATER RELAY OUTPUT



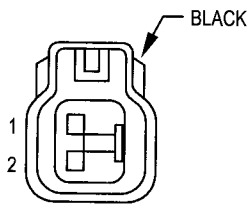
FUEL INJECTION PUMP (DIESEL)

CAV	CIRCUIT	FUNCTION
1	K240 20BK	DATA LINK (-) FUEL INJECTION PUMP
2	K242 20WT	DATA LINK (+) FUEL INJECTION PUMP
3	-	-
4	K44 18VT/OR	CAMSHAFT POSITION SENSOR SIGNAL
5	K45 18LB/RD	KNOCK SENSOR RETURN
6	Z12 14BK/TN	GROUND
7	A40 14RD/LG	FUEL PUMP RELAY OUTPUT
8	K48 18DG	FAULT SIGNAL
9	-	-



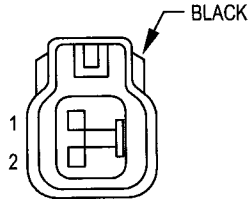
FUEL INJECTOR NO. 1

CAV	CIRCUIT	FUNCTION
1	K11 18WT/DB	FUEL INJECTOR NO.1 DRIVER
2	A142 16DG/OR	AUTOMATIC SHUT DOWN RELAY OUTPUT



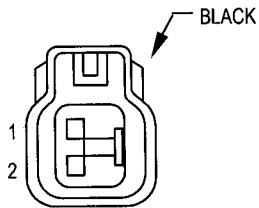
FUEL INJECTOR NO. 2

CAV	CIRCUIT	FUNCTION
1	K12 18TN	FUEL INJECTOR NO. 2 DRIVER
2	A142 16DG/OR	AUTOMATIC SHUT DOWN RELAY OUTPUT



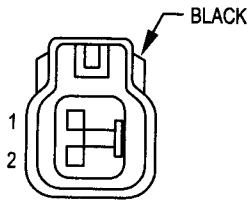
FUEL INJECTOR
NO. 3

CAV	CIRCUIT	FUNCTION
1	K13 18YL/WT	FUEL INJECTOR NO. 3 DRIVER
2	A142 16DG/OR	AUTOMATIC SHUT DOWN RELAY OUTPUT



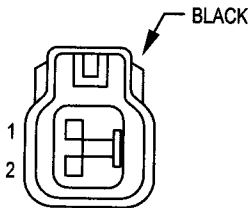
FUEL INJECTOR
NO. 4

CAV	CIRCUIT	FUNCTION
1	K14 18LB/BR	FUEL INJECTOR NO. 4 DRIVER
2	A142 16DG/OR	AUTOMATIC SHUT DOWN RELAY OUTPUT



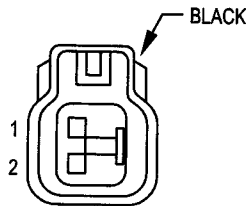
**FUEL INJECTOR
NO. 5**

CAV	CIRCUIT	FUNCTION
1	K38 18GY	FUEL INJECTOR NO. 5 DRIVER
2	A142 16DG/OR	AUTOMATIC SHUT DOWN RELAY OUTPUT



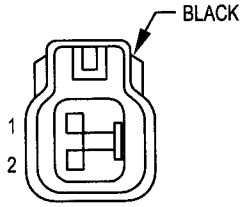
**FUEL INJECTOR
NO. 6**

CAV	CIRCUIT	FUNCTION
1	K58 18BR/DB	FUEL INJECTOR NO. 6 DRIVER
2	A142 16DG/OR	AUTOMATIC SHUT DOWN RELAY OUTPUT



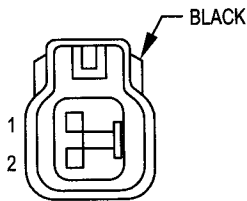
**FUEL INJECTOR
NO. 7
(5.2L/5.9L/8.0L)**

CAV	CIRCUIT	FUNCTION
1	K26 18VT/TN	FUEL INJECTOR NO. 7 DRIVER
2	A142 16DG/OR	AUTOMATIC SHUT DOWN RELAY OUTPUT



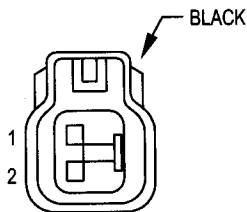
**FUEL INJECTOR
NO. 8
(5.2L/5.9L/8.0L)**

CAV	CIRCUIT	FUNCTION
1	K28 18GY/LB	FUEL INJECTOR NO. 8 DRIVER
2	A142 16DG/OR	AUTOMATIC SHUT DOWN RELAY OUTPUT



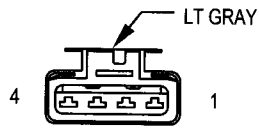
**FUEL INJECTOR
NO. 9
(8.0L)**

CAV	CIRCUIT	FUNCTION
1	K115 18TN/BK	FUEL INJECTOR NO. 9 DRIVER
2	A142 16DG/OR	AUTOMATIC SHUT DOWN RELAY OUTPUT



**FUEL INJECTOR
NO. 10
(8.0L)**

CAV	CIRCUIT	FUNCTION
1	K116 18WT	FUEL INJECTOR NO. 10 DRIVER
2	A142 16DG/OR	AUTOMATIC SHUT DOWN RELAY OUTPUT



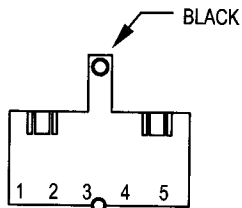
**FUEL PUMP
MODULE**

CAV	CIRCUIT	FUNCTION
1	Z13 16BK	GROUND
2	K4 20BK/LB	SENSOR GROUND
3	K226 20DB/WT	FUEL LEVEL SENSOR SIGNAL
4	A61 16DG/BK	FUEL PUMP RELAY OUTPUT



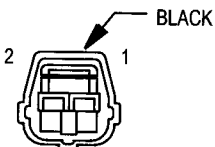
**FUEL
TRANSFER
PUMP
(DIESEL)**

CAV	CIRCUIT	FUNCTION
1	K135 18YL/WT	TRANSFER PUMP POWER SUPPLY
2	Z11 18BK/WT	GROUND



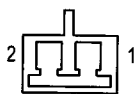
G300

CAV	CIRCUIT	FUNCTION
1	Z2 18BK/LG	GROUND
2	Z2 14BK/LG	GROUND
3	Z2 16BK/LG	GROUND
4	Z2 16BK/LG	GROUND
5	Z2 14BK/LG	GROUND



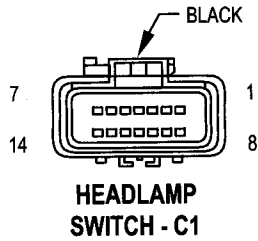
GENERATOR

CAV	CIRCUIT	FUNCTION
1	K20 18DG	GENERATOR FIELD DRIVER
2	T125 18DB	GENERATOR SOURCE

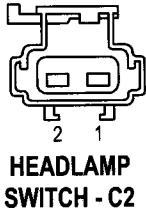


**GLOVE BOX
LAMP**

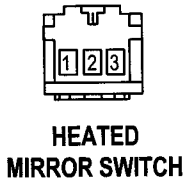
CAV	CIRCUIT	FUNCTION
1	M1 22PK	FUSED B(+)
2	Z3 22BK/OR	GROUND



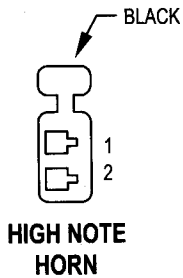
CAV	CIRCUIT	FUNCTION
1	L7 16BK/YL	HEADLAMP SWITCH OUTPUT
2	F33 16PK/RD	FUSED B (+)
3	G26 22LB	KEY-IN IGNITION SWITCH SENSE
4	G75 22TN	• DRIVER DOOR AJAR SWITCH SENSE
4	Z3 22BK/OR	•• GROUND
5	Z3 16BK/OR	GROUND
6	L2 16LG	HEADLAMP SWITCH OUTPUT
7	L39 22LB	FOG LAMP SWITCH OUTPUT
8	E17 18YL/BK	DAY BRIGHTNESS SENSE
9	Z3 20BK/OR	GROUND
10	M22 22WT	ILLUMINATED ENTRY SWITCH SENSE
11	M3 22PK/DB	CARGO LAMP DRIVER
12	M2 22YL	• COURTESY LAMPS DRIVER
13	M11 22PK/LB	•• COURTESY LAMP SWITCH OUTPUT
13	M22 22WT	• ILLUMINATED ENTRY SWITCH SENSE
14	E1 18TN	PANEL LAMPS DIMMER SWITCH SIGNAL



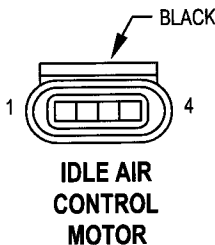
CAV	CIRCUIT	FUNCTION
1	Z3 20BK/OR	GROUND
2	L35 22BR/YL	FOG LAMP RELAY OUPUT



CAV	CIRCUIT	FUNCTION
1	F15 22DB	FUSED IGNITION SWITCH OUTPUT (RUN)
2	Z3 22BK/OR	GROUND
3	C16 22LB/YL	HEATED MIRROR

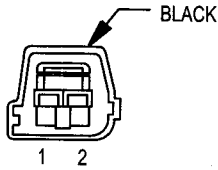


CAV	CIRCUIT	FUNCTION
1	X2 18DG/RD	HORN RELAY OUTPUT
2	Z1 18BK	GROUND



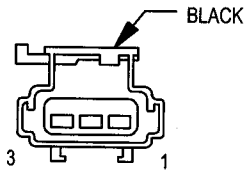
CAV	CIRCUIT	FUNCTION
1	K39 18GY/RD	IDLE AIR CONTROL NO. 1 DRIVER
2	K60 18YL/BK	IDLE AIR CONTROL NO. 2 DRIVER
3	K40 18BR/WT	IDLE AIR CONTROL NO. 3 DRIVER
4	K59 18VT/BK	IDLE AIR CONTROL NO. 4 DRIVER

- IEM
- CTM



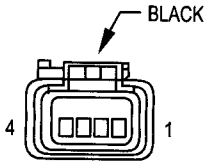
**IGNITION COIL
(3.9L/5.2L/5.9L)**

CAV	CIRCUIT	FUNCTION
1	A142 14DG/OR	AUTOMATIC SHUT DOWN RELAY OUTPUT
2	K19 16BK/GY	IGNITION COIL NO. 1 DRIVER



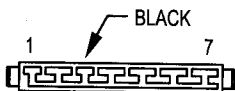
**IGNITION COIL
4 - PACK
(8.0L)**

CAV	CIRCUIT	FUNCTION
1	K17 18DB/WT	IGNITION COIL NO. 2 DRIVER
2	A142 14DG/OR	AUTOMATIC SHUT DOWN RELAY OUTPUT
3	K18 18RD/BK	IGNITION COIL NO. 3 DRIVER



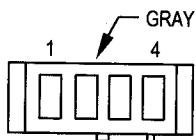
**IGNITION COIL
6 - PACK
(8.0L)**

CAV	CIRCUIT	FUNCTION
1	K19 18BK/GY	IGNITION COIL NO. 1 DRIVER
2	A142 14DG/OR	AUTOMATIC SHUT DOWN RELAY OUTPUT
3	K32 18YL/GY	IGNITION COIL NO. 4 DRIVER
4	K43 18DG/GY	IGNITION COIL NO. 5 DRIVER



**IGNITION
SWITCH - C1**

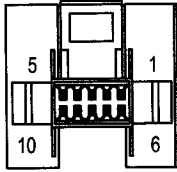
CAV	CIRCUIT	FUNCTION
1	A41 14YL	IGNITION SWITCH OUTPUT (ST)
2	A21 10DB	IGNITION SWITCH OUTPUT (ST-RUN)
3	-	-
4	A2 14PK/BK	FUSED B(+)
5	A22 14BK/OR	IGNITION SWITCH OUTPUT (RUN)
6	A31 10BK/WT	IGNITION SWITCH OUTPUT (RUN-ACC)
7	A1 10RD	FUSED B(+)



**IGNITION
SWITCH - C2**

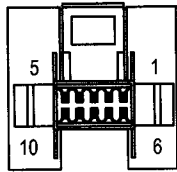
CAV	CIRCUIT	FUNCTION
1	G75 22TN ●	DRIVER DOOR AJAR SWITCH SENSE
1	Z3 22BK/OR ●●	GROUND
2	G26 22LB	KEY-IN IGNITION SWITCH SENSE
3	-	-
4	-	-

● IEM
●● CTM



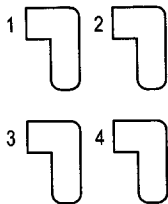
**INSTRUMENT
CLUSTER - C1**

CAV	CIRCUIT	FUNCTION
1	-	-
2	G5 22DB/WT	FUSED IGNITION SWITCH OUTPUT (ST-RUN)
3	G11 22WT/LG	PARK BRAKE SWITCH SENSE
4	Z2 20BK/LG	GROUND
5	Z3 20BK/OR	GROUND
6	F73 20YL	FUSED B(+)
7	-	-
8	G85 22OR/BK ●●	WAIT-TO-START WARNING INDICATOR DRIVER
9	D2 20WT/BK	CCD BUS (-)
10	D1 20VT/BR	CCD BUS (+)



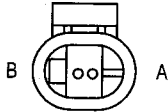
**INSTRUMENT
CLUSTER - C2**

CAV	CIRCUIT	FUNCTION
1	E2 22OR	FUSED PANEL LAMPS DIMMER SWITCH SIGNAL
2	G29 22BK/WT	WASHER FLUID SWITCH SENSE
3	G10 22LG/RD	SEAT BELT SWITCH SENSE
4	-	-
5	E17 18YL/BK	DAY BRIGHTNESS SENSE
6	L61 18LG	LEFT TURN SIGNAL
7	G13 22DB/RD	TONE REQUEST SIGNAL
8	L60 18TN	RIGHT TURN SIGNAL
9	G34 16RD/GY	HIGH BEAM INDICATOR DRIVER
10	G107 22GY	4WD SWITCH SENSE



**INTAKE AIR
HEATER RELAY
(DIESEL)**

CAV	CIRCUIT	FUNCTION
1	S22 18OR/BK	AIR INTAKE HEATER RELAY CONTROL NO. 2
2	Z12 18BK/TN	GROUND
3	S21 18YL/BK	AIR INTAKE HEATER RELAY CONTROL NO. 1
4	Z12 18BK/TN	GROUND



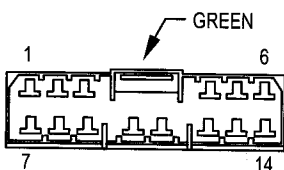
**INTAKE AIR
TEMPERATURE SENSOR
(DIESEL)**

CAV	CIRCUIT	FUNCTION
A	K104 18BK/LB	B (+)
B	K21 18BK/RD	INTAKE AIR TEMPERATURE SENSOR SIGNAL



**INTAKE AIR
TEMPERATURE SENSOR
(GAS)**

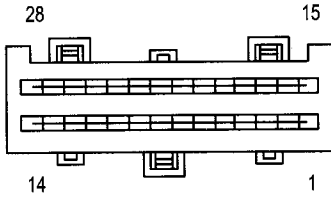
CAV	CIRCUIT	FUNCTION
1	K4 18BK/LB	SENSOR GROUND
2	K21 18BK/RD	INTAKE AIR TEMPERATURE SENSOR SIGNAL



**INTEGRATED
ELECTRONIC
MODULE**

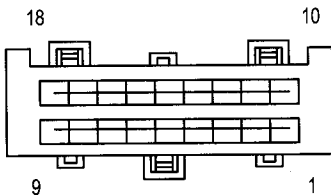
CAV	CIRCUIT	FUNCTION
1	G75 22TN	DRIVER DOOR JAMB SWITCH SENSE
2	G13 22DB/RD	TONE REQUEST SIGNAL
3	V8 16VT	WIPER SWITCH MODE SENSE
4	V18 22YL/DG	WIPER MOTOR RELAY CONTROL
5	G16 22BK/LB	PASSENGER DOOR JAMB SWITCH SENSE
6	Z2 22BK/LG	GROUND
7	-	-
8	V6 16DB ▲	FUSED IGNITION SWITCH OUTPUT (RUN-ACC)
8	F12 22DB/WT ●●	FUSED IGNITION SWITCH OUTPUT (ST-RUN)
9	G26 22LB	KEY-IN IGNITION SWITCH SENSE
10	V10 16BR	WASHER SWITCH SENSE
11	V5 16DG	WIPER PARK SWITCH SENSE
12	V9 16WT/DB	WIPER SWITCH MODE SIGNAL
13	-	-
14	F35 22RD	FUSED B(+)

▲ CTM
●● BASE/MIDLINE



**JOINT
CONNECTOR NO. 1
(IN PDC)**

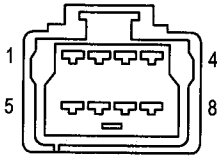
CAV	CIRCUIT	FUNCTION
1	V40 20WT/PK	BRAKE SWITCH SENSE
2	V40 22WT/PK	BRAKE SWITCH SENSE
3	V40 22WT/PK	BRAKE SWITCH SENSE
4	L4 18VT/WT	LOW BEAM RELAY OUTPUT
5	L4 16VT/WT	LOW BEAM RELAY OUTPUT
6	L4 20VT/WT	LOW BEAM RELAY OUTPUT
7	L4 20VT/WT	LOW BEAM RELAY OUTPUT
8	L4 18VT/WT	LOW BEAM RELAY OUTPUT
9	L1 18VT/BK	BACK-UP LAMP FEED
10	L1 18VT/BK	BACK-UP LAMP FEED
11	L1 18VT/BK	BACK-UP LAMP FEED
12	X2 18DG/RD	HORN RELAY OUTPUT
13	X2 18DG/RD	HORN RELAY OUTPUT
14	X2 18DG/RD	HORN RELAY OUTPUT
15	K4 22BK/LB	SENSOR GROUND
16	K4 22BK/LB	SENSOR GROUND
17	K4 20BK/LB	SENSOR GROUND
18	K4 20BK/LB	SENSOR GROUND
19	Z1 22BK	GROUND
20	Z1 20BK ■■	GROUND
21	Z1 22BK	GROUND
22	Z1 18BK	GROUND
23	Z1 18BK	GROUND
24	Z1 22BK ■■	GROUND
25	Z1 16BK	GROUND
26	Z1 16BK	GROUND
27	-	-
28	Z1 18BK	GROUND



**JOINT
CONNECTOR NO. 2
(IN PDC)**

CAV	CIRCUIT	FUNCTION
1	-	-
2	-	-
3	-	-
4	V5 16DG	WIPER PARK SWITCH SENSE
5	V5 16DG	WIPER PARK SWITCH SENSE
6	V5 16DG	WIPER PARK SWITCH SENSE
7	A14 16RD/WT	FUSED B(+)
8	A14 16RD/WT	FUSED B(+)
9	A14 16RD/WT	FUSED B(+)
10	A6 12RD/OR ●	FUSED B(+)
11	A6 12RD/OR ●	FUSED B(+)
12	A6 12RD/OR ●	FUSED B(+)
13	A6 12RD/OR ●	FUSED B(+)
14	-	-
15	A142 14DG/OR ▲▲	AUTOMATIC SHUT DOWN RELAY OUTPUT SENSE
16	A142 14DG/OR ▲▲	AUTOMATIC SHUT DOWN RELAY OUTPUT SENSE
16	Z12 18BK/TN ■■	GROUND
17	A142 14DG/OR ▲▲	AUTOMATIC SHUT DOWN RELAY OUTPUT SENSE
17	Z12 18BK/TN ■■	GROUND
18	Z12 18BK/TN ■■	GROUND

- ▲▲ GAS
- DIESEL
- TRAILER TOW



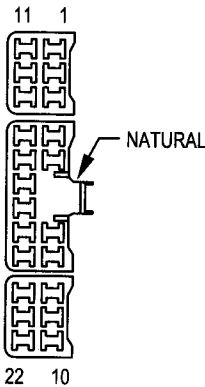
**JOINT
CONNECTOR NO. 3**

CAV	CIRCUIT	FUNCTION
1	Z1 20BK	GROUND
2	Z1 18BK	GROUND
3	G107 20GY	4WD SWITCH SENSE
4	G107 20GY	4WD SWITCH SENSE
5	Z1 18BK	GROUND
6	Z1 18BK	GROUND
7	G107 20GY	4WD SWITCH SENSE
8	-	-



**JOINT
CONNECTOR NO. 4**

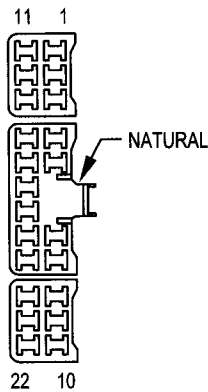
CAV	CIRCUIT	FUNCTION
1	Z1 18BK	GROUND
2	Z1 20BK	GROUND
3	Z1 18BK	GROUND
4	Z1 20BK	GROUND
5	Z1 18BK	GROUND
6	Z1 20BK	GROUND
7	Z1 18BK	GROUND
8	Z1 20BK	GROUND



**JOINT
CONNECTOR NO. 5**

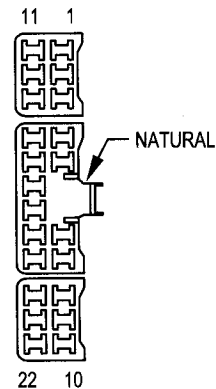
CAV	CIRCUIT	FUNCTION
1	M1 20PK	FUSED B(+)
2	M1 22PK	FUSED B(+)
3	M1 22PK	FUSED B(+)
4	Z3 20BK/OR	GROUND
5	Z3 18BK/OR	GROUND
6	Z3 22BK/OR	GROUND
7	Z3 18BK/OR	GROUND
8	E2 22OR	PANEL LAMPS FEED
9	E2 22OR	PANEL LAMPS FEED
10	E2 22OR	PANEL LAMPS FEED
11	-	-
12	M1 22PK	FUSED B(+)
13	M1 22PK	FUSED B(+)
14	Z3 20BK/OR ●	GROUND
15	Z3 20BK/OR ●	GROUND
16	Z3 22BK/OR ▲	GROUND
17	Z3 22BK/OR ▲	GROUND
18	-	-
19	-	-
20	E2 22OR	PANEL LAMPS FEED
21	E2 22OR	PANEL LAMPS FEED
22	E2 22OR	PANEL LAMPS FEED

● HEATED SEATS
▲ EXCEPT BASE/MIDLINE



JOINT
CONNECTOR NO. 6

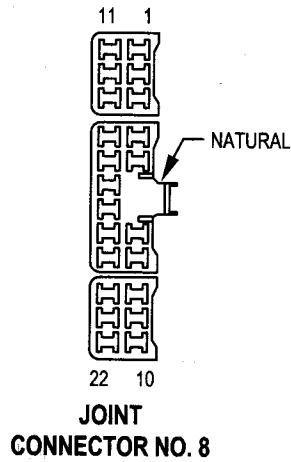
CAV	CIRCUIT	FUNCTION
1	V10 16BR	WASHER SWITCH SENSE
2	V10 16BR	WASHER SWITCH SENSE
3	V10 16BR	WASHER SWITCH SENSE
4	-	-
5	-	-
6	Z9 16BK/VT	GROUND
7	Z9 16BK/VT	● GROUND
8	G26 22LB	KEY-IN IGNITION SWITCH SENSE
9	G26 22LB	KEY-IN IGNITION SWITCH SENSE
10	G26 22LB	KEY-IN IGNITION SWITCH SENSE
11	-	-
12	-	-
13	-	-
14	L50 16WT/TN	BRAKE LAMP SWITCH OUTPUT
15	L50 16WT/TN	BRAKE LAMP SWITCH OUTPUT
16	L50 18WT/TN	BRAKE LAMP SWITCH OUTPUT
17	L50 18WT/TN	BRAKE LAMP SWITCH OUTPUT
18	Z9 16BK/VT	● GROUND
19	Z9 20BK/VT	●● GROUND
20	X3 20BK/RD	▲ HORN RELAY CONTROL
20	M22 22WT	▲▲ ILLUMINATED ENTRY SWITCH SENSE
21	X3 20BK/RD	▲ HORN RELAY CONTROL
21	M22 22WT	▲▲ ILLUMINATED ENTRY SWITCH SENSE
22	X3 20BK/RD	▲ HORN RELAY CONTROL
22	M22 22WT	▲▲ ILLUMINATED ENTRY SWITCH SENSE



JOINT
CONNECTOR NO. 7

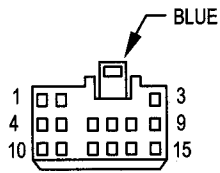
CAV	CIRCUIT	FUNCTION
1	D1 18VT/BR	CCD BUS(+)
2	D1 18VT/BR	CCD BUS(+)
3	D1 20VT/BR	CCD BUS(+)
4	D2 18WT/BK	CCD BUS(-)
5	D2 18WT/BK	CCD BUS(-)
6	D2 20WT/BK	CCD BUS(-)
7	D2 20WT/BK	CCD BUS(-)
8	D1 20VT/BR	CCD BUS(+)
9	D1 20VT/BR	CCD BUS(+)
10	D1 20VT/BR	CCD BUS(+)
11	D1 20VT/BR	CCD BUS(+)
12	D1 20VT/BR	CCD BUS(+)
13	D1 20VT/BR	CCD BUS(+)
14	D2 20WT/BK	CCD BUS(-)
15	D2 20WT/BK	CCD BUS(-)
16	D2 20WT/BK	CCD BUS(-)
17	D2 20WT/BK	■ CCD BUS(-)
18	-	-
19	-	-
20	D1 20VT/BR	■ CCD BUS(+)
21	-	-
22	-	-

- EXCEPT BASE/LOWLINE (CTM)
- SLT+/HIGHLINE (REMOTE RADIO)
- ▲ EXCEPT BASE/MIDLINE
- ▲▲ BASE/MIDLINE
- REMOTE RADIO



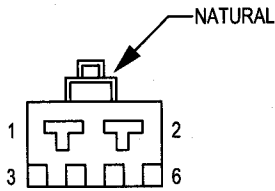
CAV	CIRCUIT	FUNCTION
1	E17 18YL/BK	DAY BRIGHTNESS SENSE
2	E17 18YL/BK	DAY BRIGHTNESS SENSE
3	E17 18YL/BK	DAY BRIGHTNESS SENSE
4	F15 18DB	FUSED IGNITION SWITCH OUTPUT (RUN)
5	F15 22DB	FUSED IGNITION SWITCH OUTPUT (RUN)
6	G75 22TN ■	DRIVER DOOR AJAR SWITCH SENSE
6	E2 22OR ●●	PANEL LAMPS FEED
7	G75 22TN ■	DRIVER DOOR AJAR SWITCH SENSE
7	E2 22OR ●●	PANEL LAMPS FEED
8	F14 18LG/YL	FUSED IGNITION SWITCH OUTPUT (ST-RUN)
9	F14 18LG/YL	FUSED IGNITION SWITCH OUTPUT (ST-RUN)
10	F14 18LG/YL	FUSED IGNITION SWITCH OUTPUT (ST-RUN)
11	M2 22YL	COURTESY LAMPS DRIVER
12	M2 22YL	COURTESY LAMPS DRIVER
13	M2 22YL	COURTESY LAMPS DRIVER
14	F15 22DB	FUSED IGNITION SWITCH OUTPUT (RUN)
15	F15 22DB	FUSED IGNITION SWITCH OUTPUT (RUN)
16	F15 22DB	FUSED IGNITION SWITCH OUTPUT (RUN)
17	F15 20DB ●●	FUSED IGNITION SWITCH OUTPUT (RUN)
18	G75 22TN ■	DRIVER DOOR AJAR SWITCH SENSE
18	E2 22OR ●●	PANEL LAMPS FEED
19	G75 22TN ■	DRIVER DOOR AJAR SWITCH SENSE
19	E2 22OR ●●	PANEL LAMPS FEED
20	Z6 18BK/PK	GROUND
21	Z6 18BK/PK	GROUND
22	Z6 18BK/PK	GROUND

●● HEATED SEATS
 ■ BASE/MIDLINE



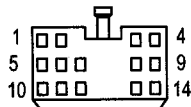
**JUNCTION
BLOCK - C1**

CAV	CIRCUIT	FUNCTION
1	-	-
2	G31 20VT/LG	AMBIENT TEMPERATURE SENSOR SIGNAL
3	A20 20RD/DB	FUSED IGNITION SWITCH OUTPUT (RUN)
4	L61 18LG	LEFT TURN SIGNAL
5	V6 16DB	FUSED IGNITION SWITCH OUTPUT (RUN-ACC)
6	-	-
7	-	-
8	-	-
9	L7 18BK/YL	PARK LAMP RELAY OUTPUT
10	F18 20LG/BK	FUSED IGNITION SWITCH OUTPUT (ST-RUN)
11	L1 18VT/BK	BACK-UP LAMP FEED
12	V6 16DB	FUSED IGNITION SWITCH OUTPUT (RUN-ACC)
13	V6 16DB	FUSED IGNITION SWITCH OUTPUT (RUN-ACC)
14	G32 20BK/VT	SENSOR GROUND
15	-	-



**JUNCTION
BLOCK - C2**

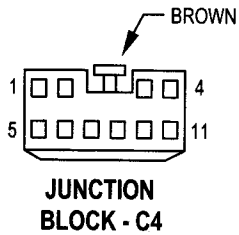
CAV	CIRCUIT	FUNCTION
1	A7 10RD/BK	FUSED B(+)
2	L9 16BK/VT	FUSED FLASHER FEED
3	M1 20PK	FUSED B(+)
4	-	-
5	L60 18TN	RIGHT TURN SIGNAL
6	-	-



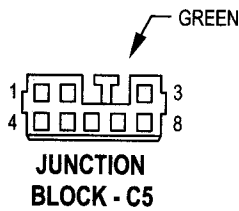
**JUNCTION
BLOCK - C3**

CAV	CIRCUIT	FUNCTION
1	G32 22BK/LB	SENSOR GROUND
2	Z2 20BK/LG	GROUND
3	M2 22YL	COURTESY LAMPS DRIVER
4	-	-
5	G31 22VT/LG	AMBIENT TEMPERATURE SENSOR SIGNAL
6	M1 20PK	■ FUSED B(+)
6	M1 22PK	●● FUSED B(+)
7	-	-
8	L7 18BK/YL	● PARK LAMP RELAY OUTPUT
9	-	-
10	-	-
11	L1 20VT/BK	BACK-UP LAMP FEED
12	-	-
13	Z3 18BK	■ GROUND
14	F12 20DB/WT	■ FUSED IGNITION SWITCH OUTPUT (ST-RUN)

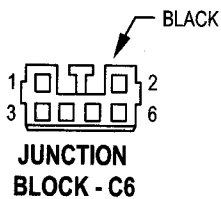
- CLEARANCE/ID LAMPS
- BASE
- HIGHLINE



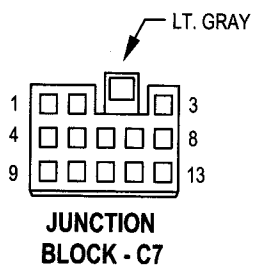
CAV	CIRCUIT	FUNCTION
1	F14 18LG/YL	FUSED IGNITION SWITCH OUTPUT (ST-RUN)
2	F23 18DB/YL	FUSED IGNITION SWITCH OUTPUT (RUN)
3	X12 16RD/WT	FUSED IGNITION SWITCH OUTPUT (RUN-ACC)
4	L61 18LG	LEFT TURN SIGNAL
5	F12 22DB/WT	FUSED IGNITION SWITCH OUTPUT (ST-RUN)
6	F12 22DB/WT	FUSED IGNITION SWITCH OUTPUT (ST-RUN)
7	-	-
8	-	-
9	E1 18TN	PANEL LAMPS DIMMER SWITCH SIGNAL
10	-	-
11	-	-



CAV	CIRCUIT	FUNCTION
1	V6 16DB	● INTERMITTENT WIPER RELAY OUTPUT
2	L61 18LG	LEFT TURN SIGNAL
3	X60 16DG/RD	FUSED IGNITION SWITCH OUTPUT (RUN-ACC)
4	V6 16DB	FUSED IGNITION SWITCH OUTPUT (RUN-ACC)
5	-	-
6	M2 22YL	COURTESY LAMPS DRIVER
7	E2 22OR	FUSED PANEL LAMPS DIMMER SWITCH SIGNAL
8	G5 22DB/WT	FUSED IGNITION SWITCH OUTPUT (ST-RUN)

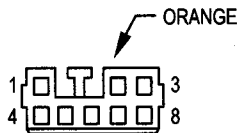


CAV	CIRCUIT	FUNCTION
1	A35 16DB ▲▲	FUSED B(+)
2	-	-
3	-	-
4	L19 16PK	HAZARD FLASHER SIGNAL
5	F235 16RD	B(+) TO HEATED SEAT MODULE
6	L10 18BR/LG	FUSED IGNITION SWITCH OUTPUT (RUN)



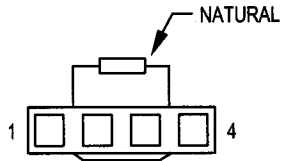
CAV	CIRCUIT	FUNCTION
1	L60 18TN	RIGHT TURN SIGNAL
2	-	-
3	Z3 18BK/WT	GROUND
4	L60 18TN	RIGHT TURN SIGNAL
5	-	-
6	-	-
7	P132 16OR/BK ▲	HEATED SEAT ENABLE
8	Z2 22BK/LG	GROUND
9	M1 22PK	FUSED B(+)
10	F35 18RD	FUSED B(+)
11	F35 22RD	FUSED B(+)
12	A35 16DB ▲▲	B(+)
13	L6 16RD/GY	FLASHER OUTPUT

- EXCEPT BASE/MIDLINE
- ▲ SLT/BASE/MIDLINE
- ▲▲ SLT



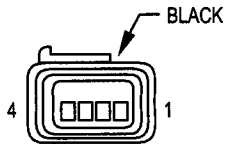
JUNCTION BLOCK - C8

CAV	CIRCUIT	FUNCTION
1	F30 18RD/OR	FUSED IGNITION SWITCH OUTPUT (RUN-ACC)
2	-	-
3	-	-
4	F73 20YL	FUSED B(+)
5	-	-
6	-	-
7	F37 16RD/LB •	FUSED B(+)
8	F21 14TN	FUSED IGNITION SWITCH OUTPUT (RUN)



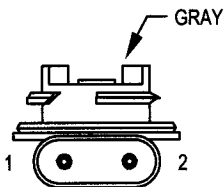
JUNCTION BLOCK - C9

CAV	CIRCUIT	FUNCTION
1	A31 10BK/WT	FUSED IGNITION SWITCH OUTPUT (RUN-ACC)
2	A21 10DB	FUSED IGNITION SWITCH OUTPUT (ST-RUN)
3	A22 14BK/OR	FUSED IGNITION SWITCH OUTPUT (RUN)
4	F15 18DB	FUSED IGNITION SWITCH OUTPUT (RUN)



LEAK DETECTION PUMP

CAV	CIRCUIT	FUNCTION
1	-	-
2	T125 18DB	GENERATOR SOURCE
3	K106 18WT/DG	LEAK DETECTION PUMP SOLENOID CONTROL
4	K107 18OR	LEAK DETECTION PUMP SWITCH SENSE



LEFT BACK-UP LAMP

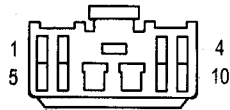
CAV	CIRCUIT	FUNCTION
1	Z13 18BK	GROUND
2	L1 18VT/BK	BACK-UP LAMP FEED



LEFT FOG LAMP

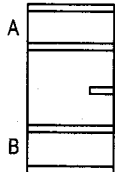
CAV	CIRCUIT	FUNCTION
A	L34 20RD/OR	FUSED B(+)
B	L39 20LB	FOG LAMP SWITCH OUTPUT

• EXCEPT BASE, LOWLINE (CTM)



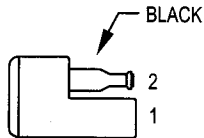
**LEFT FRONT
DOOR SPEAKER
(PREMIUM)**

CAV	CIRCUIT	FUNCTION
1	X83 20YL/RD	AMPLIFIED HIGH LEFT FRONT SPEAKER (+)
2	X81 20YL/BK	AMPLIFIED HIGH LEFT FRONT SPEAKER (-)
3	X53 18DG	LEFT FRONT SPEAKER (+)
4	X55 18BR/RD	LEFT FRONT SPEAKER (-)
5	X91 18WT/DG	AMPLIFIED LOW LEFT REAR SPEAKER (-)
6	X93 18 WT/VT	AMPLIFIED LOW LEFT REAR SPEAKER (+)
7	X13 16BK/RD	RADIO CHOKE RELAY OUTPUT
8	Z9 16BK/VT	GROUND
9	X51 18BR/YL	LEFT REAR SPEAKER (+)
10	X57 18BR/LB	LEFT REAR SPEAKER (-)



**LEFT FRONT
DOOR SPEAKER
(STANDARD)**

CAV	CIRCUIT	FUNCTION
A	X55 20BR/RD	LEFT FRONT SPEAKER (-)
B	X53 20DG	LEFT FRONT SPEAKER (+)



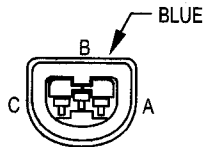
**LEFT FRONT
FENDER LAMP
(DUAL REAR WHEELS)**

CAV	CIRCUIT	FUNCTION
1	L7 18BK/YL	HEADLAMP SWITCH OUTPUT
2	Z13 18BK	GROUND



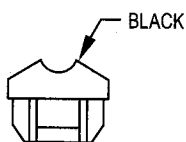
**LEFT FRONT
WHEEL SPEED
SENSOR
(ABS)**

CAV	CIRCUIT	FUNCTION
1	B8 20RD/GY	LEFT FRONT WHEEL SPEED SENSOR (-)
2	B9 20RD	LEFT FRONT WHEEL SPEED SENSOR (+)



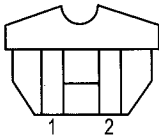
**LEFT
HEADLAMP**

CAV	CIRCUIT	FUNCTION
A	L45 18PK/RD	FUSED B(+)
B	-	-
C	L33 18LG/BR	HIGH BEAM HEADLAMP DRIVER



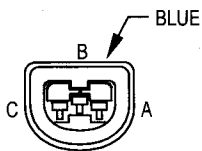
**LEFT
LICENSE LAMP**

CAV	CIRCUIT	FUNCTION
1	L7 18BK/YL	HEADLAMP SWITCH OUTPUT
2	Z13 18BK	GROUND



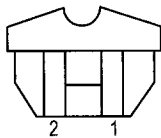
**LEFT OUTBOARD
CLEARANCE LAMP**

CAV	CIRCUIT	FUNCTION
1	L7 18BK/YL	HEADLAMP SWITCH OUTPUT
2	Z4 18BK	GROUND



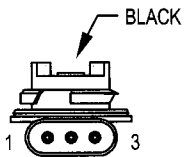
**LEFT OUTBOARD
HEADLAMP**

CAV	CIRCUIT	FUNCTION
A	L4 20VT/WT	● DIMMER SWITCH LOW BEAM OUTPUT
A	L43 18VT	■ FUSED B(+)
B	L4 20VT/WT	■ DIMMER SWITCH LOW BEAM OUTPUT
B	L43 18VT	● FUSED (+)
C	L3 20RD/OR	DIMMER SWITCH HIGH BEAM OUTPUT



**LEFT OUTBOARD
IDENTIFICATION
LAMP**

CAV	CIRCUIT	FUNCTION
1	L7 18BK/YL	HEADLAMP SWITCH OUTPUT
2	Z4 18BK	GROUND



**LEFT PARK/
TURN SIGNAL LAMP**

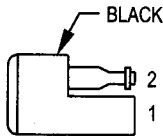
CAV	CIRCUIT	FUNCTION
1	Z1 18BK	GROUND
2	L7 18BK/YL	PARK LAMP RELAY OUTPUT
3	L61 18LG/TN	LEFT TURN SIGNAL

- QUAD HEADLAMP
- EXCEPT QUAD HEADLAMP



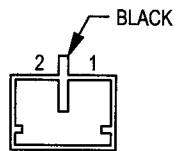
LEFT POWER MIRROR

CAV	CIRCUIT	FUNCTION
1	P71 22YL	LEFT MIRROR UP DRIVER
2	P75 22DB/WT	LEFT MIRROR LEFT DRIVER
3	P73 22YL/PK	LEFT MIRROR COMMON DRIVER (RIGHT/DOWN)
4	C16 20LB/YL	HEATED MIRROR
5	Z2 20BK/LG	GROUND
6	-	-



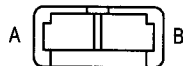
LEFT REAR FENDER LAMP (DUAL REAR WHEELS)

CAV	CIRCUIT	FUNCTION
1	L7 18BK/YL	HEADLAMP SWITCH OUTPUT
2	Z13 18BK	GROUND



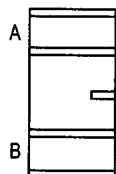
LEFT REAR SPEAKER (PREMIUM)

CAV	CIRCUIT	FUNCTION
1	X91 18WT/DG ●	AMPLIFIED LOW LEFT REAR SPEAKER (-)
	X57 18BR/LB ●●	AMPLIFIED LOW LEFT REAR SPEAKER (-)
2	X93 18WT/VT ●	AMPLIFIED LOW LEFT REAR SPEAKER (+)
	X51 18BR/YL ●●	AMPLIFIED LOW LEFT REAR SPEAKER (+)



LEFT REAR SPEAKER (STANDARD 2 DOOR)

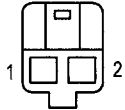
CAV	CIRCUIT	FUNCTION
A	X57 18BR/LB	LEFT REAR SPEAKER (-)
B	X51 18BR/YL	LEFT REAR SPEAKER (+)



LEFT REAR SPEAKER (STANDARD 4 DOOR)

CAV	CIRCUIT	FUNCTION
A	X57 18BR/LB	LEFT REAR SPEAKER (-)
B	X51 18BR/YL	LEFT REAR SPEAKER (+)

● 2 DOOR
●● 4 DOOR



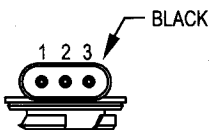
**LEFT REMOTE
RADIO SWITCH**

CAV	CIRCUIT	FUNCTION
1	Z2 22BK/LG	GROUND
2	X20 22RD/BK	RADIO CONTROL MUX



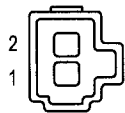
**LEFT SPEED
CONTROL SWITCH**

CAV	CIRCUIT	FUNCTION
1	K4 22WT	SENSOR GROUND
	K4 22WT	SENSOR GROUND
2	V37 22DG/RD	SPEED CONTROL SWITCH SIGNAL
	V37 22DG/RD	SPEED CONTROL SWITCH SIGNAL



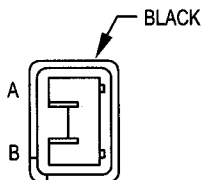
**LEFT TAIL/
STOP/TURN
SIGNAL LAMP**

CAV	CIRCUIT	FUNCTION
1	Z13 18BK	GROUND
2	L7 18BK/YL	PARK LAMP RELAY OUTPUT
3	L63 18DG/BR	LEFT TURN SIGNAL



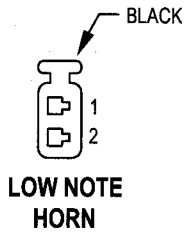
**LEFT TWEETER
(PREMIUM)**

CAV	CIRCUIT	FUNCTION
1	X81 20YL/BK	AMPLIFIED HIGH LEFT FRONT SPEAKER (-)
2	X83 20YL/RD	AMPLIFIED HIGH LEFT FRONT SPEAKER (+)

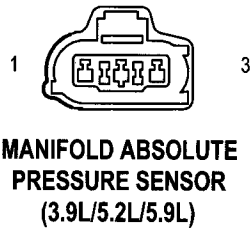


**LEFT VISOR/
VANITY LAMP**

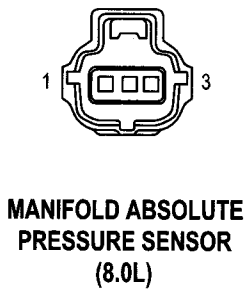
CAV	CIRCUIT	FUNCTION
A	M1 20PK	FUSED B(+)
B	Z4 20BK	GROUND



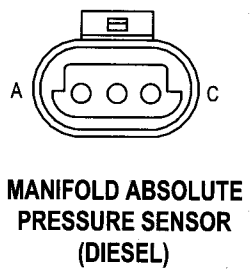
CAV	CIRCUIT	FUNCTION
1	X2 18DG/RD	HORN RELAY OUTPUT
2	Z1 18BK	GROUND



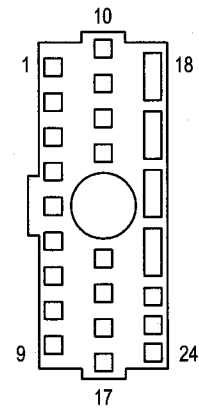
CAV	CIRCUIT	FUNCTION
1	K4 20BK/LB	SENSOR GROUND
2	K1 18DG/RD	MAP SENSOR SIGNAL
3	K6 20VT/WT	5V SUPPLY



CAV	CIRCUIT	FUNCTION
1	K6 20VT/WT	5V SUPPLY
2	K4 20BK/LB	SENSOR GROUND
3	K1 18DG/RD	MAP SENSOR SIGNAL

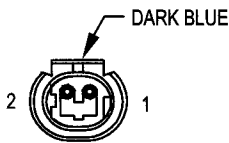


CAV	CIRCUIT	FUNCTION
A	K7 18OR	5V SUPPLY
B	K104 18BK/LB	B (+)
C	G12 18GY/RD	CHECK GAUGES INDICATOR DRIVER



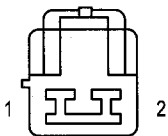
MULTI-FUNCTION SWITCH

CAV	CIRCUIT	FUNCTION
1	V9 16WT/DB	WIPER SWITCH MODE SIGNAL
2	V8 16VT	WIPER SWITCH MODE SENSE
3	V10 16BR	WASHER SWITCH SENSE
4	V6 16DB	FUSED IGNITION SWITCH OUTPUT (RUN-ACC)
5	V4 16RD/YL	WIPER SWITCH HIGH SPEED OUTPUT
6	V3 16BR/WT	LOW SPEED WIPER SWITCH OUTPUT
7	V49 16RD/BK	DRIVER LOW SPEED WIPER MOTOR DRIVER
8	V49 16RD/BK	DRIVER LOW SPEED WIPER MOTOR DRIVER
9	V3 16BR/WT	LOW SPEED WIPER SWITCH OUTPUT
10	-	-
11	L60 18TN	RIGHT TURN SIGNAL
12	L62 16BR/RD	RIGHT TURN SIGNAL
13	L19 16PK	HAZARD FLASHER SIGNAL
14	L50 16WT/TN	BRAKE LAMP SWITCH OUTPUT
15	L63 16DG/RD	LEFT TURN SIGNAL
16	L61 18LG	LEFT TURN SIGNAL
17	L6 16RD/GY	FLASHER OUTPUT
18	L4 14VT/WT	DIMMER SWITCH LOW BEAM OUTPUT
19	L2 16LG	HEADLAMP SWITCH OUTPUT
20	L3 14RD/OR	DIMMER SWITCH HIGH BEAM OUTPUT
21	Z3 16BK/OR	GROUND
22	-	-
23	-	-
24	-	-



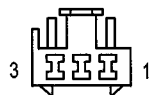
OUTPUT SPEED SENSOR

CAV	CIRCUIT	FUNCTION
1	T14 18LG/BK	OUTPUT SPEED SENSOR SIGNAL
2	T13 18DB/BK	OUTPUT SPEED SENSOR GROUND



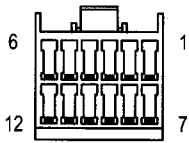
OVERDRIVE SWITCH

CAV	CIRCUIT	FUNCTION
1	T6 22OR/WT	OVERDRIVE OFF SWITCH SENSE
2	Z2 22BK/LG	GROUND



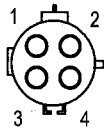
OVERHEAD CONSOLE (BASE)

CAV	CIRCUIT	FUNCTION
1	M2 22YL	COURTESY LAMPS DRIVER
2	M1 22PK	FUSED B(+)
3	Z2 20BK/LG	GROUND



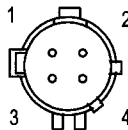
**OVERHEAD CONSOLE
(HIGHLINE)**

CAV	CIRCUIT	FUNCTION
1	F12 20DB/WT	FUSED IGNITION SWITCH OUTPUT (ST-RUN)
2	D1 20VT/BR	CCD BUS(+)
3	G31 22VT/LG	AMBIENT TEMPERATURE SENSOR SIGNAL
4	Z2 20BK/LG	GROUND
5	M1 20PK	FUSED B(+)
6	M2 22YL	COURTESY LAMPS DRIVER
7	Z2 20BK/LG	GROUND
8	D2 20WT/BK	CCD BUS(-)
9	G32 22BK/LB	SENSOR GROUND
10	-	-
11	G69 22BK	VTSS INDICATOR DRIVER



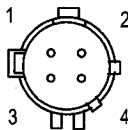
**OXYGEN SENSOR
1/1 LEFT
BANK UP
(5.9L HD/8.0L)**

CAV	CIRCUIT	FUNCTION
1	A141 18DG/WT	AUTOMATIC SHUT DOWN RELAY OUTPUT
2	Z11 18BK/WT	GROUND
3	K4 18BK/LB	SENSOR GROUND
4	K41 18BK/DG	OXYGEN SENSOR 1/1 SIGNAL



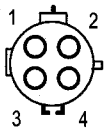
**OXYGEN SENSOR
1/1 LEFT
BANK UP
(CALIFORNIA)**

CAV	CIRCUIT	FUNCTION
1	A243 18YL/VT	OXYGEN SENSOR UPSTREAM RELAY OUTPUT
2	Z11 18BK/WT	GROUND
3	K4 18BK/LB	SENSOR GROUND
4	K141 18TN/WT	OXYGEN SENSOR 1/1 SIGNAL



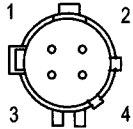
**OXYGEN SENSOR
1/1 UPSTREAM
(A/T EXCEPT 8.0L)**

CAV	CIRCUIT	FUNCTION
1	A141 18DG/WT	AUTOMATIC SHUT DOWN RELAY OUTPUT
2	Z11 18BK/WT	GROUND
3	K4 18BK/LB	SENSOR GROUND
4	K141 18TN/WT	OXYGEN SENSOR 1/1 SIGNAL



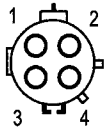
**OXYGEN SENSOR
1/1 UPSTREAM
(M/T EXCEPT 8.0L)**

CAV	CIRCUIT	FUNCTION
1	A141 18DG/WT	AUTOMATIC SHUT DOWN RELAY OUTPUT
2	Z11 18BK/WT	GROUND
3	K4 18BK/LB	SENSOR GROUND
4	K141 18TN/WT	OXYGEN SENSOR 1/1 SIGNAL



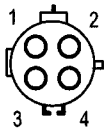
**OXYGEN SENSOR
1/2 DOWNSTREAM
(3.9L/5.2L)**

CAV	CIRCUIT	FUNCTION
1	A141 18DG/WT	AUTOMATIC SHUT DOWN RELAY OUTPUT
2	Z11 18BK/WT	GROUND
3	K4 18BK/LB	SENSOR GROUND
4	K341 18OR/BK	OXYGEN SENSOR 1/2 SIGNAL



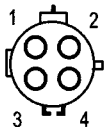
**OXYGEN SENSOR
1/2 LEFT
BANK DOWN
(CALIFORNIA)**

CAV	CIRCUIT	FUNCTION
1	A341 18DG/YL	OXYGEN SENSOR DOWNSTREAM RELAY OUTPUT
2	Z11 18BK/WT	GROUND
3	K4 18BK/LB	SENSOR GROUND
4	K341 18OR/BK	OXYGEN SENSOR 1/2 SIGNAL



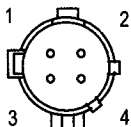
**OXYGEN SENSOR
1/2 PRE-
CATALYST
(8.0L)**

CAV	CIRCUIT	FUNCTION
1	A141 18DG/WT	AUTOMATIC SHUT DOWN RELAY OUTPUT
2	Z11 18BK/WT	GROUND
3	K4 18BK/LB	SENSOR GROUND
4	K141 18LG/RD	OXYGEN SENSOR 1/2 SIGNAL



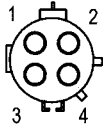
**OXYGEN SENSOR
1/3 POST
CATALYST
(8.0L)**

CAV	CIRCUIT	FUNCTION
1	A141 18DG/WT	AUTOMATIC SHUT DOWN RELAY OUTPUT
2	Z11 18BK/WT	GROUND
3	K4 18BK/LB	SENSOR GROUND
4	K341 18OR/BK	OXYGEN SENSOR 1/3 SIGNAL



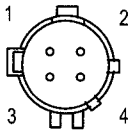
**OXYGEN SENSOR
2/1 RIGHT
BANK UP
(5.9L HD)**

CAV	CIRCUIT	FUNCTION
1	A141 18DG/WT	AUTOMATIC SHUT DOWN RELAY OUTPUT
2	Z11 18BK/WT	GROUND
3	K4 18BK/LB	SENSOR GROUND
4	K241 18LG/RD	OXYGEN SENSOR 2/1 SIGNAL



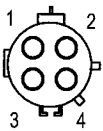
**OXYGEN SENSOR
2/1 RIGHT
BANK UP
(8.0L)**

CAV	CIRCUIT	FUNCTION
1	A141 18DG/WT	AUTOMATIC SHUT DOWN RELAY OUTPUT
2	Z11 18BK/WT	GROUND
3	K4 18BK/LB	SENSOR GROUND
4	K241 18LG/RD	OXYGEN SENSOR 2/1 SIGNAL



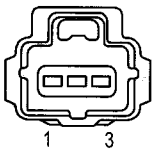
**OXYGEN SENSOR
2/1 RIGHT
BANK UP
(CALIFORNIA)**

CAV	CIRCUIT	FUNCTION
1	A243 18YL/VT	OXYGEN SENSOR UPSTREAM RELAY OUTPUT
2	Z11 18BK/WT	GROUND
3	K4 18BK/LB	SENSOR GROUND
4	K241 18LG/RD	OXYGEN SENSOR 2/1 SIGNAL



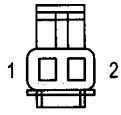
**OXYGEN SENSOR
2/2 RIGHT
BANK DOWN
(CALIFORNIA)**

CAV	CIRCUIT	FUNCTION
1	A341 18DG/YL	OXYGEN SENSOR DOWNSTREAM RELAY OUTPUT
2	Z11 18BK/WT	GROUND
3	K4 18BK/LB	SENSOR GROUND
4	K441 18OR/TN	OXYGEN SENSOR 2/2 SIGNAL



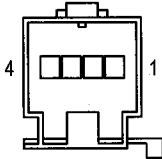
**PARK/NEUTRAL
POSITION SWITCH
(A/T)**

CAV	CIRCUIT	FUNCTION
1	L10 18BR/LG	FUSED IGNITION SWITCH OUTPUT (RUN)
2	T41 18BK/WT	PARK/NEUTRAL POSITION SWITCH SENSE
3	L1 18VT/BK	BACK-UP LAMP FEED



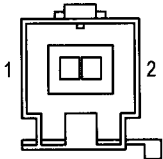
PASSENGER AIRBAG

CAV	CIRCUIT	FUNCTION
1	R42 18BK/YL	PASSENGER AIRBAG LINE 1
2	R44 18DG/YL	PASSENGER AIRBAG LINE 2



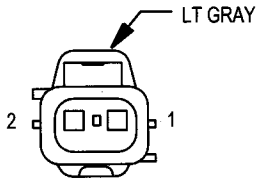
PASSENGER AIRBAG ON/OFF SWITCH - C1

CAV	CIRCUIT	FUNCTION
1	R142 18BR/YL	PASSENGER AIRBAG LINE 1
2	R144 18VT/YL	PASSENGER AIRBAG LINE 2
3	R42 18BK/YL	PASSENGER AIRBAG LINE 1
4	R44 18DG/YL	PASSENGER AIRBAG LINE 2



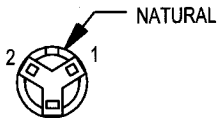
PASSENGER AIRBAG ON/OFF SWITCH - C2

CAV	CIRCUIT	FUNCTION
1	F14 18LG/YL	FUSED IGNITION SWITCH OUTPUT (ST-RUN)
2	Z6 18BK/PK	GROUND



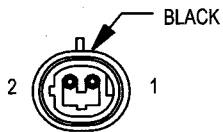
PASSENGER CYLINDER LOCK SWITCH

CAV	CIRCUIT	FUNCTION
1	Z2 20BK/LG	GROUND
2	G73 20LG/OR	DOOR KEY CYLINDER SWITCH SENSE



PASSENGER DOOR JAMB SWITCH

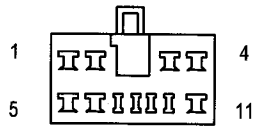
CAV	CIRCUIT	FUNCTION
1	Z2 18BK/LG	GROUND
2	M22 18WT	● ILLUMINATED ENTRY SWITCH SENSE
2	G16 18BK/LB	●● PASSENGER DOOR JAMB SWITCH SENSE



PASSENGER DOOR LOCK MOTOR

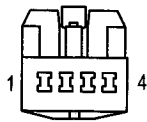
CAV	CIRCUIT	FUNCTION
1	P34 18PK/BK	DOOR UNLOCK DRIVER
2	P33 18OR/BK	DOOR LOCK DRIVER

● IEM
●● CTM



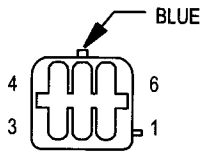
PASSENGER DOOR WINDOW/LOCK SWITCH

CAV	CIRCUIT	FUNCTION
1	Q16 14BR/WT	MASTER WINDOW SWITCH RIGHT FRONT (UP)
2	Q26 14VT/WT	MASTER WINDOW SWITCH RIGHT FRONT (DOWN)
3	Q22 14VT	RIGHT FRONT WINDOW DRIVER (DOWN)
4	Q12 14BR	RF WINDOW DRIVER (UP)
5	F35 18RD	FUSED B(+)
6	P35 18OR/VT	DOOR LOCK SWITCH CONTROL
7	P30 18OR/DG	POWER DOOR LOCK MOTOR B(+) LOCK
8	Z2 14BK/LG	GROUND
9	P31 18PK/DG	POWER DOOR LOCK MOTOR B(+) UNLOCK
10	P36 18PK/VT	DOOR UNLOCK SWITCH CONTROL
11	F21 14TN	FUSED IGNITION SWITCH OUTPUT (RUN)



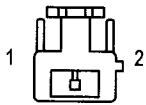
PASSENGER HEATED SEAT MODULE

CAV	CIRCUIT	FUNCTION
1	P130 16TN	RIGHT SEAT HEATER B(+) DRIVER
2	Z2 18BK/LG	GROUND
3	P144 20BK/WT	SEAT TEMPERATURE 5V SUPPLY
4	P142 20DB	RIGHT SEAT TEMPERATURE SENSOR INPUT



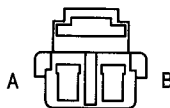
PASSENGER HEATED SEAT SWITCH

CAV	CIRCUIT	FUNCTION
1	P138 20VT/LG	RIGHT SEAT LOW HEAT LED DRIVER
2	E2 22OR	PANEL LAMPS FEED
3	Z3 20BK/OR	GROUND
4	F15 20DB	FUSED IGNITION SWITCH OUTPUT (RUN)
5	P140 20VT/BK	RIGHT SEAT HIGH HEAT LED DRIVER
6	P8 20LB/WT	PASSENGER HEATED SEAT SWITCH



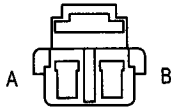
PASSENGER LUMBAR MOTOR

CAV	CIRCUIT	FUNCTION
1	P106 16DG/WT	LUMBAR MOTOR FORWARD
2	P107 16OR/BK	LUMBAR MOTOR REARWARD



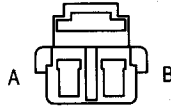
PASSENGER POWER SEAT FRONT VERTICAL MOTOR

CAV	CIRCUIT	FUNCTION
A	P20 16RD/LG	RIGHT POWER SEAT FRONT DOWN
B	P18 16YL/LG	RIGHT POWER SEAT FRONT UP



**PASSENGER POWER
SEAT HORIZONTAL
MOTOR**

CAV	CIRCUIT	FUNCTION
A	P16 16LB	RIGHT POWER SEAT HORIZONTAL REARWARD
B	P14 16YL/LB	RIGHT POWER SEAT HORIZONTAL FORWARD



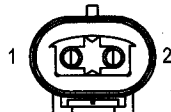
**PASSENGER POWER
SEAT REAR
VERTICAL MOTOR**

CAV	CIRCUIT	FUNCTION
A	P10 16YL/WT	RIGHT POWER SEAT REAR UP
B	P12 16RD/WT	RIGHT POWER SEAT REAR DOWN



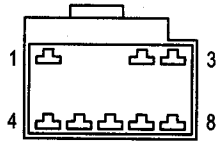
**PASSENGER POWER
SEAT SWITCH
(CLUB CAB)**

CAV	CIRCUIT	FUNCTION
A	F37 16RD/LB	FUSED B(+)
B	Z2 16BK/LG	GROUND
C	P107 16OR/BK	LUMBAR MOTOR REARWARD
D	-	-
E	P10 16YL/WT	RIGHT POWER SEAT REAR UP
F	P106 16DG/WT	LUMBAR MOTOR FORWARD
G	Z2 16BK/LG	GROUND
H	F37 16RD/LB	FUSED B(+)
I	-	-
J	P12 16RD/WT	RIGHT POWER SEAT REAR DOWN
K	P16 16LB	RIGHT POWER SEAT HORIZONTAL FORWARD
L	P14 16YL/LB	RIGHT POWER SEAT HORIZONTAL FORWARD
M	P18 16YL/LG	RIGHT POWER SEAT FRONT UP
N	P20 16RD/LG	RIGHT POWER SEAT FRONT DOWN



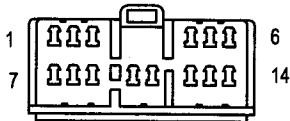
**PASSENGER POWER
WINDOW MOTOR**

CAV	CIRCUIT	FUNCTION
1	Q12 14BR	RF WINDOW DRIVER (UP)
2	Q22 14VT	RIGHT FRONT WINDOW DRIVER (DOWN)



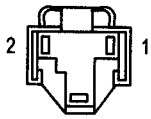
POWER MIRROR SWITCH

CAV	CIRCUIT	FUNCTION
1	P71 22YL	LEFT MIRROR UP DRIVER
2	P75 22DB/WT	LEFT MIRROR LEFT DRIVER
3	P73 22YL/PK	LEFT MIRROR COMMON DRIVER (RIGHT/DOWN)
4	P72 22YL/BK	RIGHT MIRROR UP DRIVER
5	P74 22DB	RIGHT MIRROR LEFT DRIVER
6	P70 22WT	RIGHT MIRROR COMMON DRIVER (RIGHT/DOWN)
7	M1 22PK	FUSED B(+)
8	Z2 20BK/LG	GROUND



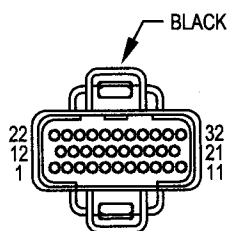
POWER SEAT HEATER CONTROL MODULE

CAV	CIRCUIT	FUNCTION
1	P7 20LB/BK	DRIVER HEATED SEAT SWITCH
2	P144 20BK/WT	SEAT TEMPERATURE 5V SUPPLY
3	P130 16TN	RIGHT SEAT HEATER B(+) DRIVER
4	F235 16RD	B(+) TO HEATED SEAT MODULE
5	P131 16RD/DG	LEFT SEAT HEATER B(+) DRIVER
6	F235 16RD	B(+) TO HEATED SEAT MODULE
7	P142 22DB	RIGHT SEAT TEMPERATURE SENSOR INPUT
8	P141 20TN/LB	LEFT SEAT TEMPERATURE SENSOR INPUT
9	P8 20LB/WT	PASSENGER HEATED SEAT SWITCH
10	P138 20VT/LG	RIGHT SEAT LOW HEAT LED DRIVER
11	P140 20VT/BK	RIGHT SEAT HIGH HEAT LED DRIVER
12	P137 20DG	LEFT SEAT LOW HEAT LED DRIVER
13	Z2 18BK/LG	GROUND
14	P139 20WT	LEFT SEAT HIGH HEAT LED DRIVER



POWER OUTLET

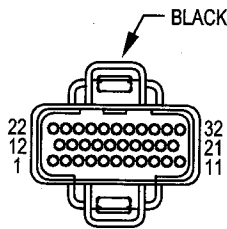
CAV	CIRCUIT	FUNCTION
1	A12 16RD/TN	POWER OUTLET FEED
2	-	-
3	Z3 16BK/OR	GROUND



**POWERTRAIN CONTROL
MODULE - C1
(DIESEL)**

CAV	CIRCUIT	FUNCTION
1	-	-
2	F18 18LG/BK	FUSED IGNITION SWITCH OUTPUT (ST-RUN)
3	-	-
4	K4 18BK/LB	SENSOR GROUND
5	-	-
6	T41 18BK/WT •	PARK/NEUTRAL POSITION SWITCH SENSE
7	-	-
8	K24 18GY/BK	CRANKSHAFT POSITION SENSOR SIGNAL
9	-	-
10	-	-
11	-	-
12	-	-
13	-	-
14	-	-
15	-	-
16	-	-
17	-	-
18	-	-
19	-	-
20	-	-
21	-	-
22	A14 14RD/WT	FUSED B(+)
23	K22 18OR/DB	THROTTLE POSITION SENSOR SIGNAL
24	-	-
25	-	-
26	-	-
27	-	-
28	-	-
29	-	-
30	-	-
31	Z12 14BK/TN	GROUND
32	Z12 14BK/TN	GROUND

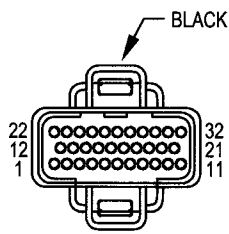
• AT



**POWERTRAIN CONTROL
MODULE - C1
(GAS)**

CAV	CIRCUIT	FUNCTION
1	K32 18YL/GY ●	IGNITION COIL NO. 4 DRIVER
2	F18 18LG/BK	FUSED IGNITION SWITCH OUTPUT (ST-RUN)
3	K18 18RD/BK ●	IGNITION COIL NO. 3 DRIVER
4	K4 18BK/LB	SENSOR GROUND
5	K43 18DG/GY ●	IGNITION COIL NO. 5 DRIVER
6	T41 18BK/WT ●●	PARK/NEUTRAL POSITION SWITCH SENSE
7	K19 16BK/GY ▲	IGNITION COIL NO. 1 DRIVER
7	K19 18BK/GY ●	IGNITION COIL NO. 1 DRIVER
8	K24 18GY/BK	CRANKSHAFT POSITION SENSOR SIGNAL
9	K17 18DB/WT ●	IGNITION COIL NO. 2 DRIVER
10	K60 18YL/BK	IDLE AIR CONTROL NO. 2 DRIVER
11	K40 18BR/WT	IDLE AIR CONTROL NO. 3 DRIVER
12	-	-
13	G113 18OR	PTO SWITCH SENSE
14	-	-
15	K21 18BK/RD	INTAKE AIR TEMPERATURE SENSOR SIGNAL
16	K2 18TN/BK	ENGINE COOLANT TEMPERATURE SENSOR SIGNAL
17	K6 18VT/WT	5V SUPPLY
18	K44 18TN/YL	CAMSHAFT POSITION SENSOR SIGNAL
19	K39 18GY/RD	IDLE AIR CONTROL NO. 1 DRIVER
20	K59 18VT/BK	IDLE AIR CONTROL NO. 4 DRIVER
21	-	-
22	A14 16RD/WT	FUSED B(+)
23	K22 18OR/DB	THROTTLE POSITION SENSOR SIGNAL
24	K141 18TN/WT ▼▲▲	OXYGEN SENSOR 1/1 SIGNAL
24	K41 18BK/DG ■●	OXYGEN SENSOR 1/1 SIGNAL
25	K341 18OR/BK ▼▲▲	OXYGEN SENSOR 1/2 SIGNAL
25	K341 18OR/BK ●	OXYGEN SENSOR 1/3 SIGNAL
26	K241 18LG/RD ▼	OXYGEN SENSOR 2/1 SIGNAL
26	K141 18LG/RD ●	OXYGEN SENSOR 1/2 SIGNAL
26	K241 18LG/RD ■	OXYGEN SENSOR 2/1 SIGNAL
27	K1 18DG/RD	MAP SENSOR SIGNAL
28	-	-
29	K141 18TN/WT ●	OXYGEN SENSOR 2/1 SIGNAL
29	K441 18OR/TN ▼	OXYGEN SENSOR 2/2 SIGNAL
30	-	-
31	Z12 14BK/TN	GROUND
32	Z12 14BK/TN	GROUND

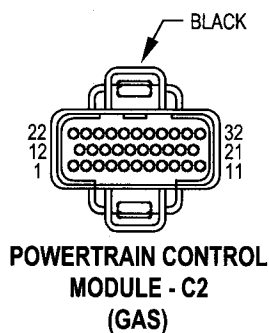
- 8.0L
- A/T
- ▲ 3.9L/5.2L/5.9L
- ▲▲ 3.9L/5.2L
- 5.9L HD
- ▼ CALIFORNIA



**POWERTRAIN CONTROL
MODULE - C2
(DIESEL)**

CAV	CIRCUIT	FUNCTION
1	T54 18VT •	TRANSMISSION TEMPERATURE SENSOR SIGNAL
2	-	-
3	-	-
4	-	-
5	-	-
6	-	-
7	-	-
8	K88 18VT/WT •	GOVERNOR PRESSURE SOLENOID CONTROL
9	-	-
10	K20 18DG	GENERATOR FIELD DRIVER (+)
11	K54 18OR/BK •	TORQUE CONVERTOR CLUTCH SOLENOID CONTROL
12	-	-
13	-	-
14	-	-
15	-	-
16	-	-
17	-	-
18	-	-
19	-	-
20	-	-
21	T60 18BR •	3-4 SHIFT SOLENOID CONTROL
22	-	-
23	-	-
24	-	-
25	T13 18DB/BK	OUTPUT SPEED SENSOR GROUND
26	-	-
27	G7 18WT/OR •	VEHICLE SPEED SENSOR SIGNAL
28	T14 18LG/BK	OUTPUT SPEED SENSOR SIGNAL
29	T25 18LG/WT •	GOVERNOR PRESSURE SENSOR SIGNAL
30	K30 18PK •	TRANSMISSION RELAY CONTROL
31	K7 18OR •	5V SUPPLY
32	-	-

• A/T

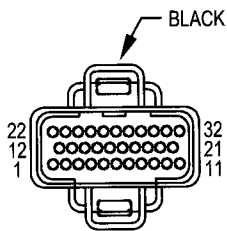


CAV	CIRCUIT	FUNCTION
1	T54 18VT ●	TRANSMISSION TEMPERATURE SENSOR SIGNAL
2	K26 18VT/TN ▲	FUEL INJECTOR NO. 7 DRIVER
3	K115 18TN/BK ■	FUEL INJECTOR NO. 9 DRIVER
4	K11 18WT/DB	FUEL INJECTOR NO. 1 DRIVER
5	K13 18YL/WT	FUEL INJECTOR NO. 3 DRIVER
6	K38 18GY	FUEL INJECTOR NO. 5 DRIVER
7	-	-
8	K88 18VT/WT ●	GOVERNOR PRESSURE SOLENOID CONTROL
9	-	-
10	K20 18DG	GENERATOR FIELD DRIVER (+)
11	K54 18OR/BK	TORQUE CONVERTOR CLUTCH SOLENOID CONTROL
12	K58 18BR/DB	FUEL INJECTOR NO. 6 DRIVER
13	K28 18GY/LB ▲	FUEL INJECTOR NO. 8 DRIVER
14	K116 18WT ■	FUEL INJECTOR NO. 10 DRIVER
15	K12 18TN	FUEL INJECTOR NO. 2 DRIVER
16	K14 18LB/BR	FUEL INJECTOR NO. 4 DRIVER
17	-	-
18	-	-
19	-	-
20	-	-
21	T60 18BR ●	3-4 SHIFT SOLENOID CONTROL
22	-	-
23	G60 18GY/OR	ENGINE OIL PRESSURE SENSOR SIGNAL
24	-	-
25	T13 18DB/BK ●	OUTPUT SPEED SENSOR GROUND
26	-	-
27	G7 18WT/OR ●	VEHICLE SPEED SENSOR SIGNAL
28	T14 18LG/BK ●	OUTPUT SPEED SENSOR SIGNAL
29	T25 18LG/WT ●	GOVERNOR PRESSURE SENSOR SIGNAL
30	K30 18PK ●	TRANSMISSION CONTROL RELAY CONTROL
31	K7 18OR ●	5V SUPPLY
32	-	-

▲ 5.2L/5.9L/8.0L

■ 8.0L

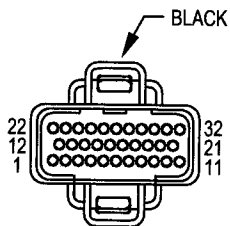
● A/T



**POWERTRAIN CONTROL
MODULE - C3
(DIESEL)**

CAV	CIRCUIT	FUNCTION
1	C13 18DB/OR	A/C COMPRESSOR CLUTCH RELAY CONTROL
2	-	-
3	K51 18DB/YL	AUTOMATIC SHUT DOWN RELAY CONTROL
4	V36 18TN/RD	SPEED CONTROL VACUUM SOLENOID CONTROL
5	V35 18LG/RD	SPEED CONTROL VENT SOLENOID CONTROL
6	-	-
7	-	-
8	-	-
9	-	-
10	-	-
11	V32 18YL/RD	SPEED CONTROL POWER SUPPLY
12	A142 14DG/OR	AUTOMATIC SHUT DOWN RELAY OUTPUT
13	T6 18OR/WT •	TRANSMISSION OVERDRIVE SWITCH SENSE
14	-	-
15	K118 18PK/YL	BATTERY TEMPERATURE SENSOR SIGNAL
16	-	-
17	-	-
18	-	-
19	-	-
20	-	-
21	-	-
22	C20 18BR	A/C SWITCH SENSE
23	C90 18LG/WT	A/C SELECT INPUT
24	V40 18WT/PK	BRAKE SWITCH SENSE
25	T125 18DB	GENERATOR SOURCE
26	K226 18DB/WT	FUEL LEVEL SENSOR SIGNAL
27	D21 18PK/DB	SCI TRANSMIT
28	D2 18WT/BK	CCD BUS (-)
29	D220 18WT/VT	SCI RECEIVE
30	D1 18VT/BR	CCD BUS(+)
31	-	-
32	V37 18RD/LG	SPEED CONTROL SWITCH SIGNAL

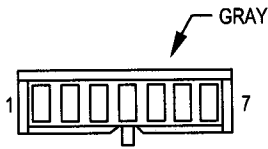
• AT



**POWERTRAIN CONTROL
MODULE - C3
(GAS)**

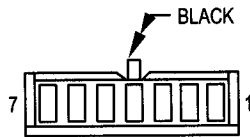
CAV	CIRCUIT	FUNCTION
1	C13 18DB/OR	A/C COMPRESSOR CLUTCH RELAY CONTROL
2	-	-
3	K51 18DB/YL	AUTOMATIC SHUT DOWN RELAY CONTROL
4	V36 18TN/RD	SPEED CONTROL VACUUM SOLENOID CONTROL
5	V35 18LG/RD	SPEED CONTROL VENT SOLENOID CONTROL
6	-	-
7	-	-
8	K143 18PK/VT ▲	OXYGEN SENSOR UPSTREAM RELAY CONTROL
9	K145 18DG/PK ▲	OXYGEN SENSOR DOWNSTREAM RELAY CONTROL
10	K106 18WT/DG	LEAK DETECTION PUMP SOLENOID CONTROL
11	V32 18YL/RD	SPEED CONTROL POWER SUPPLY
12	A142 14DG/OR	AUTOMATIC SHUT DOWN RELAY OUTPUT
13	T6 18OR/WT ●	OVERDRIVE OFF SWITCH SENSE
14	K107 18OR	LEAK DETECTION PUMP SWITCH SENSE
15	K118 18PK/YL	BATTERY TEMPERATURE SENSOR SIGNAL
16	-	-
17	-	-
18	-	-
19	K31 18BR/WT	FUEL PUMP RELAY CONTROL
20	K52 18PK/WT	EVAPORATIVE EMISSION SOLENOID CONTROL
21	-	-
22	C20 18BR	A/C SWITCH SENSE
23	C90 18LG/WT	A/C SELECT INPUT
24	V40 18WT/PK	BRAKE SWITCH SENSE
25	T125 18DB	GENERATOR SOURCE
26	K226 18DB/WT	FUEL LEVEL SENSOR SIGNAL
27	D21 18PK/DB	SCI TRANSMIT
28	D2 18WT/BK	CCD BUS(-)
29	D20 18DG	SCI RECIEVE
30	D1 18VT/BR	CCD BUS (+)
31	-	-
32	V37 18RD/LG	SPEED CONTROL SWITCH SIGNAL

● A/T
▲ CALIFORNIA



RADIO - C1

CAV	CIRCUIT	FUNCTION
1	-	-
2	X55 18BR/RD	LEFT FRONT DOOR SPEAKER (-)
3	X56 18DB/RD	RIGHT FRONT DOOR SPEAKER (-)
4	E17 18YL/BK	DAY BRIGHTNESS SENSE
5	E2 22OR	FUSED PANEL LAMPS DIMMER SWITCH SIGNAL
6	X12 16RD/WT	FUSED IGNITION SWITCH OUTPUT (RUN-ACC)
7	M1 22PK	FUSED B(+)



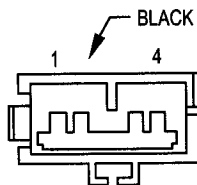
RADIO - C2

CAV	CIRCUIT	FUNCTION
1	X16 22LG	POWER ANTENNA RELAY OUTPUT
2	X51 18BRYL	LEFT REAR SPEAKER (+)
3	X52 18DB/WT	RIGHT REAR SPEAKER (+)
4	X53 18DG	LEFT FRONT DOOR SPEAKER (+)
5	X54 18VT	RIGHT FRONT DOOR SPEAKER (+)
6	X57 18BR/LB	LEFT REAR SPEAKER (-)
7	X58 18DB/OR	RIGHT REAR SPEAKER (-)



RADIO - C3

CAV	CIRCUIT	FUNCTION
1	D1 20VT/BR	CCD BUS (+)
2	D2 20WT/BK	CCD BUS (-)

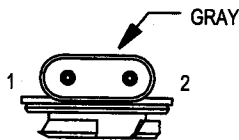
RADIO CHOKE
RELAY

CAV	CIRCUIT	FUNCTION
1	X60 16DG/RD	FUSED IGNITION SWITCH OUTPUT (RUN-ACC)
2	X13 16BK/RD	RADIO CHOKE RELAY OUTPUT
3	X16 22LG	POWER ANTENNA RELAY OUTPUT
4	Z9 16BK/VT	GROUND



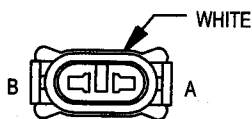
**REAR WHEEL
SPEED SENSOR
(ABS)**

CAV	CIRCUIT	FUNCTION
1	B114 20WT/VT	REAR WHEEL SPEED SENSOR (-)
2	B113 20RD/VT	REAR WHEEL SPEED SENSOR (+)



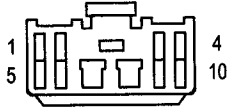
**RIGHT
BACK-UP LAMP**

CAV	CIRCUIT	FUNCTION
1	Z13 18BK	GROUND
2	L1 18VT/BK	BACK-UP LAMP FEED



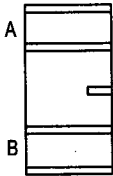
**RIGHT FOG
LAMP**

CAV	CIRCUIT	FUNCTION
A	L34 20RD/OR	FUSED B(+)
B	L39 20LB	FOG LAMP SWITCH OUTPUT



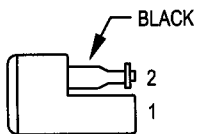
**RIGHT FRONT
DOOR SPEAKER
(PREMIUM)**

CAV	CIRCUIT	FUNCTION
1	X82 20LB/RD	AMPLIFIED HIGH RIGHT FRONT SPEAKER (+)
2	X80 20LB/BK	AMPLIFIED HIGH RIGHT FRONT SPEAKER (-)
3	X54 18VT	RIGHT FRONT SPEAKER (+)
4	X56 18DB/RD	RIGHT FRONT SPEAKER (-)
5	X92 18TN/BK	AMPLIFIED LOW RIGHT REAR SPEAKER (-)
6	X94 18TN/VT	AMPLIFIED LOW RIGHT REAR SPEAKER (+)
7	X13 16BK/RD	RADIO CHOKE RELAY OUTPUT
8	Z9 16BK/VT	GROUND
9	X52 18DB/WT	RIGHT REAR SPEAKER (+)
10	X58 18DB/OR	RIGHT REAR SPEAKER (-)



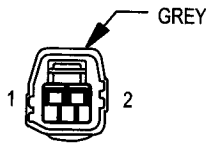
**RIGHT FRONT
DOOR SPEAKER
(STANDARD)**

CAV	CIRCUIT	FUNCTION
A	X56 20DB/RD	RIGHT FRONT SPEAKER (-)
B	X54 20VT	RIGHT FRONT SPEAKER (+)



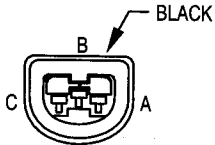
**RIGHT FRONT
FENDER LAMP
(DUAL REAR WHEELS)**

CAV	CIRCUIT	FUNCTION
1	L7 18BK/YL	HEADLAMP SWITCH OUTPUT
2	Z13 18BK	GROUND



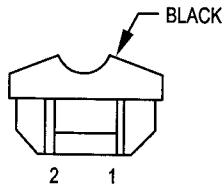
RIGHT FRONT WHEEL SPEED SENSOR

CAV	CIRCUIT	FUNCTION
1	B6 20WT/DB	RIGHT FRONT WHEEL SPEED SENSOR (-)
2	B7 20WT	RIGHT FRONT WHEEL SPEED SENSOR (+)



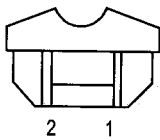
RIGHT HEADLAMP

CAV	CIRCUIT	FUNCTION
A	L45 18PK/RD	FUSED B(+)
B	-	-
C	L33 18LG/BR	HIGH BEAM HEADLAMP DRIVER



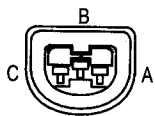
RIGHT LICENSE LAMP

CAV	CIRCUIT	FUNCTION
1	L7 18BK/YL	PARK LAMP RELAY OUTPUT
2	Z13 18BK	GROUND



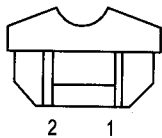
RIGHT OUTBOARD CLEARANCE LAMP

CAV	CIRCUIT	FUNCTION
1	L7 18BK/YL	HEADLAMP SWITCH OUTPUT
2	Z4 18BK	GROUND



RIGHT OUTBOARD HEADLAMP

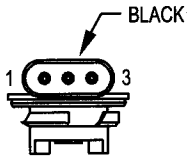
CAV	CIRCUIT	FUNCTION
A	L4 16VT/WT ▲	DIMMER SWITCH LOW BEAM OUTPUT
A	L44 18VT/RD ■	FUSED B(+)
B	L4 16VT/WT ■	DIMMER SWITCH LOW BEAM OUTPUT
B	L44 18VT/RD ▲	FUSED B(+)
C	L3 16RD/OR	DIMMER SWITCH HIGH BEAM OUTPUT



RIGHT OUTBOARD IDENTIFICATION LAMP

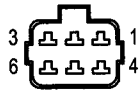
CAV	CIRCUIT	FUNCTION
1	L7 18BK/YL	HEADLAMP SWITCH OUTPUT
2	Z4 18BK	GROUND

- ▲ QUAD HEADLAMP
- EXCEPT QUAD HEADLAMP



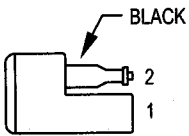
**RIGHT PARK/
TURN SIGNAL
LAMP**

CAV	CIRCUIT	FUNCTION
1	Z1 18BK	GROUND
2	L7 18BK/YL	PARK LAMP REALY OUTPUT
3	L60 18LG/TN	RIGHT TURN SIGNAL



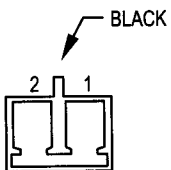
**RIGHT POWER
MIRROR**

CAV	CIRCUIT	FUNCTION
1	P72 20YL/BK	RIGHT MIRROR UP DRIVER
2	P74 20DB	RIGHT MIRROR LEFT DRIVER
3	P70 20WT	RIGHT MIRROR COMMON DRIVER (RIGHT/DOWN)
4	C16 20LB/YL	HEATED MIRROR
5	Z2 20BK/LG	GROUND
6	-	



**RIGHT REAR
FENDER LAMP
(DUAL REAR WHEELS)**

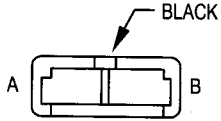
CAV	CIRCUIT	FUNCTION
1	L7 18BK/YL	HEADLAMP SWITCH OUTPUT
2	Z13 18BK	GROUND



**RIGHT REAR
SPEAKER
(PREMIUM)**

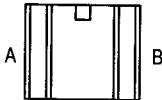
CAV	CIRCUIT	FUNCTION
1	X57 18BR/LB	● AMPLIFIED LOW RIGHT REAR SPEAKER (-)
1	X92 18TN/BK	●● AMPLIFIED LOW RIGHT REAR SPEAKER (-)
2	X51 18BR/YL	● AMPLIFIED LOW RIGHT REAR SPEAKER (+)
2	X94 18TN/VT	●● AMPLIFIED LOW RIGHT REAR SPEAKER (+)

- 4 DOOR
- 2 DOOR



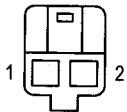
**RIGHT REAR
SPEAKER
(STANDARD 2 DOOR)**

CAV	CIRCUIT	FUNCTION
A	X58 18DB/OR	RIGHT REAR SPEAKER (-)
B	X52 18DB/WT	RIGHT REAR SPEAKER (+)



**RIGHT REAR
SPEAKER
(STANDARD 4 DOOR)**

CAV	CIRCUIT	FUNCTION
A	X57 18BR/LB	RIGHT REAR SPEAKER (-)
B	X51 18BR/YL	RIGHT REAR SPEAKER (+)



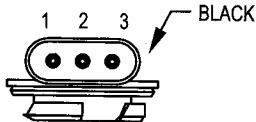
**RIGHT REMOTE
RADIO SWITCH**

CAV	CIRCUIT	FUNCTION
1	Z2 22BK/LG	GROUND
2	X20 22RD/BK	RADIO CONTROL MUX



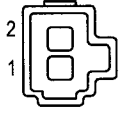
**RIGHT SPEED
CONTROL SWITCH**

CAV	CIRCUIT	FUNCTION
1	K4 22WT	SENSOR GROUND
2	V37 22DG/RD	SPEED CONTROL SWITCH SIGNAL



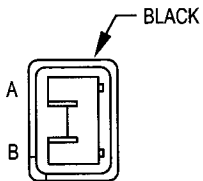
**RIGHT TAIL/
STOP/TURN
SIGNAL LAMP**

CAV	CIRCUIT	FUNCTION
1	Z13 18BK	GROUND
2	L7 18BK/YL	PARK LAMP RELAY OUTPUT
3	L62 18DG/BR	RIGHT TURN SIGNAL



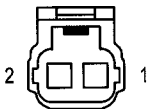
**RIGHT TWEETER
(PREMIUM)**

CAV	CIRCUIT	FUNCTION
1	X80 20LB/BK	AMPLIFIED HIGH RIGHT FRONT SPEAKER (-)
2	X82 20LB/RD	AMPLIFIED HIGH RIGHT FRONT SPEAKER (+)



**RIGHT VISOR/VANITY
LAMP**

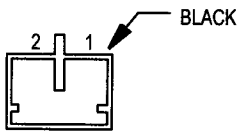
CAV	CIRCUIT	FUNCTION
A	M1 20PK	FUSED B(+)
B	Z4 20BK	GROUND



**SEAT
BELT SWITCH
(CLUB CAB)**

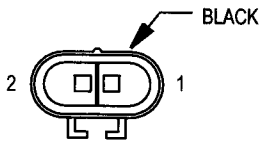
CAV	CIRCUIT	FUNCTION
1	Z2 20BK/LG	GROUND
2	G10 22LG/RD	● SEAT BELT SWITCH SENSE
2	G10 20LG/RD	●● SEAT BELT SWITCH SENSE

- HEATED SEATS
- MANUAL NON-HEATED SEATS



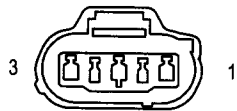
**SEAT BELT SWITCH
(STANDARD CAB)**

CAV	CIRCUIT	FUNCTION
1	G10 20LG/RD	SEAT BELT SWITCH SENSE
2	Z2 20BK/LG	GROUND



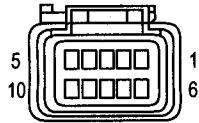
**TAILGATE LAMP
(DUAL REAR WHEELS)**

CAV	CIRCUIT	FUNCTION
1	Z13 18BK	GROUND
2	L7 18BK/YL	HEADLAMP SWITCH OUTPUT



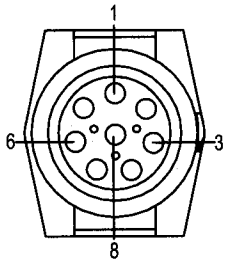
**THROTTLE POSITION SENSOR
(GAS)**

CAV	CIRCUIT	FUNCTION
1	K6 20VT/WT	5V SUPPLY
2	K22 18OR/DB	THROTTLE POSITION SENSOR SIGNAL
3	K4 20BK/LB	SENSOR GROUND



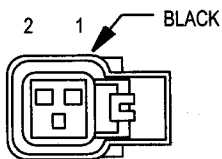
**TRAILER TOW
CONNECTOR**

CAV	CIRCUIT	FUNCTION
1	-	-
2	L62 16BR/RD	RIGHT TURN SIGNAL
3	L1 18VT/BK	BACK-UP LAMP FEED
4	A6 14RD/OR	FUSED B(+)
5	L76 14BK/OR	TRAILER TOW RELAY OUTPUT
6	-	-
7	B40 14LB	TRAILER TOW BRAKE B(+)
8	Z13 14BK	GROUND
9	Z13 14BK	GROUND
10	L63 16DG/RD	LEFT TURN SIGNAL



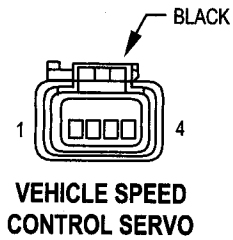
**TRANSMISSION
SOLENOID ASSEMBLY**

CAV	CIRCUIT	FUNCTION
1	T16 18RD	TRANSMISSION CONTROL RELAY OUTPUT
2	K7 18OR	5V SUPPLY
3	K4 18BK/LB	SENSOR GROUND
4	T25 18LG/WT	GOVERNOR PRESSURE SENSOR SIGNAL
5	K88 18VT/WT	GOVERNOR PRESSURE SOLENOID CONTROL
6	T60 18BR	3-4 SHIFT SOLENOID CONTROL
7	K54 18OR/BK	TORQUE CONVERTOR CLUTCH SOLENOID CONTROL
8	T54 18VT	TRANSMISSION TEMPERATURE SENSOR SIGNAL

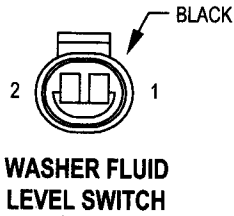


**UNDERHOOD
LAMP**

CAV	CIRCUIT	FUNCTION
1	Z1 20BK	GROUND
2	M1 20PK	FUSED B(+)



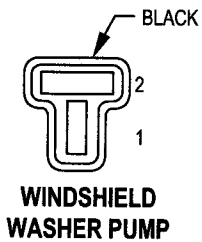
CAV	CIRCUIT	FUNCTION
1	V36 20TN/RD	SPEED CONTROL VACUUM SOLENOID CONTROL
2	V35 20LG/RD	SPEED CONTROL VENT SOLENOID CONTROL
3	V30 20DB/RD	SPEED CONTROL ON/OFF SWITCH OUTPUT
4	Z1 20BK	GROUND



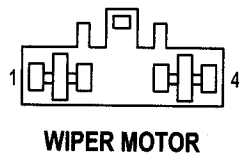
CAV	CIRCUIT	FUNCTION
1	G29 18BK/WT	WASHER FLUID SWITCH SENSE
2	Z1 18BK	GROUND



CAV	CIRCUIT	FUNCTION
A	K104 18BK/LB	B(+)
B	K1 18DG/RD	WATER IN FUEL SENSOR SIGNAL



CAV	CIRCUIT	FUNCTION
1	V10 16BR	WASHER SWITCH SENSE
2	Z1 20BK	GROUND



CAV	CIRCUIT	FUNCTION
1	V4 16RD/YL	WIPER SWITCH HIGH SPEED OUTPUT
2	V5 16DG	WIPER PARK SWITCH SENSE
3	V6 16DB	FUSED IGNITION SWITCH OUTPUT (RUN-ACC)
4	V3 16BR/WT	LOW SPEED WIPER SWITCH OUTPUT

8W-90 CONNECTOR LOCATIONS

DESCRIPTION AND OPERATION

INTRODUCTION

This section provides illustrations identifying component and connector locations in the vehicle. A connector index is provided. Use the wiring diagrams in

each section for connector number identification. Refer to the index for the proper figure number.

CONNECTOR/GROUND LOCATIONS

For items that are not shown in this section, N/S is placed in the Fig. column.

Connector Name/Number	Color	Location	Fig.
4WD Switch	BK	On Front Axle	N/S
A/C Compressor Clutch	BK	Rear of A/C Compressor	4, 5, 6, 8
A/C Heater Control	BK	Center of Instrument Panel	25
A/C Heater Temperature Select	NAT	Center of Instrument Panel	25
A/C High Pressure Switch	BK	At A/C Compressor	4, 5, 6, 8
A/C Low Pressure Switch	BK	Top of A/C Accumulator	1, 2
Accelerator Pedal Position Sensor (Diesel)		Left Front of Engine	10, 11
Aftermarket Trailer Tow Connector			N/S
Airbag Control Module		Center of I. P. at Airbag Control Module	23
Ambient Temperature Sensor	BK	Radiator Left Support	15
Ash Receiver Lamp		Center of Instrument Panel	26
Back-up Lamp Switch	BK	Top of Transmission	13
Battery Temperature Sensor	BK	Below Battery Tray	16
Blend Door Actuator		Center of Instrument Panel	N/S

Connector Name/Number	Color	Location	Fig.
Blower Motor	BK	Bottom Right of Instrument Panel	23, 26
Blower Motor Resistor Block	BK	Bottom Right of Instrument Panel	26
Brake Lamp Switch		Brake Pedal Arm	24
Brake Pressure Switch		At Master Cylinder	14
Bypass Jumper	GN	Top Of Clutch Pedal	27
C105		Rear of Front Bumper	N/S
C106	BK	Rear of Front Bumper	17
C114	BK	Radiator Left Support	15
C125 (Diesel)	BK	Left Rear of Engine Compartment	2
C126 (Diesel)	GY	Left Rear of Engine Compartment	2
C128	BK	Above Left Front Body Cushion	15, 22
C129	BK	Above Left Front Body Cushion	15, 22
C130		At Power Distribution Center	1, 2
C134	BK	Left Cowl	23, 25, 27
C203		Left Cowl	23, 25

DESCRIPTION AND OPERATION (Continued)

Connector Name/Number	Color	Location	Fig.
C205		Instrument Panel Center Support	N/S
C206		Left Cowl	23, 25
C237		Bottom Right of Instrument Panel	23
C303	BK	Below Driver's Seat	18
C308		Center Rear of Headliner	N/S
C329	BK	Below Right Tail Lamp	21
C333	BK	Below Left Tail Lamp	21
C342	BK	Left Rear of Frame	21
C343	BK	Left Rear of Frame	21
C345		Right Door	N/S
C346		Right Door	N/S
C347		Left Door	20
C348		Left Door	20
C352	BK	Left A-Pillar	20
C353	BK	Right A-Pillar	20
C358	NAT	Left Side Instrument Panel	20, 23
C359		Heated Seat To Body Wiring	18
C360		Below Driver's Seat	18
C361		Left Rear Speaker Wiring	N/S
C364		Right Rear Speaker Wiring	N/S
C365		Under Passenger Power Seat	N/S
Camshaft Position Sensor (V6, V8)		Near of Distributor	3
Camshaft Position Sensor (V10)		Front of Engine	6

Connector Name/Number	Color	Location	Fig.
Camshaft Position Sensor (Diesel)		Left Front of Engine	10
Cargo Lamp No. 1	BK	Rear of Lamp	N/S
Cargo Lamp No. 2	BK	Rear of Lamp	N/S
Center High Mounted Stop Lamp No. 1	BK	Rear of Cab	18
Center High Mounted Stop Lamp No. 2	BK	Rear of Cab	18
Center Identification Lamp	BK	Behind Front of Headliner	20
Central Timer Module		Left Side Under Instrument Panel	23, 24
Cigar Lighter	NAT	Center of Instrument Panel	25
Clockspring No.1		Steering Column	24
Clockspring No.2		Steering Column	24
Clockspring No.3		Steering Column	24
Clutch Pedal Position Switch	BK	Top of Clutch Pedal	27
Controller Anti-Lock Brake C1		Left Fender Side Shield	14
Controller Anti-Lock Brake C2		Left Fender Side Shield	14
Crankshaft Position Sensor (V6, V8)		Rear of Engine Block	3
Crankshaft Position Sensor (V10)		Right Side of Engine Block	6
Crankshaft Position Sensor (Diesel)		Left Rear of Engine Block)	10
Cummins Bus (-)		Left Front of Engine	10
Cup Holder Lamp		Center of Instrument Panel	23, 26

DESCRIPTION AND OPERATION (Continued)

Connector Name/Number	Color	Location	Fig.
Data Link Connector	BK	Left Bottom of Instrument Panel	23, 24
Day/Night Mirror	BK	Day/Night Mirror	N/S
Daytime Running Lamp Module	BK	Left Fender Side Shield	14
Dome Lamp		Rear of Cab	18
Driver Airbag	BK	Steering Wheel	N/S
Driver Door Arm/Disarm Switch	BK	In Door	19
Driver Door Jamb Switch	NAT	Door Jamb	19
Driver Door Lock Motor	BK	In Door	19
Driver Door Window/Lock Switch	BL	In Door	19
Driver Heated Seat Module	BL	Under Seat	N/S
Driver Heated Seat Switch	RD	Center of Instrument Panel	N/S
Driver Lumbar Motor		Under Seat	N/S
Driver Power Seat Front Vertical Motor	BK	Under Seat	N/S
Driver Power Seat Horizontal Motor	BK	Under Seat	N/S
Driver Power Seat Rear Vertical Motor		Under Seat	N/S
Driver Power Seat Switch		At Seat	N/S
Driver Power Window Motor		In Door	19
Duty Cycle EVAP/Purge Solenoid	BK	Right Fender Side Shield	17
Electric Brake Provision		Bottom Left of Instrument Panel	N/S
Engine Control Module (Diesel)		Left Side Engine	12

Connector Name/Number	Color	Location	Fig.
Engine Coolant Temperature Sensor (Diesel)	BK	Left Front of Cylinder Head (Diesel)	10
Engine Coolant Temperature Sensor (Gas)	BK	On Thermostat Housing	3, 6
Engine Oil Pressure Sensor (V6, V8)	BK	Near Distributor	3
Engine Oil Pressure Sensor (V10)		Near Oil Filter	6
Engine Oil Pressure Sensor (Diesel)		Left Side of Engine	12
Fuel Heater (Diesel)		Left Side of Engine	10
Fuel Injection Pump (Diesel)		Left Side of Engine, Below ECM	10
Fuel Injector No.1	BK	At Fuel Injector	4, 5
Fuel Injector No. 2	BK	At Fuel Injector	4, 5
Fuel Injector No. 3	BK	At Fuel Injector	4, 5, 6
Fuel Injector No. 4	BK	At Fuel Injector	4, 5, 6
Fuel Injector No. 5	BK	At Fuel Injector	4, 5, 6
Fuel Injector No. 6	BK	At Fuel Injector	4, 5, 6
Fuel Injector No. 7	BK	At Fuel Injector	4, 6
Fuel Injector No. 8	BK	At Fuel Injector	4, 6
Fuel Injector No. 9	BK	At Fuel Injector	6
Fuel Injector No. 10	BK	At Fuel Injector	6
Fuel Transfer Pump (Diesel)		Left Rear of Engine Bottom of Pump	10
G100		Left Fender Side Shield	16
G101		Left Fender Side Shield	16

DESCRIPTION AND OPERATION (Continued)

Connector Name/Number	Color	Location	Fig.
G102		Left Fender Side Shield (RWAL Ground)	N/S
G105		Front of Engine (Engine Ground)	4, 5, 6, 9
G107 (Diesel)		Left Rear of Engine	10
G113 (Diesel)		Primary Battery Engine Ground	N/S
G114		Battery Engine Ground	N/S
G115 (Diesel)		Primary Battery Body Ground	N/S
G116		Battery Frame Ground	N/S
G117 (Diesel)		Auxiliary Battery Engine Ground	N/S
G118 (Diesel)		Primary Frame Ground	N/S
G120 (Diesel)		Auxiliary Battery Body Ground	N/S
G200		Left Cowl	24
G201		Instrument Panel Right Center Support	23, 25
G300		Left Lower Cowl	20
G301		Below Left Rear Speaker	18
G302		At Overhead Console	20
Generator	BK	Front of Engine	7, 8
Glove Box Lamp		At Glove Box	23
Headlamp Switch C1	BK	Left Side of Instrument Panel	23, 26
Headlamp Switch C2		Left Side of Instrument Panel	23, 26
Heated Mirror Switch		Center of Instrument Panel	25
High Note Horn	BK	Front Bumper Right Support	17
Idle Air Control Motor	BK	On Throttle Body	9
Ignition Coil	GY	Right Front of Engine	4, 5, 9

Connector Name/Number	Color	Location	Fig.
Ignition Coil 4 Pack	BK	Right Side of Engine	9
Ignition Coil 6 Pack	BK	Right Side of Engine	9
Ignition Switch C1		Steering Column	24
Ignition Switch C2		Steering Column	24
Instrument Cluster C1		Rear of Instrument Cluster	23
Instrument Cluster C2		Rear of Instrument Cluster	23
Intake Air Heater Relay		Left Fender Side Shield	16
Intake Air Temperature Sensor (Diesel)		Left Rear of Engine	10
Intake Air Temperature Sensor (Gas)	GY	On Intake Manifold	4, 5, 6
Integrated Electronic Module		Left Side of Instrument Panel	24
Joint Connector No. 1		In Power Distribution Center	N/S
Joint Connector No. 2		In Power Distribution Center	N/S
Joint Connector No. 3		Front Bumper Right support	17
Joint Connector No. 4		Left Front Engine Compartment	16
Joint Connector No. 5	NAT	Left Side of Instrument Panel	24
Joint Connector No. 6	NAT	Left Side of Instrument Pane	24
Joint Connector No. 7	NAT	Left Side of Instrument Pane	24
Joint Connector No. 8	NAT	Center of Instrument Panel	23
Junction Block C1	BL	Left Cowl	27

DESCRIPTION AND OPERATION (Continued)

Connector Name/Number	Color	Location	Fig.
Junction Block C2	NAT	Left Cowl	27
Junction Block C3		Left Cowl	20
Junction Block C4	BR	Left Cowl	25
Junction Block C5	GN	Left Cowl	25
Junction Block C6	BK	Left Cowl	25
Junction Block C7	LTGY	Left Cowl	25
Junction Block C8	OR	Left Cowl	25
Junction Block C9	NAT	Left Cowl	25
Leak Detection Pump	BK	Right Fender Side Shield	17
Left Back-Up Lamp	GY	Rear of Lamp	N/S
Left Fog Lamp	BK	Rear of Fog Lamp	N/S
Left Front Door Speaker (Premium)	BK	In Door	19
Left Front Door Speaker (Standard)	BK	In Door	19
Left Front Fender Lamp		On Fender	21
Left Front Wheel Speed Sensor	BK	Left Fender Side Shield	14
Left Headlamp	BK	At Headlamp	N/S
Left License Lamp	BK	At Rear Bumper	21
Left Outboard Clearance Lamp	BK	Behind Front of Headliner	20
Left Outboard Headlamp	BL	At Headlamp	N/S
Left Outboard Identification Lamp	BK	Behind Front of Headliner	20
Left Park/Turn Signal Lamp	BK	At Lamp	N/S
Left Power Mirror	BK	In Door	19
Left Rear Fender Lamp	BK	On Fender	21

Connector Name/Number	Color	Location	Fig.
Left Rear Speaker (Premium)		At B Pillar	18
Left Rear Speaker (Standard)		At B Pillar	18
Left Rear Door Speaker		In Door	18
Left Remote Radio Switch		Steering Wheel	N/S
Left Speed Control Switch		Steering Wheel	N/S
Left Tail/Stop and Turn Signal Lamp	BK	At Rear Bumper	21
Left Tweeter		Left A Pillar	N/S
Left Visor/Vanity Lamp	BK	Left A-Pillar	20
Low Note Horn	BK	Front Bumper Right Support	17
Manifold Absolute Pressure Sensor (V6, V8)	BK	On Throttle Body	4, 5
Manifold Absolute Pressure Sensor (V10)	BK	Top of Intake Manifold	9
Manifold Absolute Pressure Sensor (Diesel)	BK	Rear of Intake Manifold	10
Multi-Function Switch		On Steering Column	24
Overdrive Switch		On Shift Lever Arm	N/S
Overhead Console	BK	Front of Headliner	20
Oxygen Sensor 1/1 Left Bank Up		Left Exhaust Manifold Downpipe	13
Oxygen Sensor 1/1 Upstream		Catalytic Converter Inlet Side	13
Oxygen Sensor 1/2 Downstream		Catalytic Converter Outlet Side	13
Oxygen Sensor 1/2 Left Bank Down		Catalytic Converter Outlet Side	13

DESCRIPTION AND OPERATION (Continued)

Connector Name/Number	Color	Location	Fig.
Oxygen Sensor 1/2 Pre-catalyst		Catalytic Converter Inlet Side	13
Oxygen Sensor 1/3 Post Catalyst		Catalytic Converter Outlet Side	13
Oxygen Sensor 1/3 Post Catalyst		Post Catalyst	13
Oxygen Sensor 2/1 Right Bank Up		Right Exhaust Manifold Downpipe	13
Oxygen Sensor 2/2 Right Bank Down		Catalytic Converter Outlet Side	13
Park/Neutral Position Switch	BK	Left Side of Transmission	13
Passenger Airbag		At Glove Box	23, 26
Passenger Airbag On/Off Switch C1		Lower Right Side of Instrument Panel	23
Passenger Airbag On/Off Switch C2		Lower Right Side of Instrument Panel	23
Passenger Door Arm/Disarm Switch	LTTY	In Door	19
Passenger Door Jamb Switch	NAT	In Door	19
Passenger Door Lock Motor	BK	In Door	19
Passenger Door Window/Lock Switch		In Door	19
Passenger Heated Seat Switch	BL	Center of Instrument Panel	N/S
Passenger Heated Seat Module		Under Seat	N/S
Passenger Lumbar Motor		Under Seat	N/S
Passenger Power Seat Front Vertical Motor		Under Seat	N/S

Connector Name/Number	Color	Location	Fig.
Passenger Power Seat Horizontal Motor		Under Seat	N/S
Passenger Power Seat Rear Vertical Motor		Under Seat	N/S
Passenger Power Seat Switch		At Seat	N/S
Passenger Power Window Motor		In Door	N/S
Power Seat Heater Control Module		Under Seat	N/S
Power Mirror Switch		Driver Door	19
Power Outlet	BK	Center of I. P.	25
Powertrain Control Module C1		Right Rear Engine Compartment	1, 2
Powertrain Control Module C2		Right Rear Engine Compartment	1, 2
Powertrain Control Module C3		Right Rear Engine Compartment	1, 2
Radio Choke Relay	BK	Instrument Panel Center support	23, 25
Radio C1	GY	Rear of Radio	25
Radio C2	BK	Rear of Radio	25
Radio C3	BK	Instrument Panel Center support	25
Rear Wheel Speed Sensor	BK	Left Frame Rail, Near Fuel Tank	21, 22
Right Back-Up Lamp	BK	Rear of Lamp	N/S
Right Fog Lamp	BK	Rear of Fog Lamp	N/S
Right Front Door Speaker(Premium)	BK	In Door	19
Right Front Door Speaker(Standard)	BK	In Door	19
Right Front Fender Lamp		On Fender	21

DESCRIPTION AND OPERATION (Continued)

Connector Name/Number	Color	Location	Fig.
Right Front Wheel Speed Sensor	BK	Right Fender Side Shield	17
Right Headlamp	BL	At Headlamp	N/S
Right License Lamp	BK	At Rear Bumper	21
Right Outboard Clearance Lamp	BK	Behind Front of Headliner	20
Right Outboard Headlamp		At Headlamp	N/S
Right Outboard Identification Lamp	BK	Behind Front of Headliner	20
Right Park/Turn Signal Lamp	BK	At Lamp	N/S
Right Power Mirror	BK	In Door	19
Right Rear Fender Lamp		On Fender	21
Right Rear Speaker		Bottom of Right B Pillar	18
Right Remote Radio Switch		Steering Wheel	N/S
Right Speed Control Switch		Steering Wheel	N/S
Right Tail/Stop and Turn Signal Lamp	BK	At Rear Bumper	21
Right Tweeter		Right A Pillar	N/S
Right Visor/Vanity Lamp	BK	Right A-Pillar	20

Connector Name/Number	Color	Location	Fig.
Seat Belt Switch		Above Left Rear Speaker	18
Tailgate Lamp		On Tailgate	21
Throttle Position Sensor		Throttle Body	4, 5, 9
Trailer Tow Connector	BK	On Trailer Hitch	21
Transmission Output Shaft Speed Sensor	BK	Left Side of Transmission	13
Transmission Solenoid Assembly	BK	Side of Transmission	13
Under Hood Lamp	BK	Underside of Hood	15
Vehicle Speed Control Servo	BK	Below Battery	16
Washer Fluid Level Switch		At Reservoir	N/S
Water In Fuel Sensor	BK	Bottom of Fuel Filter/Water Separator	10
Windshield Washer Pump	BK	Bottom of Washer Fluid Reservoir	16
Wiper Motor	BK	Center Rear Engine Compartment	14

DESCRIPTION AND OPERATION (Continued)

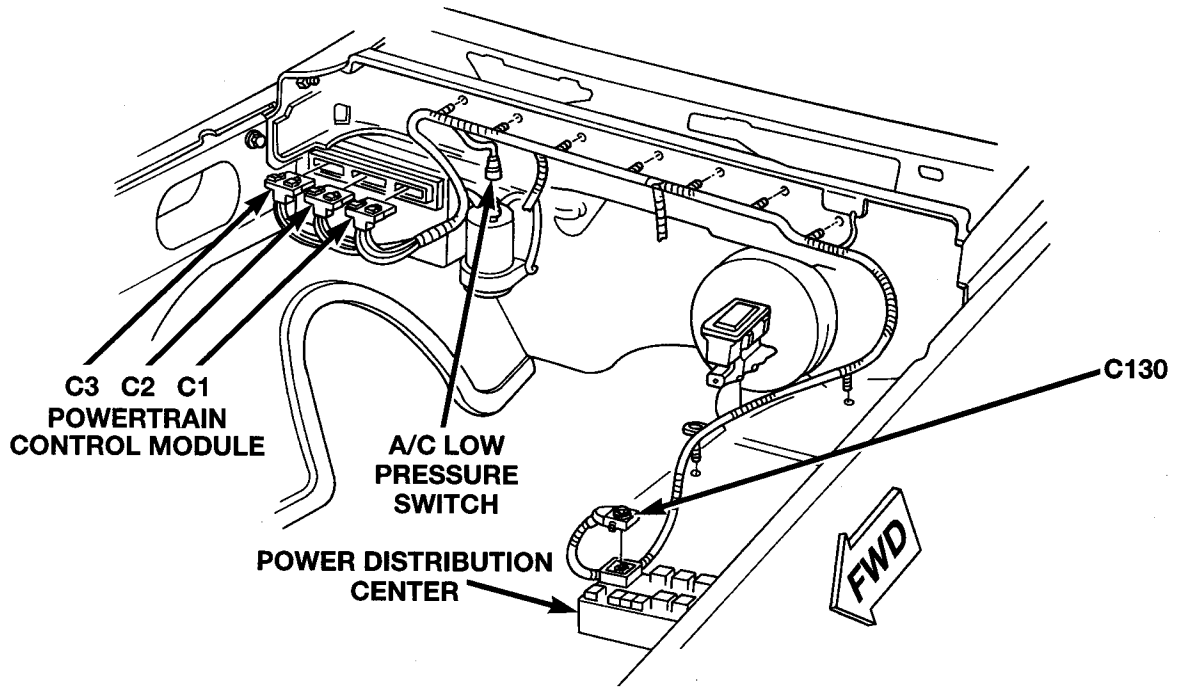


Fig. 1 Engine Compartment (Gas Engines)

80b46c29

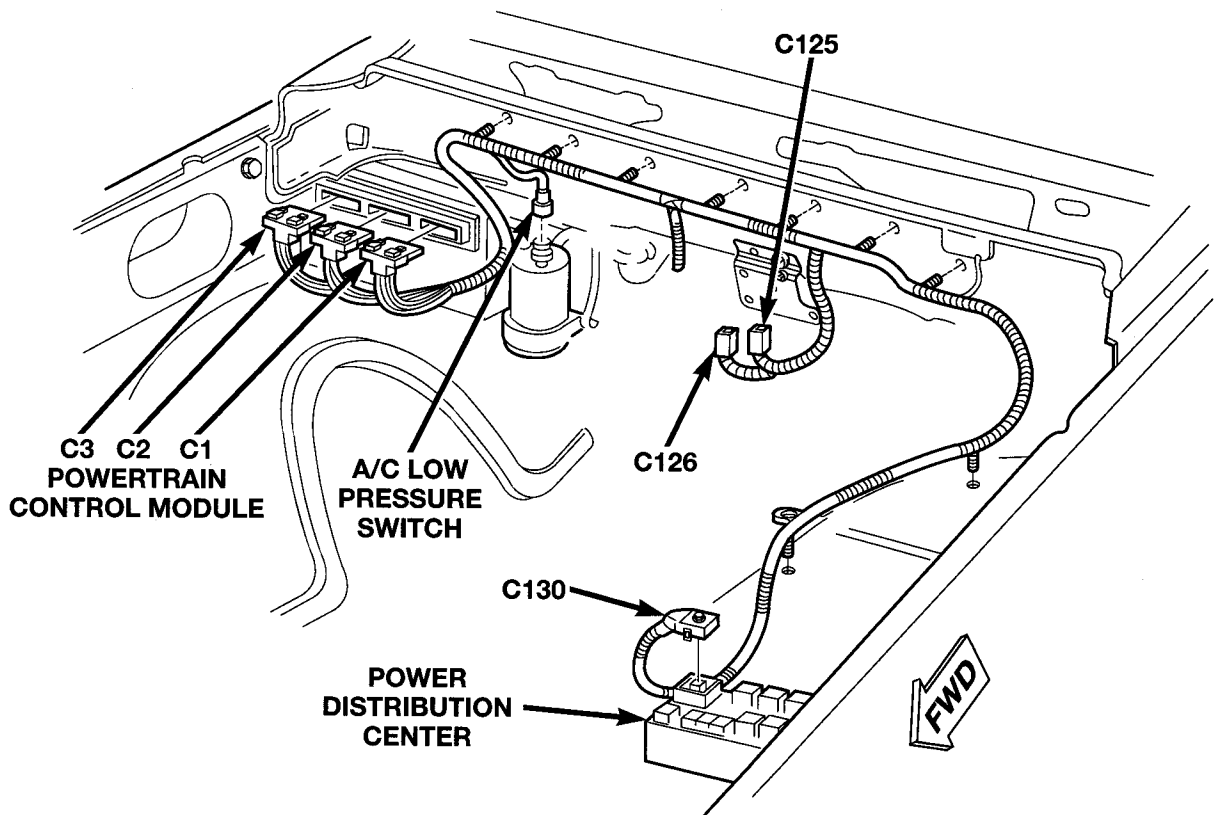


Fig. 2 Engine Compartment (Diesel Engine)

80b46c31

DESCRIPTION AND OPERATION (Continued)

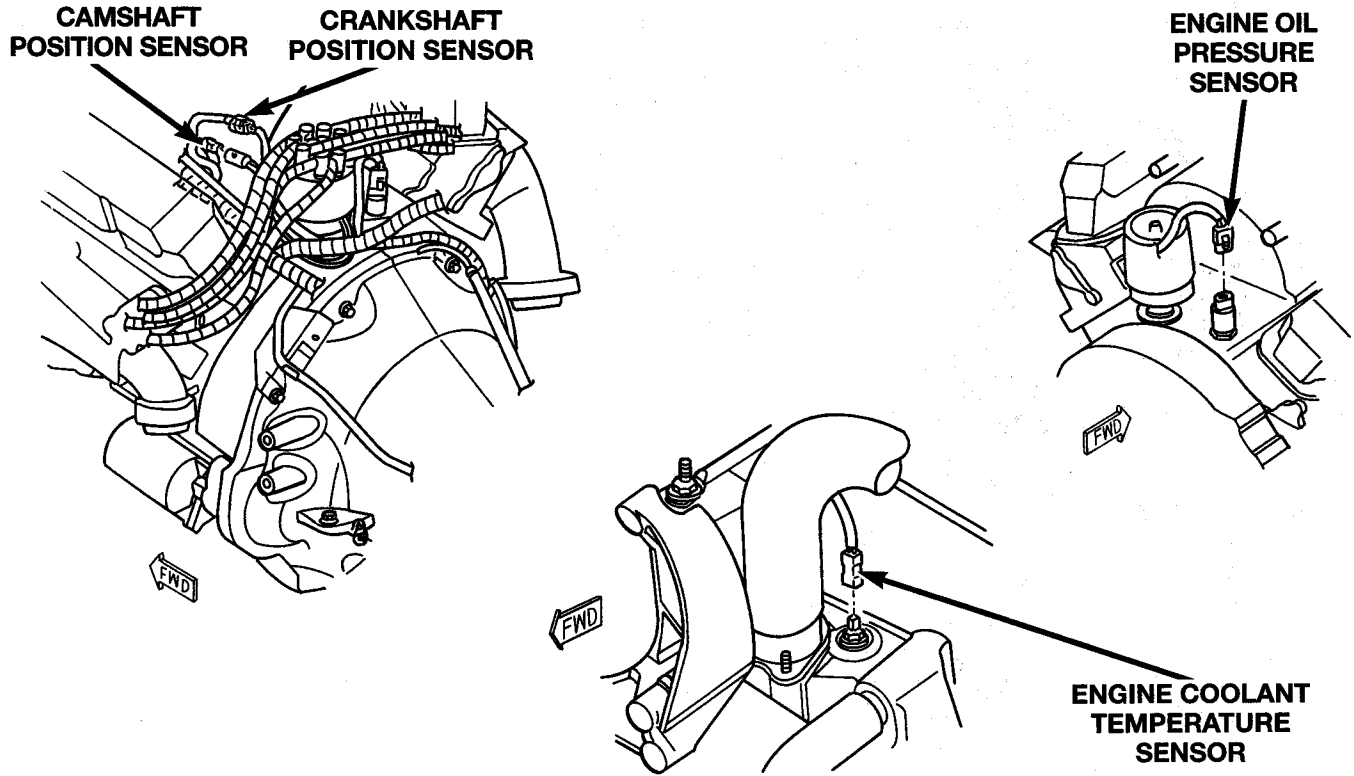
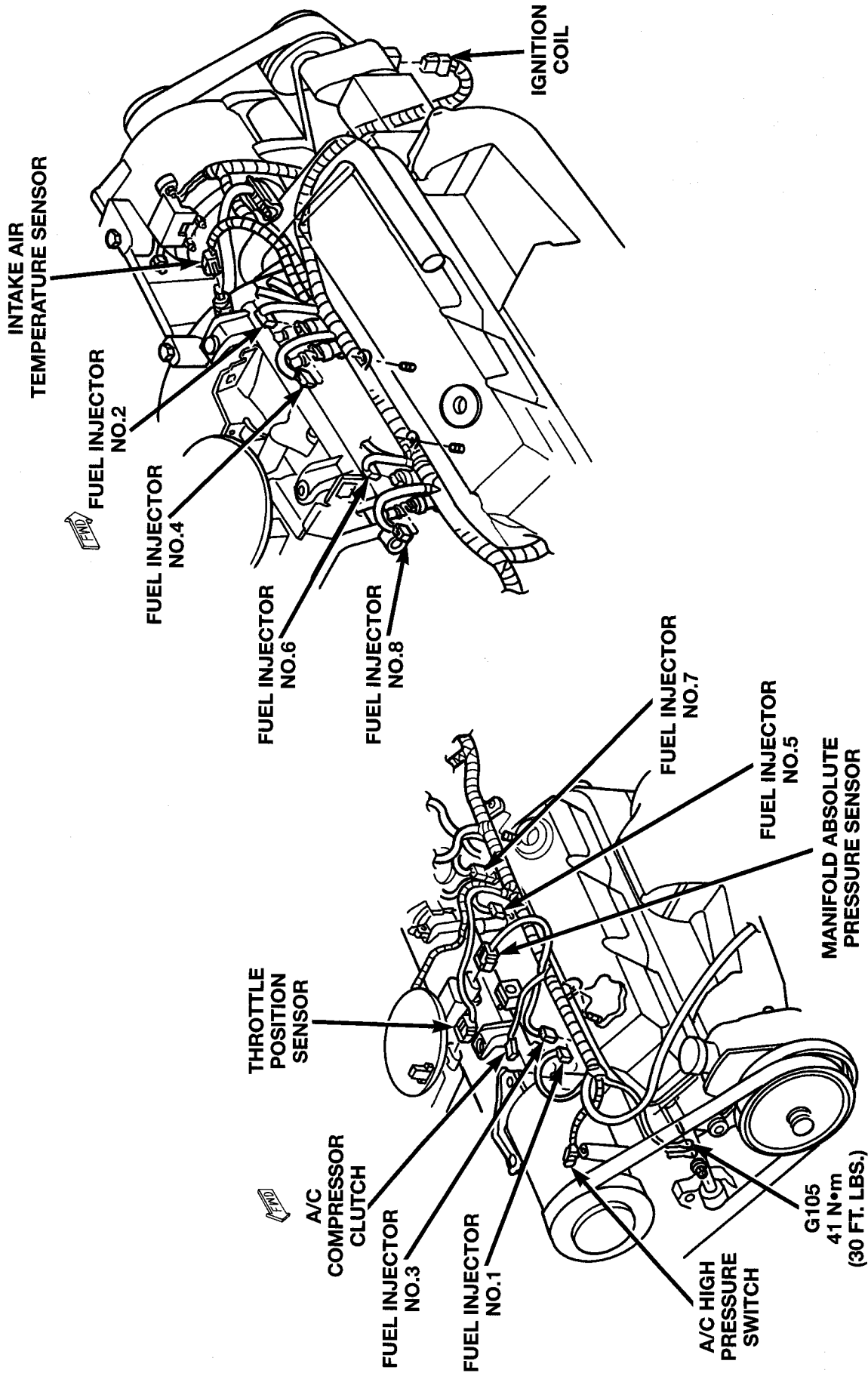


Fig. 3 3.9-5.2-5.9 Liter Engines

80be47b1

DESCRIPTION AND OPERATION (Continued)



80bf668a

Fig. 4 5.2-5.9 Liter Engines

DESCRIPTION AND OPERATION (Continued)

80b6968b

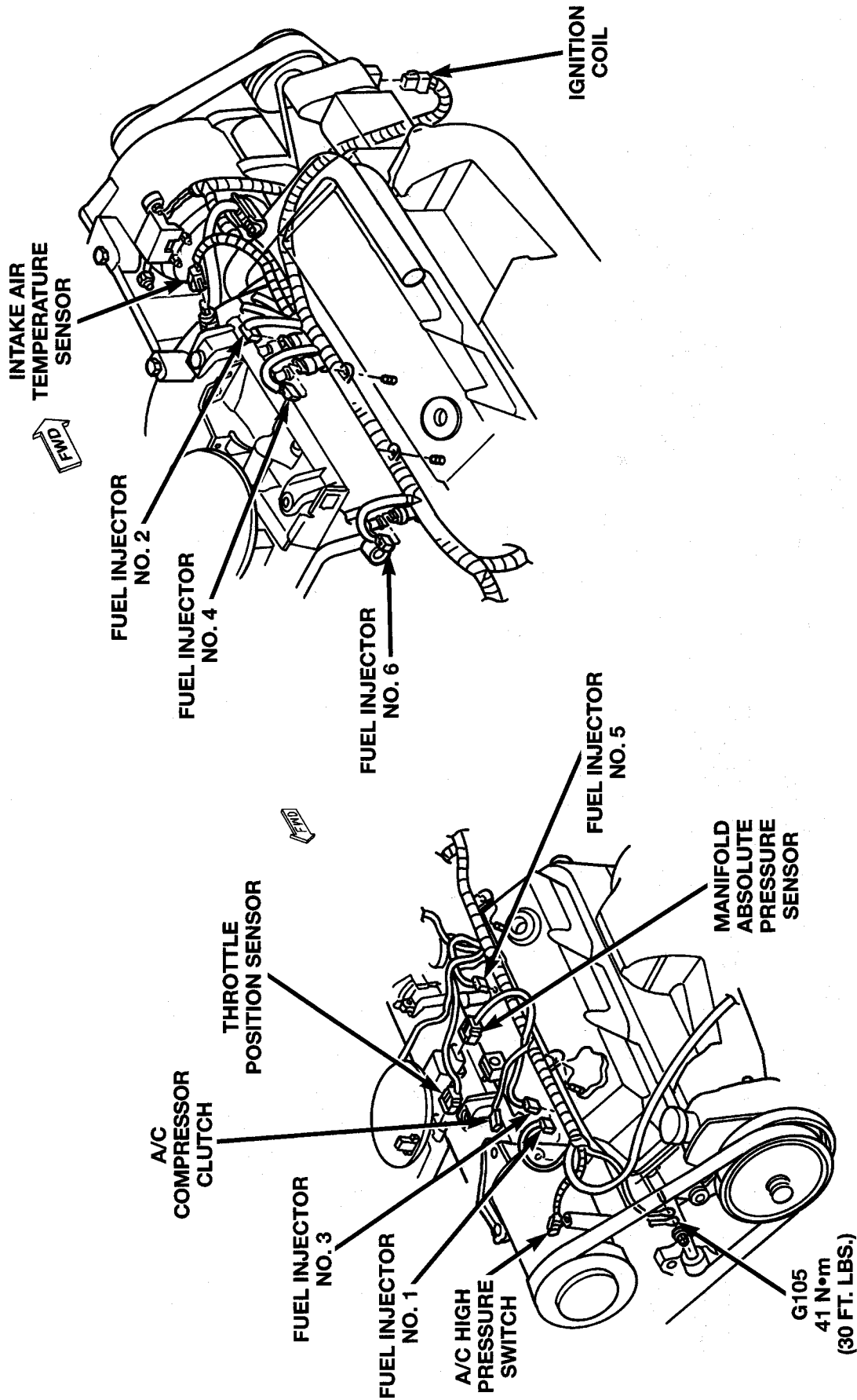
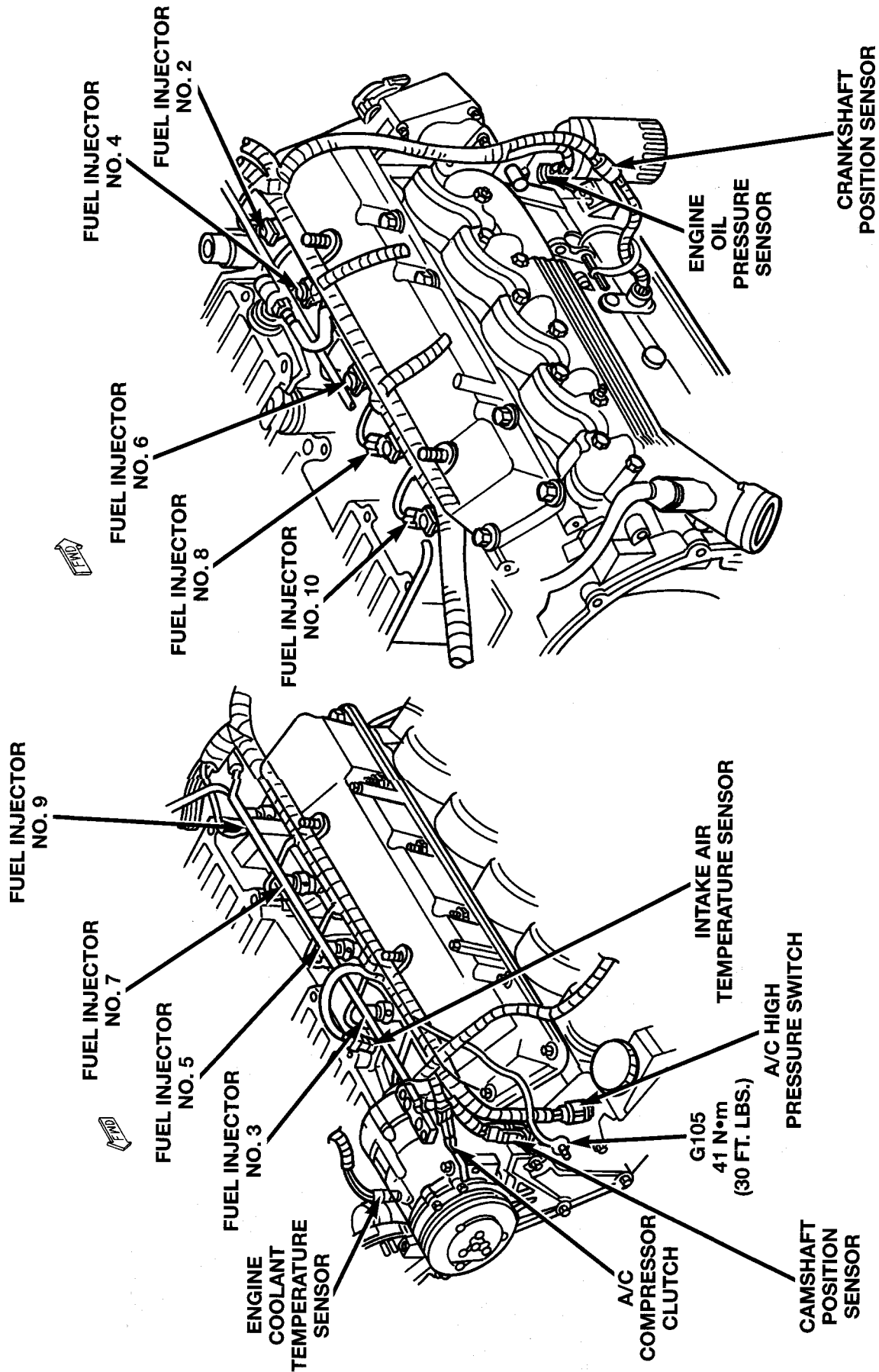


Fig. 5 3.9 Liter Engine

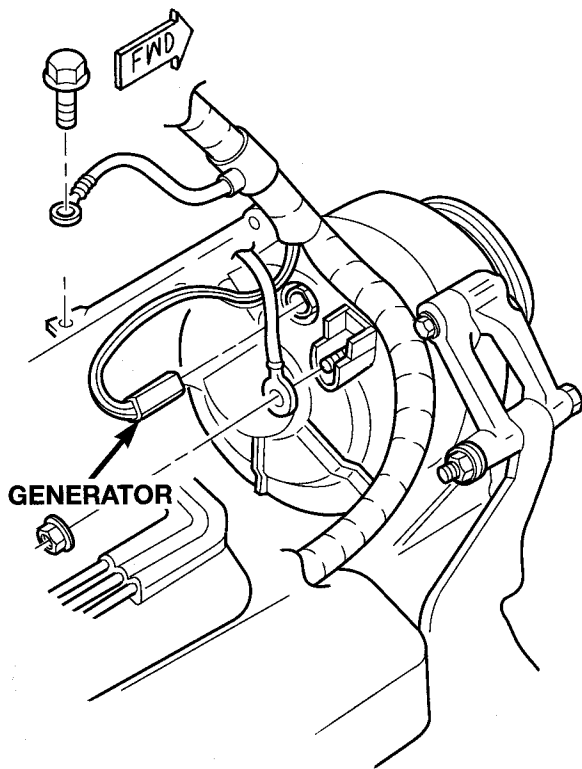
DESCRIPTION AND OPERATION (Continued)



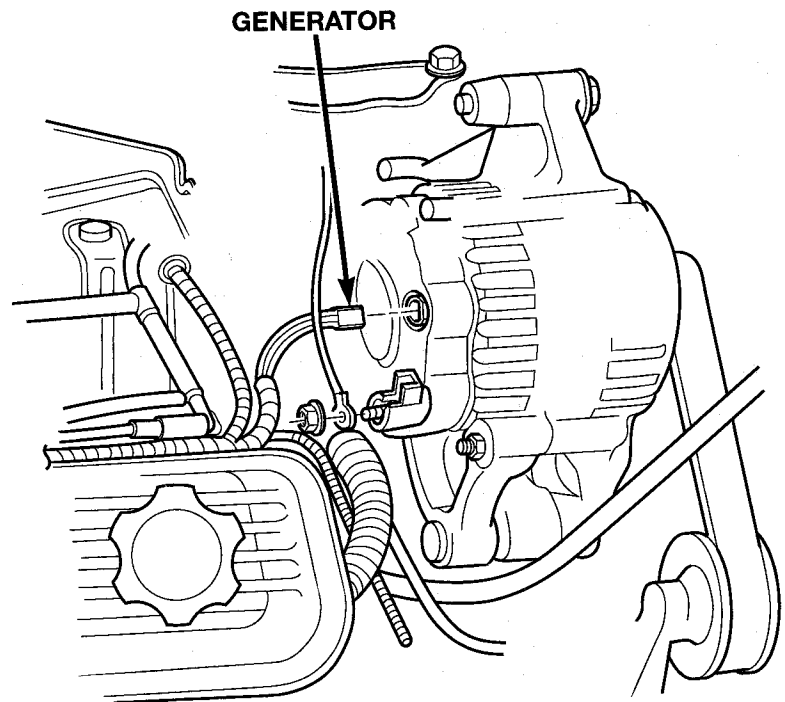
80bf968c

Fig. 6 8.0 Liter Engine

DESCRIPTION AND OPERATION (Continued)



8.0 LITER ENGINE



3.9-5.2-5.9 LITER ENGINE

Fig. 7 Generator (Gas Engine)

80be47b2

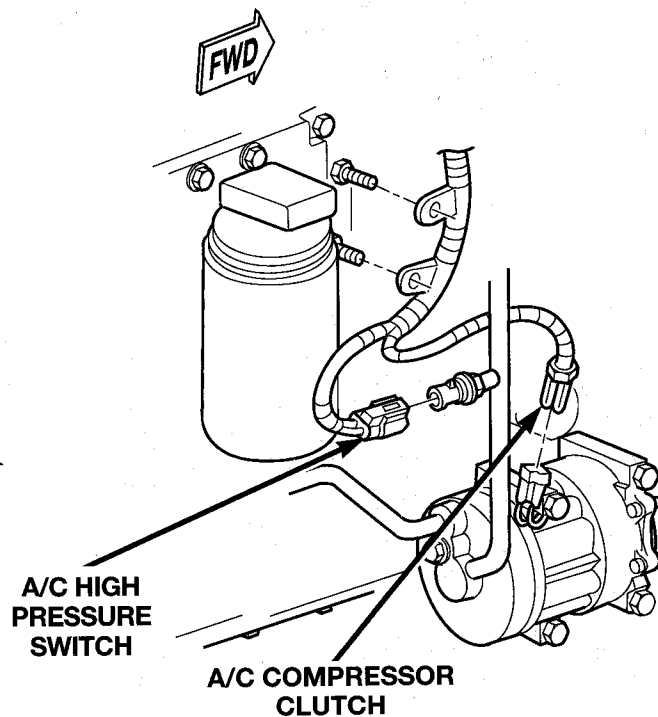
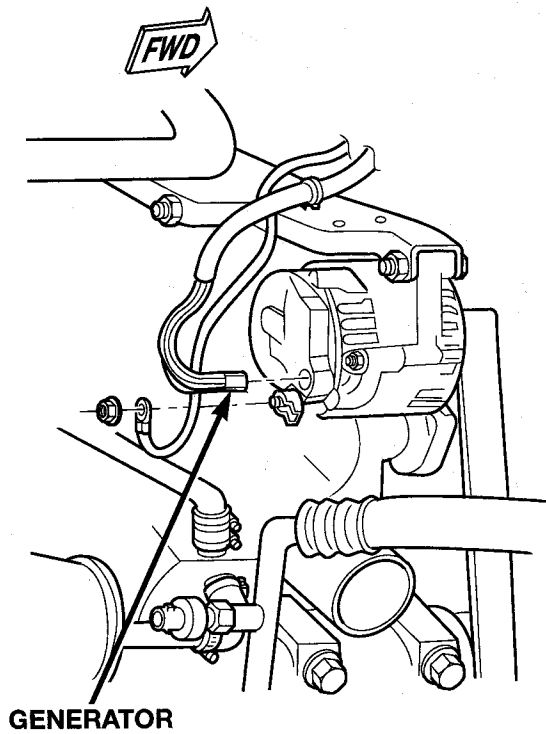
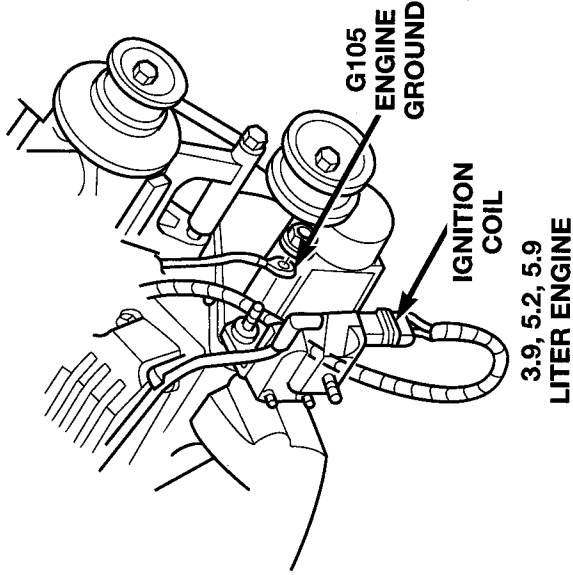
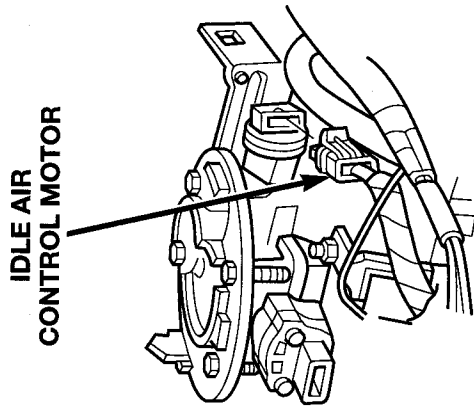
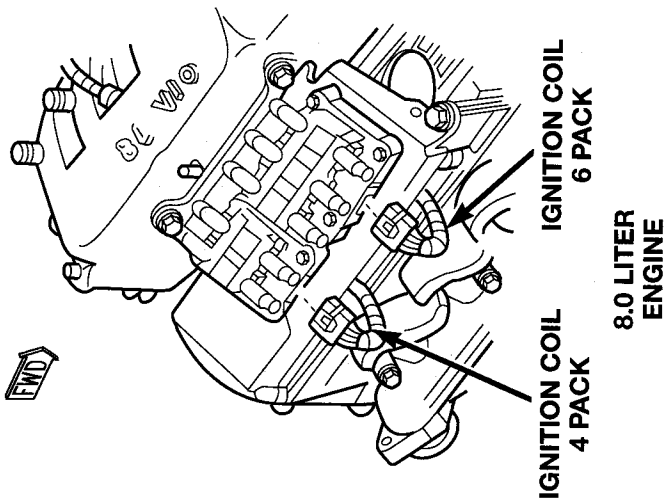


Fig. 8 Generator (Diesel Engine)

80be47b3

DESCRIPTION AND OPERATION (Continued)



3.9, 5.2, 5.9 LITER ENGINE

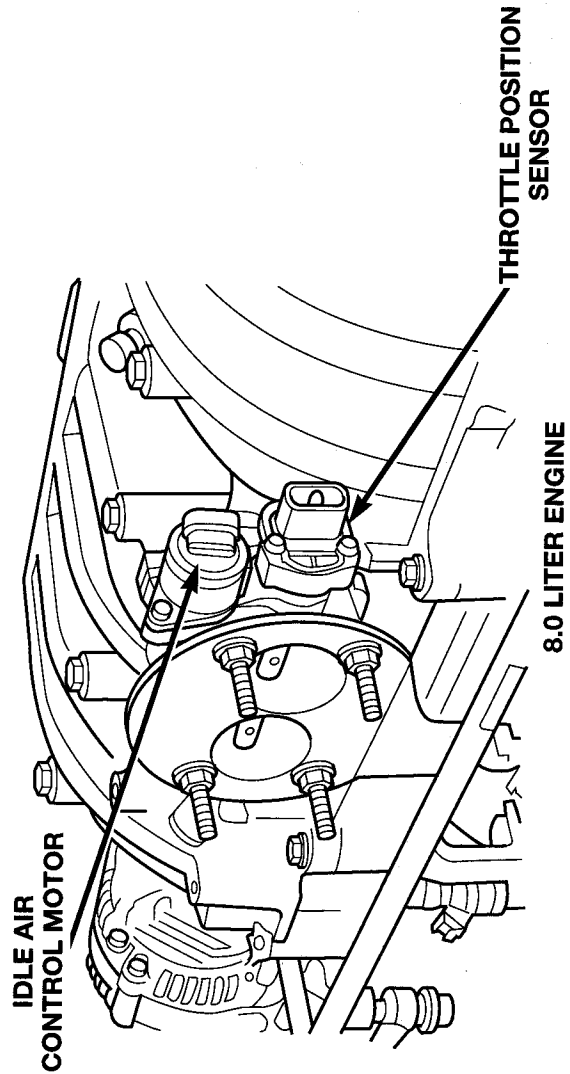
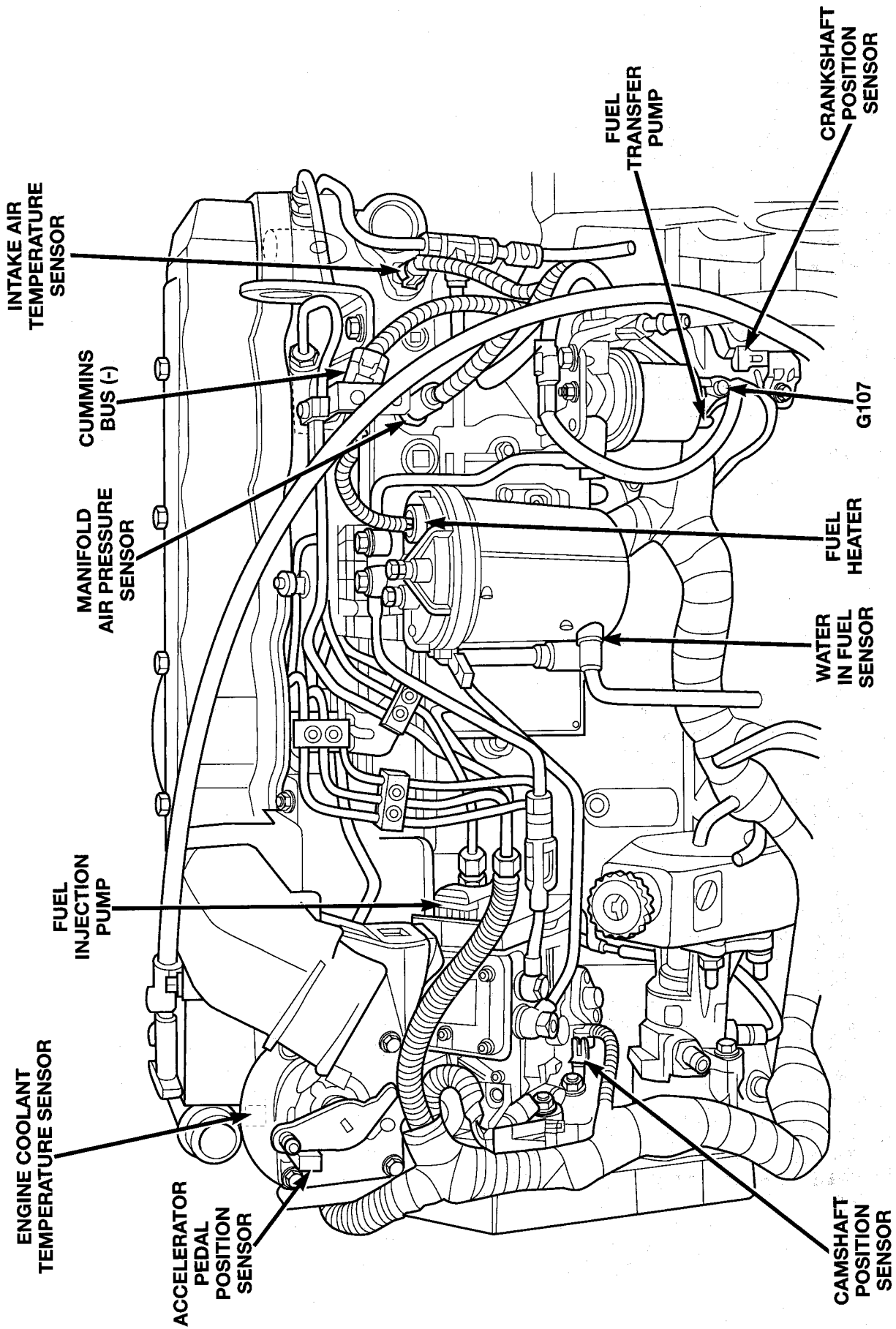


Fig. 9 Ignition Coil (Gas Engine)

80b1966d

DESCRIPTION AND OPERATION (Continued)



80019688e

Fig. 10 Diesel Components

DESCRIPTION AND OPERATION (Continued)

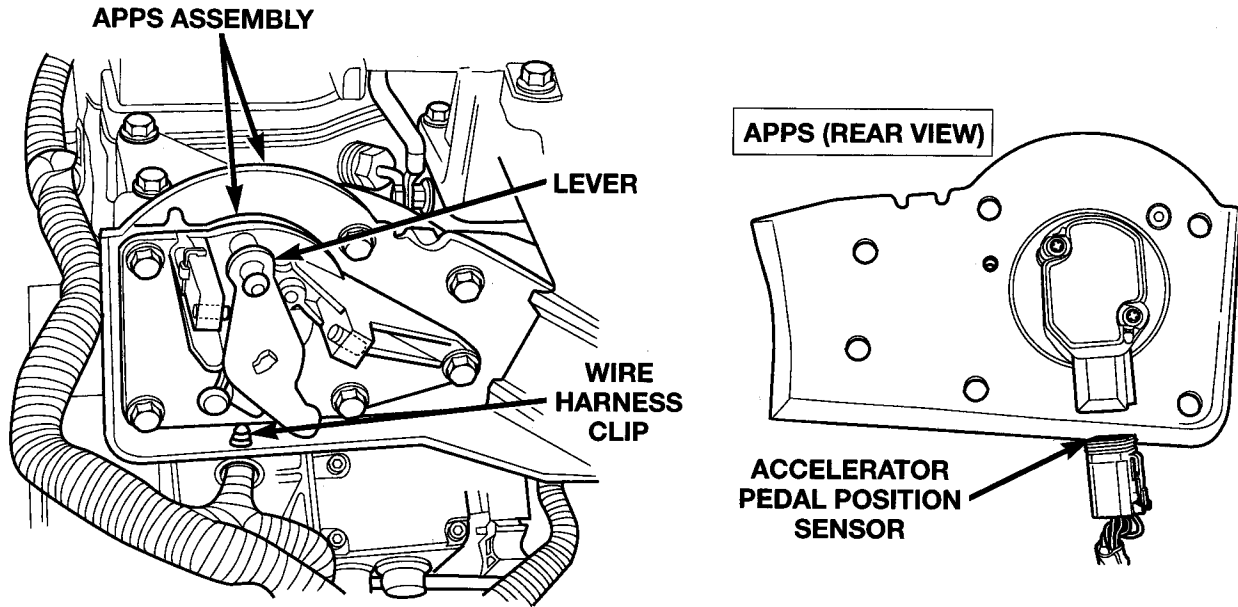


Fig. 11 Accelerator Pedal Position Sensor

80b46c2c

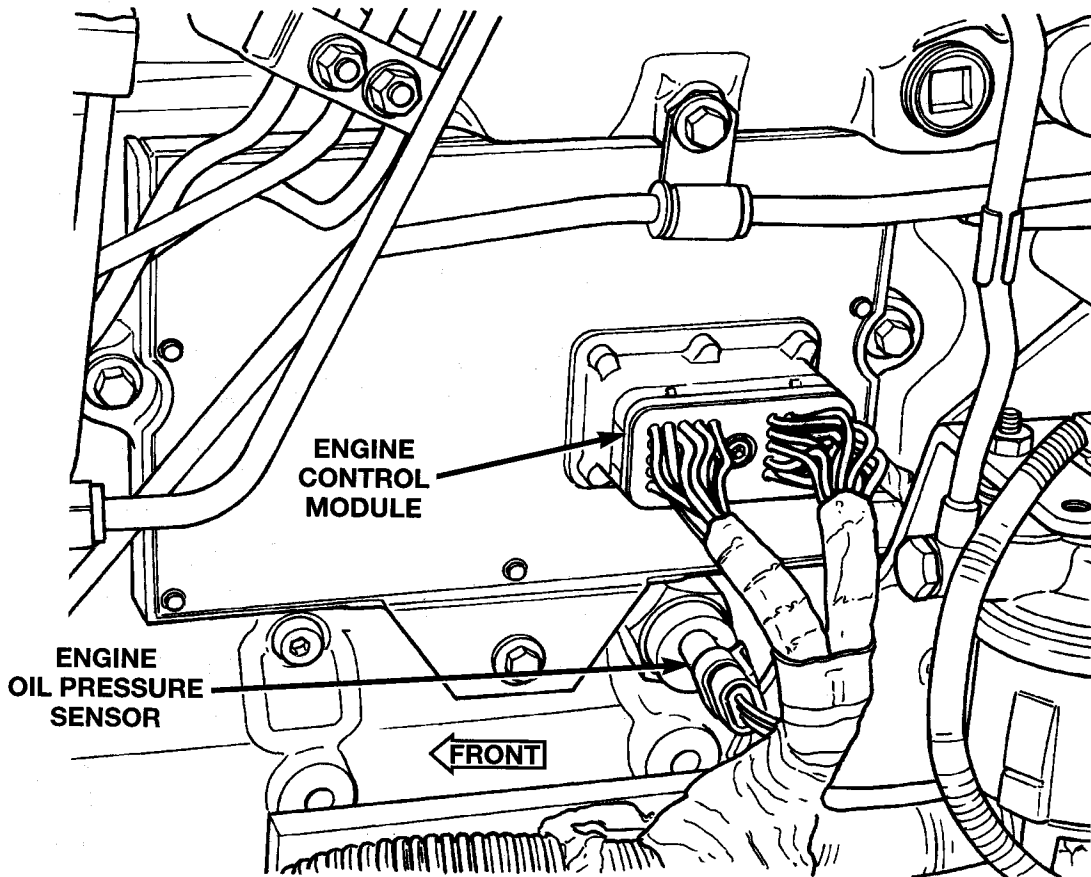


Fig. 12 Engine Control Module

80be47b4

DESCRIPTION AND OPERATION (Continued)

80b1968f

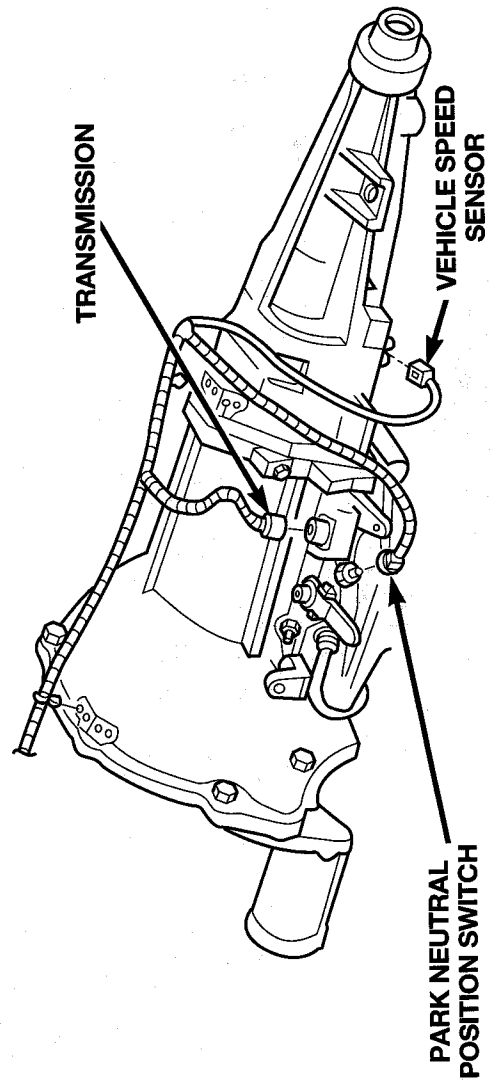
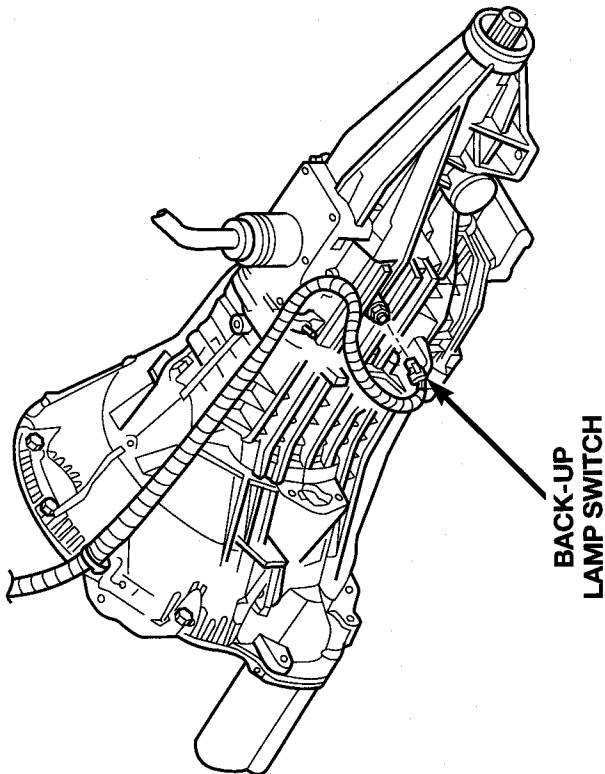
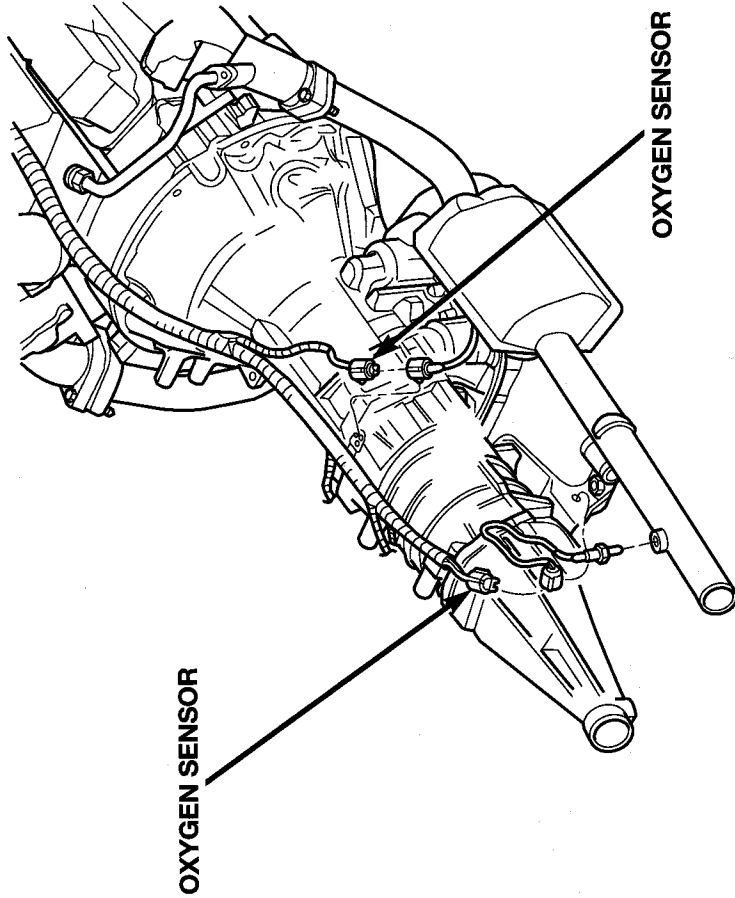
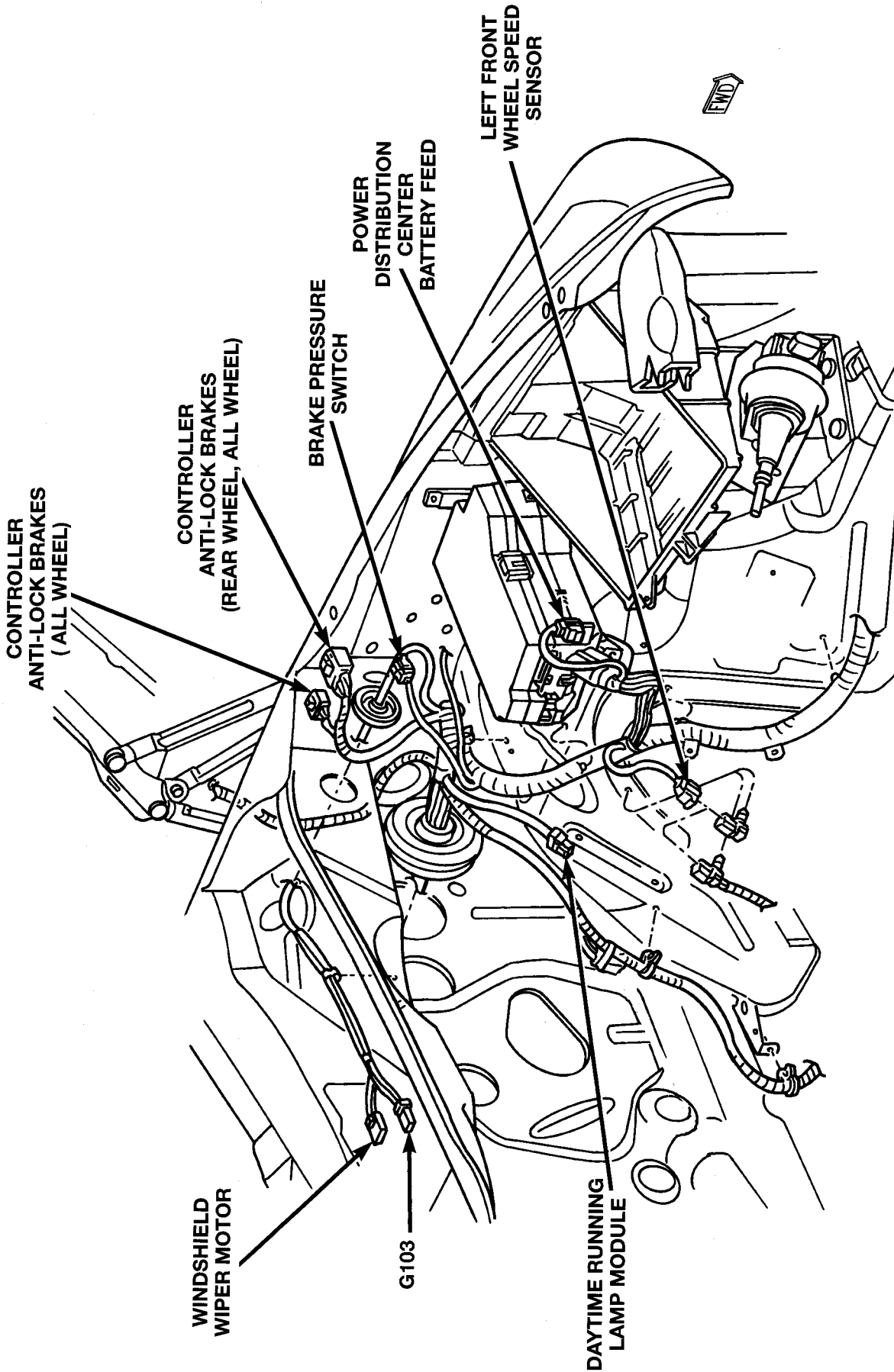


Fig. 13 Transmission Connectors

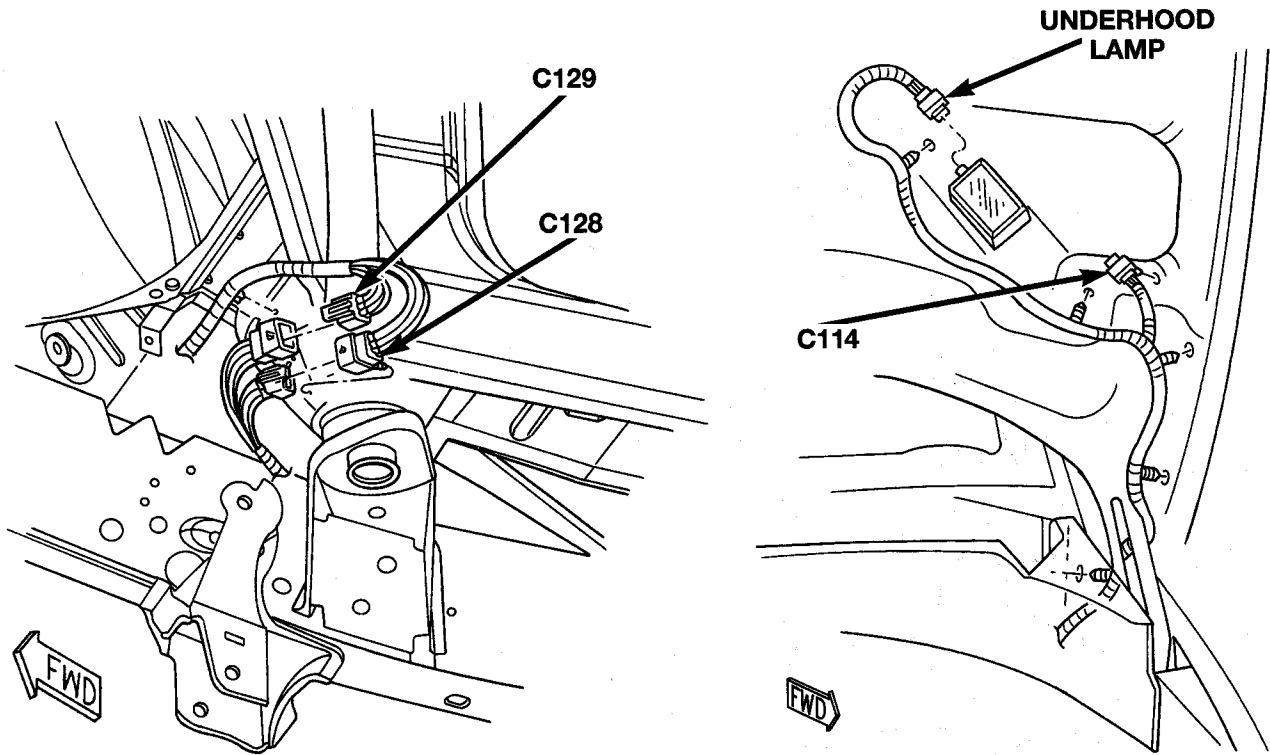
DESCRIPTION AND OPERATION (Continued)



80b19696

Fig. 14 Left Side Engine Compartment

DESCRIPTION AND OPERATION (Continued)



80be47b5

Fig. 15 Under Hood

DESCRIPTION AND OPERATION (Continued)

80b19697

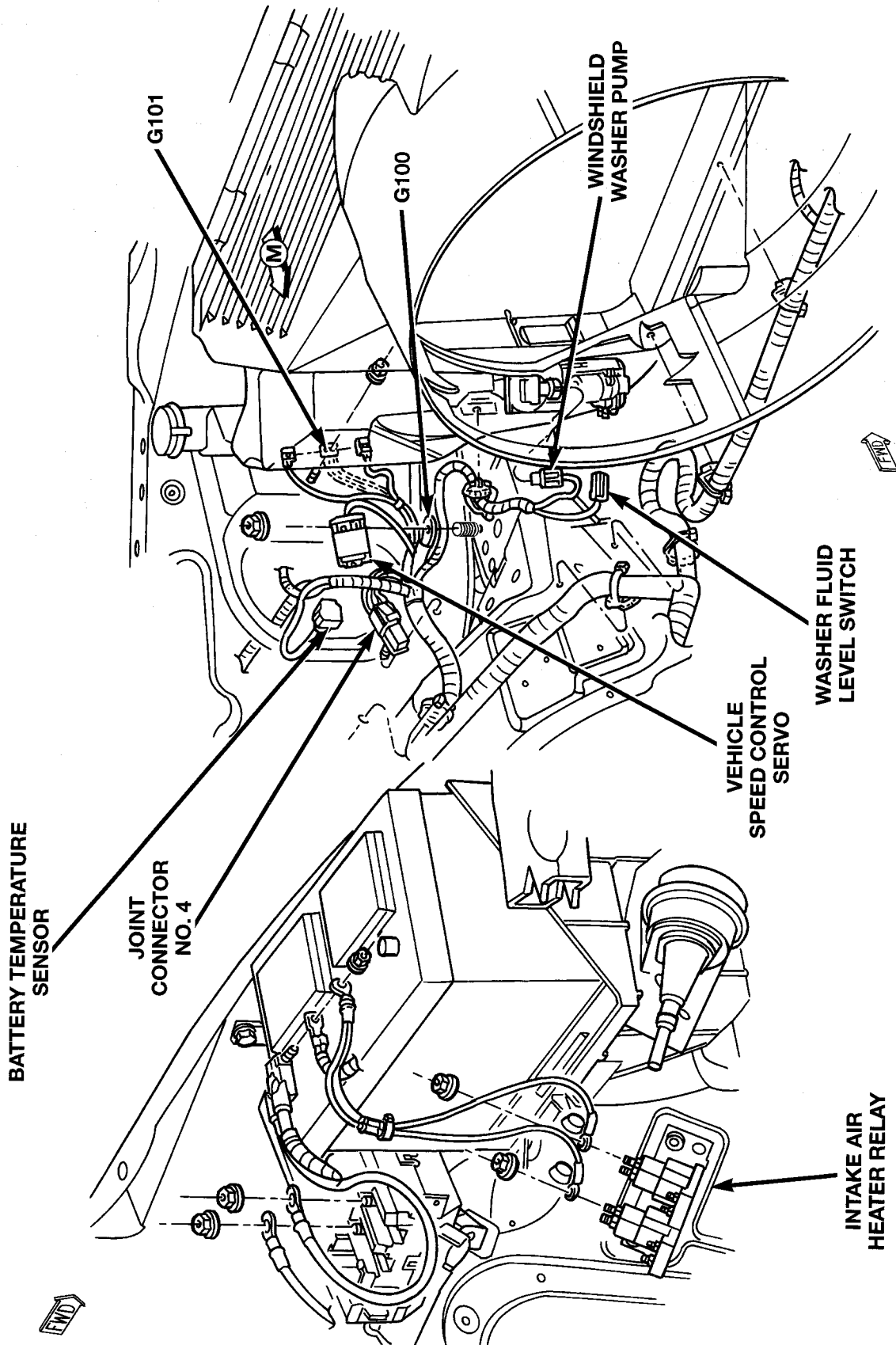
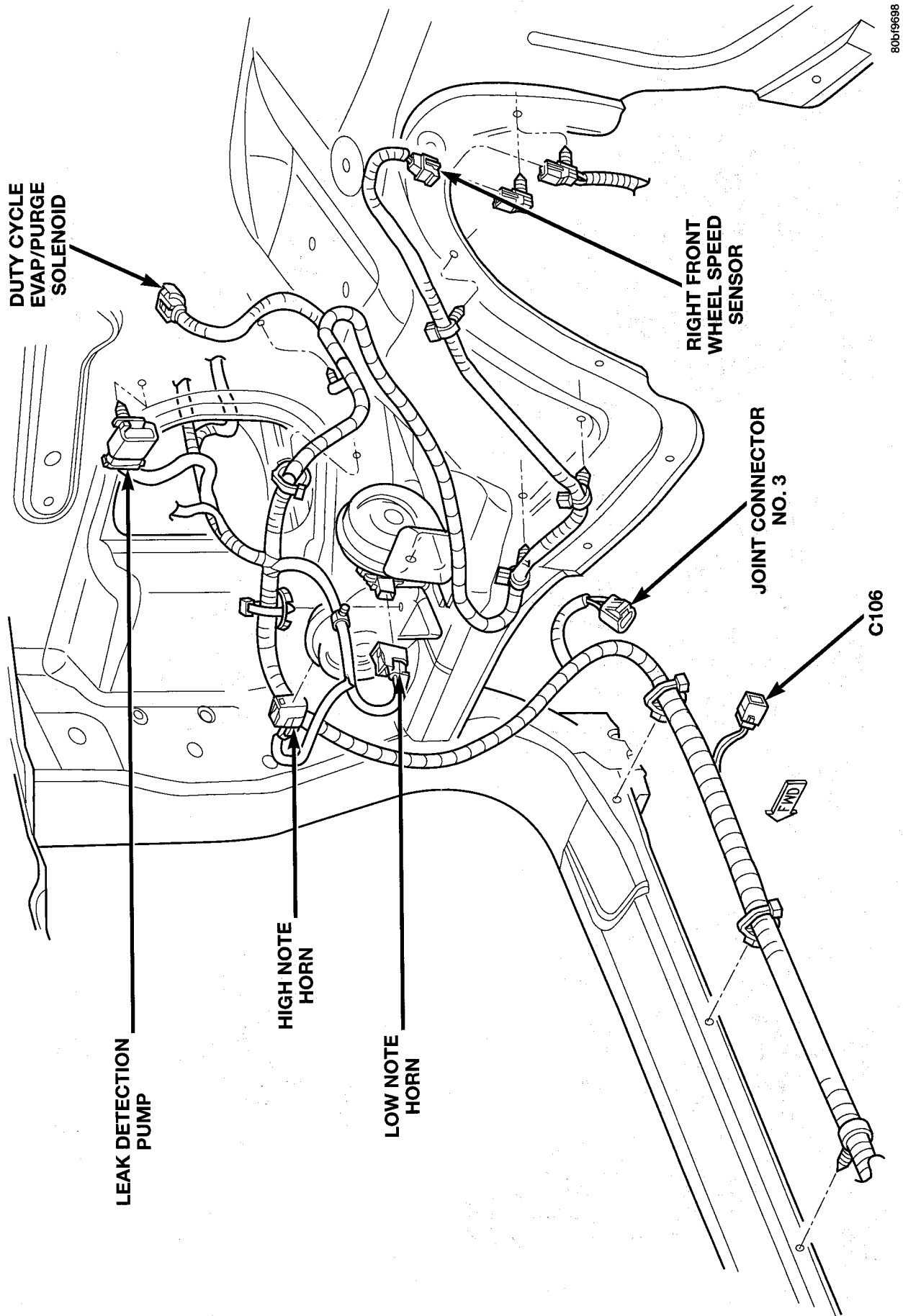


Fig. 16 Under Hood

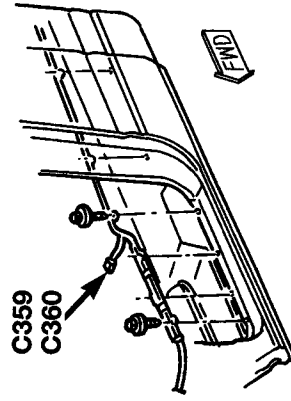
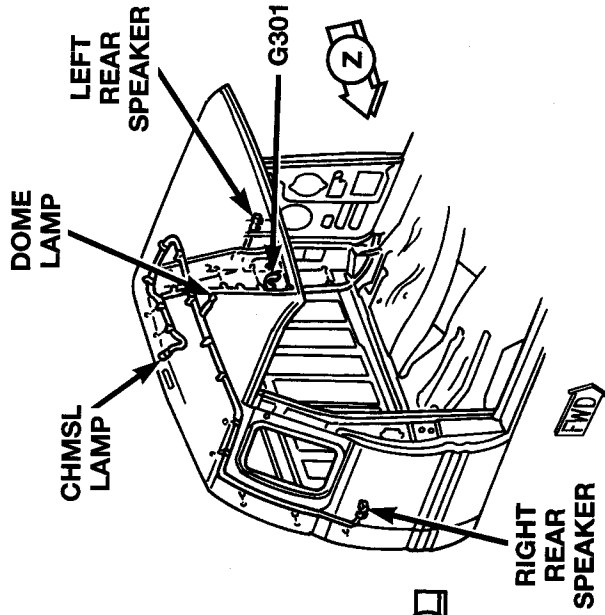
DESCRIPTION AND OPERATION (Continued)



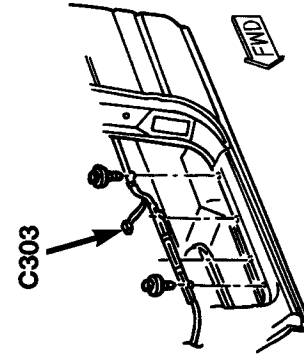
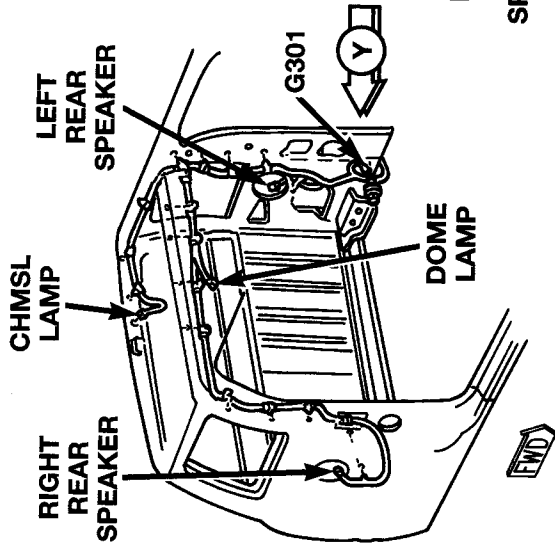
80b19698

Fig. 17 Right Fender Shield

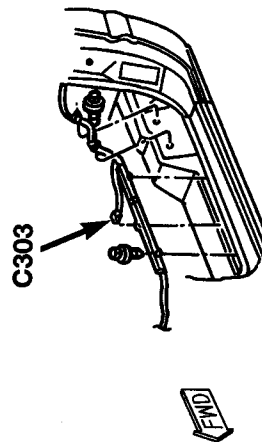
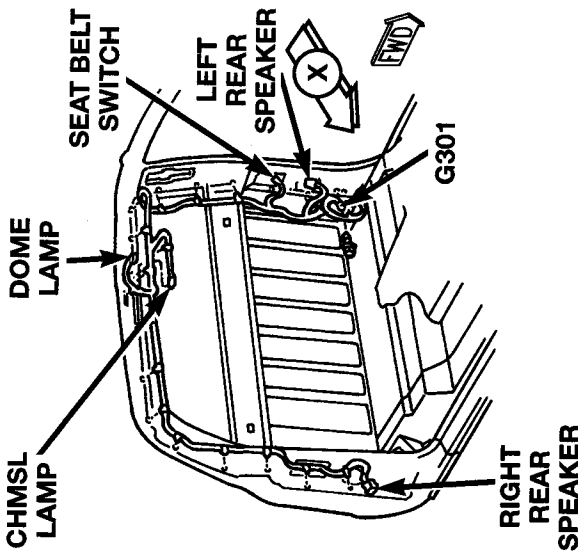
DESCRIPTION AND OPERATION (Continued)



VIEW IN DIRECTION OF ARROW Z



VIEW IN DIRECTION OF ARROW Y



VIEW IN DIRECTION OF ARROW X

80bf6699

Fig. 18 Center High Mounted Stop Lamp

DESCRIPTION AND OPERATION (Continued)

80b1968a

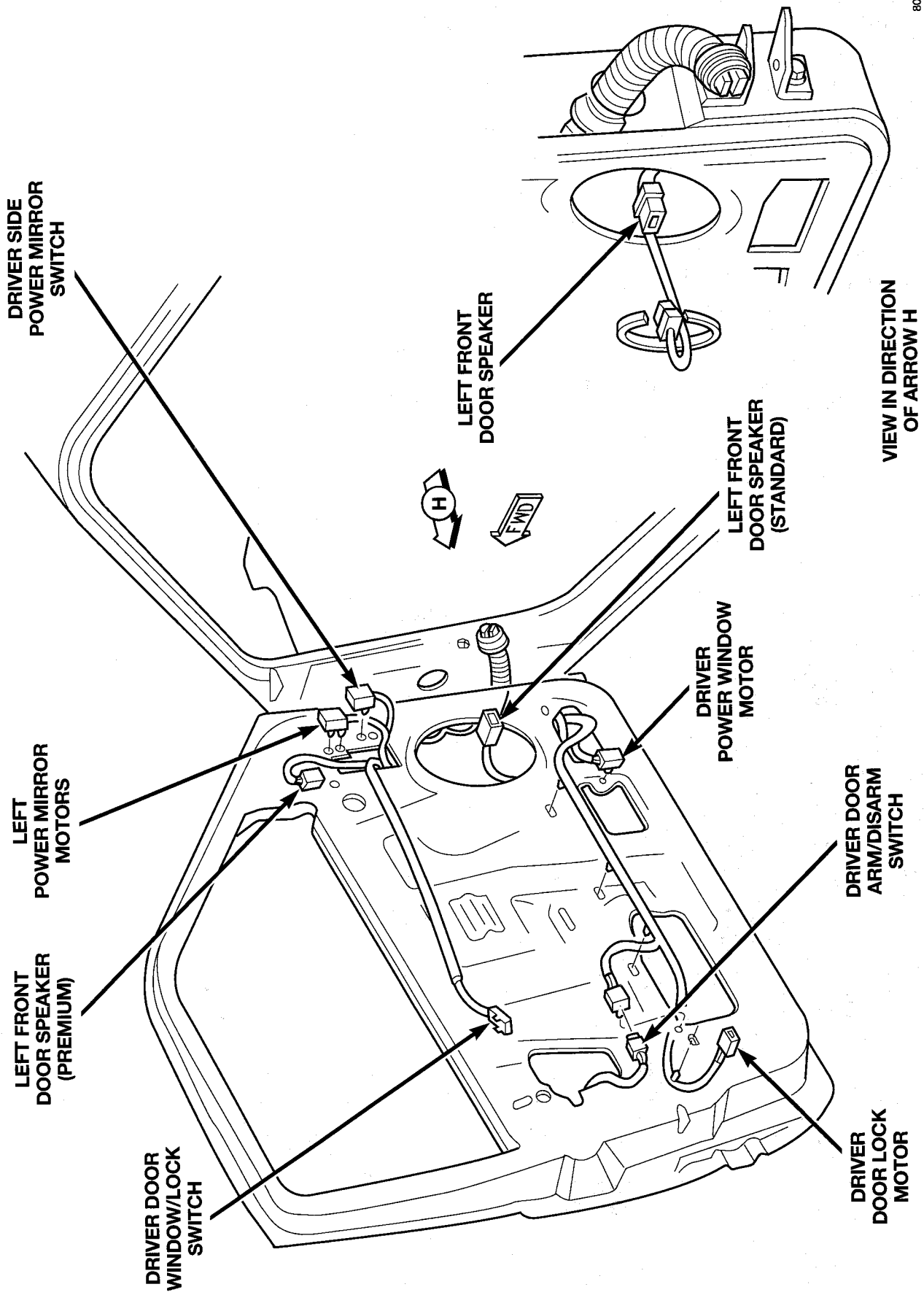


Fig. 19 Door

DESCRIPTION AND OPERATION (Continued)

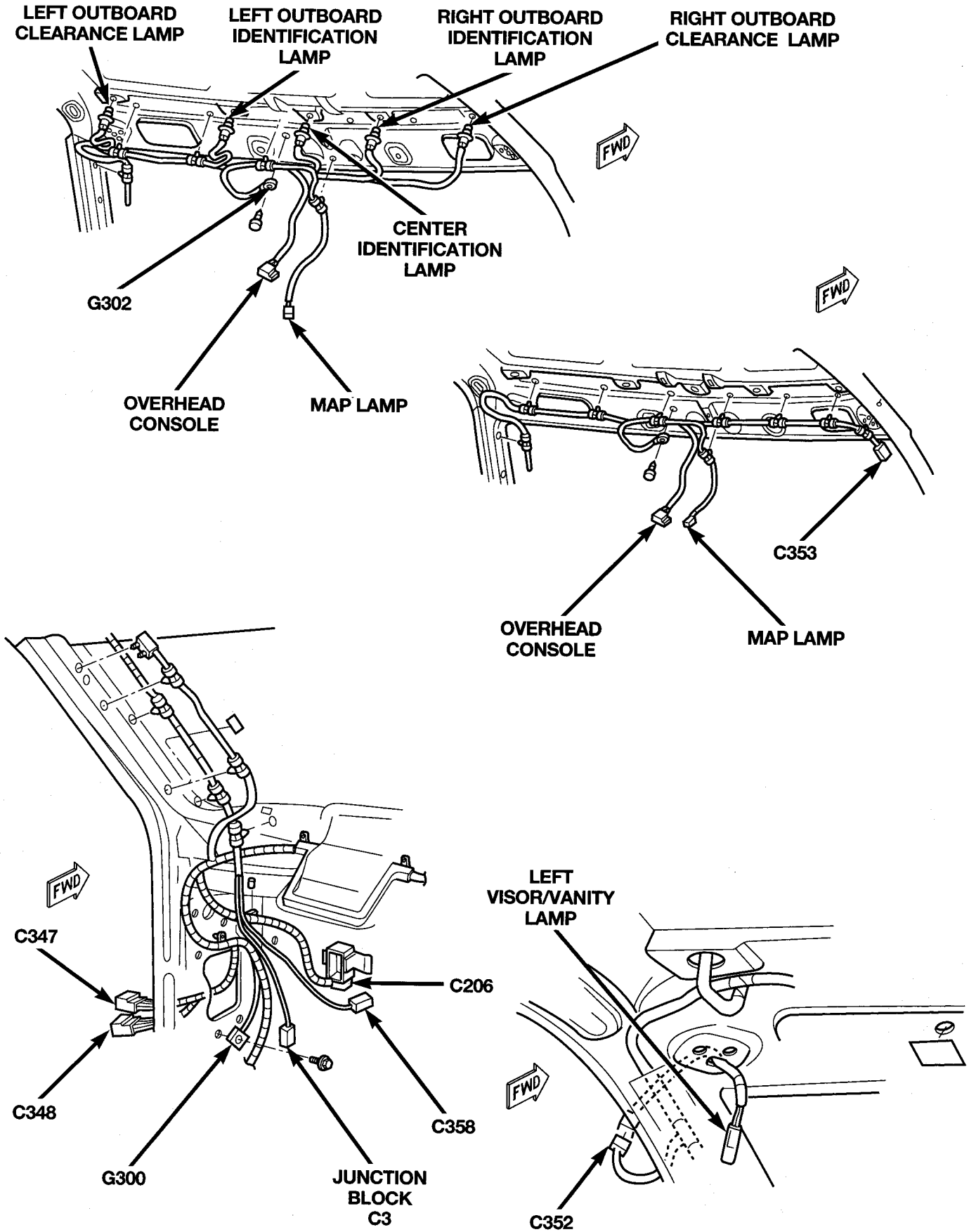


Fig. 20 Overhead Console

DESCRIPTION AND OPERATION (Continued)

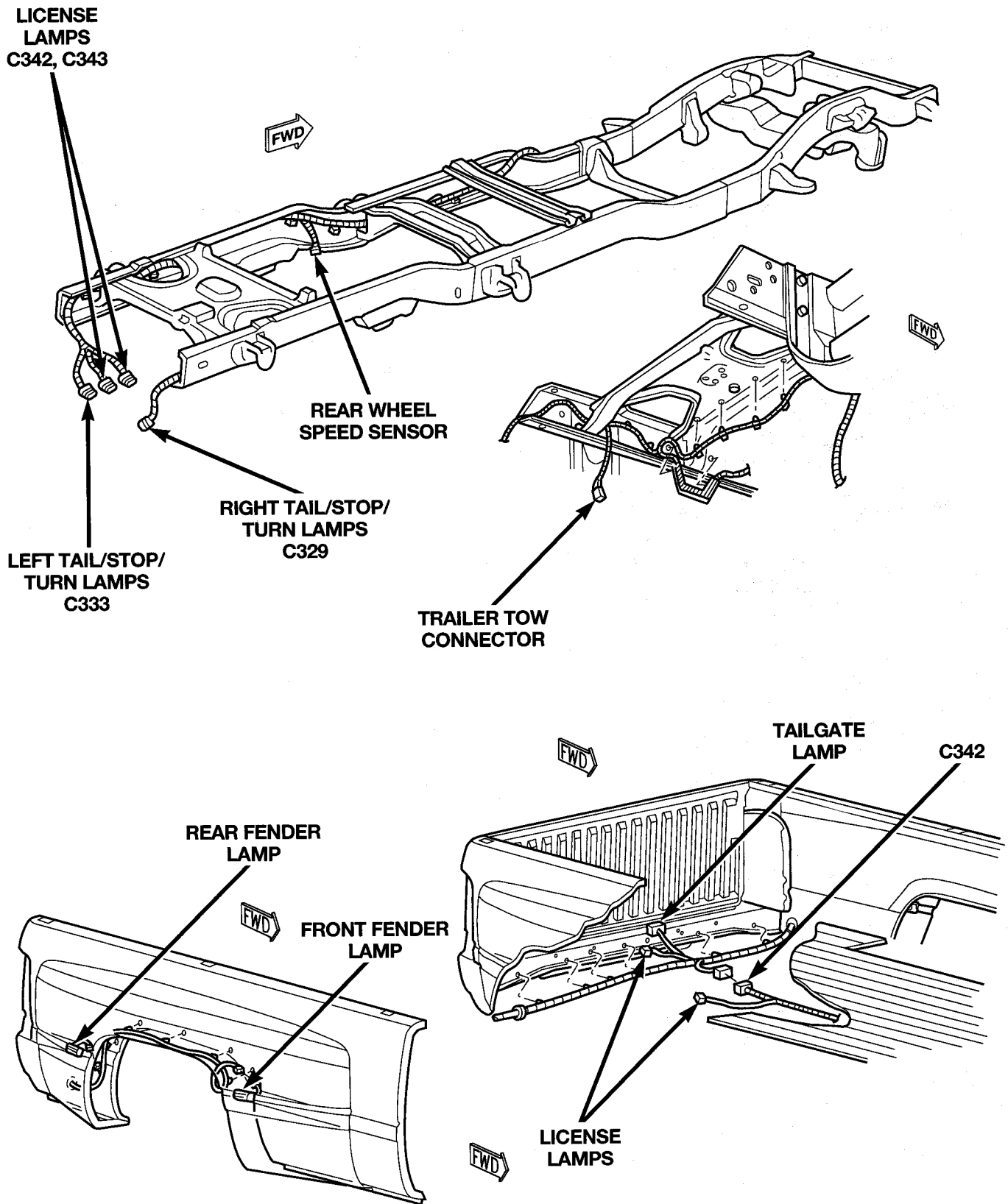


Fig. 21 Tail Lamps

DESCRIPTION AND OPERATION (Continued)

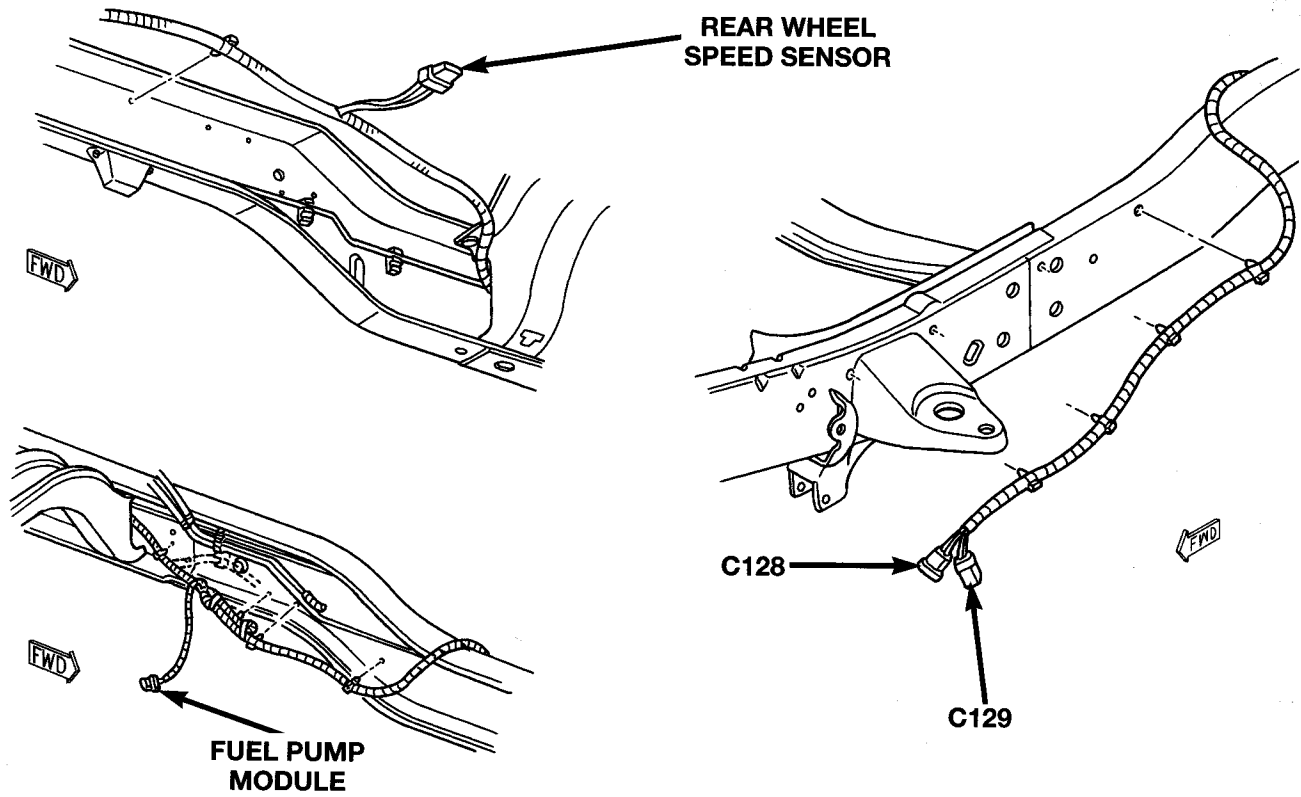
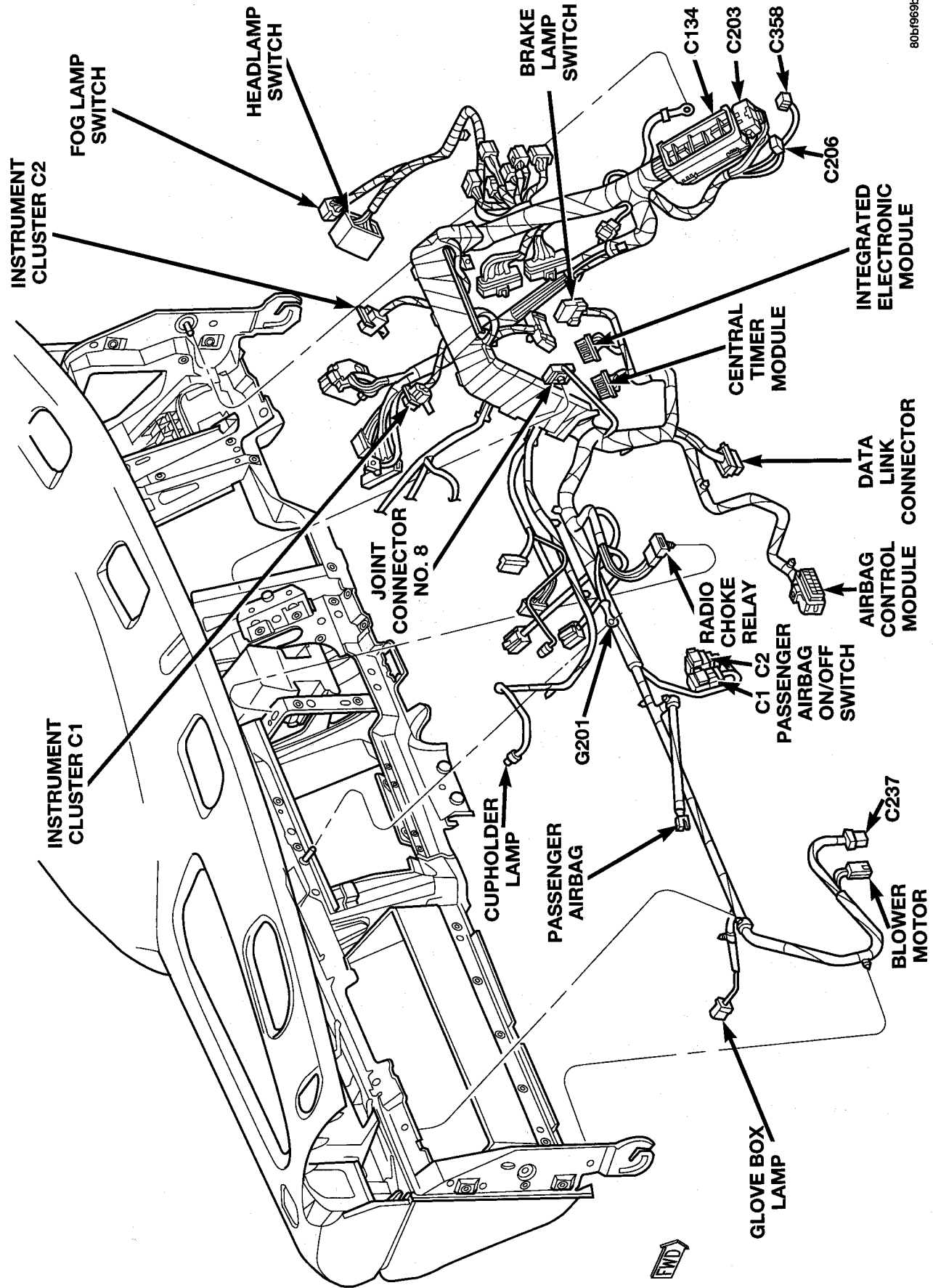


Fig. 22 Frame Rail

DESCRIPTION AND OPERATION (Continued)



80bf969b

Fig. 23 Instrument Panel

END

DESCRIPTION AND OPERATION (Continued)

80bf969c

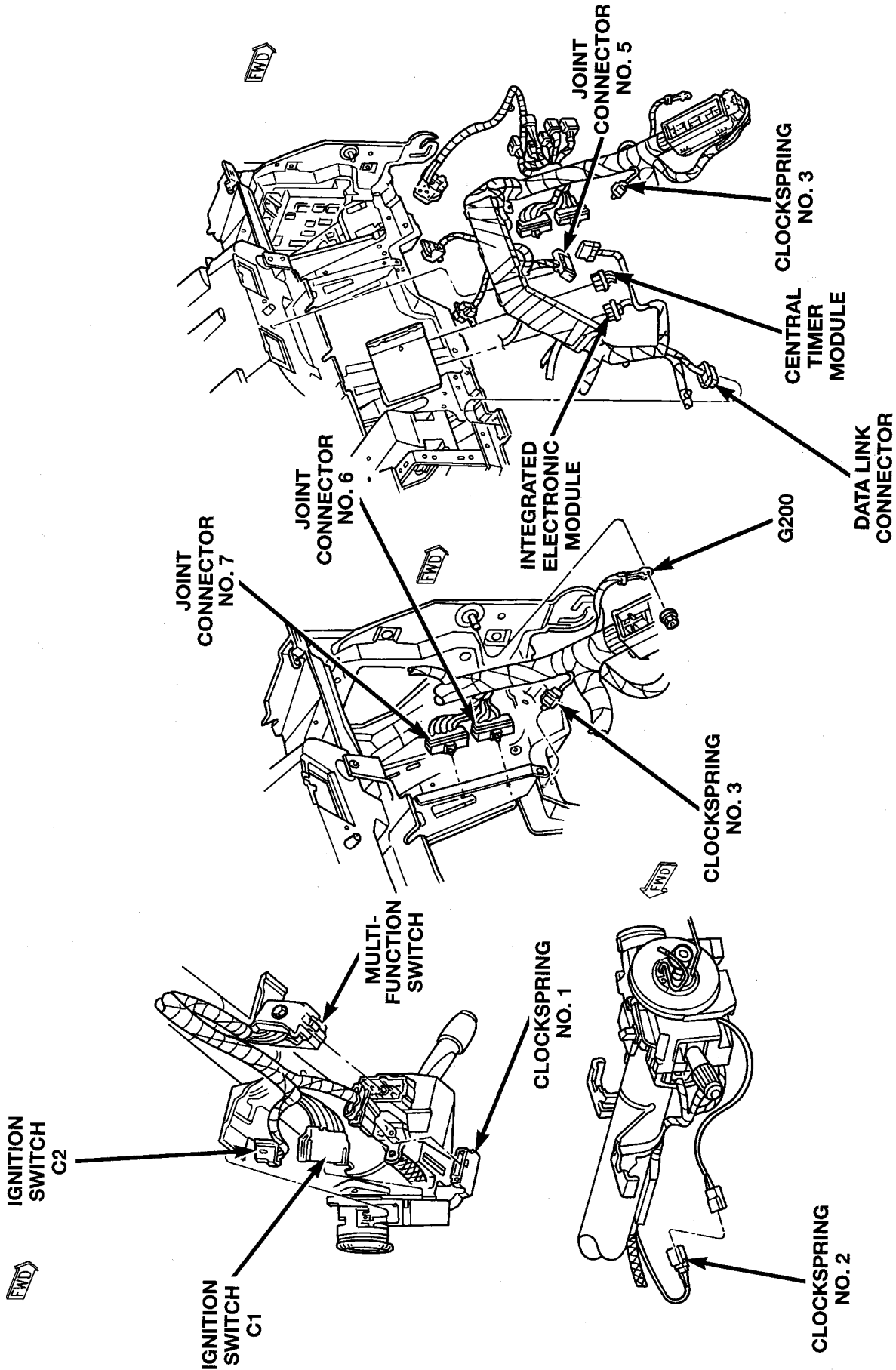


Fig. 24 Steering Column

DESCRIPTION AND OPERATION (Continued)

80b1969e

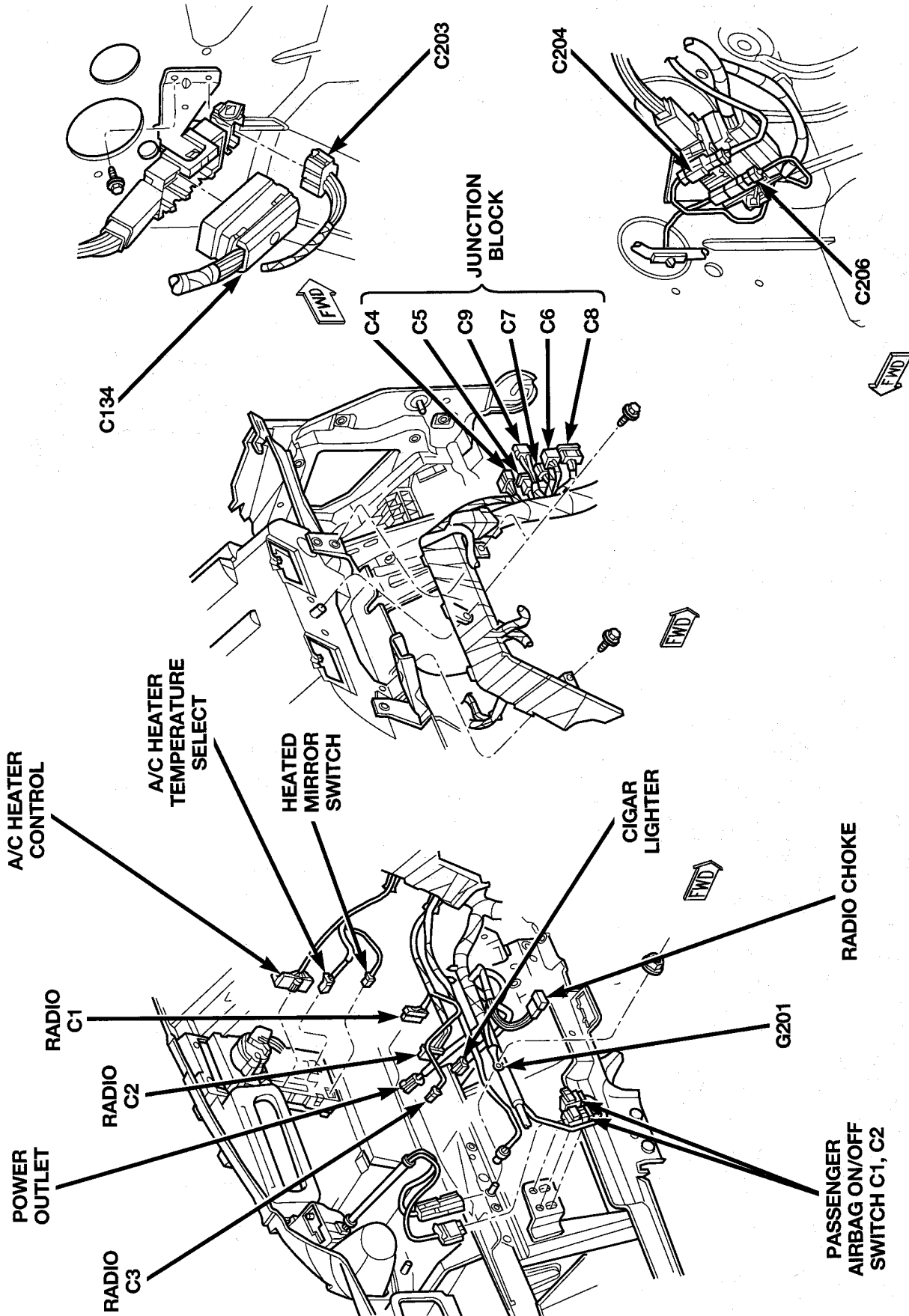
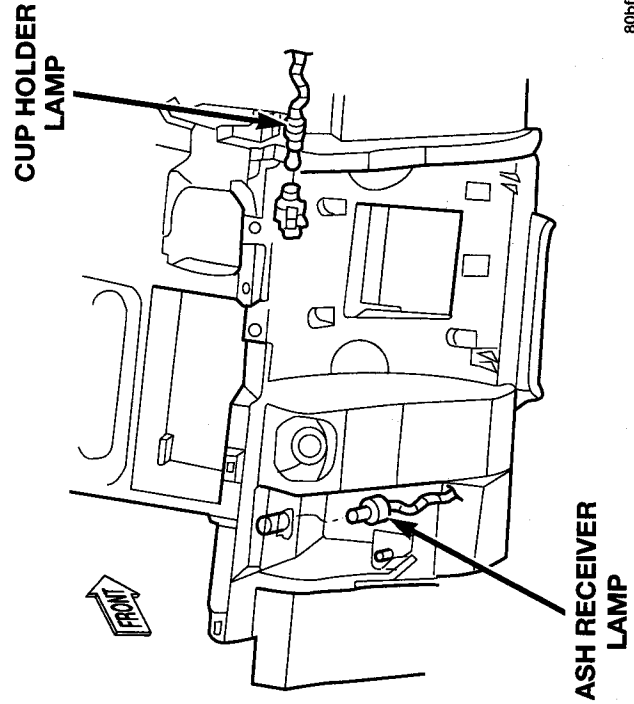
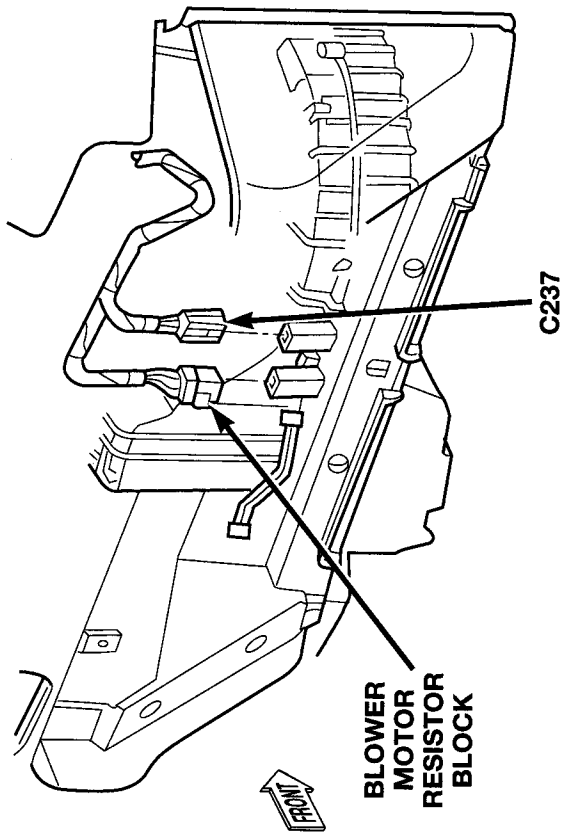


Fig. 25 Instrument Panel

DESCRIPTION AND OPERATION (Continued)



80b1969f

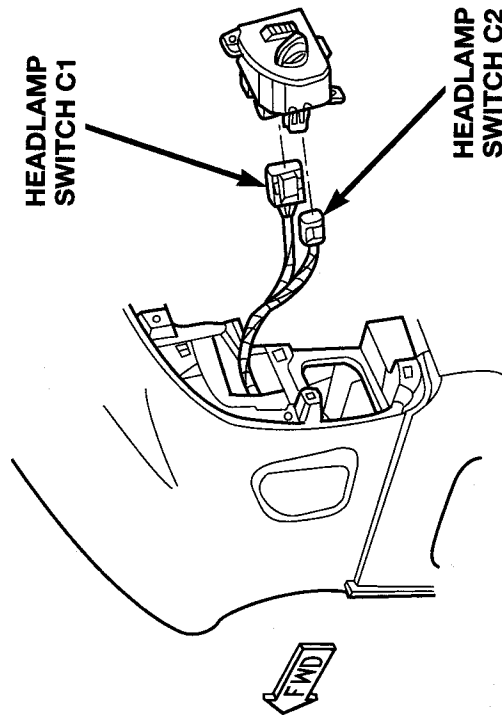
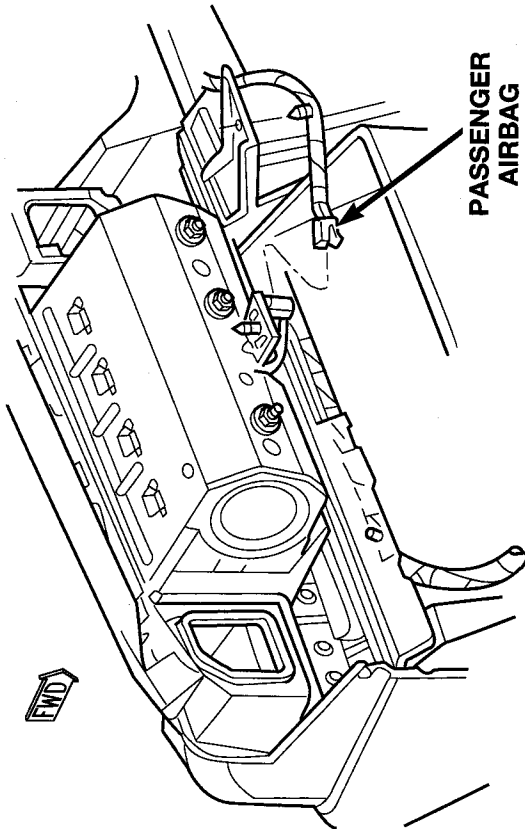


Fig. 26 Instrument Panel

DESCRIPTION AND OPERATION (Continued)

80b196a9

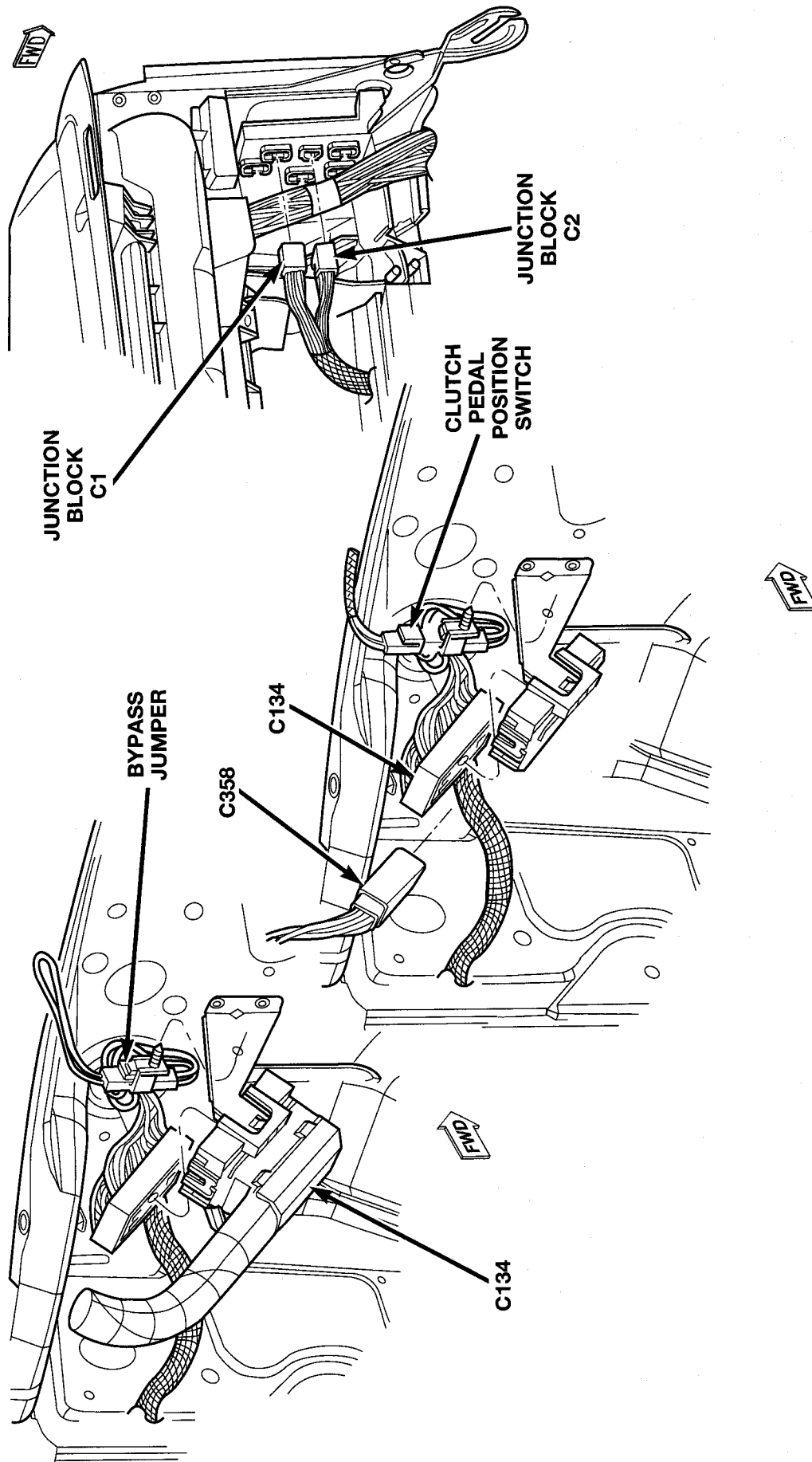


Fig. 27 Left Cowl



8W-95 SPLICE LOCATIONS

DESCRIPTION AND OPERATION

INTRODUCTION

This section provides illustrations identifying the general location of the splices in this vehicle. A splice index is provided. Use the wiring diagrams in each

section for splice number identification. Refer to the index for proper splice number.

SPLICE LOCATIONS

For splices that are not shown in the figures in this section, N/S is placed in the Fig. column.

Splice Number	Location	Fig.
S102	Headlamp and Dash Harness, Near T/O to Right Park/Turn Lamp	8
S103	Headlamp and Dash Harness, Near T/O to Left Park/Turn Lamp	N/S
S104	Headlamp and Dash Harness, Near T/O to Left Front Headlamp	N/S
S105	Headlamp and Dash Harness, In Power Distribution Center	7
S106	Headlamp and Dash Harness, In Power Distribution Center	7
S107	Headlamp and Dash Harness, Near Left Wheel Speed sensor	7
S108	Headlamp and Dash Harness, Near Daytime Running Lamp Module	7
S109	Battery Harness, In T/O for Engine and Transmission Ground	N/S
S110	Headlamp and Dash Harness, Near Left Wheel Speed Sensor	7
S112	Headlamp and Dash Harness, Near Antilock Brake Controller	7
S113	Headlamp and Dash Harness, Near Antilock Brake Controller	7
S114	Headlamp and Dash Harness, In T/O to Chassis Harness	7
S116(V6, V8)	Engine Harness, Near T/O to Fuel Injectors	1

Splice Number	Location	Fig.
S116 (V10)	Engine Harness Rear of Engine	4
S116 (Diesel)	Transmission Harness, In T/O to Power Distribution Center	2
S117 (V6, V8)	Engine Harness, Near T/O to Fuel Injectors	1
S117 (V10)	Engine Harness, Near T/O to fuel Injector No. 8	4
S118 (V6, V8)	Engine Harness, Near T/O to Fuel Injectors	1
S118 (V10)	Engine Harness, Rear of Engine	4
S119 (V6, V8)	Engine Harness, Near T/O to Fuel Injectors	1
S119 (V10)	Engine Harness, Rear of Engine	4
S120 (V6, V8)	Engine Harness, Near T/O to Fuel Injectors	1
S120 (V10)	Engine Harness, Rear of Engine	4
S120 (Diesel)	Transmission Harness, Near T/O to A/C Low Pressure Switch	2
S121 (V6, V8)	Engine Harness, Near T/O to Fuel Injector No. 5	3
S121 (V10)	Engine Harness, Near T/O to Fuel Injector No. 5	4
S122 (V6, V8)	Engine Harness, Top of Transmission	5
S122 (V10)	Engine Harness, In T/O to Transmission	6
S123 (V6, V8)	Engine Harness, Near T/O to Fuel Injector No. 3	3
S123 (V10)	Engine Harness, Near T/O to Fuel Injector No. 1	4

DESCRIPTION AND OPERATION (Continued)

Splice Number	Location	Fig.
S124 (V6, V8)	Engine Harness, Top of Transmission	5
S124 (V10)	Engine Harness, In T/O to Transmission	6
S125 (V10)	Engine Harness, Near T/O to Fuel Injector No. 2	4
S126 (V6, V8)	Engine Harness, Near T/O to Fuel Injector No. 1	3
S126 (V10)	Engine Harness, Near T/O to Engine Ground	4
S126 (Diesel)	Transmission Harness, Near T/O to Powertrain Control Module	2
S127 (V6, V8)	Engine Harness, Near T/O to Transmission	6
S127 (V10)	Engine Harness, Near T/O to Transmission	6
S127 (Diesel)	Transmission Harness, Near T/O to Park/Neutral Switch	2
S128 (Diesel)	Transmission Harness, Near T/O to Power Distribution Center	2
S129(V6, V8)	Engine Harness, Near T/O to Oil Pressure Sensor	3
S130(V6, V8)	Engine Harness, Near T/O to Oil Pressure Sensor	3
S131 (V10)	Engine Harness, Rear of Engine	4
S132(V6, V8)	Engine Harness, Top of Transmission	5
S134	Fog Lamp Harness, In T/O to Right Fog Lamp	N/S
S136	Fog Lamp Harness, In T/O to Right Fog Lamp	N/S
S141	Headlamp and Dash Harness, Near T/O to Joint Connector No. 3	8
S143	Headlamp and Dash Harness, Near T/O to Power Distribution Center	7
S144	Headlamp and Dash Harness, Near T/O to Joint Connector No. 3	8
S160 (Diesel)	Engine Harness, Near Fuel Transfer Pump	N/S

Splice Number	Location	Fig.
S161 (Diesel)	Transmission Harness, In T/O to Power Distribution Center	2
S164 (Diesel)	Engine Harness, Near Fuel Transfer Pump	N/S
S165 (Diesel)	Engine Harness, Near Engine Control Module	N/S
S166 (Diesel)	Engine Harness, Near Engine Control Module	N/S
S167 (Diesel)	Engine Harness, Near Fuel Transfer Pump	N/S
S168 (Diesel)	Engine Harness, Near T/O to Engine Coolant Temperature Sensor	N/S
S170 (Diesel)	Engine Harness, In T/O to Engine Control Module	N/S
S171	Transmission Harness, In T/O to Power Distribution Center	2
S172 (Diesel)	Transmission Harness, Near T/O to A/C Low Pressure Switch	2
S173 (Diesel)	Transmission Harness, Near T/O to A/C Low Pressure Switch	2
S174 (Diesel)	Transmission Harness, In T/O to Power Distribution Center	2
S175	Transmission Harness, In T/O to Power Distribution Center	2
S176	Headlamp and Dash Harness, In Power Distribution Center	7
S177	Headlamp and Dash Harness, In T/O to Daytime Running Lamps Module	7
S179	Transmission Harness, In T/O to Power Distribution Center	2
S180	Headlamp and Dash Harness, Rear of Front Bumper	8
S181	Headlamp and Dash Harness, Rear of Front Bumper	8

DESCRIPTION AND OPERATION (Continued)

Splice Number	Location	Fig.
S182	Headlamp and Dash Harness, In T/O to Daytime Running Lamps Module	7
S183	Headlamp and Dash Harness, In Power Distribution Center	7
S202	Instrument Panel Harness, Near Overdrive Switch	12
S203	Instrument Panel Harness, Near Overdrive Switch	12
S204	instrument Panel Harness, In T/O to Cup Holder Lamp	12
S207	Instrument Panel Harness, Near Blower Motor	12
S209	Steering Wheel Harness, Near Remote Radio Switch	N/S
S210	Steering Wheel Harness, Near Remote Radio Switch	N/S
S300	Body Harness, Left Side Instrument Panel	10
S301	Body Harness, Left Side Instrument Panel	10
S302	Body Harness, Left Side Instrument Panel	10
S303	Body Harness, Left Side Instrument Panel	10
S304	Body Harness, Left Side Instrument Panel	10
S305	Body Harness, Right Side Instrument Panel	N/S
S306	Body Harness, Left Side Instrument Panel	10
S307	Body Harness, Left Cowl	10
S308	Body Harness, Left Cowl	10
S310	At Left Body Ground	N/S
S311	At Left Body Ground	N/S
S313	Left Rear Frame Rail	11
S314	Left Rear Frame Rail	11
S315	Left Rear Frame Rail	11
S316	Left Rear Frame Rail	11
S317	Left Rear Frame Rail	11
S318	In T/O to Trailer Tow	11
S319	In T/O to Left Rear Lamps	11
S320	In T/O to Trailer Tow	11

Splice Number	Location	Fig.
S321	In T/O to Left Rear Lamps	11
S322	Overhead Console Harness, At Roof Lamps	9
S323	Overhead Console Harness, At Roof Lamps	9
S324	Overhead Console Harness, At Roof Lamps	9
S325	Overhead Console Harness, At Roof Lamps	9
S326	Overhead Console Harness, At Roof Lamps	9
S327	Power Seat Harness, Near Switch	N/S
S328	Power Seat Harness, Near T/O to Body Wiring	N/S
S329	Door Harness, Near Left Door Near Grommet	N/S
S330	Door Harness, Near Right Door Near Grommet	N/S
S331	Chassis Harness, Near T/O to Fuel Pump Module	11
S332	Body Harness, Left Side Instrument Panel	10
S333	Power Seat Harness, Near T/O to Passenger Seat Jumper	N/S
S335	Power Seat harness, Near T/O to Body Wiring	N/S
S336	Power Seat Harness, Under Passenger Seat	N/S
S337	Power Seat Harness, Under Passenger Seat	N/S
S340	Overhead Console Harness, At Roof Lamps	9
S401	Tail/Stop/Turn and Back-up Lamp Harness, Near T/O to Left Back-up Lamp	N/S
S402	Tail/Stop/Turn and Back-up Lamp Harness, Near T/O to Right Back-up Lamp	N/S
S404	Fender Lamp Harness, Near T/O to Tailgate Lamp	N/S
S406	Fender Lamp Harness, Near T/O to Tailgate Lamp	N/S

DESCRIPTION AND OPERATION (Continued)

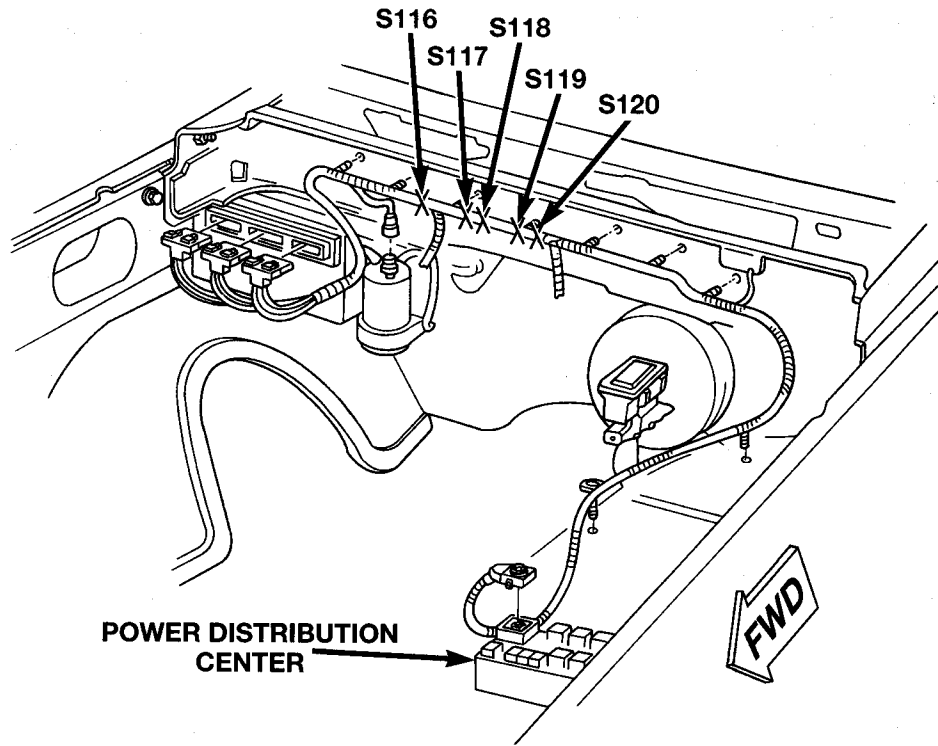


Fig. 1 Dash Panel (Gas Engines)

80b11cc1

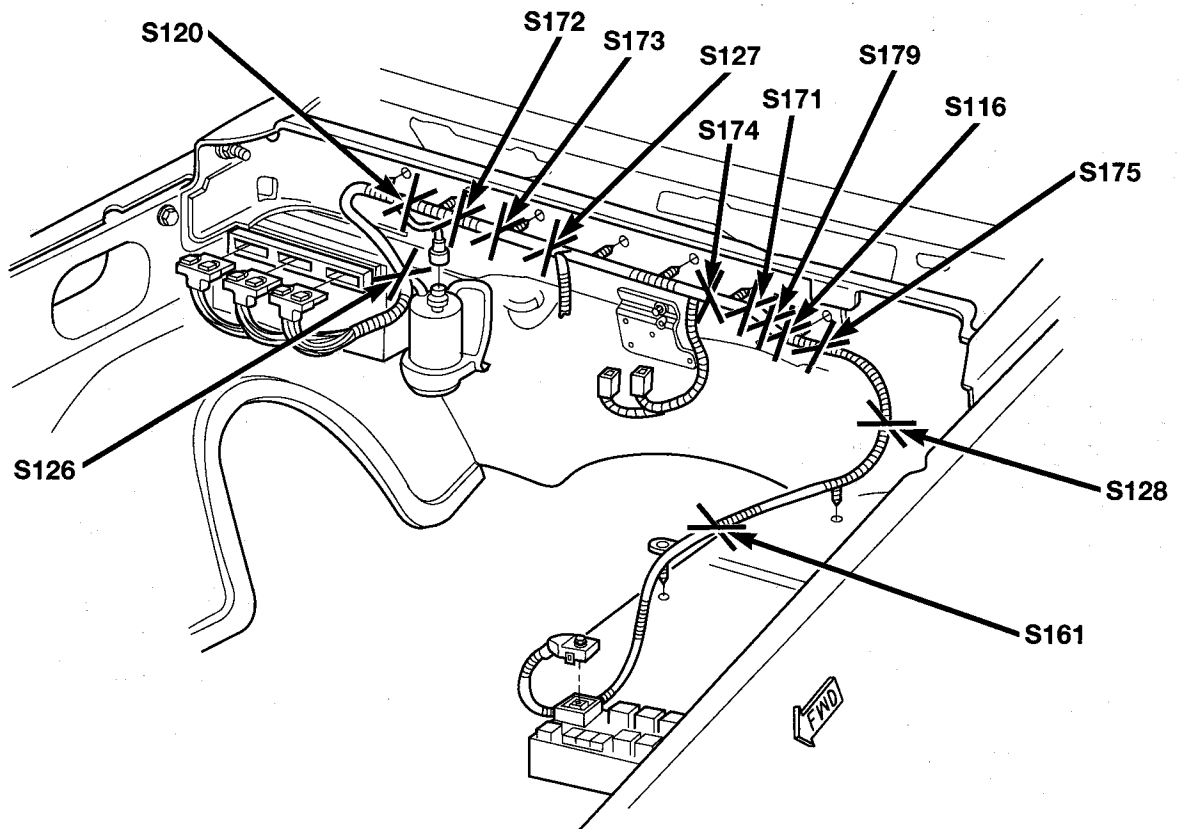
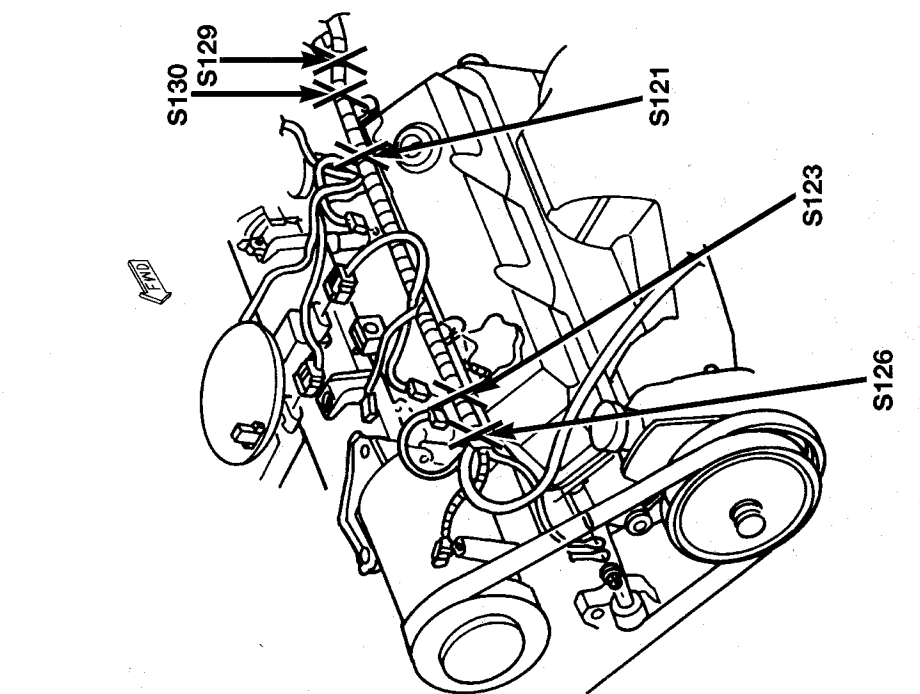


Fig. 2 Dash Panel (Diesel Engine)

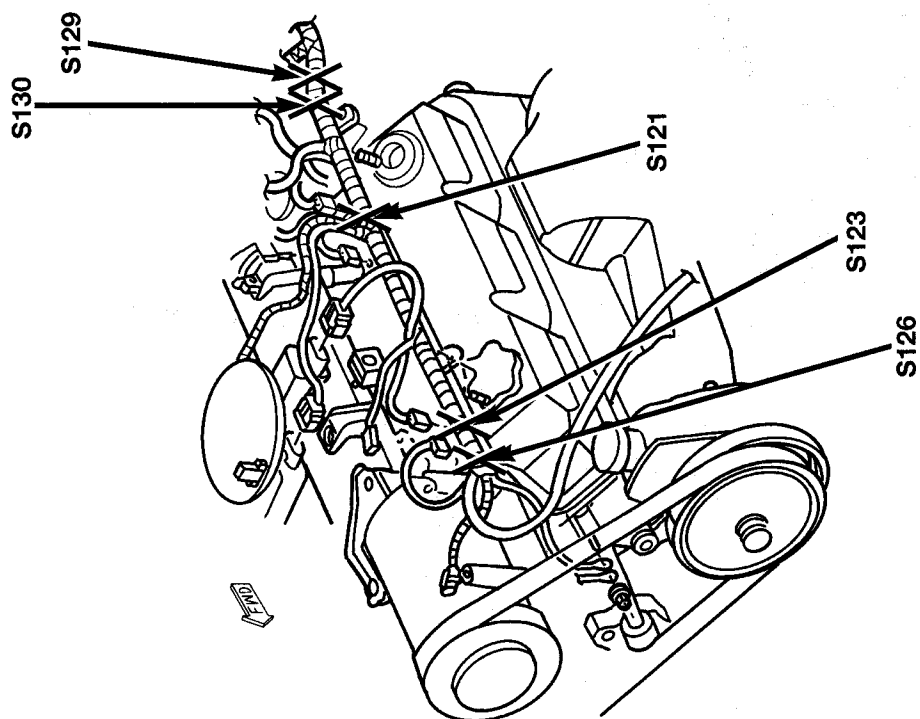
80be47c1

DESCRIPTION AND OPERATION (Continued)

80bf96aa



3.9 LITER ENGINE



5.2/5.9 LITER ENGINE

Fig. 3 3.9-5.2-5.9 Liter Engine

DESCRIPTION AND OPERATION (Continued)

80bf66ab

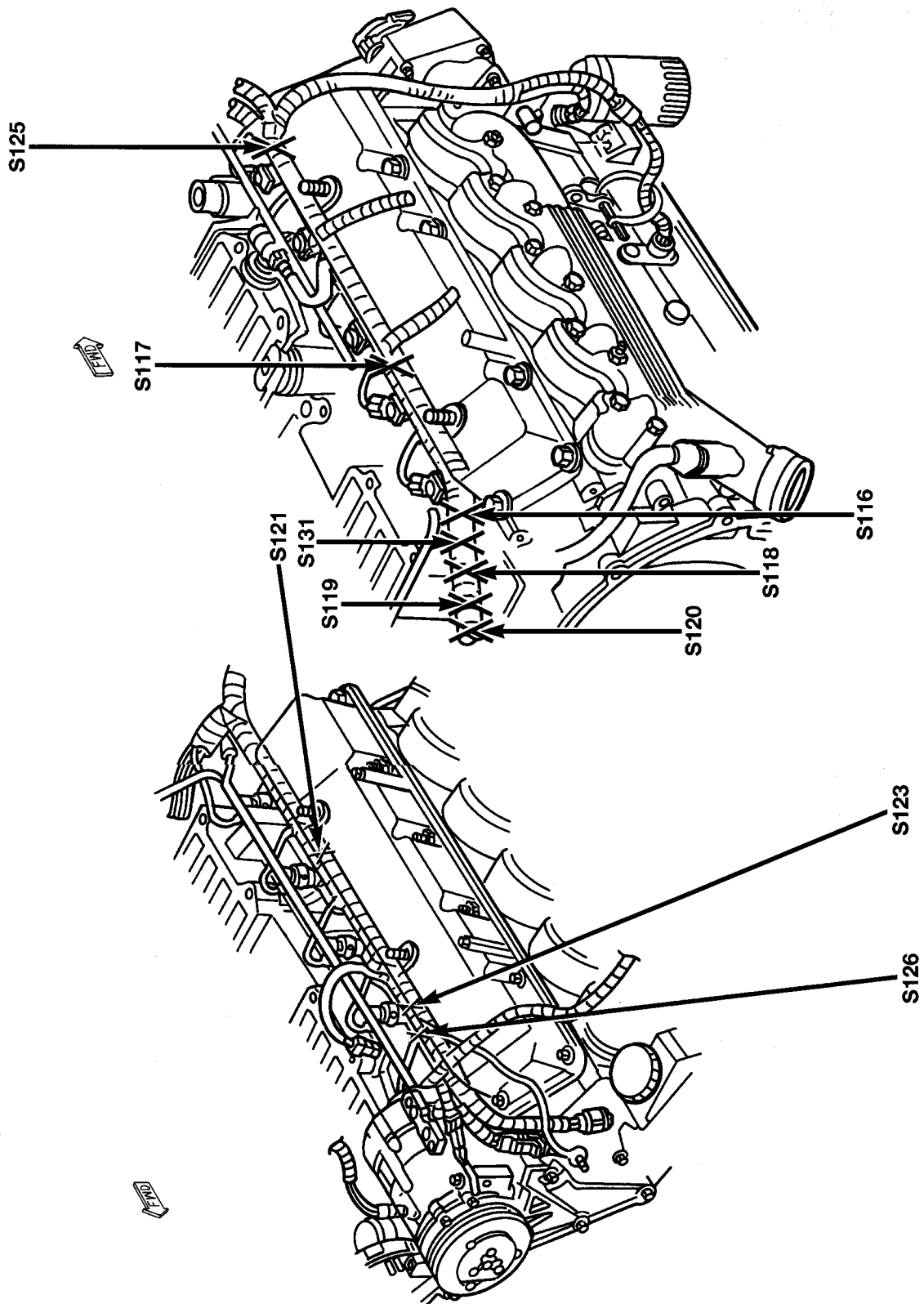


Fig. 4 8.0 Liter Engine

DESCRIPTION AND OPERATION (Continued)

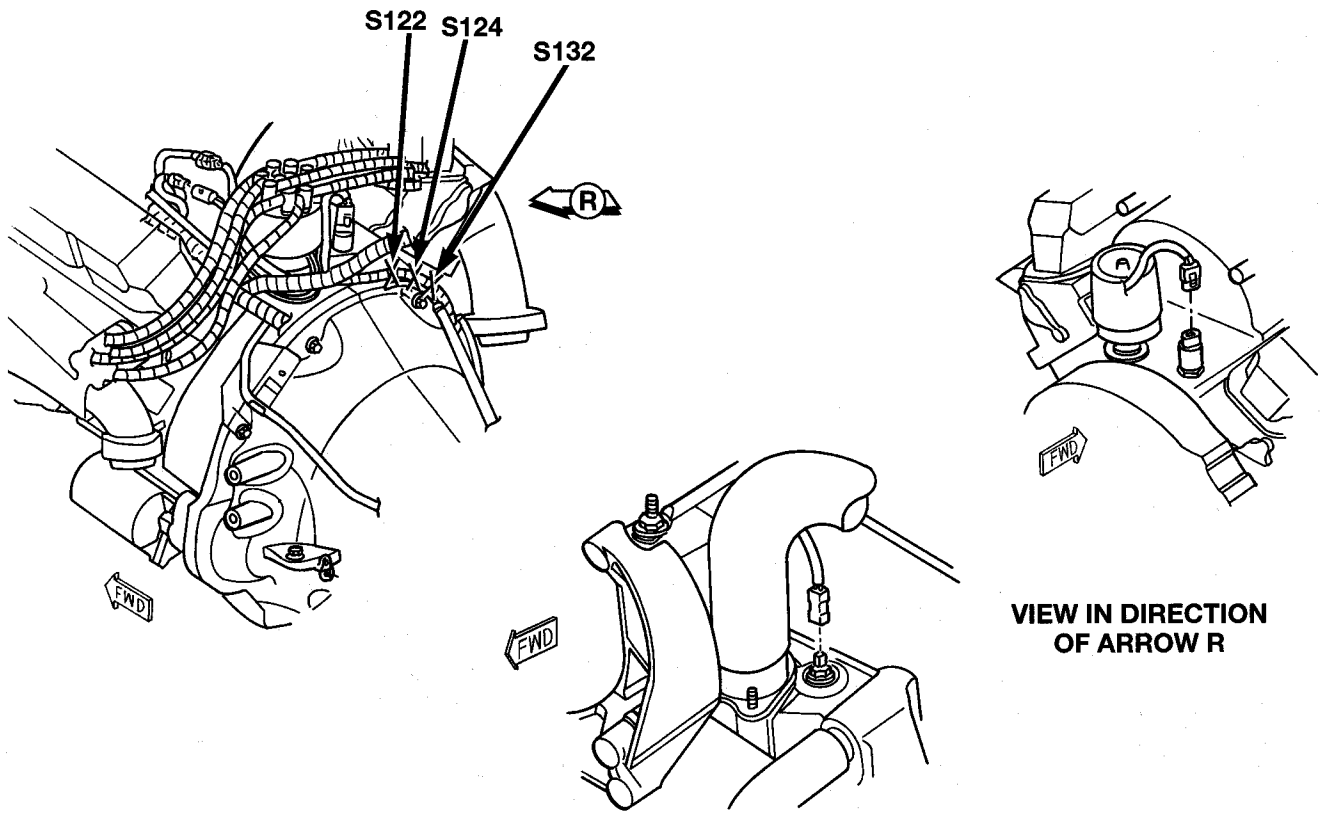


Fig. 5 5.2-5.9 Liter Engine

80be47c2

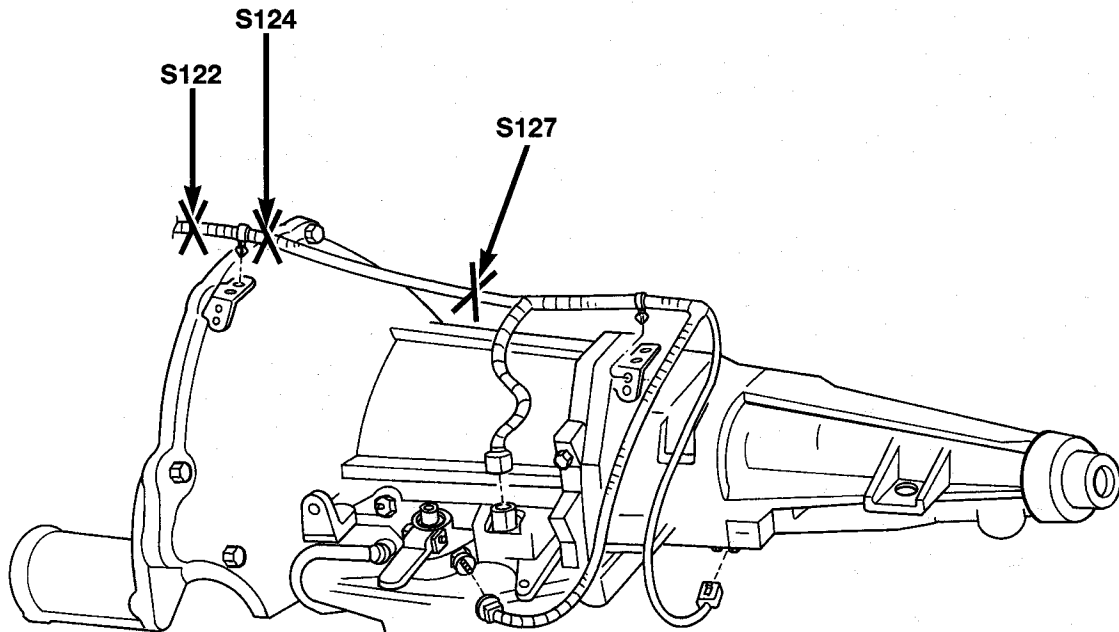


Fig. 6 Left Side Transmission

80be47c3

DESCRIPTION AND OPERATION (Continued)

80bf96ac

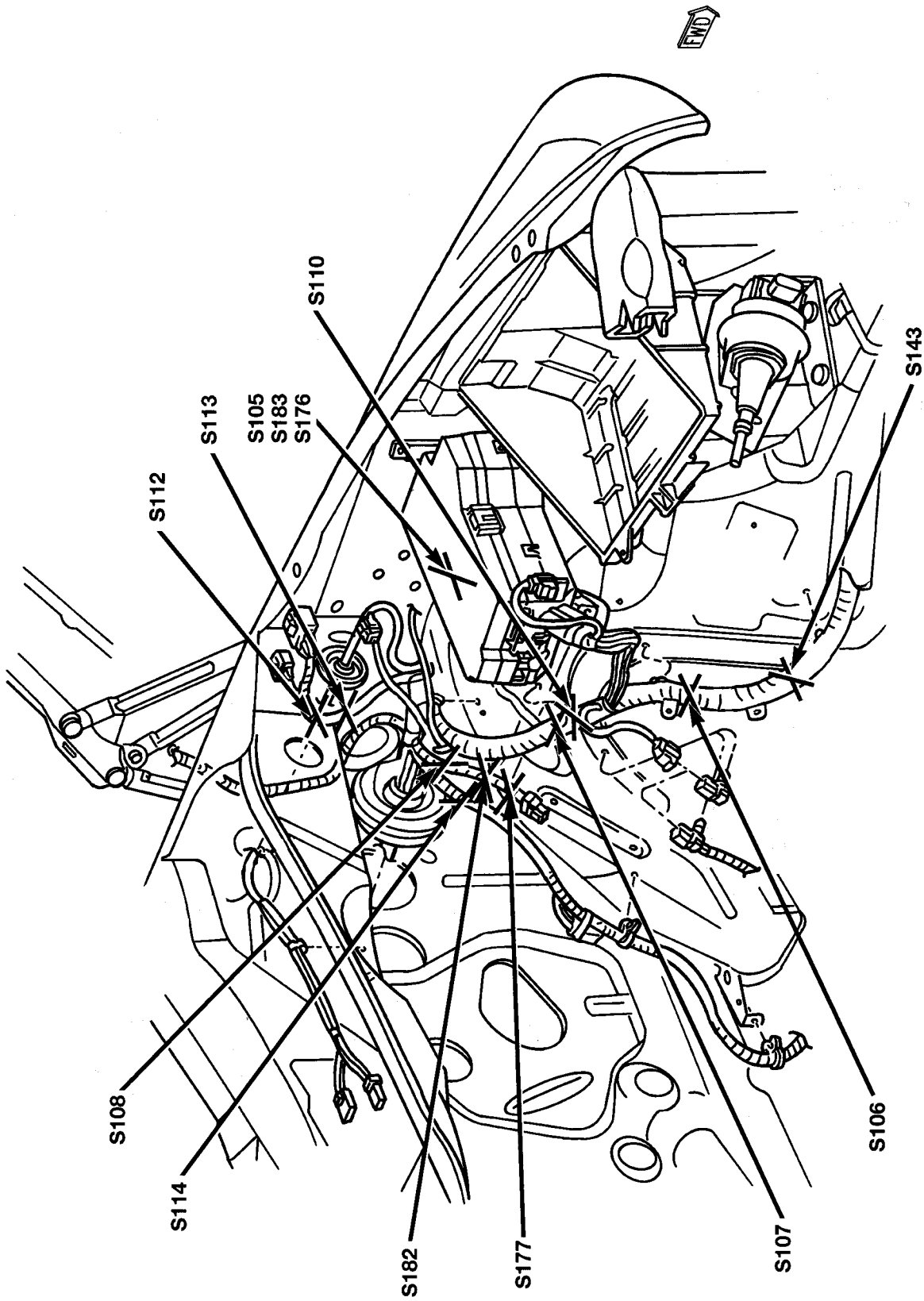


Fig. 7 Left Side Engine Compartment

DESCRIPTION AND OPERATION (Continued)

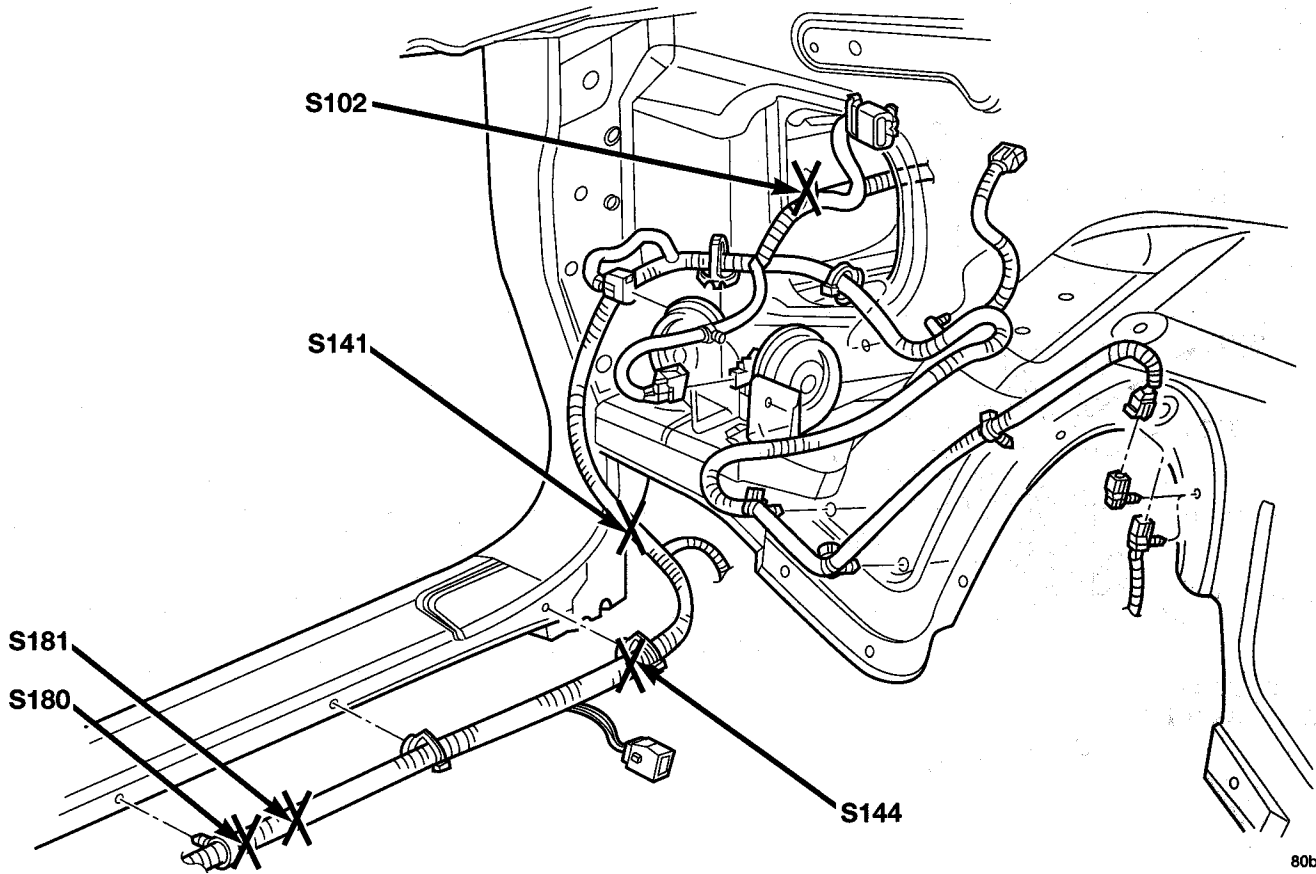


Fig. 8 Right Fender Side Shield

80be47c4

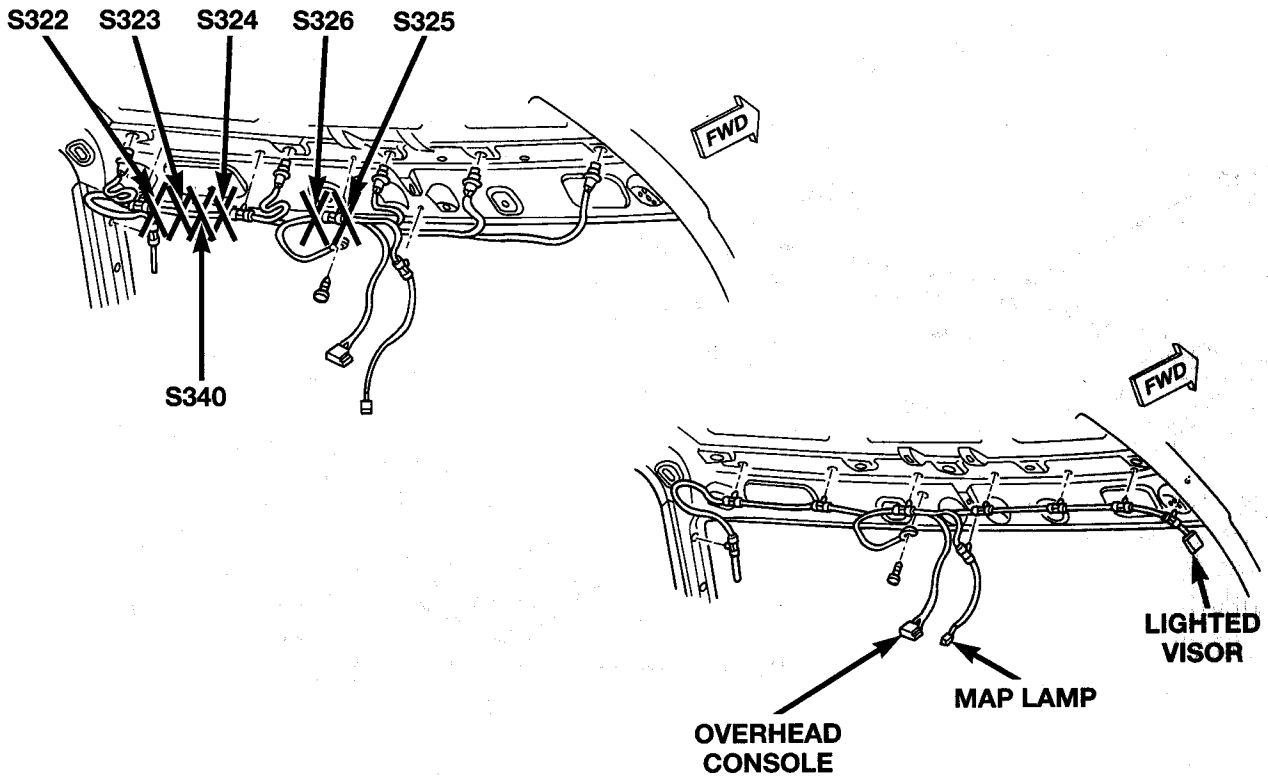


Fig. 9 Overhead Console

80be47c5

DESCRIPTION AND OPERATION (Continued)

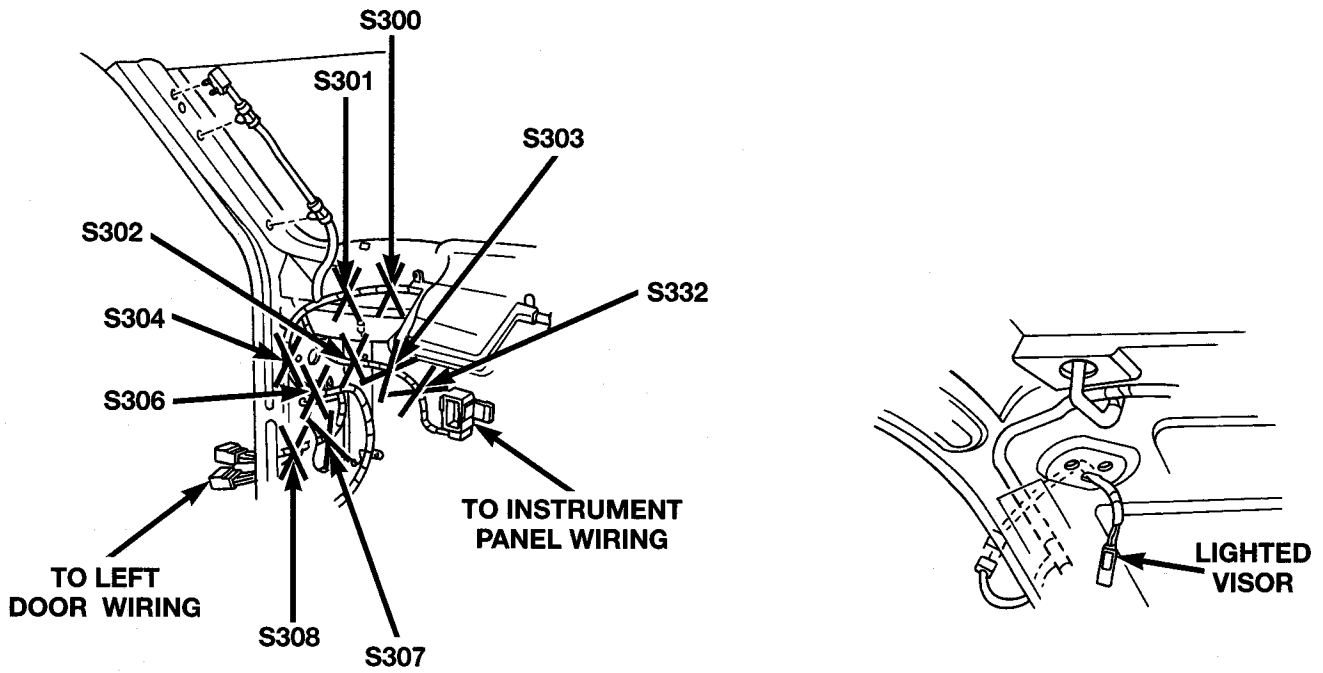


Fig. 10 Left Cowl Panel

80be47c6

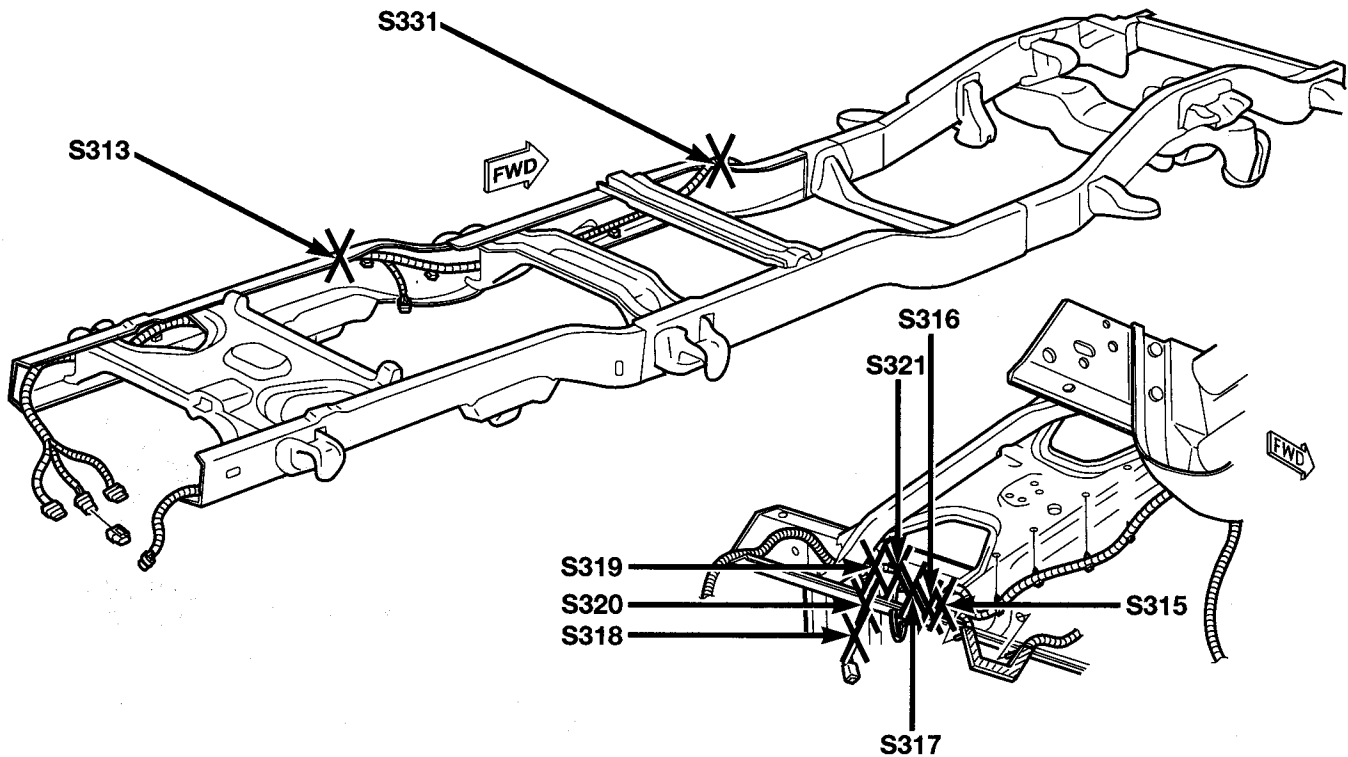


Fig. 11 Chassis

80be47c7

DESCRIPTION AND OPERATION (Continued)

80b96cad

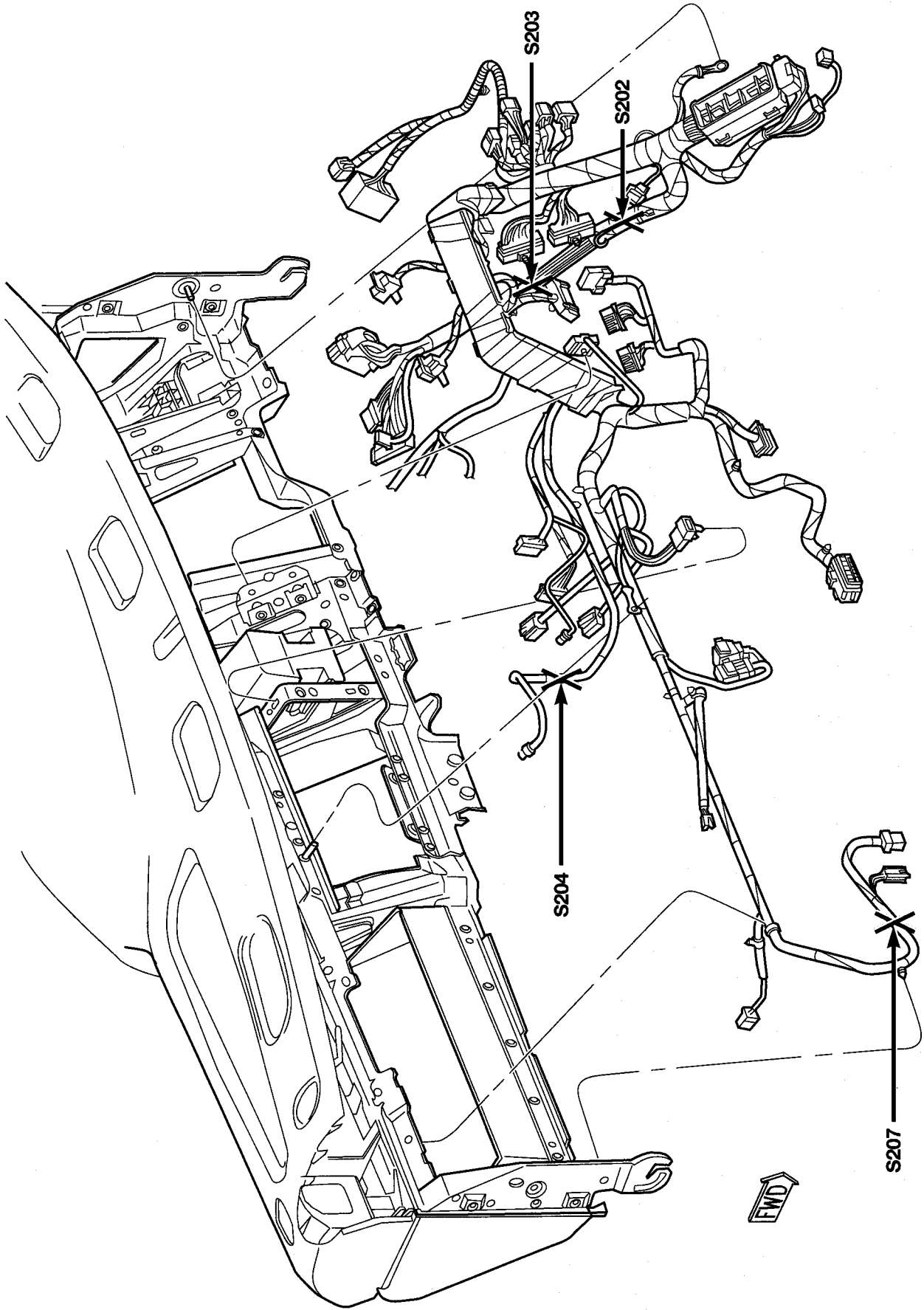


Fig. 12 Instrument Panel

